

McHale

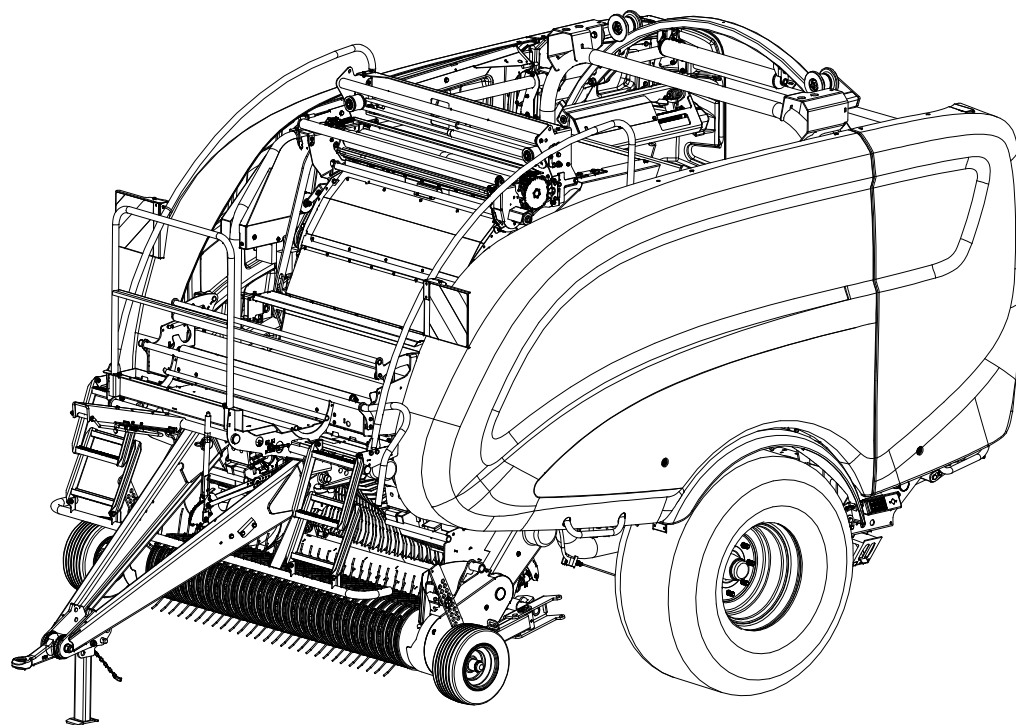
FUSION⁴ PLUS



QUALITY

I.S. EN ISO 9001:2015

NSAI Certified



FUSION 4 PLUS Spare Parts Book

McHale,
Ballinrobe,
Co. Mayo, Ireland.

Tel: +353 94 9520300

Fax: +353 94 9520356

Email: sales@mchale.net

Website: www.mchale.net

This page is intentionally left blank

Introduction

The **McHale FUSION 4 PLUS** which you have purchased has been developed through years of constant research and development. Given proper care and attention the **FUSION 4 PLUS** will give years of reliable and dependable performance. However it is important that the operators manual is read and fully understood to achieve this, **before** the machine is operated. As part of this philosophy it is vital to use only **genuine McHale** replacement parts, as these are manufactured to the same high standard as the original machine. These may be obtained through your **McHale** dealer.

If any part of this manual is not fully understood, please contact your **McHale** dealer who will be able to answer any questions or queries that you might have. It is important to quote the machine serial number when requiring spare parts or technical assistance. Space is provided below to record the machine details:

Serial number:	
Year of manufacture:	
Date of delivery:	

If you require further copies of this spare parts manual please
quote part number CLT01378

Note: Parts described as left and right are done so according to the direction that the machine normally travels in.

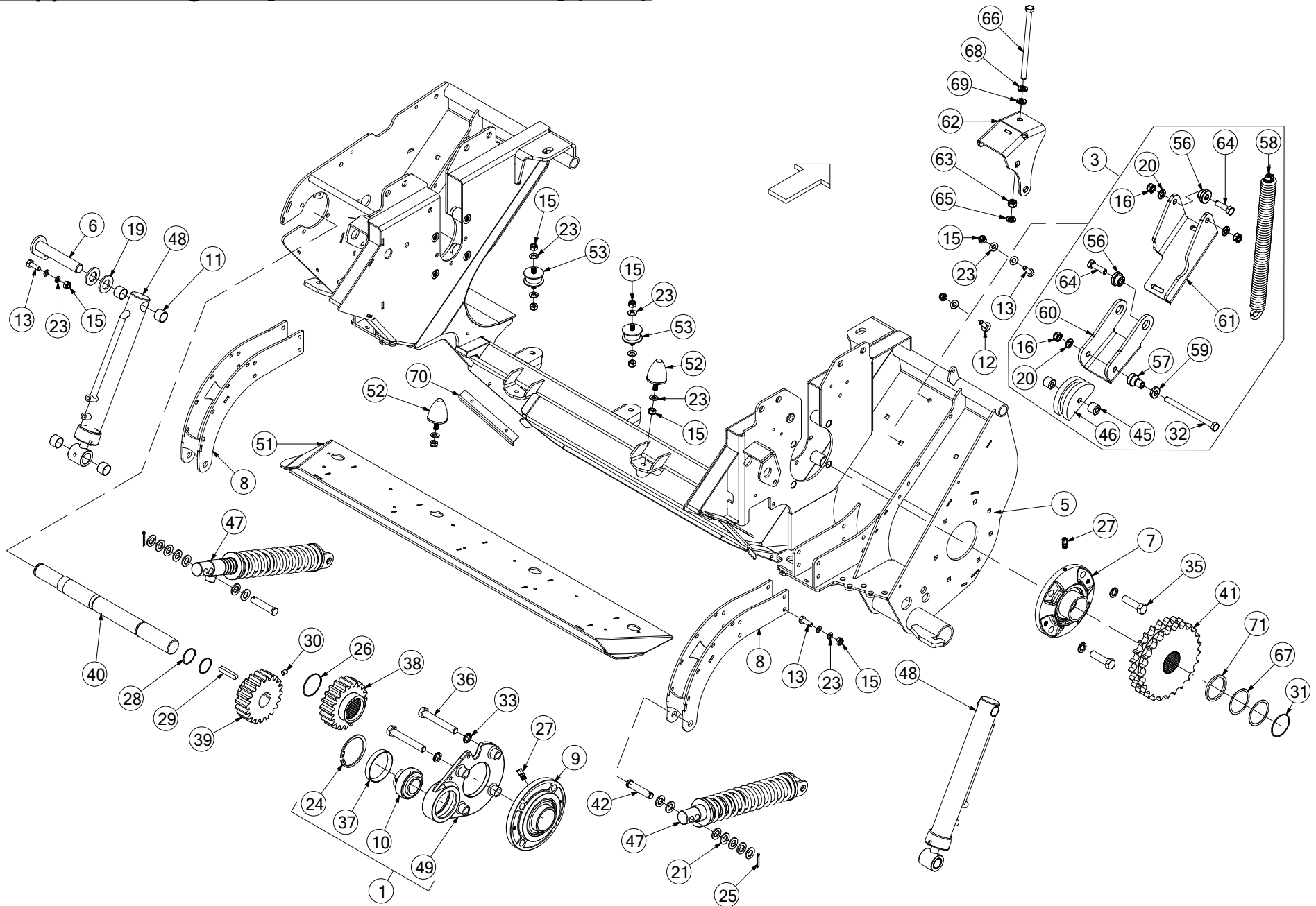
Note: Due to a policy of continuous product development and improvement *McHale Engineering* reserve the right to alter machine specifications without prior notice.

Contents

Section	Page	Document	Section	Page	Document
Pick-up & chopper unit			Chassis		
Chopper housing rear [From Serial No 669300] (1462)	6	SPD01462	Axle Air-brake (942)	50	SPD00942
Chopper housing front [From Serial No 669300] (1463)	8	SPD01463	Air brake kit [From Serial No 666414 (F3) & 900780 (Vario)] (1420)	52	SPD01420
Rotor [25 Knife Std - From Serial No 669300] (1464)	10	SPD01464	Wheels & Mudguards (813)	54	SPD00813
Rotor [7-Knife 2-Star HD Option - From Serial No 669300] (1465)	12	SPD01465	Chains & Belts [From Serial No 669300] (1450)	56	SPD01450
Drop floor suspension [Standard] (1466)	14	SPD01466	Spare film holders (1280)	58	SPD01280
Drop floor suspension [Selectable] (1467)	16	SPD01467	Panels Frame (1451)	60	SPD01451
Pick-up reel shaft [Camtrack] (805)	18	SPD00805	Panels LH (1452)	62	SPD01452
Pick-up reel chassis [Camtrack] (1468)	20	SPD01468	Panels RH (1453)	64	SPD01453
Pick-up reel shaft [Camless] (1469)	22	SPD01469	Bale chamber		
Pick-up reel chassis [Camless] (1470)	24	SPD01470	Front chamber (1376)	66	SPD01376
Crop Roller Single [Spring tines] (1479)	26	SPD01479	Bottom chamber door [Idle side] (1228)	68	SPD01228
Crop roller double [Camless] (966)	28	SPD00966	Bottom chamber door [Drive side] (1229)	70	SPD01229
PTO shaft & Gearbox			Top chamber door [Idle side] (1230)	72	SPD01230
PTO Shaft 540rpm HD [From Serial No 662277 & 900212] (1204)	30	SPD01204	Top chamber door [Drive side] (1231)	74	SPD01231
PTO Shaft 1000rpm (1145)	32	SPD01145	Chain Tensioners (1454)	76	SPD01454
Gearbox 1 (1471)	34	SPD01471	NRF angles [From Serial No 662450] (1311)	78	SPD01311
Gearbox 2 [540 RPM] (490)	36	SPD00490	Slatted Roller (1258)	80	SPD01258
Gearbox 3 [1000 RPM] (1132)	38	SPD01132	Roller [Short Shaft] (1260)	82	SPD01260
Chassis			Roller [Short Shaft] (1259)	84	SPD01259
Drawbar HD (1490)	40	SPD01490	Roller [Long Shaft] (1444)	86	SPD01444
Screw jack & Handbrake (812)	42	SPD00812	Roller [Long Shaft] (1261)	88	SPD01261
Steps & Platform (1489)	44	SPD01489	Roller [Long Shaft] (1445)	90	SPD01445
Chassis (1449)	46	SPD01449	NRF Netter unit		
Axle Hyd-brake (941)	48	SPD00941	NRF Netter unit 1 (1455)	92	SPD01455
			NRF Netter unit 2 [from Serial No 657407] (893)	94	SPD00893
			NRF Netter brake (1475)	96	SPD01475
			Film Gathering Unit (1456)	98	SPD01456

Section	Page	Document	Section	Page	Document
NRF Netter unit			Lube oil & grease		
Film stretch unit (1488)	100	SPD01488	Oil & Grease Systems 3 (1458)	150	SPD01458
Net box feed kit option [From Serial No 664027] (1127)	102	SPD01127	Oil & Grease systems 4 (555)	152	SPD00555
Net knife hyd reset (1461)	104	SPD01461	Oil & Grease systems 5 (556)	154	SPD00556
Net-NRF roll loading device (1130)	106	SPD01130	Electrics		
Wrapping			ISOBUS Control 1 [From Serial No 670000] (1425)	156	SPD01425
Transfer & front wrapping rollers (1000)	108	SPD01000	ISOBUS Control 2 (1457)	158	SPD01457
Rear wrapping cradle (954)	110	SPD00954	Electrical Lighting (1460)	160	SPD01460
Dispenser ring (980)	112	SPD00980	Camera & monitor kit (1079)	162	SPD01079
Dispenser ring brake (981)	114	SPD00981	Decals		
Dispenser 1 (1275)	116	SPD01275	Decals 1 (1282)	164	SPD01282
Dispenser 2 (1276)	118	SPD01276	Decals 2 (1446)	166	SPD01446
Cut & Hold LH (814)	120	SPD00814	Decals 3 (1447)	168	SPD01447
Cut & Hold RH (532)	122	SPD00532			
Side tip [From Serial No 657661] (894)	124	SPD00894			
Hydraulics					
Hydraulic components (1198)	126	SPD01198			
Hydraulic layout [From Serial No 659744] (975)	128	SPD00975			
Valve main control (937)	130	SPD00937			
Valve knives & floor (1472)	132	SPD01472			
Valve knives & floor [Selectable] (701)	134	SPD00701			
Valve rotation & tip (970)	136	SPD00970			
Valve chamber door (974)	138	SPD00974			
Rams chamber door (884)	140	SPD00884			
Rams pick-up reel (182)	142	SPD00182			
Rams cut & hold (549)	144	SPD00549			
Rams bale tip cradle (551)	146	SPD00551			
Lube oil & grease					
Oil & Grease systems 1&2 (1480)	148	SPD01480			

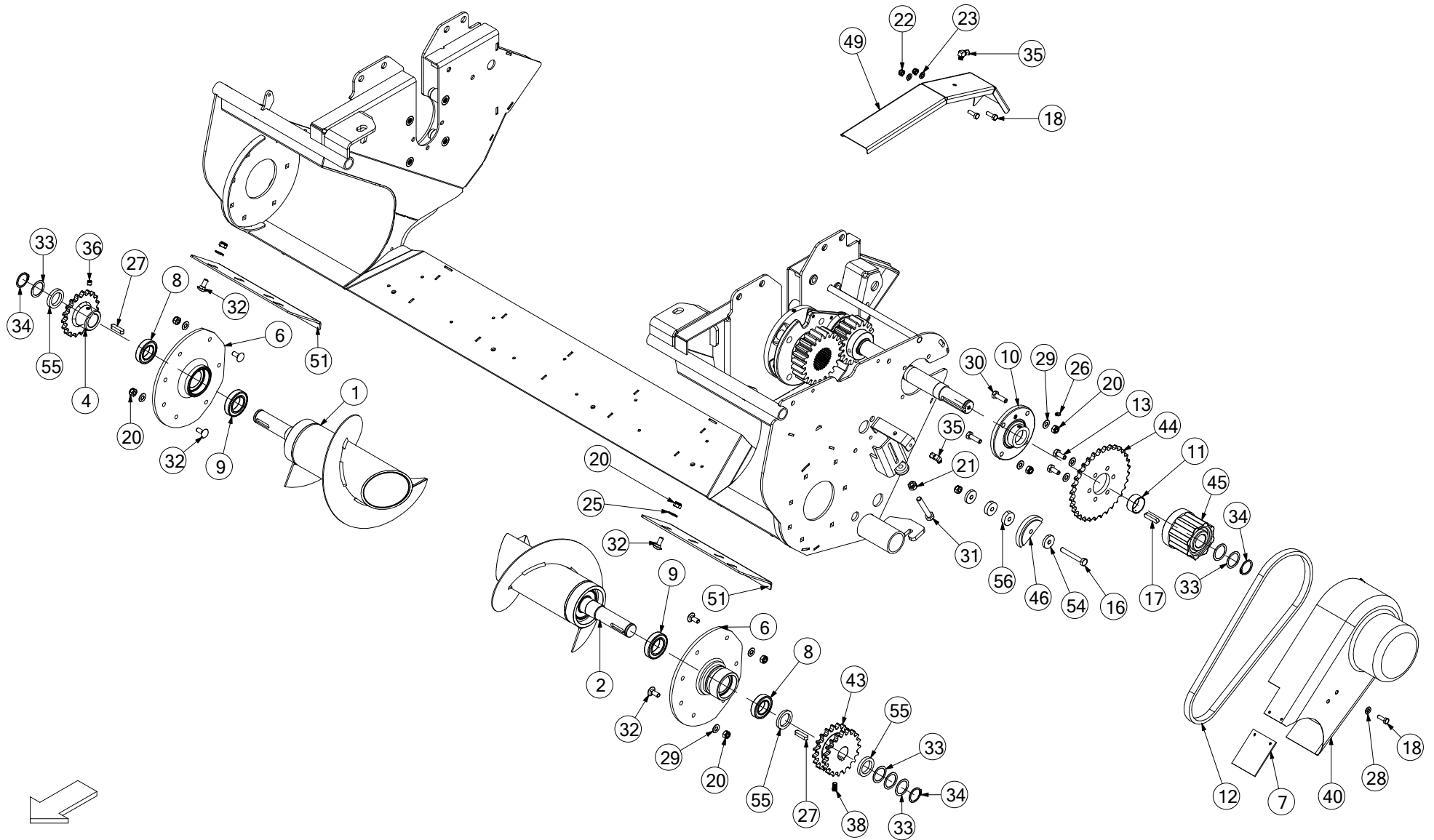
Chopper housing rear [From Serial No 669300] (1462)



No.	Part No	Description	Qty
1	ACH00331	BEARING HOLDER ASSY	1
3	ACH03209	DUPLEX CHAIN TENSIONER CHOPPER AUGERS FORWARD	1
5	ACH00714	CHOPPER UNIT WELD AUGERS FORWARD	1
6	ALA00247	DROP FLOOR RAM PIN Z/P	2
7	ARC00532	ROTOR BEARING ASSY 70MM SHAFT	1
<i>COMPLETE ASSEMBLY</i>			
8	APU00087	CHOPPER UNIT REEL RAM BRACKET	2
9	ARC00067	ROTOR BEARING HOUSING ASSY	1
10	CBR00093	BEARING INSERT INA GYE 40 KRRB	1
11	CBR00101	BEARING GLACIER PM 2525 DX	8
12	CFA00017	SETSCREW M10X30 CUP SQ Z/P	1
13	CFA00025	SETSCREW M10X30	19
15	CFA00123	NUT M10 NYLOC	43
16	CFA00124	NUT M12 NYLOC	3
19	CFA00135	WASHER FLAT 1" Z/P	4
20	CFA00138	WASHER FLAT 12MM Z/P	4
21	CFA00140	WASHER FLAT 16MM Z/P	16
23	CFA00201	WASHER FLAT 10 MM Z/P	58
24	CFA00232	CIRCLIP 85MM INTERNAL	1
25	CFA00450	SPLIT PIN 4 X36 Z/P	2
26	CFA00513	CIRCLIP 60MM EXTERNAL	1
27	CFA00550	ROTOR BEARING GREASE FITTING	2
28	CFA00551	CIRCLIP 40MM EXTERNAL	2
29	CFA00558	KEY 12X8X60	1
30	CFA00559	GRUBSCREW M10X12	1
31	CFA00576	CIRCLIP 70MM EXTERNAL DIN471	1
32	CFA00747	BOLT M12X170Z/P	1
33	CFA00783	WASHER NL16 NORD-LOCK	8
35	CFA00786	BOLT M16X60 Z/P DIN931 GRADE 10.9	4
36	CFA00787	BOLT M16X100 Z/P DIN931 GRADE 10.9	4
37	CMH00245	BEARING RETAINER 1040 35MM	1
38	CMH03228	GEAR SPUR MOD6 22T SPLINED	1
39	CMH03227	GEAR SPUR MOD6 18T 40MM ID	1
40	CMH00657	SHAFT 40 X 480.5 STEPPED	1
41	CMH03244	SPROCKET 1" PITCH 38T DUPLEX	1
42	CMH00961	PIN CLEVIS 16X80 & DIA 4 C.HOLE	2
45	CMH01110	BUSH 12X25X19.5	2
46	CPL00327	16B DUPLEX CHAIN GUIDE PIECE	1
47	CRA00296	RAM PICK UP (CAMLESS) 2020	2
48	CRA00193	RAM CHOPPER FLOOR 20X40 BW	2
49	CTP00391	BEARING HOLDER ASSY SPUR GEARS	1
<i>REPLACES ACH00330</i>			
51	ACH00717	CHOPPER CHASSIS INTAKE PLATE	1
52	CBE00344	BUFFER RUBBER 50X58 M10/28 68SH	3
53	CBE00345	RUBBER BUFFER 50X26 M10	4
56	CMH00771	BUSH 12X35 STEPPED	2
57	CMH01894	BUSH 12X30X40 Z/P	1
58	CSG00318	SPRING EXT 7X38.5 OD X 375	1
59	CZF08737	6MM WASHER 12.5X28	1

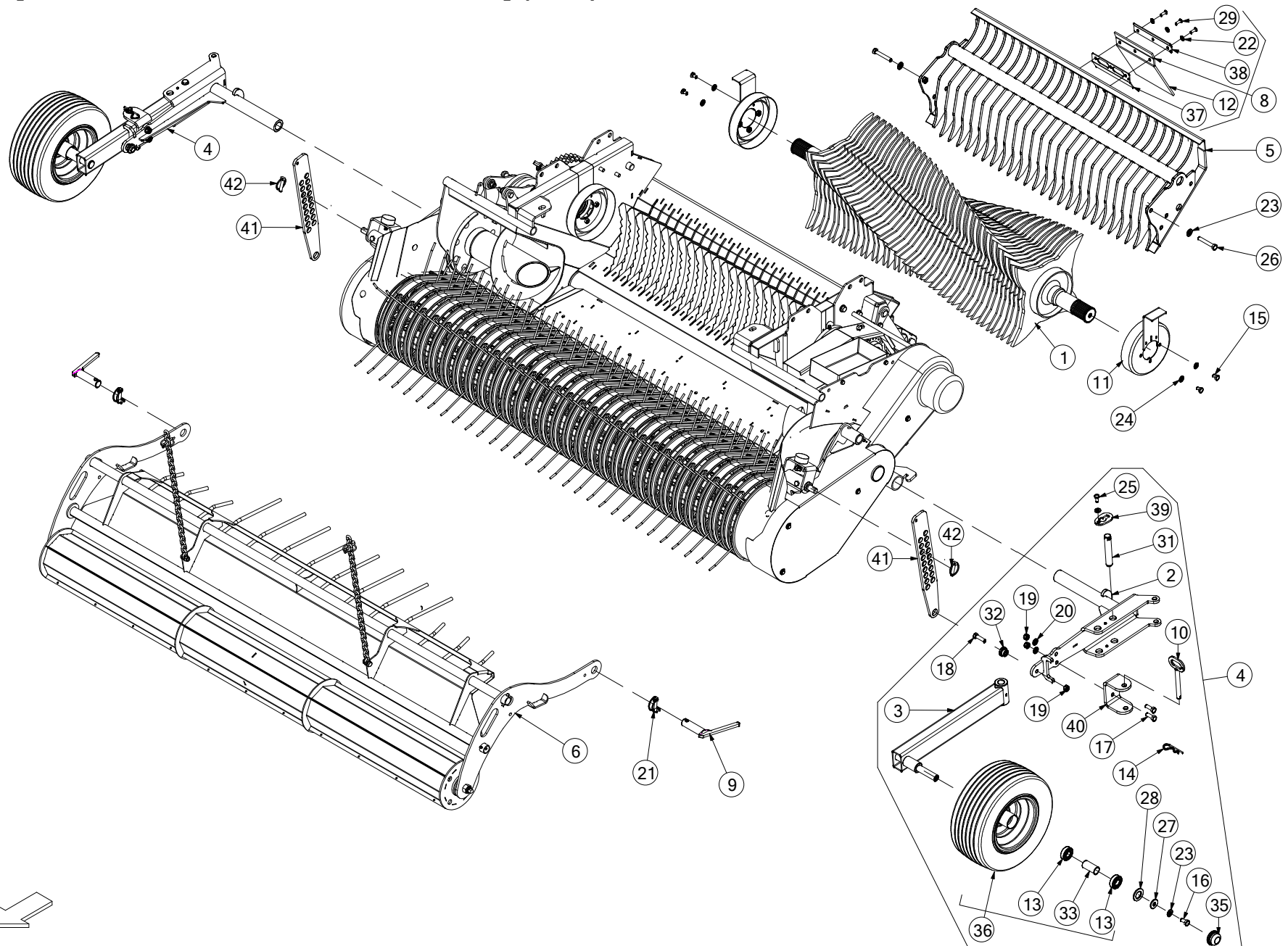
60	CZG00044	8MM L CHAIN TENSIONER PLATE CHOPPER UNIT	1
61	CZG00023	8MM L TENSIONER PLATE	1
62	ALA01025	SPRING BRACKET ROTOR CHAIN TENSIONER	1
63	CFA00014	NUT M12	1
64	CFA00079	BOLT M12X45 Z/P	2
65	CFA00250	WASHER SKM12	1
66	CFA01164	BOLT SETSCREW M12X200 Z/P	1
67	CFA02458	SHIM 70X90X1	2
68	CFA02489	WASHER 13MM SPHERICAL DIN 6319 C	1
69	CFA02490	CONICAL SEAT 14.2MM DIN 6319 D	1
70	CZB04922	1.5MM L HOSE PLATE	2
71	CZF00535	6MM L WASHER 70.5X92X6	1

Chopper housing front [From Serial No 669300] (1463)



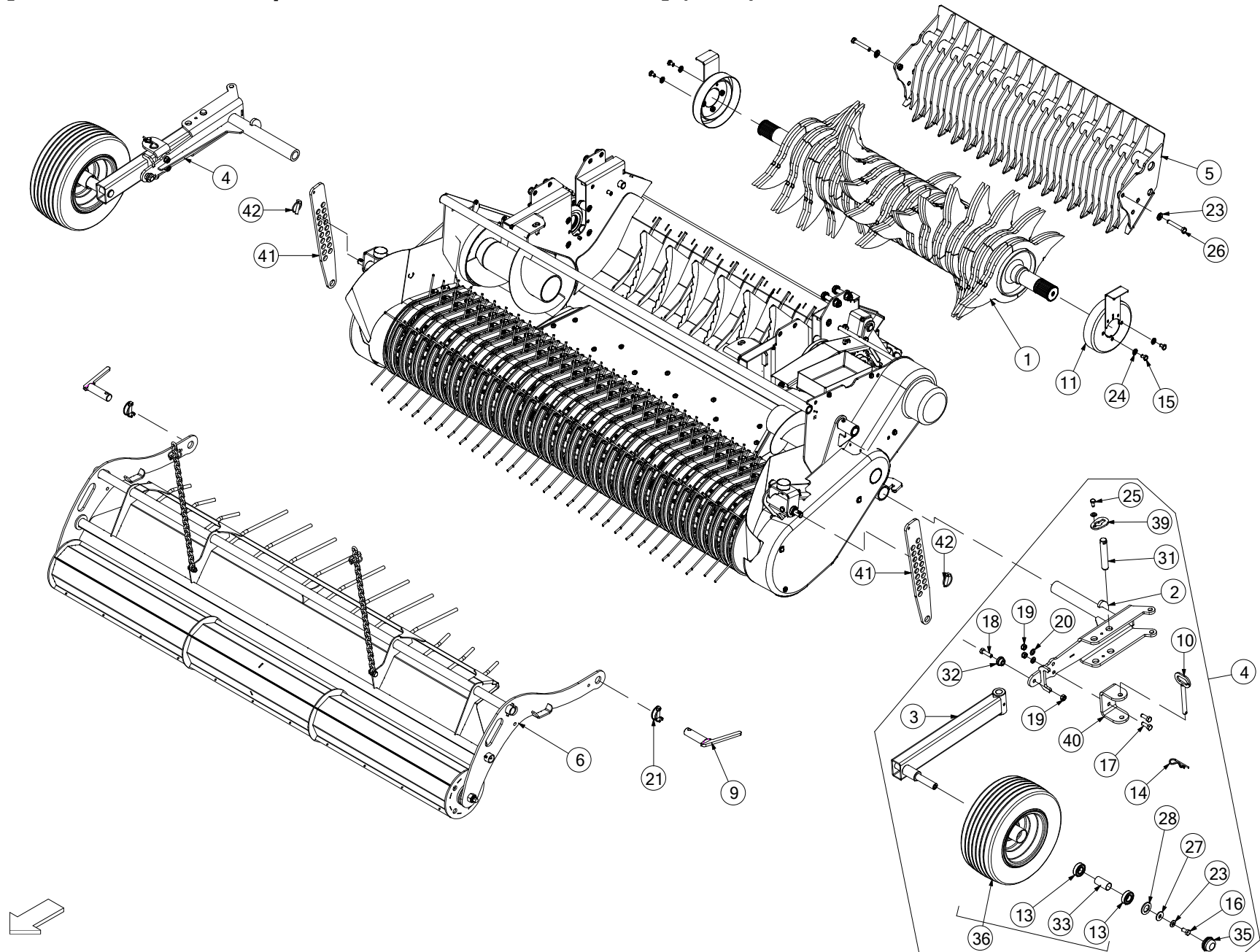
No.	Part No	Description	Qty
1	ACH00716	AUGER WELD ASSEMBLY RH SHORT (AF)	1
2	ACH00719	AUGER WELD ASSEMBLY LH SHORT (AF)	1
4	ARC00431	SPROCKET 15T AUGER ASM (RIGHT)	1
6	CTP00808	CHOPPER UNIT AUGER HOUSING (EXTERNAL)	2
7	CBE00033	RUBBER 120X80 CHAIN GUARD BALER	1
8	CBR00001	BEARING 6007 2RS	2
9	CBR00076	BEARING 6008 2RS	2
10	CBR00104	BEARING INA TME 40 GE 40 KPPB3	1
11	CBR00268	BEARING GLACIER DU 4	1
12	CCH02061	CHAIN ASA60H 66 PITCH+CON LINK	1
13	CFA00024	SETSCREW M10X25 Z/P	6
16	CFA00075	BOLT M10X75 Z/P	1
17	CFA00081	KEY 10X8X45	1
18	CFA00102	SETSCREW M8X25 Z/P	3
20	CFA00123	NUT M10 NYLOC	28
21	CFA00125	NUT M12 Z/P	1
22	CFA00132	NUT M8 NYLOC Z/P	2
23	CFA00147	WASHER FLAT 8MM Z/P	2
25	CFA00201	WASHER FLAT 10 MM Z/P	10
26	CFA00217	GREASE NIPPLE M6X1.0 ST	1
27	CFA00046	KEY 10X8X35	2
28	CFA00249	WASHER SKM8	1
29	CFA00251	WASHER SKM10	24
30	CFA00311	SETSCREW M10X35 Z/P	4
31	CFA00330	BOLT M12X80 Z/P	1
32	CFA00442	SETSCREW M10X25 CUP SQ	22
33	CFA00512	SHIM 35X45X1.0 Z/P	4
34	CFA00514	CIRCLIP 35MM EXTERNAL	3
35	CFA00542	OILER FITTING 90 DEG 1/8 BSP	2
36	CFA00559	GRUBSCREW M10X12	1
38	CFA00625	M10 x 20 GRUBSCREW	1
40	AGD00185	CHAIN GUARD PICKUP CLUTCH (AF)	1
		<i>INCLUDES ITEM 7</i>	
43	CMH00227	SPROCKET 3/4"PITCH 15T DOUBLE	1
44	CMH00727	PLATEWHEEL 3/4" PITCH 32T	1
45	CMT00063	CLUTCH STANDARD PICK-UP	1
		<i>STANDARD PICK-UP</i>	
45	CMT00381	CLUTCH CAMLESS (602175) EK34B	1
		<i>CAMLESS PICK-UP</i>	
45a	CMH02697	CAMLESS CLUTCH RETAINING BUSH	1
		<i>CAMLESS PICK-UP</i>	
45b	CFA02319	BOLT M10X30 SOC CAP 8.8 Z/P	1
		<i>CAMLESS PICK-UP</i>	
46	CPL00043	PLASTIC CHAIN TENSIONER (REEL)	1
49	CZB02160	1.5MM L SPUR GEAR GUARD BALER	1
51	CZD04303	4MM L AUGER CLEANING PLATE (AUGERS FORWARD)	2
54	CZF09260	6MM L WASHER CAMTRACK CHAIN TENSIONER	2
55	CZG02115	8MM L AUGER SPACER	3
56	CZH02584	10MM L WASHER 40X10.5 Z/P	2

Rotor [25 Knife Std - From Serial No 669300] (1464)



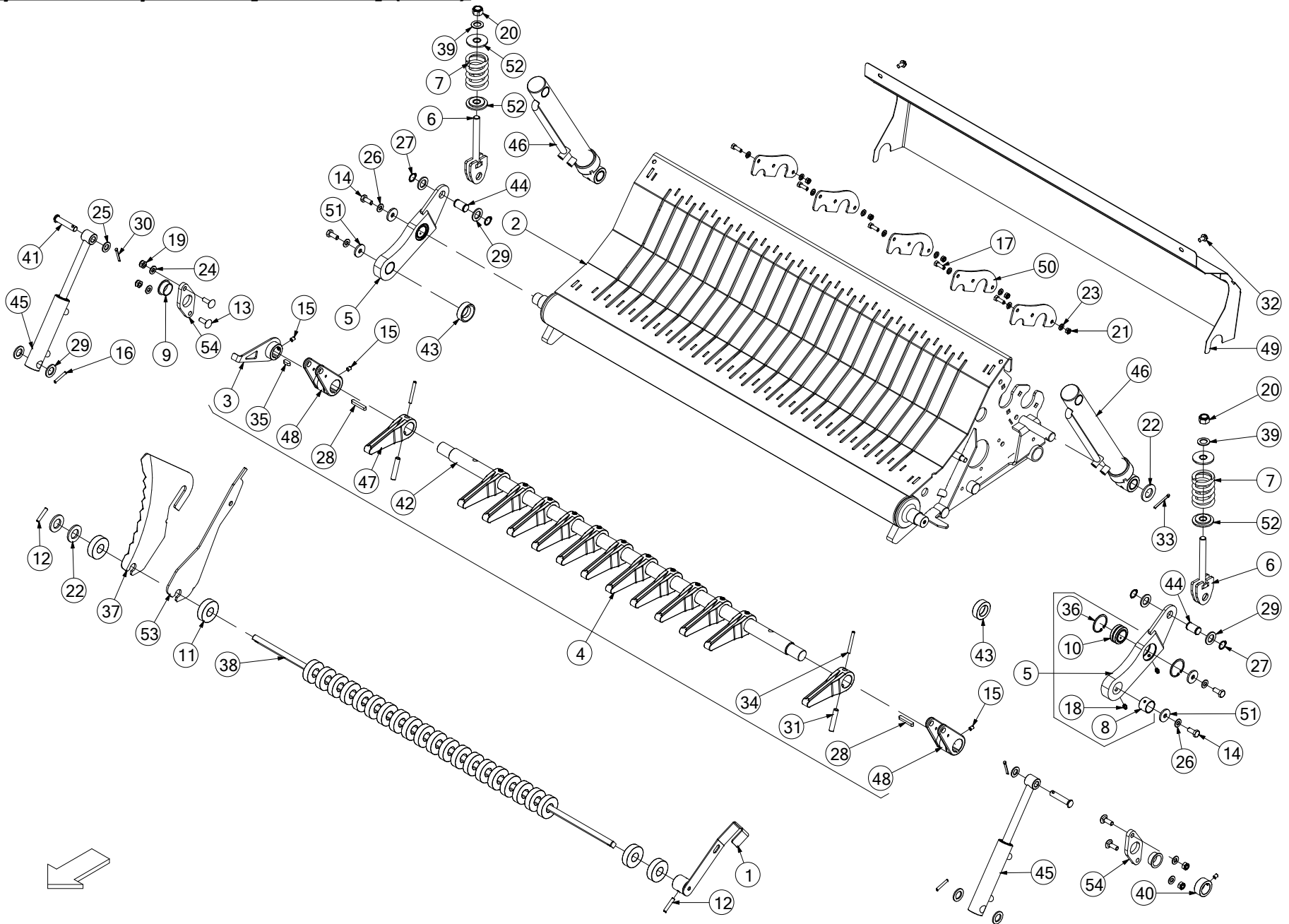
No.	Part No	Description	Qty
1	ACH00721	ROTOR 25 KNIFE 70MM SPLINE DRIVE	1
1a	CZF07132	6MM L ROTOR PLATE 540 OD	2
<i>REPLACEMENT (ACH01448) ROTOR FINGER PLATE (NOTE: THERE ARE 2 FINGER PLATES PER FLIGHT)</i>			
2	ACH00908	PICKUP WHEEL HINGE WELD ASSY	2
3	ACH00909	PICKUP GUIDE WHEEL WELD ASSY	2
4	ACH00911	PICKUP GUIDE WHEEL COMP ASSY	2
5	ACH01649	COMB 25K FUSION 3 & FUS 3 PLUS	1
6	ARC00540	CROP ROLLER ASY AUGERS FORWARD	1
8	AGD00086	RUBBER FLAP ASSEMBLY FUSION 3 COMB	1
<i>USED ONLY ON FUSION PLUS COMB (KIT INCLUDES FLAP, FASTENERS & INSTRUCTIONS)</i>			
9	ALA00035	HINGE PIN REEL FRONT	2
10	ALA00036	PIN WHEEL HINGE ASSY.	2
11	ARC00227	GRASS GUARD 23K ROTOR END SPUN	2
12	CBE00423	BELT FLAP 6X200X278 3 PLY (EP400)	1
<i>REPLACEMENT BELT FLAP (USED ON FUSION PLUS COMB ONLY)</i>			
13	CBR00009	BEARING 6205 2RS	4
14	CFA00004	R-CLIP 4MM	2
15	CFA00022	SETSCREW M10X16 Z/P	6
16	CFA00031	SETSCREW M12X25 Z/P	2
17	CFA00033	SETSCREW M12X35 Z/P	4
18	CFA00079	BOLT M12X45 Z/P	2
19	CFA00124	NUT M12 NYLOC	6
20	CFA00138	WASHER FLAT 12MM Z/P	4
21	CFA00194	LINCH PIN PIPE 10MMX50MM	2
22	CFA00249	WASHER SKM8	4
23	CFA00250	WASHER SKM12	6
24	CFA00251	WASHER SKM10	26
25	CFA00023	SETSCREW M10X20 Z/P	2
26	CFA00777	BOLT M12X80 GRADE 10.9 S/C	4
27	CFA00718	WASHER FLAT 12MM DIN 9021 Z/P	2
28	CFA00720	WASHER FLAT M26 ZP DIN126	2
29	CFA00274	BOLT M8X25 BTN HEAD SOC CAP Z/P	3
31	CMH00675	PIN 25 X 140 MILLED FOR CAP Z/P	2
32	CMH00771	BUSH 12X35 STEPPED	2
33	CMH00838	BUSH 27X30.25X62 REEL WHEEL	2
35	CTP00070	DUST CAP 170/60-8 VREDESTEIN	2
36	CWH00037	WHEEL 170/60-8 V64+ 6PLY PICK-UP	2
<i>WHEEL ASM INCLUDES BUSHING & BEARINGS</i>			
37	CZC02709	3MM RUBBER FLAP MOUNTING PART	1
<i>USED ON FUSION PLUS COMB ONLY</i>			
38	CZC02710	3MM RUBBER FLAP MOUNTING PART	1
<i>USED ON FUSION PLUS COMB ONLY</i>			
39	CZF00293	6MM L CAP SHORT FOR 25MM PINS	2
40	CZH02472	10MM L WHEEL GUIDE PART	2
41	CZH02522	10MM L WHEEL GUIDE PART	2
42	CFA00005	LINCH PIN 10MM	2

Rotor [7-Knife 2-Star HD Option - From Serial No 669300] (1465)



No.	Part No	Description	Qty
1	ACH00729	ROTOR KOREAN 2 STAR 7K 70MM DRIVE SPLINE	1
1a	CZI01003	12MM L BIG ROTOR PLATE 2 STAR (KOREA)	2
		<i>REPLACEMENT (ACH02958) ROTOR FINGER PLATE (NOTE: THERE ARE 2 FINGER PLATES PER FLIGHT)</i>	
2	ACH00908	PICKUP WHEEL HINGE WELD ASSY	2
3	ACH00909	PICKUP GUIDE WHEEL WELD ASSY	2
4	ACH00911	PICKUP GUIDE WHEEL COMP ASSY	2
5	ACH01525	COMB FUS3 (15K 2STAR HD V ROTOR)	1
6	ARC00540	CROP ROLLER ASY AUGERS FORWARD	1
9	ALA00035	HINGE PIN REEL FRONT	2
10	ALA00036	PIN WHEEL HINGE ASSY.	2
11	ARC00182	ROTOR SEAL RING ASM (KOREA) M1	2
13	CBR00009	BEARING 6205 2RS	4
14	CFA00004	R-CLIP 4MM	2
15	CFA00022	SETSCREW M10X16 Z/P	6
16	CFA00031	SETSCREW M12X25 Z/P	2
17	CFA00033	SETSCREW M12X35 Z/P	4
18	CFA00079	BOLT M12X45 Z/P	2
19	CFA00124	NUT M12 NYLOC	6
20	CFA00138	WASHER FLAT 12MM Z/P	4
21	CFA00194	LINCH PIN PIPE 10MMX50MM	2
23	CFA00250	WASHER SKM12	6
24	CFA00251	WASHER SKM10	26
25	CFA00293	SETSCREW M10X20 Z/P	2
26	CFA00777	BOLT M12X80 GRADE 10.9 S/C	4
27	CFA00718	WASHER FLAT 12MM DIN 9021 Z/P	2
28	CFA00720	WASHER FLAT M26 ZP DIN126	2
31	CMH00675	PIN 25 X 140 MILLED FOR CAP Z/P	2
32	CMH00771	BUSH 12X35 STEPPED	2
33	CMH00838	BUSH 27X30.25X62 REEL WHEEL	2
35	CTP00070	DUST CAP 170/60-8 VREDESTEIN	2
36	CWH00037	WHEEL 170/60-8 V64+ 6PLY PICK-UP	2
		<i>WHEEL ASM INCLUDES BUSHING & BEARINGS</i>	
39	CZF00293	6MM L CAP SHORT FOR 25MM PINS	2
40	CZH02472	10MM L WHEEL GUIDE PART	2
41	CZH02522	10MM L WHEEL GUIDE PART	2
42	CFA00005	LINCH PIN 10MM	2

Drop floor suspension [Standard] (1466)



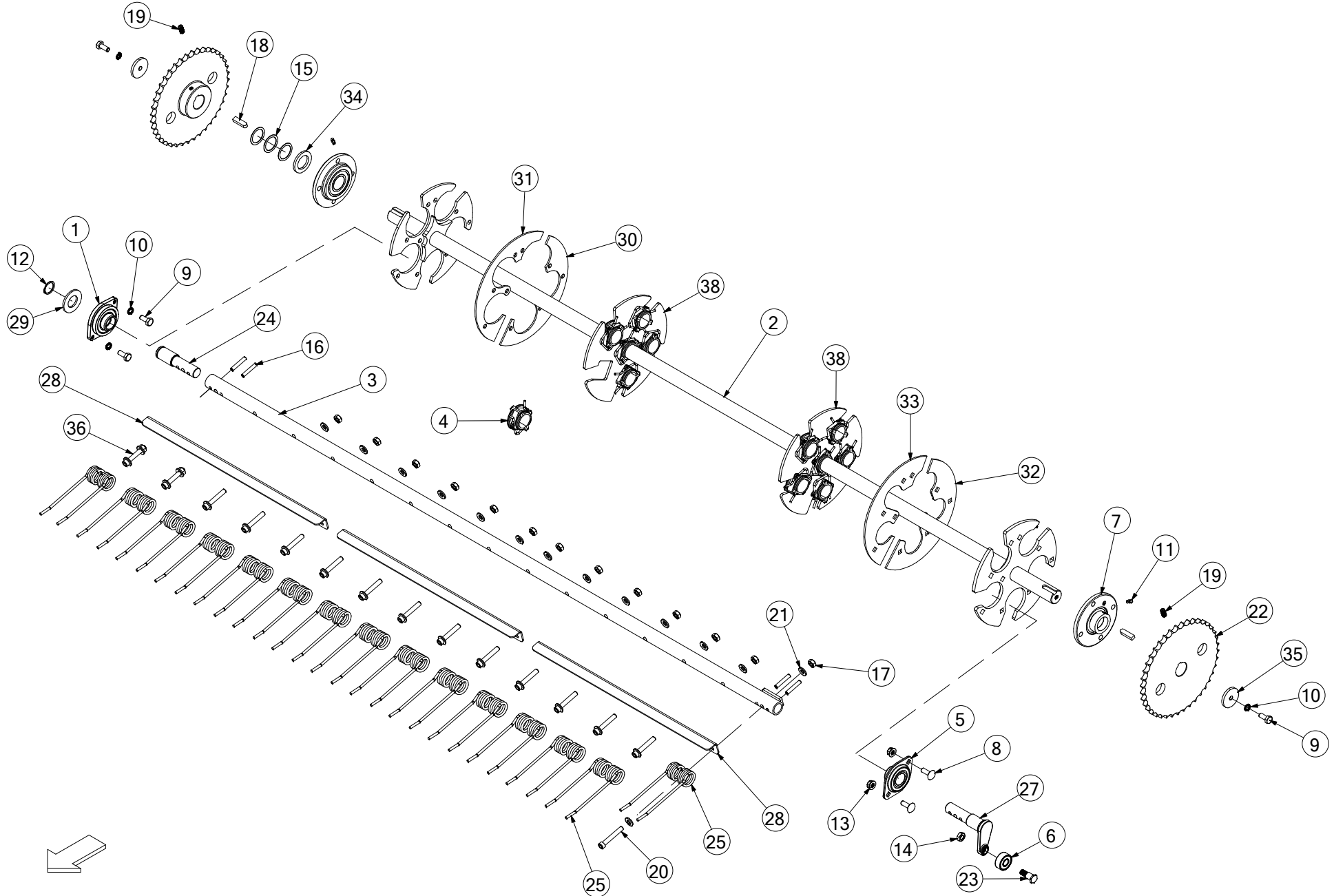
No.	Part No	Description	Qty
1	ACH00323	KNIFE RELEASE LEVER ASSY	1
2	ACH00724	SUSPN FLOOR WELD 25K (AUGERS FORWARD)	1
		25K SUSPENSION FLOOR (AS SHOWN)	
2	ACH00731	DROP FLOOR 15K WELD ASSY (AUGERS FORWARD)	1
		15K SUSPENSION FLOOR (NOT SHOWN)	
3	CTP00553	SENSOR READOUT KNIFE ARM	1
		REPLACES ACN00147	
4	ALA00790	25 KNIFE BAR COMP ASM BIG ROTOR	1
4	ALA00822	15 KNIFE ARM COMP ASM BIG ROTOR	1
5	ALA00789	LINK ARM ASSY DROP FLOOR	2
		REPLACES ALA00751	
6	CTP00536	FLOOR SUSPENSION SPRING TENSIONER BRCKT	2
7	CSG00341	SPRING COMPRESSION 10X66X90 PAINTED	2
8	CBR00007	BEARING GLACIER PM 3025 DX	2
9	CBR00068	BEARING 30X34X16 STEPPED PLASTIC	2
10	CBR00127	BEARING SPHERICAL 30MM GE30ES 2RS	2
11	CEL00154	MAGNET 60 X24 X 17	25
12	CFA00009	ROLL PIN 8X40	2
13	CFA00017	SETSCREW M10X30 CUP SQ Z/P	4
14	CFA00024	SETSCREW M10X25 Z/P	4
15	CFA00051	GRUBSCREW M8X10	4
16	CFA00073	ROLL PIN 6X40	2
17	CFA00102	SETSCREW M8X25 Z/P	15
18	CFA00118	GREASE NIPPLE M8X1.25 STRAIGHT	8
19	CFA00123	NUT M10 NYLOC	4
20	CFA00128	NUT M16 NYLOC	2
21	CFA00132	NUT M8 NYLOC Z/P	16
22	CFA00135	WASHER FLAT 1" Z/P	4
23	CFA00147	WASHER FLAT 8MM Z/P	30
24	CFA00201	WASHER FLAT 10 MM Z/P	4
25	CFA00222	WASHER FLAT 14MM Z/P	2
26	CFA00251	WASHER SKM10	4
27	CFA00339	CIRCLIP 20MM EXTERNAL	4
28	CFA00387	KEY 8X7X50	2
29	CFA00413	WASHER FLAT 20MM Z/P	8
30	CFA00475	SPLIT PIN 5X40 Z/P	2
31	CFA00504	ROLL PIN 12X60 ZP	25
32	CFA00519	SETSCREW M8X16 FLD ZP	2
33	CFA00556	SPLIT PIN 6X50 Z/P	2
34	CFA00642	ROLL PIN M7X60	25
35	CFA00949	KEY 8X7X10	1
36	CFA01083	CIRCLIP 50MM INTERNAL	4
37	CKN00014	KNIFE CHOPPER UNIT STD (LONG)	25
38	CMH00641	SHAFT 22 X 1310	1
39	CFA00140	WASHER FLAT 16MM Z/P	2
40	CMH01314	BUSH 30X45X20	1
41	CMH01483	PIN 14 X 70 Z/P	2
42	CMH01477	SHAFT 35X1315 (25 K BAR)	1
42	CMH01731	SHAFT 35X1320 SUSP FLOOR (15K BAR)	1

43	CMH01656	BUSH 30X50X16 Z/P	2
44	CMH01711	PIN 20X36 Z/P	2
45	CRA00185	RAM KNIFE ACTUATION BW	2
46	CRA00193	RAM CHOPPER FLOOR 20X40 BW	2
47	CTP00266	KNIFE ACTUATOR ARM	25
		REPLACES ACH02267	
48	CTP00372	KNIFE RAM ACTUATOR	2
49	CZB00382	1.5MM SUSPENSION DROP FLOOR GUARD	1
50	CZD02628	4MM L DROP FLOOR PART	5
51	CZD02959	WASHER 10X40X4	4
52	CMH03394	BUSH 20X65X10 STEPPED 44X6 Z/P	4
53	CZE00306	5MM L KNIFE BLANK (BIG ROTOR)	1
54	CZH03537	10MM L SHAFT BUSH BRACKET	2

No.	Part No	Description	Qty
1	ACH00323	KNIFE RELEASE LEVER ASSY	1
2	ACH01096	KNIFE ACTUATOR SELECT KNIFE	2
3	ACH00724	SUSPN FLOOR WELD 25K (AUGERS FORWARD)	1
<i>25K SUSPENSION FLOOR (AS SHOWN)</i>			
3	ACH00731	DROP FLOOR 15K WELD ASSY (AUGERS FORWARD)	1
<i>15K SUSPENSION FLOOR (NOT SHOWN)</i>			
4	ACN00181	SENSOR TARGET BRACKET SELECT KNIFE	1
5	CTP00553	SENSOR READOUT KNIFE ARM	1
<i>REPLACES ACN00147</i>			
6	ALA00923	25K SELECT KNIFE ARM 2 ASSY	1
<i>(AS SHOWN)</i>			
6	ALA00924	15K SELECT KNIFE ARM 2 ASSY BIG ROTOR	1
<i>(NOT SHOWN)</i>			
7	ALA00577	25K SELECT KNIFE ARM 1 ASSY	1
<i>(AS SHOWN)</i>			
7	ALA00831	15 KNIFE ARM 1 SEL FLOOR BIG ROTOR	1
<i>(NOT SHOWN)</i>			
8	ALA00789	SUSPENSION ARM DROP FLOOR	2
<i>REPLACES ALA00751</i>			
9	CTP00536	FLOOR SUSPENSION SPRING TENSIONER BRCKT	2
10	CSG00341	SPRING COMPRESSION 10X66X90 PAINTED	2
11	CBR00007	BEARING GLACIER PM 3025 DX	2
12	CBR00068	BEARING 30X34X16 STEPPED PLASTIC	4
13	CBR00127	BEARING SPHERICAL 30MM GE30ES 2RS	2
14	CEL00154	MAGNET 60 X24 X 17	25
15	CFA00009	ROLL PIN 8X40	2
16	CFA00011	ROLL PIN 8X60	12
17	CFA00017	SETSCREW M10X30 CUP SQ Z/P	8
18	CFA00024	SETSCREW M10X25 Z/P	4
19	CFA00051	GRUBSCREW M8X10	8
20	CFA00073	ROLL PIN 6X40	4
21	CFA00102	SETSCREW M8X25 Z/P	15
22	CFA00118	GREASE NIPPLE M8X1.25 STRAIGHT	8
23	CFA00123	NUT M10 NYLOC	8
24	CFA00126	NUT M14 NYLOC	2
25	CFA00128	NUT M16 NYLOC	2
26	CFA00132	NUT M8 NYLOC Z/P	16
27	CFA00135	WASHER FLAT 1 Z/P	4
28	CFA00147	WASHER FLAT 8MM Z/P	30
29	CFA00201	WASHER FLAT 10 MM Z/P	8
30	CFA00222	WASHER FLAT 14MM Z/P	2
31	CFA00251	WASHER SKM10	4
32	CFA00339	CIRCLIP 20MM EXTERNAL	4
33	CFA00387	KEY 8X7X50	4
34	CFA00413	WASHER FLAT 20MM Z/P	10
35	CFA00475	SPLIT PIN 5X40 Z/P	2
36	CFA00504	ROLL PIN 12X60 ZP	13
37	CFA00519	SETSCREW M8X16 FLD ZP	2
38	CFA00547	BOLT M14X70 Z/P	2
39	CFA00556	SPLIT PIN 6X50 Z/P	2

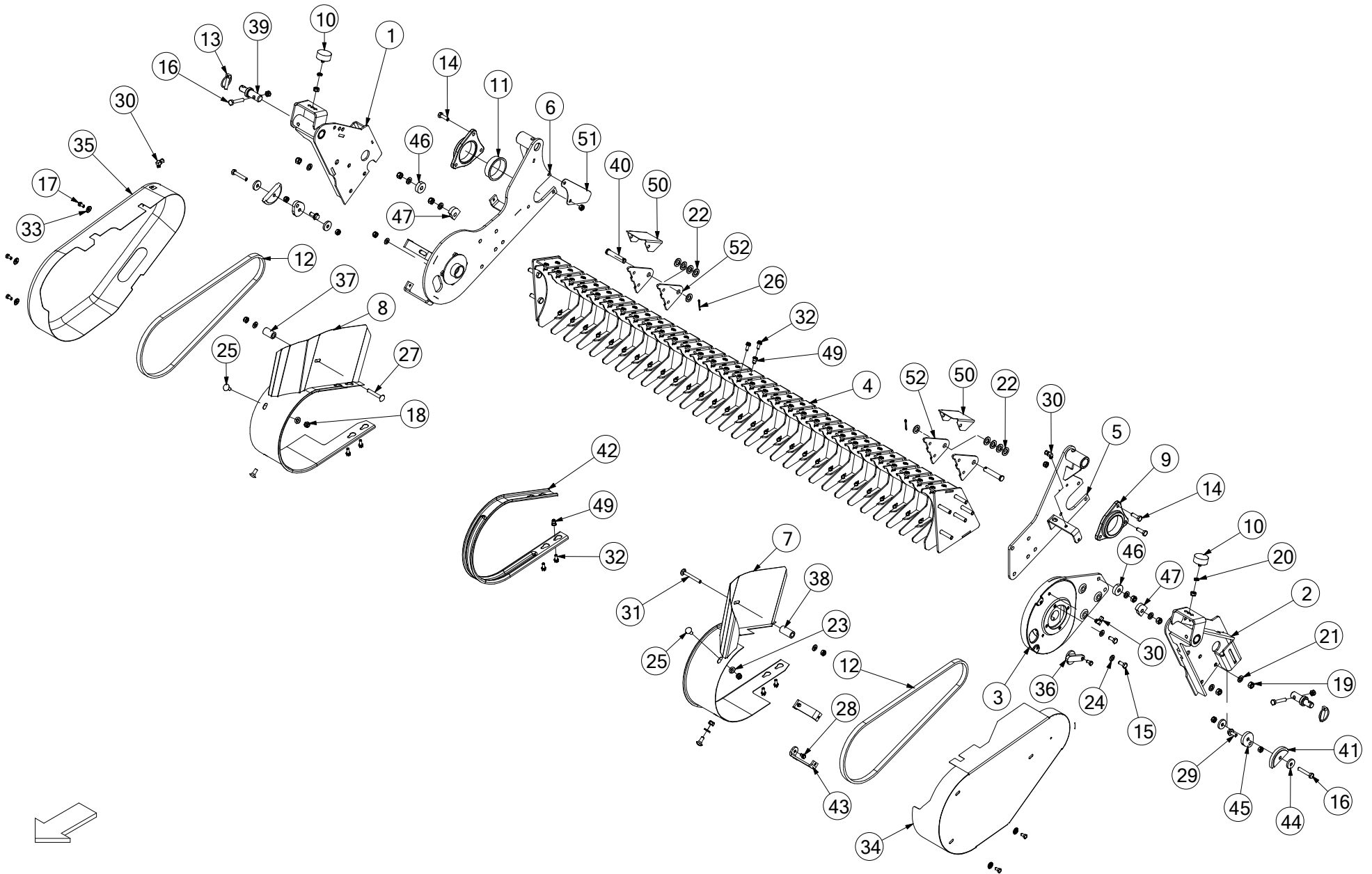
40	CFA00642	ROLL PIN M7X60	13
41	CFA00883	KEY 8X7X20	2
42	CFA01009	ROLL PIN 14 X 60 Z/P DIN 1481	12
43	CFA01083	CIRCLIP 50MM INTERNAL	4
44	CKN00014	KNIFE CHOPPER UNIT STD (LONG)	25
45	CMH00641	SHAFT 22 X 1310	1
46	CFA00140	WASHER FLAT 16MM Z/P	2
47	CMH01308	SHAFT40X1320 23-25KNIFE SELECT	1
47	CMH01734	SHAFT 40X1320 15K SELECT ARM 2	1
48	CMH01314	BUSH 30X45X20	2
49	CMH01483	PIN 14 X 70 Z/P	2
50	CMH01496	SHAFT 35X1320 (25 K BAR) SELECT	1
50	CMH01731	SHAFT 35X1320 SUSP FLR 15K BAR	1
51	CMH01656	BUSH 30X50X16 Z/P	2
52	CMH01711	PIN 20X36 Z/P	2
53	CRA00185	RAM KNIFE ACTUATION BW	2
54	CRA00193	RAM CHOPPER FLOOR 20X40 BW	2
55	CRA00637	RAM 45X20 SELECT KNIFE	2
56	CTP00266	KNIFE ACTUATOR ARM	13
57	CTP00360	KNIFE ARM SELECTABLE FLOOR	12
58	CTP00372	KNIFE RAM ACTUATOR	2
59	CZB00382	1.5MM SUSPENSION DROP FLOOR GUARD	1
60	CZD02628	4MM L DROP FLOOR PART	5
61	CZD02959	WASHER 10X40X4	4
62	CMH03394	BUSH 20X65X10 STEPPED 44X6 Z/P	4
63	CZE00306	5MM L KNIFE BLANK BIG ROTOR	1
64	CZH03537	10MM L SHAFT BUSH BRACKET	4

Pick-up reel shaft [Camtrack] (805)



No.	Part No	Description	Qty
1	ACH02226	REEL BEARING FLOATING ASSY	5
2	ACN00046	PICK UP REEL SHAFT ASSY 5 BAR	1
5	<i>TINE BAR REEL (OLDER 4 TINE BAR REEL MACHINES SHOULD ORDER ACH00309 INSTEAD)</i>		
3	ALA00046	TINE BAR ASSY REEL	5
4	ALA00177	BUSHING CENTER (ASSY) REEL	12
5	CBR00072	BEARING INA 2 BOLT RAE 30 NPPB	5
6	CBR00081	BEARING CAM INA LR 5202 NPPU	5
7	CBR00092	BEARING CIRCR FLNGE INA PME 35	2
8	CFA00017	SETSCREW M10X30 CUP SQ Z/P	10
9	CFA00024	SETSCREW M10X25 Z/P	12
10	CFA00137	WASHER SPRING 10MM H.D Z/P	12
11	CFA00217	GREASE NIPPLE M6X1.0 ST	2
12	CFA00402	CIRCLIP 30MM EXTERNAL	5
13	CFA00443	NUT M10 SERRATED FLANGE (DIN 6923)	10
14	CFA00446	NUT M12 HEXAGON LOCK/HALF NUT	5
15	CFA00512	SHIM 35X45X1.0 Z/P	3
16	CFA00538	SPIROL PIN 8X45 S/C	20
17	CFA00541	NUT M10 BRINKS SELF LOCKING	5
18	CFA00239	KEY 10X8X40 STRAIGHT	2
19	CFA00625	M10 x 20 GRUBSCREW	2
20	CFA00725	BOLT M10X65 SOC CAP	5
21	CFA02244	TINE BOLT WASER FOR P/U REEL	10
22	CMH00621	PLATWEHEEL 3/4" PITCH 40 T	2
23	CMH00672	BOLT SHOULDER 3/4" H	5
24	CMH00843	SHAFT 30X125 STEPPED & C-HOLES	5
25	CTN00008	TINE PICK UP REEL BALER	75
27	CTP00251	CAM AXLE (FORGED)	5
	<i>REPLACES ACH00310 CAM AXLE WELD</i>		
28	CZC05674	3MM L PU TINE BAR ANGLE 5 HOLE W/T SLOTS	15
	<i>OLDER MACHINES USING 1x ITEM 38 USED 5x CZC02139 & 5x CZC02140 UP TO SERIAL No 709518 (F5), 802179 (V6)</i>		
29	CZD02325	4MM L WASHER 30X58X4 Z/P	5
30	CZD04424	4MM L GRASS GUARD 5 TINE BAR REEL	1
31	CZD04425	GRASS GUARD 5 TINE BAR REEL	1
	<i>USED ON 5 TINE BAR REEL ONLY (SHOWN)</i>		
31	CZD02285	4MM L REEL GRASS PLATE 4 TINE	4
	<i>USED ON 4 TINE BAR REEL ONLY</i>		
32	CZD04701	4MM L REEL SHAFT BOLT ON END PLATE	1
33	CZD04702	4MM L REEL SHAFT BOLT ON END PLATE	1
34	CZE00156	5MM L WASHER 35X55X5 Z/P	1
35	CZF02215	6MM L WASHER 10.5X50X6 Z/P	2
36	KST00058	KIT BOLTS FOR PICKUP TINES X10	7
	<i>INCLUDES BOLTS, NUTS & WASHERS (SOLD IN MULTIPLES OF 10)</i>		
38	APU00005	5 TINE CENTER DISK REPAIR KIT	2
	<i>(INCLUDES ITEM 4) QTY WAS 1x PRIOR TO SERIAL No 709518 (F5), 802179 (V6)</i>		

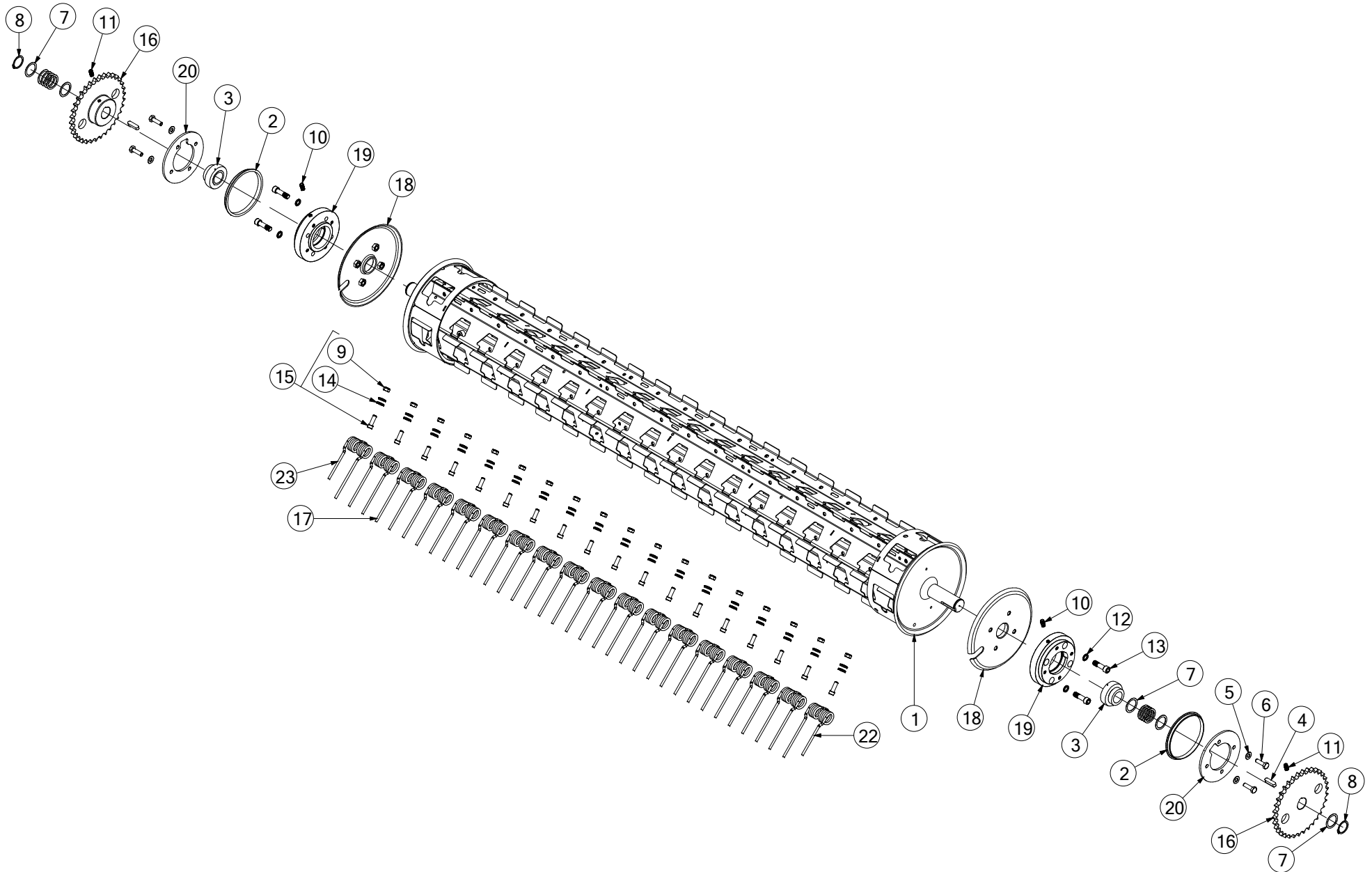
Pick-up reel chassis [Camtrack] (1468)



No.	Part No	Description	Qty
1	APU00106	REEL WELD ASSY OUTER RH (AUGERS FORWARD)	1
2	ACH00301	REEL WELD ASSY OUTER (LEFT)	1
3	ACH00308	CAM TRACK ASSY	1
<i>INCLUDES ITEMS 15, 24, 28, 43 & CTP00252</i>			
3	CTP00252	CAM TRACK CAST	1
3	ACH00354	CAM TRACK (DUTCH)	1
<i>FOR DUTCH MACHINES ONLY</i>			
4	APU00083	REEL BACK PLATE AUGERS FORWARD WELD ASSY	1
5	APU00072	PICKUP REEL SIDE PLATE LH WELD SHORT	1
6	APU00073	PICKUP REEL SIDE PLATE RH WELD SHORT	1
7	APU00090	OUTER BAND LHS (AUGERS FORWARD)	1
8	APU00091	OUTER BAND RHS (AUGERS FORWARD)	1
9	ALA00314	PICKUP REEL PIVOT BRACKET KIT	1
<i>KIT CONTAINS 2 HOUSINGS & 2 IGLUS BEARINGS (ITEM 11)</i>			
10	CBE00167	BUFFER RUBBER 50X21 M10X28 90SHORE	2
11	CBR00274	BEARING IGLIDUR GFM-7680-25	2
12	CCH00004	CHAIN ASA60H 72 PITCH+CON LINK	2
13	CFA00005	LINCH PIN 10MM	2
14	CFA00016	BOLT M10X35	4
15	CFA00024	SETSCREW M10X25 Z/P	6
16	CFA00027	BOLT M10X60 Z/P	4
17	CFA00101	SETSCREW M8X16 Z/P	7
18	CFA00123	NUT M10 NYLOC	22
19	CFA00124	NUT M12 NYLOC	10
20	CFA00137	WASHER SPRING 10MM HD Z/P	2
21	CFA00138	WASHER FLAT 12MM Z/P	10
22	CFA00140	WASHER FLAT 16MM Z/P	10
23	CFA00201	WASHER FLAT 10 MM Z/P	6
24	CFA00251	WASHER SKM10	8
25	CFA00442	SETSCREW M10X25 CUP SQ	4
26	CFA00450	SPLIT PIN 4 X36 Z/P	2
27	CFA01057	BOLT M10X65 CUP SQUARE ZP	1
28	CFA00492	SETSCREW M8X12 FLANGED Z/P	2
29	CFA00520	SETSCREW M10X25 FLD ZP	2
30	CFA00542	OILER FITTING 90 DEG 1/8" BSP	3
<i>FITTING WITH NUT & OLIVE (USED ON FUSION ONLY)</i>			
30	CFA02253	90 DEG. 1/8" 4MM QUICK CONNECTOR	3
<i>PUSH-IN FITTING (USED ON F5 & V6 ONLY)</i>			
31	CFA00371	BOLT M10X75 CUP HEAD SQ Z/P	1
32	CFA00766	SETSCREW M8X20 FLANGED DIN6921 Z/P	130
33	CFA02414	8MM SKB WASHER	6
34	AGD00191	CHAIN GUARD LH CAMTRACK PICKUP	1
35	CTP00128	PICK UP REEL GUARD RHS PRESSING	1
36	CGD00050	CAM TRACK BLANKING CAP	1
37	CMH03629	BUSH 15X25X36	1
38	CMH03628	BUSH 15X25X46	1
39	CMH01035	PIN 25X97 AND12MM CH (Z/P)	2
40	CMH02848	PIN CLEVIS 16X85 & DIA 4 C.HOLE	2
41	CPL00043	PLASTIC CHAIN TENSIONER (REEL)	2
42	CTP00048	BAND PICK UP REEL (BALER)	29

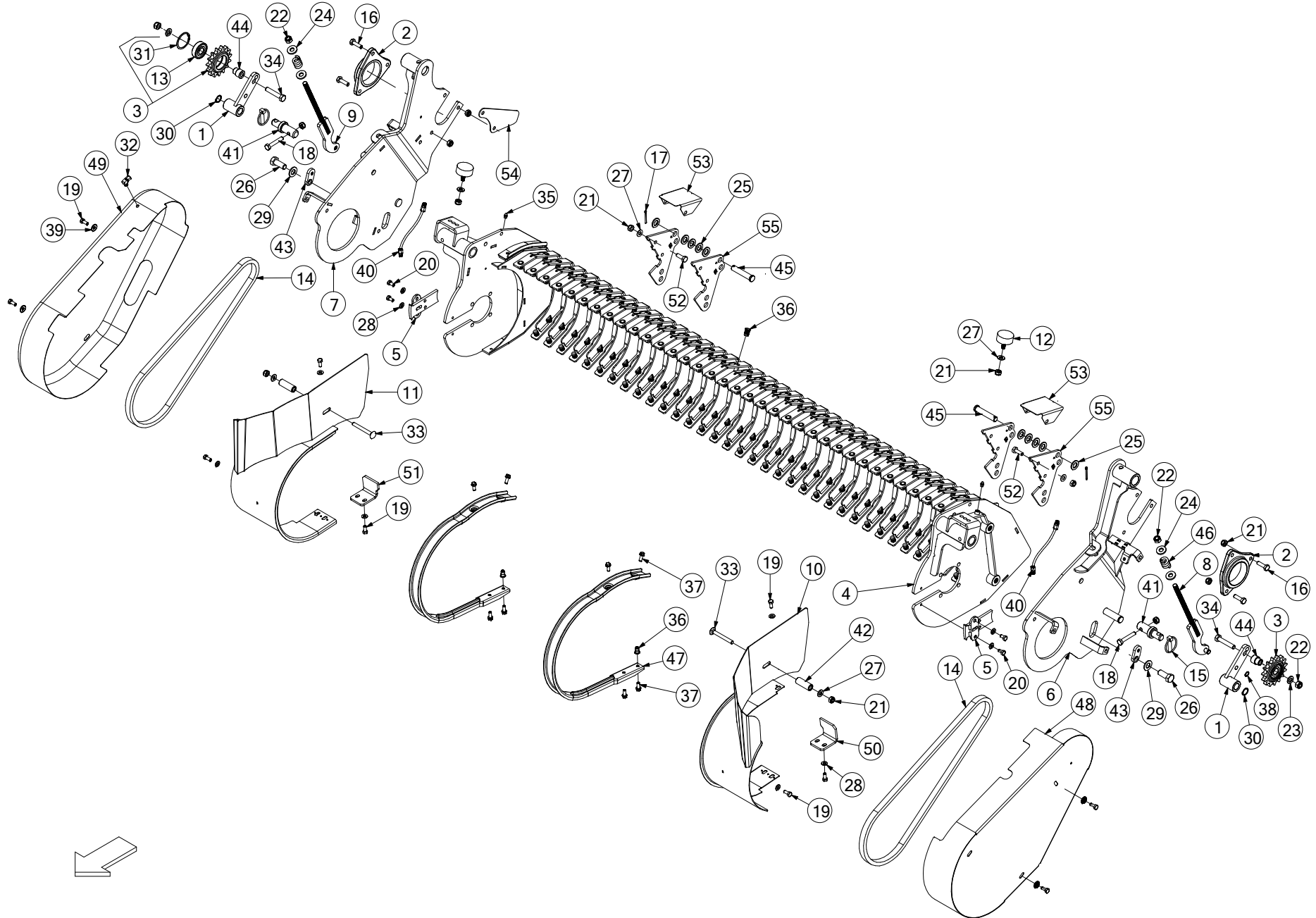
43	CZF04369	6MM L CAM TRACK BRAC	2
44	CZF09260	6MM L WASHER CAMTRACK CHAIN TENSIONER	4
45	CZH02907	10MM L WASHER 10X50 FLAT SIDE ZP	2
46	CZI02045	12MM L WASHER 39.5X12.5X12	2
47	CZI02046	12MM L WASHER DOWEL	2
49	CFA00764	INSERT THREADED M8 (REEL)	130
<i>REPLACEMENT THREADED INSERTS FOR ITEM 4 (IF THREADING GETS DAMAGED)</i>			
50	CZB00173	1.5MM L GRASS COVER PLATE CAMTRACK	2
51	CZC00225	3MM L PICKUP SENSOR PLATE	1
52	CZF00416	6MM L RAM BRACKET REEL	4

Pick-up reel shaft [Camless] (1469)



No.	Part No	Description	Qty
1	ARC00514	CAMLESS PLATED DRUM WELD ASSEM	1
1	ARC00543	CAM REEL PLATED ROTOR TINE ASSEM (18 TINES)	1
<i>INCLUDES TINES & FASTENERS (ITEMS 15, 17, 22 & 23)</i>			
2	CBR00327	135MM FLANGE BEARING (GFM 135140-10.5)	2
3	CBR00361	40MM SPHERICAL BEARING GRAE 40 NPPB	2
4	CFA00046	KEY 10X8X35	2
<i>REPLACES CFA00239 (KEY 10X8X40)</i>			
5	CFA00251	WASHER SKM10	8
6	CFA00311	SETSCREW M10X35 Z/P	8
7	CFA00265	SHIM 40X50X1.0	14
8	CFA00551	CIRCLIP 40MM EXTERNAL DIN 471	2
9	CFA00541	NUT M10 BRINKS SELF LOCKING	108
<i>PART OF KIT (ITEM 15)</i>			
10	CFA00550	ROTOR BEARING GREASE FITTING 6MM X 1/8" M/M	2
11	CFA00625	M10 x 20 GRUBSCREW	2
12	CFA00799	WASHER M12 NORDLOC	8
13	CFA01095	BOLT M12X45 SOC CAP ZP 10.9	8
14	CFA02244	TINE BOLT WASER FOR P/U REEL	216
<i>PART OF KIT (ITEM 15)</i>			
15	KST00065	TINE BOLT KIT SOC CAP (M10X30)	11
<i>INCLUDES NUTS & WASHERS (ITEMS 9 & 14) SOLD IN MULTIPLES OF 10</i>			
16	CMH01908	PLATEWEHEEL 3/4 PITCH 34 T (40MM BORE)	2
17	CTN00034	TYNE CAMLESS REEL H/D (6.3MM)	96
18	CTP00467	CAMLESS REEL GRASS CENTER DISK	2
19	CTP00609	CAMLESS PIVOT BUSH (40MM BEARING)	2
20	CZF07489	6MM L COVER PLATE FLEXI CAMLESS	2
22	CTN00042	STEPPED TYNE CAMLESS REEL H/D LHS	6
<i>RE-WORK ITEM 17 (CTN00034)</i>			
23	CTN00043	STEPPED TYNE CAMLESS REEL H/D RHS	6
<i>RE-WORK ITEM 17 (CTN00034)</i>			

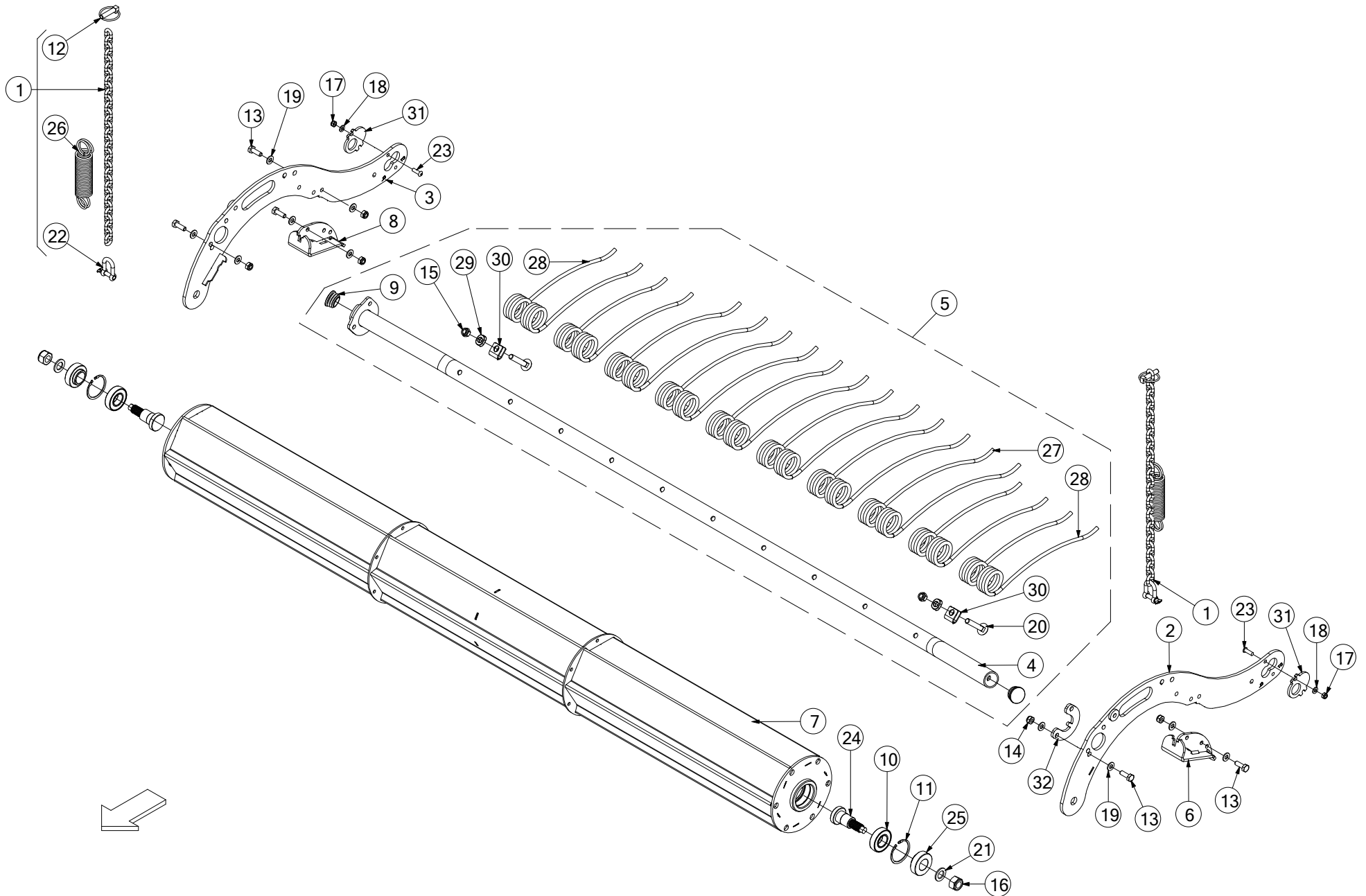
Pick-up reel chassis [Camless] (1470)



No.	Part No	Description	Qty
1	ACH02939	CHAIN TENSIONER ARM WELD ASSEM (FLEXI)	2
2	ALA00285	REEL PIVOT BRACKET IGIDILUR	2
3	ALA00700	TENSIONER SPROCKET ASSEMBLY V6	2
<i>INCLUDES ITEMS 13 & 31</i>			
4	APU00079	REEL BACK WELD ASSEM (18 TINE)	1
5	APU00017	SIDE WALL COVER PLATE (FLEXI)	2
6	APU00071	REEL CAMLESS SIDE PLATE LH SHORT	1
7	APU00044	CAM REEL HINGE PLATE WELD ASSEM NDS (SHORT)	1
8	APU00020	CHAIN TENSIONER ADJUSTER WELD ASSEM (FLEXI)	1
9	APU00021	CHAIN ADJUSTER WELD ASSEM	1
10	APU00088	CAMLESS DS OUTER BAND (18 TINE TK)	1
11	APU00089	CAMLESS NDS OUTER BAND (18 TINE TK)	1
12	CBE00167	BUFFER RUBBER 50X21 M10X28 90SHORE	2
<i>REPLACES CBE00002</i>			
13	CBR00066	BEARING 6304 2RS	2
14	CCH02062	CHAIN ASA60H 3/4 76 P INC JOINERLINK	2
15	CFA00005	LINCH PIN 10MM	2
16	CFA00016	BOLT M10X35	6
17	CFA00021	SPLIT PIN 4X50 Z/P	2
18	CFA00027	BOLT M10X60 Z/P	2
19	CFA00052	SETSCREW M8X20 Z/P	14
20	CFA00101	SETSCREW M8X16 Z/P	4
21	CFA00123	NUT M10 NYLOC	20
22	CFA00124	NUT M12 NYLOC	4
23	CFA00138	WASHER FLAT 12MM Z/P	2
24	CFA00139	WASHER FLAT 12MM H/D Z/P	4
25	CFA00140	WASHER FLAT 16MM Z/P	10
26	CFA00151	SETSCREW M16X40 Z/P	2
27	CFA00201	WASHER FLAT 10 MM Z/P	12
28	CFA00249	WASHER SKM8	12
29	CFA00252	WASHER SKM16	2
30	CFA00339	CIRCLIP 20MM EXTERNAL	2
31	CFA00461	52MM INTERNAL CIRCLIP DIN 472	2
32	CFA00542	OILER FITTING 90 DEG 1/8" BSP	1
<i>FITTING WITH NUT & OLIVE (USED ON FUSION ONLY)</i>			
32	CFA02253	90 DEG 1/8 4MM QUICK CONNECTOR	1
<i>PUSH-IN FITTING (USED ON F5 & V6 ONLY)</i>			
33	CFA01237	M10 X 60 CUPHEAD BOLT (8.8)	2
34	CFA00579	BOLT M12X65 ZP	2
35	CFA00590	GREASE NIPPLE 1/8 BSP ST	2
36	CFA01167	M8 THREADED INSERT HIGH TORQUE VERSION	140
<i>REPLACEMENT THREADED INSERTS FOR ITEM 4 (IF THREADING GETS DAMAGED)</i>			
37	CFA00766	SETSCREW M8X20 FLANGED DIN6921 Z/P	140
38	CFA01053	CIRCLIP 12MM EXTERNAL Z/P DIN 471	2
39	CFA02414	8MM SKB WASHER	6
40	CHY01096	6MM FLEXI CAMLESS GREASE PIPE ASSEM	2
41	CMH01035	PIN 25X97 AND12MM CH (Z/P)	2
42	CMH03206	BUSH 20 X 12 X 26	2
43	CZG00215	8MM L CAMLESS SLOT FILLER	2
44	CMH02744	BUSH 34 X 25 STEPPED	2

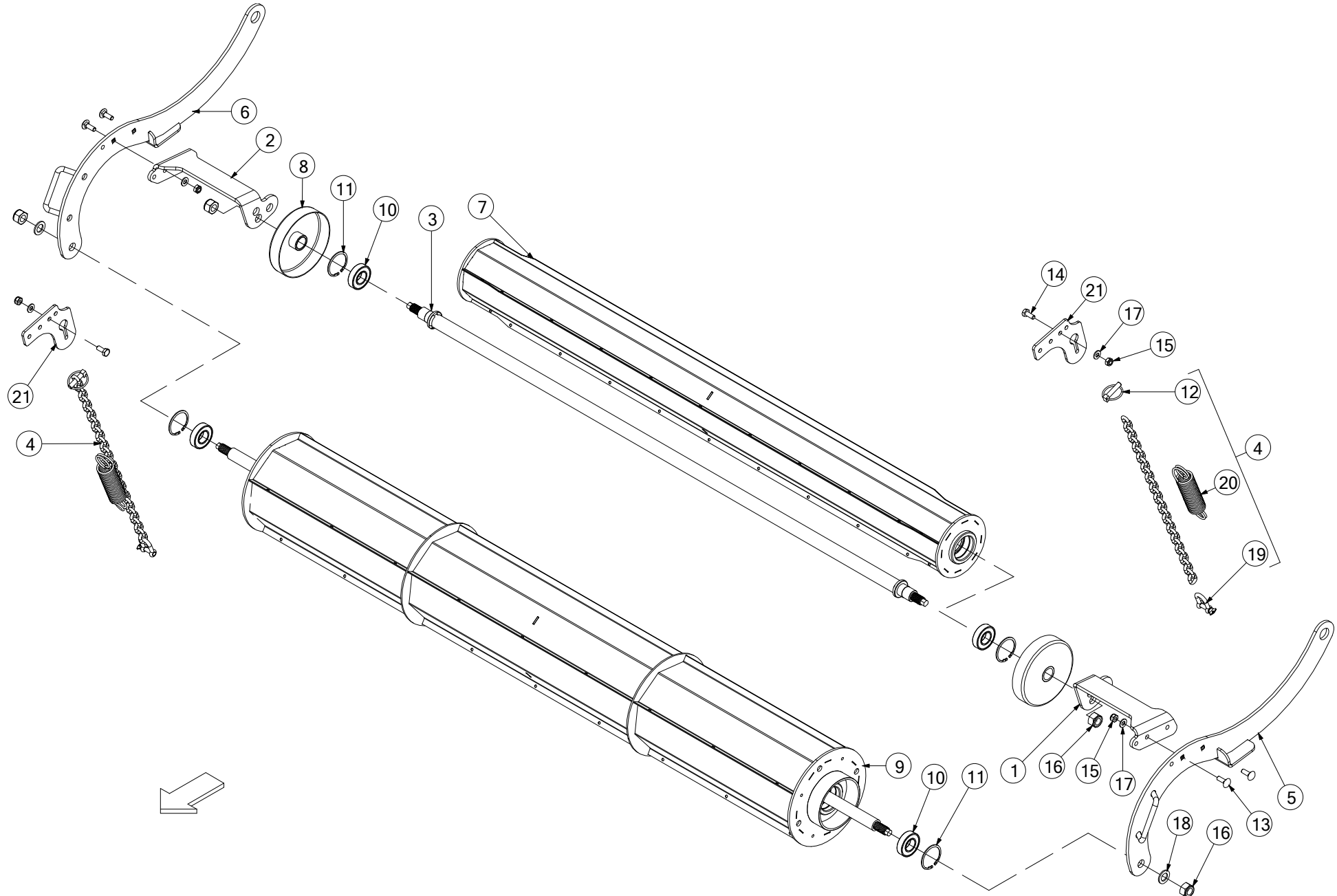
45	CMH02848	PIN CLEVIS 16X85 & DIA 4 C.HOLE	2
46	CSG00297	SPRING 6 X 25 X 35	2
47	CTP00820	BAND REEL (A/F)	35
48	AGD00186	CHAIN GUARD LH CAMLESS PICKUP	1
49	CTP00744	CAMLESS PRESSED SIDE GUARD (LOWER NDS)	1
50	CZF07108	6MM L DRUM CLEANER PLATE	1
51	CZF07109	6MM L DRUM CLEANER PLATE	1
52	CFA00025	SETSCREW M10X30 Z/P	8
53	CZB00174	1.5MM L GRASS COVER PLATE CAMLESS	2
54	CZC00225	3MM L PICKUP SENSOR PLATE	1
55	CZF00490	6MM L RAM ATTACH PLATE	4

Crop Roller Single [Spring tines] (1479)



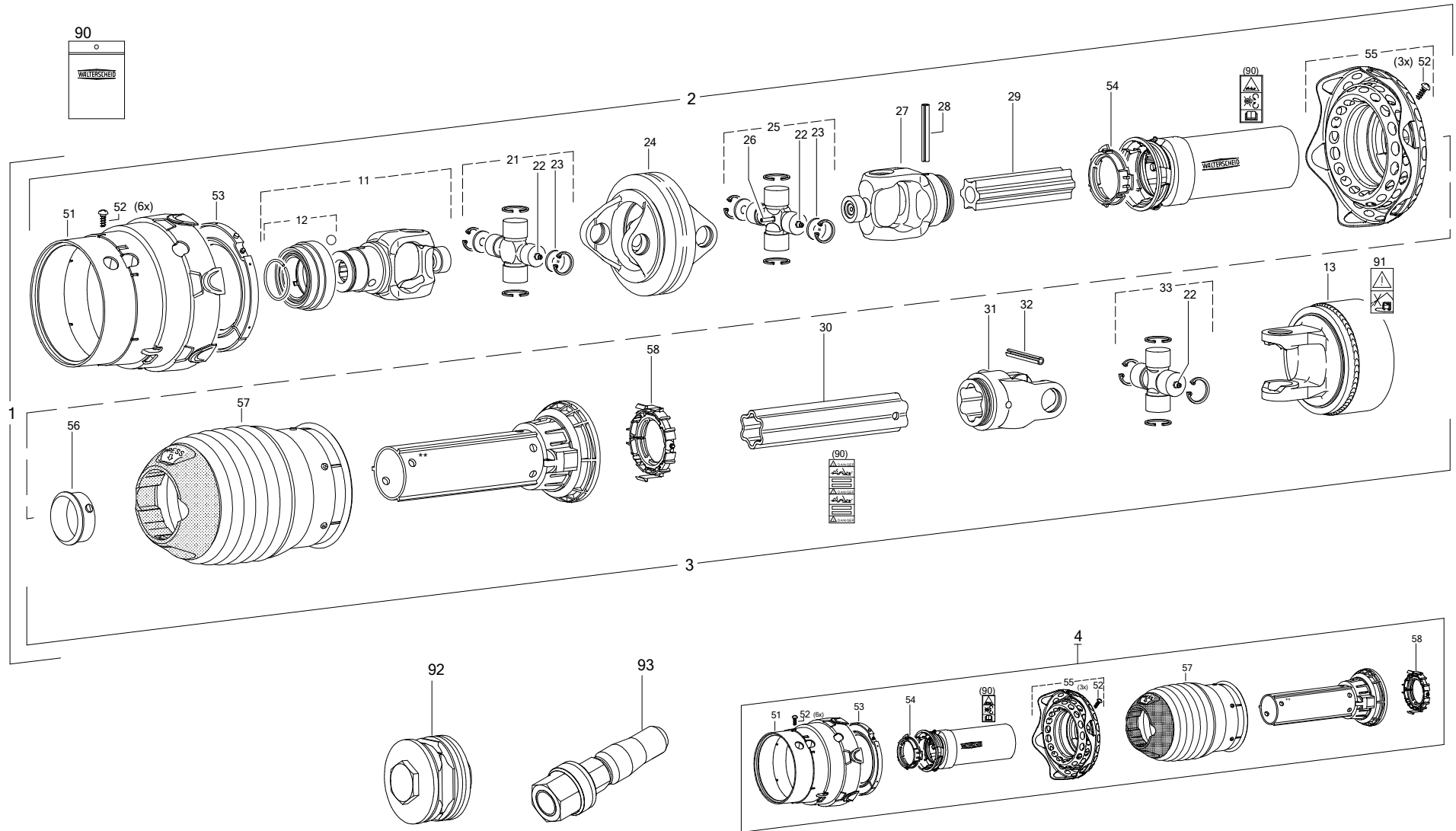
No.	Part No	Description	Qty
0	ARC00565	CROP ROLLER ASSEM SPRING TINES	1
<i>COMPLETE ASSEMBLY INCLUDING ALL ITEMS</i>			
1	ALA01322	CROP ROLLER CHAIN-SPRING ASSEM	2
2	ARC00568	CROP ROLLER SIDE PLATE WELD ASSEM	1
3	ARC00569	CROP ROLLER SIDE PLATE WELD ASSEM	1
4	ARC00591	SPRING TINE FORMED TUBE WELD ASSEM	1
5	ARC00592	SPRING TINE FORMED CARRIER FULL ASSEM	1
6	ARC00600	SPRING TINE CROP ROLLER ADJUST BRCKT	1
7	ARC00604	CROP ROLLER WELD ASSY	1
8	ARC00612	SPRING TINE CROP ROLLER ADJUST BRCKT	1
9	CBC00005	CAP PLASTC INSERT ROUND 42.4MM	2
10	CBR00299	BEARING 206 NPPB 30MM SPHERICAL	2
11	CFA00002	62MM INTERNAL CIRCLIP DIN 472	2
12	CFA00005	LINCH PIN 10MM	2
13	CFA00025	SETSCREW M10X30	8
14	CFA00123	NUT M10 NYLOC	8
15	CFA00124	NUT M12 NYLOC	10
16	CFA00129	NUT M20 NYLOC	2
17	CFA00132	NUT M8 NYLOC Z/P	4
18	CFA00147	WASHER FLAT 8MM Z/P	4
19	CFA00201	WASHER FLAT 10 MM Z/P	16
20	CFA00364	BOLT M12X75 CUPHEAD Z/P	10
21	CFA00413	WASHER FLAT 20MM Z/P	2
22	CFA00457	D SHACKLE 0.375" GAL	2
23	CFA00744	SETSCREW M8X25 BUTTO	4
24	CMH00148	SHAFT 30X86 M20 THREAD Z/P	2
25	CMH01445	BUSH 30X50X25 Z/P	2
26	CSG00320	SPRING EXT 4.47X43X200 Z/P	2
27	CTN00040	GRASS GUARD SPRING TINE CENTRE	6
28	CTN00041	GRASS GUARD SPRING TINE (SHORT)	4
29	CTP00542	FIXING ELEMENT FOR RAKE TYNE	10
30	CZC00316	3MM L BASE PLATE - CROP ROLLER TYNE	10
31	CZF00742	6MM L HINGE LOCK PLATE	2
32	CZF00755	6MM L FLANGE PLATE	1

Crop roller double [Camless] (966)



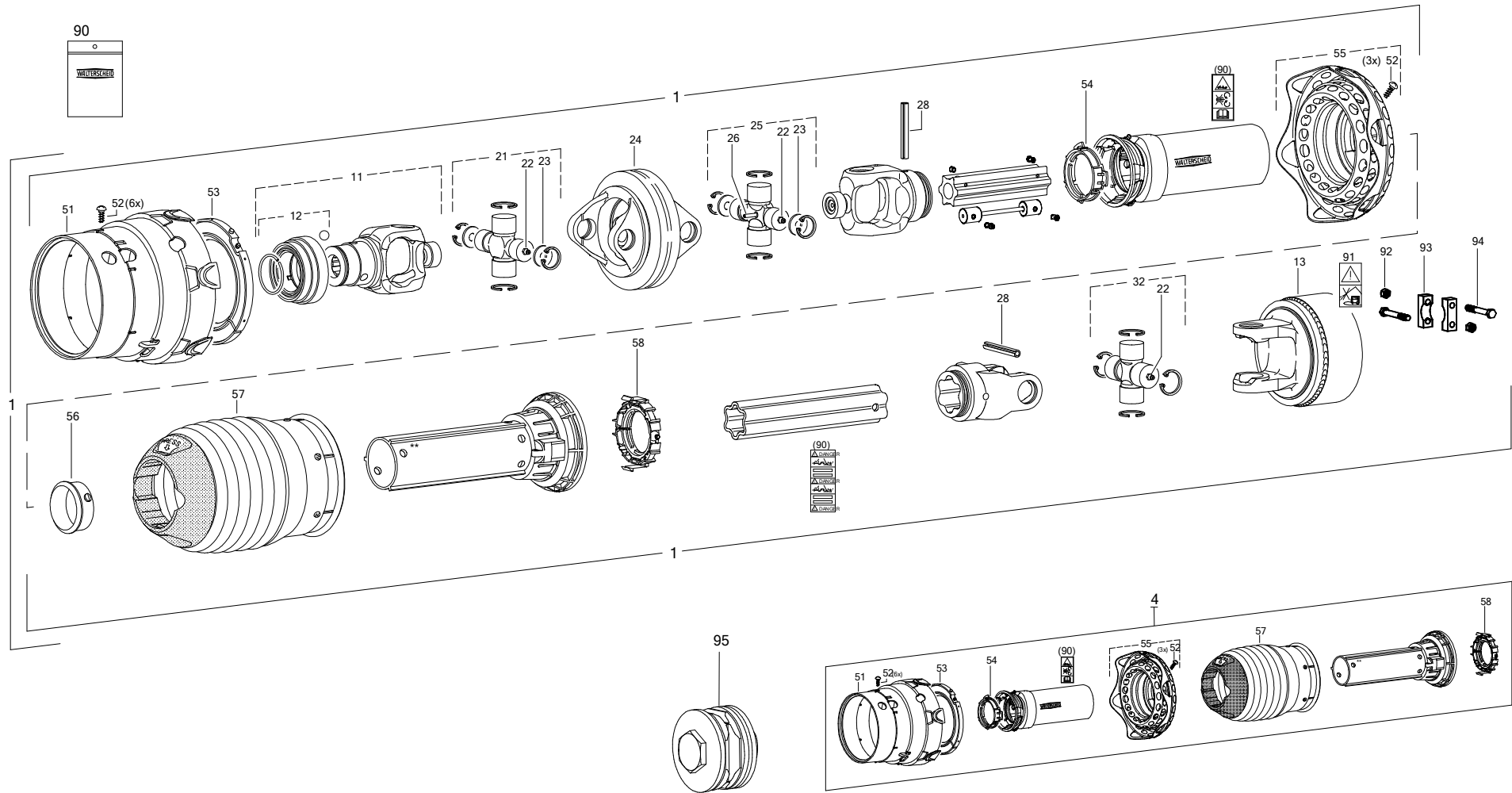
No.	Part No	Description	Qty
0	ARC00378	CROP ROLLER FULL ASSEM (CAMLESS) <i>UP TO SERIAL No 669299 ON FUSION (COMPLETE ASM - INCLUDES ITEMS 1 THROUGH 20)</i>	1
0	KST00088	DCR CAMTRACK REEL KIT <i>UP TO SERIAL No 669299 ON FUSION CAMTRACK PICK-UPS IN SPECIFIC MARKETS (COMPLETE ASM - ITEMS 1 TO 21)</i>	1
0	ARC00531	DCR ASY CAMLESS AUGERS FORWARD <i>FROM SERIAL No 669300 ON FUSION CAMLESS OR CAMTRACK (COMPLETE ASM - INCLUDES ITEMS 1 THROUGH 20)</i>	1
1	ACH03150	REAR CROP ROLLER HOLDER WELD ASSEM LHS	1
2	ACH03151	REAR CROP ROLLER HOLDER WELD ASSEM RHS	1
3	ACH03315	INNER ROLLER AXLE WELD ASSEM (CAMLESS)	1
4	ALA01322	CROP ROLLER CHAIN-SPRING ASSEM <i>CHAIN ASSEMBLY (INCLUDES ITEMS 12, 19 & 20)</i>	2
5	ARC00379	CROP ROLLER PLATE WELD ASSEM LHS (CAMLESS) <i>UP TO SERIAL No 669299 ON FUSION</i>	1
5	ARC00529	DCR SIDE WELD ASSEM LHS (-90) <i>FROM SERIAL No 669300 ON FUSION</i>	1
6	ARC00380	CROP ROLLER PLATE WELD ASSEM RHS (CAMLESS) <i>UP TO SERIAL No 669299 ON FUSION</i>	1
6	ARC00530	DCR SIDE WELD ASSEM RHS (-90) <i>FROM SERIAL No 669300 ON FUSION</i>	1
7	ARC00387	TOP ROLLER WELD ASSEM (SHORT)	1
8	ARC00392	CROP ROLLER SEAL (LARGE)	2
9	ARC00466	FRONT ROLLER ASSEM (DCR) <i>INCLUDES SHAFT + ITEMS 10 & 11</i>	1
10	CBR00024	BEARING 62062RS	4
11	CFA00002	62MM INTERNAL CIRCLIP DIN 472	4
12	CFA00005	LINCH PIN 10MM	2
13	CFA00017	SETSCREW M10X30 CUP SQ Z/P	4
14	CFA00025	SETSCREW M10X30 Z/P	4
15	CFA00123	NUT M10 NYLOC	8
16	CFA00129	NUT M20 NYLOC	4
17	CFA00201	WASHER FLAT 10 MM Z/P	10
18	CFA00413	WASHER FLAT 20MM Z/P	2
19	CFA00457	D SHACKLE 0.375" GAL	2
20	CSG00320	SPRING EXT 4.47X43X200 Z/P	2
21	CZF07624	6MM L DOUBLE CROP ROLLER CHAIN HOLDER <i>USED ON FUSION VARIO ONLY PRIOR TO SERIAL No 900340 (NOT SHOWN)</i>	2
21	CZF07847	CAMLESS REEL CHAIN HANGER <i>FROM SERIAL No 805001 (V SERIES) & FROM SERIAL No 900340 (FUSION VARIO) LH SIDE</i>	1
21	ACH02980	PLATFORM BRACKET V6/ VARIO ASSY <i>FROM SERIAL No 805001 (V SERIES) & FROM SERIAL No 900340 (FUSION VARIO) RH SIDE</i>	1
21	CZF07625	6MM L DOUBLE CROP ROLLER CHAIN HOLDER F3 <i>FUSION ONLY (NOT SHOWN)</i>	2
21	CZF07629	6MM L CAMLESS CHAIN PLATE F5000 / V6 <i>F5 BALERS & V6 PRIOR TO SERIAL No 805001 (SHOWN)</i>	2

PTO Shaft 540rpm HD [From Serial No 662277 & 900212] (1204)



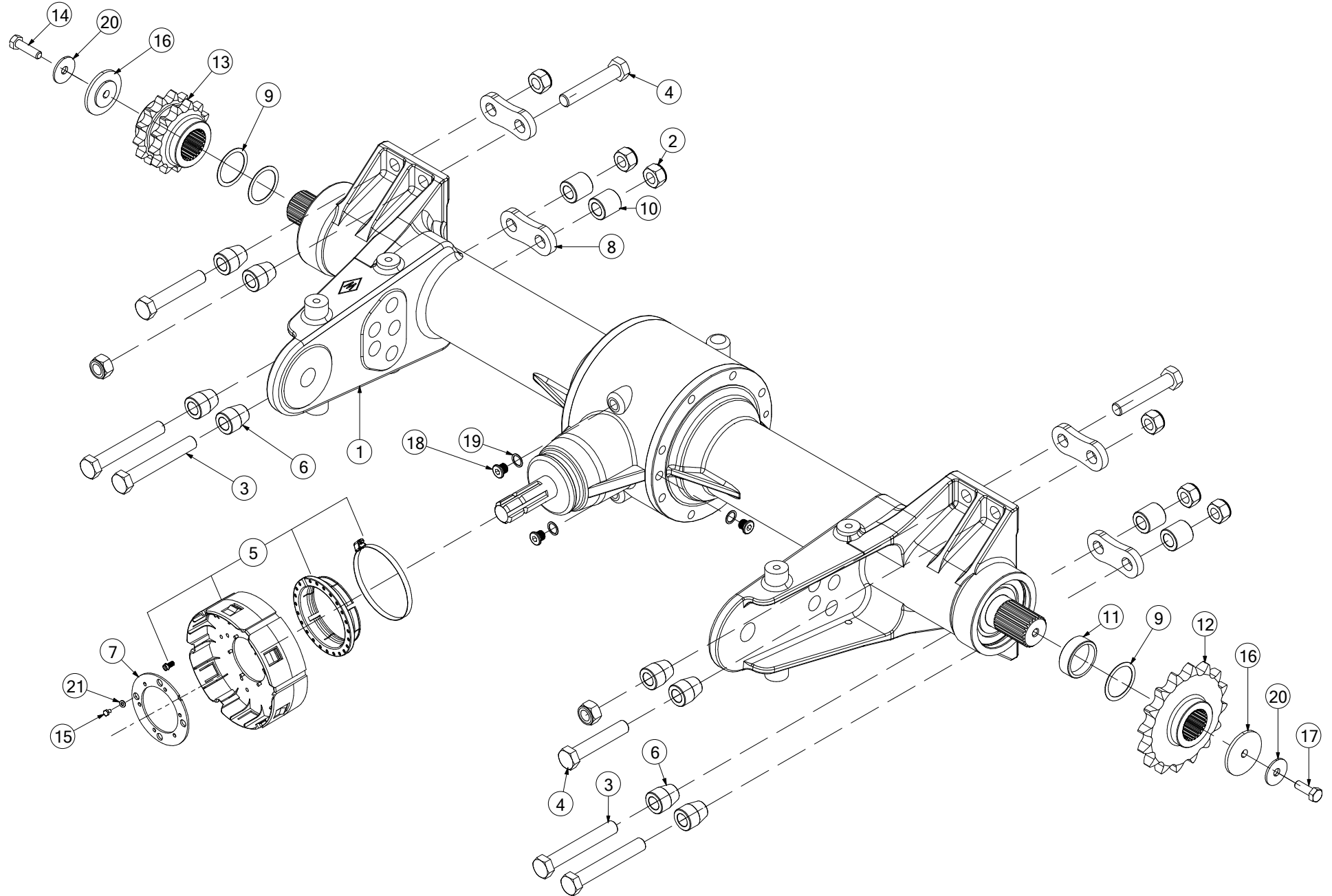
No.	Part No	Description	Qty
1	CMT00230	PTO SHAFT P580 FUSION2 +2011	1
2	CMT00255	PTO SHAFT TRACTOR HALF P580 2011	1
3	CMT00256	PTO SHAFT BALER HALF P580 2011	1
4	CMT00695	PTO GUARD COMP. 1610-K64/24R 540RPM	1
11	CMT00338	YOKE COMPLETE HD PTO QS	1
11	CMT00186	YOKE END 1 3/4 20 SPLINE	1
12	CMT00337	KIT QUICK RELEASE HD PTO QS	1
13	CMT00213	CLUTCH CAM TYPE	1
21	CMT00235	UNIVERSAL JOINT WIDE ANGLE	1
22	CFA00097	GREASE NIPPLE	3
23	CMT00215	PLATE DIA. 31.95X2	4
24	CMT00234	PTO DOUBLE YOKE	1
25	CMT00236	UNIVERSAL JOINT WIDE ANGLE	1
26	CMT00237	LUBRICATION FITTING	1
27	CMT00238	PTO YOKE	1
28	CFA00629	SPLIT PIN 10X80	1
29	CMT00218	PROFILE TUBE INNER	1
30	CMT00219	PROFILE TUBE OUTER PWE580 STAR	1
31	CMT00220	YOKE PTO	1
32	CFA00871	ROLL PIN 10X90	1
33	CMT00240	PTO UNIVERSAL JOINT	1
51	CMT00222	GUARD CONE	1
52	CFA00630	SCREW M4X10 FUSION PTO	9
53	CMT00170	BEARING RING PTO FUSION	1
54	CMT00095	BEARING RING SMALL FUSION PTO	1
55	CMT00189	FLEXIBLE GUARD CONE	1
56	CMT00456	BEARING RING PK500-400 PTO SHAFT	1
57	CMT00457	CONE ADAPTOR 367MM PK500-400 PTO	1
58	CMT00242	PTO GUARD RING	1
90	CLT00326	PTO PWE580 INSTRUCTION MANUAL	1
91	CST00133	DECAL NO HIGH PRESSURE CLEANER	1
92	CMT00471	SPRING PACK CLUTCH 2200NM K64/24	1
93	CMT00158	CLAMP PIN BALER PTO SHAFT 7540	1

PTO Shaft 1000rpm (1145)



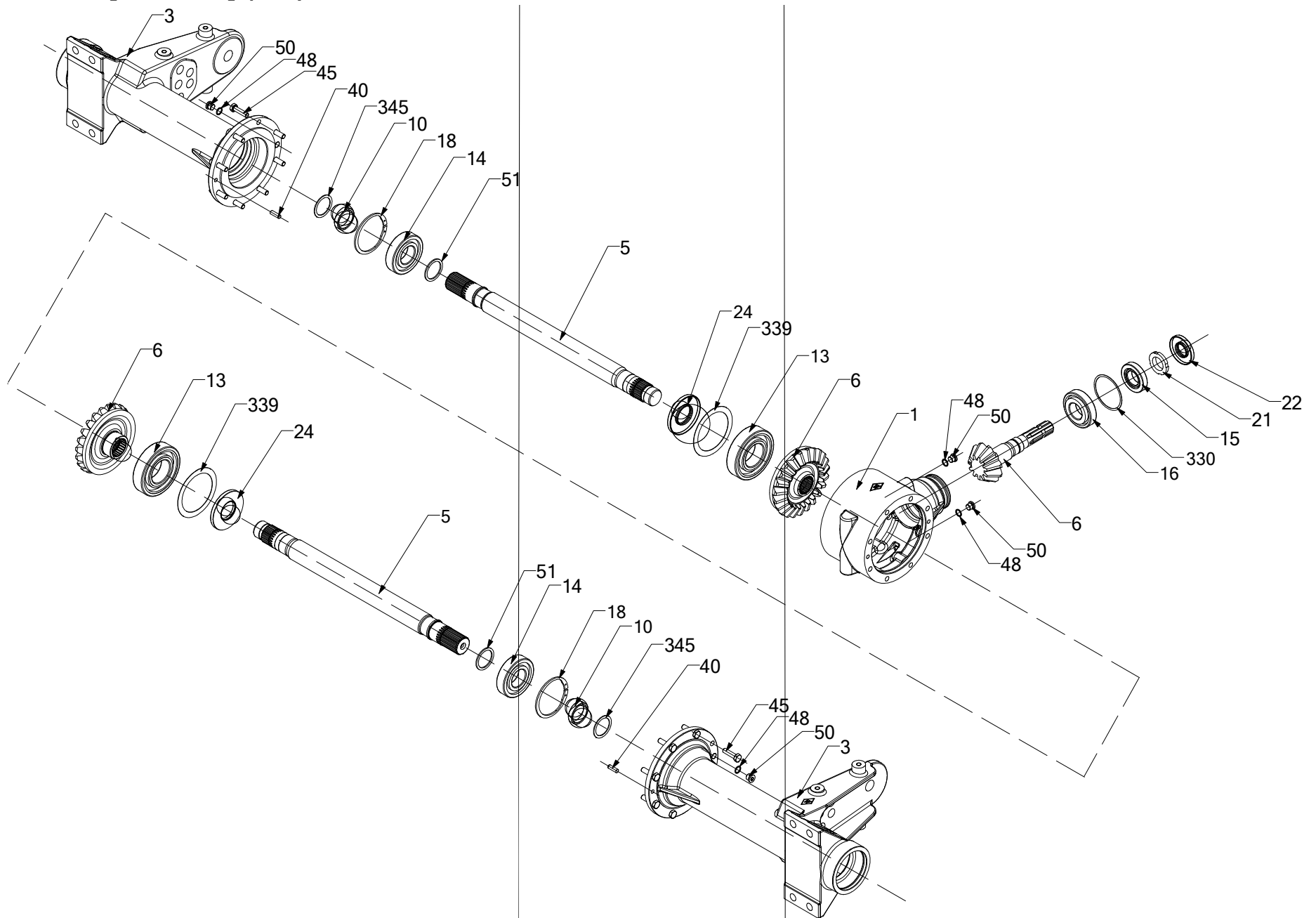
No.	Part No	Description	Qty
1	CMT00426	PTO 1000RPM K68/24 1500NM 6	1
1	CMT00502	PTO 1000RPM K68/24 1500NM 21S	1
4	CMT00696	PTO GUARD COMP. 1410 1000RPM	1
11	CMT00732	YOKE COMP. QSGP480-1 3/8 6	1
11	CMT00503	YOKE END 21 SPLINE 1000RPM SHAFT	1
11	CMT00521	YOKE END 1 3/4" 20 SPLINE P480	1
12	CMT00337	KIT QUICK RELEASE HD PTO QS PLASTIC	1
13	CMT00734	CLUTCH K68 24R 2400 3/8 21	1
21	CMT00084	UNIVERSAL JOINT 480 KIT	1
22	CFA00097	GREASE NIPPLE	3
23	CMT00085	PLATE DIA 26.95X2 FUSION PTO	4
24	CMT00735	YOKE DOUBLE P 480	1
25	CMT00736	UNIVERSAL JOINT 2480 P KIT	1
26	CMT00237	LUBRICATION FITTING	1
28	CFA00629	SPLIT PIN 10X80	2
32	CMT00091	UNIVERSAL JOINT PTO CROSS 3500	1
51	CMT00222	GUARD CONE	1
52	CFA00630	SCREW M4X10 FUSION PTO	9
53	CMT00170	BEARING RING PTO FUSION	1
54	CMT00095	BEARING RING SMALL FUSION PTO	1
55	CMT00189	FLEXIBLE GUARD CONE	1
56	CMT00456	BEARING RING PK500-400 PTO SHAFT	1
57	CMT00457	CONE ADAPTOR 367MM PK500-400 PTO	1
58	CMT00242	PTO GUARD RING	1
90	CLT00326	PTO PWE580 INSTRUCTION MANUAL	1
91	CST00133	DECAL NO HIGH PRESSURE CLEANER	1
92	CFA00124	NUT M12 NYLOC	2
93	CMT00746	CLAMP CLUTCH 1 3/8 D50	2
94	CFA02256	BOLT M12X85 Z/P	2
95	CMT00754	SPRING PACK CLUTCH 1500NM K68/24	1

Gearbox 1 (1471)



No.	Part No	Description	Qty
1	CMT00166	GEARBOX BALER 540 RPM W-SCHEID	1
<i>540 RPM GEARBOX ASSEMBLY STANDARD (SHOWN)</i>			
1	CMT00498	GEARBOX 1000RPM HEAVY DUTY	1
<i>1000 RPM GEARBOX ASSEMBLY OPTIONAL (NOT SHOWN)</i>			
2	CFA00418	NUT M20X1.5 NYLOC FINE GRADE 10.0	8
3	CFA01239	BOLT M20X150X1.5 10.9 BLACK	4
4	CFA01240	BOLT M20X120X1.5 10.9 BLACK	4
5	CMT00395	PTO SHAFT GEARBOX ADAPTOR RING ASM	1
6	CMH00976	BUSH 16X40X50	8
7	CZC05636	3 MM L ADAPTOR PLATE	1
<i>USED WITH PTO SHAFT ADAPTOR RING ON 1000 RPM GEARBOX ONLY</i>			
8	CZI02039	12MM L CHASSIS PART FUSION	4
9	CFA00048	SHIM 50X62X1.0	3
10	CMH01118	BUSH 20.5X35X35 Z/P	4
11	CMH01029	BUSH 50X60X23 F550 GEARBOX	1
12	CMH02236	SPROCKET 1 1/4" 16T 50MM SPLINE	1
13	CMH03245	SPROCKET 16T 1" DUPLEX	1
14	CFA00065	SETSCREW M12X45 Z/P	1
15	CFA00023	SETSCREW M10X20 Z/P	4
<i>USED WITH PTO SHAFT ADAPTOR RING ON 1000 RPM GEARBOX ONLY</i>			
16	CMH02963	BUSH STEPPED 12X70X10 Z/P	2
17	CFA00065	SETSCREW M12X45 Z/P	1
18	CMT00073	DRAIN PLUG GEARBOX FUSION	4
<i>USED ON 540 RPM GEARBOX ONLY</i>			
19	CSE00127	SEAL O-RING COPPER GEARBOX FSN	4
<i>USED ON 540 RPM GEARBOX ONLY</i>			
20	CFA00250	WASHER SKM12	2
21	CFA00251	WASHER SKM10	4
<i>USED WITH PTO SHAFT ADAPTOR RING ON 1000 RPM GEARBOX ONLY</i>			

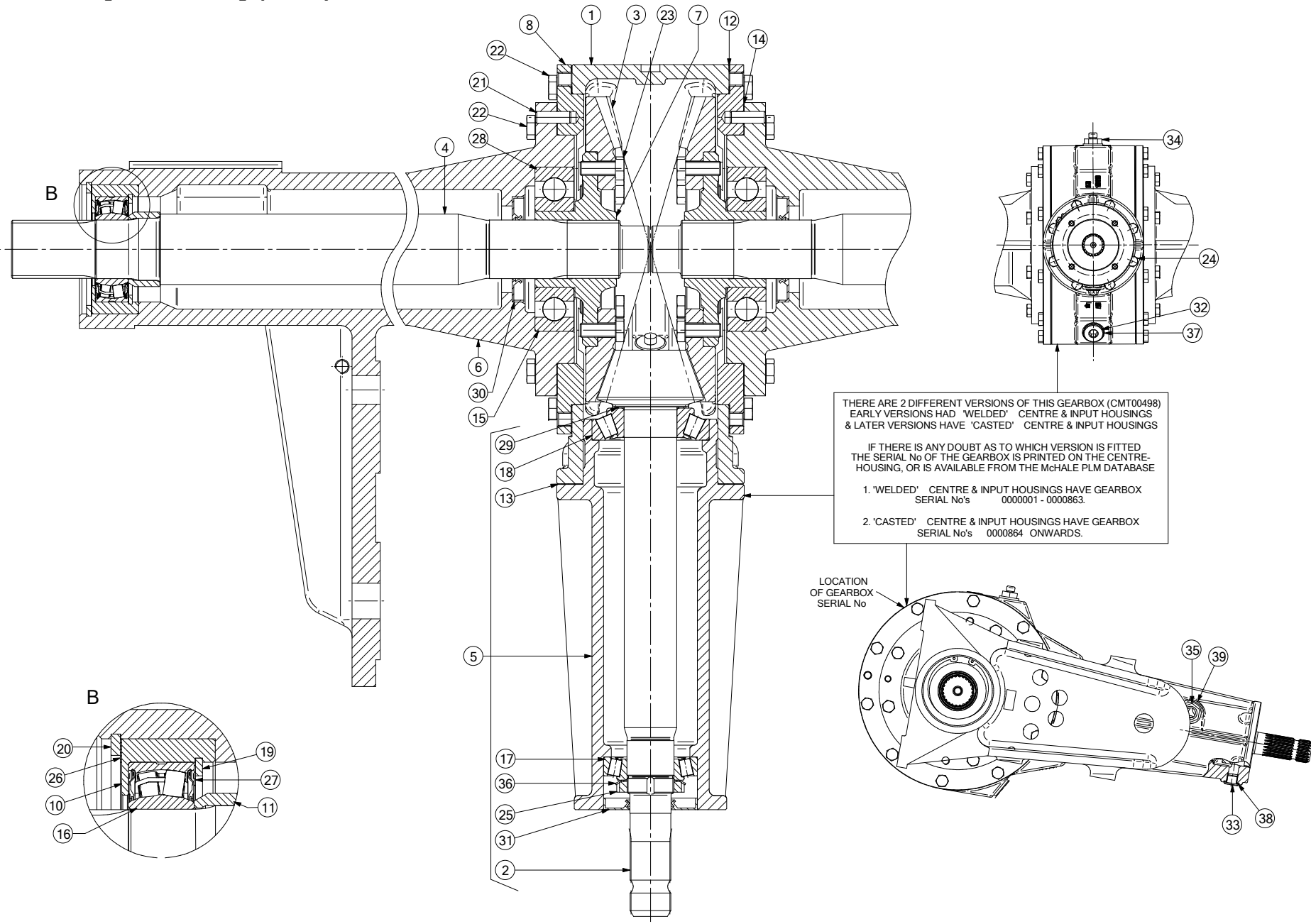
Gearbox 2 [540 RPM] (490)



No.	Part No	Description	Qty
0	CMT00166	GEARBOX COMPLETE WALTERSCHEID COMPLETE 540 RPM GEARBOX ASSEMBLY	1
1	CMT00100	GEAR CASE UP TO SERIAL NO. 654807	1
1	CMT00245	GEAR CASE FROM SERIAL NO. 654808	1
3	CMT00187	BEARING HOUSING UP TO SERIAL NO. 654807	2
3	CMT00246	BEARING HOUSING FROM SERIAL NO. 654808	2
5	CMH00901	REPLACEMENT SHAFT COMPLETE KIT UP TO SERIAL NO. 654807	2
5	CMH02505	SHAFT FROM SERIAL NO. 654808	2
6	CMH00902	GEAR SET CROWN+PINION FUSION WALT. UP TO SERIAL NO. 654807	1
6	CMH02461	BEVEL GEAR PAIR AND PINION KIT FROM SERIAL NO. 654808	1
10	CMH00810	BUSH 45X55X18	2
13	CBR00114	BEARING 6213 C3 UP TO SERIAL NO. 654807	2
13	CBR00296	BEARING 6313 C3 FROM SERIAL NO. 654808	2
14	CBR00113	BEARING 6310 2RSR	2
15	CBR00115	BEARING 30208A	1
16	CBR00116	BEARING 30309A	1
18	CFA00652	CIRCLIP 110X4	2
21	CFA00653	NUT M40X1.5	1
22	CSE00132	RADAIL SEAL 35X80X10	1
24	CSE00133	RADAIL SEAL 50X90X10 UP TO SERIAL NO. 654807	2
24	CSE00162	SEAL RADIAL 50X110X10 FROM SERIAL NO. 654808	2
40	CFA00662	CYLINDRICAL DOWEL M6X32	2
45	CFA00065	SETSCREW M12X45 Z/P	16
48	CSE00127	SEAL O-RING COPPER GEARBOX FSN	4
50	CMT00073	DRAIN PLUG GEARBOX FUSION	4
51	CMH00903	BUSH UP TO SERIAL NO. 654807	2
51	CMH02460	SPACER RING 50X62X3 DIN988 FROM SERIAL NO. 654808	2
330	CFA00654	SHIM 90X100X0.1	2
330	CFA00655	SHIM 90X100X0.3	1
330	CFA00656	SHIM 90X100X0.5	1
330	CFA00657	SHIM 90X100X1.0	1
330	CFA02237	SHIM 90X100X0.15	1
339	CFA00658	SHIM 110X120X0.1 UP TO SERIAL NO. 654807	2
339	CFA00659	SHIM 110X120X0.3 UP TO SERIAL NO. 654807	2
339	CFA00660	SHIM 110X120X0.5 UP TO SERIAL NO. 654807	2

339	CFA00661	SHIM 110X120X0.5 UP TO SERIAL NO. 654807	1
339	CFA02238	SHIM 110X120X0.15 UP TO SERIAL NO. 654807	2
339	CFA00888	SHIM 110X140X0.1 FROM SERIAL NO. 654808	2
339	CFA00889	SHIM 110X140X0.3 FROM SERIAL NO. 654808	2
339	CFA00890	SHIM 110X140X0.5 FROM SERIAL NO. 654808	2
339	CFA00891	SHIM 110X140X1.0 FROM SERIAL NO. 654808	1
345	CFA02239	SHIM 50X62X2.0	2
400	REP00025	GEARBOX REPAIR KIT UP TO SERIAL NO. 654807	1
500	REP00059	GEARBOX REPAIR KIT FROM SERIAL NO. 654808	1

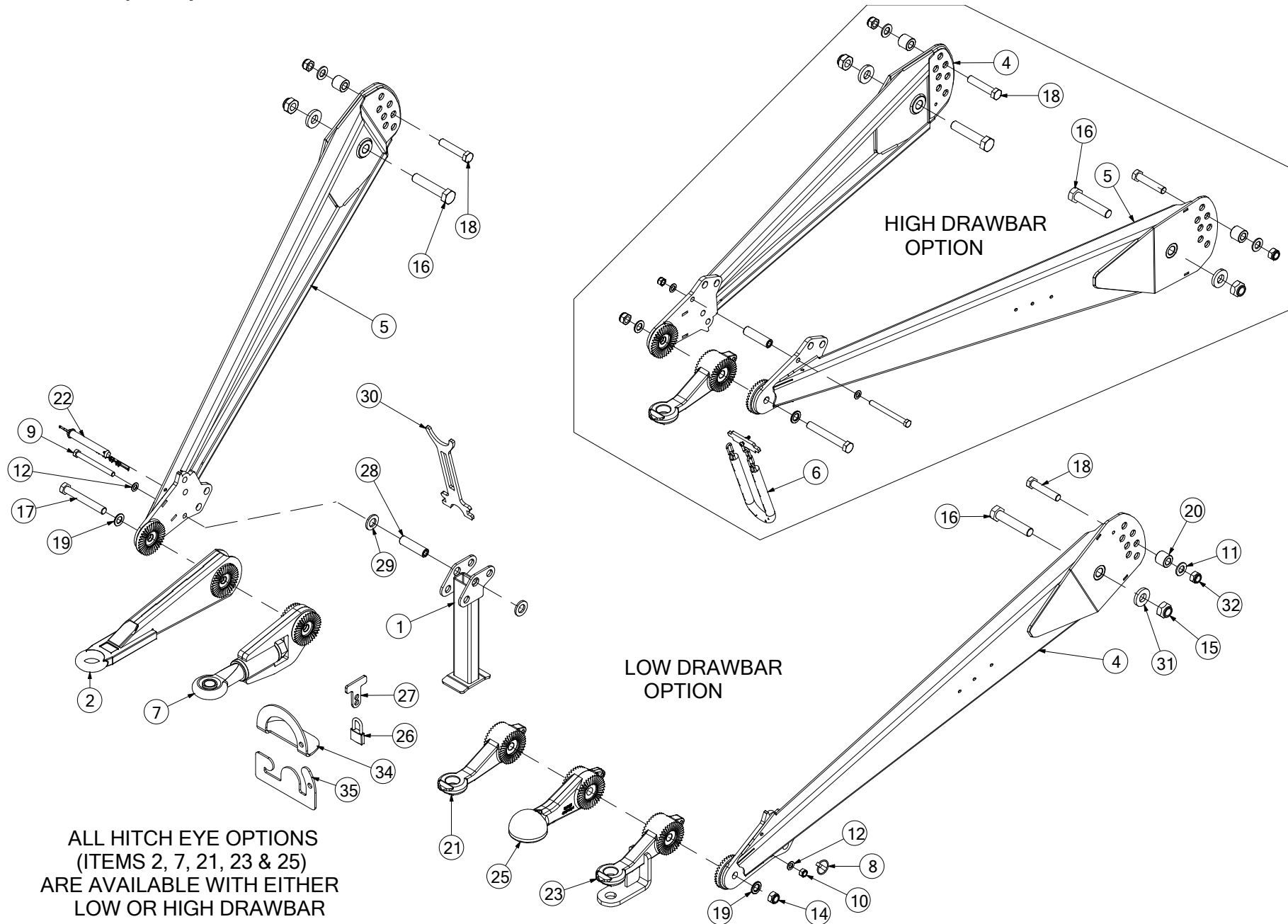
Gearbox 3 [1000 RPM] (1132)



No.	Part No	Description	Qty
1	CMT00498	GEARBOX 1000RPM HEAVY DUTY COMPLETE 1000RPM GEARBOX ASM	1
2	CMT00667	INPUT PINION SHAFT 1000RPM SS ITEM NOT AVAILABLE FOR FUSION 3 PRIOR TO SERIAL No 665220. SO MUST ORDER COMPLETE GEARBOX CMT00498	1
3	CMT00686	CROWN WHEEL 1000RPM SS ITEM NOT AVAILABLE FOR FUSION 3 PRIOR TO SERIAL No 665220. SO MUST ORDER COMPLETE GEARBOX CMT00498	2
4	CMH02253	SHAFT SS GEARBOX	2
5	CMT00668	INPUT SHAFT/HOUSING ASM (WELD) PRIOR TO SERIAL No 665220 SHAFT NOT AVAILABLE FOR FUSION 3 PRIOR TO SERIAL No 665220. SO MUST ORDER COMPLETE GEARBOX CMT00498	1
5	CMT00813	INPUT SHAFT/HOUSING ASSY (WELD) IF ITEM 5 HOUSING IS A WELDMENT, IT MUST BE REPLACED BY CMT00813 (THE CAST HOUSING TYPE WILL NOT FIT)	1
5	CMT00814	INPUT SHAFT/HOUSING ASSY (CAST) IF ITEM 5 HOUSING IS A CASTING, IT MUST BE REPLACED BY CMT00814 (THE WELDED HOUSING TYPE WILL NOT FIT)	1
6	CMT00669	1000RPM GEAR BOX SHAFT HOSUING LHS/RHS	2
7	CMT00670	1000RPM GEARBOX HUB	2
8	CMT00671	BOLT ON COLLAR CENTER HUB 1000RPM GB	2
10	CMT00672	1000RPM GB BEARING BUSHING SHAFT END USED ON ALL (1000RPM) F5-V6-V8-VARIO & USED ON (1000RPM) FUSION 3 SERIES FROM SERIAL No 665220 ONWARDS	2
11	CMT00673	1000RPM GB SLEEVE SHAFT END USED ON ALL (1000RPM) F5-V6-V8-VARIO & USED ON (1000RPM) FUSION 3 SERIES FROM SERIAL No 665220 ONWARDS	2
12	CSE40043	SEAL 313 DIA X265 DIA X0,5 USED ONLY WITH CMT00814 (CAST HOUSING) VERSION OF ITEM 5 (NOT USED WITH WELDED HOUSING VERSION)	2
13	CSE40044	SEAL 158 DIA X115 DIA X0,5 USED ONLY WITH CMT00814 (CAST HOUSING) VERSION OF ITEM 5 (NOT USED WITH WELDED HOUSING VERSION)	1
14	CSE40045	SEAL 248 DIA X195 DIA X0,5 USED ONLY WITH CMT00814 (CAST HOUSING) VERSION OF ITEM 5 (NOT USED WITH WELDED HOUSING VERSION)	2
15	CBR00296	BEARING 6313 C3	2
16	CBR00113	BEARING 6310-2RS1 SKF EXPLORER USED ON (1000RPM) FUSION 3 SERIES ONLY UP TO SERIAL No 665219	2
16	CBR00385	BEARING BS2-2210-2RS - VT143 USED ON ALL (1000RPM) F5-V6-V8-VARIO & USED ON (1000RPM) FUSION 3 SERIES FROM SERIAL No 665220 ONWARDS	2
17	CBR00115	BEARING TAPER 30208A 40X80X20	1
18	CBR02011	BEARING TAPER ROLLER 31309	1
19	CFA00903	CIRCLIP 90MM INTERNAL DIN472 USED ON ALL (1000RPM) F5-V6-V8-VARIO & USED ON (1000RPM) FUSION 3 SERIES FROM SERIAL No 665220 ONWARDS	2
20	CFA00652	CIRCLIP 110 INTERNAL DIN 472	2
21	CFA02419	CYLINDRICAL PIN 10M6X30	2
22	CFA00806	SETSCREW M12X30 8.8 DIN933 PLAIN	36
23	CFA02420	SETSCREW M12X30 10.9 DIN933 PLAIN	16
24	CFA00024	SETSCREW M10X25 Z/P USED WITH CMT00813 (WELD HOUSING) VERSION OF ITEM 5	8
24	CFA00025	SETSCREW M10X30 Z/P USED WITH CMT00814 (CAST HOUSING) VERSION OF ITEM 5	8
25	CFA02421	KM 8 BEARING LOCKNUT	1
26	CFA02208	SHIM 90X110X0.1 USED ON ALL (1000RPM) F5-V6-V8-VARIO & USED ON (1000RPM) FUSION 3 SERIES FROM SERIAL No 665220 ONWARDS	1
26	CFA02209	SHIM 90X110X0.2 USED ON ALL (1000RPM) F5-V6-V8-VARIO & USED ON (1000RPM) FUSION 3 SERIES FROM SERIAL No 665220 ONWARDS	1
26	CFA02210	SHIM 90X110X0.5 USED ON ALL (1000RPM) F5-V6-V8-VARIO & USED ON (1000RPM) FUSION 3 SERIES FROM SERIAL No 665220 ONWARDS	1
26	CFA02211	SHIM 90X110X1 USED ON ALL (1000RPM) F5-V6-V8-VARIO & USED ON (1000RPM) FUSION 3 SERIES FROM SERIAL No 665220 ONWARDS	1
27	CFA02428	SHIM 70X90X0.1	1

27	CFA02429	SHIM 70X90X0.2 USED ON ALL (1000RPM) F5-V6-V8-VARIO & USED ON (1000RPM) FUSION 3 SERIES FROM SERIAL No 665220 ONWARDS	1
27	CFA02425	SHIM 70X90X0.5 USED ON ALL (1000RPM) F5-V6-V8-VARIO & USED ON (1000RPM) FUSION 3 SERIES FROM SERIAL No 665220 ONWARDS	1
28	CFA02430	SHIM 65X85X0.1	1
28	CFA02431	SHIM 65X85X0.2	1
28	CFA02432	SHIM 65X85X0.5	1
28	CFA02424	SHIM 65X85X1	1
29	CFA02204	SHIM 45X56X0.1	1
29	CFA02205	SHIM 45X56X0.2	1
29	CFA02206	SHIM 45X56X0.5	1
29	CFA02207	SHIM 45X56X1	1
30	CSE00133	SEAL RADIAL 50X90X10	2
31	CSE00132	SEAL RADIAL 35X80X10 DIN 3760	1
32	CMT00674	DRAIN PLUG 3/4 GEARBOX	1
33	CFA01216	PLUG G3/8 DIN908	1
34	CMT00675	BREATHER 3/4 1000RPM GEARBOX	1
35	CFA02426	SIGHT GLASS G 1/2 WASHER	1
36	CFA02427	MB8 LOCK WASHER	1
37	CFA02422	WASHER 26X31-AI ALUMINIUM	2
38	CFA01217	WASHER ALUMINIUM 1.5X17X22	1
39	CFA02423	WASHER ALUMINIUM 2X21X27	1

Drawbar HD (1490)

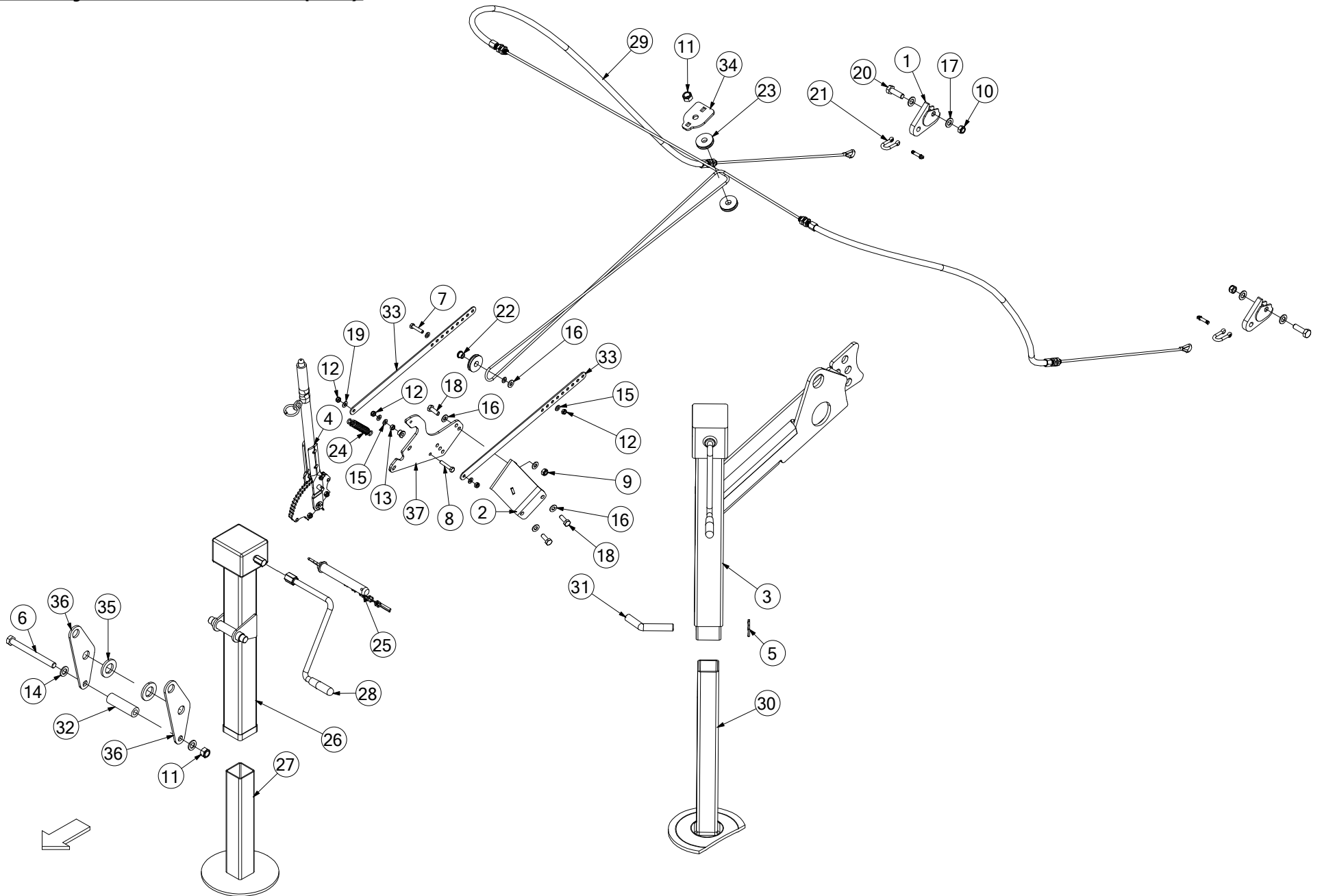


ALL HITCH EYE OPTIONS
(ITEMS 2, 7, 21, 23 & 25)
ARE AVAILABLE WITH EITHER
LOW OR HIGH DRAWBAR

No.	Part No	Description	Qty
0	ADB00140	DRAWBAR COMPLETE ASSEMBLY <i>INCLUDES STANDARD HITCH EYE ITEM 21</i>	1
1	ADB00068	DRAWBAR STAND SWIVEL STANDARD	1
2	ADB00083	HITCH EYE 600MM CTR (NORWAY) <i>OPTIONAL</i>	1
4	ADB00141	DRAWBAR WELD (LEFT) FUSION <i>STANDARD DRAWBAR LH</i>	1
4	ADB00204	DRAWBAR WELD (LONG) LEFT FUSION <i>LONG DRAWBAR LH USED WITH BALL COUPLING (ITEM 25) ONLY</i>	1
5	ADB00142	DRAWBAR WELD (RIGHT) FUSION <i>STANDARD DRAWBAR RH</i>	1
5	ADB00205	DRAWBAR WELD (LONG) RIGHT FUSION <i>LONG DRAWBAR RH USED WITH BALL COUPLING (ITEM 25) ONLY</i>	1
6	ADB00163	HIGH DRAWBAR PTO HOLDER <i>PTO HOLDER FOR HIGH DRAWBAR OPTION ONLY (REPLACES ADB00100)</i>	1
7	ADB00174	HITCH EYE SWIVEL 50MM FUSION 3 <i>OPTIONAL</i>	1
8	CFA00005	LINCH PIN 10MM	1
9	CFA00061	BOLT M16X170 ZP DIN931 8.8 Z/P	1
10	CFA00128	NUT M16 NYLOC	1
11	CFA00135	WASHER FLAT 1" Z/P	2
12	CFA00140	WASHER FLAT 16MM Z/P	2
14	CFA00130	NUT M24 STD NYLOC Z/P	1
15	CFA00420	NUT M30X2 NYLOC DIN985 8.8 Z/P	2
16	CFA00522	BOLT M30X2X150 DIN960 10.9 Z/P	2
17	CFA00795	BOLT M24X3X180 STD GRADE 8.8 Z/P	1
18	CFA00748	BOLT M24X2X120 DIN960 10.9 Z/P	2
19	CFA00796	WASHER PEINER M24 GALV DIN6916	2
20	CMH01005	BUSH 44.45X20X40 <i>BUSH USED WITH STANDARD DRAWBAR</i>	2
20	CMH01950	BUSH 25X60 STEPPED 45 <i>ECCENTRIC BUSH USED WITH LONG DRAWBAR/BALL COUPLING OPTION ONLY</i>	2
21	ADB00150	HITCH EYE COUPLING RING STD Ø40 <i>STANDARD HITCH EYE (ADB00150 IS A DIRECT REPLACEMENT FOR CTP00092 & CTP00317)</i>	1
22	CTP00265	PIN HITCH 1" BALER DRAWBAR	1
23	CTP00274	HITCH EYE AMERICIAN BALER <i>OPTIONAL</i>	1
25	ADB00198	K80 ISO24347 BALL COUPLER SPOON <i>OPTIONAL</i>	1
26	CTP00582	PADLOCK 8MM SHACKLE <i>PADLOCK CAN BE USED WITH ITEM 27 FOR HITCH EYE RINGS OR WITH ITEMS 34 & 35 FOR BALL COUPLER SPOON</i>	1
27	CZF08801	6MM L LOCK OUT PLATE HITCH EYE <i>LOCK PLATE FOR REGULAR HITCH EYE COUPLING RING (ITEMS 2, 7, 21 & 23)</i>	1
28	CXT00419	BUSHING C030X7X112	1
29	CZF04263	6MM L DRAWBAR WASHER Z/P	2
30	CZH02914	10MM L PTO SUPPORT STAND BALER <i>LOW DRAWBAR PTO HOLDER - ONLY USED UP TO SERIAL No 665675 (FUSION) & 900069 (VARIO)</i>	1
31	CZH04335	10MM L WASHER 30X65X10 Z/P	2
32	CFA01252	NUT M24X2 NYLOC DIN985 10.9 Z/P <i>REPLACES CFA00419 NYLOC NUT M24X2 DIN985 8.8 Z/P</i>	2
34	CZF08945	6MM L LOCK PLATE TOP BALL HITCH <i>LOCK PLATE FOR BALL COUPLER SPOON (ITEM 25)</i>	1

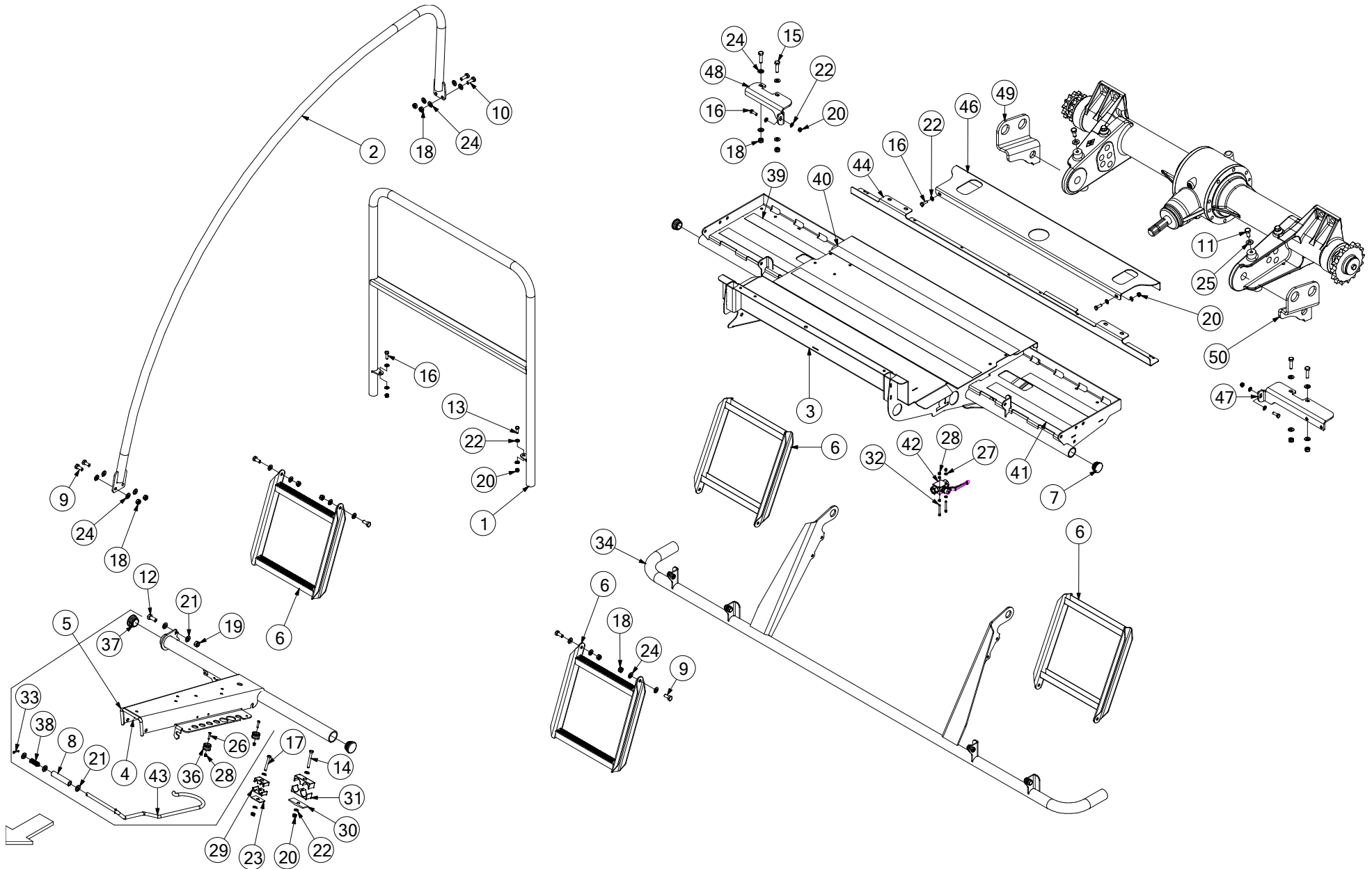
35	CZF08946	6MM L LOCK PLATE BOTTOM BALL HITCH <i>LOCK PLATE FOR BALL COUPLER SPOON (ITEM 25)</i>	1
----	----------	--	---

Screw jack & Handbrake (812)



No.	Part No	Description	Qty
1	ACH02887	HANDBRAKE EXTENSION VARIO TUV	2
2	ADB00120	HANDBRAKE LEVER BRACKET	1
3	ADB00158	SCREW TYPE JACK STD FUSION	1
<i>HIGH HITCH STAND (INCLUDES ITEMS 5, 30 & 31)</i>			
3a	KST00090	HIGHSTAND BEVEL GEAR REPLACEMENT KIT	1
<i>SET OF REPLACEMENT BEVEL GEARS FOR HIGH HITCH STAND REPAIR</i>			
4	CAX00090	HAND BRAKE LEVER	1
4	CAX00154	HAND BRAKE LEVER COMP ASSY	1
<i>USED ON FRENCH MACHINES ONLY</i>			
5	CFA00004	R-CLIP 4MM	1
6	CFA00061	BOLT M16X170 Z/P	1
7	CFA00100	BOLT M8X40 Z/P	1
8	CFA00106	BOLT M8X45 Z/P	1
9	CFA00123	NUT M10 NYLOC	4
10	CFA00126	NUT M14 NYLOC	2
11	CFA00128	NUT M16 NYLOC	2
12	CFA00132	NUT M8 NYLOC Z/P	4
13	CFA00133	NUT M8 Z/P	1
14	CFA00140	WASHER FLAT 16MM Z/P	2
15	CFA00147	WASHER FLAT 8MM Z/P	6
16	CFA00201	WASHER FLAT 10 MM Z/P	9
17	CFA00222	WASHER FLAT 14MM Z/P	4
18	CFA00230	SETSCREW M10X30 Z/P GRADE 12.9	4
19	CFA00249	WASHER SKM8	1
20	CFA00306	SETSCREW M14X45 Z/P	2
21	CFA02217	D SHACKLE 0.5T Z/P	2
22	CMH00742	BUSH 8X20X13 ZINC PLATED	2
23	CMH01186	PULLEY 50X10X16 6MM ROPE	3
24	CSG00211	SRING COIL 3 X 19 X 135 27COILS	1
25	CTP00265	PIN HITCH 1" BALER DRAWBAR	1
<i>INCLUDES CHAIN & LINCH-PIN</i>			
26	ACH00708	PARKING JACK ADJ FUS F5 RANGE	1
<i>LOW HITCH STAND (INCLUDES ITEM 27 & 28) REPLACES CTP00294</i>			
27	CTP00296	PARKING JACK FUS F5 BOTTOM	1
<i>LOW HITCH STAND LEG</i>			
28	CTP00297	PARK JACK HANDLE SQUARE (RUDIFLEX)	1
<i>LOW HITCH STAND ONLY (RUDIFLEX SQUARE)</i>			
28	CTP00612	JACK HANDLE HEXAGONAL HEAD (KNOTT)	1
<i>LOW HITCH STAND ONLY (KNOTT HEX)</i>			
29	CTP00333	HANDBRAKE CABLE FUSION	1
30	CTP00384	LEG EXT PIECE PARKING JACK	1
<i>HIGH HITCH STAND LEG</i>			
31	CTP10002	PIN PARKING JACK BALER	1
32	CXT00502	BUSHING C030X7X100	1
33	CZC04376	3MM L FUSION HANDBRAKE	2
34	CZF03267	6MM L PULLEY COVER FUSION2	1
35	CZF04263	6MM L DRAWBAR WASHER Z/P	2
36	CZF04979	6MM L STAND TRANSPORT BRACKET	2
37	CZF05030	6MM L HAND BRAKE LEVER BASE	1

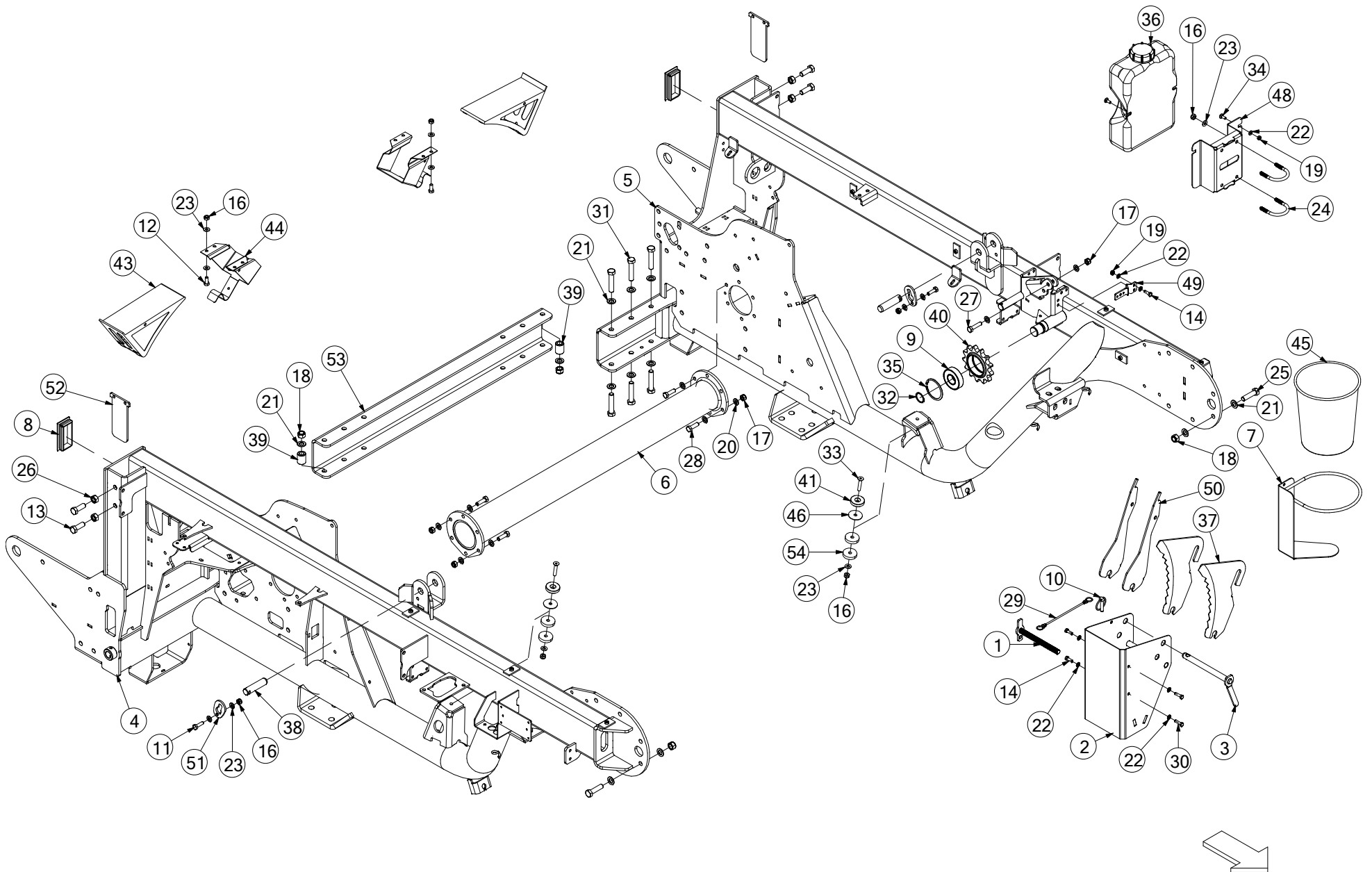
Steps & Platform (1489)



No.	Part No	Description	Qty
1	ACH01269	HAND RAIL FRONT PLATFORM	1
2	ACH02578	CURVED HAND RAIL WELD ASM F3	2
3	ACH02579	PLATFORM WELD ASSY PLASTIC PANEL FUSION 3	1
4	ACN00197	HOSE TRAY WELD ASSM	1
5	ACN00198	HOSE TRAY COMP ASSM	1
6	ART00349	LOWER STEP ASSEMBLY F5	4
7	CBC00005	CAP PLASTC INSERT ROUND 42.4MM	2
8	CBC00177	14MM ID NYLON TUBING	1
9	CFA00024	SETSCREW M10X25 Z/P	12
10	CFA00025	SETSCREW M10X30	4
11	CFA00031	SETSCREW M12X25 Z/P	4
12	CFA00032	SETSCREW M12X30 Z/P	1
14	CFA00056	BOLT M8X65 Z/P	1
15	CFA00071	BOLT M10X40	4
16	CFA00102	SETSCREW M8X25 Z/P	5
17	CFA00108	BOLT M8X55 Z/P	1
18	CFA00123	NUT M10 NYLOC	18
19	CFA00124	NUT M12 NYLOC	1
20	CFA00132	NUT M8 NYLOC Z/P	7
21	CFA00138	WASHER FLAT 12MM Z/P	5
22	CFA00147	WASHER FLAT 8MM Z/P	14
23	CFA00183	HOSE CLAMP COVER PLATE 14-18	1
24	CFA00201	WASHER FLAT 10 MM Z/P	40
25	CFA00250	WASHER SKM12	4
26	CFA00261	SETSCREW M5X25 CSK HEX SS	2
27	CFA00320	WASHER FLAT 5MM	4
28	CFA00321	NUT M5 NYLOC	4
29	CFA00374	14MM HOSE CLAMP	2
30	CFA00584	HOSE CLAMP COVER PLATE 30MM	1
31	CFA00585	HOSE CLAMP 30MM (2 PER SET)	2
32	CFA00969	BOLT M5 X 45 Z/P GRADE 8.8	2
33	CFA02301	4 X 25 SPLIT PIN Z/P	1
34	CGD00295	GUARD FRONT FUSION 3	1
36	CMH02599	HYD COUPLING PARKING 3/4 FEM/BRAKE	2
37	CPL00086	BLANKING CAP 40MM ID	2
38	CSG00316	SPRING COMP 2X16.2X40	1
39	CST00742	GRIP STRIP PLATFORM	2
40	CST00757	GRIP TAPE FOR PLATFORM	2
41	CST00764	GRIP TAPE FOR PLATFORM 500MM	2
42	CVA00613	VALVE 3/8 W LEVER LOCK & HOLES	1
43	CXR00303	ROD 12 X 785 FORMED	1
44	CZC02317	3MM L HOSE TRAY FUSION II	1
<i>540 RPM GEARBOX</i>			
44	CZC02592	3MM HOSE TRAY FUSION 3 1000RPM	1
<i>1000 RPM GEARBOX (RH SIDE)</i>			
44	CZC02593	3MM HOSE TRAY FUSION 3 1000RPM	1
<i>1000 RPM GEARBOX (LH SIDE)</i>			
46	CZB04749	1.5MM L COVER PLATE FUSION 3 PLUS	1
47	ALA00549	PLATFORM BRACKET ASSY LH FUSION 3	1

48	CZF06301	6MM L PLATFORM RH PLATE FUSION 3	1
49	CZH08465	10MM L LIFTING EYE RH FUSION 3	1
50	CZH08466	10MM L LIFTING EYE LH FUSION 3	1

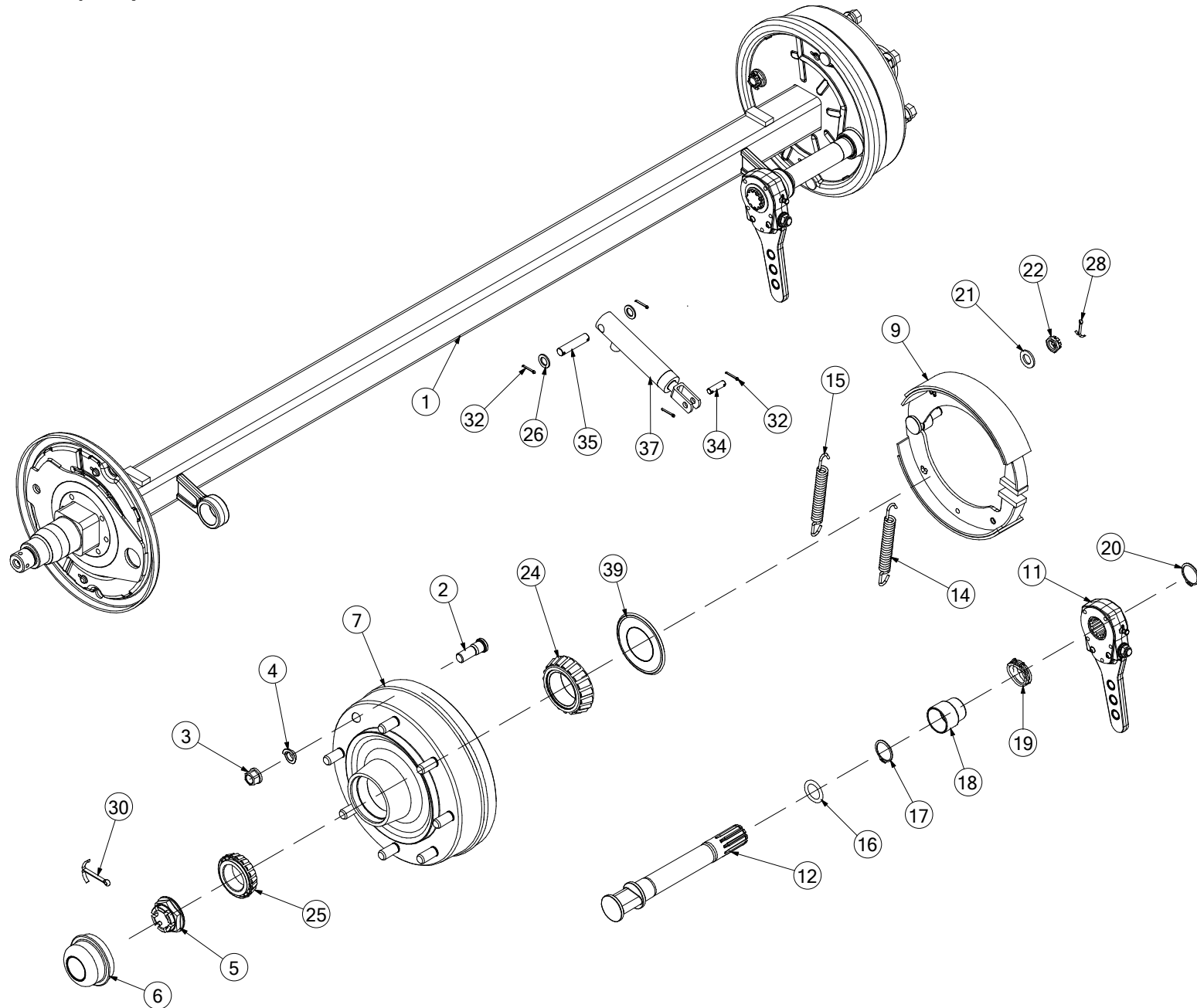
Chassis (1449)



No.	Part No	Description	Qty
1	ACH00451	KNIFE HOLDER THREADED BAR ASSY	1
2	ACH02564	SPARE KNIFE BRACKET FUS 3	1
3	ACH02593	PIN ASSEMBLY 20MM SPARE KNIFE HOLDER	1
4	ACH02992	CHASSIS RH FUSION 3	1
5	ACH02993	CHASSIS LH FUSION 3	1
6	ACH02995	CHASSIS BEAM FRONT FUSION 3	1
7	ACH03115	STORAGE BIN BRACKET WELD	1
8	CBC00001	CAP PLASTIC INSERT 120 X 60	2
9	CBR00294	BEARING 6307 2RS	1
10	CFA00005	LINCH PIN 10MM	1
11	CFA00016	BOLT M10X35	2
12	CFA00024	SETSCREW M10X25 Z/P	8
13	CFA00074	SETSCREW M16X45 Z/P	4
14	CFA00102	SETSCREW M8X25 Z/P	4
16	CFA00123	NUT M10 NYLOC	12
17	CFA00124	NUT M12 NYLOC	13
18	CFA00128	NUT M16 NYLOC	24
19	CFA00132	NUT M8 NYLOC Z/P	12
20	CFA00138	WASHER FLAT 12MM Z/P	26
21	CFA00140	WASHER FLAT 16MM Z/P	48
22	CFA00147	WASHER FLAT 8MM Z/P	14
23	CFA00201	WASHER FLAT 10 MM Z/P	22
24	CFA00952	U-BOLT M10 60.3 TUBE	2
25	CFA00219	BOLT M16X60	12
26	CFA00231	NUT M16 Z/P	4
27	CFA00270	SETSCREW M12X50 Z/P	1
28	CFA00297	BOLT M12X40 Z/P	12
29	CFA00476	RUBBER STRAP 240 MM	1
30	CFA00491	SETSCREW M8X30 Z/P	2
31	CFA00498	BOLT M16 X 80 Z/P	12
32	CFA00514	CIRCLIP 35MM EXTERNAL	1
33	CFA02225	SETSCREW M10X55 CSK ALLEN HD Z/P	2
34	CFA00506	SETSCREW M8X20 CUPHEAD SQ ZP	2
35	CFA00882	80MM INTERNAL CIRCLIP DIN 472	1
36	CPL00323	MCHALE 8LTR OIL RESERVOIR ASSEM	1
37	CKN00014	KNIFE CHOPPER UNIT STD (LONG)	2
38	CMH00422	PIN 25 X 100 MILLED FOR CAP Z/P	2
39	CMH01028	BUSH 17X30X39	12
40	CMH01252	SPROCKET 1 1/4" 13 TOOTH	1
41	CMH01777	DOOR STOP BOTTOM DOOR FUSION	2
43	CTP00075	PARKING CHOCKS BALE	2
44	CTP00076	BRACKET FOR PARKING CHOCK	2
45	CTP00726	STORAGE BIN	1
46	CZB04726	2MM L WASHER 10.5X50	1
48	CZC06632	3MM L OIL TANK HOLDER	1
49	CZD03012	4MM L OILER BRACKET FUSION 3	1
50	CZE00143	5MM L KNIFE BLANK BLR STANDARD	13
51	CZF00293	6MM L CAP SHORT FOR 25MM PINS	2
52	CZF04516	6MM L CHASSIS PART FUSION	2

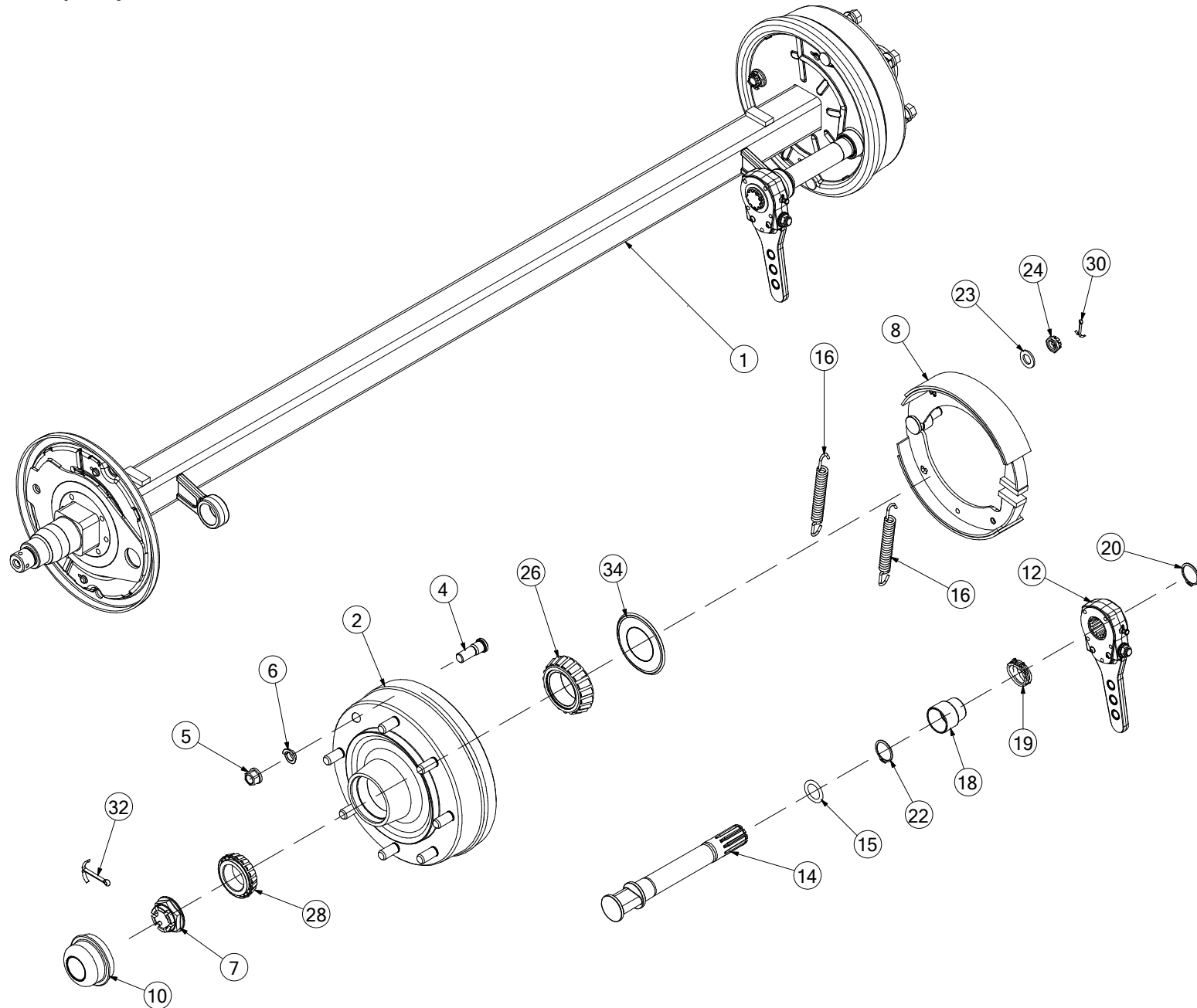
53	CZG04802	8MM L CHASSIS REAR CHANNEL FUSION	1
54	CZH02093	10MM L WASHER 10X50 Z/P	4

Axle Hyd-brake (941)



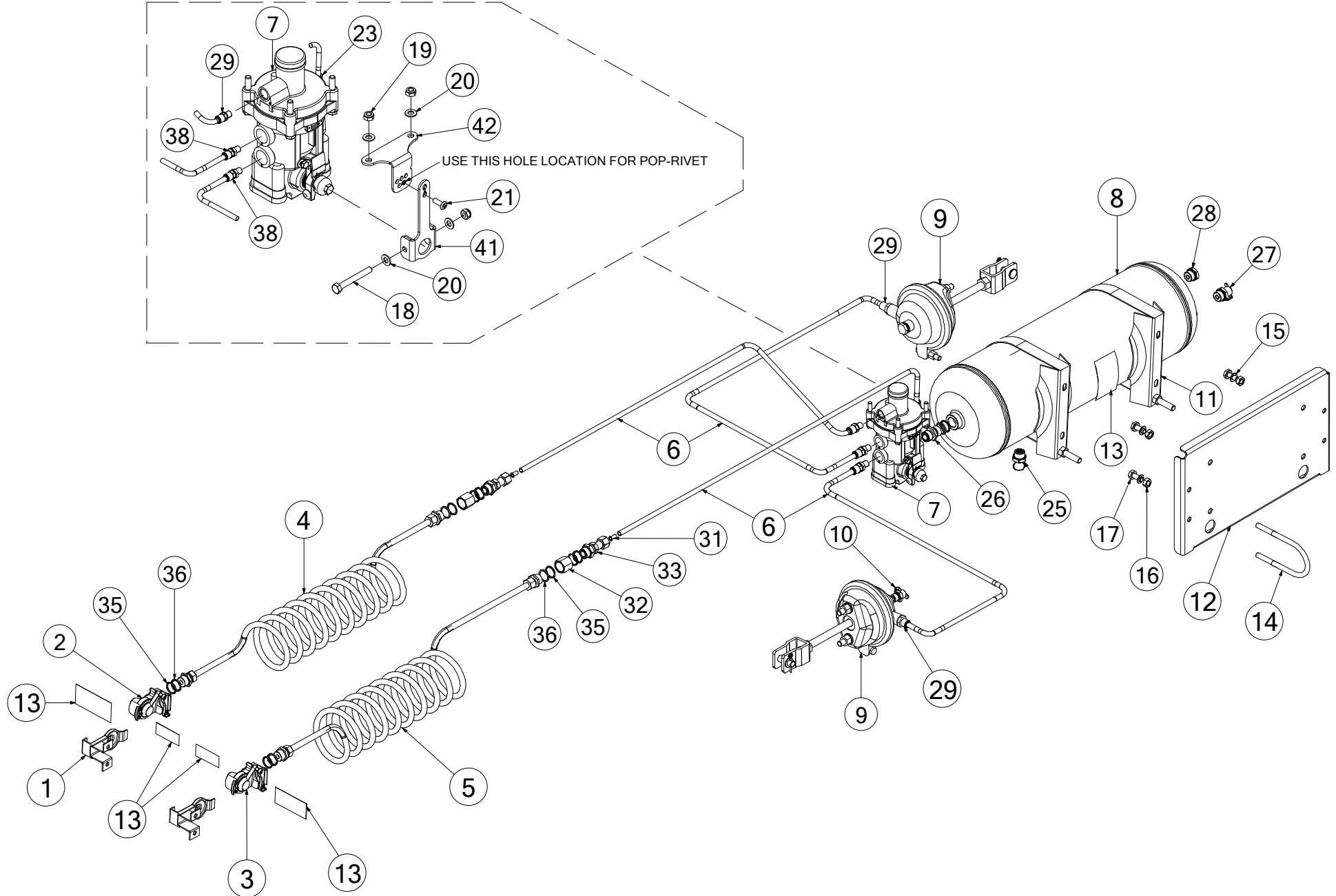
No.	Part No	Description	Qty
1	CAX00096	AXLE 80MM FUSION 300X90 HYD BRAKE <i>COMPLETE AXLE ASM INCLUDING ITEMS 2 THROUGH 39</i>	1
2	CAX00055	STUD FOR AXLE B80L030D/S	16
3	CAX00056	NUT M18X1.5X27AF AX B80L030D/S	16
4	CAX00057	WASHER 18MM AXLE B80L030D/S	16
5	CAX00059	HUB NUT (B80L030D/S) 328F014	2
6	CAX00098	HUB CAP FUSION 307F050	2
7	CAX00099	BRAKE HUB FUSION2 300X90 ASSY <i>INCLUDES ITEMS 2, 24, 25 & 39</i>	2
9	CAX00112	BRAKE SHOE ASM 300X90 CAX00096 <i>INCLUDES SPRINGS (ITEMS 14 & 15)</i>	2
11	CAX00132	ADJUSTABLE BRAKE LEVER FAD 320F082	2
12	CAX00183	CAMSHAFT CAX00096 HYD BRAKE S/N 653704 ON <i>USED FROM SERIAL No 653704</i>	2
12	CAX00199	CAMSHAFT SHORT CAX00096 HYD BRAKE UP TO S/N 653703 <i>USED UP TO SERIAL No 653703</i>	2
14	CAX00185	SPRING CAX00096 HYD BRAKE 322F005	2
15	CAX00186	SPRING CAX00096 HYD BRAKE 322F006	2
16	CAX00187	O RING CAX00096/101 BRAKE 341F069	2
17	CAX00189	CIRCLIP CAX00096 BRAKE 341F043	2
18	CAX00190	SLEEVE CAX00096/101 BRAKE 349F0341	2
19	CAX00191	SPRING CLIP CAX00096/101 BRAKE 322F046	2
20	CAX00192	CIRCLIP CAX00096/101 BRAKE 341F044	2
21	CAX00193	WASHER 17X30X1.6 CAX00096 BRAKE 329F011	2
22	CAX00194	NUT CASTLE M18X1.5 CAX00096 BRAKE 328F002	2
24	CBR00100	BEARING WHEEL 32215 FUSION <i>PART OF WHEEL BEARING KIT CAX00121 (ITEMS 24, 25 & 39)</i>	2
25	CBR00282	WHEEL BEARING 32212 <i>USED FROM SERIAL No 653704 (PART OF WHEEL BEARING KIT CAX00121)</i>	2
25	CBR00099	BEARING WHEEL 32211 FUSION <i>USED UP TO SERIAL No 653703 (PART OF WHEEL BEARING KIT CAX00121)</i>	2
26	CFA00413	WASHER FLAT 20MM ZP	4
28	CFA00322	SPLIT PIN 3X50 Z/P	2
30	CFA00410	SPLIT PIN 6X90	2
32	CFA00450	SPLIT PIN 4X36 ZP	8
34	CMH00829	PIN 14X50 & 2 4.5 HOLES 344FM04	2
35	CMH00830	PIN 20X90 & 2 4.5 HOLES 344FM11	2
37	CRA00100	RAM BRAKE OPERATING 998/FUSION	2
39	CSE00014	SEAL HUB 80L030D/S FUSION BRAKE <i>PART OF WHEEL BEARING KIT CAX00121 (ITEMS 24, 25 & 39)</i>	2

Axle Air-brake (942)



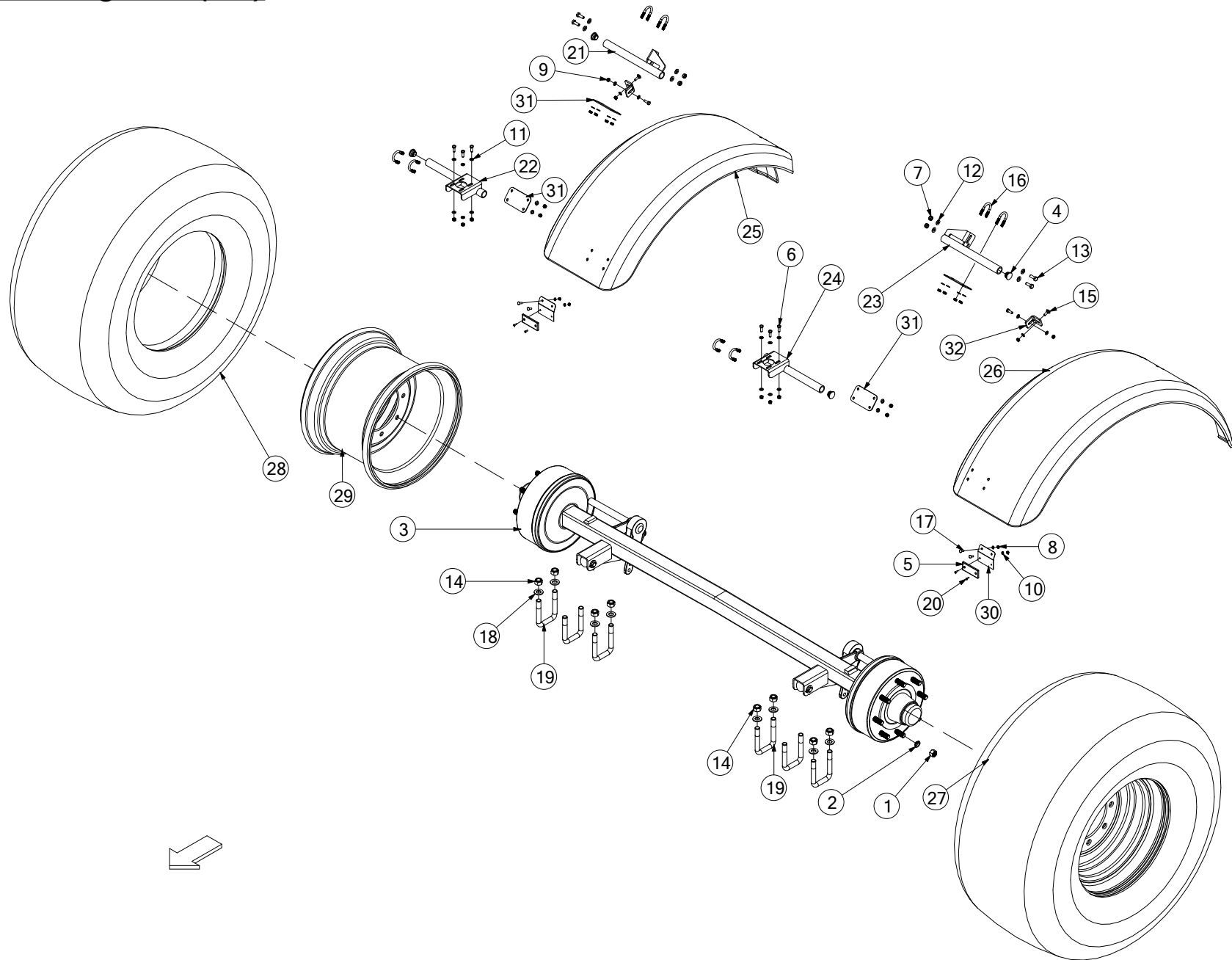
No.	Part No	Description	Qty
1	CAX00101	AXLE 80MM FUSION2 400X80 AIR BRAKE	1
<i>COMPLETE AXLE ASM INCLUDING ITEMS 2 THROUGH 34</i>			
2	CAX00048	BRAKE HUB AIR 32212 OUTER BRNG	2
<i>INCLUDES ITEMS 4, 26, 28 & 34</i>			
4	CAX00055	STUD FOR AXLE B80L030D/S	16
5	CAX00056	NUT M18X1.5X27AF AX B80L030D/S	16
6	CAX00057	WASHER 18MM AXLE B80L030D/S	16
7	CAX00059	HUB NUT (B80L030D/S) 328F014	2
8	CAX00060	BRAKE SHOE ASM 400X80 CAX00101	2
<i>INCLUDES SPRINGS (ITEMS 16)</i>			
10	CAX00098	HUB CAP FUSION 307F050	2
12	CAX00132	ADJUSTABLE BRAKE LEVER FAD 320F082	2
14	CAX00184	CAMSHAFT CAX00101 AIR BRAKE S/N 653793 ON	2
<i>USED FROM SERIAL No 653793</i>			
14	CAX00200	CAMSHAFT SHORT CAX101 AIR BRAKE UP TO S/N 653792	2
<i>USED UP TO SERIAL No 653792</i>			
15	CAX00187	O RING CAX00096/101 BRAKE 341F069	2
16	CAX00188	SPRING CAX00101 BRAKE 322F016	4
18	CAX00190	SLEEVE CAX00096/101 BRAKE 349F0341	2
19	CAX00191	SPRING CLIP CAX00096/101 BRAKE 322F046	2
20	CAX00192	CIRCLIP CAX00096/101 BRAKE 341F044	2
22	CAX00195	CIRCLIP CAX00101 BRAKE 332F009	2
23	CAX00197	WASHER 28X50X4 BRAKE CAX00101 AIR 329F012	2
24	CAX00198	NUT CROWN M27X2 BRAKE CAX00101 AIR 328F004	2
26	CBR00100	BEARING WHEEL 32215 FUSION	2
<i>PART OF WHEEL BEARING KIT CAX00121 (ITEMS 26, 28 & 34)</i>			
28	CBR00282	WHEEL BEARING 32212	2
<i>USED FROM SERIAL No 653704 (PART OF WHEEL BEARING KIT CAX00121)</i>			
28	CBR00099	BEARING WHEEL 32211 FUSION	2
<i>USED UP TO SERIAL No 653703 (PART OF WHEEL BEARING KIT CAX00121)</i>			
30	CFA00021	SPLIT PIN 4X50 Z/P	2
32	CFA00410	SPLIT PIN 6X90	2
34	CSE00014	SEAL HUB 80L030D/S FUSION BRAKE	2
<i>PART OF WHEEL BEARING KIT CAX00121 (ITEMS 26, 28 & 34)</i>			

Air brake kit [From Serial No 666414 (F3) & 900780 (Vario)] (1420)



No.	Part No	Description	Qty
1	CVA00328	COUPLER BRACKET	2
2	CVA00126	PALM QUICK FIT COUPLING (YELLOW) M22	1
3	CVA00127	PALM QUICK FIT COUPLING (RED) M22	1
4	CHY02557	SERVICE SUZZIE (YELLOW)	1
5	CHY02558	EMERGENCY SUZZIE (RED)	1
6	CHY02559	10MM O/D NYLON AIR BRAKE HOSE	AR
7	CVA00748	COMBINED RELAY LOAD VALVE	1
8	CVA10043	20LTR AIR RESERVOIR	1
<i>TANK</i>			
9	CVA00671	AIR BRAKE ACTUATOR TRACTAIR T16	2
9	CVA00743	AIR HYDRAULIC BRAKE ACTUATOR 12 25	2
10	CVA00327	AIR BRAKE M16 TEST POINT	1
11	CVA00325	RESERVOIR SADDLE	2
<i>SADDLE BRACKET</i>			
12	CZC04641	3MM L AIR BRAKE TANK BRACKET FUSION	1
<i>MTG PLATE</i>			
13	CST00808	DECAL KIT FOR CHY2567 AIR BRAKE	1
14	CFA00952	U-BOLT M10 Z/P	2
15	CFA00201	WASHER FLAT 10 MM Z/P	12
16	CFA00123	NUT M10 NYLOC	8
17	CFA00024	SETSCREW M10X25 Z/P	4
18	CFA00056	BOLT M8X65 Z/P	1
19	CFA00132	NUT M8 NYLOC Z/P	3
20	CFA00147	WASHER FLAT 8MM Z/P	4
21	CFA00807	POP RIVET 6.4X18	1
23	CHY03063	M16X1.5 - 10MM ELBOW PUSHFIT	1
25	CVA00803	M22 MANUAL DRAIN VALVE AIR TANK	1
26	CVA00804	M22X1.5 M-M 35MM LONG BULKHEAD TANK	1
<i>ALSO ORDER 26a, 26b & 26c ITEMS</i>			
26a	CVA00801	M22 O-RING SUPPORT NUT	1
26b	CVA00802	M22 VITON O-RING TO SUIT LOCKNUT	1
<i>TANK END</i>			
26c	CHY03151	M22 DOWTY SEAL TRACTAIR	1
<i>VALVE END</i>			
27	CVA00805	M22X1.5 MALE TEST POINT TANK	1
28	CVA00809	M22X1.5 BRASS HEX PLUG + O-RING	1
29	CVA10031	M16 10MM PUSH ADAPTOR AIR BRAKE	3
31	CVA10034	7MM INSERT TRACTAIR (10MMTUBE)	2
32	CVA10035	M22 FEM-FEM ADAPTOR TRACTAIR	2
33	CVA10036	M22 - M16 BULKHEAD 10MM ASMBLY	2
35	CVA10038	M22 O RING TRACTAIR	6
36	CVA10039	M22 THRUST WASHER TRACTAIR	6
38	CVA10042	M22 10MM PUSHFIT ADAPTOR	2
41	CZC05679	3MM L AIR REGULATOR LOCK BRACKET	1
42	CZC05680	3MM L AIR REGULATOR LOCK BRACKET	1

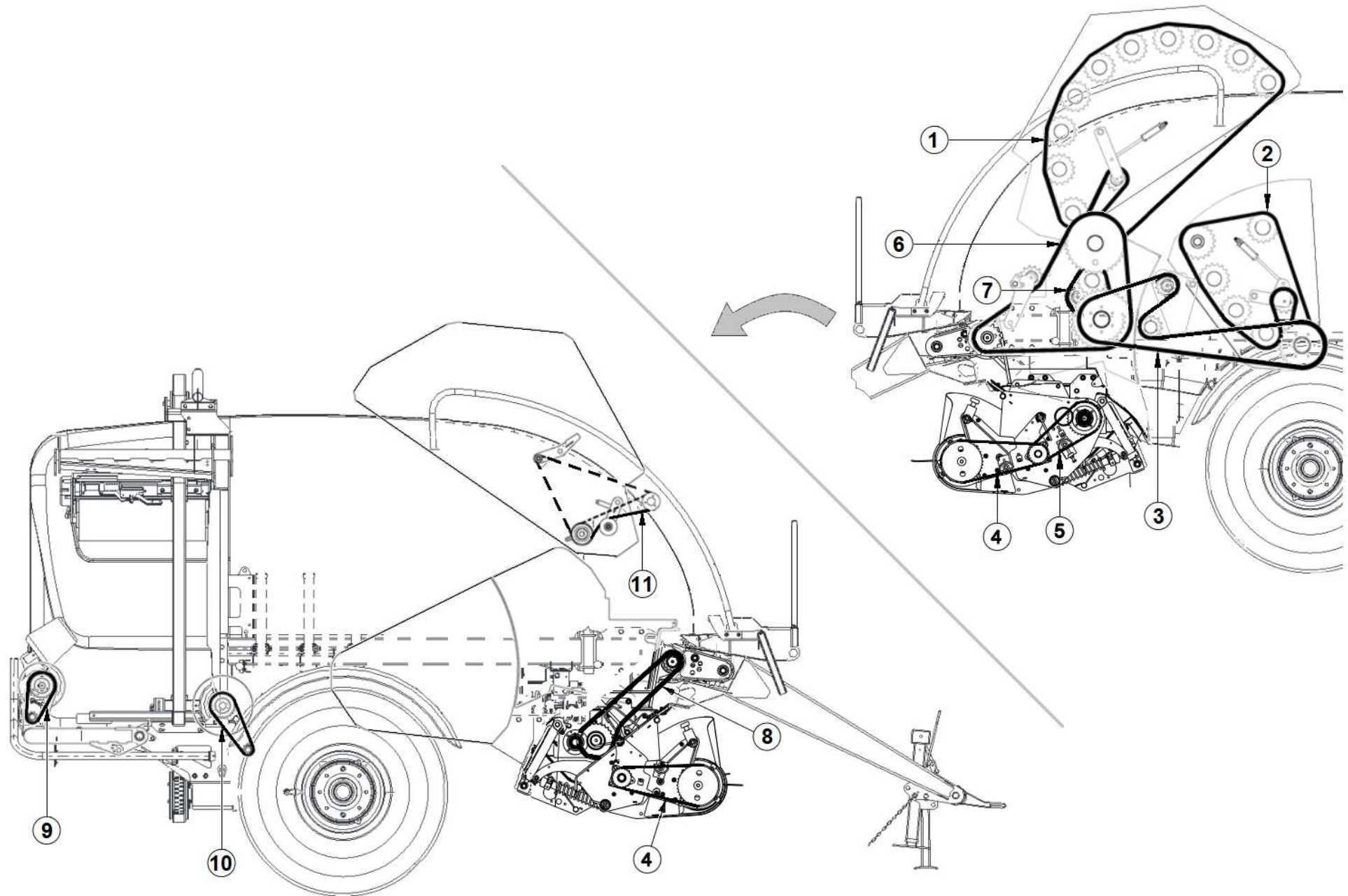
Wheels & Mudguards (813)



No.	Part No	Description	Qty
1	CAX00056	NUT FOR AXLE B80L030D/S	16
2	CAX00057	WASHER FOR AXLE B80L030D/S	16
3	CAX00096	AXLE 80MM FUSION 300X90 HYD BRAKE	1
3	CAX00101	AXLE 80MM FUSION2 400X80 AIR BRAKE	1
4	CBC00010	CAP PLASTIC INSERT 1"	4
5	CEL00079	REFLECTOR FRONT RECTANGULAR	2
6	CFA00102	SETSCREW M8X25 Z/P	10
7	CFA00123	NUT M10 NYLOC	4
8	CFA00131	NUT M6 NYLOC	4
9	CFA00132	NUT M8 NYLOC Z/P	28
10	CFA00144	WASHER FLAT 6MM Z/P	4
11	CFA00147	WASHER FLAT 8MM Z/P	38
12	CFA00201	WASHER FLAT 10 MM Z/P	8
13	CFA00230	SETSCREW M10X30 Z/P GRADE 12.9	4
14	CFA00418	NUT M20X1.5 NYLOC FINE THREAD	12
15	CFA00591	BOLT M8X25 CUP SQ Z/P	2
16	CFA00943	U-BOLT M8X1.25X45X55 FOR 33.7 TUBE	8
17	CFA01142	SETSCREW M6X20 CUPHEAD Z/P 8.8 DIN603	4
18	CFA02223	WASHER M20 DIN6916 GALV HV PEINER	12
19	CFA02240	U-BOLT M20X1.5X101X130	6
19	CFA02302	U-BOLT M20X1.5X101X150	6
<i>USED WITH 710 WHEELS ONLY ALONG WITH 20MM AXLE PLATES (CZL02042)</i>			
19	CFA00663	BOLT M20X220 FINE 10.9 SC	8
<i>USED ON KOREAN MACHINES ONLY ALONG WITH 20MM AXLE PLATES (CZL02032)</i>			
20	CFA02339	POP RIVET ALU 4X14	4
21	CGD00298	MUDGUARD BRACKET WELD RH REAR	1
22	CGD00299	MUDGUARD BRACKET WELD RH FRONT	1
23	CGD00307	MUDGUARD BRACKET WELD LH REAR	1
24	CGD00308	MUDGUARD BRACKET WELD LH FRONT	1
25	CPL00148	PLASTIC MUDGUARD RH	1
<i>FOR WHEEL WIDTH LESS THAN 600</i>			
25	CPL00298	MUDGUARD WIDE RH FUSION	1
<i>FOR WHEEL WIDTH GREATER THAN 600 (REPLACES STD MUDGUARD + EXTENSION PLATE CZB04443)</i>			
26	CPL00153	PLASTIC MUDGUARD LH	1
<i>FOR WHEEL WIDTH LESS THAN 600</i>			
26	CPL00297	MUDGUARD WIDE LH FUSION	1
<i>FOR WHEEL WIDTH GREATER THAN 600 (REPLACES STD MUDGUARD + EXTENSION PLATE CZB04443)</i>			
0	0	0	0
27	CWH00305	WHEEL ASY 560/60R22.5 VREDESTEIN TRAC	2
<i>STANDARD - INCLUDES TYRE & WHEEL RIM (ITEMS 28 & 29)</i>			
28	CWH00308	TYRE 560/60R22.5 VREDESTEIN FLOTATION TRAC	2
<i>STANDARD</i>			
29	CWH00066	RIM 16x22.5 (8-STUD -50 OFFSET)	2
<i>STANDARD</i>			
0	0	0	0
27	CWH00053	WHEEL ASY 560/60R22.5 VREDESTEIN	2
<i>OPTIONAL - INCLUDES TYRE & WHEEL RIM (ITEMS 28 & 29)</i>			
28	CWH00055	TYRE 560/60R22.5 FLOTATION PRO	2
<i>OPTIONAL</i>			
29	CWH00034	WHEEL RIM 16X22.5	2
<i>OPTIONAL</i>			

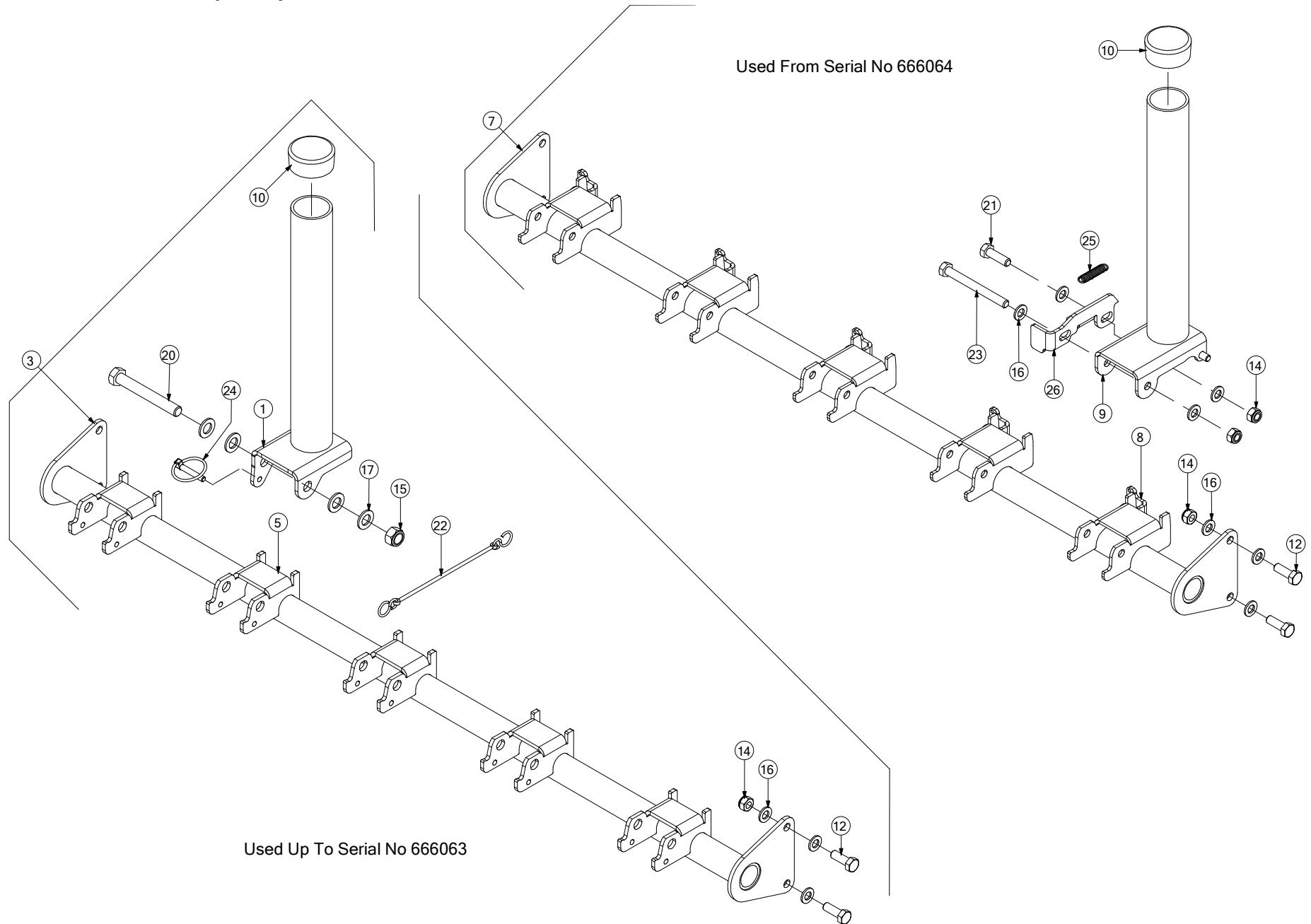
0	0	0	0
27	CWH00068	WHEEL ASY 560/60R22.5 BKT	2
<i>OPTIONAL - INCLUDES TYRE & WHEEL RIM (ITEMS 28 & 29)</i>			
28	CWH00074	TYRE 560/60R22.5 AGRIMAX FL 630	2
29	CWH00034	WHEEL RIM 16X22.5	2
0	0	0	0
27	CWH00088	WHEEL 650/55 R22.5 BKT	2
<i>OPTIONAL - INCLUDES TYRE & WHEEL RIM (ITEMS 28 & 29)</i>			
28	CWH00273	TYRE 650/55 R22.5 BKT	2
29	CWH00057	WHEEL RIM 20X22.5	2
0	0	0	0
27	CWH00054	WHEEL ASY 650/50R22.5 VREDESTEIN	2
<i>OPTIONAL - INCLUDES TYRE & WHEEL RIM (ITEMS 28 & 29)</i>			
28	CWH00056	TYRE 650/50R22.5 FLOTATION PRO	2
29	CWH00057	WHEEL RIM 20X22.5	2
0	0	0	0
27	CWH00290	WHEEL 650/50R22.5 ALLIANCE 885	2
<i>OPTIONAL - INCLUDES TYRE & WHEEL RIM (ITEMS 28 & 29)</i>			
28	CWH00291	TYRE 650/50 R22.5 ALLIANCE 885	2
29	CWH00057	WHEEL RIM 20X22.5	2
0	0	0	0
27	CWH00281	WHEEL ASSY 680 50 R22.5 FLO TRAC	2
<i>OPTIONAL - INCLUDES TYRE & WHEEL RIM (ITEMS 28 & 29)</i>			
28	CWH00292	TYRE 680 50 R22.5 TRAC VRED	2
29	CWH00057	WHEEL RIM 20X22.5	2
0	0	0	0
27	CWH00271	WHEEL ASSY 710/45R22.5 TRAC-35 VREDESTEIN	2
<i>OPTIONAL (MACHINES PRIOR TO SERIAL No 659341 ALSO ORDER 2X SPACERS CZL02042 & 6X U-BOLTS CFA02302)</i>			
28	CWH00278	TYRE 710/45 R22.5 FLO-TRAC VREDESTEIN	2
29	CWH00279	WHEEL RIM 24.00X22.5 (OFFSET -35MM)	2
<i>OPTIONAL (MACHINES PRIOR TO SERIAL No 659341 ALSO ORDER 2X SPACERS CZL02042 & 6X U-BOLTS CFA02302)</i>			
0	0	0	0
30	CZB04751	1.5MM L REFLECTOR PLATE	2
31	CZC04658	3MM L MUDGUARD BACKING PLATE FRONT	4
32	CZF06383	6MM PLATE MUDGUARD	2

Chains & Belts [From Serial No 669300] (1450)



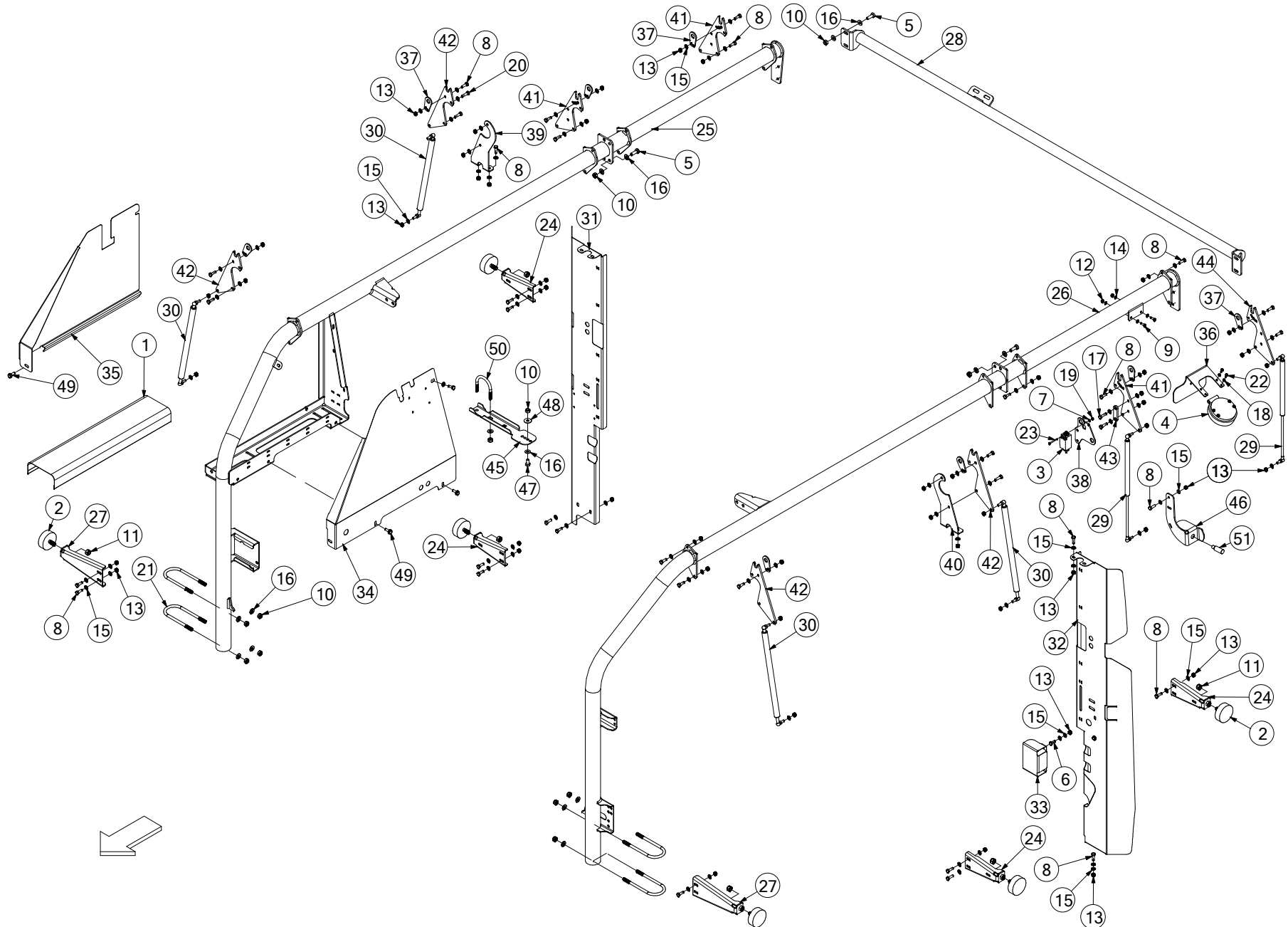
No.	Part No	Description	Qty
1	CCH00036	20B 164 PITCHES + CON LINK	1
1a	CCH00031	CHAIN LINK CONN 20B 1 1/4	1
1b	CCH00032	CHAIN LINK OFFSET 20B 1 1/4	1
2	CCH00038	20B 105 PITCHES+CON LINK	1
2a	CCH00031	CHAIN LINK CONN 20B 1 1/4	1
2b	CCH00032	CHAIN LINK OFFSET 20B 1 1/4	1
3	CCH00037	20B 124 PITCHES + CON LINK	1
3a	CCH00031	CHAIN LINK CONN 20B 1 1/4	1
3b	CCH00032	CHAIN LINK OFFSET 20B 1 1/4	1
4	CCH02062	CHAIN ASA60H 70 PITCH+CON LINK	2
<i>CAM-LESS PICK-UP ONLY (CAN ALSO USE CCH00004 BY REMOVING 2 LINKS)</i>			
4a	CCH02021	CHAIN LINK CONN ASA60H 3/4"	1
4b	CCH02022	CHAIN LINK OFFSET ASA60H 3/4"	1
4	CCH00004	CHAIN ASA60H 72 PITCH+CON LINK	2
<i>CAM-TRACK PICK-UP ONLY</i>			
5	CCH02061	CHAIN ASA60H 66 PITCH+CON LINK	1
5a	CCH02021	CHAIN LINK CONN ASA60H 3/4"	1
5b	CCH02022	CHAIN LINK OFFSET ASA60H 3/4"	1
6	CCH00163	100HE 92 PITCHES + CON LINK	1
6a	CCH00045	CHAIN LINK CONN ASA 100H 1"	1
6b	CCH00053	CHAIN LINK OFFSET ASA 100H 1"	1
7	CCH00042	CHAIN 20B 33 PITCHES+CON LINK	1
7a	CCH00031	CHAIN LINK CONN 20B 1 1/4	1
7b	CCH00032	CHAIN LINK OFFSET 20B 1 1/4	1
8	CCH00189	ROTOR 16B2 76 P+CON LNK	1
8a	CCH02006	CHAIN LINK CONN 1" DUPLEX 16B2	1
8b	CCH02007	CHAIN LINK OFFSET 16B2 1"DUPX	1
9	CCH00043	ASA60H 36 PITCHES + CON LINK	1
9a	CCH02021	CHAIN LINK CONN ASA60H 3/4"	1
9b	CCH02022	CHAIN LINK OFFSET ASA60H 3/4"	1
10	CCH00162	ASA60H 48 PITCHES + CON LINK	1
10a	CCH02021	CHAIN LINK CONN ASA60H 3/4"	1
10b	CCH02022	CHAIN LINK OFFSET ASA60H 3/4"	1
11	CBE00164	V BELT A78	1
<i>USED ON FUSION STANDARD & FUSION PRO MACHINES ONLY</i>			
11	CBE00306	V BELT A59	1
<i>USED ON FUSION PLUS MACHINES</i>			

Spare film holders (1280)



No.	Part No	Description	Qty
1	ADP00299	SPARE FILM ROLL HOLDER TOP WELD ASSY <i>USED UP TO SERIAL No 666063</i>	5
3	ADP00300	SPARE FILM ROLL HOLDER COMPLETE FUSION CT <i>(COMPLETE ASSEMBLY) USED UP TO SERIAL No 666063</i>	1
5	ADP00301	SPARE FILM ROLL HOLDER BOTTOM WELD ASSY <i>USED UP TO SERIAL No 666063</i>	1
7	ADP00337	SPARE FILM ROLL HOLDER COMP ASM FUS 3 <i>(COMPLETE ASSEMBLY) USED FROM SERIAL No 666064</i>	1
8	ADP00338	SPARE FILM ROLL HOLDER BOTTOM WELD ASSY <i>USED FROM SERIAL No 666064</i>	1
9	ADP00339	SPARE FILM ROLL HOLDER TOP WELD ASSY <i>USED FROM SERIAL No 666064</i>	5
10	CBC00007	CAP BLACK PLASTIC 2 3/8 OSF	5
12	CFA00033	SETSCREW M12X35 Z/P	4
14	CFA00124	NUT M12 NYLOC	14
15	CFA00128	NUT M16 NYLOC <i>USED UP TO SERIAL No 666063</i>	5
16	CFA00138	WASHER FLAT 12MM Z/P	28
17	CFA00140	WASHER FLAT 16MM Z/P <i>USED UP TO SERIAL No 666063</i>	20
20	CFA00209	BOLT M16X120 Z/P <i>USED UP TO SERIAL No 666063</i>	5
21	CFA00324	SETSCREW M12X40 Z/P <i>USED FROM SERIAL No 666064</i>	5
22	CFA00476	RUBBER STRAP 240 MM <i>USED UP TO SERIAL No 666063</i>	5
23	CFA00517	BOLT M12X120 Z/P <i>USED FROM SERIAL No 666064</i>	5
24	CFA01036	LINCH PIN 8MM <i>USED UP TO SERIAL No 666063</i>	5
25	CSG00263	SPRING EXTENSION 1.63X11.5X57 <i>USED FROM SERIAL No 666064</i>	5
26	CZE04395	5MM L SPARE FILM ROLL HOLDER LATCH <i>USED FROM SERIAL No 666064</i>	5

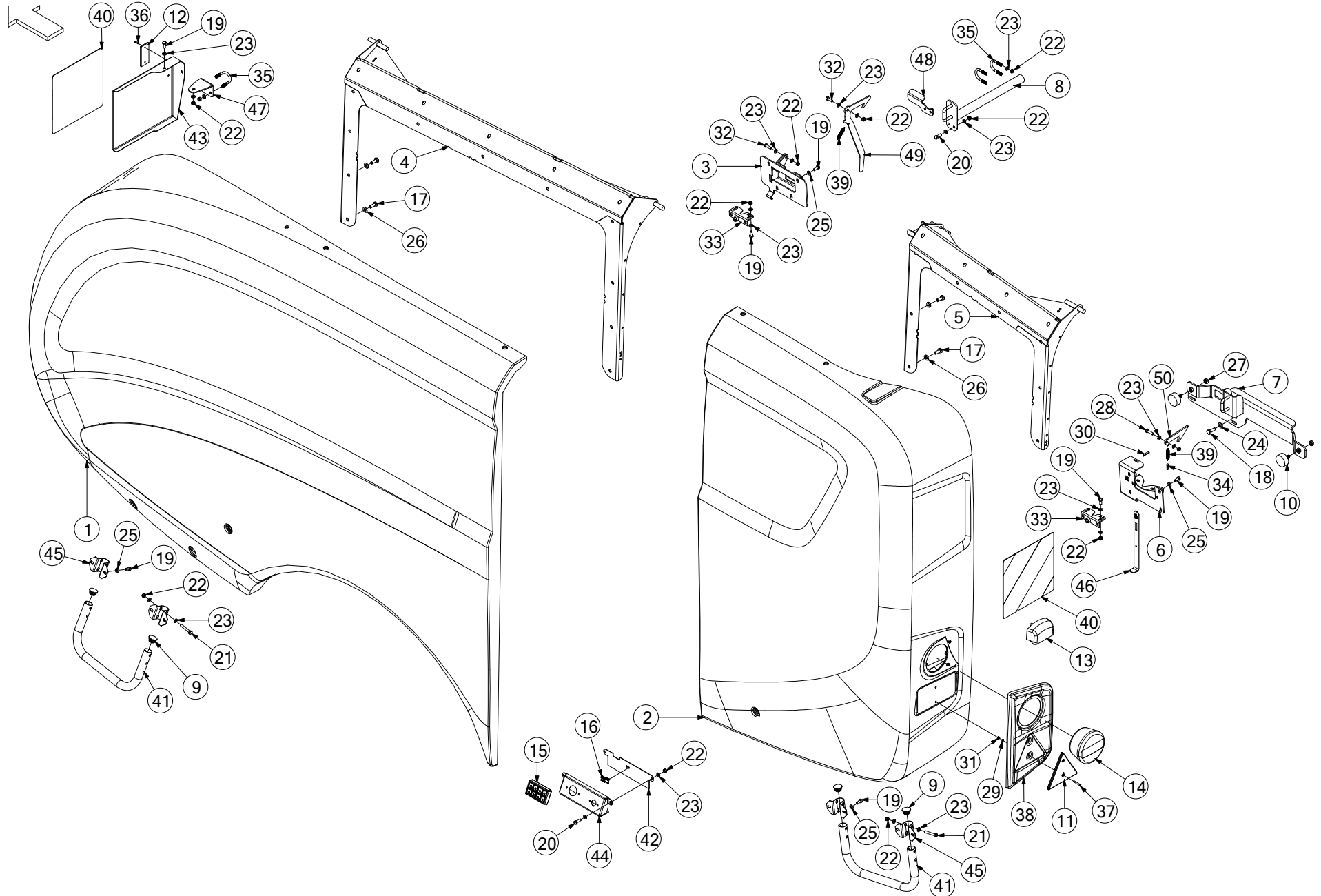
Panels Frame (1451)



No.	Part No	Description	Qty
1	CBE00238	CANVAS COVER ELECTRICAL CONNECTIONS FUSION <i>USED ON STANDARD FUSION 4 ONLY</i>	1
2	CBE00275	BUFFER RUBBER 75X25 M12X30	6
3	CEL00820	SWITCH ASSY, SAFETY, DOOR, FUSION II <i>USED ON STANDARD FUSION 4 ONLY</i>	1
4	CEL01529	LED WORK LAMP	1
5	CFA00025	SETSCREW M10X30	7
6	CFA00052	SETSCREW M8X20 Z/P	2
7	CFA00083	WASHER FLAT 4MM Z/P	2
8	CFA00102	SETSCREW M8X25 Z/P	47
9	CFA00115	SETSCREW M6X20 Z/P	2
10	CFA00123	NUT M10 NYLOC	14
11	CFA00124	NUT M12 NYLOC	6
12	CFA00131	NUT M6 NYLOC	2
13	CFA00132	NUT M8 NYLOC Z/P	58
14	CFA00144	WASHER FLAT 6MM Z/P	4
15	CFA00147	WASHER FLAT 8MM Z/P	109
16	CFA00201	WASHER FLAT 10 MM Z/P	21
17	CFA00316	BOLT M8X30 Z/P	2
18	CFA00337	WASHER FLAT 5MM Z/P	4
19	CFA00392	NUT M4 NYLOC	2
20	CFA00491	SETSCREW M8X30 Z/P	4
21	CFA00919	U-BOLT 60.3 TUBE	4
22	CFA01122	BOLT SETSCREW M5X12	4
23	CFA02277	SETSCREW M4X40 SOC CAP Z/P	2
24	CGD00309	BUFFER BRACKET FUSION	4
25	CGD00353	PANEL HINGE TUBE WELD ASSEMBLY RH FUSION 3 CT	1
26	CGD00354	PANEL HINGE TUBE WELD ASSEMBLY LH FUSION 3 CT	1
27	CGD00355	BUFFER BRACKET LONG FUSION CT	2
28	AGD00288	TIE BAR WELD ASSEMBLY FUSION 4	1
29	CRA00238	GAS SPRING 500-200-800N	2
30	CRA00655	GAS STRUT 1150N	4
31	CZB04963	1.5MM L DISPENSER GUARD FUSION 4 RHS	1
32	CZB04962	1.5MM L LH DISPENSER GUARD FUSION 4	1
33	CZB04416	1.5MM ELECTRICAL CONNECTION BOX	1
34	CZB04846	1.5MM L MAIN VALVE GUARD FUSION CT	1
35	CZB04964	1.5MM L ELECTRICAL COVER PLATE F4 <i>USED ON FUSION 4 PRO & PLUS MODELS ONLY</i>	1
36	CZC05704	3MM L LAMP BRACKET FUSION	1
37	CZD04814	4MM L HINGE LOCK PLATE FUSION 3 CT	8
38	CZD04817	4MM L PANEL SWITCH BRACKET FUSION CT <i>USED ON STANDARD FUSION 4 ONLY</i>	1
39	CZD04821	4MM L DISPENSER GUARD ATTACH BRACKET F3 CT	1
40	CZD04822	4MM L DISPENSER GUARD LH BRACKET F3 CT	1
41	CZF06725	6MM L HINGE PLATE	4
42	CZF06726	6MM L HINGE PLATE	4
43	CZG04947	8MM L SPACER PANEL SWITCH SPACER	1
44	CZF00542	6MM L HINGE PLATE OFFSET	1
45	CZC02558	3MM CAMERA BRACKET LONG <i>USED ON FUSION 4 PLUS MODELS</i>	1

46	CZD05708	4MM L FUSION REAR PANEL SENSOR PLATE <i>USED ON FUSION 4 PRO & PLUS MODELS ONLY</i>	1
47	CFA00023	SETSCREW M10X20 Z/P	1
48	CFA00639	WASHER MUDWING M10 30 OD	1
49	CFA00766	SETSCREW M8X20 FLANGED DIN6921 Z/P	6
50	CFA00952	U-BOLT M10 60.3 TUBE	1
51	CEL00767	SENSOR M18 PROX M12 PLUG <i>USED ON FUSION 4 PRO & PLUS MODELS ONLY</i>	1

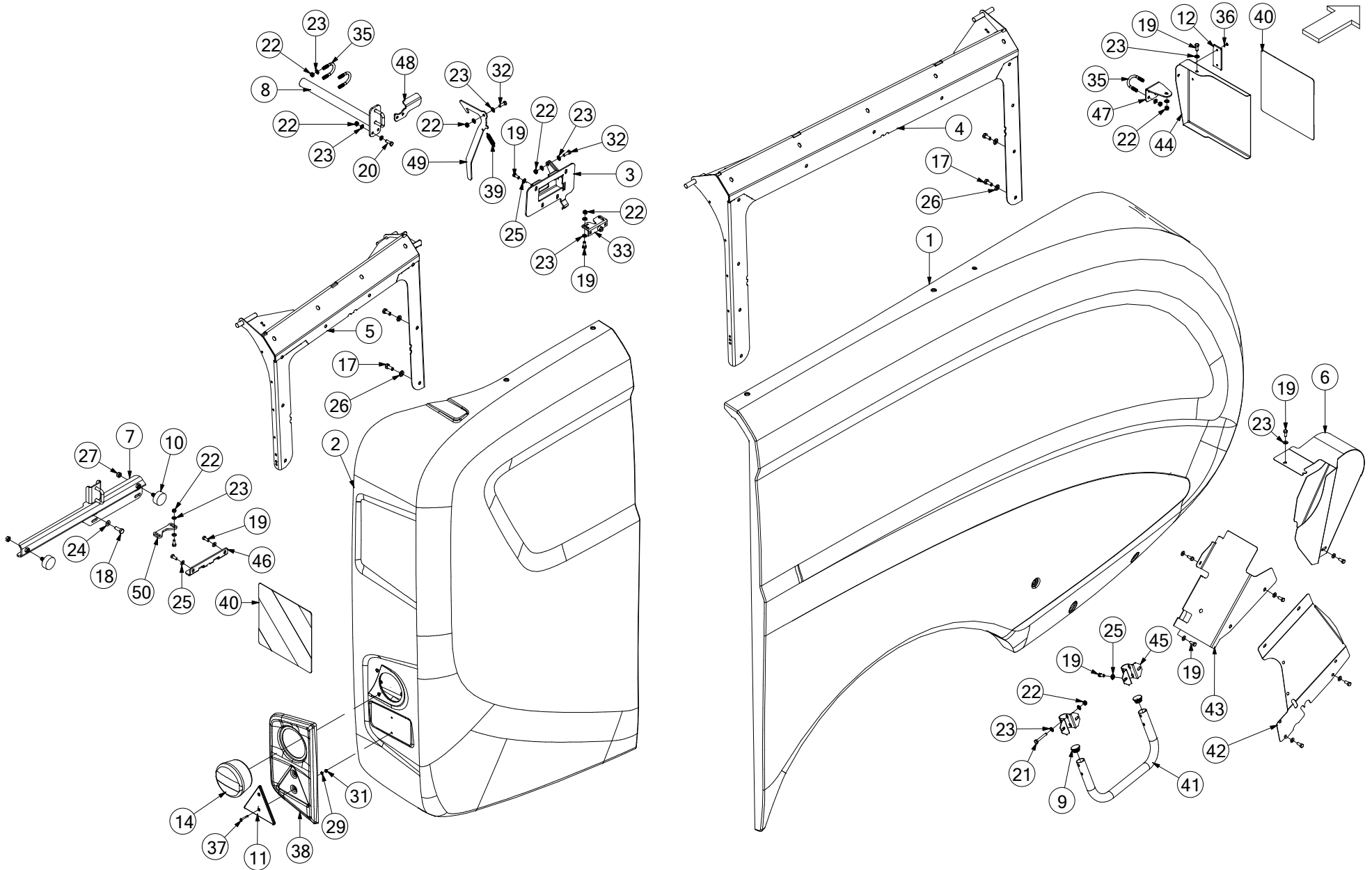
Panels LH (1452)



No.	Part No	Description	Qty
1	AGD00315	FUSION 4 FRONT LHS PANEL & DECALS SPARE PARTS	1
<i>MAX PANEL DISCOUNT IS 25% (FITTED WITH DECALS - THE SMALL PRO & PLUS DECAL TO BE FITTED BY CUSTOMER)</i>			
2	AGD00316	FUSION 4 REAR LHS PANEL & DECALS SPARE PARTS	1
<i>MAX DISCOUNT ON DOOR PANELS IS 25% (PANEL FITTED WITH DECALS)</i>			
3	AGD00262	DOOR LATCH WELD ASSEM FUSION 4	1
4	AGD00264	HINGE WELD ASSEMBLY FRONT LH FUSION 4 PANEL	1
5	AGD00268	HINGE WELD ASSEMBLY REAR LH FUSION 4 PANEL	1
6	AGD00270	DOOR LATCH WELD ASSY LH REAR FUSION 4	1
7	AGD00271	LATCH ASSEMBLY LH REAR FUSION 4	1
8	AGD00287	LATCH BRACKET ASSEM FUSION 4	1
9	CBC00010	CAP PLASTIC INSERT 1"	4
10	CBE00002	BUFFER RUBBER 50X21 M10X28	2
11	CEL00077	REFLECTOR REAR TRIANGULAR RED	1
12	CEL00079	REFLECTOR FRONT RECTANGULAR	1
13	CEL00823	REGISTRATION LIGHT FUSION 3	1
14	CEL00831	TAIL LIGHT CIRCULAR LED FUS 3	1
15	CEL01904	CANBUS KEYPAD 2X4	1
<i>FUSION 4 PRO & PLUS MODELS ONLY</i>			
16	CEL01961	DEUTSCH MOUNTING CLIP FIRTREE BLACK	1
<i>FUSION 4 PRO & PLUS MODELS ONLY</i>			
17	CFA00024	SETSCREW M10X25 Z/P	28
18	CFA00025	SETSCREW M10X30	2
19	CFA00052	SETSCREW M8X20 Z/P	21
20	CFA00102	SETSCREW M8X25 Z/P	3
21	CFA00108	BOLT M8X55 Z/P	8
22	CFA00132	NUT M8 NYLOC Z/P	20
23	CFA00147	WASHER FLAT 8MM Z/P	39
24	CFA00201	WASHER FLAT 10 MM Z/P	3
25	CFA00249	WASHER SKM8	16
26	CFA00251	WASHER SKM10	28
27	CFA00256	NUT M10 Z/P	2
28	CFA00316	BOLT M8X30 Z/P	1
29	CFA00337	WASHER FLAT 5MM Z/P	2
30	CFA00345	ROLL PIN 6X30 Z/P	1
31	CFA00348	NUT M5 NYLOC SS	2
32	CFA00407	BOLT M8X25 Z/P	2
33	CFA00518	CAMLOC BALER DOOR	2
34	CFA00635	SPLIT PIN 5X20 Z/P	1
35	CFA00943	U-BOLT M8X1.25X45X55 FOR 33.7 TUBE	3
36	CFA02339	POP RIVET ALU 4X14	2
37	CFA02491	M5X35 SOCKET BUTTON SCREW 10.9 Z/P	2
38	CPL00370	FUSION LIGHT CLUSTER LHS	1
39	CSG00263	SPRING EXTENSION 1.63X11.5X57	2
40	CST00831	MARKER BOARD STICKER 282X282 LEFT	2
41	CXT04405	TUBE STAINLESS 31.8X1.2X696MM	2
42	CZB00200	1.5MM L KEY PAD COVER PLATE	1
<i>FUSION 4 PRO & PLUS MODELS ONLY</i>			
43	CZB04756	1.5MM L REFLECTOR PLATE LH	1
44	CZB04847	2MM L KEYPAD BRACKET	1
<i>FUSION 4 PRO & PLUS MODELS ONLY</i>			

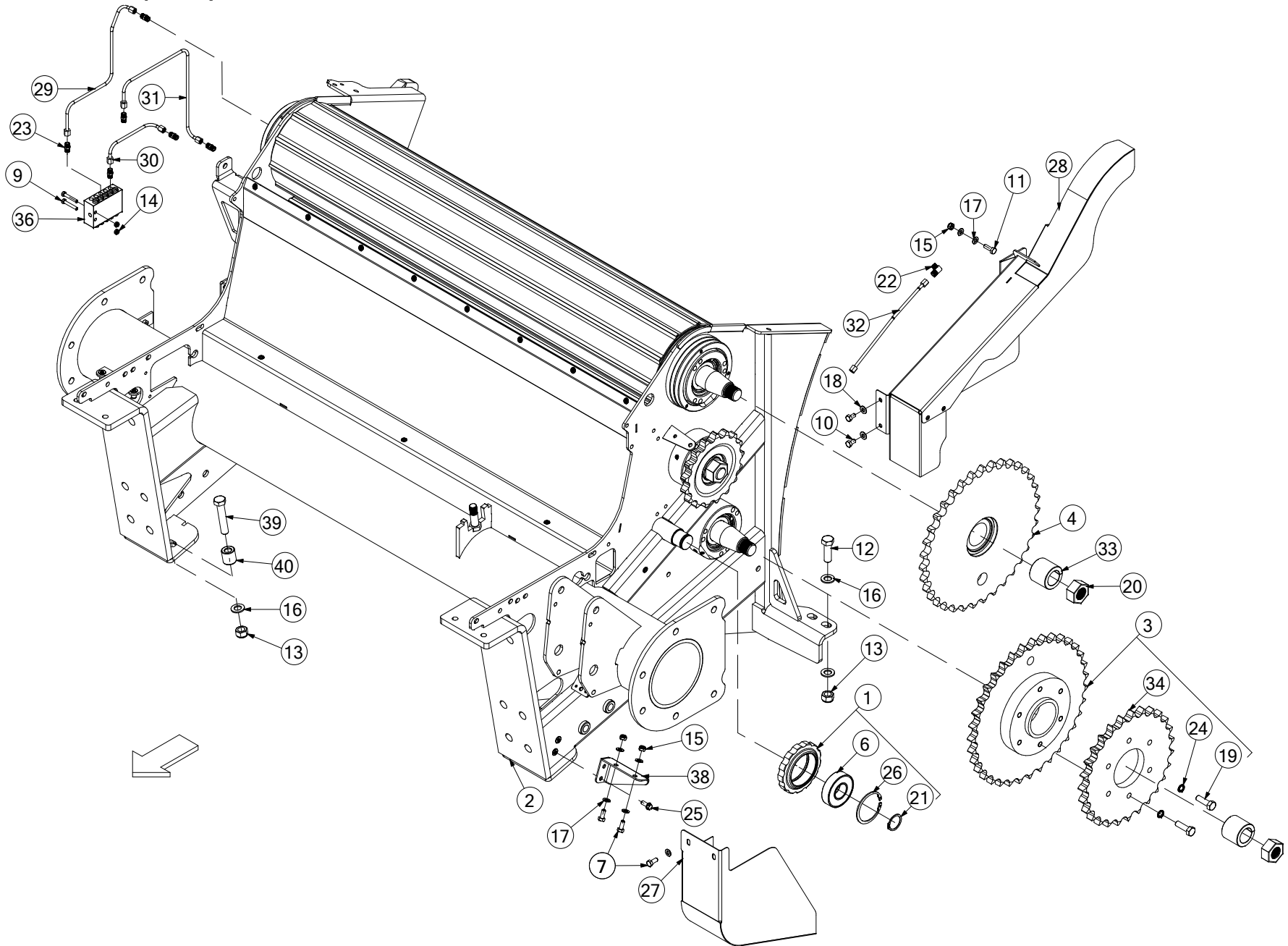
45	CZB04979	2MM L HANDLE BRACKET	4
46	CZC06699	3MM L REAR DOOR LATCH HANDLE FUSION 4	1
47	CZD00313	4MM L REFLECTOR SUPPORT BRACKET	1
48	CZD05832	4MM L PLATE LATCH	1
49	CZD05835	4MM PANEL LATCH HANDLE FUS 4	1
50	CZF06016	6MM L REAR LATCH HOOK FUSION 3	1

Panels RH (1453)



No.	Part No	Description	Qty
1	AGD00314	FUSION 4 FRONT RHS PANEL & DECALS SPARE PARTS	1
<i>MAX PANEL DISCOUNT IS 25% (FITTED WITH DECALS - THE SMALL PRO & PLUS DECAL TO BE FITTED BY CUSTOMER)</i>			
2	AGD00317	FUSION 4 REAR RHS PANEL & DECALS SPARE PARTS	1
<i>MAX DISCOUNT ON DOOR PANELS IS 25% (PANEL FITTED WITH DECALS)</i>			
3	AGD00293	DOOR LATCH WELD ASSEM FUSION 4 RH	1
4	AGD00266	HINGE WELD ASSEMBLY FRONT RH FUSION 4	1
5	AGD00267	HINGE WELD ASSEMBLY REAR RH FUSION 4	1
6	AGD00195	CHAIN GUARD DUPLEX CHAIN (AUGERS FORWARD)	1
7	AGD00269	LATCH ASSEMBLY RH REAR FUSION 4	1
8	AGD00287	LATCH BRACKET ASSEM FUSION 4	1
9	CBC00010	CAP PLASTIC INSERT 1"	2
10	CBE00002	BUFFER RUBBER 50X21 M10X28	2
11	CEL00077	REFLECTOR REAR TRIANGULAR RED	1
12	CEL00079	REFLECTOR FRONT RECTANGULAR	1
14	CEL00831	TAIL LIGHT CIRCULAR LED FUS 3	1
17	CFA00024	SETSCREW M10X25 Z/P	28
18	CFA00025	SETSCREW M10X30	2
19	CFA00052	SETSCREW M8X20 Z/P	21
20	CFA00102	SETSCREW M8X25 Z/P	2
21	CFA00108	BOLT M8X55 Z/P	4
22	CFA00132	NUT M8 NYLOC Z/P	20
23	CFA00147	WASHER FLAT 8MM Z/P	39
24	CFA00201	WASHER FLAT 10 MM Z/P	3
25	CFA00249	WASHER SKM8	10
26	CFA00251	WASHER SKM10	28
27	CFA00256	NUT M10 Z/P	2
29	CFA00337	WASHER FLAT 5MM Z/P	2
31	CFA00348	NUT M5 NYLOC SS	2
32	CFA00407	BOLT M8X25 Z/P	2
33	CFA00518	CAMLOC BALER DOOR	1
35	CFA00943	U-BOLT M8X1.25X45X55 FOR 33.7 TUBE	3
36	CFA02339	POP RIVET ALU 4X14	2
37	CFA02491	M5X35 SOCKET BUTTON SCREW 10.9 Z/P	2
38	CPL00371	FUSION LIGHT CLUSTER RHS	1
39	CSG00263	SPRING EXTENSION 1.63X11.5X57	1
40	CST00831	MARKER BOARD STICKER 282X282	2
41	CXT04405	TUBE STAINLESS 31.8X1.2X696MM	1
42	CZB00185	1.5MM L CHAIN GUARD DUPLEX (NO STEEL PIPING)	1
43	CZB00410	1.5MM ROTOR CHAIN GUARD PART	1
44	CZB04758	1.5MM L REFLECTOR PLATE RH	1
45	CZB04979	2MM L HANDLE BRACKET	2
46	CZD04708	4MM DOOR LATCH RH REAR FUSION	1
47	CZD00313	4MM L REFLECTOR SUPPORT BRACKET	1
48	CZD05834	4MM L PLATE LATCH	1
49	CZD05835	4MM PANEL LATCH HANDLE FUS 4	1
50	CZF02902	6MM L DOOR RETAINING BRACKET	1

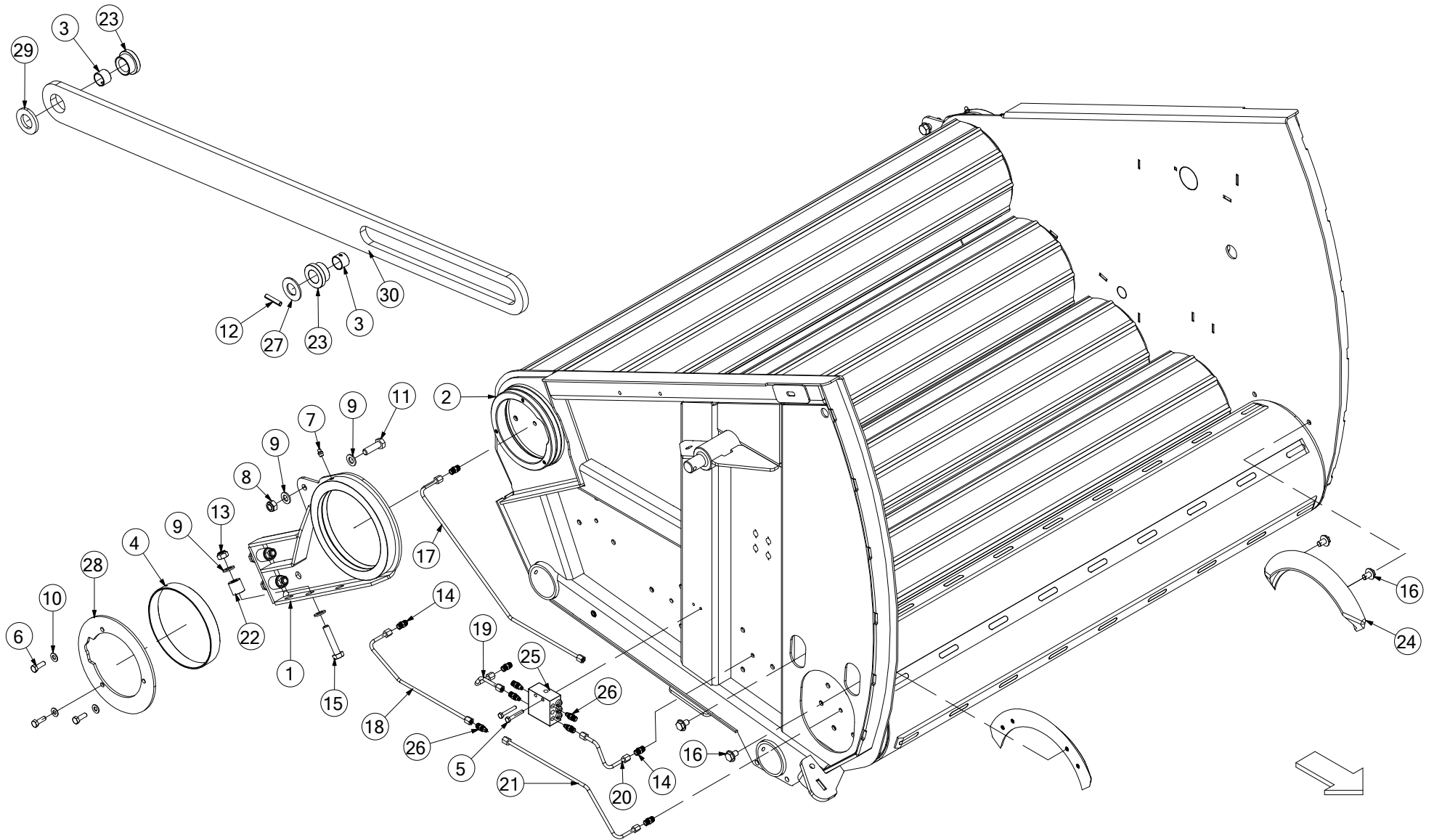
Front chamber (1376)



No.	Part No	Description	Qty
1	ACH01261	13T SPROCKET 6207 BEARING	1
2	ACH01197	FRONT CHAMBER FUSION PLUS NRF	1
<i>UP TO SERIAL No 656740</i>			
2	ACH01332	FRONT CHAMBER FUSION PLUS NRF	1
<i>SERIAL No 656741 TO 663999</i>			
2	ACH01642	FRONT CHAMBER FUSION PLUS NRF	1
<i>SERIAL No 664000 TO 664045</i>			
2	ACH01332	FRONT CHAMBER FUSION PLUS NRF	1
<i>SERIAL No 664046 TO 666623</i>			
2	ACH01642	FRONT CHAMBER FUSION PLUS NRF	1
<i>FROM SERIAL No 666624</i>			
3	ART00085	SPROCKET ASSY BOTTOM	1
4	ART00087	SPROCKET ASSY BOTTOM DOOR DRIVE	1
6	CBR00294	BEARING 6307 2RS	1
7	CFA00052	SETSCREW M8X20 Z/P	4
9	CFA00099	SETSCREW M6X40 Z/P	2
10	CFA00101	SETSCREW M8X16 Z/P	2
11	CFA00102	SETSCREW M8X25 Z/P	1
12	CFA00116	BOLT M16X50 Z/P	4
13	CFA00128	NUT M16 NYLOC	6
14	CFA00131	NUT M6 NYLOC	2
15	CFA00132	NUT M8 NYLOC Z/P	3
16	CFA00140	WASHER FLAT 16MM Z/P	10
17	CFA00147	WASHER FLAT 8MM Z/P	8
18	CFA00249	WASHER SKM8	2
19	CFA00324	SETSCREW M12X40 Z/P	6
20	CFA00401	NUT M30X2 FINE THREAD	3
21	CFA00514	CIRCLIP 35MM EXTERNAL	1
22	CFA00543	6MM X 1/8" 90° GREASE FITTING	1
23	CFA00549	GREASE FITTING 6MM X 1/8" M/M	12
24	CFA00623	WASHER SPRING 12MM Z/P	6
25	CFA00766	SETSCREW M8X20 FLANGED DIN6921 Z/P	2
26	CFA00866	75MM INTERNAL CIRCLIP DIN 472	1
27	CGD00293	CHAIN GUARD LH FRONT	1
28	CGD00329	CHAIN GUARD MAIN DRVE FUS PLUS	1
<i>UP TO SERIAL No 663477</i>			
28	CGD00430	CHAIN GUARD MAIN DRVE FUS PLUS	1
<i>FROM SERIAL No 663478</i>			
29	CHY02631	GREASE PIPE 3 BOTTOM SECTION	1
<i>UP TO SERIAL No 656740 (TOP ROLLER)</i>			
29	CHY02915	GREASE PIPE 3 BOTTOM SECTION	1
<i>FROM SERIAL No 656741 (TOP ROLLER)</i>			
30	CHY02632	GREASE PIPE 2 BOTTOM SECTION	1
<i>UP TO SERIAL No 656740 (MIDDLE ROLLER)</i>			
30	CHY02916	GREASE PIPE 2 BOTTOM SECTION	1
<i>FROM SERIAL No 656741 (MIDDLE ROLLER)</i>			
31	CHY02633	GREASE PIPE 1 BOTTOM SECTION	1
<i>UP TO SERIAL No 656740 (BOTTOM ROLLER)</i>			
31	CHY02917	GREASE PIPE 1 BOTTOM SECTION	1
<i>FROM SERIAL No 656741 (BOTTOM ROLLER)</i>			
32	CHY02517	GREASE PIPE FRONT CHAMBER DS	1
<i>UP TO SERIAL No 656740</i>			

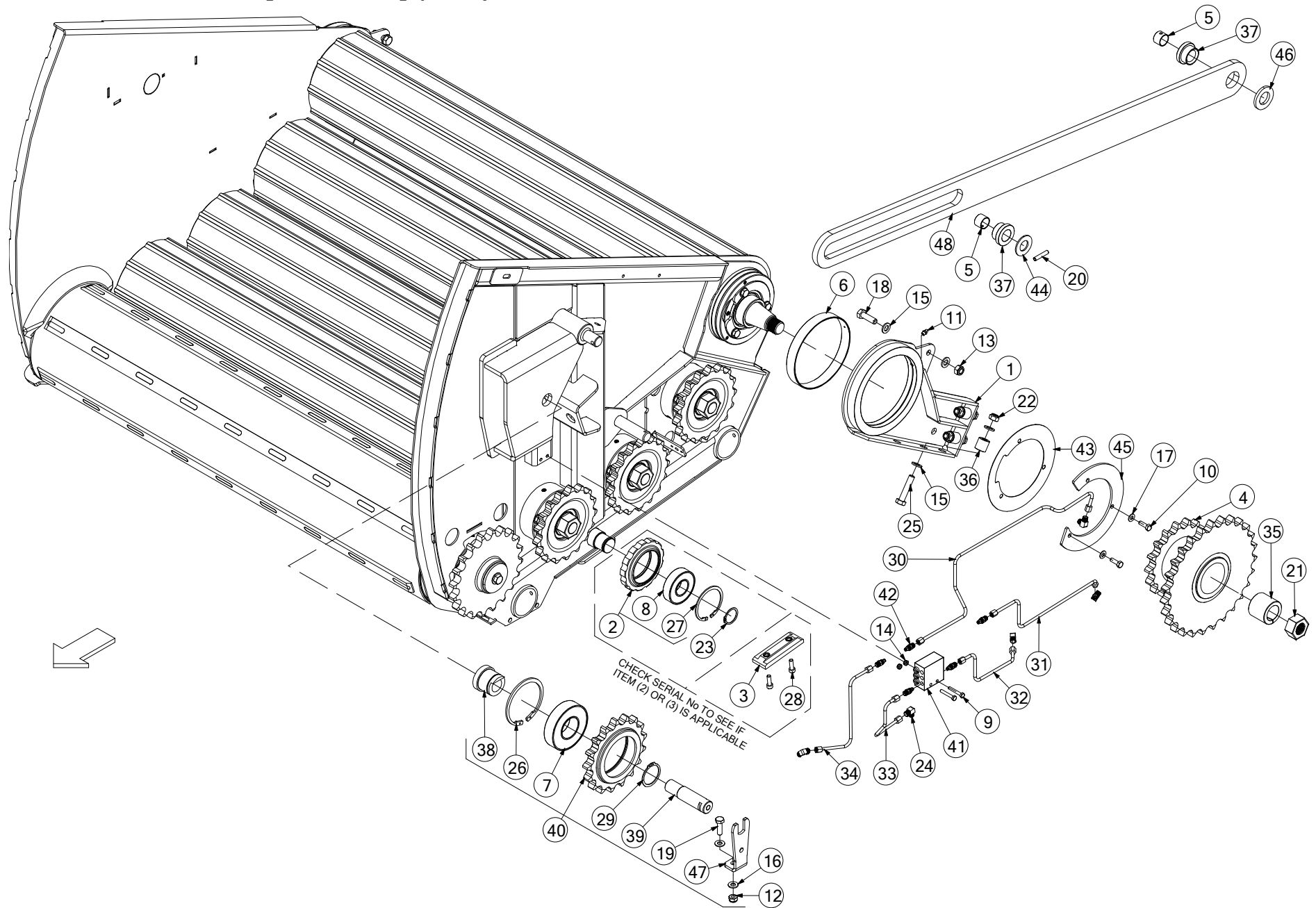
32	CHY02918	GREASE PIPE FRONT DOOR D.S NRF	1
<i>FROM SERIAL No 656741</i>			
33	CMH00508	BUSH 36X58X47 TAPER	2
34	CMH00699	PLATEWHEEL 1 1/4" 27T	1
36	CVA00166	GREASE BLOCK 10 WAY	1
38	CZC04627	3MM L PLATE PLATFORM FUS 3 PLASTIC PANELS	1
39	CFA02257	BOLT M16X85 Z/P	2
40	CMH01028	BUSH 17X30X39	2

Bottom chamber door [Idle side] (1228)



No.	Part No	Description	Qty
1	ACH00662	HINGE BOTTOM DOOR RIGHT <i>INCLUDES ITEM 4 & ITEM 7</i>	1
2	ACH00890	BOTTOM DOOR WELD ASSY <i>UP TO SERIAL No 656740 (FUSION 3 PLUS) & UP TO SERIAL No 659000 (FUSION 3 STD)</i>	1
2	ACH01334	BOTTOM DOOR WELD FUSION NRF <i>SERIAL No 656741 TO 663999 (FUSION 3 PLUS) & SERIAL No 659001 TO 663999 (FUSION 3 STD)</i>	1
2	ACH01762	B DOOR WELD NORMAL NO1 POSITION <i>SERIAL No 664000 TO 664045 (ALL FUSION 3 SERIES)</i>	1
2	ACH01334	BOTTOM DOOR WELD FUSION NRF <i>SERIAL No 664046 TO 666623 (ALL FUSION 3 SERIES)</i>	1
2	ACH01762	B DOOR WELD NORMAL NO1 POSITION <i>FROM SERIAL No 666624 (ALL FUSION 3 SERIES)</i>	1
3	CBR00040	BEARING GLACIER PM 25 X 20	2
4	CBR00051	BEARING GLACIER PM 17025 SY	1
5	CFA00099	SETSCREW M6X40 Z/P	2
6	CFA00102	SETSCREW M8X25 Z/P	3
7	CFA00118	GREASE NIPPLE M8X1.25 STRAIGHT	1
8	CFA00124	NUT M12 NYLOC	2
9	CFA00138	WASHER FLAT 12MM Z/P	16
10	CFA00249	WASHER SKM8	3
11	CFA00297	BOLT M12X40 Z/P	2
12	CFA00380	ROLL PIN 8X40 Z/P	1
13	CFA00417	NUT M12X1.5 NYLOC FINE THREAD	6
14	CFA00549	GREASE FITTING 6MM X 1/8" M/M	5
15	CFA00586	BOLT M12X60X10.9 FINE THREAD ZP	6
16	CFA02417	M10X16 FLANGE HEAD BOLT (8.8)	4
17	CHY02174	GREASE PIPE 1 BOTTOM DOOR N.D	1
18	CHY02176	GREASE PIPE 3 BOTTOM DOOR N.D	1
19	CHY02177	GREASE PIPE 4 BOTTOM DOOR N.D	1
20	CHY02178	GREASE PIPE 5 BOTTOM DOOR N.D	1
21	CHY02175	GREASE PIPE 2 BOTTOM DOOR N.D <i>UP TO SERIAL No 663999</i>	1
21	CHY03022	GREASE PIPE 2 BOTTOM DOOR N.D <i>SERIAL No 664000 TO 664045</i>	1
21	CHY02175	GREASE PIPE 2 BOTTOM DOOR N.D <i>SERIAL No 664046 TO 666623</i>	1
21	CHY03022	GREASE PIPE 2 BOTTOM DOOR N.D <i>FROM SERIAL No 666624</i>	1
22	CMH00745	BUSH 12X25X25	6
23	CMH00989	BUSH 25X50X25	2
24	CTP00517	V6 NO1 ROLLER SEAL PROTECTOR	2
25	CVA00169	GREASE BLOCK 6 WAY	1
26	CVA00172	VALVE CHECK 1/8" - M6LL BODY	10
27	CZC02374	3MM L WASHER 25X49X3	1
28	CZE00131	5MM L BALER DOOR HINGE PART	1
29	CZF04263	6MM L DRAWBAR WASHER Z/P	1
30	CZJ02134	15MM L LINK ARM PART FUSION	1

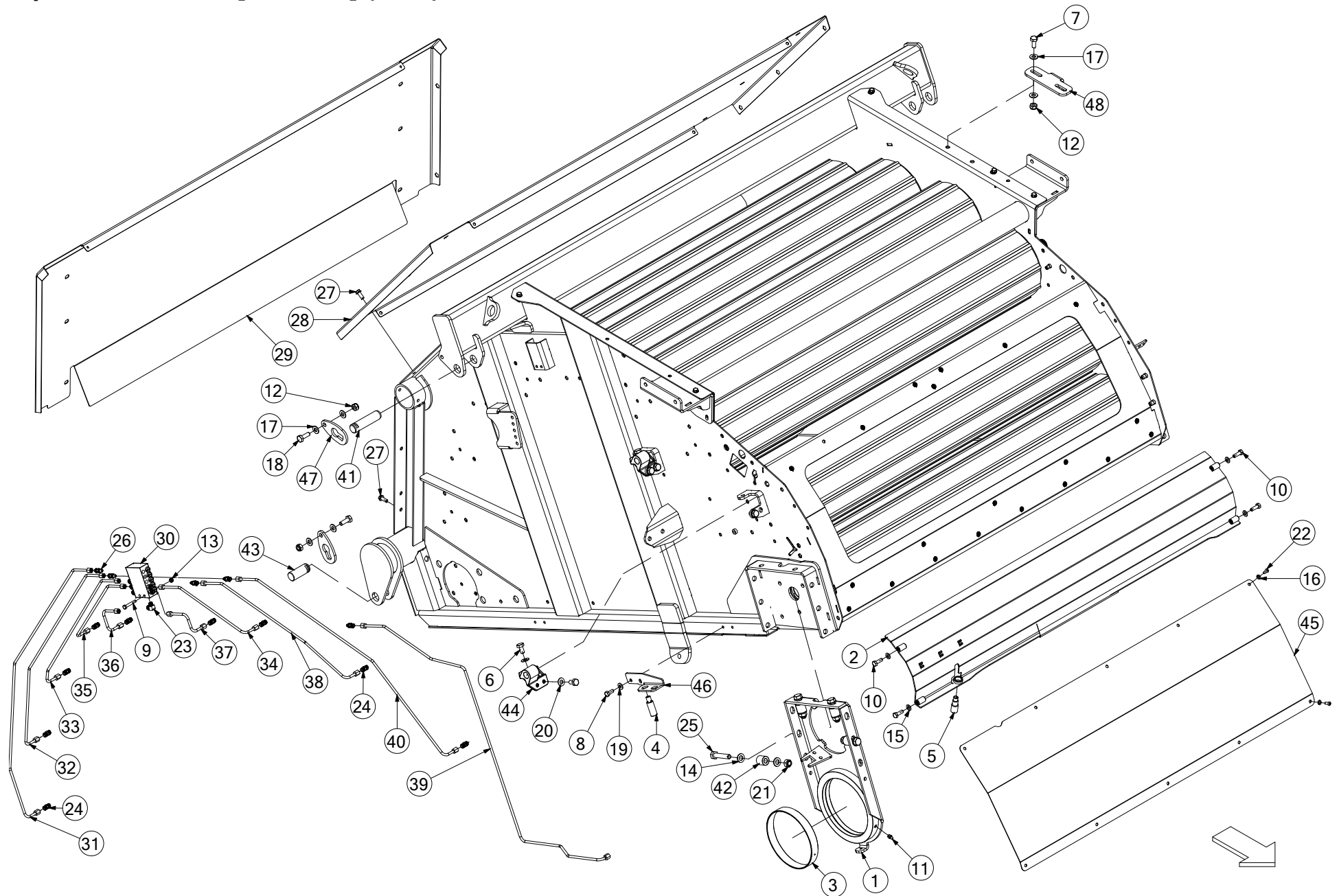
Bottom chamber door [Drive side] (1229)



No.	Part No	Description	Qty
1	ACH00366	BALER DOOR HINGE BOTTOM LEFT	1
<i>INCLUDES ITEM 6 & ITEM 11</i>			
2	ACH01261	13T SPROCKET 6207 BEARING ASM	1
<i>USED ON FUSION 3 SERIES FROM SERIAL No 666624 (ALSO USED ON MACHINES FROM SERIAL No 664000 TO 664045)</i>			
3	ALA00311	WEAR STRIP ASSY BOTTOM DOOR	1
<i>USED ON F3 PLUS ONLY FROM SERIAL No 656741 & ALL FUS 3 FROM S No 659001 TO 666623 (EXCL 664000 TO 664045)</i>			
4	ART00310	DOUBLE SPROCKET 1"1/4' 17T 27T	1
5	CBR00040	BEARING GLACIER PM 25 X 20	2
6	CBR00051	BEARING GLACIER PM 17025 SY	1
7	CBR00113	BEARING 6310-2RS1 SKF EXPLORER	1
8	CBR00294	BEARING 6307 2RS	1
9	CFA00099	SETSCREW M6X40 Z/P	4
10	CFA00102	SETSCREW M8X25 Z/P	6
11	CFA00118	GREASE NIPPLE M8X1.25 STRAIGHT	1
12	CFA00123	NUT M10 NYLOC	1
13	CFA00124	NUT M12 NYLOC	2
14	CFA00131	NUT M6 NYLOC	2
15	CFA00138	WASHER FLAT 12MM Z/P	10
16	CFA00201	WASHER FLAT 10 MM Z/P	2
17	CFA00249	WASHER SKM8	6
18	CFA00297	BOLT M12X40 Z/P	2
19	CFA00311	SETSCREW M10X35 Z/P	1
20	CFA00380	ROLL PIN 8X40 Z/P	2
21	CFA00401	NUT M30X2 FINE THREAD	4
22	CFA00417	NUT M12X1.5 NYLOC FINE THREAD	3
23	CFA00514	CIRCLIP 35MM EXTERNAL	1
<i>USED ON FUSION 3 SERIES FROM SERIAL No 666624 (ALSO USED ON MACHINES FROM SERIAL No 664000 TO 664045)</i>			
24	CFA00543	6MM X 1/8" 90° GREASE FITTING	5
25	CFA00586	BOLT M12X60X10.9 FINE THREAD Z/P	3
26	CFA00652	CIRCLIP 110MM INTERNAL DIN 472	1
27	CFA00882	80MM INTERNAL CIRCLIP DIN 472	1
28	CFA00909	BOLT M8X25 SOC CAP Z/P	2
<i>USED ON F3 PLUS ONLY FROM SERIAL No 656741 & ALL FUS 3 FROM S No 659001 TO 666623 (EXCL 664000 TO 664045)</i>			
29	CFA00925	CIRCLIP 50MM EXTERNAL	1
30	CHY02169	GREASE PIPE 1 BOTTOM DOOR D.S	1
31	CHY02170	GREASE PIPE 2 BOTTOM DOOR D.S	1
32	CHY02172	GREASE PIPE 4 BOTTOM DOOR D.S	1
33	CHY02173	GREASE PIPE 5 BOTTOM DOOR D.S	1
34	CHY02171	GREASE PIPE 3 BOTTOM DOOR D.S	1
<i>USED ON FUSION 3 SERIES UP TO SERIAL No 666623 (EXCLUDING MACHINES FROM SERIAL No 664000 TO 664045)</i>			
34	CHY03021	GREASE PIPE 3 BOTTOM DOOR D.S	1
<i>USED ON FUSION 3 SERIES FROM SERIAL No 666624 (ALSO USED ON MACHINES FROM SERIAL No 664000 TO 664045)</i>			
35	CMH00508	BUSH 36X58X47 TAPER	1
36	CMH00745	BUSH 12X25X25	3
37	CMH00989	BUSH 25X50X25	2
38	CMH03000	BUSH ADAPTOR 50MM BEARING TO 30MM SHAFT	1
39	CMH03029	SHAFT 30X122 Z/P LONG	1
40	ART00084	IDLER SPROCKET ASSEMBLY BOTTOM DOOR FUSION	1
41	CVA00169	GREASE BLOCK 6 WAY	2
42	CVA00172	VALVE CHECK 1/8" - M6LL BODY	5

43	CZA00002	1MM L DOOR HINGE SHIM	1
44	CZC02374	3MM L WASHER 25X49X3	2
45	CZE00337	5MM L BOTTOM DOOR HINGE PART DS	1
46	CZF04263	6MM L WASHER 30X55X6	1
47	CZF04850	6MM L PIN RETAINER CLIP	1
48	CZJ02134	15MM L LINK ARM PART FUSION	1

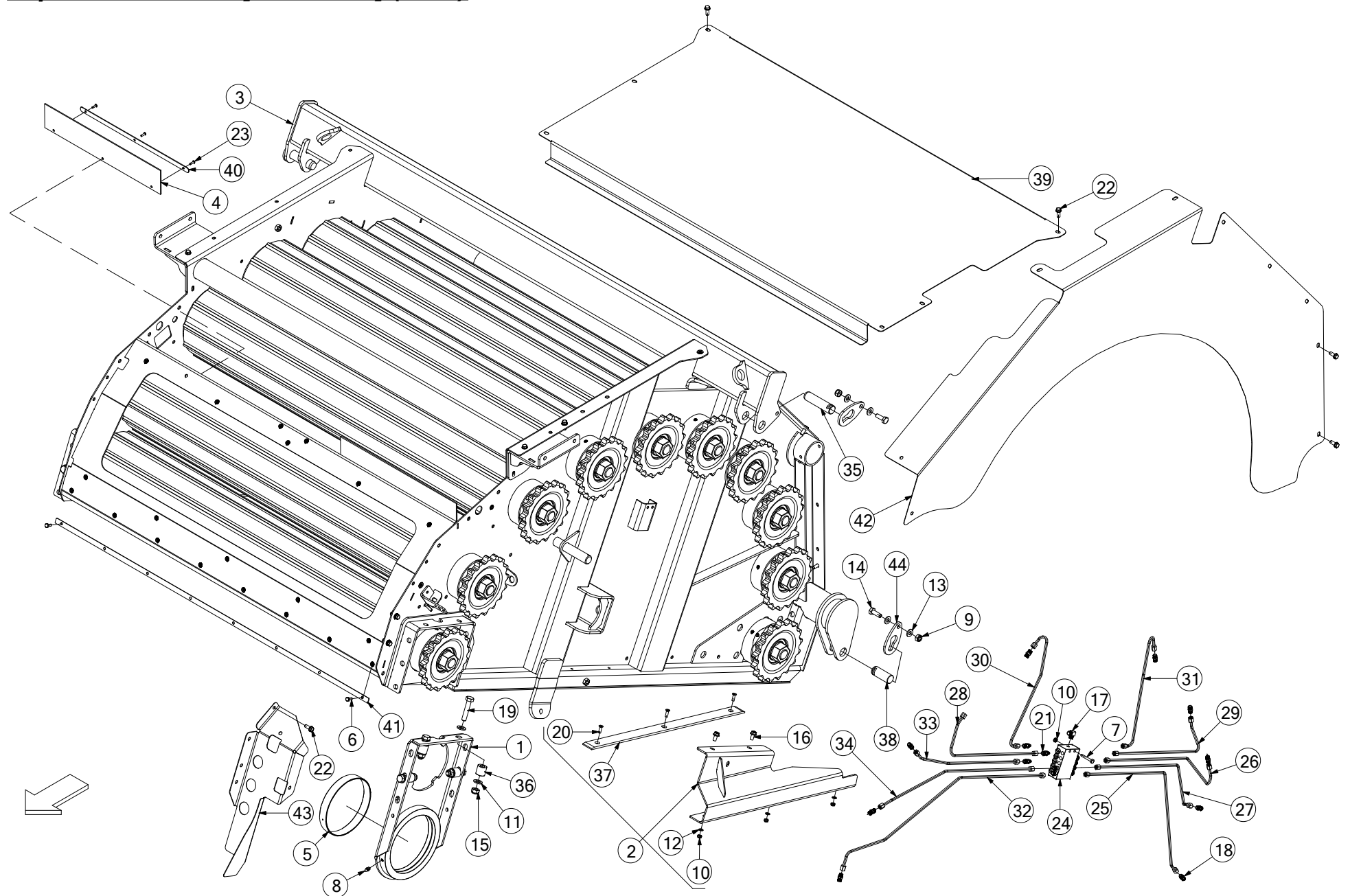
Top chamber door [Idle side] (1230)



No.	Part No	Description	Qty
1	ACH00906	HINGE FRONT RIGHT IDLE	1
<i>UP TO SERIAL No 659000 (INCLUDES ITEM 3 & ITEM 11)</i>			
1	ACH01228	HINGE FRONT DOOR RIGHT	1
<i>SERIAL No 659001 TO 669999 (INCLUDES ITEM 3 & ITEM 11)</i>			
1	ACH01773	HINGE TOP DOOR RIGHT	1
<i>USED FROM SERIAL No 670000 (INCLUDES ITEM 3 & ITEM 11)</i>			
2	ARC00165	ROLLER GUARD TOP DOOR FUSION II	1
<i>UP TO SERIAL No 659000</i>			
2	ARC00369	ROLLER GUARD FUS3 TOP DOOR NRF	1
<i>FROM SERIAL No 659001 (REPLACES ARC00323)</i>			
3	CBR00051	BEARING GLACIER PM 17025 SY	1
4	CEL00767	SENSOR M18 E2A-M18KS08-M1-C1	1
<i>USED ON STANDARD FUSION 3 MACHINES ONLY</i>			
5	CEL00947	ULTRASONIC SENSOR, 4-20MA	1
<i>USED ON FUSION 3 PRO & FUSION 3 PLUS MODELS ONLY</i>			
6	CFA00023	SETSCREW M10X20 Z/P	6
7	CFA00024	SETSCREW M10X25 Z/P	2
8	CFA00052	SETSCREW M8X20 Z/P	2
<i>USED ON STANDARD FUSION 3 MACHINES ONLY</i>			
9	CFA00099	SETSCREW M6X40 Z/P	2
10	CFA00102	SETSCREW M8X25 Z/P	4
11	CFA00118	GREASE NIPPLE M8X1.25 STRAIGHT	1
12	CFA00123	NUT M10 NYLOC	4
13	CFA00131	NUT M6 NYLOC	2
14	CFA00138	WASHER FLAT 12MM Z/P	8
15	CFA00147	WASHER FLAT 8MM Z/P	4
16	CFA00148	WASHER SKM M6	10
17	CFA00201	WASHER FLAT 10 MM Z/P	8
18	CFA00230	SETSCREW M10X30 Z/P GRADE 12.9	2
19	CFA00249	WASHER SKM8	2
<i>USED ON STANDARD FUSION 3 MACHINES ONLY</i>			
20	CFA00251	WASHER SKM10	6
21	CFA00417	NUT M12X1.5 NYLOC FINE THREAD	4
22	CFA00427	SETSCREW M6X16 BUTTON HEAD Z/P	10
23	CFA00543	6MM X 1/8" 90° GREASE FITTING	1
24	CFA00549	GREASE FITTING 6MM X 1/8" M/M	9
25	CFA00586	BOLT M12X60X10.9 FINE THREAD ZP	4
26	CFA00648	GREASE FITTING TO BLOCK 1/8"	10
27	CFA00766	SETSCREW M8X20 FLANGED DIN6921 Z/P	21
28	CGD00312	TOP DOOR GUARD WITH THREADED INSERTS	1
29	CGD00313	TOP DOOR LOWER GUARD WITH THREADED INSERTS	1
30	CVA00166	GREASE BLOCK 10 WAY	1
31	CHY02161	GREASE PIPE 2 TOP DOOR N.D	1
32	CHY02162	GREASE PIPE 3 TOP DOOR N.D	1
33	CHY02163	GREASE PIPE 4 TOP DOOR N.D	1
34	CHY02165	GREASE PIPE 6 TOP DOOR N.D	1
35	CHY02166	GREASE PIPE 7 TOP DOOR N.D	1
36	CHY02167	GREASE PIPE 8 TOP DOOR N.D	1
37	CHY02168	GREASE PIPE 9 TOP DOOR N.D	1
38	CHY02494	GREASE PIPE 6 TOP DOOR N.D	1

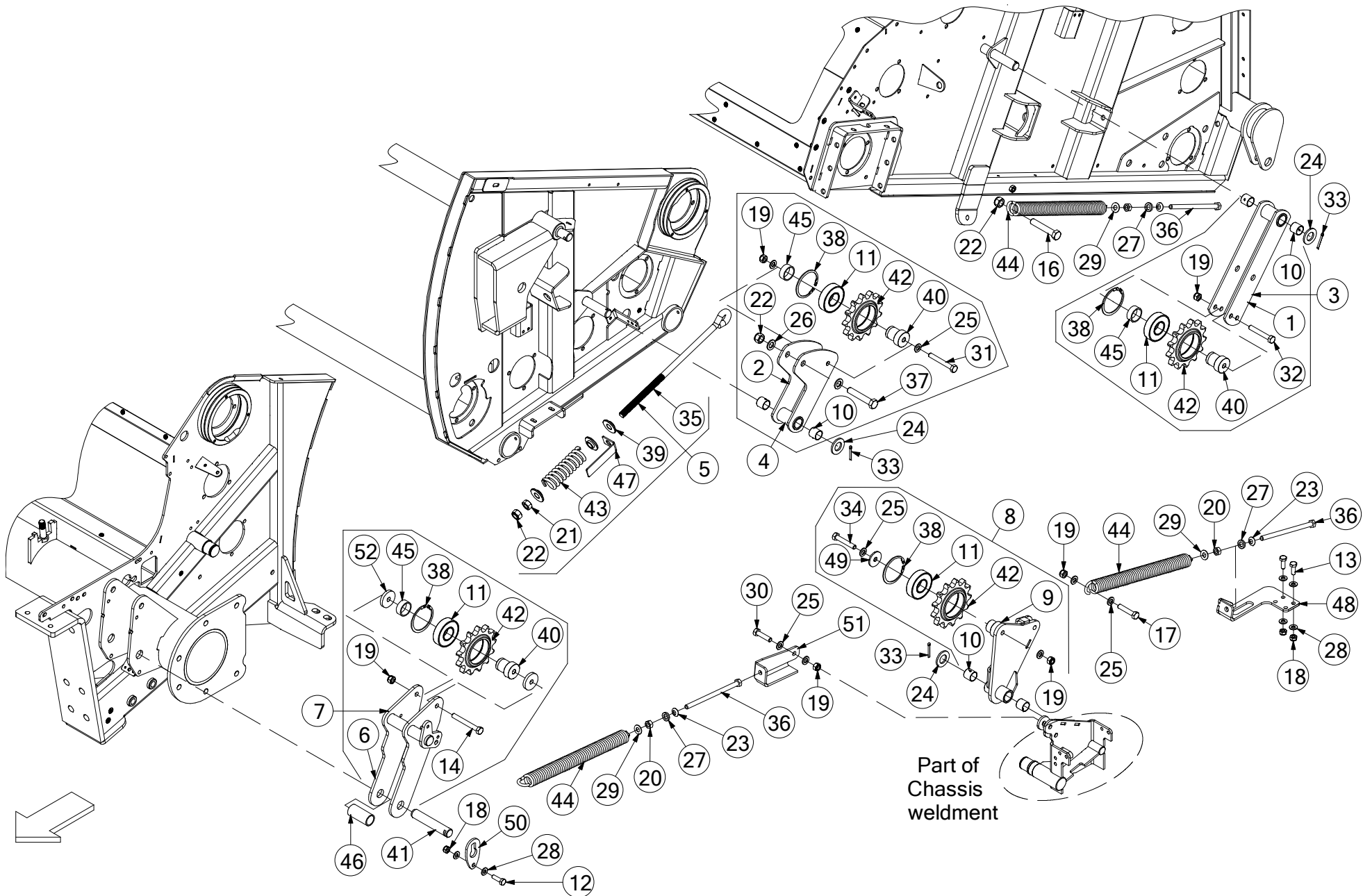
39	CHY02496	GREASE PIPE 2 TOP DOOR N.D	1
40	CHY02495	GREASE PIPE 4 TOP DOOR N.D	1
<i>UP TO SERIAL No 659000</i>			
40	CHY02634	GREASE PIPE 4 TOP DOOR N.D	1
<i>FROM SERIAL No 659001</i>			
41	CMH00422	PIN 25 X 100 MILLED FOR CAP Z/P	1
42	CMH00745	BUSH 12X25X25	4
43	CMH01561	PIN 25X68 MILLED FOR CAP Z/P	1
<i>REPLACES CMH00421</i>			
44	CTP00530	BELT TENSIONER BRACKET FUSION 3	2
45	CZB00373	1.5MM TOP DOOR FUSION GUARD PART	1
46	CZD02505	4MM L SENSOR BRACKET FUSION	1
<i>USED ON STANDARD FUSION 3 MACHINES ONLY</i>			
47	CZF00292	6MM L CAP LONG FOR 25MM PINS	2
48	CZF05683	6MM L SPRING ADJUSTER PART	1

Top chamber door [Drive side] (1231)



No.	Part No	Description	Qty
1	ACH00170	HINGE FRONT DOOR LEFT <i>UP TO SERIAL No 669999 (INCLUDES ITEM 5 & ITEM 8)</i>	1
1	ACH01774	HINGE TOP DOOR LEFT <i>FROM SERIAL No 670000 (INCLUDES ITEM 5 & ITEM 8)</i>	1
2	ACH00939	CHAIN SLIDE COMP TOP DOOR F II <i>INCLUDES ITEMS 10, 12, 20 & 37</i>	1
3	ACH01336	TOP DOOR WELD ASSY FUSION NRF	1
4	CBE00165	RUBBER STRIP 450x80x3MM	2
5	CBR00051	BEARING GLACIER PM 17025 SY	1
6	CFA00045	SETSCREW M6X16	2
7	CFA00099	SETSCREW M6X40 Z/P	2
8	CFA00118	GREASE NIPPLE M8X1.25 STRAIGHT	1
9	CFA00123	NUT M10 NYLOC	4
10	CFA00131	NUT M6 NYLOC	7
11	CFA00138	WASHER FLAT 12MM Z/P	16
12	CFA00144	WASHER FLAT 6MM Z/P	3
13	CFA00201	WASHER FLAT 10 MM Z/P	8
14	CFA00230	SETSCREW M10X30 Z/P GRADE 12.9	4
15	CFA00417	NUT M12X1.5 NYLOC FINE THREAD	8
16	CFA00519	SETSCREW M8X16 FLD ZP	2
17	CFA00543	6MM X 1/8" 90° GREASE FITTING	1
18	CFA00549	GREASE FITTING 6MM X 1/8" M/M	9
19	CFA00586	BOLT M12X60X10.9 FINE THREAD ZP	8
20	CFA00587	BOLT M6X20 CSK ZP	3
21	CFA00648	GREASE FITTING TO BLOCK 1/8"	9
22	CFA00766	SETSCREW M8X20 FLANGED DIN6921 Z/P	21
23	CFA02339	POP RIVET ALU 4X14	6
24	CVA00166	GREASE BLOCK 10 WAY	1
25	CHY02152	GREASE PIPE 2 TOP DOOR D.S	1
26	CHY02154	GREASE PIPE 4 TOP DOOR D.S	1
27	CHY02155	GREASE PIPE 5 TOP DOOR D.S	1
28	CHY02156	GREASE PIPE 6 TOP DOOR D.S	1
29	CHY02157	GREASE PIPE 7 TOP DOOR D.S	1
30	CHY02271	GREASE PIPE8 TOP DOOR D.S LONG	1
31	CHY02272	GREASE PIPE9 TOP DOOR D.S LONG	1
32	CHY02498	GREASE PIPE 2 TOP DOOR D.S	1
33	CHY02527	GREASE PIPE 3 TOP DOOR D.S	1
34	CHY02635	GREASE PIPE 3 TOP DOOR D.S	1
35	CMH00422	PIN 25 X 100 MILLED FOR CAP Z/P	2
36	CMH00745	BUSH 12X25X25	8
37	CMH01105	WEAR STRIP 10X35X620	1
38	CMH01561	PIN 25X68 MILLED FOR CAP Z/P	2
39	CZB00241	TOP DOOR PANEL FUSION NRF	1
40	CZB00381	1.5MM RUBBER MOUNTING STRIP	2
41	CZB02179	1.5MM L CURTAIN RETAINER STRIP	1
42	CZB02467	TOP DOOR BARREL WRAP CHAIN GUARD FUS 3	1
43	CZB04402	1.5MM L CHAIN GUARD TOP DOOR FUS 3	1
44	CZF00292	6MM L CAP LONG FOR 25MM PINS	4

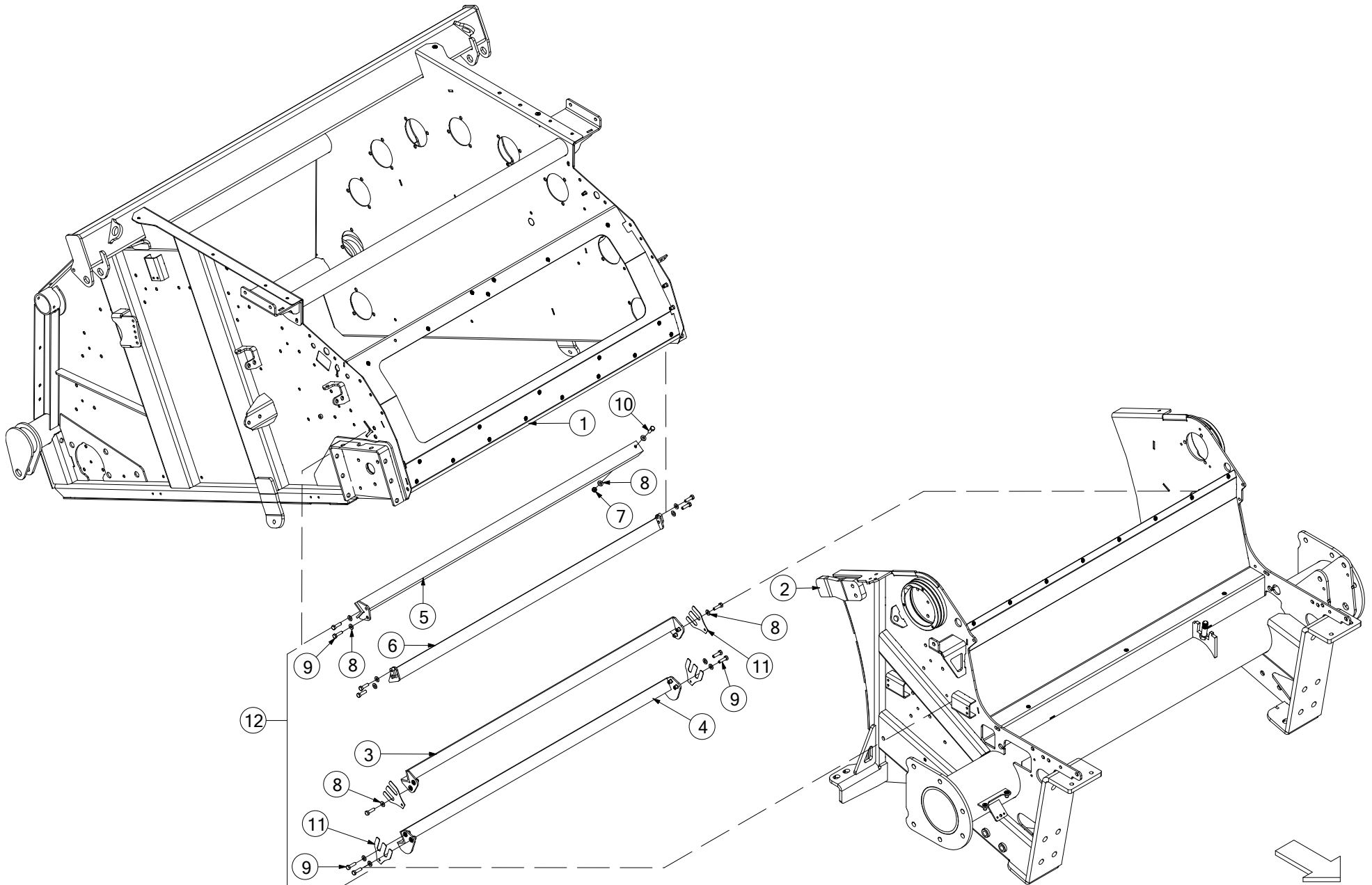
Chain Tensioners (1454)



No.	Part No	Description	Qty
1	ACH00188	DOOR CHAIN TENSION WELD ASSY.	1
2	ACH00233	BOTTOM DOOR CHAIN TENSIONER ASSY	1
3	ACH00359	DOOR CHAIN TENSION COMP ASSY	1
<i>TOP CHAMBER DOOR TENSIONER (TOP DOOR CHAIN)</i>			
4	ACH00360	BOTTOM DOOR CHAIN TENSION ASSY	1
<i>BOTTOM CHAMBER DOOR TENSIONER (BOTTOM DOOR CHAIN)</i>			
5	ACH00437	FRONT CHAIN ADJ COMPLETE	1
6	ACH00954	CHAIN TENSIONER WELD ASSY	1
7	ACH00955	CHAIN TENSIONER COMP ASSY	1
<i>FRONT CHAMBER TENSIONER (MAIN DRIVE CHAIN)</i>			
8	ACH01398	CHAIN TENSIONER COMP FUSION 3	1
<i>CHASSIS TENSIONER (MAIN DRIVE TO BOTTOM DOOR CHAIN)</i>			
9	ACH01534	CHAIN TENSIONER WELD ASSY FUSION 3	1
10	CBR00010	BEARING GLACIER PM 2525 SY	6
11	CBR00294	BEARING 6307 2RS	4
12	CFA00016	BOLT M10X35	1
13	CFA00025	SETSCREW M10X30	2
14	CFA00035	BOLT M12X100 Z/P	1
16	CFA00063	BOLT M16X90 Z/P	1
17	CFA00076	BOLT M12X60 Z/P	1
18	CFA00123	NUT M10 NYLOC	3
19	CFA00124	NUT M12 NYLOC	6
20	CFA00125	NUT M12 Z/P	2
21	CFA00127	NUT M16	1
22	CFA00128	NUT M16 NYLOC	3
23	CFA02489	WASHER 13MM SPHERICAL DIN 6319 C	3
24	CFA00135	WASHER FLAT 1" Z/P	3
25	CFA00138	WASHER FLAT 12MM Z/P	8
26	CFA00140	WASHER FLAT 16MM Z/P	2
27	CFA02490	CONICAL SEAT 14.2MM DIN 6319 D	3
28	CFA00201	WASHER FLAT 10 MM Z/P	6
29	CFA00250	WASHER SKM12	2
30	CFA00579	BOLT M12X65 Z/P	1
31	CFA00279	BOLT M12X90	1
32	CFA00330	BOLT M12X80 Z/P	1
33	CFA00475	SPLIT PIN 5X40 Z/P	3
34	CFA00592	BOLT M12X70 Z/P	1
35	CFA00672	EYE BOLT 16MM SPRING TENSIONER	1
36	CFA01164	SETSCREW M12X200 Z/P	3
37	CFA00794	BOLT M16 X 90	1
38	CFA00882	80MM INTERNAL CIRCLIP DIN 472	4
39	CMH00464	BUSH 45X17X10 STEPPED 25 Z/P	3
40	CMH00467	BUSH 45X12.5X52 STEPPED 35 Z/P	3
41	CMH00675	PIN 25 X 140 MILLED FOR CAP Z/P	1
42	CMH01252	SPROCKET 1 1/4" 13 TOOTH	4
43	CSG00025	SPRING COMP 8.5X44.8X140X10 Z/P	1
44	CSG00318	SPRING EXT 7X38.5 OD X 375	3
45	CXT00185	TUBE 42.4X3X16	3
46	CXT00490	TUBE 33.7X71	1

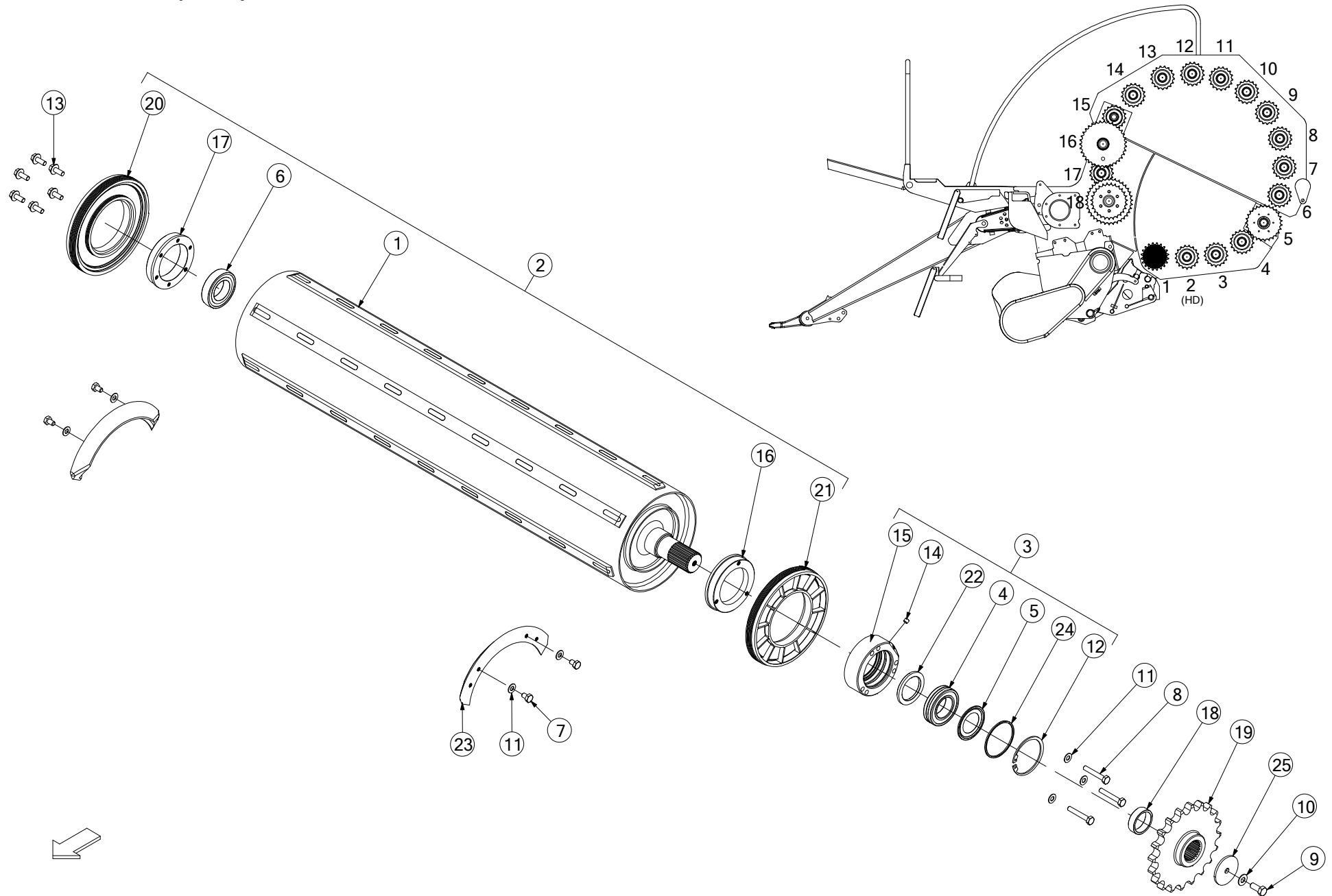
47	CZC02057	3MM L CHAIN TENSIONER	1
48	ACH03303	FUSION TENSIONER BRACKET	1
49	CZD02186	4MM L WASHER 50X13X4	1
50	CZF00292	6MM L CAP LONG FOR 25MM PINS	1
51	CZF10577	6MM L TENSIONER PLATE	1
52	CZG02236	8MM L SPACER PART	2

NRF angles [From Serial No 662450] (1311)



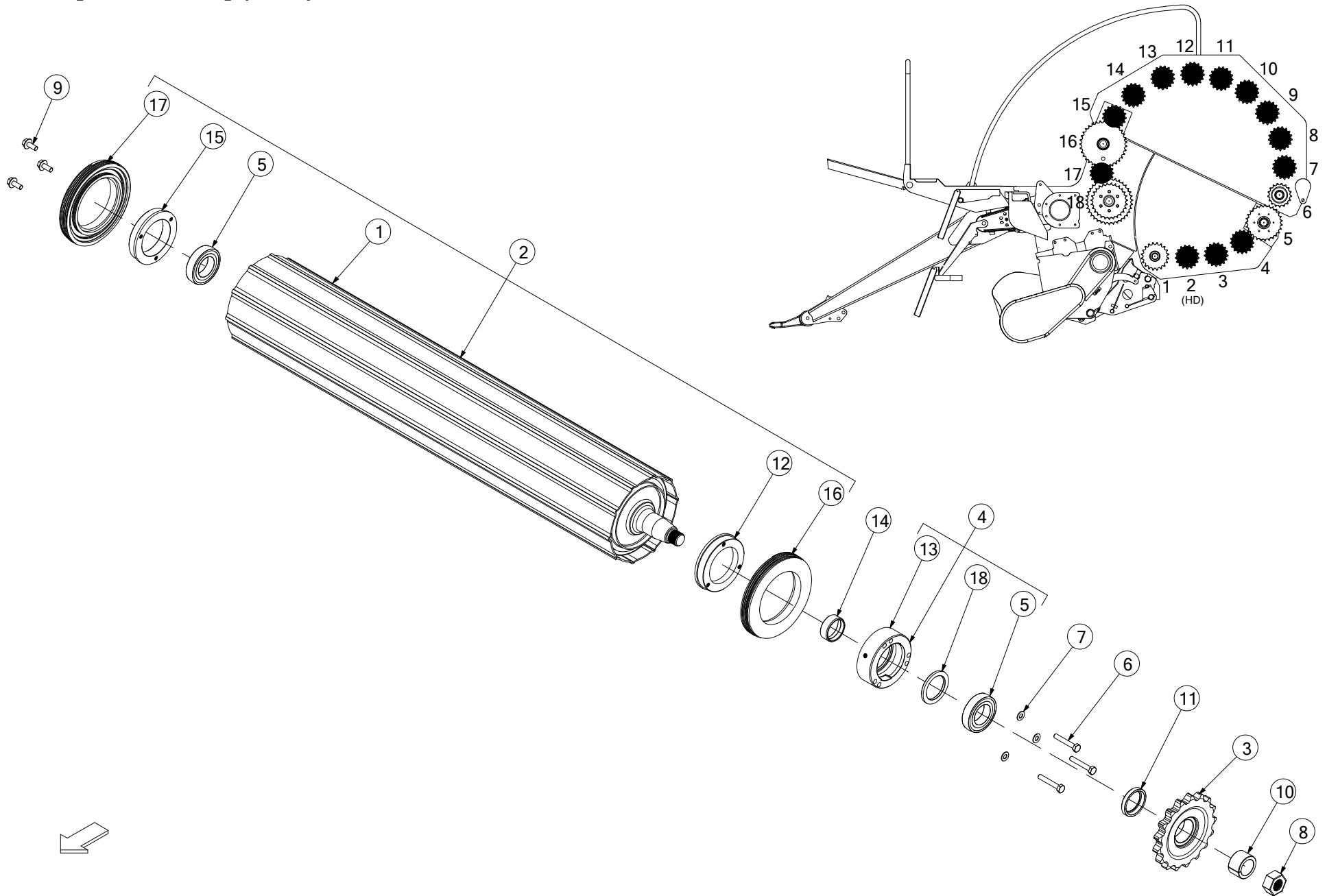
No.	Part No	Description	Qty
1	ACH01336	TOP DOOR WELD ASSY FUSION NRF <i>USED ON FUSION 3 PLUS (NRF) FROM SERIAL No 656741</i>	1
2	ACH01332	FRONT CHAMBER FUSION PLUS NRF <i>USED ON FUSION 3 PLUS (NRF) UP TO SERIAL No 666623</i>	1
2	ACH01642	FRONT CHAMBER FUSION PLUS NRF <i>USED ON FUSION 3 PLUS (NRF) FROM SERIAL No 666624</i>	1
3	ACN00161	ROLLER ANGLE IRON FRONT DOOR FUSION <i>UPPER ANGLE FITTED TO FRONT CHAMBER</i>	1
4	ACN00164	FRONT DOOR BOTTOM ANGLE IRON <i>LOWER ANGLE FITTED TO FRONT CHAMBER</i>	1
5	ACN00165	F5600-FUSION PLUS TOP PULL OUT ANGLE IRON <i>FITTED TO TOP CHAMBER DOOR (INSTALLED FROM RHS)</i>	1
6	ACN00176	ROLLER ANGLE IRON TOP DOOR PIVOT <i>NO LONGER REQUIRED (USED ON OLDER MACHINES ONLY)</i>	1
7	CFA00132	NUT M8 NYLOC Z/P	1
8	CFA00249	WASHER SKM8	16
9	CFA00316	BOLT M8X30 Z/P	14
10	CFA00407	BOLT M8X25 Z/P	1
11	CZB01003	1.5MM L ANGLE IRON SHIM <i>USE SHIMS IF REQUIRED TO FILL GAP BETWEEN FRONT CHAMBER WALLS & ANGLE END PLATES</i>	4
12	REP00071	ANGLE IRON KIT F3+ FROM SERIAL No 662450 <i>INCLUDES ITEMS 3, 4, 5, 7, 8, 9 & 10 ALONG WITH INSTRUCTION SHEET</i>	1

Slatted Roller (1258)



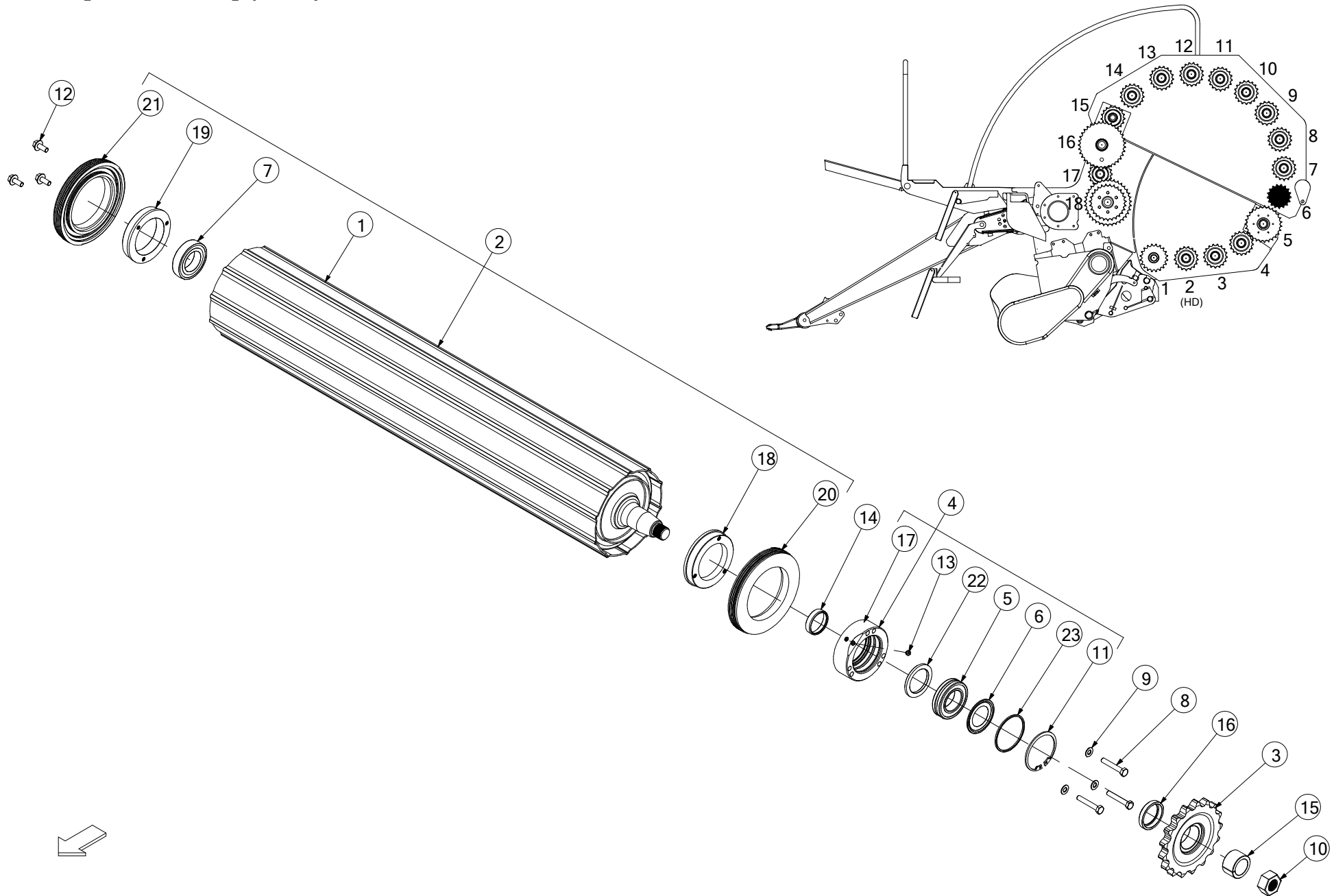
No.	Part No	Description	Qty
1	ARC00183	CHAMBER ROLLER NUMBER 1 WELD ASSY	1
2	ARC00243	NO 1 ROLLER SPARE PARTS REPLACEMENT	1
		<i>(ALSO INCLUDES ITEM 19 SPROCKET CMH01324) REPLACES ARC00238</i>	
3	ART00051	BEARING ROLLER COMP ASSY	1
4	CBR00060	BEARING SPHERICAL SKF 2210CC	1
5	CBR00061	NILOS-RING 6210AV	1
6	CBR00083	BEARING 1726210-2RS RADIAL	1
7	CFA00022	SETSCREW M10X16 Z/P	4
8	CFA00028	BOLT M10X65 Z/P	3
9	CFA00032	SETSCREW M12X30 Z/P	1
10	CFA00250	WASHER SKM12	1
11	CFA00251	WASHER SKM10	7
12	CFA00452	CIRCLIP 95MM INTERNAL	1
13	CFA00520	SETSCREW M10X25 FLD ZP	6
14	CFA00671	GRUBSCREW 1/8" BSP	1
15	CMH00511	BUSH 90X135X46 BEARING HOUSING	1
16	CMH00696	FLANGE 90X140X25 MACHINED	1
17	CMH00697	FLANGE 90X145X25 6 HOLE	1
18	CMH00812	BUSH 50X60X17	1
19	CMH01324	SPROCKET 1 1/4" PITCH 20T (50MM SPLINE)	1
20	CPL00107	SEAL ROLLER NO.1 NDS (LARGE)	1
		<i>CPL00107 & CPL00108 SHOULD BE REPLACED AS A PAIR</i>	
21	CPL00108	SEAL ROLLER NO.1 DS (LARGE)	1
		<i>CPL00107 & CPL00108 SHOULD BE REPLACED AS A PAIR</i>	
22	CSE00099	SEAL OIL 58X80X8	1
23	CTP00517	V6 NO1 ROLLER SEAL PROTECTOR	2
24	CZC02063	3MM L BEARING RETAINER RING	1
25	CZE00115	BALE SPLITTER WASHER	1

Roller [Short Shaft] (1260)



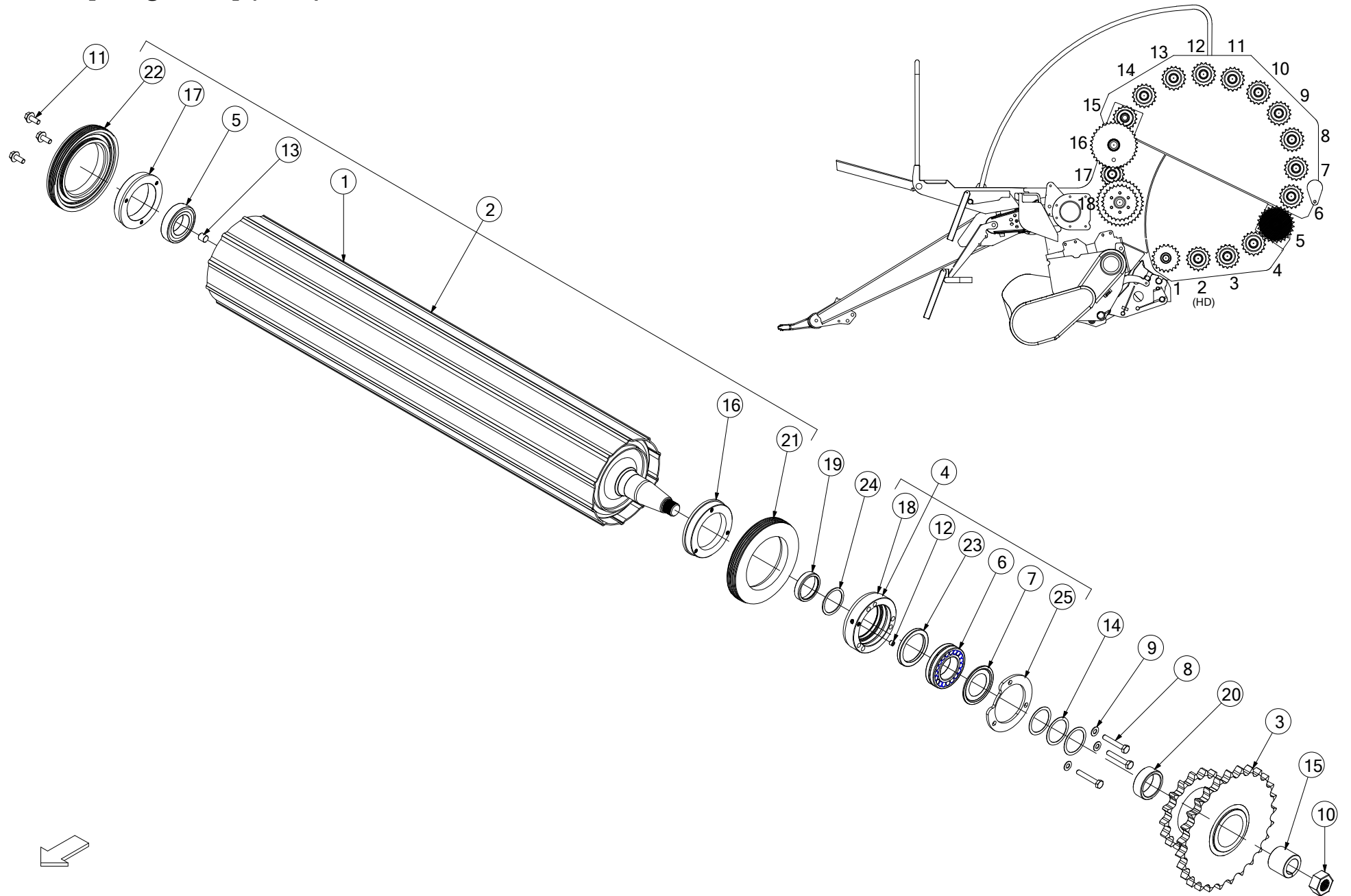
No.	Part No	Description	Qty
1	ARC00029	BALER ROLLER SHORT SHAFT	13
1	ARC00167	ROLLER SHORT SHAFT HEAVY DUTY	1
		<i>HEAVY DUTY OPTION FOR CHAMBER ROLLER POSITION 2</i>	
2	ARC00030	BALER ROLLER SHORT SHAFT ASM	13
2	ARC00168	BALER ROLLER HEAVY DUTY COMP ASSY	1
		<i>HEAVY DUTY OPTION FOR CHAMBER ROLLER POSITION 2</i>	
3	ART00081	1 1/4" PITCH 17 T SPROCKET ASY	1
4	ART00293	BEARING HOUSING 76210 ASSY	1
5	CBR00083	BEARING 1726210-2RS RADIAL	2
6	CFA00028	BOLT M10X65 Z/P	3
7	CFA00251	WASHER SKM10	3
8	CFA00401	NUT M30X2 FINE THREAD	1
9	CFA00520	SETSCREW M10X25 FLD ZP	3
10	CMH00507	BUSH 39X56X33 TAPER	1
11	CMH00510	BUSH 50X68X12.5 STEP	1
12	CMH00696	FLANGE 90X140X25 MACHINED	1
13	CMH00905	BUSH 90X135X46 BEARING HOUSING	1
14	CMH00906	BEARING ROLLER SLEEVE 50 IDX21	1
15	CMH01187	FLANGE 90X145X25 3 HOLE	1
16	CPL00052	NYLON SEAL ROLLER DRIVE SIDE	1
		<i>CPL00052 & CPL00053 SHOULD BE REPLACED AS A PAIR</i>	
17	CPL00053	NYLON SEAL ROLLER NON DRIVE SIDE	1
		<i>CPL00052 & CPL00053 SHOULD BE REPLACED AS A PAIR</i>	
18	CSE00099	SEAL OIL 58X80X8	1

Roller [Short Shaft] (1259)



No.	Part No	Description	Qty
1	ARC00029	BALER ROLLER STD SHFT WELD ASY	1
2	ARC00030	BALER ROLLER SHORT SHAFT COMP ASM	1
3	ART00081	1 1/4" PITCH 17 T SPROCKET ASM	1
4	ART00051	BEARING ROLLER COMP ASSY	1
5	CBR00060	BEARING SPHERICAL SKF 2210CC	1
6	CBR00061	NILOS-RING 6210AV	1
7	CBR00083	BEARING 1726210-2RS RADIAL	1
8	CFA00028	BOLT M10X65 Z/P	3
9	CFA00251	WASHER SKM10	3
10	CFA00401	NUT M30X2 FINE THREAD	1
11	CFA00452	CIRCLIP 95MM INTERNAL	1
12	CFA00520	SETSCREW M10X25 FLD ZP	3
13	CFA00671	GRUBSCREW 1/8" BSP	1
14	CMH00445	BEARING ROLLER SLEEVE 50 ID	1
15	CMH00507	BUSH 39X56X33 TAPERED COLLET	1
16	CMH00510	BUSH 50X68X12.5	1
17	CMH00511	BUSH 90X135X46 BEARING HOUSING	1
18	CMH00696	FLANGE 90X140X25 MACHINED	1
19	CMH01187	FLANGE 90X130X24 3 HOLE	1
20	CPL00052	NYLON SEAL ROLLER DRIVE SIDE	1
<i>CPL00052 & CPL00053 SHOULD BE REPLACED AS A PAIR</i>			
21	CPL00053	NYLON SEAL ROLLER NON DRIVE SIDE	1
<i>CPL00052 & CPL00053 SHOULD BE REPLACED AS A PAIR</i>			
22	CSE00099	SEAL OIL 58X80X8	1
23	CZC02063	3MM L BEARING RETAINER RING	1

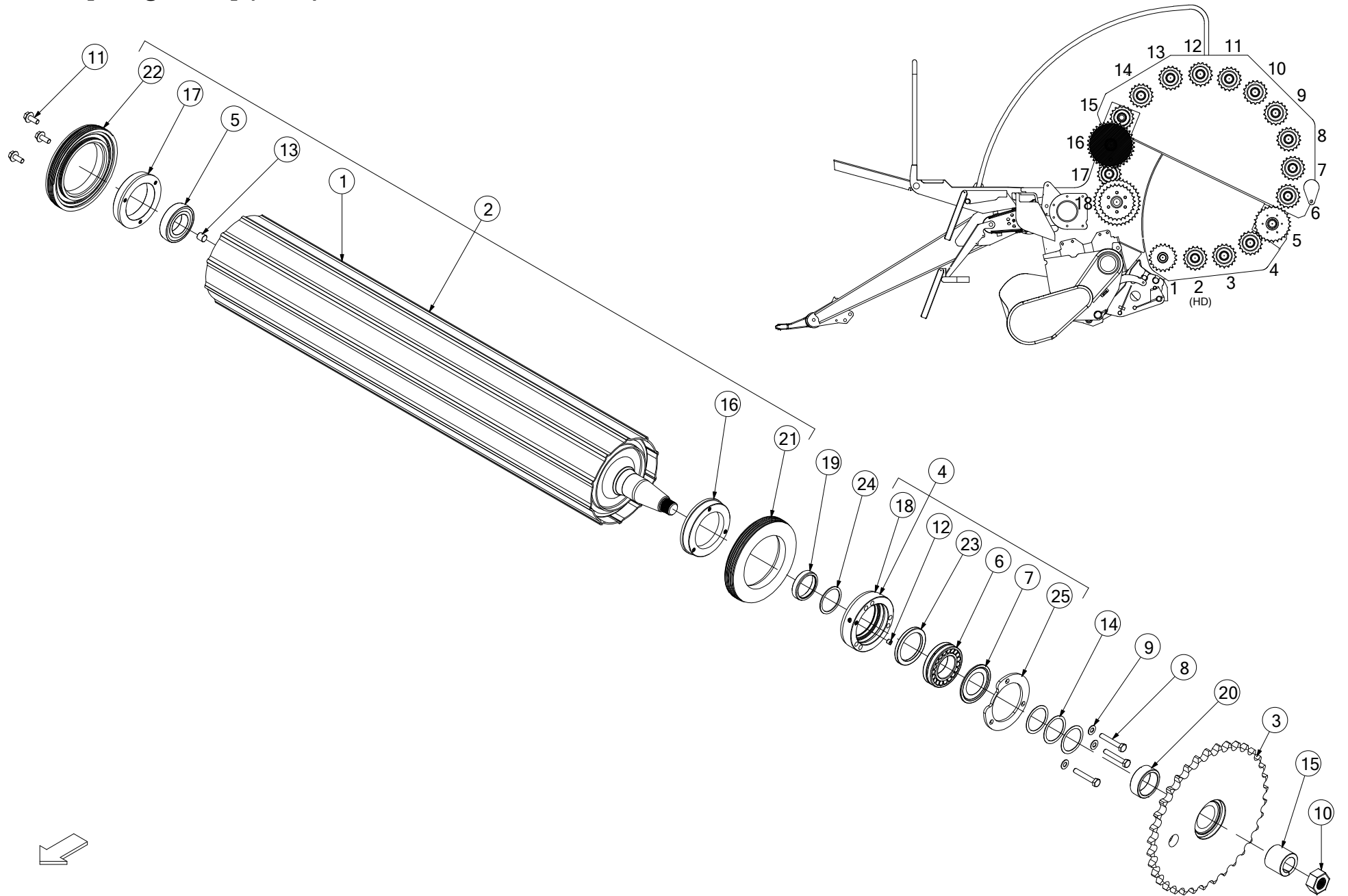
Roller [Long Shaft] (1444)



No.	Part No	Description	Qty
1	ARC00457	ROLLER WELD LONG SHAFT 55MM DIA <i>FROM SERIAL No 665120 (PRIOR TO SERIAL No 665120 ALSO ORDER ADAPTOR KIT KST00091)</i>	1
1a	KST00091	KIT FOR 55MM LONG SHAFT ROLLER <i>KIT TO ADAPT FROM 50MM TO 55MM (INCLUDES ITEMS 4, 5, 10, 14, 16, 17, 19, 20, 21 & 22 PLUS INSTRUCTIONS, ETC)</i>	1
2	ARC00459	ROLLER LONG SHAFT Ø55 COMP ASM <i>FROM SERIAL No 665120 (PRIOR TO SERIAL No 665120 ORDER ARC00457 & CONV-KIT KST00091)</i>	1
3	ART00310	DUPLEX SPROCKET COMP ASSY	1
4	ART00051	BEARING ROLLER COMP ASSY <i>UP TO SERIAL No 665119</i>	1
4	ART00387	BEARING HOUSING 22211 COMP <i>FROM SERIAL No 665120</i>	1
5	CBR00083	BEARING 1726210-2RS RADIAL	1
6	CBR00060	BEARING SPHERICAL SKF 2210CC <i>UP TO SERIAL No 665119</i>	1
6	CBR00355	BEARING 22211 SPHERICAL ROLLER <i>FROM SERIAL No 665120</i>	1
7	CBR00061	NILOS-RING 6210AV <i>UP TO SERIAL No 665119</i>	1
7	CBR00356	NILOS-RING 2211AV <i>FROM SERIAL No 665120</i>	1
8	CFA00028	BOLT M10X65 Z/P	3
9	CFA00251	WASHER SKM10	3
10	CFA00401	NUT M30X2 FINE THREAD	1
11	CFA00520	SETSCREW M10X25 FLD ZP	3
12	CFA00671	GRUBSCREW 1/8" BSP	1
13	CFA00906	GRUB SCREW M16X16 DIN913	1
14	CFA00048	SHIM 50X62X1.0 <i>UP TO SERIAL No 665119</i>	3
14	CFA01143	SHIM 55X67X1.0 <i>FROM SERIAL No 665120</i>	3
15	CMH00508	BUSH 36X58X47 TAPERED COLLET	1
16	CMH00696	FLANGE 90X140X25 MACHINED	1
17	CMH01187	FLANGE 90X130X24 3 HOLE	1
18	CMH00511	BUSH 90X135X46 BEARING HOUSING <i>UP TO SERIAL No 665119</i>	1
18	CMH01853	BUSH 100X135X38 BEARING HOUSING <i>FROM SERIAL No 665120</i>	1
19	CMH00445	BEARING ROLLER SLEEVE 50 IDX14 <i>UP TO SERIAL No 665119</i>	1
19	CMH01857	BEARING ROLLER SLEEVE 55 IDX14 <i>FROM SERIAL No 665120</i>	1
20	CMH00736	BUSH 50X68X25 STEPPED 58 <i>UP TO SERIAL No 665119</i>	1
20	CMH01858	BUSH 55X70X25 <i>FROM SERIAL No 665120</i>	1
21	CPL00052	NYLON SEAL ROLLER DRIVE SIDE <i>CPL00052 & CPL00053 SHOULD BE REPLACED AS A PAIR</i>	1
22	CPL00053	NYLON SEAL ROLLER NON DRIVE SIDE <i>CPL00052 & CPL00053 SHOULD BE REPLACED AS A PAIR</i>	1
23	CSE00099	SEAL OIL 58X80X8 <i>UP TO SERIAL No 665119</i>	1
23	CSE00657	SEAL 68X90X8 <i>FROM SERIAL No 665120</i>	1

24	CZB00428	2MM SPACER RING PART 55MM ROLLER <i>FROM SERIAL No 665120</i>	1
25	CZC02063	3MM L BEARING RETAINER RING <i>UP TO SERIAL No 665119</i>	1
25	CFA00452	CIRCLIP 95MM INTERNAL <i>UP TO SERIAL No 665119</i>	1
25	CZF00334	6MM L BEARING RETAINER RING <i>FROM SERIAL No 665120</i>	1

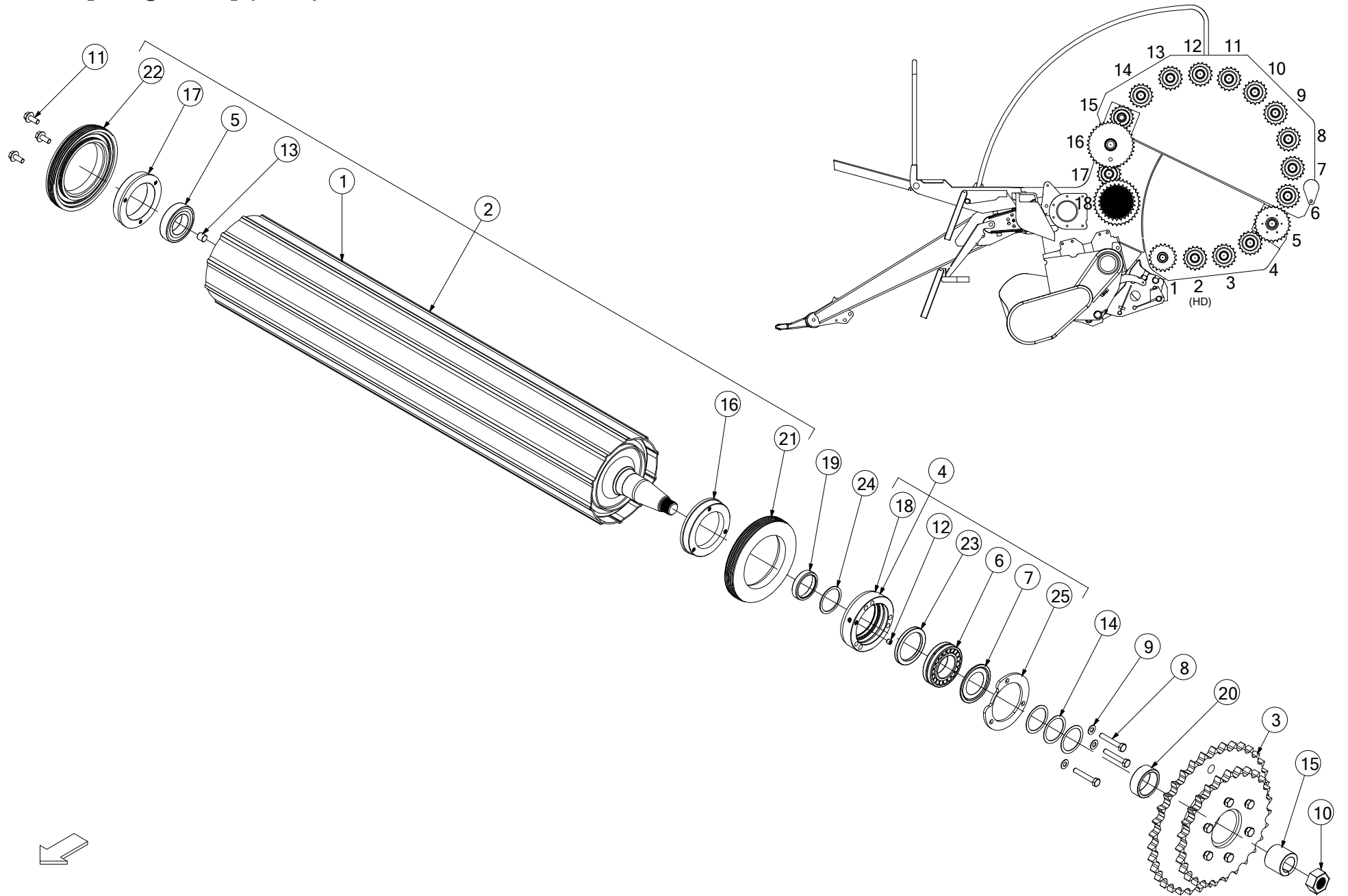
Roller [Long Shaft] (1261)



No.	Part No	Description	Qty
1	ARC00457	ROLLER WELD LONG SHAFT 55MM DIA <i>FROM SERIAL 665992 (PRIOR TO SERIAL 665992 ALSO ORDER ADAPTOR KIT KST00091)</i>	1
1a	KST00091	KIT FOR 55MM LONG SHAFT ROLLER <i>KIT TO ADAPT FROM 50MM TO 55MM (INCLUDES ITEMS 4, 5, 10, 14, 16, 17, 19, 20, 21 & 22 PLUS INSTRUCTIONS, ETC)</i>	1
2	ARC00459	ROLLER LONG SHAFT Ø55 COMP ASM <i>FROM SERIAL 665992 (PRIOR TO SERIAL 665992 ORDER ARC00457 & CONV-KIT KST00091)</i>	1
3	ART00087	SPROCKET ASSY BOTTOM DOOR DRIVE	1
4	ART00051	BEARING ROLLER COMP ASSY <i>UP TO SERIAL No 665991</i>	1
4	ART00387	BEARING HOUSING 22211 COMP <i>FROM SERIAL No 665992</i>	1
5	CBR00083	BEARING 1726210-2RS RADIAL	1
6	CBR00060	BEARING SPHERICAL SKF 2210CC <i>UP TO SERIAL No 665991</i>	1
6	CBR00355	BEARING 22211 SPHERICAL ROLLER <i>FROM SERIAL No 665992</i>	1
7	CBR00061	NILOS-RING 6210AV <i>UP TO SERIAL No 665991</i>	1
7	CBR00356	NILOS-RING 2211AV <i>FROM SERIAL No 665992</i>	1
8	CFA00028	BOLT M10X65 Z/P	3
9	CFA00251	WASHER SKM10	3
10	CFA00401	NUT M30X2 FINE THREAD	1
11	CFA00520	SETSCREW M10X25 FLD ZP	3
12	CFA00671	GRUBSCREW 1/8" BSP	1
13	CFA00906	GRUB SCREW M16X16 DIN913	1
14	CFA00048	SHIM 50X62X1.0 <i>UP TO SERIAL No 665991</i>	3
14	CFA01143	SHIM 55X67X1.0 <i>FROM SERIAL No 665992</i>	3
15	CMH00508	BUSH 36X58X47 TAPERED COLLET	1
16	CMH00696	FLANGE 90X140X25 MACHINED	1
17	CMH01187	FLANGE 90X130X24 3 HOLE	1
18	CMH00511	BUSH 90X135X46 BEARING HOUSING <i>UP TO SERIAL No 665991</i>	1
18	CMH01853	BUSH 100X135X38 BEARING HOUSING <i>FROM SERIAL No 665992</i>	1
19	CMH00445	BEARING ROLLER SLEEVE 50 IDX14 <i>UP TO SERIAL No 665991</i>	1
19	CMH01857	BEARING ROLLER SLEEVE 55 IDX14 <i>FROM SERIAL No 665992</i>	1
20	CMH00736	BUSH 50X68X25 STEPPED 58 <i>UP TO SERIAL No 665991</i>	1
20	CMH01858	BUSH 55X70X25 <i>FROM SERIAL No 665992</i>	1
21	CPL00052	NYLON SEAL ROLLER DRIVE SIDE <i>CPL00052 & CPL00053 SHOULD BE REPLACED AS A PAIR</i>	1
22	CPL00053	NYLON SEAL ROLLER NON DRIVE SIDE <i>CPL00052 & CPL00053 SHOULD BE REPLACED AS A PAIR</i>	1
23	CSE00099	SEAL OIL 58X80X8 <i>UP TO SERIAL No 665991</i>	1
23	CSE00657	SEAL 68X90X8 <i>FROM SERIAL No 665992</i>	1

24	CZB00428	2MM SPACER RING PART 55MM ROLLER <i>FROM SERIAL No 665992</i>	1
25	CZC02063	3MM L BEARING RETAINER RING <i>UP TO SERIAL No 665991</i>	1
25	CFA00452	CIRCLIP 95MM INTERNAL <i>UP TO SERIAL No 665991</i>	1
25	CZF00334	6MM L BEARING RETAINER RING <i>FROM SERIAL No 665992</i>	1

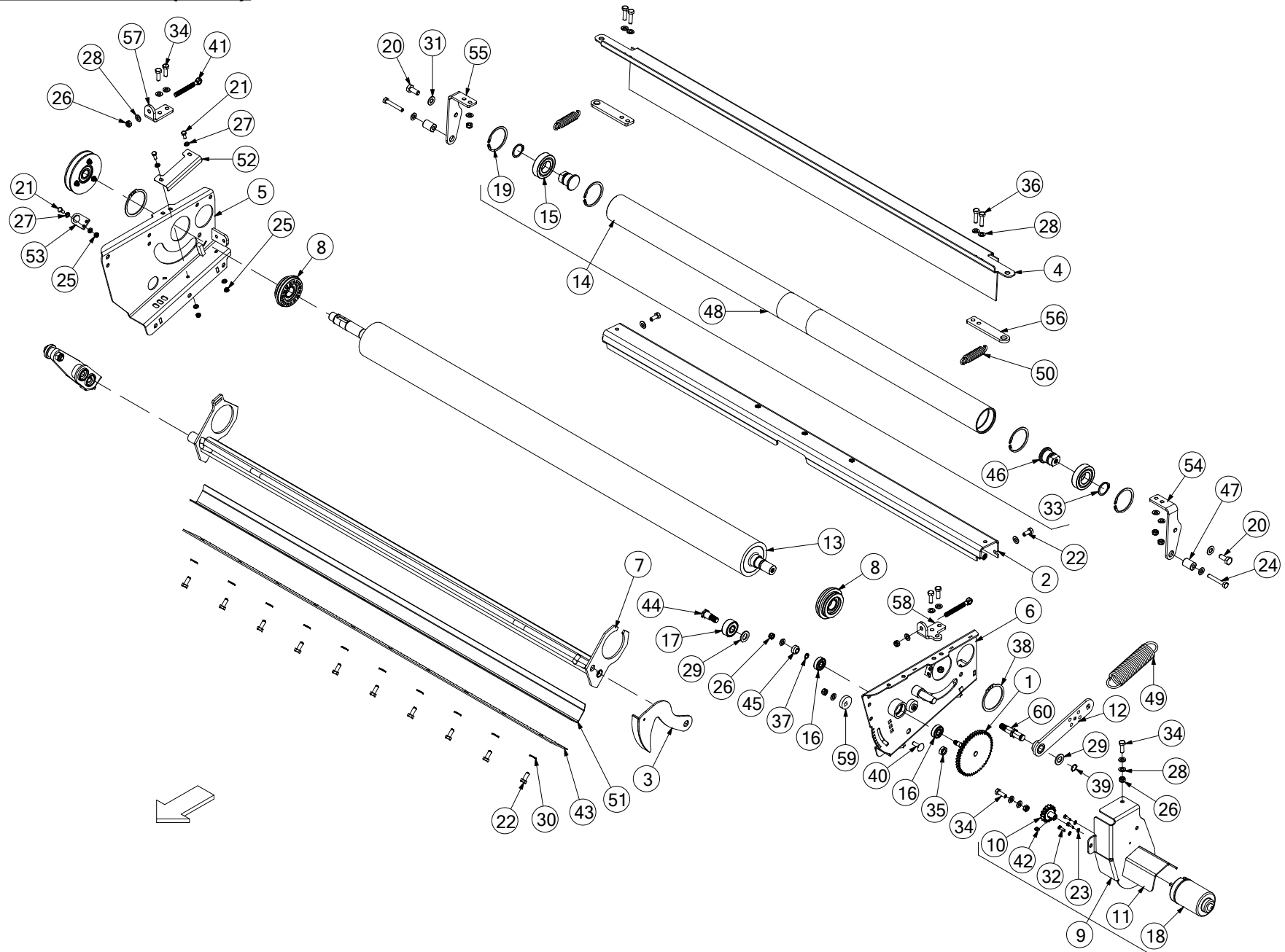
Roller [Long Shaft] (1445)



No.	Part No	Description	Qty
1	ARC00457	ROLLER WELD LONG SHAFT 55MM DIA <i>FROM SERIAL 665992 (PRIOR TO SERIAL 665992 ALSO ORDER ADAPTOR KIT KST00091)</i>	1
1a	KST00091	KIT FOR 55MM LONG SHAFT ROLLER <i>KIT TO ADAPT FROM 50MM TO 55MM (INCLUDES ITEMS 4, 5, 10, 14, 16, 17, 19, 20, 21 & 22 PLUS INSTRUCTIONS, ETC)</i>	1
2	ARC00459	ROLLER LONG SHAFT Ø55 COMP ASM <i>FROM SERIAL 665992 (PRIOR TO SERIAL 665992 ORDER ARC00457 & CONV-KIT KST00091)</i>	1
3	ART00085	SPROCKET ASSY BOTTOM DOOR DRIVE	1
4	ART00051	BEARING ROLLER COMP ASSY <i>UP TO SERIAL No 665991</i>	1
4	ART00387	BEARING HOUSING 22211 COMP <i>FROM SERIAL No 665992</i>	1
5	CBR00083	BEARING 1726210-2RS RADIAL	1
6	CBR00060	BEARING SPHERICAL SKF 2210CC <i>UP TO SERIAL No 665991</i>	1
6	CBR00355	BEARING 22211 SPHERICAL ROLLER <i>FROM SERIAL No 665992</i>	1
7	CBR00061	NILOS-RING 6210AV <i>UP TO SERIAL No 665991</i>	1
7	CBR00356	NILOS-RING 2211AV <i>FROM SERIAL No 665992</i>	1
8	CFA00028	BOLT M10X65 Z/P	3
9	CFA00251	WASHER SKM10	3
10	CFA00401	NUT M30X2 FINE THREAD	1
11	CFA00520	SETSCREW M10X25 FLD ZP	3
12	CFA00671	GRUBSCREW 1/8" BSP	1
13	CFA00906	GRUB SCREW M16X16 DIN913	1
14	CFA00048	SHIM 50X62X1.0 <i>UP TO SERIAL No 665991</i>	3
14	CFA01143	SHIM 55X67X1.0 <i>FROM SERIAL No 665992</i>	3
15	CMH00508	BUSH 36X58X47 TAPERED COLLET	1
16	CMH00696	FLANGE 90X140X25 MACHINED	1
17	CMH01187	FLANGE 90X130X24 3 HOLE	1
18	CMH00511	BUSH 90X135X46 BEARING HOUSING <i>UP TO SERIAL No 665991</i>	1
18	CMH01853	BUSH 100X135X38 BEARING HOUSING <i>FROM SERIAL No 665992</i>	1
19	CMH00445	BEARING ROLLER SLEEVE 50 IDX14 <i>UP TO SERIAL No 665991</i>	1
19	CMH01857	BEARING ROLLER SLEEVE 55 IDX14 <i>FROM SERIAL No 665992</i>	1
20	CMH00736	BUSH 50X68X25 STEPPED 58 <i>UP TO SERIAL No 665991</i>	1
20	CMH01858	BUSH 55X70X25 <i>FROM SERIAL No 665992</i>	1
21	CPL00052	NYLON SEAL ROLLER DRIVE SIDE <i>CPL00052 & CPL00053 SHOULD BE REPLACED AS A PAIR</i>	1
22	CPL00053	NYLON SEAL ROLLER NON DRIVE SIDE <i>CPL00052 & CPL00053 SHOULD BE REPLACED AS A PAIR</i>	1
23	CSE00099	SEAL OIL 58X80X8 <i>UP TO SERIAL No 665991</i>	1
23	CSE00657	SEAL 68X90X8 <i>FROM SERIAL No 665992</i>	1

24	CZB00428	2MM SPACER RING PART 55MM ROLLER <i>FROM SERIAL No 665992</i>	1
25	CZC02063	3MM L BEARING RETAINER RING <i>UP TO SERIAL No 665991</i>	1
25	CFA00452	CIRCLIP 95MM INTERNAL <i>UP TO SERIAL No 665991</i>	1
25	CZF00334	6MM L BEARING RETAINER RING <i>FROM SERIAL No 665992</i>	1

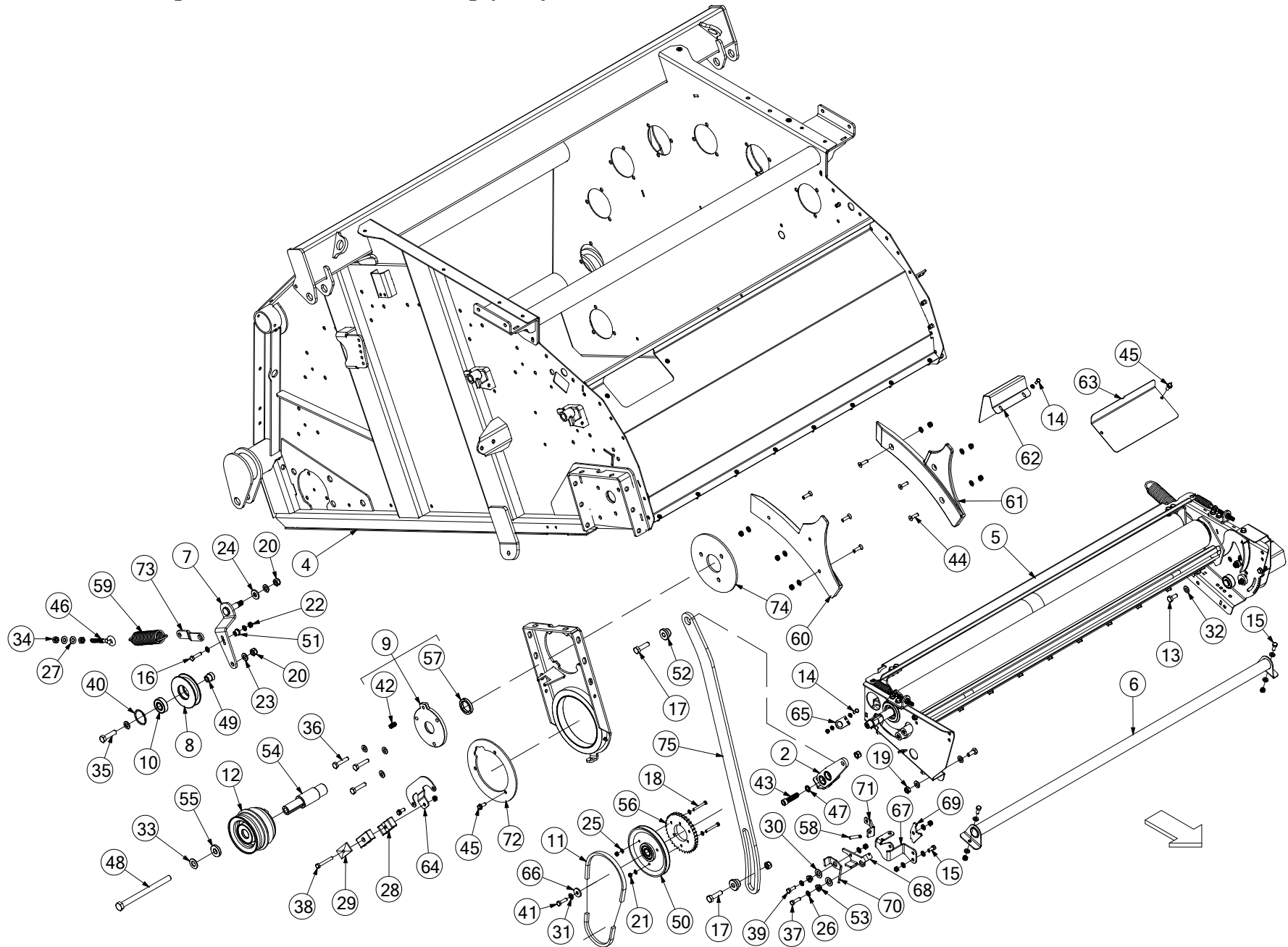
NRF Netter unit 1 (1455)



No.	Part No	Description	Qty
1	ACH00279	PLATEWHEEL ASSY. NET UNIT	1
2	ACH00282	SMALL NET ROLLER GUARD	1
3	ACH00369	NET RELEASE UNIT ASSY.	1
4	ACH00997	NETTER ROLLER COVER ASSY	1
5	ACH01140	NET UNIT (RIGHT) WELD ASSY.	1
6	ACH01141	NET UNIT (LEFT) WELD ASSY.	1
7	ACH01145	KNIFE HOLDER WELD ASSY	1
8	ANT00079	NET KNIFE PIVOT BUSH C/W BEARING	2
9	ANT00117	MOTOR ASSY NET UNIT F3 PLUS	1
<i>INCLUDES ITEMS 10, 11, 18, 23, 32 & 42</i>			
10	ANT00139	10T MOD 2.5 SPUR GEAR NETTER	1
11	ANT00120	NETCUT MOTOR MOUNTING BRACKET	1
12	ANT00100	NET KNIFE PULL LINK (WITH HOLES)	1
13	ARC00267	1300MM DRIVE ROLLER NET UNIT	1
14	ARC00393	TAPER ROLLER NETTER BACK KNURL	1
<i>INCLUDES ITEMS 15, 19, 33, 46 & 48 (REPLACES ARC00336)</i>			
15	CBR00024	BEARING 62062RS	2
16	CBR00067	BEARING 6201	2
17	CBR00081	BEARING CAM INA LR 5202 NPPU	1
<i>REPLACES CBR00273</i>			
18	CEL00991	MOTOR 12VOLT 2000RPM	1
19	CFA00002	CIRCLIP 62MM INTERNAL DIN 472	4
20	CFA00024	SETSCREW M10X25 Z/P	2
21	CFA00045	SETSCREW M6X16	6
22	CFA00052	SETSCREW M8X20 Z/P	12
23	CFA00083	WASHER FLAT 4MM Z/P	3
24	CFA00108	BOLT M8X55 Z/P	2
25	CFA00131	NUT M6 NYLOC	9
26	CFA00132	NUT M8 NYLOC Z/P	16
27	CFA00144	WASHER FLAT 6MM Z/P	18
28	CFA00147	WASHER FLAT 8MM Z/P	28
29	CFA00222	WASHER FLAT 14MM Z/P	2
30	CFA00249	WASHER SKM8	15
31	CFA00251	WASHER SKM10	2
32	CFA00391	SETSCREW M4X16 Z/P	3
33	CFA00402	CIRCLIP 30MM EXTERNAL	2
34	CFA00407	BOLT M8X25 Z/P	8
35	CFA00446	NUT M12 HEXAGON LOCK/HALF NUT	1
36	CFA00491	SETSCREW M8X30 Z/P	5
37	CFA00499	CIRCLIP 10MM EXTERNAL	1
38	CFA00501	CIRCLIP 65MM EXTERNAL	2
39	CFA00463	CIRCLIP 15MM EXTERNAL Z/P DIN 471	1
40	CFA00849	BOLT M8X30 CUPHEAD SQ Z/P	1
41	CFA00887	EYE BOLT M8X80	2
42	CFA01119	GRUBSCREW M5X6MM	2
43	CKN00013	KNIFE FOR NET UNIT VERSION 2	1
44	CMH00672	BOLT SHOULDER 3/4" H	1
45	CMH00705	BUSH 10X25X10 NYLON	1
46	CMH01253	SHAFT STUB FOR ARC00205	2

47	CMH01443	BUSH 8X20X26 Z/P	2
48	CMH01707	ROLLER NETTER 70X60X1260 KNURL	1
49	CSG00017	SPRING EXT 4.47X40.6X176X26	1
50	CSG00231	SPRING EXT 3.66X20X80X15 B/C	2
51	CZB00242	1.5MM L KNIFE GUARD PEICE	1
52	CZB02414	1.5MM L NET UNIT PART FUSION 2	2
53	CZC04877	3MM PROXIMITY SENSOR BOLT ON BRKT	1
54	CZE00210	5MM L NET UNIT BACK ROLLER BRCKT	1
<i>ALSO ORDER MATCHING BRACKET CZE00211 (ITEM 55)</i>			
55	CZE00211	5MM L NET UNIT BACK ROLLER BRCKT	1
<i>ALSO ORDER MATCHING BRACKET CZE00210 (ITEM 54)</i>			
56	CZF05676	6MM L NET UNIT PART	2
57	CZF05677	6MM L SPRING BRACKET NET UNIT	1
58	CZF00452	6MM L SPRING TENSION BRACKET	1
59	CZJ00173	15MM L NET UNIT STOPPER PART	1
60	CMH02869	THREADED 15MM SHANK BOLT W/T STEP	1

NRF Netter unit 2 [from Serial No 657407] (893)

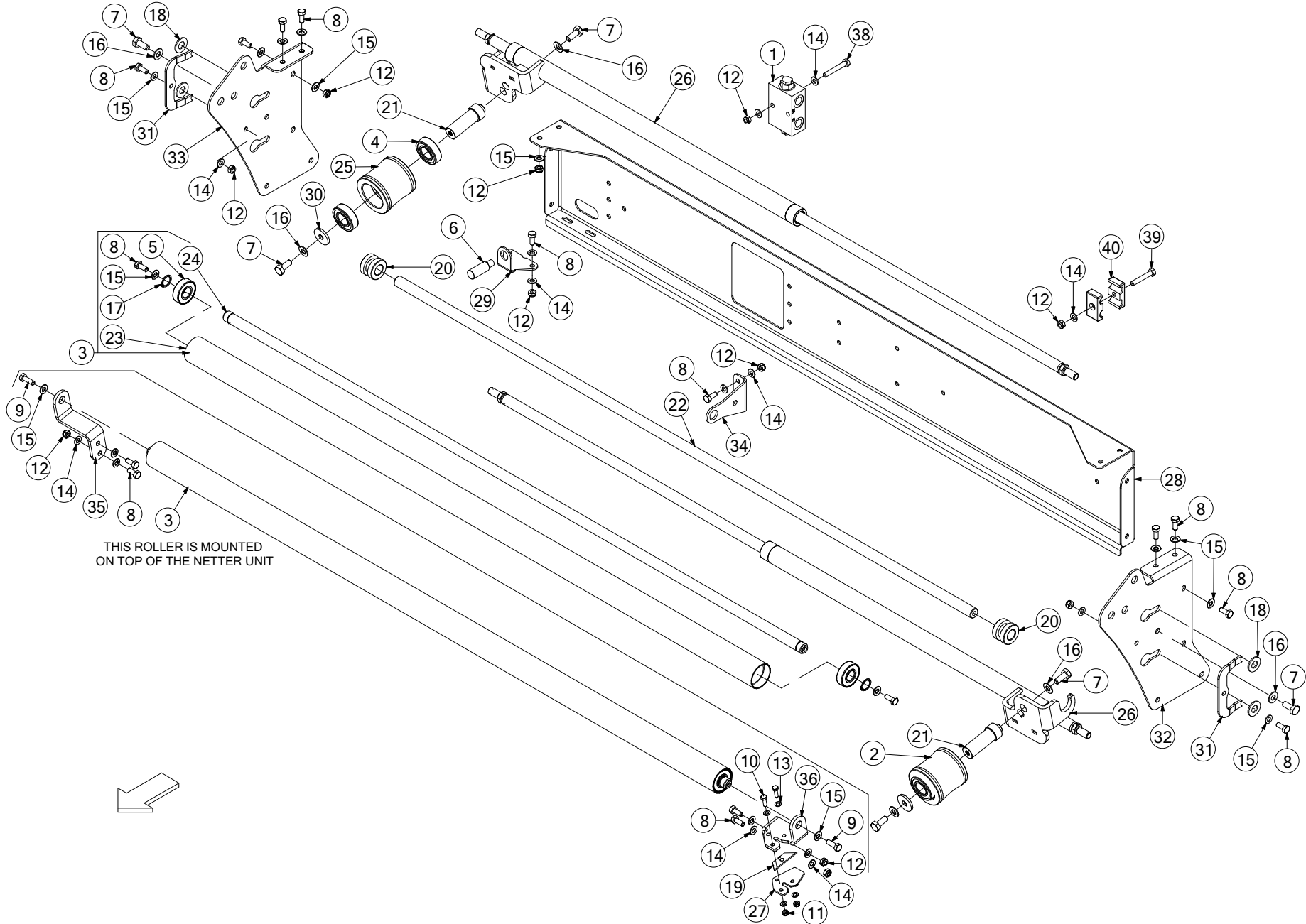


No.	Part No	Description	Qty
2	ACH00868	NET KNIFE RESET ARM FUSION <i>UP TO SERIAL No 665656 (ON FUSION 3 STD) & UP TO SERIAL No 665159 (ON FUSION 3 PLUS)</i>	1
2	ACH01709	HYDRAULIC NET KNIFE RESET BRACKET <i>FROM SERIAL No 665657 (ON FUSION 3 STD & FROM SERIAL No 665160 (ON FUSION 3 PLUS))</i>	1
4	ACH01336	TOP DOOR WELD ASSY FUSION NRF	1
5	ACH01400	NET UNIT FUS 3 PLUS FILM STRETCH	1
6	ADP00313	SPREADER BAR FUSION 3	1
7	ALA00483	BELT TENSION WELD ASSY	1
8	ANT00004	PULLEY WHEEL BELT TENSIONER ASSY <i>INCLUDES BEARING & CIRCLIP (ITEMS 10 & 40)</i>	1
9	ARC00150	SEAL PLATE ASSY NET CLUTCH <i>INCLUDES ITEMS 42 & 57</i>	1
10	CBR00020	BEARING 6204 2RS	1
11	CBE00306	V BELT A59 <i>USED WITH 160MM PULLEY FROM SERIAL No 664521</i>	1
12	CEL00259	SHAFT MOUNTED	1
13	CFA00024	SETSCREW M10X25 Z/P	5
14	CFA00045	SETSCREW M6X16	8
15	CFA00052	SETSCREW M8X20 Z/P	10
16	CFA00055	BOLT M8X35 Z/P	1
17	CFA00079	BOLT M12X45	2
18	CFA00049	SETSCREW M6X50 Z/P	3
19	CFA00123	NUT M10 NYLOC	5
20	CFA00124	NUT M12 NYLOC	4
21	CFA00131	NUT M6 NYLOC	11
22	CFA00132	NUT M8 NYLOC Z/P	28
23	CFA00138	WASHER FLAT 12MM Z/P	3
24	CFA00139	WASHER FLAT 12MM H/D Z/P	1
25	CFA00144	WASHER FLAT 6MM Z/P	25
26	CFA00147	WASHER FLAT 8MM Z/P	44
27	CFA00201	WASHER FLAT 10 MM Z/P	2
28	CFA00203	20MM HOSE CLAMP	2
29	CFA00204	HOSE CLAMP COVER PLATE 20-25	1
30	CFA00222	WASHER FLAT 14MM Z/P	5
31	CFA00249	WASHER SKM8	5
32	CFA00251	WASHER SKM10	14
33	CFA00252	WASHER SKM16	1
34	CFA00256	NUT M10 Z/P	2
35	CFA00272	BOLT M12X50 Z/P	1
36	CFA00310	BOLT M10X50 Z/P	3
37	CFA00316	BOLT M8X30 Z/P	1
38	CFA00340	BOLT M8X60 Z/P	1
39	CFA00407	BOLT M8X25 Z/P	7
40	CFA00458	CIRCLIP 52MM INTERNAL DIN 472	1
41	CFA00491	SETSCREW M8X30 Z/P	1
42	CFA00549	GREASE FITTING 6MM X 1/8 M/M	1
43	CFA00557	BOLT M12X50 SOC CAP ZP	2
44	CFA00593	SETSCREW M8X30 CSK ZP	6
45	CFA00766	SETSCREW M8X20 FLANGED DIN6921 Z/P	5
46	CFA00773	BOLT EYE M10X95	1

47	CFA00799	WASHER M12 NORDLOC	2
48	CFA00955	BOLT M16X210 Z/P	1
49	CMH00261	BEARING HOLDER CONCENTRIC Z/P	1
50	KST00186	NET FEED PULLEY KIT Ø160 FUS3+ <i>SERIAL No 657407 TO 664520 - UPGRADES PULLEY FROM Ø100 TO Ø160 (INCL SPRAG, RATCHET + A59 V-BELT)</i>	1
50	ANT00262	SPA 160MM SPACED PRESSED PULLEY ASM <i>FROM SERIAL No 664521 - INCLUDES SPRAG BEARING (REPLACES ANT00092)</i>	1
51	CMH00742	BUSH 8X20X13 ZINC PLATED	1
52	CMH00771	BUSH 12X35 STEPPED	2
53	CMH01356	BUSH 8X20X7.5 - 4.5 STEP Z/P <i>REPLACES BUSH CMH00871 (8X20X9 - 6.5 STEP) & WASHER (ITEM 30) NO WASHER NEEDED WITH CMH01356</i>	2
54	CMH01394	SHAFT 40X140 STEPPED	1
55	CMH02206	WASHER 16X38X10 STEPPED Z/P	1
56	CPL00237	10MM DISK RATCHET BRAKE	1
57	CSE00098	SEAL RADIAL SHAFT SEAL 35 X 50 X 8	1
58	CSG00047	SPRING EXT 1.2X8.5X59	1
59	CSG00229	SPRING EXT 4.88X40.8X176X24	1
60	CTP00749	WEAR PLATE RH TOP DOOR FUSION	1
61	CTP00750	WEAR PLATE LH TOP DOOR FUSION	1
62	CZB00311	1.5MM FILM GUIDE PLATE FUSION 3	1
63	CZB02530	1.5MM COVER PLATE NRF SENSOR <i>UP TO SERIAL No 659756</i>	1
63	CZB04538	1.5MM COVER PLATE NRF SENSOR <i>FROM SERIAL No 659757</i>	1
64	CZC02567	3MM HOSE BRACKET FUSION 3 PLUS	1
65	CZC04877	3MM PROXIMITY SENSOR BOLT ON BRKT	1
66	CZD02678	4MM L WASHER PART NET UNIT	1
67	CZD02905	4MM RATCHET BRAKE PART	1
68	CZD02908	4MM RATCHET PART BRAKE UNIT	1
69	CZD02912	4MM STOP BRACKET RATCHET BRAKE	1
70	CZD03015	RATCHET BRAKE RELEASE LEVER NETTER	1
71	CZD03025	4MM RATCHET BRAKE SUPPORT PLATE	1
72	CZE00131	5MM L BALER DOOR HINGE PART	1
73	CZF04593	6MM L BELT TENSIONER PART	1
74	CZF04758	3MM L ROLLER SPACER	1
75	CZH03704	10MM L RESET ARM FUSION 3	1

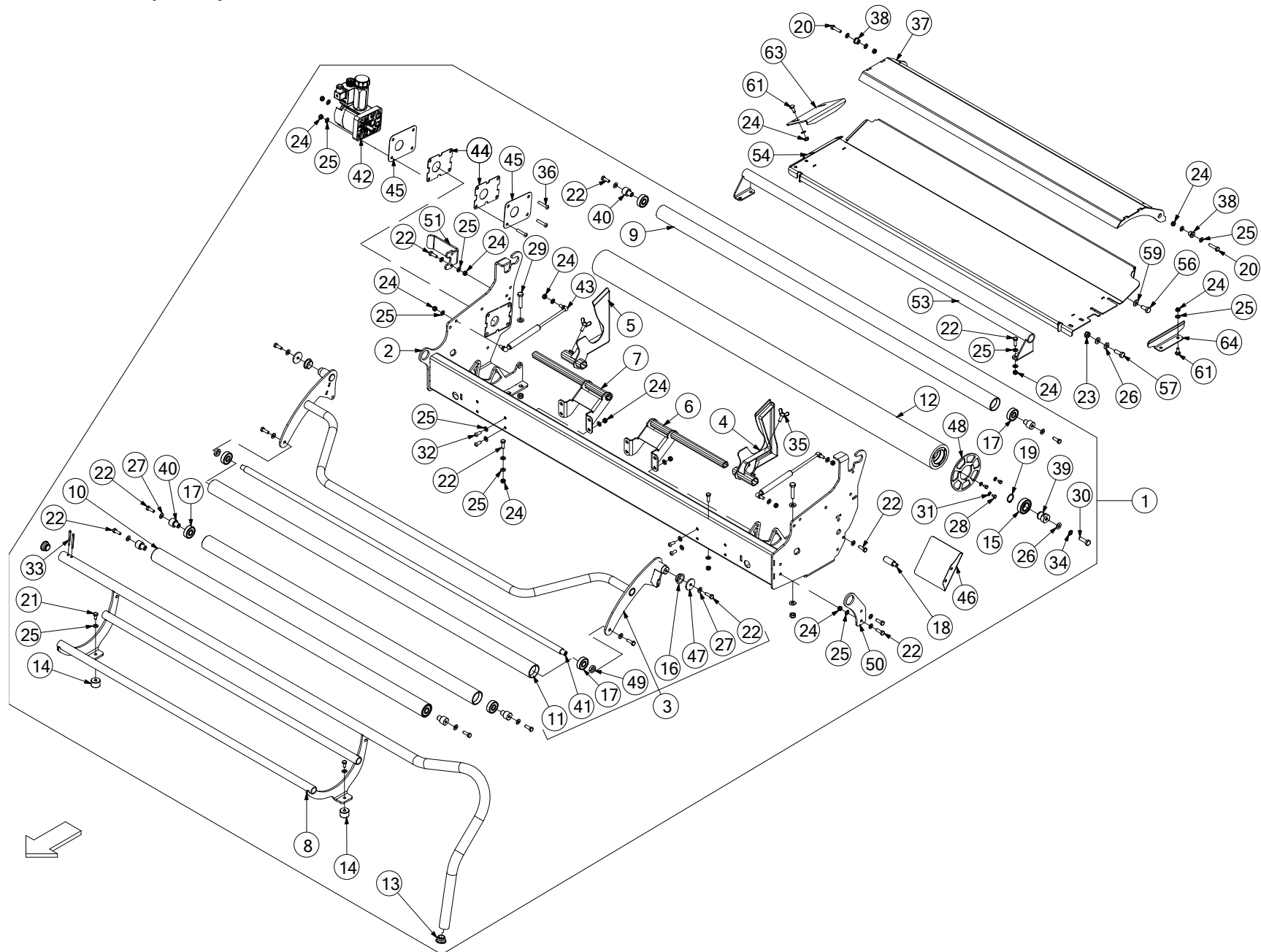
No.	Part No	Description	Qty
1	ABS00158	BRAKE CALIPER 345212030000L	1
2	ABS00192	BRAKE PAD SET NETTER BRAKE	1
3	ABS00207	CALIPER SLIDE MOUNT ABS00158	1
4	ANT00100	NET KNIFE PULL LINK (WITH HOLES)	1
5	CBE00265	RUBBER GAITOR CALIPER SLIDE MOUNT	2
6	CFA00024	SETSCREW M10X25 Z/P	1
7	CFA00102	SETSCREW M8X25 Z/P	2
8	CFA00123	NUT M10 NYLOC	2
9	CFA00131	NUT M6 NYLOC	1
10	CFA00132	NUT M8 NYLOC Z/P	3
11	CFA00144	WASHER FLAT 6MM Z/P	1
12	CFA00147	WASHER FLAT 8MM Z/P	5
13	CFA00154	KEY 8 X 7 X 25	1
14	CFA00251	WASHER SKM10	5
15	CFA00311	SETSCREW M10X35 Z/P	2
16	CFA00983	SETSCREW M5X10 BUTTON HEAD Z/P	6
17	CFA01015	E CLIP 7MM	2
18	CFA01016	E CLIP 4MM	2
19	CFA01020	SCREW M6X55 CSK CALLIPER ADJUSTER	1
20	CFA01257	SETSCREW M8X40 CSK HEX Z/P	1
21	CMH01556	PIN 5.85X33.25 NETTER BRAKE	2
22	CMH02607	BUSH 15 X 8.5 X 26 (ANT00044)	1
23	CMH03194	BUSH BRAKE DISC MOUNT	1
24	CSG00284	SPRING NETTER BRAKE	1
25	CZC04724	1.8MM NETTER BRAKE DISC	1
26	CZD00314	4MM L BRAKE ACTUATOR PLATE	1
27	CZD05602	4MM L WASHER 10.5X30X4	1
28	CZF00453	6MM L BRAKE CALIPER BRACKET	1

Film Gathering Unit (1456)



No.	Part No	Description	Qty
1	CVA00148	DOUBLE IN-LINE CHECK VALVE	1
2	ARC00250	ROLLER ASSY FILM GATHERING	2
<i>INCLUDES BEARINGS ITEM 4 & 25</i>			
3	ARC00263	ROLLER ASSY FILM STRETCH FUSION	2
<i>INCLUDES ITEMS 5, 8, 15, 17, 23 & 24</i>			
4	CBR00009	BEARING 6205 2RS	4
5	CBR00020	BEARING 6204 2RS	4
6	CEL00767	SENSOR M18 PROX M12 PLUG	1
7	CFA00024	SETSCREW M10X25 Z/P	6
8	CFA00052	SETSCREW M8X20 Z/P	22
9	CFA00102	SETSCREW M8X25 Z/P	2
10	CFA00115	SETSCREW M6X20 Z/P	3
11	CFA00131	NUT M6 NYLOC	3
12	CFA00132	NUT M8 NYLOC Z/P	20
13	CFA00144	WASHER FLAT 6MM Z/P	6
14	CFA00147	WASHER FLAT 8MM Z/P	20
15	CFA00249	WASHER SKM8	24
16	CFA00251	WASHER SKM10	6
17	CFA00339	CIRCLIP 20MM EXTERNAL	4
18	CFA00449	WASHER SKM14	4
19	CKN00011	KNIFE STANLEY BLADE CUT&HOLD	1
20	CMH00325	BUSH STEPPED 20X40X30 NYLON	2
21	CMH01153	PIN 30X85 MACHINED	2
22	CMH01249	CHROME BAR 20X1450	1
23	CMH01392	MACHINED TUBE FILM STRETCH	2
24	CMH01393	SHAFT 20X1507 THREADED	2
25	CMH01710	ROLLER FILM GATHERING UNIT	2
26	CRA00716	RAM FILM GATHERING	2
27	CZC03780	3MM BLADE GUARD FUSION 3 PLUS	1
28	CZC03587	3MM L FILM GATHERING UNIT PART	1
29	CZC02675	3MM SENSOR BRACKET FUSION 3 NRF	1
30	CZD02776	WASHER 10X35X4	2
31	CZD02924	4MM FILM GATHERING UNIT PART	2
32	CZD02922	4MM L FILM GATHERING UNIT PART	1
33	CZD02923	4MM L FILM GATHERING UNIT PART	1
34	CZD03021	4MM SUPPORT PLATE FILM GATHERING	1
35	CZF06237	6MM L ROLLER BRACKET FUSION 2	1
36	CZF06845	6MM L KNIFE BRACKET FUSION 3	1
38	CFA00108	BOLT M8X55 Z/P	2
39	CFA00210	SETSCREW M8X50 Z/P	3
40	CFA00374	HOSE CLAMP 14MM (2 PER SET)	3

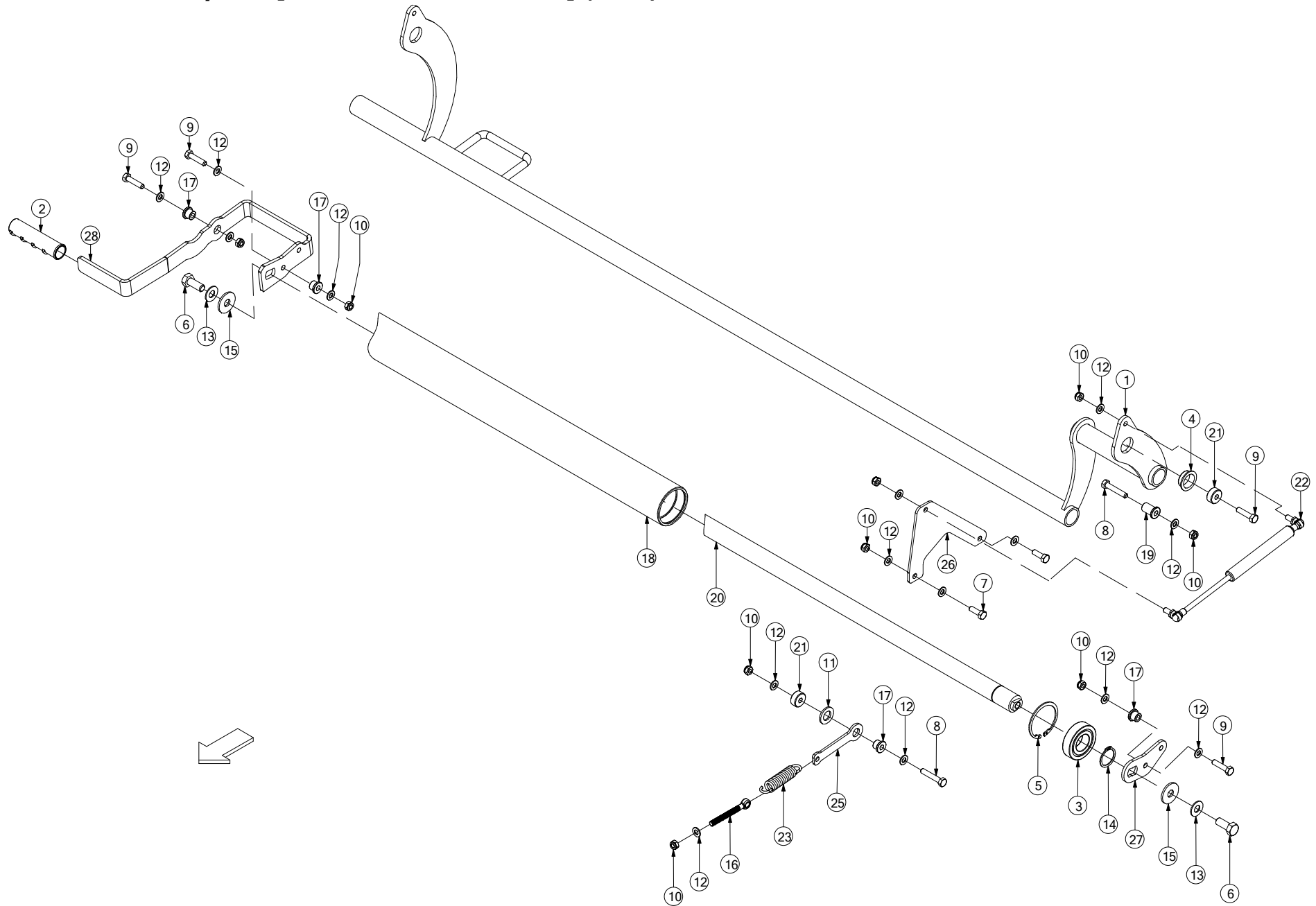
Film stretch unit (1488)



No.	Part No	Description	Qty
1	ADP00283	FILM STRETCH ASSY FUSION 3	1
2	ADP00284	FILM STRETCH UNIT WELD ASSY	1
3	ADP00285	ROLL BRAKE BAR ASSY FUSION 3	1
4	ADP00329	ROLL GUIDE WELD ASSEMBLY LH FUSION PLUS	1
5	ADP00330	ROLL GUIDE WELD ASSEMBLY RH FUSION PLUS	1
6	ADP00333	ROLL GUIDE HOLDER LH FUSION	1
7	ADP00334	ROLL GUIDE HOLDER RH FUSION	1
8	ALA00828	NET ROLL LOADING CRADLE ASSY	1
9	ARC00261	ROLLER IDLE FILM STRETCH	1
10	ARC00331	ROLLER IDLE FILM STRETCH	2
11	ARC00337	ROLLER IDLE FILM STRETCH	1
12	ARC00366	ROLLER RUBBER 1600 F3 PLUS	1
13	CBC00010	CAP PLASTIC INSERT 1"	2
14	CBE00036	BUFFER 30X20XM8 I SHORE 43	2
15	CBR00009	BEARING 6205 2RS	1
16	CBR00269	BEARING 25X28X11 STEPPED PLAS	2
17	CBR00283	BEARING 6302 2RS	8
18	CEL00767	SENSOR M18 E2A-M18KS08-M1-C1	1
19	CFA00001	CIRCLIP 25MM EXTERNAL Z/P	1
20	CFA00055	BOLT M8X35 Z/P	2
21	CFA00101	SETSCREW M8X16 Z/P	2
22	CFA00102	SETSCREW M8X25 Z/P	22
23	CFA00123	NUT M10 NYLOC	4
24	CFA00132	NUT M8 NYLOC Z/P	34
25	CFA00147	WASHER FLAT 8MM Z/P	58
26	CFA00201	WASHER FLAT 10 MM Z/P	9
27	CFA00249	WASHER SKM8	10
28	CFA00269	SETSCREW M6X10 Z/P	3
29	CFA00310	BOLT M10X50 Z/P	2
30	CFA00311	SETSCREW M10X35 Z/P	1
31	CFA00396	WASHER SPRING M6 Z/P	3
32	CFA00429	SETSCREW M8X20 BUTTON HEAD Z/P	8
33	CFA00556	SPLIT PIN 6X50 Z/P	2
34	CFA00798	WASHER M10 NORDLOC	1
35	CFA00921	WING NUT M8X20 Z/P DIN316	2
36	CFA00926	SETSCREW M8X40 BUTTON HD Z/P	4
37	CGD00263	NET COVER ASSY BARREL WRAP	1
38	CMH00742	BUSH 8X20X13 ZINC PLATED	2
39	CMH01211	PIN 50X40 STEPPED 20	1
40	CMH01385	BUSH 25X35 STEPPED 15	6
41	CMH01500	SHAFT 20X1530	1
42	CMT00479	PUMP 8.5CC STRETCHING TEST	1
42a	CVA00408	VALVE PROP RELIEF CTE SAE 10 NO	1
<i>INCLUDES COIL ITEM 42b</i>			
42b	CVA00397	COIL 12 PROPORTIONAL DIN	1
42c	CVA00454	FILLER CAP STRETCH PUMP TMDV-1	1
42d	CFA01081	KEY 4X4X25	1
43	CRA00762	GAS STRUT 8X18X95 500NM	2
44	CZB02366	1.5MM L SPACER PART PUMP	2

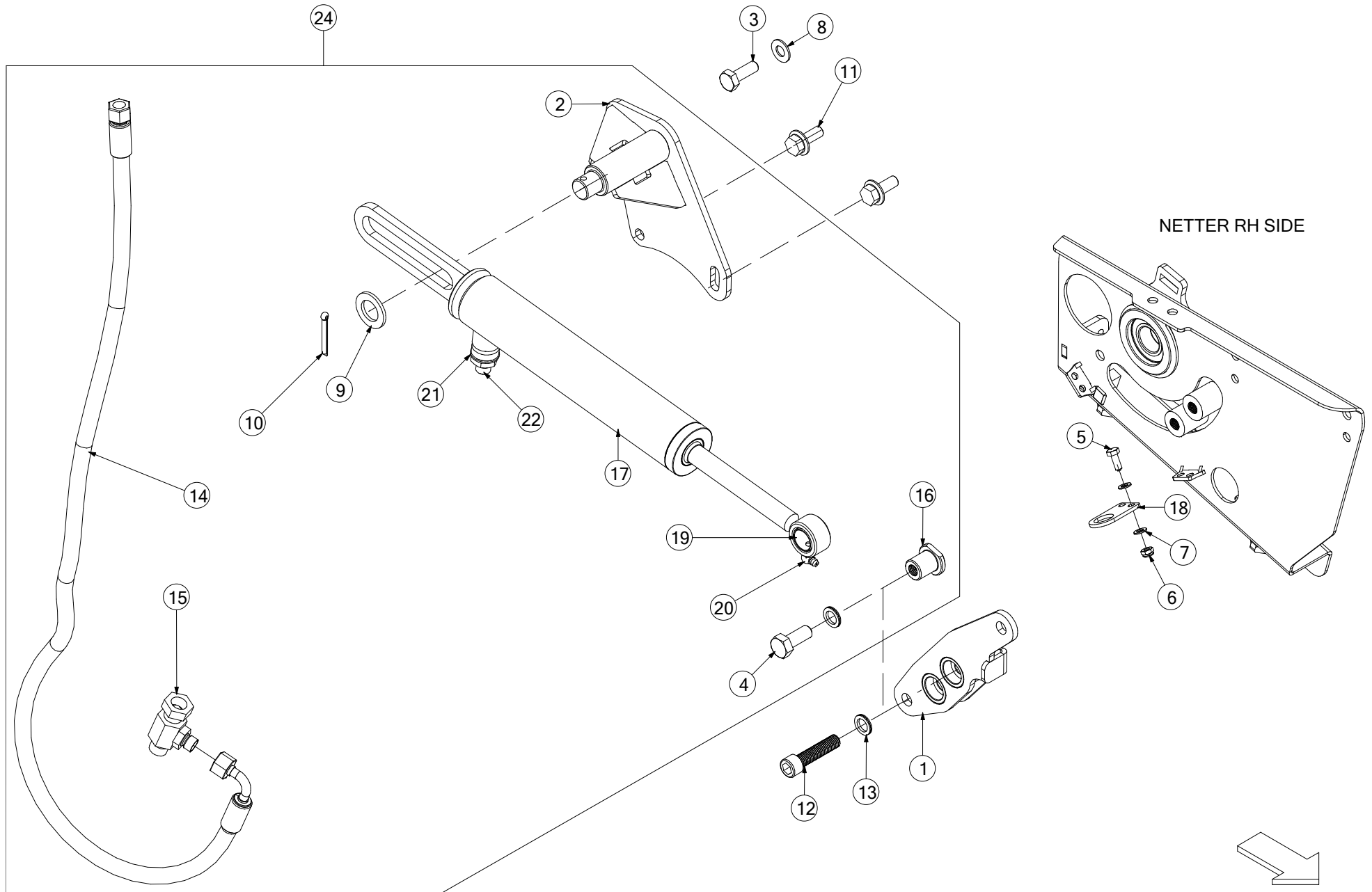
45	CZB02367	1.5MM L FLANGE PLATE PART PUMP	2
46	CZB02420	1.5MM CHAIN GUARD PART	1
47	CZD02718	WASHER 8X40	2
48	CZD02789	4MM L ENCODER DISK FILM STRETCH	1
49	CZF06109	6MM WASHER 15X25X6	2
50	CZF07790	6MM FILM LOADING CRADLE HINGE PART	1
51	CZF08429	6MM L STRETCHER BRACKET	1
53	ANT00202	NET ROLL STOP BAR FUSION 3 PLUS	1
54	ANT00203	NET BOX BASE FUSION 3 PLUS	1
56	CFA00024	SETSCREW M10X25 Z/P	2
57	CFA00025	SETSCREW M10X30 Z/P	2
59	CFA00251	WASHER SKM10	2
61	CFA00506	SETSCREW M8X20 CUPHEAD SQ ZP	4
63	CZC05289	3MM L NET ROLL END GUIDE RH	1
64	CZC05341	3MM L NET ROLL END GUIDE LH	1

Net box feed kit option [From Serial No 664027] (1127)



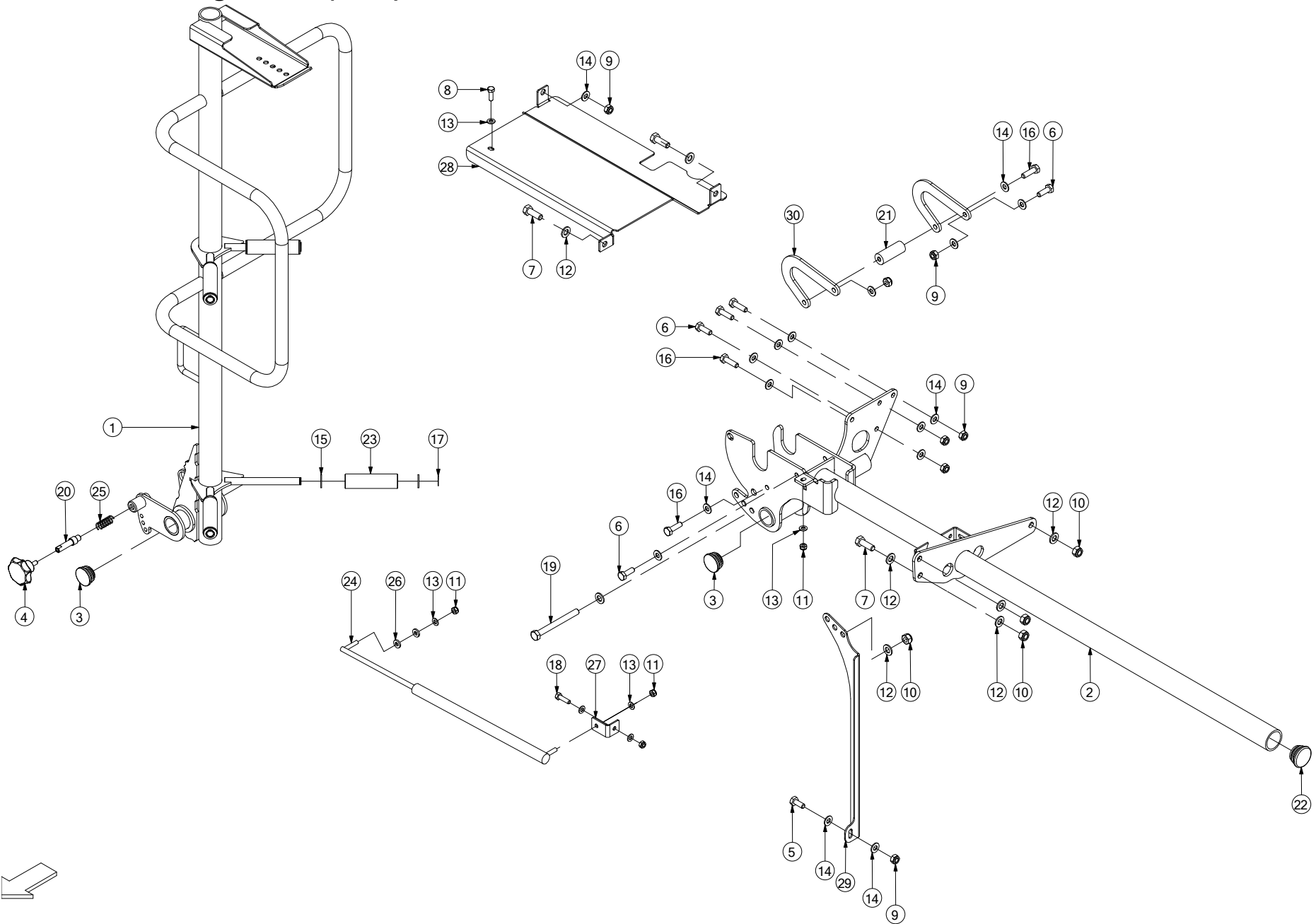
No.	Part No	Description	Qty
0	ANT00198	NET BOX FEED KIT FUSION 3 PLUS <i>COMPLETE NET BOX FEED KIT ASSEMBLY.</i>	1
1	ANT00163	NET BRAKE BAR FUSION PLUS	1
2	CBC00012	CAP PLASTIC HANDGRIP 7/8"	1
3	CBR00024	BEARING 62062RS	2
4	CBR00269	BEARING 25X28X11 STEPPED PLAS	2
5	CFA00002	62MM INTERNAL CIRCLIP DIN 472	2
6	CFA00032	SETSCREW M12X30 Z/P	2
7	CFA00102	SETSCREW M8X25 Z/P	4
8	CFA00106	BOLT M8X45 Z/P	3
9	CFA00107	BOLT SETSCREW M8X35 Z/P	5
10	CFA00132	NUT M8 NYLOC Z/P	16
11	CFA00140	WASHER FLAT 16MM Z/P	2
12	CFA00147	WASHER FLAT 8MM Z/P	25
13	CFA00250	WASHER SKM12	2
14	CFA00402	CIRCLIP 30MM EXTERNAL	2
15	CFA00718	WASHER FLAT 12MM DIN 9021 Z/P	2
16	CFA00887	EYE BOLT M8X80	2
17	CMH00742	BUSH 8X20X13 ZINC PLATED	5
18	CMH01251	ROLLER NET UNIT 70X61X1260	1
19	CMH02607	BUSH 15 X 8.5 X 26 (ANT00044)	1
20	CMH02802	SHAFT 30X1341.6 NET FEED	1
21	CMH02817	BUSH 25X8.2X11	4
22	CRA00806	GAS STRUT 100/285 300N	2
23	CSG00231	SPRING EXT 3.66X20X80X15 B/C	2
24	CST00892	NET THREADING DECAL <i>NOT SHOWN</i>	2
25	CZD05055	4MM L NETTER LINK BAR	2
26	CZD05266	4MM L GAS STRUT BRACKET	2
27	CZE04351	5MM L NET ROLLER PLATE	1
28	CZF07994	6MM L NET ROLLER PLATE HANDLE	1

Net knife hyd reset (1461)



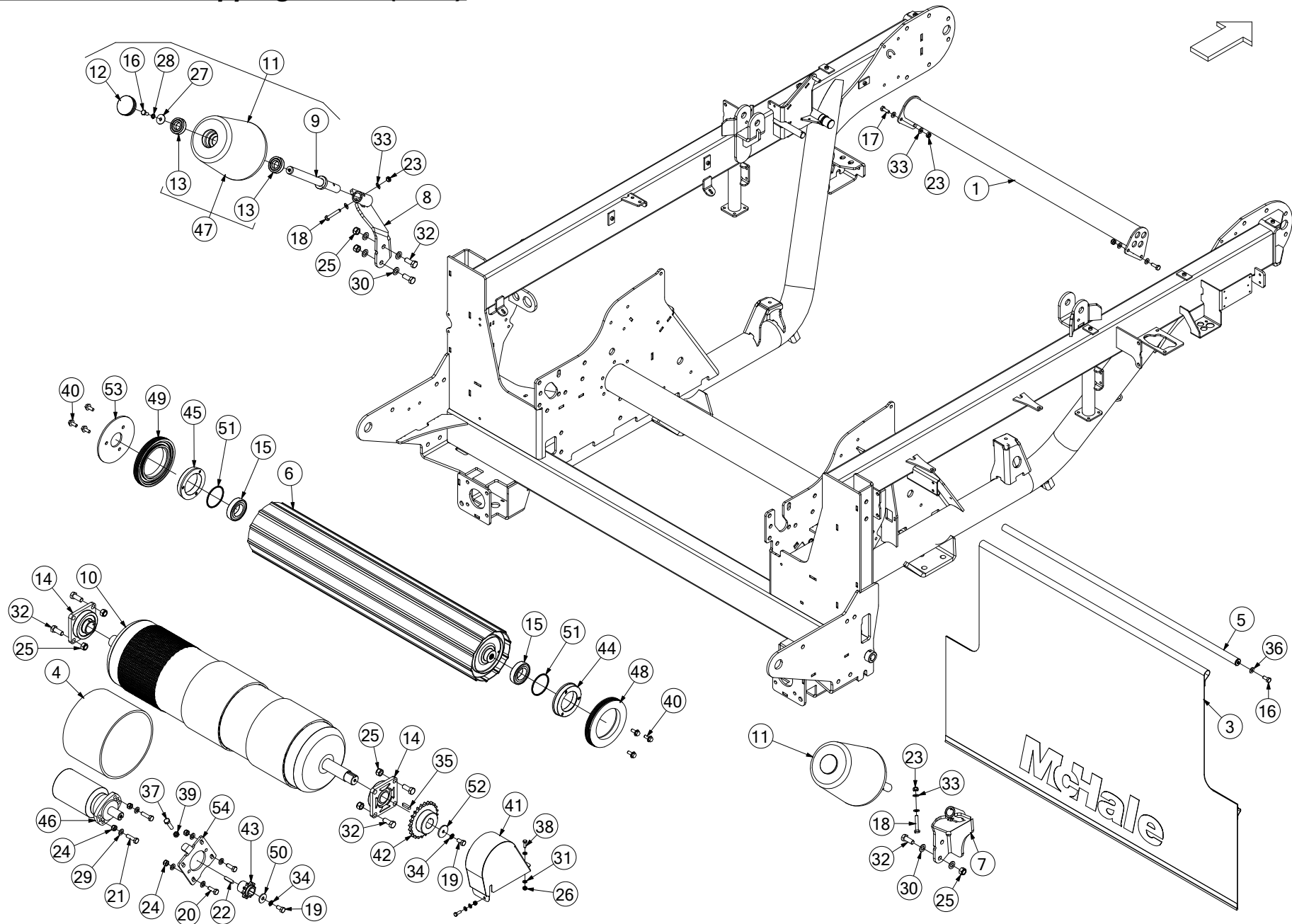
No.	Part No	Description	Qty
1	ACH01709	HYD NET KNIFE RESET ARM 659432	1
2	ACH01710	RAM BRACKET NET KNIFE RESET	1
3	CFA00025	SETSCREW M10X30	1
4	CFA00032	SETSCREW M12X30 Z/P	1
5	CFA00045	SETSCREW M6X16	2
6	CFA00131	NUT M6 NYLOC	2
7	CFA00144	WASHER FLAT 6MM Z/P	4
8	CFA00251	WASHER SKM10	1
9	CFA00413	WASHER FLAT 20MM Z/P	1
10	CFA00475	SPLIT PIN 5X40 Z/P	1
11	CFA00520	SETSCREW M10X25 FLD ZP	2
12	CFA00557	BOLT M12X50 SOC CAP ZP	2
13	CFA00799	WASHER M12 NORDLOC	3
14	CHY00357	1/4" HOSE ST/90	1
15	CHY02086	T PIECE 1/4" F-M-M	1
16	CMH01880	BUSH 12.5X20X27 STEPPED Z/P	1
17	CRA00836	RAM NET KNIFE RESET OPTION F3PLUS	1
18	CZC04877	3MM PROXIMITY SENSOR BOLT ON BRKT	1
19	CBR00096	BEARING GLACIER PM 2020 DX	1
20	CFA01113	GREASE NIPPLE 1/8 BSP 90 DEG	1
21	CHY00937	WASHER DOWTY M18	1
22	CHY01055	ADAPTOR M18MX1/4M	1
22a	CVA00625	FLOATING RESTRICTOR 1.0 MM	1
23	CFA00822	P CLIP 15/20 RUBBER LINED CLAMP	1
<i>NOT SHOWN</i>			
24	ALA00929	NET KNIFE HYDRAULIC RESET KIT	1
<i>INCLUDES ALL ITEMS OUTLINED</i>			

Net-NRF roll loading device (1130)



No.	Part No	Description	Qty
0	ALA01041	NET-NRF ROLL LOADING DEVICE	1
<i>COMPLETE ASSEMBLY FOR ALL FUSION 3 MACHINES</i>			
1	ALA01011	NRF ROLL LIFT ARM WELD ASSEMBLY	1
2	ALA01082	NRF ROLL LIFT BASE WELD	1
3	CBC00005	CAP PLASTC INSERT ROUND 42.4MM	3
4	CBC00178	HAND WHEEL KNOB M8 MALE	1
5	CFA00024	SETSCREW M10X25 Z/P	1
6	CFA00025	SETSCREW M10X30	3
7	CFA00033	SETSCREW M12X35 Z/P	3
8	CFA00102	SETSCREW M8X25 Z/P	1
9	CFA00123	NUT M10 NYLOC	7
10	CFA00124	NUT M12 NYLOC	4
11	CFA00132	NUT M8 NYLOC Z/P	7
12	CFA00138	WASHER FLAT 12MM Z/P	8
13	CFA00147	WASHER FLAT 8MM Z/P	10
14	CFA00201	WASHER FLAT 10 MM Z/P	16
15	CFA00222	WASHER FLAT 14MM Z/P	8
16	CFA00311	SETSCREW M10X35 Z/P	5
17	CFA00463	CIRCLIP 15MM EXTERNAL Z/P DIN 471	4
18	CFA00491	SETSCREW M8X30 Z/P	2
19	CFA00517	BOLT M12X120 Z/P	1
20	CMH02924	INDEX PIN 16X65	1
21	CMH02932	BUSH 25X65 THREADED M10 Z/P	1
22	CPL00086	BLANKING CAP 40MM ID	1
23	CPL00262	BUSH PLASTIC 16X30X110	4
24	CRA00903	GAS SPRING 590-185-950N	2
25	CSG00010	SPRING COMP 1.625X16X40X8	1
26	CZC02523	3MM 18X8X3 SPACER	4
27	CZC05538	3MM L GAS SPRING TENSION BRACKET	2
28	CZC05544	3MM L COVER PLATE NRF ROLL LIFTER	1
29	CZC05545	3MM L SUPPORT STRUT NRF LIFTER DEVICE	1
30	CZF08679	6MM L PLATE HINGE LOCK PLATE NRF LOADER	2

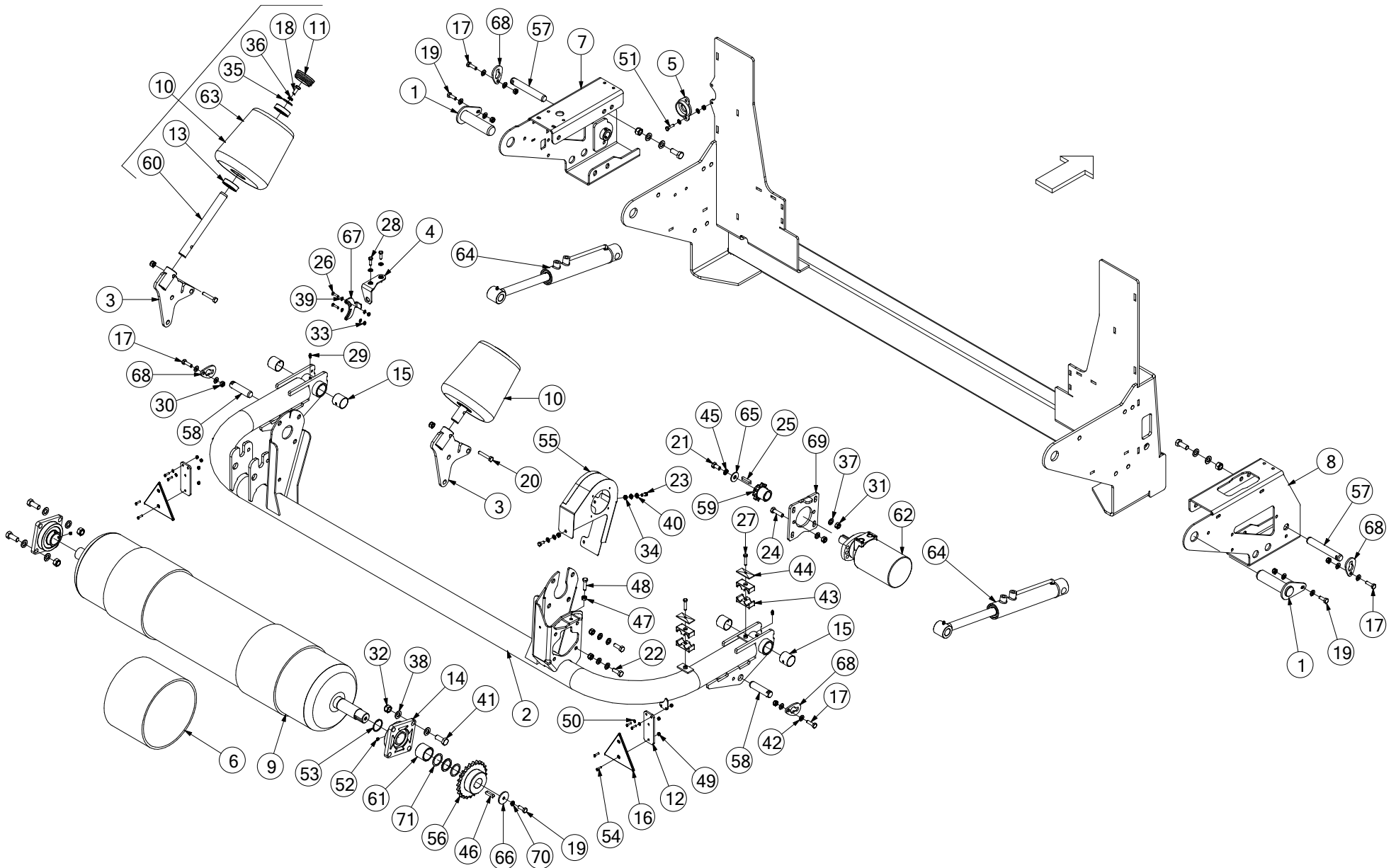
Transfer & front wrapping rollers (1000)



No.	Part No	Description	Qty
1	ACH00994	TRANSFER BEAM FUSION <i>USED ONLY WHERE TRANSFER ROLLER (ITEM 6) IS NOT FITTED</i>	1
3	AGD00065	DUST SHEET FUSION 3 CHASSIS <i>OPTIONAL FOR USE IN DRY DUSTY ENVIRONMENTS</i>	1
4	ALA00129	BELT KIT FOR FUSION <i>BELT REPAIR KIT FOR ITEM 10</i>	3
5	ALA00836	DUST SHEET HANGER FUSION 3 <i>OPTIONAL FOR USE IN DRY DUSTY ENVIRONMENTS</i>	1
6	ARC00054	ROLLER BALE TRANSFER BALER	1
7	ARC00521	BOBBIN BRACKET RH FRONT FUS <i>REPLACES ARC00127 (ALSO ORDER 1x BOBBIN AXLE (CMH01183) FOR MACHINES PRIOR TO SERIAL No 668726)</i>	1
8	ARC00522	BOBBIN BRACKET LH FRONT FUS <i>REPLACES ARC00128 (ALSO ORDER 1x BOBBIN AXLE (CMH01183) FOR MACHINES PRIOR TO SERIAL No 668726)</i>	1
9	ART00005	BOBBIN AXLE SHAFT <i>USED UP TO SERIAL No 668725</i>	2
9	CMH01183	PIN 30X280 BOBBIN AXLE <i>USED FROM SERIAL No 668726</i>	2
10	ART00317	FRONT FUSION ROLLER + BELTS COMPLETE	1
11	ART00350	BOBBIN ASSY FUSION 2 <i>USED UP TO SERIAL No 668725 (INCLUDES ITEMS 9, 12, 13, 16, 27, 28 & 47)</i>	2
11	ART00362	BOBBIN ASY BIG 30MM COMPLETE <i>USED FROM SERIAL No 668726 (INCLUDES ITEMS 9, 12, 13, 16, 27, 28 & 47)</i>	2
12	CBC00008	CAP PLASTIC INSERT 75MM	2
13	CBR00024	BEARING 62062RS	4
14	CBR00046	BEARING FLANGE UNIT SF 1 3/4	2
15	CBR00083	BEARING 1726210-2RS RADIAL	2
16	CFA00024	SETSCREW M10X25 Z/P	3
17	CFA00025	SETSCREW M10X30	4
18	CFA00026	BOLT M10X60	2
19	CFA00031	SETSCREW M12X25 Z/P	2
20	CFA00033	SETSCREW M12X35 Z/P	4
21	CFA00065	SETSCREW M12X45 Z/P	2
22	CFA00081	KEY 10X8X45	1
23	CFA00123	NUT M10 NYLOC	6
24	CFA00124	NUT M12 NYLOC	6
25	CFA00128	NUT M16 NYLOC	12
26	CFA00132	NUT M8 NYLOC Z/P	2
27	CFA00134	WASHER MUDWING M10X38MM OD	2
28	CFA00137	WASHER SPRING 10MM HD Z/P	2
29	CFA00138	WASHER FLAT 12MM Z/P	10
30	CFA00140	WASHER FLAT 16MM Z/P	8
31	CFA00147	WASHER FLAT 8MM Z/P	4
32	CFA00151	SETSCREW M16X40 Z/P	12
33	CFA00201	WASHER FLAT 10 MM Z/P	12
34	CFA00207	WASHER SPRING 12MM HD ZP	2
35	CFA00239	KEY 10X8X40	1
36	CFA00251	WASHER SKM10	1
37	CFA00270	SETSCREW M12X50 Z/P	1
38	CFA00407	BOLT M8X25 Z/P	2
39	CFA00446	NUT M12 HEXAGON LOCK/HALF NUT	1
40	CFA00520	SETSCREW M10X25 FLD ZP	6

41	CGD00104	GUARD WRAPPER DRIVE CHAIN	1
42	CMH00396	SPROCKET 3/4 PITCH 24T 40 DIA	1
43	CMH00749	SPROCKET 3/4 PITCH 10T 32 DIA	1
44	CMH00977	FLANGE 90X135X24 3 HOLE <i>USED UP TO SERIAL No 665062 - CAN BE REPLACED BY ARC00446 (METAL SEAL) IN THIS LOCATION ONLY</i>	1
45	CMH01187	FLANGE 90X130X24 3 HOLE <i>USED UP TO SERIAL No 665062 - CAN BE REPLACED BY ARC00446 (METAL SEAL) IN THIS LOCATION ONLY</i>	1
46	CMT00064	MOTOR 625CC SIDE PORT 32SHAFT <i>USE SEAL KIT CSE00110 FOR THIS MOTOR</i>	1
47	CPL00008	BOBBIN ASSEMBLY <i>INCLUDES BEARINGS</i>	2
48	CPL00052	NYLON SEAL ROLLER DRIVE SIDE <i>USED UP TO SERIAL No 665062 - CAN BE REPLACED BY ARC00446 (METAL SEAL) IN THIS LOCATION ONLY</i>	1
48	ARC00446	SPUN ROLLER SEAL MOVING ROLLER <i>METAL SEAL - CAN BE USED TO REPLACE CPL00052 (NYLON SEAL) & CMH00977 (ITEM 44) IN THIS LOCATION ONLY</i>	1
49	CPL00053	NYLON SEAL ROLLER NON DRIVE SIDE <i>USED UP TO SERIAL No 665062 - CAN BE REPLACED BY ARC00446 (METAL SEAL) IN THIS LOCATION ONLY</i>	1
49	ARC00446	SPUN ROLLER SEAL MOVING ROLLER <i>METAL SEAL - CAN BE USED TO REPLACE CPL00053 (NYLON SEAL) & CMH00977 (ITEM 45) IN THIS LOCATION ONLY</i>	1
50	CZC02058	3MM L WASHER 38 X 12.5 X 3	1
51	CZC02063	3MM L BEARING RETAINER RING	2
52	CZD00121	4MM L CUT & TIE SPACER Z/P	1
53	CZF04758	3MM L ROLLER SPACER	1
54	CZG02687	8MM L MOTOR PLATE PART <i>REPLACES CZG02077</i>	1

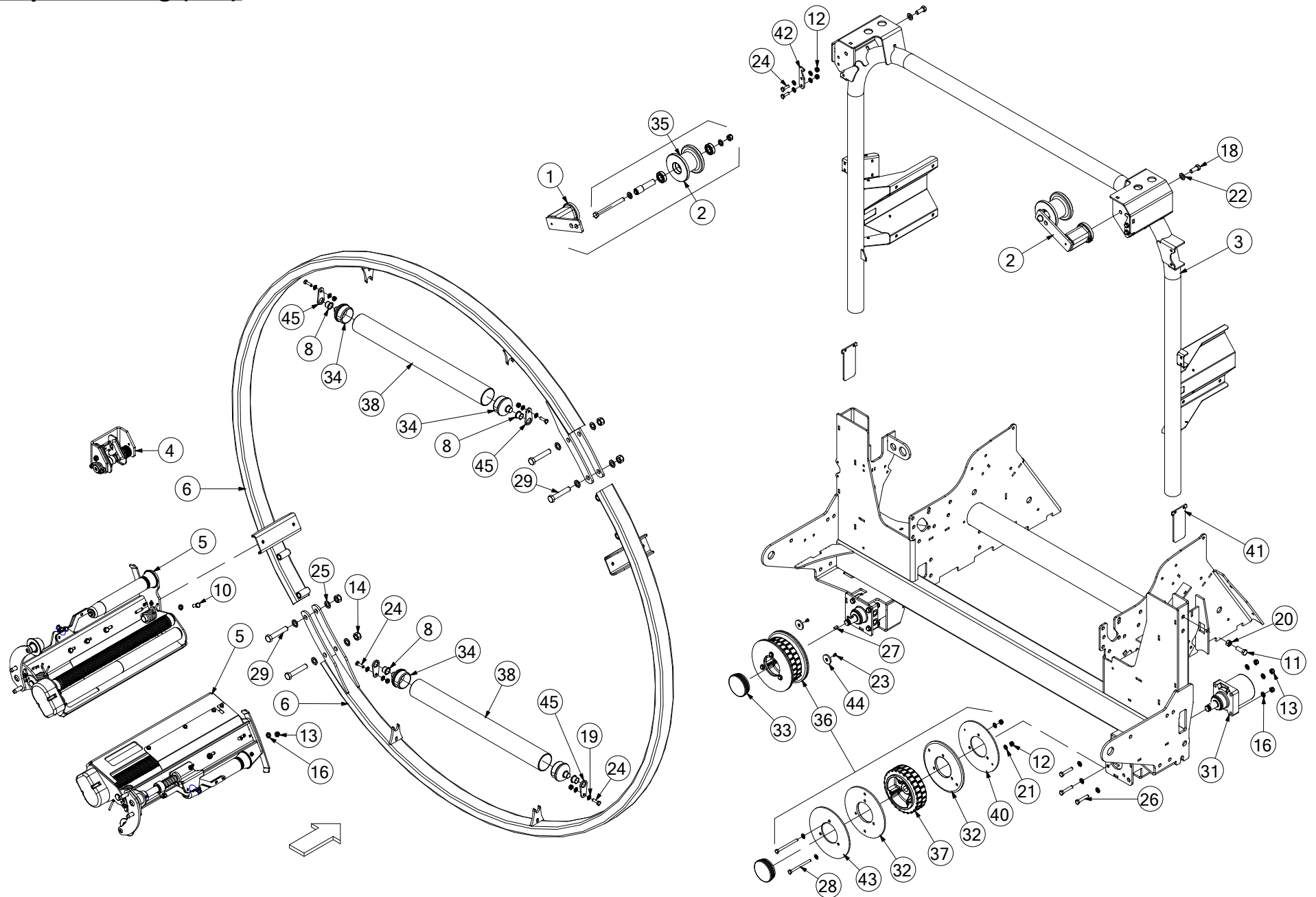
Rear wrapping cradle (954)



No.	Part No	Description	Qty
1	ACH00396	40MM PIN ASSY WRAPPER CRADLE	2
2	ACH00416	WRAPPER REAR FRAME WELD ASSY	1
3	ACH01348	BOBBIN BRACKET WELD ASSY LEFT	1
3	ACH01349	BOBBIN BRACKET WELD ASSY RIGHT	1
4	ACH01441	BALE CRADLE SENSOR BRACKET	1
5	ACH02821	RING SENSOR BRACKET FUSION 3 CT	1
6	ALA00129	BELT KIT FOR FUSION	3
7	ARC00298	CRADLE SUPPORT LH WELD ASM FUS3	1
8	ARC00299	CRADLE SUPPORT RH WELD ASM FUS3	1
9	ART00102	FUSION ROLLER COMPLETE W/BELTS	1
10	ART00363	BOBBIN ASY SMALL 30MM COMPLETE	2
11	CBC00008	CAP PLASTIC INSERT 75MM	2
12	CZC05620	3MM L TRIANGLE REFLECTOR BRACKET	2
<i>REPLACES RUBBER STRIP HANGER CBE00255</i>			
13	CBR00024	BEARING 62062RS	4
14	CBR00046	BEARING FLANGE UNIT SF 1 3/4"	2
15	CBR00082	BEARING GLACIER 4040 SY	4
16	CEL00077	REFLECTOR REAR TRIANGULAR RED	2
17	CFA00016	BOLT M10X35	4
18	CFA00024	SETSCREW M10X25 Z/P	2
19	CFA00025	SETSCREW M10X30	3
20	CFA00027	BOLT M10X60 Z/P	2
21	CFA00032	SETSCREW M12X30 Z/P	1
22	CFA00033	SETSCREW M12X35 Z/P	4
23	CFA00052	SETSCREW M8X20 Z/P	3
24	CFA00065	SETSCREW M12X45 Z/P	2
25	CFA00081	KEY 10X8X45	1
26	CFA00098	SETSCREW M6X25 Z/P	2
27	CFA00100	BOLT M8X40 Z/P	2
28	CFA00102	SETSCREW M8X25 Z/P	2
29	CFA00118	GREASE NIPPLE M8X1.25 STRAIGHT	2
30	CFA00123	NUT M10 NYLOC	6
31	CFA00124	NUT M12 NYLOC	8
32	CFA00128	NUT M16 NYLOC	17
33	CFA00131	NUT M6 NYLOC	2
34	CFA00132	NUT M8 NYLOC Z/P	5
35	CFA00134	WASHER MUDWING M10X38MM OD	2
36	CFA00137	WASHER SPRING 10MM HD Z/P	2
37	CFA00138	WASHER FLAT 12MM Z/P	10
38	CFA00140	WASHER FLAT 16MM Z/P	34
39	CFA00144	WASHER FLAT 6MM Z/P	4
40	CFA00147	WASHER FLAT 8MM Z/P	12
41	CFA00151	SETSCREW M16X40 Z/P	17
42	CFA00201	WASHER FLAT 10 MM Z/P	12
43	CFA00203	20MM HOSE CLAMP	4
44	CFA00204	HOSE CLAMP COVER PLATE 20-25	2
45	CFA00207	WASHER SPRING 12MM HD ZP	1
46	CFA00239	KEY 10X8X40	1
47	CFA00256	NUT M10 Z/P	1

48	CFA00312	SETSCREW M10X40 Z/P	1
49	CFA00321	NUT M5 NYLOC	8
50	CFA00337	WASHER FLAT 5MM Z/P	4
51	CFA00491	SETSCREW M8X30 Z/P	2
52	CFA00613	GRUBSCREW M8X6	4
53	CFA00803	CIRCLIP 45 MM EXTERNAL	1
54	CFA02316	SETSCREW M5X20 PAN HEAD Z/P	8
55	CGD00038	GUARD REAR ROLLER CRADLE	1
56	CMH00396	SPROCKET 3/4" PITCH 24T 40 DIA	1
57	CMH00403	PIN 25X170 Z/P MILLED FOR CAP	2
58	CMH00422	PIN 25 X 100 MILLED FOR CAP Z/P	2
59	CMH00749	SPROCKET 3/4" PITCH 10T 32 DIA	1
60	CMH01183	PIN 30X280 BOBBIN AXLE	2
61	CMH01201	BUSH 45X55X41	1
62	CMT00064	MOTOR 625CC SIDE PORT 32SHAFT	1
<i>USE SEAL KIT CSE00110 FOR THIS MOTOR</i>			
63	CPL00038	BOBBIN ASY SMALL 30MM BEARING	2
<i>INCLUDES BEARINGS ITEM 13</i>			
64	CRA00558	RAM 50X30 ROLLER CRADLE FUSION	2
65	CZC02058	3MM L WASHER 38 X 12.5 X 3	1
66	CZD00121	4MM L CUT & TIE SPACER Z/P	1
67	CZD04969	4MM L SENSOR PLATE PART	1
68	CZF00293	6MM L CAP SHORT FOR 25MM PINS	4
69	CZG02687	8MM L MOTOR PLATE PART	1
70	CFA00251	WASHER SKM10	1
71	CFA00265	SHIM 40X50X1.0 DIN 988	4

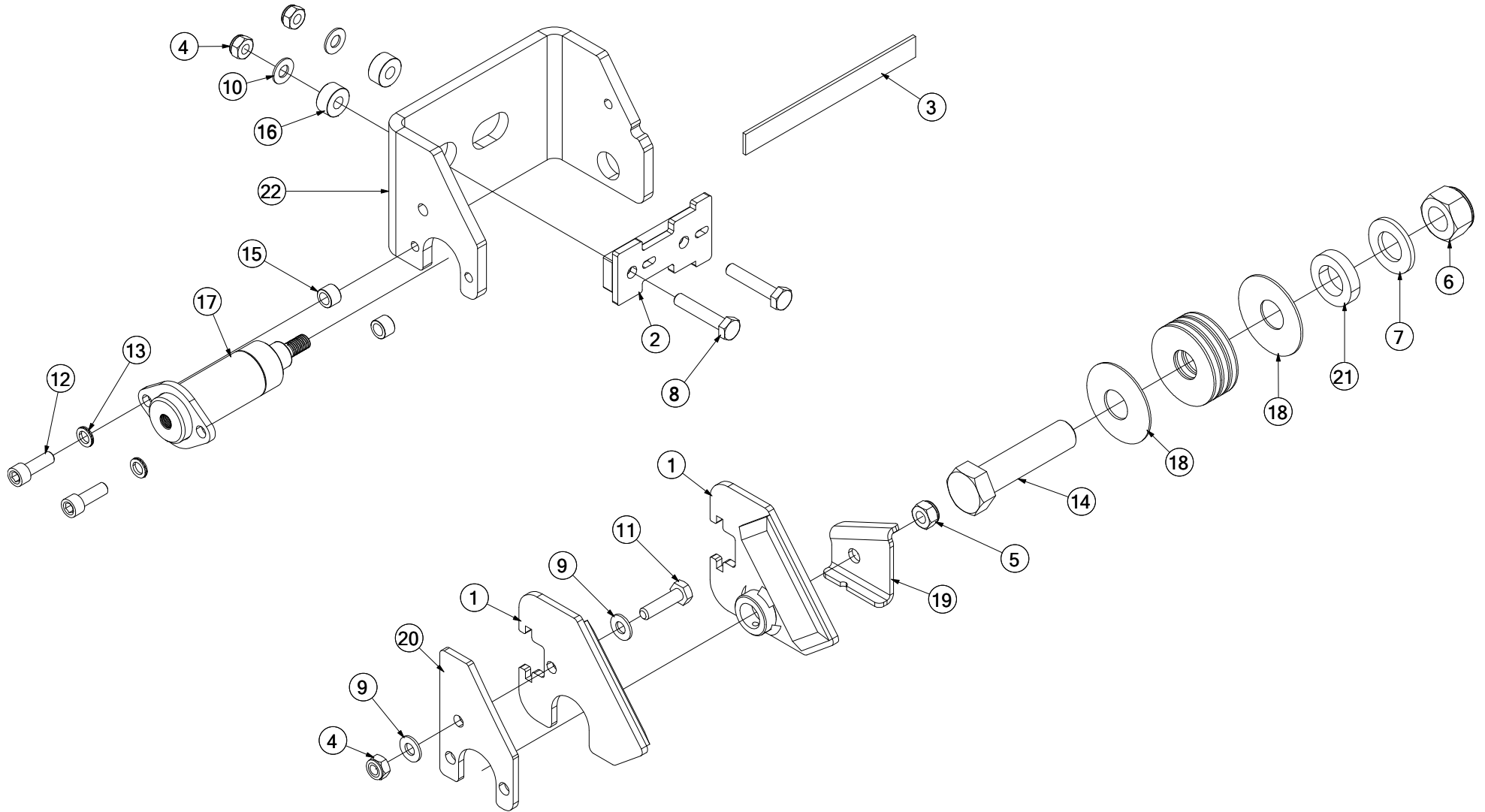
Dispenser ring (980)



No.	Part No	Description	Qty
1	ACH00363	SUSPENSION UNIT ASSY	2
2	ACH00364	SUSPENSION UNIT DISPENSER RING	2
<i>COMPLETE ASSEMBLY (INCLUDES ITEMS 1 & 35)</i>			
3	ACH00701	DISPENSER ARCH FUSION 3 CT	1
<i>USED ON FUSION 3 SERIES ONLY</i>			
4	ACH01411	BRAKE CALIPER SHORT PADS ASSEMBLY	1
<i>COMPLETE ASSEMBLY - USED UP TO SERIAL No 662852 (FUSION 3) & SERIAL No 900343 (VARIO)</i>			
4	ACH03011	BRAKE UNIT EXTD LARGE SPRINGS	1
<i>COMPLETE ASSEMBLY - USED FROM SERIAL No 662853 (FUSION 3) & SERIAL No 900344 (VARIO)</i>			
5	ADP00079	DISPENSER COMPLETE ASSY FUSION 3	2
<i>USED ON FUSION 3 SERIES (SHOWN)</i>			
5	ADP00281	DISPENSER COMPLETE FUSION VARIO	2
<i>USED ON FUSION VARIO ONLY</i>			
6	ADP00060	KIT DISPENSER RING	1
<i>COMPLETE RING ASSEMBLY INCLUDING FASTENERS, ROLLERS, ETC (ITEMS 8, 14, 19, 24, 25, 29, 34, 38 & 45)</i>			
8	CBR00329	BEARING 25X28X21 STEPPED PLASTIC	4
10	CFA00032	SETSCREW M12X30 Z/P	2
11	CFA00382	BOLT M16X45 Z/P	4
<i>REPLACES SETSCREW CFA00074</i>			
12	CFA00123	NUT M10 NYLOC	14
13	CFA00124	NUT M12 NYLOC	10
14	CFA00129	NUT M20 NYLOC	4
16	CFA00138	WASHER FLAT 12MM Z/P	20
18	CFA00151	SETSCREW M16X40 Z/P	2
19	CFA00201	WASHER FLAT 10 MM Z/P	16
20	CFA00231	NUT M16 Z/P	4
21	CFA00251	WASHER SKM10	12
22	CFA00252	WASHER SKM16	2
23	CFA01091	SCREW M6X16 CSK Z/P	2
<i>REPLACES CFA00044 (M6X12 SETSCREW)</i>			
24	CFA00311	SETSCREW M10X35 Z/P	8
25	CFA00413	WASHER FLAT 20MM Z/P	8
26	CFA00579	BOLT M12X65 Z/P	8
27	CFA00611	KEY RING MOTOR FUSION	2
28	CFA00793	BOLT M10X130 Z/P	6
29	CFA02331	BOLT M20X110 8.8 Z/P	4
31	CMT00056	MOTOR 80CC WHEEL TAPER SHAFT	2
<i>USE SEAL KIT CSE00110 FOR THIS MOTOR</i>			
31a	CSE00110	SEAL KIT TG+TF PARKER HYD MTR	2
32	CPL00049	PLASTIC WHEEL WEAR PLATE 260	4
<i>USED ON FUSION 3 SERIES UP TO SERIAL No 664855 & ON FUSION VARIO UP TO SERIAL No 900600</i>			
32	CPL00248	PLASTIC WHEEL WEAR PLATE 280	4
<i>USED ON FUSION 3 SERIES FROM SERIAL No 664856 & ON FUSION VARIO FROM SERIAL No 900601</i>			
33	CPL00106	BLANKING CAP 110MM BLACK	2
34	CTP00354	ROLLER END RING FUSION 2	4
35	CWH00303	TOP GUIDE WHEEL DISPENSER RING	2
<i>INCLUDES SHAFT, BEARINGS & FASTENERS</i>			
36	CWH00255	DISPENSER DRIVE WHEEL 260 COMPLETE ASM	2
<i>USED ON FUSION 3 SERIES UP TO SERIAL No 664855 & ON FUSION VARIO UP TO SERIAL No 900600</i>			
36	CWH00284	DISPENSER DRIVE WHEEL FUSION 280 ASM	2
<i>USED ON FUSION 3 SERIES FROM SERIAL No 664856 & ON FUSION VARIO FROM SERIAL No 900601</i>			
37	CWH00276	WHEEL + TYRE DISP DRIVE CB63	2

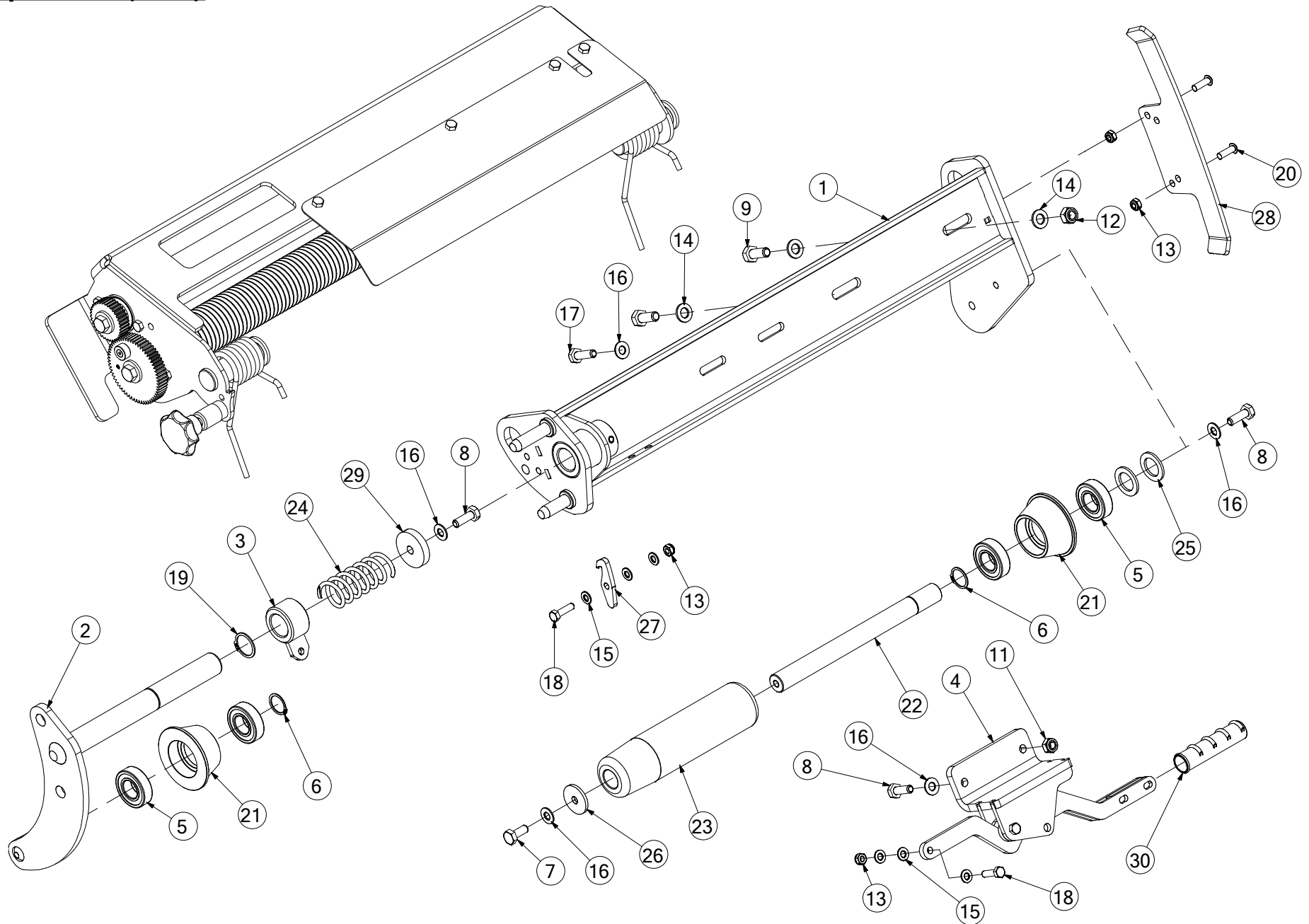
<i>REPLACES CWH00254</i>			
38	CXT00302	TUBE 88.9 X 4 X 845	2
40	CZF02725	6MM L WHEEL SIDE PLATE 260 DIA	2
<i>USED ON FUSION 3 SERIES UP TO SERIAL No 664855 & ON FUSION VARIO UP TO SERIAL No 900600</i>			
40	CZF08310	6MM L WHEEL SIDE PLATE 280 DIA	2
<i>USED ON FUSION 3 SERIES FROM SERIAL No 664856 & ON FUSION VARIO FROM SERIAL No 900601</i>			
41	CZF04516	6MM L CHASSIS PART FUSION	2
42	CZF06031	6MM L PLATE	2
43	CZF02725	6MM L WHEEL SIDE PLATE 260 DIA	2
<i>USED ON FUSION 3 SERIES UP TO SERIAL No 664855 & ON FUSION VARIO UP TO SERIAL No 900600</i>			
43	CZF08311	6MM L WHEEL SIDE PLATE 280 DIA	2
<i>USED ON FUSION 3 SERIES FROM SERIAL No 664856 & ON FUSION VARIO FROM SERIAL No 900601</i>			
44	CZG04729	8MM L WASHER SENSOR 8X47	2
<i>USED ON FUSION 3 SERIES UP TO SERIAL No 665173 & ON FUSION VARIO UP TO SERIAL No 900649</i>			
45	CZF07502	6MM L PLATE DISPENSER RING	4

Dispenser ring brake (981)



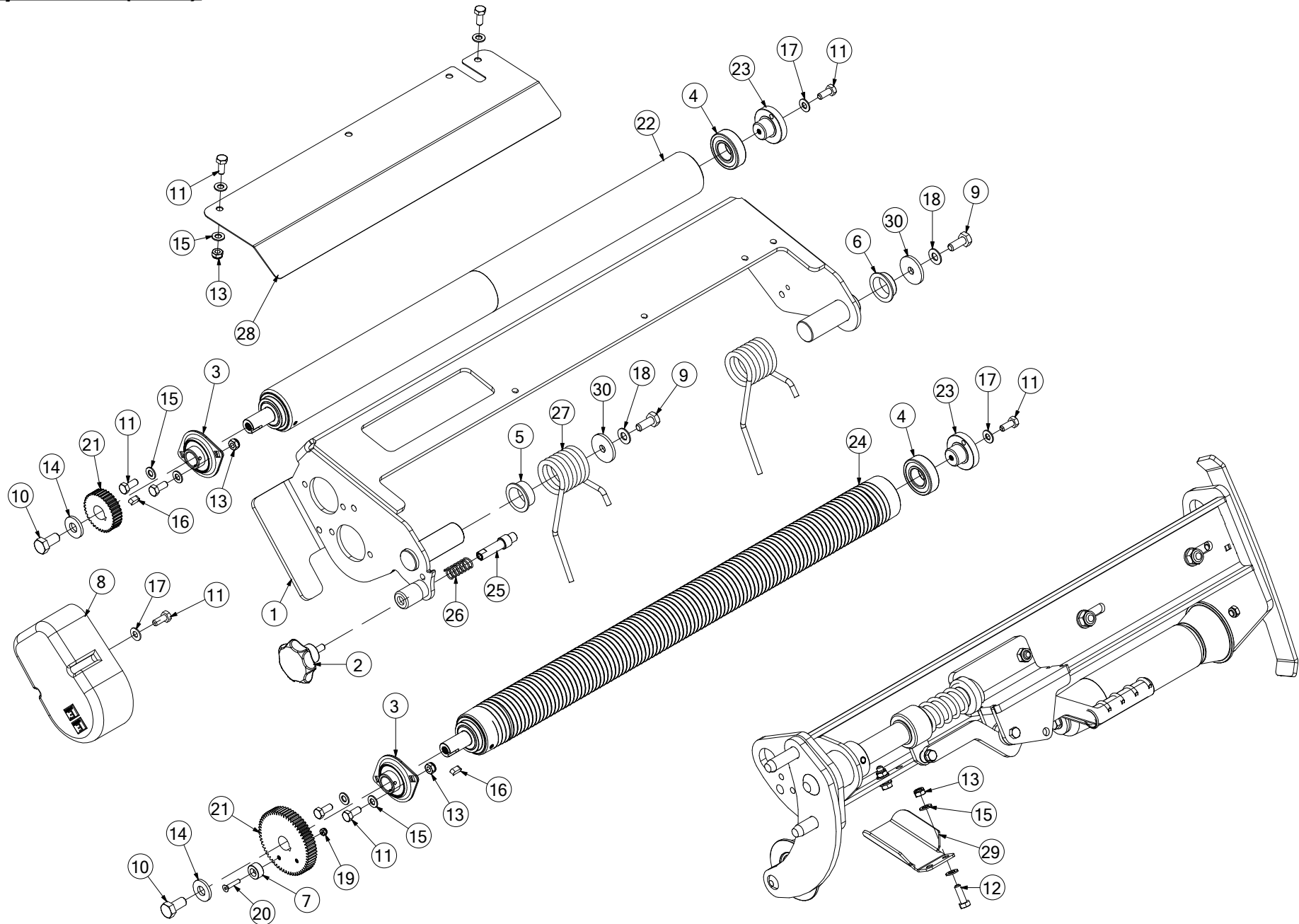
No.	Part No	Description	Qty
0	ACH01411	BRAKE CALIPER COMP ASSY FUSION 3 <i>COMPLETE ASSEMBLY - USED UP TO SERIAL No 662852 (FUSION 3) & SERIAL No 900343 (VARIO)</i>	1
0	ACH03011	BRAKE UNIT EXTD LARGE SPRINGS <i>COMPLETE ASSEMBLY - USED FROM SERIAL No 662853 (FUSION 3) & SERIAL No 900344 (VARIO)</i>	1
1	ABS00014	BRAKE PAD SET CALIPER FUSION <i>USED UP TO SERIAL No 662852 (FUSION 3) & SERIAL No 900343 (VARIO)</i>	1
1	ABS00259	BRAKE PAD SET [EXTENDED] <i>USED FROM SERIAL No 662853 (FUSION 3) & SERIAL No 900344 (VARIO)</i>	1
2	ACH01410	BRAKE PAD SLIDE FUSION 3 <i>REPLACES ACH00344</i>	1
3	CBE00258	RUBBER STRIP 190X20X3	1
4	CFA00123	NUT M10 NYLOC	3
5	CFA00124	NUT M12 NYLOC	1
6	CFA00128	NUT M16 NYLOC <i>USED UP TO SERIAL No 665639 (FUSION 3) & SERIAL No 900715 (VARIO)</i>	1
6	CFA00130	NUT M24 NYLOC <i>USED FROM SERIAL No 665640 (FUSION 3) & SERIAL No 900716 (VARIO)</i>	1
7	CFA00140	WASHER FLAT 16MM Z/P <i>USED UP TO SERIAL No 665639 (FUSION 3) & SERIAL No 900715 (VARIO)</i>	1
7	CFA00135	WASHER FLAT 1" Z/P <i>USED FROM SERIAL No 665640 (FUSION 3) & SERIAL No 900716 (VARIO)</i>	1
8	CFA00156	BOLT M10X55	2
9	CFA00201	WASHER FLAT 10 MM Z/P	2
10	CFA00251	WASHER SKM10	2
11	CFA00312	SETSCREW M10X40 Z/P	1
12	CFA00602	SETSCREW M10X30 SOC CAP Z/P	2
13	CFA00798	WASHER M10 NORDLOC	2
14	CFA00739	BOLT M16X70 Z/P <i>USED UP TO SERIAL No 665639 (FUSION 3) & SERIAL No 900715 (VARIO)</i>	1
14	CFA02353	BOLT M24X100 8.8 Z/P DIN931 <i>USED FROM SERIAL No 665640 (FUSION 3) & SERIAL No 900716 (VARIO)</i>	1
15	CMH00809	BUSH 10X16X11 Z/P	2
16	CMH01329	BUSH 10X25X12	2
17	CRA00172	RAM BRAKE CALLIPER	1
18	CSG00032	SPRING BELVILLE 18X50 <i>USED UP TO SERIAL No 665639 (FUSION 3) & SERIAL No 900715 (VARIO)</i>	16
18	CSG00309	DISC SPRING 70X25.5X2 <i>USED FROM SERIAL No 665640 (FUSION 3) & SERIAL No 900716 (VARIO)</i>	8
19	CZD04962	4MM L SUPPORT STRUT BRAKE UNIT	1
20	CZF06844	6MM SPACER PLATE BRAKE CALIPER	1
21	CZH04743	10MM L WASHER 45X26.5 <i>USED FROM SERIAL No 665640 (FUSION 3) & SERIAL No 900716 (VARIO)</i>	1
22	CZH03976	10MM BRAKE CALIPER PART FUSION 3 <i>USED UP TO SERIAL No 665639 (FUSION 3) & SERIAL No 900715 (VARIO)</i>	1
22	CZH05765	10MM L BRAKE UNIT BRACKET BIG SPRINGS <i>USED FROM SERIAL No 665640 (FUSION 3) & SERIAL No 900716 (VARIO)</i>	1

Dispenser 1 (1275)



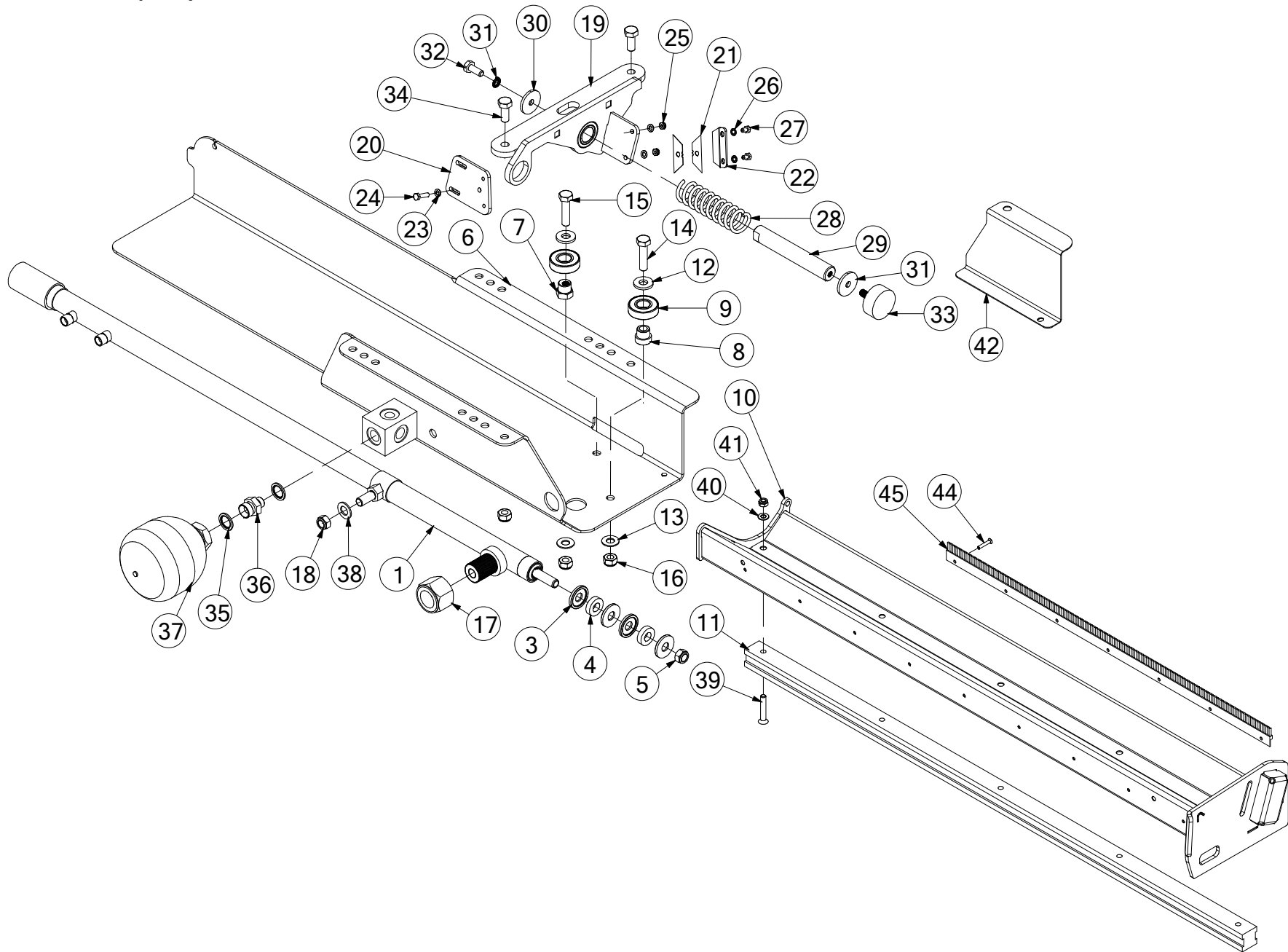
No.	Part No	Description	Qty
0	ADP00079	DISPENSER COMPLETE FUSION 3 <i>COMPLETE FUSION 3 DISPENSER ASSEMBLY (INCLUDES ALL ITEMS)</i>	1
0	ADP00281	DISPENSER COMPLETE FUSION VARIO <i>COMPLETE FUSION VARIO DISPENSER ASSEMBLY (INCLUDES ALL ITEMS)</i>	1
1	ADP00080	DISP WELD FILM HOLDER FUSION	1
2	ADP00084	DISP ROLL RETAINER WELD ASSY B/W	1
3	ADP00100	DISP SLIDE BUSH ASSY	1
4	ADP00162	DISPENSER LOCK COMPL ASSEMBLY <i>INCLUDES ITEM 30</i>	1
4a	CFA00194	LINCH PIN PIPE 10MMX50MM <i>OPTIONAL (NOT SHOWN)</i>	1
5	CBR00009	BEARING 6205 2RS	4
6	CFA00001	CIRCLIP 25MM EXTERNAL Z/P	2
7	CFA00024	SETSCREW M10X25 Z/P	1
8	CFA00025	SETSCREW M10X30	3
9	CFA00032	SETSCREW M12X30 Z/P	2
11	CFA00123	NUT M10 NYLOC	2
12	CFA00124	NUT M12 NYLOC	2
13	CFA00132	NUT M8 NYLOC Z/P	12
14	CFA00138	WASHER FLAT 12MM Z/P	4
15	CFA00147	WASHER FLAT 8MM Z/P	18
16	CFA00251	WASHER SKM10	7
17	CFA00311	SETSCREW M10X35 Z/P	1
18	CFA00316	BOLT M8X30 Z/P	2
19	CFA00402	CIRCLIP 30MM EXTERNAL	1
20	CFA00274	BOLT M8X25 BTN HEAD SOC CAP Z/P	2
21	CMH00785	COIL ROLLER (2 BEARING TYPE)	2
22	CMH02826	SHAFT 25X286 DISPENSER ROLL AXLE <i>(REPLACES CMH00573) ALSO ORDER ITEM 23 FOR FUSION 3 PRIOR TO SERIAL No 667298 & VARIO PRIOR TO 900871</i>	1
23	CPL00243	DISPENSER ROLL GUIDE (SHORT) <i>(REPLACES CPL00059) ALSO ORDER ITEM 22 FOR FUSION 3 PRIOR TO SERIAL No 667298 & VARIO PRIOR TO 900871</i>	1
24	CSG00213	SPRING 4.88W/D X 31ID X 7T/C X 100 F/C	1
25	CZC00112	3MM L DISPENSER SPACER	2
26	CZD00118	4MM L CUT & TIE SPACER	1
27	CZF02832	6MM L DISPENSER PART BALER <i>HOOK TYPE RETAINER USED ON FUSION 3 UP TO SERIAL No 667297 & VARIO UP TO 900870</i>	1
28	CZF02846	6MM L SENSOR PLATE BALER	1
29	CZH02093	10MM L WASHER 10X50 Z/P	1
30	CBC00012	CAP PLASTIC HANDGRIP 7/8"	1

Dispenser 2 (1276)



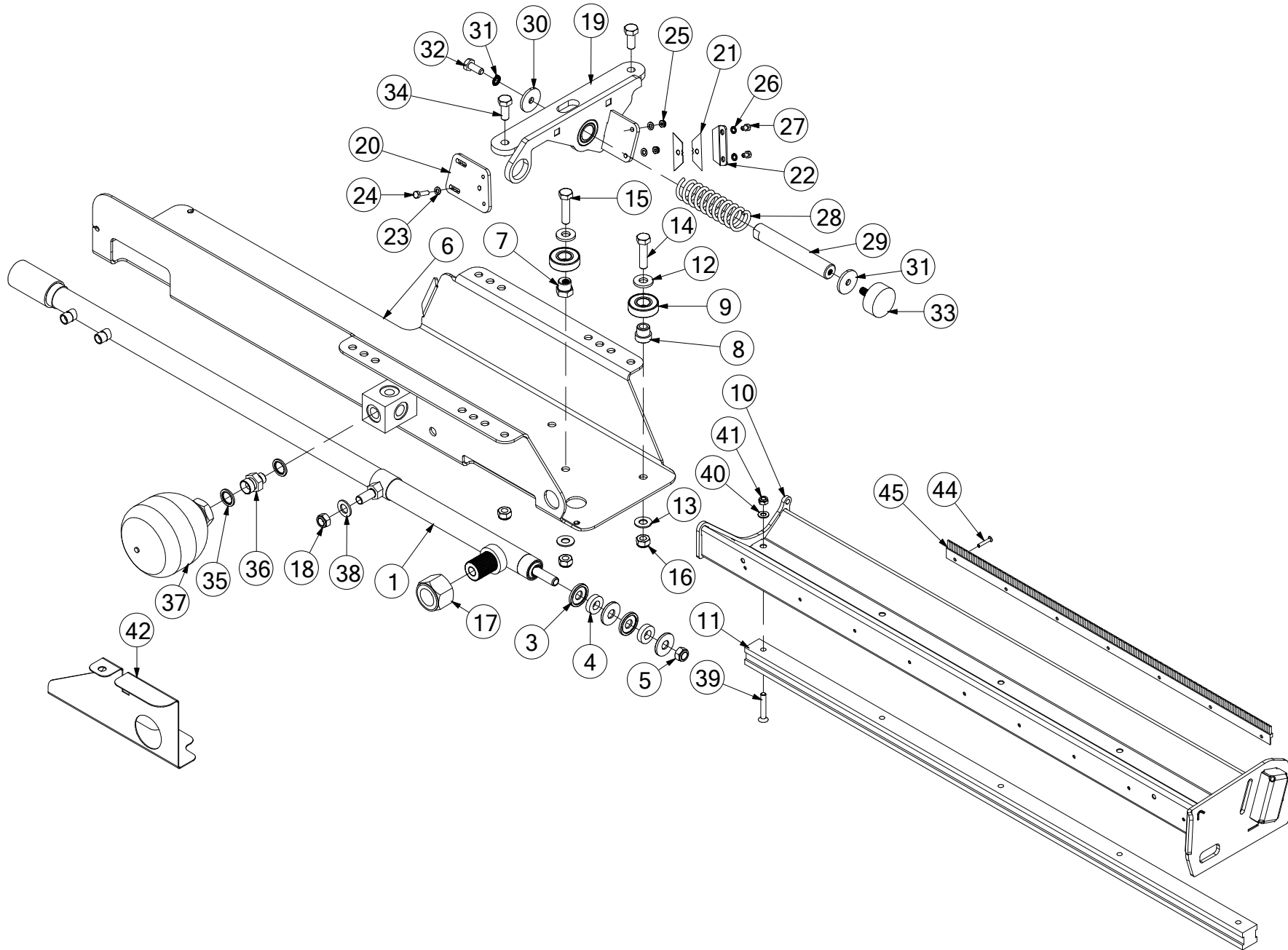
No.	Part No	Description	Qty
1	ADP00342	DISPENSER ROLLER FRAME WELD ASSEMBLY B/W <i>ALSO ORDER KST00080 FOR FUSION 3 PRIOR TO SERIAL No 667298 (REPLACES ADP00082)</i>	1
1	ADP00347	DISP ROLLER FRAME WELD ASSY VARIO <i>ALSO ORDER KST00080 FOR FUSION VARIO PRIOR TO SERIAL No 900871 (REPLACES ADP00279)</i>	1
2	CBC00178	HAND WHEEL KNOB M8 MALE <i>USED ON FUSION 3 FROM SERIAL No 667298 & FUSION VARIO FROM SERIAL No 900871</i>	1
3	CBR00004	BEARING 20MM 2BOLT P/S FLANGE	2
4	CBR00009	BEARING 6205 2RS	2
5	CBR00068	BEARING 30X34X16 STEPPED PLAS	1
6	CBR00107	BEARING 30X34X12 STEPPED PLAS	1
7	CEL00059	MAGNET 20 X 10 260369	1
8	CEL01780	TRANSMITTER MK2 EVEN/GEAR COVER <i>REPLACES CEL00221</i>	1
8	CEL01781	TRANSMITTER MK2 ODD/ GEAR COVER <i>REPLACES CEL00222</i>	1
8a	CEL01610	BATTERY FILM TRANSMITTER MK2	1
8b	CGD00465	TRANSMITTER MK2 PLASTIC HOUSING	1
9	CFA00024	SETSCREW M10X25 Z/P	3
10	CFA00031	SETSCREW M12X25 Z/P	2
11	CFA00052	SETSCREW M8X20 Z/P	12
12	CFA00102	SETSCREW M8X25 Z/P	2
13	CFA00132	NUT M8 NYLOC Z/P	13
14	CFA00139	WASHER FLAT 12MM H/D Z/P	2
15	CFA00147	WASHER FLAT 8MM Z/P	19
16	CFA00153	KEY 6X6X15	2
17	CFA00249	WASHER SKM8	4
18	CFA00251	WASHER SKM10	7
19	CFA00348	NUT M5 NYLOC SS	1
20	CFA00608	SETSCREW M5X25 CSK HEAD SS	1
21	ADP00018	KIT DISPENSER GEARS 70%	1
21	ADP00019	KIT DISPENSER GEARS 55%	1
22	CMH00580	ROLLER DISPENSER SECONDARY KNURLED	1
23	CMH00583	PIN 50X27 STEPPED 25	2
24	CMH02320	ROLLER DISPENSER PRIMARY SPIROL FUSION/W20	1
25	CMH02924	INDEX PIN 16X65 <i>USED ON FUSION 3 FROM SERIAL No 667298 & FUSION VARIO FROM SERIAL No 900871</i>	1
26	CSG00010	SPRING COMP 1.625X16X40X8 <i>USED ON FUSION 3 FROM SERIAL No 667298 & FUSION VARIO FROM SERIAL No 900871</i>	1
27	CSG00041	SPRING TOR 6.35WDX48ODX7.8COIL	2
28	CZB02152	1.5MM L DISPENSER GRASS GUARD	1
29	CZC05644	3MM L DISPENSER ROLL SUPPORT PLATE <i>USED ON FUSION 3 FROM SERIAL No 666080 & FUSION VARIO FROM SERIAL No 900743</i>	1
30	CZD00118	4MM L CUT& TIE SPACER	3

Cut & Hold LH (814)



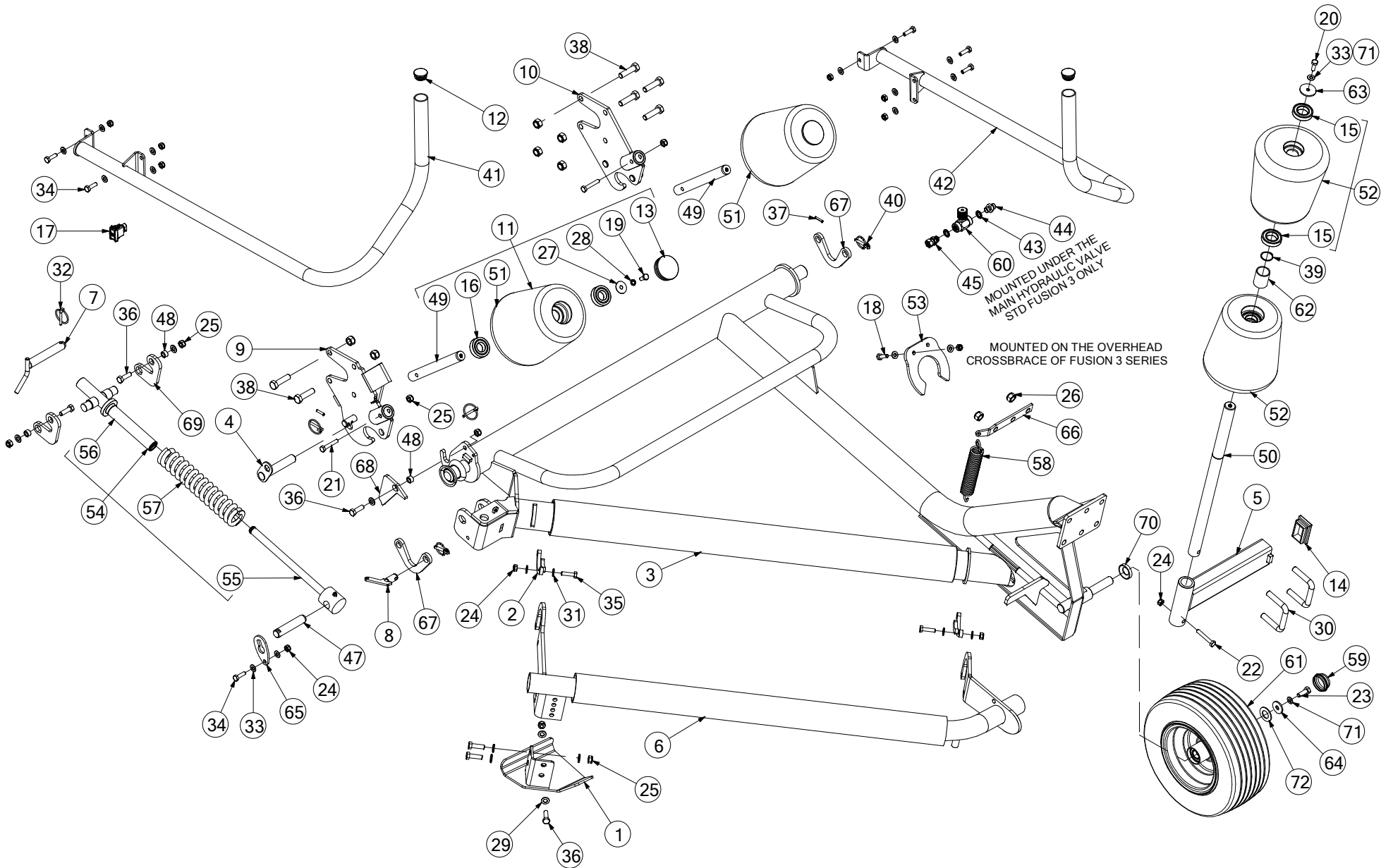
No.	Part No	Description	Qty
0	ACT00064	CUT & HOLD BALER LHS COMPLETE	1
1	CRA00074	RAM 25X18 CUT&HOLD 998	1
2	CSE00074	SEAL KIT RAM CUT&HOLD	1
<i>SEAL KIT FOR CRA00074 (NOT SHOWN)</i>			
3	CMH00330	WASHER DISHED 998 C&H RAM	4
4	CMH00331	WASHER RUBBER 998 C&H	2
5	CFA00126	NUT M14 NYLOC	1
6	ACT00065	CUT&HOLD FRAME WELD ASSY LH	1
7	CMH00262	BEARING HOLDER ECCENTRIC	1
8	CMH00261	BEARING HOLDER CONCENTRIC Z/P	2
9	CBR00020	BEARING 6204 2RS	3
10	ACT00002	CUT&HOLD SLIDER BARE (ALUM)	1
11	CMH00260	CUT&HOLD RAIL	1
12	CFA00139	WASHER FLAT 12MM H/D Z/P	3
13	CFA00250	WASHER SKM12	3
14	CFA00272	BOLT M12X50 Z/P	2
15	CFA00270	SETSCREW M12X50 Z/P	1
16	CFA00124	NUT M12 NYLOC	6
17	CFA00012	NUT 1"1/4 NYLOC UNF	1
18	CFA00126	NUT M14 NYLOC	1
19	ACT00003	CUT&HOLD 998, PLUNGER BRACKET	1
20	CZF02121	6MM L KNIFE PLATE	1
21	CKN00011	KNIFE STANLEY BLADE CUT&HOLD	2
22	CZC02012	3MM L 998 /COMBI KNIFE CLAMP	1
23	CFA00144	WASHER FLAT 6MM Z/P	4
24	CFA00098	SETSCREW M6X25 Z/P	2
25	CFA00131	NUT M6 NYLOC	2
26	CFA00268	WASHER 6MM SHAKEPROOF	2
27	CFA00269	SETSCREW M6X10 Z/P	2
28	CSG00036	SPRING COM 4.88X38X150X12	1
29	CMH00023	PIN 25X159 C.PLUNGER C&T	1
30	CZD00118	4MM L CUT& TIE SPACER	2
31	CFA00137	WASHER SPRING 10MM H.D Z/P	1
32	CFA00024	SETSCREW M10X25 Z/P	1
33	CBE00002	BUFFER RUBBER 50X21 M10X28	1
34	CFA00032	SETSCREW M12X30 Z/P	2
35	CHY00053	WASHER DOWTY 1/2	2
36	CHY02008	ADAPTOR 1/2 M 3/8 M	1
37	CVA03011	ACCUMULATOR 0.7 LITRE 80 BAR	1
38	CFA00222	WASHER FLAT 14MM Z/P	1
39	CFA00089	SETSCREW M8X45 CSK HEX Z/P	5
40	CFA00147	WASHER FLAT 8MM Z/P	5
41	CFA00132	NUT M8 NYLOC Z/P	5
42	CZB00290	1.5MM GUARD CUT AND HOLD LEFT F3	1
44	CFA00198	POP RIVET 4.8X14MM Z/P	14
45	CTP00527	BRUSH CUT TIE SLIDER	2

Cut & Hold RH (532)



No.	Part No	Description	Qty
0	ACT00039	CUT & HOLD BALER RHS COMPLETE	1
<i>ALSO ORDER HOSES CHY02897 & CHY02899 PRIOR TO SERIAL No 659778 (FUSION 3) & SERIAL No 900158 (FUS VARIO)</i>			
1	CRA00074	RAM 25X18 CUT&HOLD 998	1
2	CSE00074	SEAL KIT RAM CUT&HOLD	1
<i>SEAL KIT FOR CRA00074 (NOT SHOWN)</i>			
3	CMH00330	WASHER DISHED 998 C&H RAM	4
4	CMH00331	WASHER RUBBER 998 C&H	2
5	CFA00126	NUT M14 NYLOC	1
6	ACT00042	CUT & HOLD FRAME WELD ASY RGHT	1
<i>ALSO ORDER HOSES CHY02897 & CHY02899 PRIOR TO SERIAL No 659778 (FUSION 3) & SERIAL No 900158 (FUS VARIO)</i>			
7	CMH00262	BEARING HOLDER ECCENTRIC	1
8	CMH00261	BEARING HOLDER CONCENTRIC Z/P	2
9	CBR00020	BEARING 6204 2RS	3
10	ACT00002	CUT&HOLD SLIDER BARE (ALUM)	1
11	CMH00260	CUT&HOLD RAIL	1
12	CFA00139	WASHER FLAT 12MM H/D Z/P	3
13	CFA00250	WASHER SKM12	3
14	CFA00272	BOLT M12X50 Z/P	2
15	CFA00270	SETSCREW M12X50 Z/P	1
16	CFA00124	NUT M12 NYLOC	6
17	CFA00012	NUT 1"1/4 NYLOC UNF	1
18	CFA00126	NUT M14 NYLOC	1
19	ACT00003	CUT&HOLD 998, PLUNGER BRACKET	1
20	CZF02121	6MM L KNIFE PLATE	1
21	CKN00011	KNIFE STANLEY BLADE CUT&HOLD	2
22	CZC02012	3MM L 998 /COMBI KNIFE CLAMP	1
23	CFA00144	WASHER FLAT 6MM Z/P	4
24	CFA00098	SETSCREW M6X25 Z/P	2
25	CFA00131	NUT M6 NYLOC	2
26	CFA00268	WASHER 6MM SHAKEPROOF	2
27	CFA00269	SETSCREW M6X10 Z/P	2
28	CSG00036	SPRING COM 4.88X38X150X12	1
29	CMH00023	PIN 25X159 C.PLUNGER C&T	1
30	CZD00118	4MM L CUT & TIE SPACER	2
31	CFA00137	WASHER SPRING 10MM H.D Z/P	1
32	CFA00024	SETSCREW M10X25 Z/P	1
33	CBE00002	BUFFER RUBBER 50X21 M10X28	1
34	CFA00032	SETSCREW M12X30 Z/P	2
35	CHY00053	WASHER DOWTY 1/2	2
36	CHY02008	ADAPTOR 1/2 M 3/8 M	1
37	CVA03011	ACCUMULATOR 0.7 LITRE 80 BAR	1
38	CFA00222	WASHER FLAT 14MM Z/P	1
39	CFA00089	SETSCREW M8X45 CSK HEX Z/P	5
40	CFA00147	WASHER FLAT 8MM Z/P	5
41	CFA00132	NUT M8 NYLOC Z/P	5
42	CZB00291	1.5MM GUARD CUT AND HOLD RIGHT F3	1
44	CFA00198	POP RIVET 4.8X14MM Z/P	14
45	CTP00527	BRUSH CUT TIE SLIDER	2

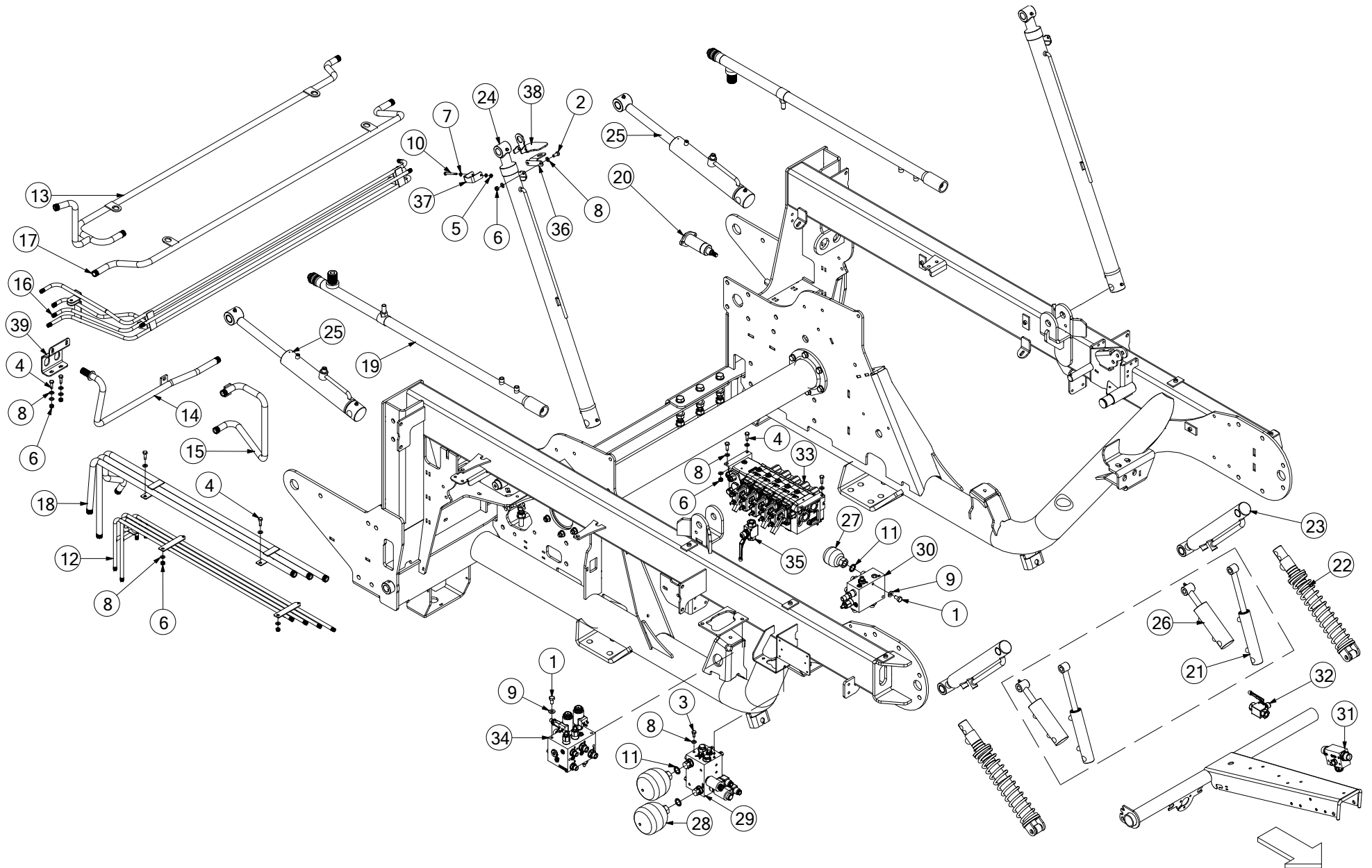
Side tip [From Serial No 657661] (894)



No.	Part No	Description	Qty
0	ABD00092	SIDETIP COMPLETE ALL FUSIONS	1
<i>SIDE TIP ASSEMBLY COMPLETE FOR ALL FUSION MODELS REGARDLESS OF SERIAL NO (INCLUDES ALL ITEMS)</i>			
1	ABD00048	FUSION 2 SIDETIP GROUND SUPPORT	1
2	ABD00050	LATCH SIDE TIP DROP BAR	2
3	ABD00071	SIDE TIP FUSION/VARIO WELD ASSY	1
4	ABD00105	FUSION/VARIO SIDE TIP TRANSPORT PIN	1
<i>REPLACES ABD00073</i>			
5	ABD00078	BOBBIN AXLE BUSH BRKT FUSION SIDETIP	1
6	ABD00079	FUSION 3/VARIO SIDETIP EXTENDED BAR	1
7	ABD00080	FUSION 3/VARIO SIDETIP SAFETY PIN	1
8	ABD00082	PIN FOR ABD00072 SIDE TIP FUSION	1
9	ACH01346	BOBBIN BRACKET WELD ASSY LEFT	1
10	ACH01347	BOBBIN BRACKET WELD ASSY RIGHT	1
11	ART00363	BOBBIN ASY SMALL 30MM COMPLETE	2
12	CPL00086	BLANKING CAP 40MM ID	2
13	CBC00008	CAP PLASTIC INSERT 75MM	2
14	CBC00021	CAP SQ PLASTIC INSERT 80 X 50	1
15	CBR00001	BEARING 6007 2RS	4
16	CBR00024	BEARING 62062RS	4
17	CEL00989	DOUBLE PUSH BUTTON SWITCH	1
<i>SWITCH USED FOR EXTERNAL TIP CRADLE CONTROL FOR FOLDING SIDETIP TO WORK/TRANSPORT POSITION</i>			
18	CFA00016	BOLT M10X35	2
19	CFA00024	SETSCREW M10X25 Z/P	2
20	CFA00025	SETSCREW M10X30	1
<i>USED UP TO SERIAL No 663606</i>			
20	CFA00032	SETSCREW M12X30 Z/P	1
<i>USED FROM SERIAL No 663607</i>			
21	CFA00027	BOLT M10X60 Z/P	2
22	CFA00028	BOLT M10X65 Z/P	1
23	CFA00031	SETSCREW M12X25 Z/P	1
24	CFA00123	NUT M10 NYLOC	14
25	CFA00124	NUT M12 NYLOC	9
26	CFA00128	NUT M16 NYLOC	12
27	CFA00134	WASHER MUDWING M10X38MM OD	2
28	CFA00137	WASHER SPRING 10MM HD Z/P	2
29	CFA00138	WASHER FLAT 12MM Z/P	11
30	CFA00200	U BOLT M16X80X50 Z/P	2
31	CFA00201	WASHER FLAT 10 MM Z/P	24
32	CFA00202	LINCH PIN 6MM	3
33	CFA00251	WASHER SKM10	3
34	CFA00311	SETSCREW M10X35 Z/P	7
35	CFA00312	SETSCREW M10X40 Z/P	4
36	CFA00324	SETSCREW M12X40 Z/P	7
37	CFA00345	ROLL PIN 6X30 Z/P	2
38	CFA00409	BOLT M16 X 60 Z/P	8
39	CFA00514	CIRCLIP 35MM EXTERNAL	1
<i>USED ON NEWER VERSIONS ONLY - REPLACES ITEM 62</i>			
40	CFA01084	SAFETY LINCH PIN 8X42	2
41	CGD00336	PANEL GUARD LEFT REAR FUSION 3	1
42	CGD00349	PANEL GUARD RIGHT REAR FUSION 3	1

43	CHY00020	WASHER DOWTY 3/8"	2
44	CHY02002	ADAPTOR 3/8" BSP M/M	1
45	CHY02098	ADAPTOR 3/8" BSP M-F	1
46	CHY02807	HA06-0460WJ-F0600N-F0690-000	1
<i>NOT SHOWN</i>			
47	CMH00387	PIN 25X120 MILLED FOR CAP Z/P	1
48	CMH00968	BUSH 19X12.5X11	3
49	CMH01183	PIN 30X280 BOBBIN AXLE	2
50	CMH02592	SHAFT 35 X 660 FUSION SIDETIP	1
51	CPL00038	BOBBIN ASY SMALL 30MM BEARING	2
<i>INCLUDES 2x ITEM 16</i>			
52	CPL00192	BOBBIN ASSEMBLY 6007 BEARINGS	2
<i>INCLUDES 2x ITEM 15</i>			
53	CPL00224	PLASTIC PIPE CATCH 88.9	1
54	CRA00749	FUSION SIDE-TIP SUSPENSION RAM	1
<i>INCLUDES ITEMS 55, 56 & 57</i>			
55	CRA00755	ROD FOR CRA00749	1
56	CRA00756	CYL FOR CRA00749	1
57	CSG00322	SPRING COMP 13WDX63.5ODX16COILX325	1
<i>REPLACES CSG00287</i>			
58	CSG00303	SPRING EXT 4.47X40.3X240 OPEN EYES	1
<i>REPLACES CSG00207</i>			
59	CTP00070	DUST CAP 170/60-8 VREDESTEIN	1
60	CVA00276	VALVE NEEDLE 3/8	1
<i>USED ON ALL STD FUSION 3. USED ON FUSION 3 PLUS ONLY UP TO SERIAL No 659743</i>			
61	CWH00037	WHEEL 170/60-8 V64+ 6PLY PICK-UP	1
62	CXT00763	TUBE 42.4X3X52	1
<i>USED ON OLDER VERSIONS ONLY - REPLACED BY ITEM 39</i>			
63	CZD00121	4MM L CUT & TIE SPACER Z/P	1
<i>USED UP TO SERIAL No 663606</i>			
63	CZD03017	4MM L WASHER 12.5X50X4 Z/P	1
<i>USED FROM SERIAL No 663607</i>			
64	CFA00718	WASHER MUDWING A13 Z/P	1
65	CZF00292	6MM L CAP LONG FOR 25MM PINS	1
66	CZF04875	6MM L FUSION 2 SIDETIP BRACKET	1
67	CZH03852	10MM L SIDE TIP PLATE FUSION/VARIO	2
68	CZH04865	10MM L SIDE-TIP FUSION LATCH	1
69	CZH04868	10MM SIDE TIP PART	2
70	CMH03238	BUSH 25X40X6 CHAMFER	1
<i>USED FROM SERIAL No 667815</i>			
71	CFA00250	WASHER SKM12	2
72	CFA00720	WASHER FLAT M26 Z/P DIN126	1

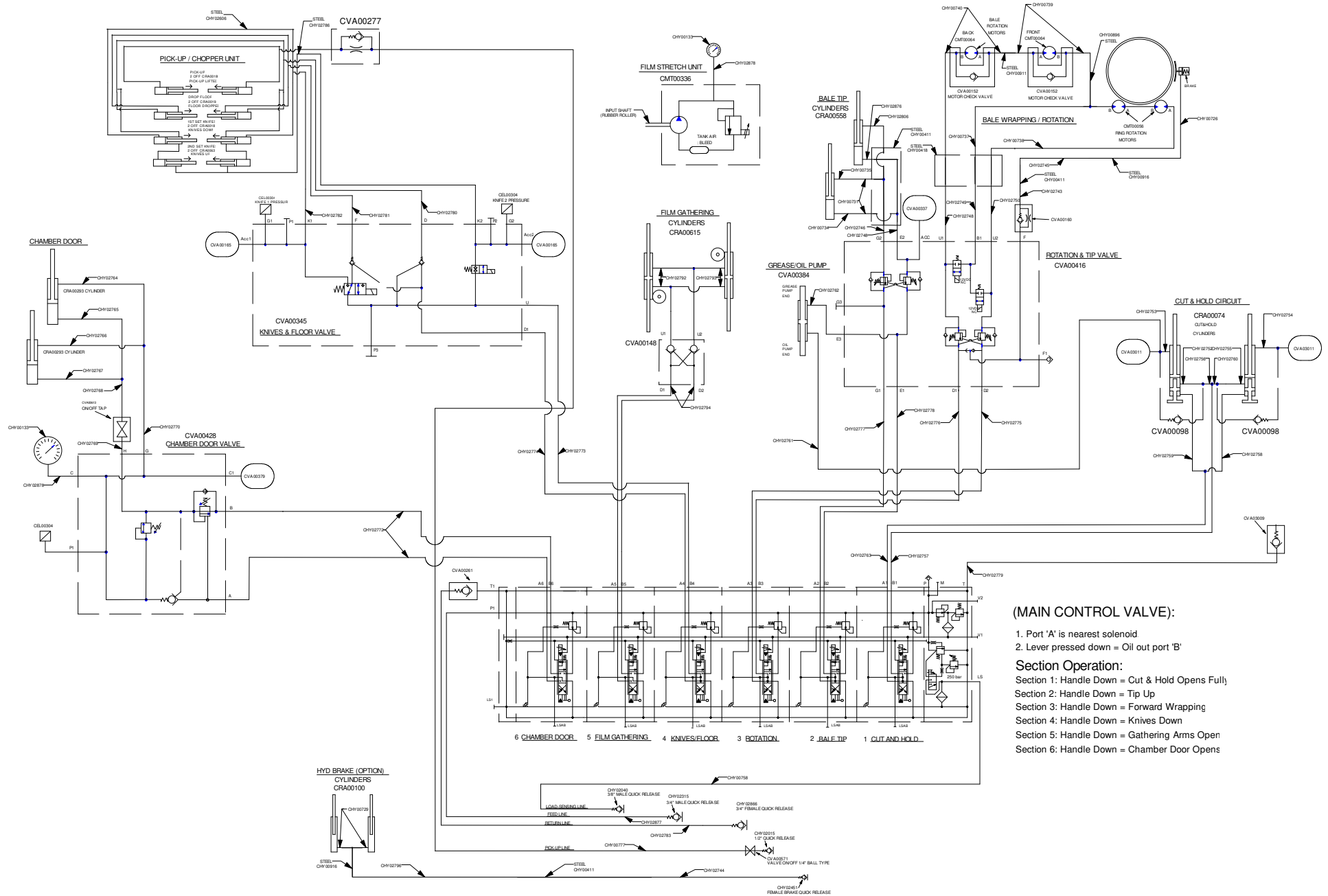
Hydraulic components (1198)



No.	Part No	Description	Qty
1	CFA00023	SETSCREW M10X20 Z/P	4
2	CFA00052	SETSCREW M8X20 Z/P	2
<i>USED ON FUSION PRO & FUSION PLUS MODELS ONLY</i>			
3	CFA00101	SETSCREW M8X16 Z/P	2
4	CFA00102	SETSCREW M8X25 Z/P	8
5	CFA00131	NUT M6 NYLOC	1
<i>USED ON FUSION PRO & FUSION PLUS MODELS ONLY</i>			
6	CFA00132	NUT M8 NYLOC Z/P	12
7	CFA00144	WASHER FLAT 6MM Z/P	2
<i>USED ON FUSION PRO & FUSION PLUS MODELS ONLY</i>			
8	CFA00147	WASHER FLAT 8MM Z/P	26
9	CFA00201	WASHER FLAT 10 MM Z/P	4
10	CFA00516	BOLT M6X60 ZP	1
<i>USED ON FUSION PRO & FUSION PLUS MODELS ONLY</i>			
11	CHY00053	WASHER DOWTY 1/2"	3
12	CHY00411	1/4" STEEL PIPE ASSY FUSION3 WELD	1
13	CHY00896	STEEL PIPE FUSION II	1
14	CHY00911	STEEL PIPING RIGHT CHASSIS FUS	1
15	CHY00912	STL PIPING BACK CHASSIS	1
16	CHY00916	STEEL PIPING CROSS CHASSIS FUS	1
<i>UP TO SERIAL No 670625</i>			
17	CHY00928	ASSY STL PIPE FUSION II	1
18	CHY02930	STEEL PIPE ASSY 1/2" WELD FUSION3 CT	1
19	CRA00074	RAM CUT&HOLD 25X18 998/FUSION	2
20	CRA00172	RAM BRAKE CALIPER	1
21	CRA00185	RAM KNIFE ACTUATION BW	2
22	CRA00186	RAM PICKUP BALER	2
<i>USED WITH STANDARD CAM-TRACK PICK-UP UP TO SERIAL No 669299</i>			
22	CRA00292	RAM PICK UP REEL (CAMLESS)	2
<i>UP TO SERIAL No 666752</i>			
22	CRA00296	RAM PICK UP (CAMLESS) 2020	2
<i>FROM SERIAL No 666753 ON CAMLESS & FROM SERIAL No 669300 ON CAM-TRACK</i>			
23	CRA00193	RAM CHOPPER FLOOR 20X40 BW	2
24	CRA00264	RAM 45X35X743 TOP DOOR FUSION	2
<i>USED ON STANDARD FUSION MODELS ONLY</i>			
24	CRA00293	RAM 45X35X740 TOP DOOR PLUS	2
<i>USED ON FUSION PRO & FUSION PLUS MODELS ONLY</i>			
25	CRA00558	RAM 50X30X228 BALE TIP CRADLE FUSION	2
26	CRA00637	RAM 45X20 SELECT KNIFE	2
<i>USED WITH SELECTABLE KNIVES (KNIFE BANK 2) ONLY</i>			
27	CVA00375	ACCUMULATOR 0.32L 160 BAR	1
<i>CVA00379 CAN ALSO BE USED</i>			
28	CVA00165	ACCUMULATOR 0.5 LITRE 25 BAR	2
29	CVA00345	VALVE SELECT KNIFE OPTION CTRL	1
<i>USED WITH SELECTABLE KNIVES ONLY</i>			
29	CVA00351	VALVE KNIFE/FLOOR CTRL FUSION	1
<i>USED WITH STANDARD KNIVES ONLY</i>			
30	CVA00239	VALVE ASY BALER DOOR 2004+ MOD	1
<i>USED ON STANDARD FUSION MODELS ONLY</i>			
30	CVA00428	BALER DOOR VALVE C/W OVERCENTRE	1
<i>USED ON FUSION PRO & FUSION PLUS MODELS ONLY</i>			
31	CVA00442	VALVE ASSY RETURN PRESSURE RELEASE	1

32	CVA00613	BLOCK TYPE 3/8" 2 WAY VALVE C/W LOCKING HANDLE & 6.5 MM	1
33	CVA00299	VALVE CTL 5 BANK FUSION DPC130	1
<i>USED ON STANDARD FUSION MODELS ONLY</i>			
33	CVA00745	DPC130 6 BANK FUS 3 PLUS-VARIO LSB	1
<i>USED ON FUSION PLUS MODELS ONLY</i>			
33	CVA00756	DPC130 5 BANK LS BOOST FUSION PRO	1
<i>USED ON FUSION PRO MODELS ONLY</i>			
34	CVA00758	VALVE ASY ROTATION TIP FUSION	1
35	CVA00792	BLOCK TYPE 1/2" 2 WAY VALVE C/W LOCKING HANDLE & 6.5 MM	1
<i>CUT & HOLD LOCK VALVE USED ON FUSION 4 MODELS ONLY</i>			
36	CZC02602	3MM SENSOR MOUNTING PLATE	1
<i>USED ON FUSION PRO & FUSION PLUS MODELS ONLY</i>			
37	CZC02603	3MM SENSOR TARGET PLATE PART	1
<i>USED ON FUSION PRO & FUSION PLUS MODELS ONLY</i>			
38	CZD02927	4MM SENSOR TARGET PLATE	1
<i>USED ON FUSION PRO & FUSION PLUS MODELS ONLY</i>			
39	CZD04670	4MM L PLATE STEEL PIPE BRACKET FUS 3	1

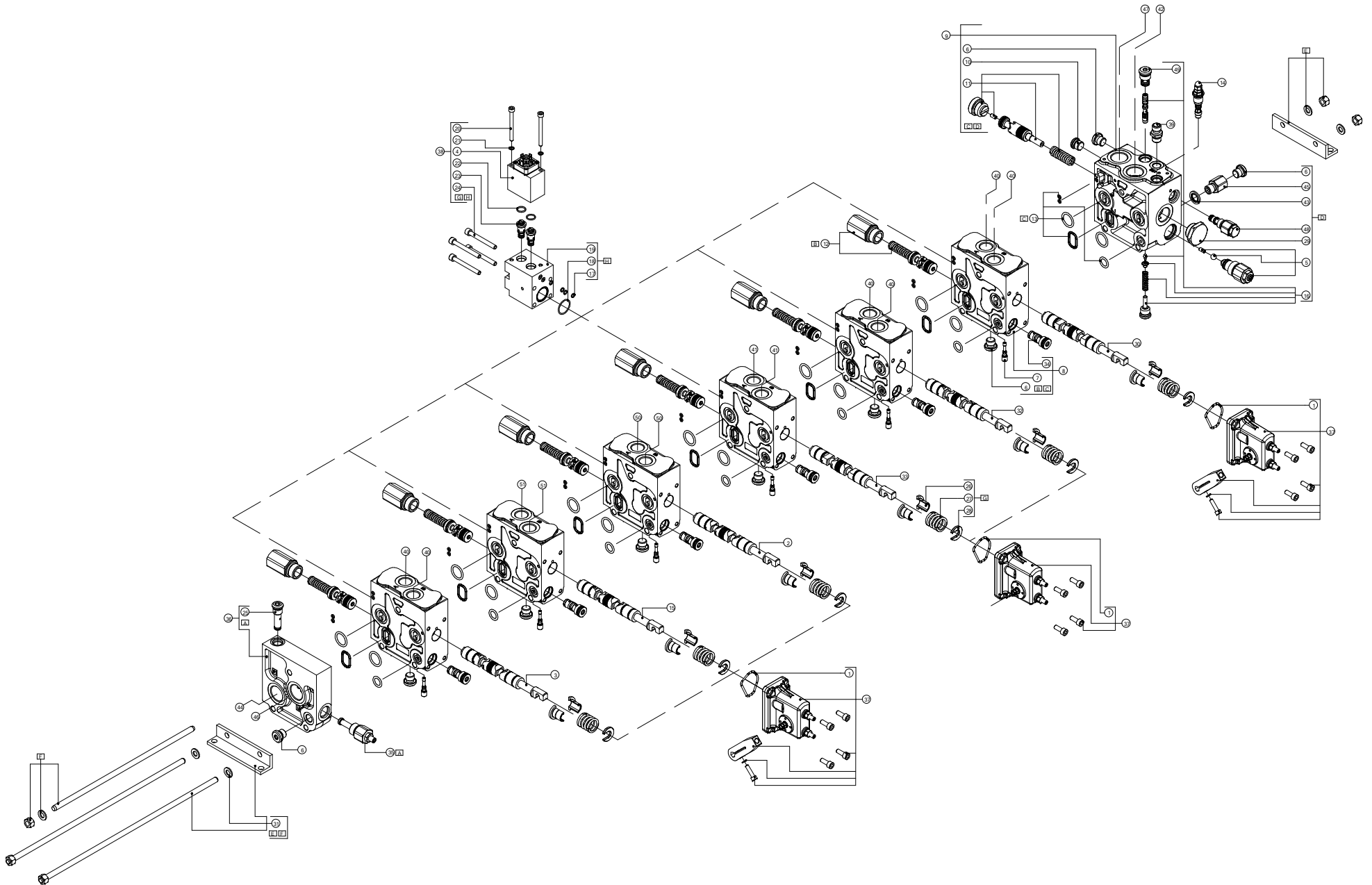
Hydraulic layout [From Serial No 659744] (975)



No.	Part No	Description	Qty
1	CEL00304	PRESSURE TRANSMITTER 0-250BAR	3
2	CHY02015	QR 1/2" MALE SHIELDED POPPET	2
3	CHY02040	QR 3/8" MALE	1
4	CHY02315	3/4" MALE QUICK RELEASE	1
5	CMT00056	MOTOR 80CC WHEEL TAPER SHAFT	2
6	CMT00064	MOTOR 625CC SIDE PORT 32SHAFT	2
7	CMT00336	PUMP ASSY COMBINED RELIEF VALVE <i>USED ON FUSION 3 PLUS UP TO SERIAL No 668621 (REPLACES CMT00284)</i>	1
7	CMT00479	PUMP 8.5CC PROP HIGH STRETCH <i>USED ON FUSION 3 PLUS FROM SERIAL No 668622 (REPLACES CMT00336)</i>	1
8	CRA00074	RAM CUT&HOLD 25X18 998/FUSION	2
9	CRA00185	RAM KNIFE ACTUATION BW	2
10	CRA00186	RAM PICKUP BALER	2
11	CRA00193	RAM CHOPPER FLOOR 20X40 BW	2
12	CRA00293	RAM 45X35X740 TOP DOOR FUSION3+	2
12a	CSE00293	SEAL KIT 45X35 FOR CRA00293	2
13	CRA00558	RAM 50X30 ROLLER CRADLE FUSION	2
14	CRA00615	RAM FILM GATHERING UNIT	2
15	CRA00637	RAM 45X20 SELECT KNIFE	2
16	CVA00380	RELIEF/CHECK VALVE C&H FUSION	2
17	CVA00379	ACCUMULATOR 0.16L 75 BAR	1
18	CVA00758	VALVE ASY ROTATION TIP FUSION	1
19	CVA00165	ACCUMULATOR 0.5 LITRE 25 BAR	2
20	CVA00428	BALER DOOR VALVE C/W OVERCENTRE	1
21	CVA00261	VALVE CHECK 3/4 0.5 BAR M/F	1
22	CVA00277	VALVE CHECK 1.5 ORIFICE 1/4"	1
23	CVA00337	ACCUMULATOR 0.075L 150 BAR	1
24	CVA00345	VALVE SEL KNIFE OPTION CTRL	1
25	CVA00406	DPC130 6 BANK FUS 3 PLUS-VARIO <i>FUSION 3 PLUS UP TO SERIAL No 665622 (SAME AS CVA00373 BY REPLACING #6 SPOOL (ITEM 3) WITH CVA00404)</i>	1
25	CVA00745	DPC130 6 BANK FUS 3 PLUS-VARIO LSB <i>USED ON FUSION 3 PLUS FROM SERIAL No 665623 (REPLACES CVA00406)</i>	1
26	CVA00571	VALVE ON/OFF DN 06 BKH-G 1/4"	1
27	CVA03009	VALVE DUMP 60BAR	1
28	CVA03011	ACCUMULATOR 0.7 LITRE 70 BAR	2
29	CVA03100	VALVE ON/OFF 3/8" BALL TYPE	1
30	CHY00726	HA04-1360WJ-F0400N-F0490N-000	1
31	CHY00729	HA04-1025WJ-F0490N-F0490N-315	2
32	CHY00731	HA04-0500WJ-F0400N-F0400N-000	2
33	CHY00734	HA04-1050WJ-F0400N-F0490N-000	1
34	CHY00735	HA04-1105WJ-F0400N-F0490N-000	1
35	CHY00737	HA08-0590WJ-F0800N-F0800N-000	1
36	CHY00738	HA08-0440WJ-F0800N-F0800N-000	1
37	CHY00739	HA08-0480WJ-F0800N-F0800N-000	1
38	CHY00740	HA08-1320WJ-F0800N-F0845N-000	1
39	CHY00758	HA04 4940WJ-F0400N-B0400N-000	1
40	CHY00777	HA04 4485WJ-F0400N-F0400N-000	1
41	CHY02743	HA04-0430WJ-F0400N-F0400N-000	1
42	CHY02744	HA04-4950WJ-F0400N-F0400N-000	1

43	CHY02745	HA04-0450WJ-F0400N-F0490N-000	1
44	CHY02746	HA04-0580WJ-F0400N-F0400N-000	1
45	CHY02748	HA08-0520WJ-F0800N-F0800N-000	1
46	CHY02749	HA08-0470WJ-F0800N-F0800N-000	1
47	CHY02750	HA08-0430WJ-F0800N-F0800N-000	1
48	CHY02752	HA06-0415WJ-F0600N-F0600N-000	1
49	CHY02753	HA06-0300WJ-F0600N-F0690N-000	1
50	CHY02752	HA06-0415WJ-F0600N-F0600N-000	1
51	CHY02753	HA06-0300WJ-F0600N-F0690N-000	1
52	CHY02756	HA06-4660WJ-F0600N-F0600N-000	1
53	CHY02757	HA06-0420WJ-F0600N-F0600N-000	2
54	CHY02758	HA06-0940WJ-F0600N-F0690N-000	1
55	CHY02759	HA06-4540WJ-F0600N-F0690N-000	1
56	CHY02760	HA06-0980WJ-F0600N-F0600N-000	1
57	CHY02761	HA04-2350WJ-F0490B-F0490B-000	1
58	CHY02762	HA04-4070WJ-F0490N-F0490N-000	1
60	CHY02764	HA06-4580WJ-F0600N-F0600N-000 LH	1
61	CHY02765	HA06-2540WJ-F0800N-F0690N-000 LH	1
62	CHY02766	HA06-1410WJ-F0600N-F0600N-000 RH	1
63	CHY02767	HA06-3140WJ-F0800N-F0690N-000 RH	1
64	CHY02768	HA08-0960WJ-F0890N-F0890N-180	1
65	CHY02769	HA08-2570WJ-F0690N-F0890N-000	1
66	CHY02770	HA06-0270WJ-F0690N-F0690N-090	1
68	CHY02772	HA06-0470WJ-F0600N-F0690N-000	2
69	CHY02773	HA04-0680WJ-F0400N-F0400N-000	1
70	CHY02774	HA04-0670WJ-F0400N-F0400N-000	1
71	CHY02775	HA08-0690WJ-F0800N-F0890N-000	1
72	CHY02776	HA08-0640WJ-F0800N-F0890N-000	1
73	CHY02777	HA06-0710WJ-F0600N-F0690N-000	1
74	CHY02778	HA06-0650WJ-F0600N-F0690N-000	1
75	CHY02779	HA06-0650WJ-F0600N-F0600N-000	1
76	CHY02780	HA04-0770WJ-F0400N-F0490N-000	1
77	CHY02781	HA04-0790WJ-F0400N-F0490N-000	1
78	CHY02782	HA04-0740WJ-F0400N-F0490N-000	1
79	CHY02783	HA12-4250WJ-F 1200N-F 1290P-000	1
80	CHY02792	HA04-1300WJ-F0400N-F0490N-000	2
80	CFA01022	SLEEVE PROTECTOR 45-27MMX550	2
81	CHY02793	HA04-1300WJ-F0490N-F0490N-180	1
81	CHY02928	HA04-1300WJ-F0490N-F0490N-270	1
82	CHY02794	HA04-3150WJ-F0400N-F0490N-000	2
83	CHY02796	HA04-0570WJ-F0400N-F0490N-000	1
84	CHY02806	HA04-0650WJ-F0400N-F0490N-000	1
85	CHY02876	HA04-0550WJ-F0400N-F0490N-000	1
86	CHY02877	HA10 4410WJ-F 1200N-F 1200N-000	1
87	CHY02878	PRESSURE GAUGE HOSE 2400MM	1
88	CVA00148	DOUBLE IN-LINE CHECK VALVE	1
89	CHY02451	QUICK RELEASE TRAILER BRAKE FEMALE	1
90	CHY02866	3/4 FEMALE QUICK RELEASE	1
90a	KST00123	KIT TANK LINE RELEASE VALVE	1
91	CVA00160	VALVE CHECK 1/4 0.4MM ORIFICE	1

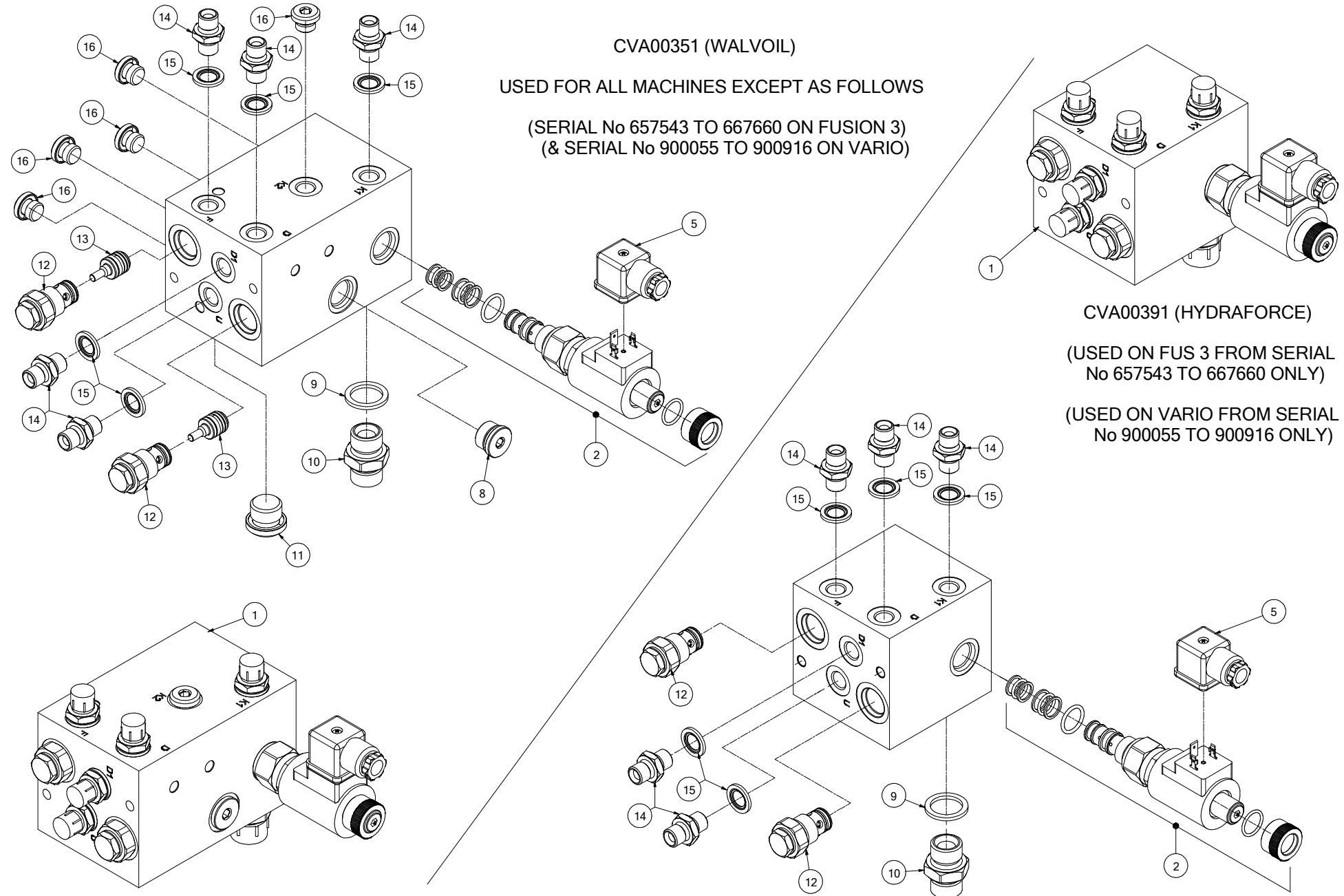
Valve main control (937)



No.	Part No	Description	Qty
0	CVA00373	DPC130 6 BANK FUSION 3 PLUS <i>ON FUSION 3 PLUS UP TO SERIAL No 659743 (CVA00406 CAN BE USED BY REPLACING ITEM #3 WITH CVA00120)</i>	1
0	CVA00406	VALVE DPC130 6 BANK FUSION VARIO <i>ON FUSION 3+ SERIAL No 659744 TO 665622 & VARIO UP TO SERIAL 900701 (CAN USE CVA00373 IF ITEM 3 = CVA00440)</i>	1
0	CVA00745	DPC130 6 BANK FUS 3 PLUS-VARIO LSB <i>ON FUSION 3+ FROM SERIAL No 665623 & VARIO FROM SERIAL No 900702</i>	1
1	CSE00120	SEAL O-RING LEVER BOX DPC130	6
2	CVA00114	SPOOL 10L HS2000 FUSION2 F560	1
3	CVA00120	SPOOL BALE LIFT DPC130 998/FUS <i>USED ON FUSION 3 PLUS UP TO SERIAL No 659743</i>	1
3	CVA00440	SPOOL DOOR FUSION3+ AND VARIO GROOVED <i>ON FUSION 3 PLUS FROM SERIAL No 659744 & ALL VARIOS - REPLACES CVA00430 & CVA00404</i>	1
4	CVA00122	SOLENOID DPC130	6
5	CVA00138	PLUG OPEN/CLOSED DSK DPC130	1
6	CVA00176	PLUG BSP 1/4"	9
7	CVA00177	FLOW LIMITER DPC130	6
8	CVA00179	VALVE SECTION DPC130 C10 <i>INCLUDES ITEMS 12 & 13</i>	6
9	CVA00793	VALVE MAIN INLET SECTION LS BOOST <i>INCLUDES SUB ASSEMBLIES C & D</i>	1
10	CVA00183	TAP M14 X 1.5	1
11	CVA00185	INLET COMPENSATION VALVE	1
12	CVA00186	SECTION COMPENSATOR DPC130 <i>ITEM B</i>	6
13	CVA00187	SEAL KIT DPC130 "O" RINGS <i>ITEM C</i>	7
14	CVA00191	VALVE DPC130 (180-350BAR)	1
15	CVA00262	SPOOL TOP DOOR FUSION TEST	1
16	CVA00193	VALVE PRES REDUCING DPC130	1
17	CVA00194	O-RING SEAL 5 X 1.2MM PARKER	6
18	CVA00195	O-RING SEAL 21.95MM X 1.78MM	6
19	CVA00196	CONTROL MODULE DPC130	6
20	CVA00197	SOC CAP M5 X 55MM	12
21	CVA00198	WASHER ELASTIC M5	12
22	CVA00199	O-RING SEAL 11.11MM X 1.78MM	12
23	CVA00200	PRESSURE REDUCER DPC130	12
24	CVA00201	SOC CAP M6 X 55MM	24
25	CVA00742	PLUG SERVO TANK LINE CHECK VALVE <i>REPLACES CVA00203 WHICH CAN ALSO BE USED AS AN ALTERNATIVE</i>	1
26	CVA00204	OPEN BUSHING DPC130	12
27	CVA00205	SPRING DPC130	6
28	CVA00206	RING 11.2 X 23 X 3MM	6
29	CVA00207	PLUG DPC130	1
30	CVA00118	SPOOL CUT&HOLD DPC130 998 <i>CVA00118 REPLACES CVA00254</i>	1
31	CVA00354	TIE ROD KIT VALVE CHEST FUS 6 BANK	1
32	CVA00257	SPOOL CRADLE TIP FUSION	1
33	CVA00448	SPOOL FUSION ROTATION GROOVED <i>REPLACES CVA00319</i>	1
34	CVA06011	SENSING LINE SHUTTLE ALL DPC	6
34	CSE00138	SEAL KIT DPC130 SHUTTLE VALVE	1

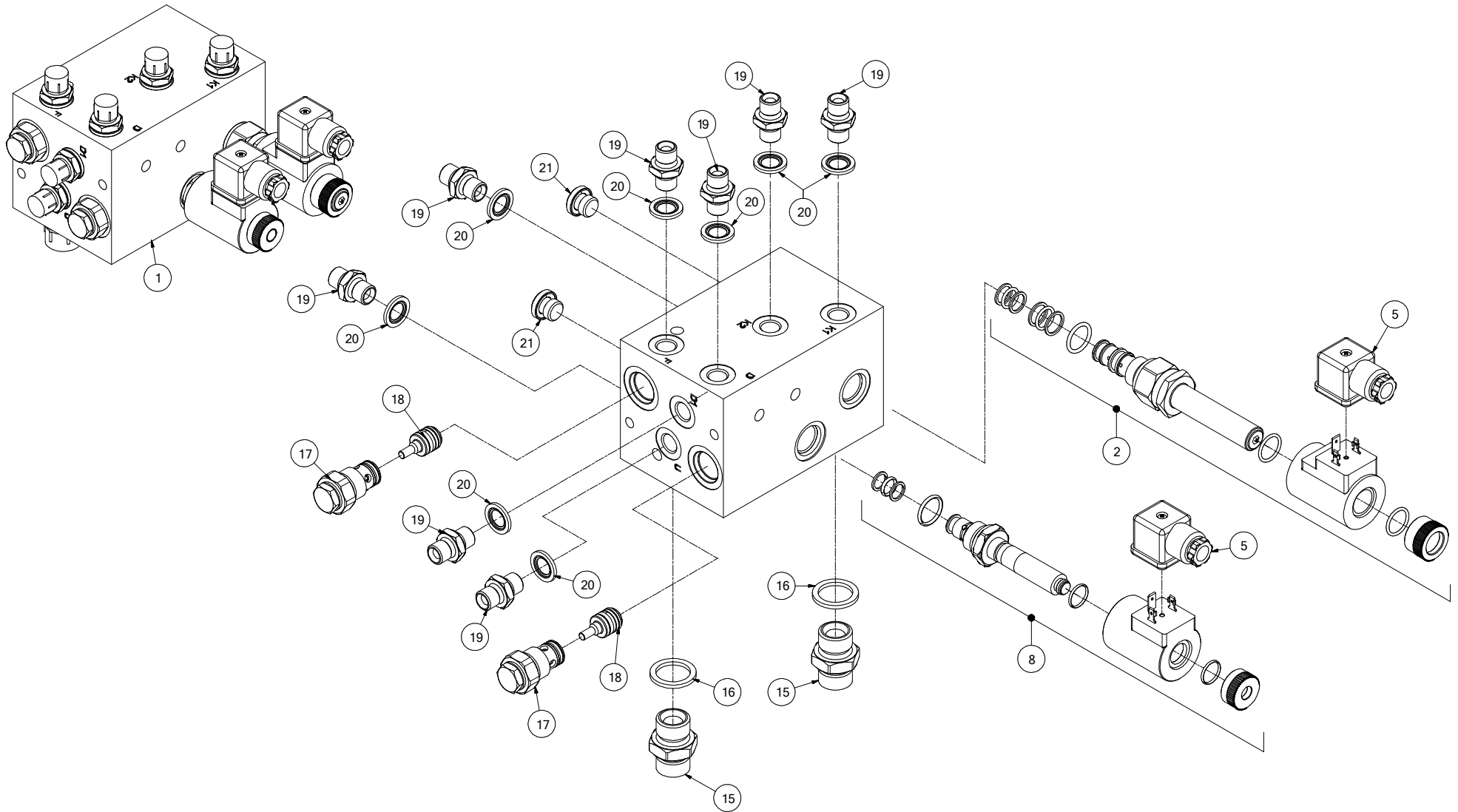
SEAL KIT FOR SHUTTLE VALVE CVA06011			
35	CVA10024	CARTRIDGE	1
36	CVA10025	VALVE SECTION <i>INCLUDES ITEMS 25 & 35</i>	1
37	CVA00103	LEVER PIVOT BOX <i>ACTUATING LEVER IS ONLY FITTED TO VALVE SLICES #1, 4, 5 & 6 AS SHOWN</i>	6
38	CVA10027	SOLENOID ASSY <i>INCLUDES ITEMS SHOWN ALONG WITH SUB ASSEMBLIES G & H</i>	6
39	CHY02010	ADAPTOR 1/4 BSP M/M	1
40	CHY02008	ADAPTOR 1/2" M 3/8" M <i>PORTS A1, A2, A6, B1, B2 & B6</i>	6
40a	CHY00053	WASHER DOWTY 1/2" <i>PORTS A1 TO A6 & B1 TO B6</i>	12
41	CHY02013	ADAPTOR 1/2" BSP M/M <i>PORTS A3 & B3</i>	2
42	CHY02263	ADAPTOR 3/8" M / 3/4" M <i>PORT T</i>	1
42a	CHY02012	WASHER DOWTY 3/4" <i>PORTS P, P1, T & T1</i>	4
43	CHY00015	WASHER DOWTY 1/4	1
44	CHY00057	ADAPTOR 5/8 M 3/4 M <i>PORT P1</i>	1
45	CVA00192	FILTER LOAD SENSING DPC130 <i>USED ON OLDER VALVE BLOCKS CVA00373 & CVA00406 ONLY</i>	1
45	CHY02103	ADAPTOR 1/4" BSP M/F <i>USED ON NEW VALVE BLOCK CVA00745</i>	1
46	CHY02262	ADAPTOR 3/4 BSP M-M <i>PORT T1</i>	1
47	CHY02476	ADAPTOR 3/4 TO TEST POINT <i>PORT P</i>	1
48	CVA00794	VALVE CARTRIDGE LS BOOST REDUCTION	1
49	CVA00795	PLUG VRP/DPC130 INLET SECTION FILTER	1
50	CHY02085	ADAPTOR 1/2M - 1/4M <i>PORTS A4 & B4</i>	2
51	CHY02085	ADAPTOR 1/2M - 1/4M <i>PORTS A5 & B5 (FUSION 3 PLUS ONLY)</i>	2
51	CHY02008	ADAPTOR 1/2" M 3/8" M <i>PORTS A5 & B5 (FUSION VARIO ONLY)</i>	2

Valve knives & floor (1472)



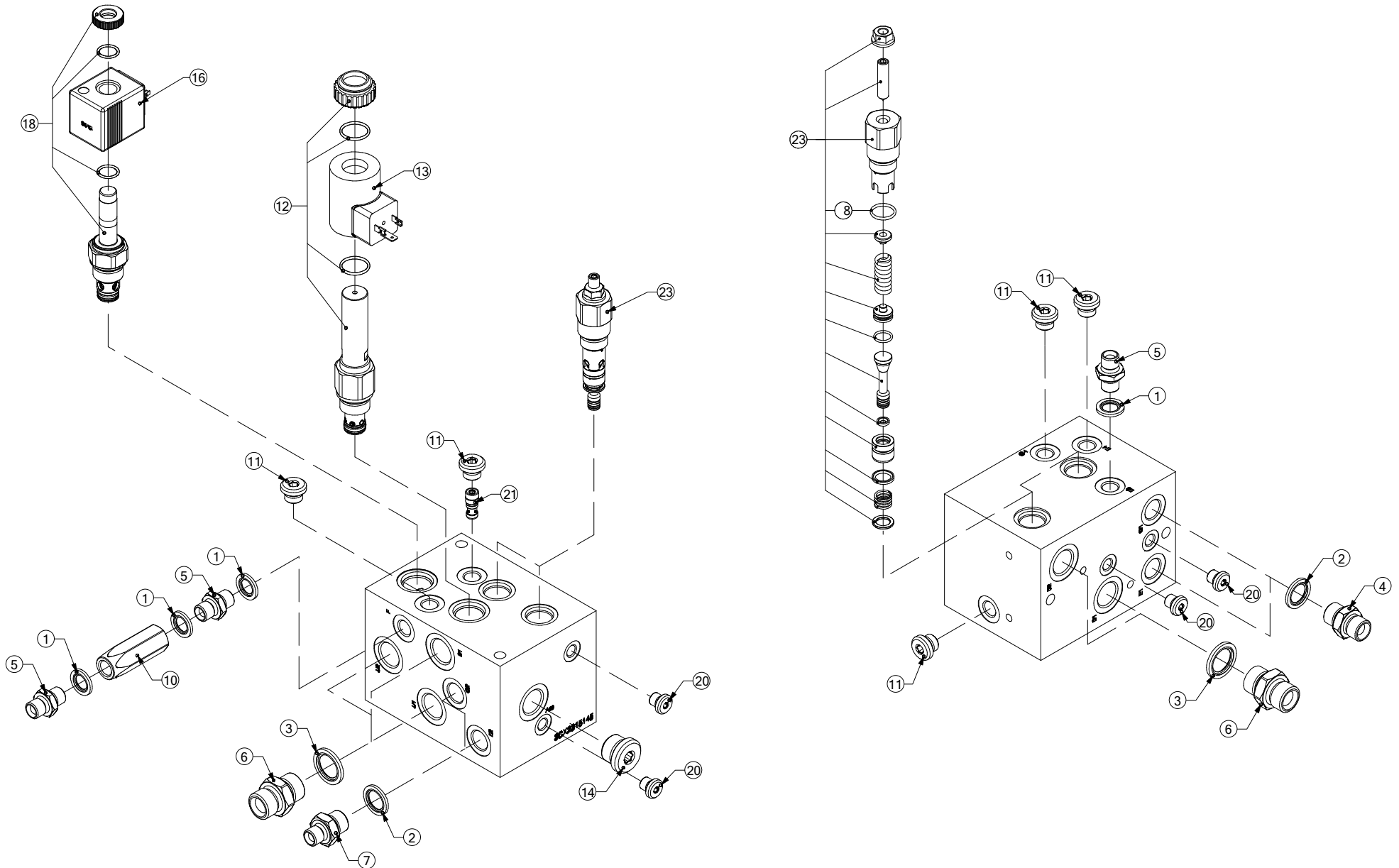
No.	Part No	Description	Qty
1	CVA00351	VALVE KNIFE/FLOOR CTRL FUSION2 <i>WALVOIL - USED ON ALL MACHINES (EXCEPT FUS 3 SERIAL No 657543 TO 667660 & VARIO SERIAL 900055 TO 900916)</i>	1
1	CVA00391	VALVE ASSY KNIFE/FLOOR F3 SIN <i>HYDRAFORCE - ONLY USED ON FUS 3 SERIAL No 657543 TO 667660 & VARIO SERIAL 900055 TO 900916</i>	NA
2	CVA00580	VALVE DBL BLOCK 2-POS 3-WAY NC <i>DOES NOT INCLUDE ITEM 5</i>	1
5	CEL00605	SOLENOID CONNECTOR 3-WAY EARTH <i>SOLD SEPARATELY</i>	1
8	CVA00557	BLANKING CAP (OLEOSTAR) <i>WALVOIL ONLY</i>	1
9	CHY00053	WASHER DOWTY 1/2"	1
10	CHY02013	ADAPTOR 1/2" BSP M/M	1
11	CVA00304	BSP 1/2 PLUG <i>WALVOIL ONLY</i>	1
12	CVA00243	CHECK VALVE CARTRIDGE FOR TIP <i>WALVOIL ONLY</i>	2
12	CVA00450	PO CHECK HYDRAFORCE 270PSI <i>HYDRAFORCE ONLY</i>	2
13	CVA00582	PISTON <i>WALVOIL ONLY</i>	2
14	CHY02010	ADAPTOR 1/4" BSP M/M <i>USED ON FUS 3 SERIES UP TO SERIAL No 667660 & FUSION VARIO UP TO SERIAL No 900916</i>	5
14	CHY02032	ADAPTOR 1/4 M 3/8 M <i>USED ON FUS 3 SERIES FROM SERIAL No 667661 & FUSION VARIO FROM SERIAL No 900917</i>	5
15	CHY00015	WASHER DOWTY 1/4" <i>USED ON FUS 3 SERIES UP TO SERIAL No 667660 & FUSION VARIO UP TO SERIAL No 900916</i>	5
15	CHY00020	WASHER DOWTY 3/8 <i>USED ON FUS 3 SERIES FROM SERIAL No 667661 & FUSION VARIO FROM SERIAL No 900917</i>	5
16	CVA00176	PLUG BSP 1/4 ALLEN HD +SEAL <i>WALVOIL ONLY</i>	5

Valve knives & floor [Selectable] (701)



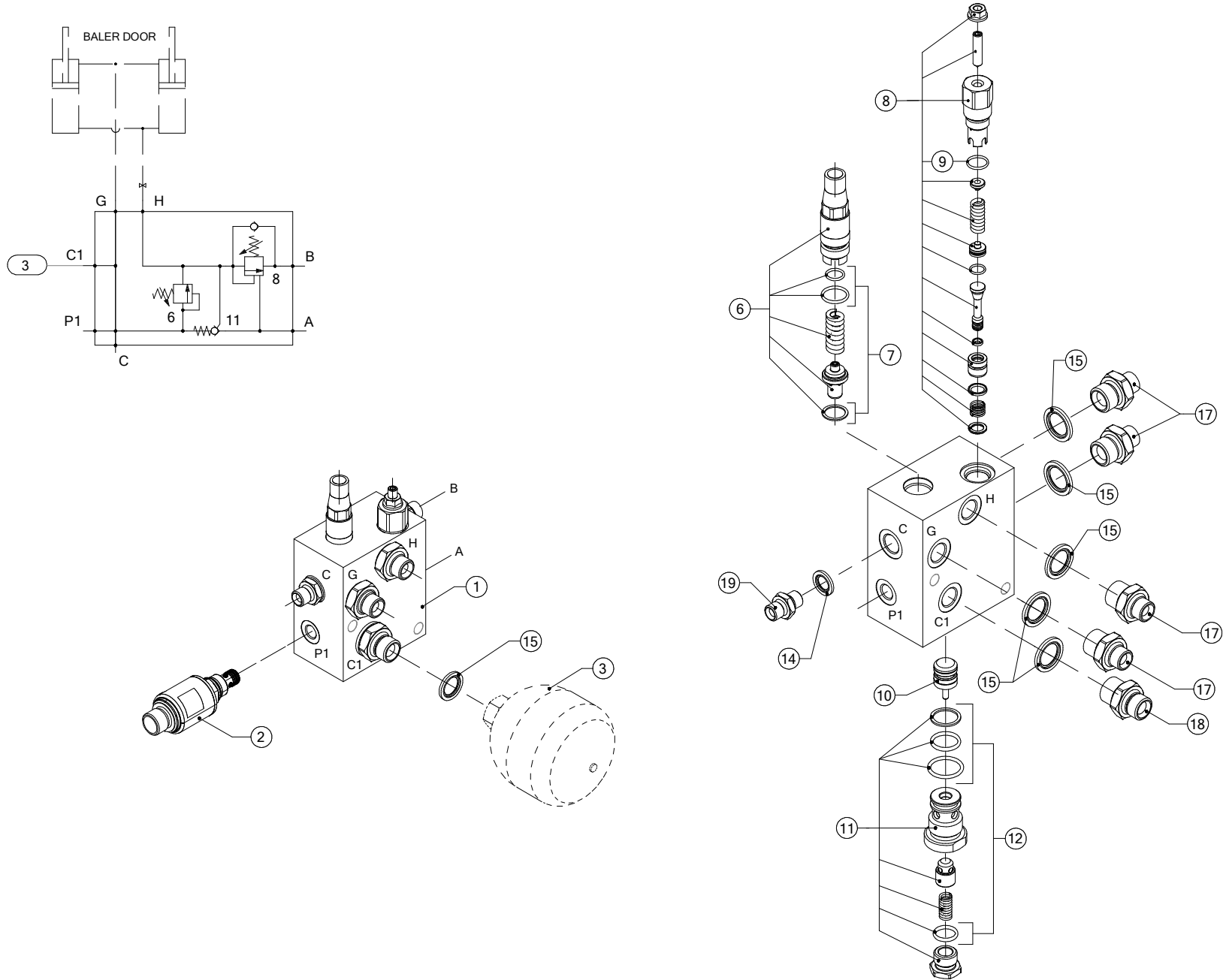
No.	Part No	Description	Qty
1	CVA00345	VALVE SELECT KNIFE OPTION CTRL <i>WALVOIL - USED ON ALL MACHINES (EXCEPT FUS 3 SERIAL No 663181 TO 667348 & VARIO SERIAL 900398 TO 900867)</i>	1
1	CVA00393	VALVE ASSY KNIFE/FLOOR F3 SELECT <i>HYDRAFORCE - ONLY USED ON FUS 3 FROM SERIAL No 663181 TO 667348 & VARIO FROM SERIAL 900398 TO 900867</i>	NA
2	CVA00580	VALVE DBL BLOCK 2-POS 3-WAY NC <i>DOES NOT INCLUDE ITEM 5</i>	1
5	CEL00605	SOLENOID CONNECTOR 3-WAY EARTH <i>SOLD SEPARATELY</i>	2
8	CVA00338	VALVE CTE DOUBLE CHECK NC <i>DOES NOT INCLUDE ITEM 5</i>	1
15	CHY02013	ADAPTOR 1/2" BSP M/M	2
16	CHY00053	WASHER DOWTY 1/2"	2
17	CVA00243	CHECK VALVE CARTRIDGE FOR TIP <i>WALVOIL ONLY</i>	2
17	CVA00450	PO CHECK HYDRAFORCE 270PSI <i>HYDRAFORCE ONLY ON FUSION 3 FROM SERIAL No 663181 & FUSION VARIO FROM SERIAL No 900398</i>	2
18	CVA00582	PISTON <i>WALVOIL ONLY</i>	2
19	CHY02010	ADAPTOR 1/4" BSP M/M <i>USED ON FUS 3 SERIES UP TO SERIAL No 667348 & FUSION VARIO UP TO SERIAL No 900867</i>	8
19	CHY02032	ADAPTOR 1/4 M 3/8 M <i>USED ON FUS 3 SERIES FROM SERIAL No 667349 & FUSION VARIO FROM SERIAL No 900868</i>	8
20	CHY00015	WASHER DOWTY 1/4" <i>USED ON FUS 3 SERIES UP TO SERIAL No 667348 & FUSION VARIO UP TO SERIAL No 900867</i>	8
20	CHY00020	WASHER DOWTY 3/8 <i>USED ON FUS 3 SERIES FROM SERIAL No 667349 & FUSION VARIO FROM SERIAL No 900868</i>	8
21	CVA00176	PLUG BSP 1/4 ALLEN HD +SEAL <i>REPLACES CHY02554</i>	2

Valve rotation & tip (970)



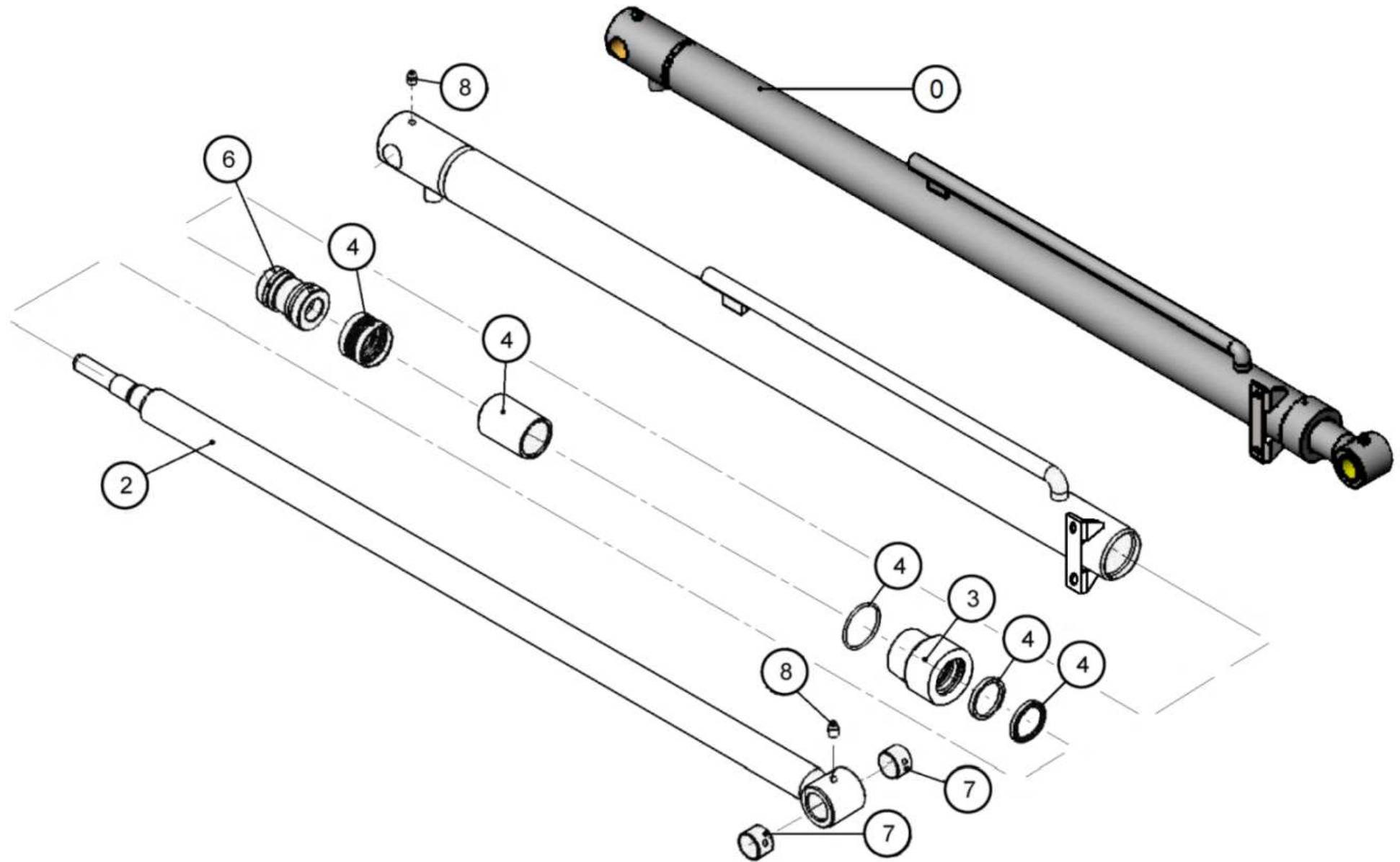
No.	Part No	Description	Qty
0	CVA00758	VALVE ASY ROTATION TIP FUSION	1
<i>REPLACES CVA00416 WHICH CAN ALSO BE USED AS AN ALTERNATIVE BUT NOT ON FUSION PLUS (INCL ITEMS 1 TO 23)</i>			
1	CHY00015	WASHER DOWTY 1/4	4
2	CHY00020	WASHER DOWTY 3/8	4
3	CHY00053	WASHER DOWTY 1/2	5
4	CHY02002	ADAPTOR 3/8 BSP M/M	2
5	CHY02010	ADAPTOR 1/4 BSP M/M	3
6	CHY02013	ADAPTOR 1/2 BSP M/M	5
7	CHY02032	ADAPTOR 1/4 M 3/8 M	2
8	CSE00164	O-RING 70 SH NBR 15.60X1.78	4
10	CVA00160	VALVE CHECK 1/4 0.4MM ORIFICE	1
11	CVA00176	PLUG BSP 1/4 ALLEN HD +SEAL	5
12	CVA00252	VALVE CTE ON/OFF NC EE10A20PB	1
13	CVA00253	COIL FOR CTE VALVE ON FUSION	1
14	CVA00304	BSP 1/2 PLUG	1
16	CVA00399	COIL 12VDC DIN BE-EC36	1
18	CVA00422	VALVE CTE ON/OFF SAE10 POPPET	1
<i>(NO ELECTRICAL CONNECTION TO THIS IF USED ON STANDARD FUSION 3 OR 4 MODELS)</i>			
20	CVA00553	BLANKING CAP 1/8" (OLEOSTAR)	4
21	CVA00558	SHUTTLE VALVE ASSY	1
23	CVA00668	VALVE ASM OVER CENTRE	4
<i>(USE CVA00559 IF PRIOR TO SERIAL No 662873 ON STANDARD FUSION 3 MODELS)</i>			

Valve chamber door (974)



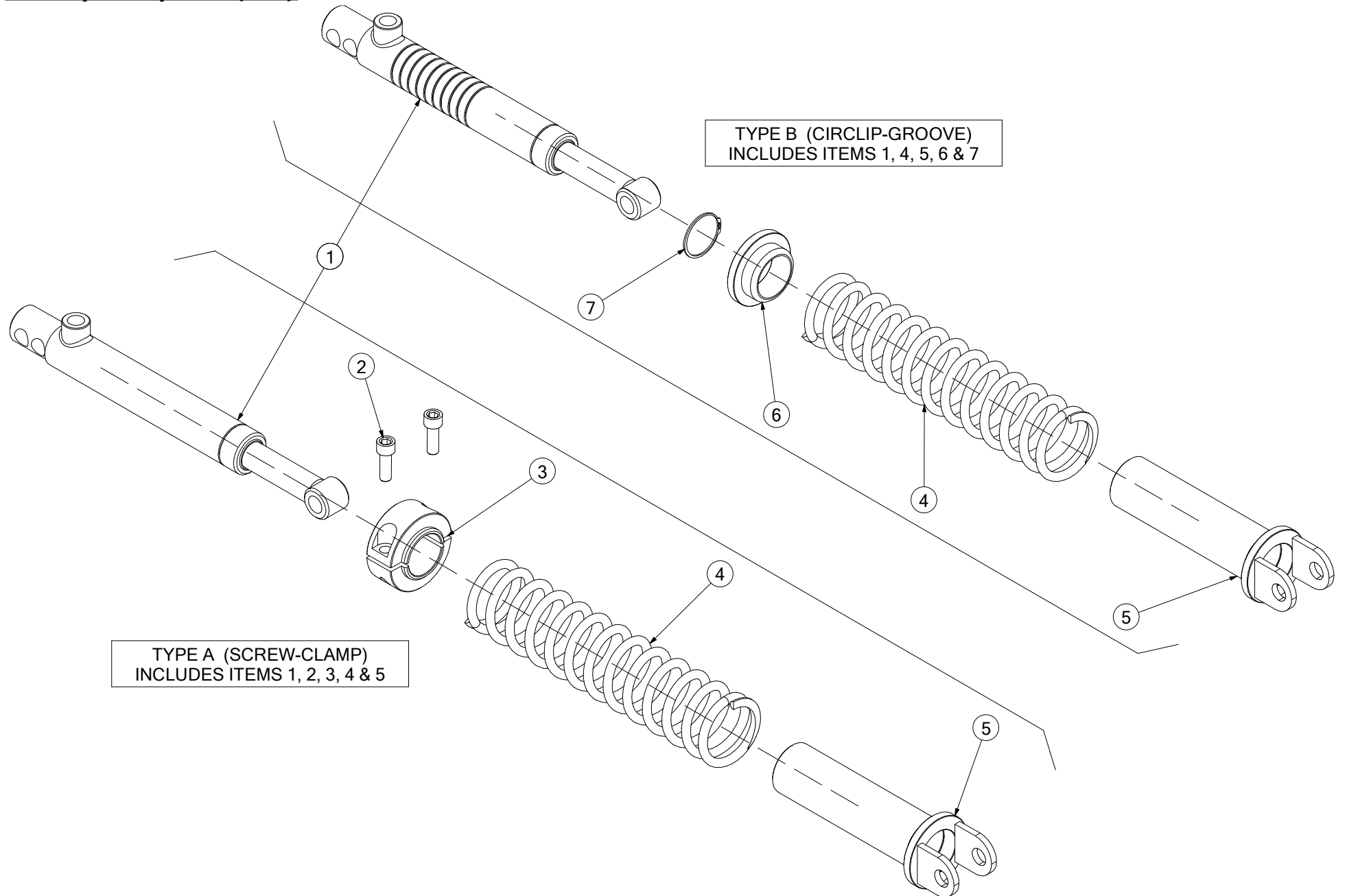
No.	Part No	Description	Qty
1	CVA00428	BALER DOOR VALVE C/W OVERCENTRE <i>FROM SERIAL No 659744 (ON FUSION PLUS MODELS) INCLUDES ITEMS 5 TO 19 [DOES NOT INCLUDE ITEMS 2 & 3]</i>	1
2	CEL00304	PRESSURE TRANSMITTER 0-250BAR M12 <i>MUST BE ORDERED SEPARATELY</i>	1
3	CVA00379	ACCUMULATOR 0.16L 75 BAR <i>MUST BE ORDERED SEPARATELY</i>	1
6	CVA00560	RELIEF VALVE ASSY	1
7	CSE00615	SEAL KIT FIXED RELIEF CVA00560 <i>INCLUDES 2x O-RINGS & COPPER WASHER CVA00270 FOR CVA00560</i>	1
7a	CVA00270	COPPER WASHER -RELIF CARTRIDGE <i>COPPER WASHER ONLY FOR CVA00560</i>	1
8	CVA00668	VALVE OVER CENTRE	1
9	CSE00164	O-RING 70 SH NBR 15.60X1.78	1
10	CVA00562	PISTON	1
11	CVA00269	CHECK VALVE CARTRIDGE	1
12	CSE00618	SEAL KIT CHECK VALVE CVA00269	1
14	CHY00020	WASHER DOWTY 3/8	1
15	CHY00053	WASHER DOWTY 1/2	6
17	CHY02008	ADAPTOR 1/2 M 3/8 M	4
18	CHY02013	ADAPTOR 1/2 BSP M/M	1
19	CHY02032	ADAPTOR 1/4 M 3/8 M	1

Rams chamber door (884)



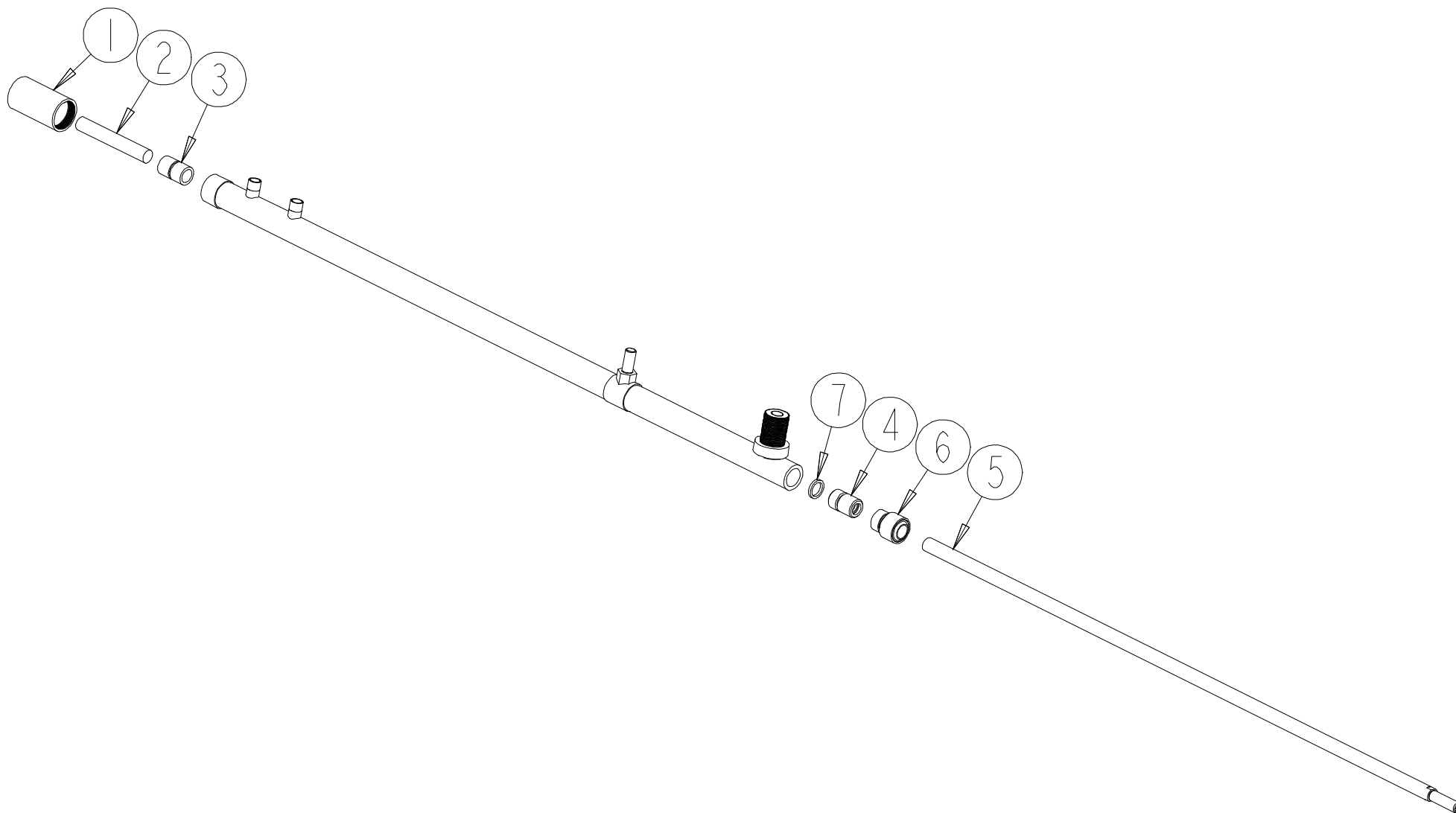
No. Part No	Description	Qty
0 CRA00264	HYDRAULIC RAM COMPLETE ASSEMBLY <i>USED UP TO SERIAL No 659743 (ALSO ORDER UWP00204 FOR MACHINES PRIOR TO SERIAL No 659050)</i>	2
0a UWP00204	ULTRASONIC SENSOR KIT FUSION 3 PLUS <i>CONVERTS TRANSDUCER TYPE RAM TO ULTRASONIC (INCL SOFTWARE) PRIOR TO SERIAL No 659050</i>	1
0 CRA00293	RAM 45X35X740 TOP DOOR FUSION 3 PLUS <i>USED FROM SERIAL No 659744 ONWARDS</i>	2
0b CSE00293	SEAL KIT 45X35 FOR CRA00293 <i>SEAL KIT 45X35 FOR CRA00293</i>	2
0c CEL00947	ULTRASONIC SENSOR, SN-300MM <i>ULTRASONIC SENSOR USED ON STD RAM CRA00264 ON RH SIDE OF MACHINE FROM SERIAL No 659050 (NOT SHOWN)</i>	1
2 CRA00008	RAM ROD FOR CRA00264 <i>REPLACEMENT PART FOR STANDARD RAM CRA00264 ONLY</i>	1
3 CRA00009	SEAL GLAND <i>REPLACEMENT PART FOR STANDARD RAM CRA00264 ONLY</i>	1
4 CSE00151	CUSHIONS & SEAL KITS FOR BOTH RAMS <i>THIS KIT CONTAINS CUSHIONS & SEALS FOR 2 RAMS OF EITHER TYPE</i>	1
6 CRA00013	SEAL GLAND <i>REPLACEMENT PART FOR STANDARD RAM CRA00264 ONLY</i>	1
7 CBR00040	BEARING GLACIER PM 2520 DX	2
8 CFA00590	GREASE NIPPLE 1/8" BSP ST	2

Rams pick-up reel (182)



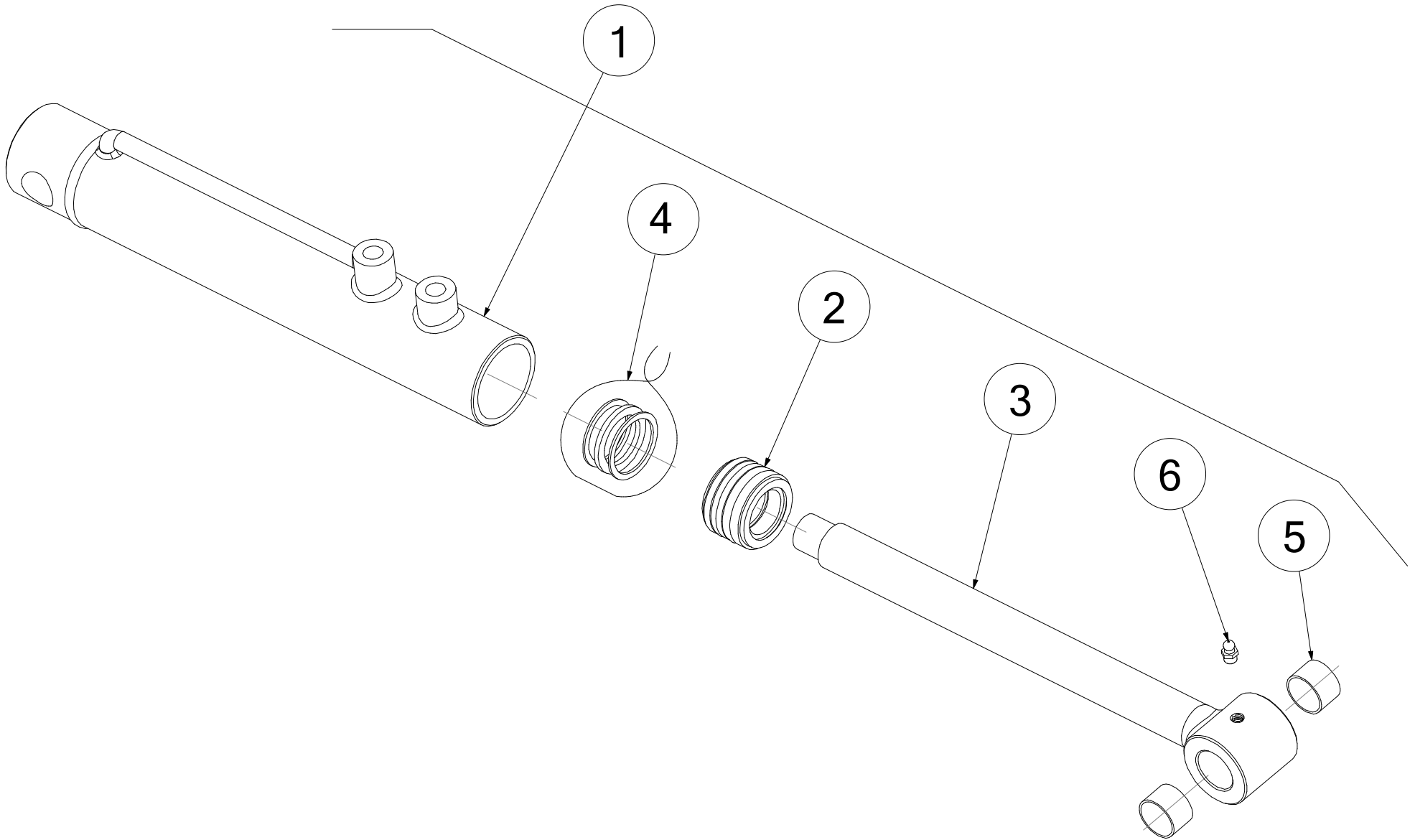
No.	Part No	Description	Qty
1	CRA00186	RAM PICKUP BALER	1
<i>COMPLETE RAM ASSEMBLY (MAY BE TYPE A OR TYPE B) CAN ALSO USE CRA00292 AS A DIRECT REPLACEMENT</i>			
1	CRA00292	RAM PICK UP REEL (CAMLESS)	1
<i>MUST BE USED WITH CAMLESS PICK-UP UP TO SERIAL No 666752 (FUSION 3), 715036 (F5), 808665 (V6) & 900802 (VARIO)</i>			
1	CRA00296	RAM PICK UP (CAMLESS) 2020	1
<i>MUST BE USED WITH CAMLESS PICK-UP FROM SERIAL No 666753 (FUSION 3), 715037 (F5), 808666 (V6) & 900803 (VARIO)</i>			
2	CFA00602	SETSCREW M10X30 SOC CAP Z/P	2
<i>RAM TYPE A ONLY</i>			
3	ACH00405	SPRING RETAINER RAM PICKUP	1
<i>RAM TYPE A ONLY</i>			
4	CSG00037	SPRING COMP 8X67X300X14	1
5	ACH00404	SPRING RETAINER PICKUP	1
6	CPT00073	SPRING RETAINER FOR CRA00186	1
<i>RAM TYPE B ONLY</i>			
7	CFA00551	CIRCLIP 40MM EXTERNAL	1
<i>RAM TYPE B ONLY</i>			

Rams cut & hold (549)



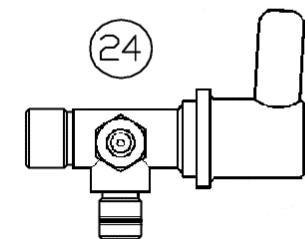
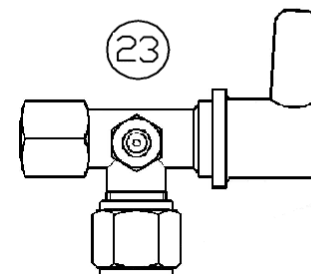
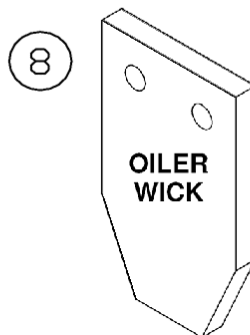
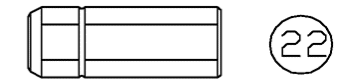
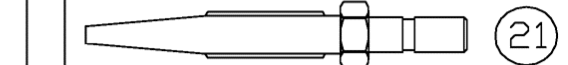
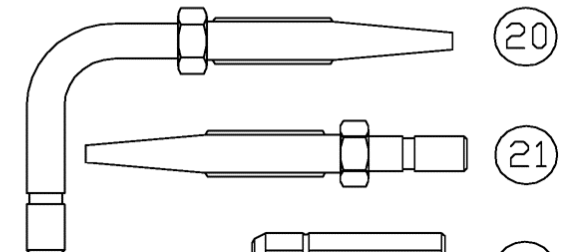
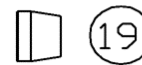
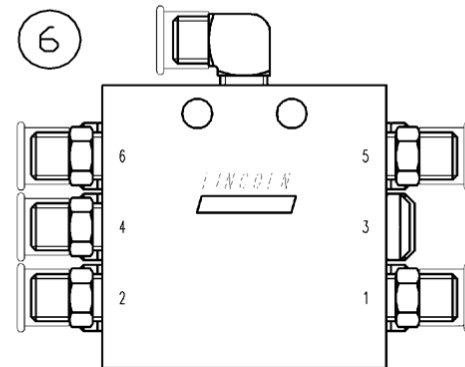
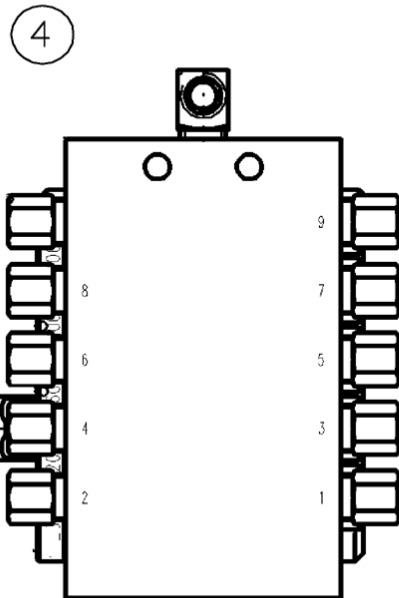
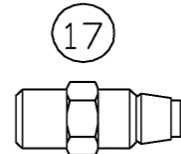
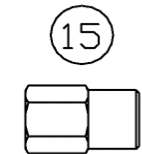
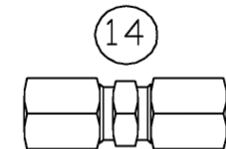
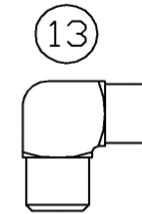
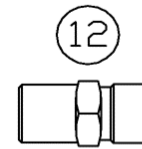
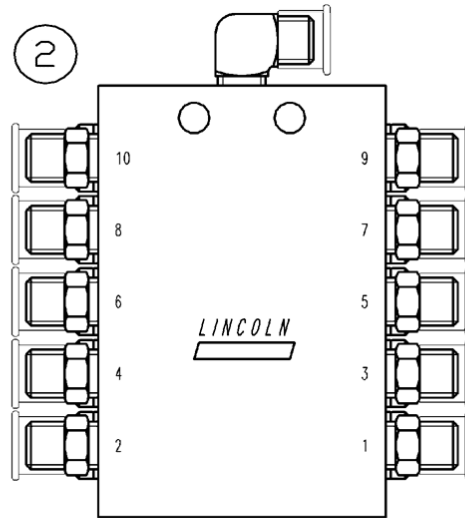
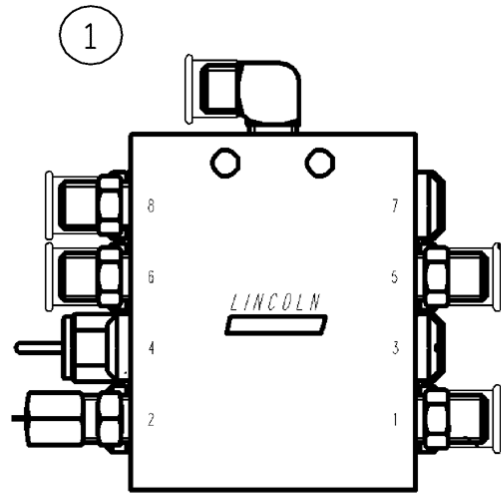
No.	Part No	Description	Qty
0	CRA00074	RAM CUT & HOLD COMPLETE	2
1	CRA00106	GLAND FOR CRA00074 BOTTOM	1
2	CRA00104	RAM ROD BOTTOM FOR CRA00074	1
3	CRA00102	RAM PISTON FOR CRA00074 BOTTOM	1
4	CRA00101	RAM PISTON FOR CRA00074 TOP	1
5	CRA00103	RAM ROD TOP FOR CRA00074	1
6	CRA00105	SEAL GLAND TOP FOR CRA00115	1
7	CSE00074	SEAL KIT RAM CUT&HOLD	1

Rams bale tip cradle (551)



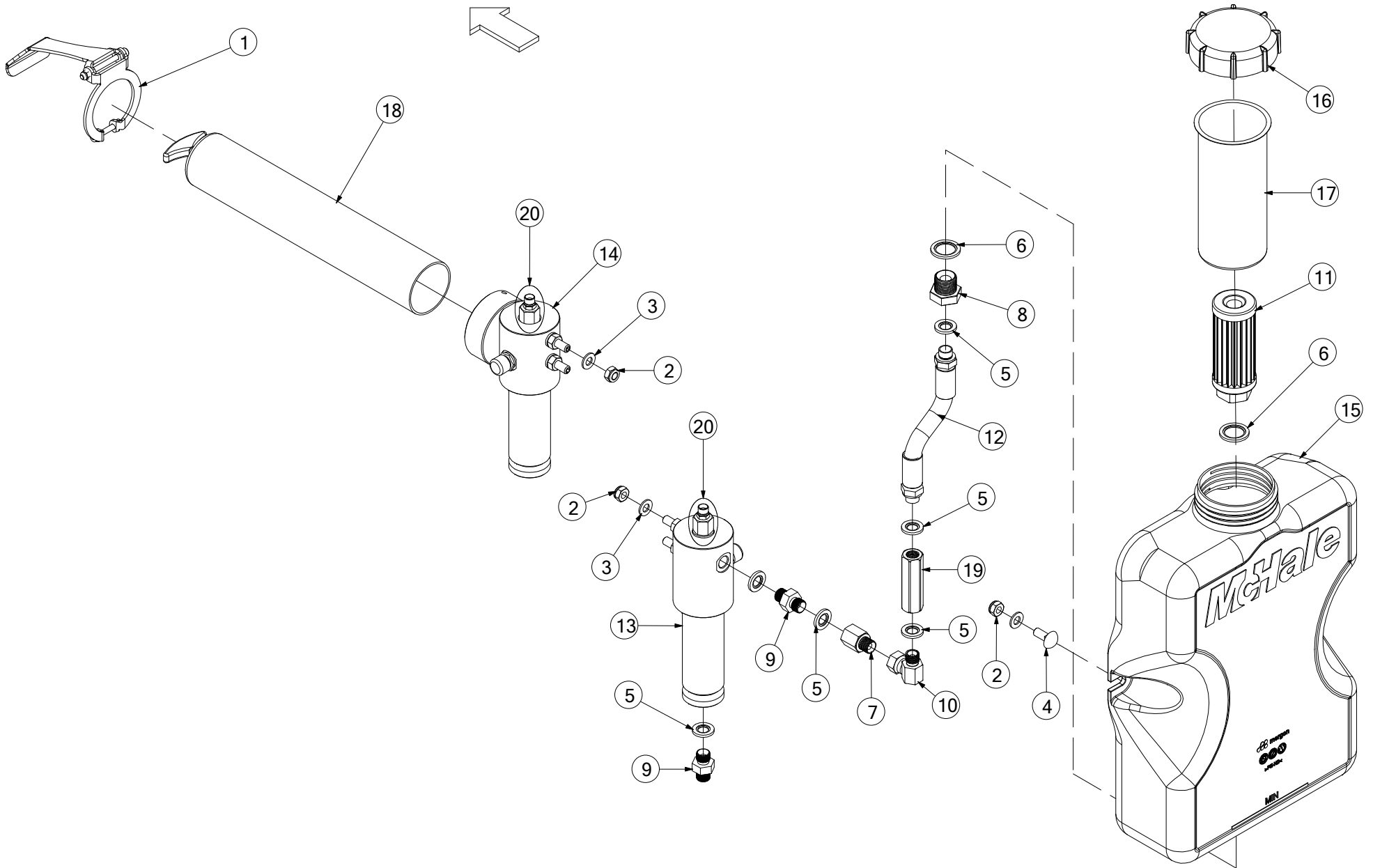
No.	Part No	Description	Qty
1	CRA00558	RAM 50X30X228 ROLLER TIP CRADLE FUSION	1
<i>COMPLETE ASM (INCLUDES ITEMS 2, 3, 4, 5 & 6)</i>			
2	CRA00585	CRADLE RAM CAP FUSION 2	1
3	CRA00586	CRADLE RAM ROD FUSION 2	1
4	CSE00623	SEAL KIT FOR RAM CRA00558	1
<i>INCLUDES INSTRUCTIONS</i>			
5	CBR00040	BEARING GLACIER PM 2520 DX	2
6	CFA00118	GREASE NIPPLE M8X1.25 STRAIGHT	1

Oil & Grease systems 1&2 (1480)



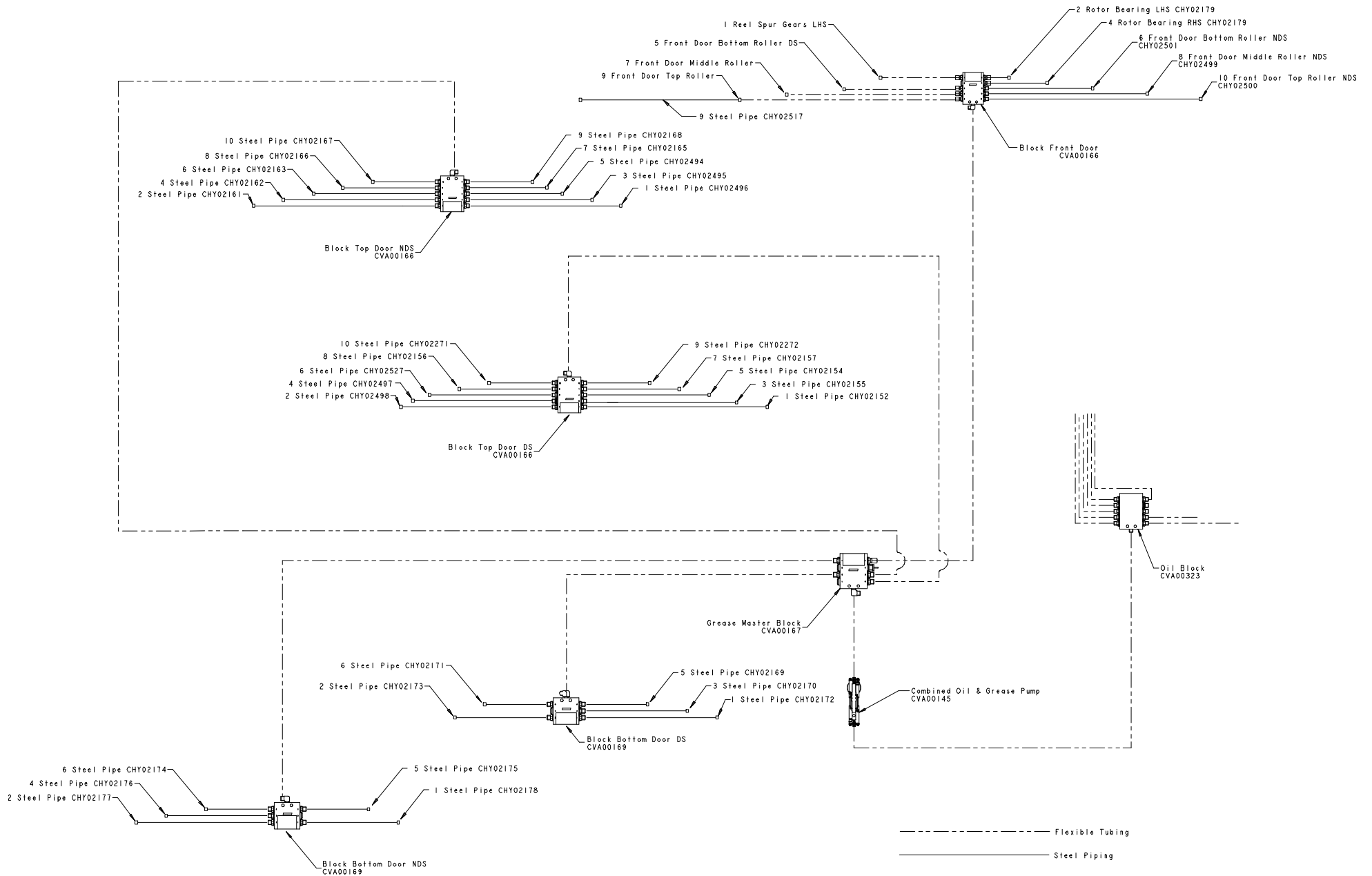
No.	Part No	Description	Qty
1	CVA00167	8-WAY MASTER GREASE BLOCK	1
2	CVA00166	10-WAY GREASE BLOCK	3
4	CVA00323	10-WAY MASTER OIL BLOCK	1
6	CVA00169	6-WAY GREASE BLOCK	2
8	CHY01061	OIL WICK KIT FULL BALER RANGE	1
<i>CONTAINS 4 SEPARATE WICKS FOR ANY MCHALE BALER MODEL (REPLACES CHY00609 SINGLE WICK)</i>			
12	CFA00549	6LL FITTING STRAIGHT	1
13	CFA00543	6LL FITTING ELBOW	1
14	CFA00681	6LL UNION (COMPLETE)	1
15	CFA00682	COMPRESSION NUT	1
16	CFA00544	6LL COUPLING NUT	1
17	CFA00648	CHECK VALVE	1
18	CFA00683	BRASS OLIVE	1
19	CFA00545	STEEL OLIVE	1
20	CHY02323	HOSE STUD ELBOW	1
21	CHY02324	HOSE STUD STRAIGHT	1
22	CHY02325	THREADED SLEEVE	1
23	CHY02612	VALVE SVTE MANUAL GREASE NIPPLE	1
24	CHY02986	VALVE SVTS-350-R1/8 MANUAL GREASE NIPPLE	1

Oil & Grease Systems 3 (1458)



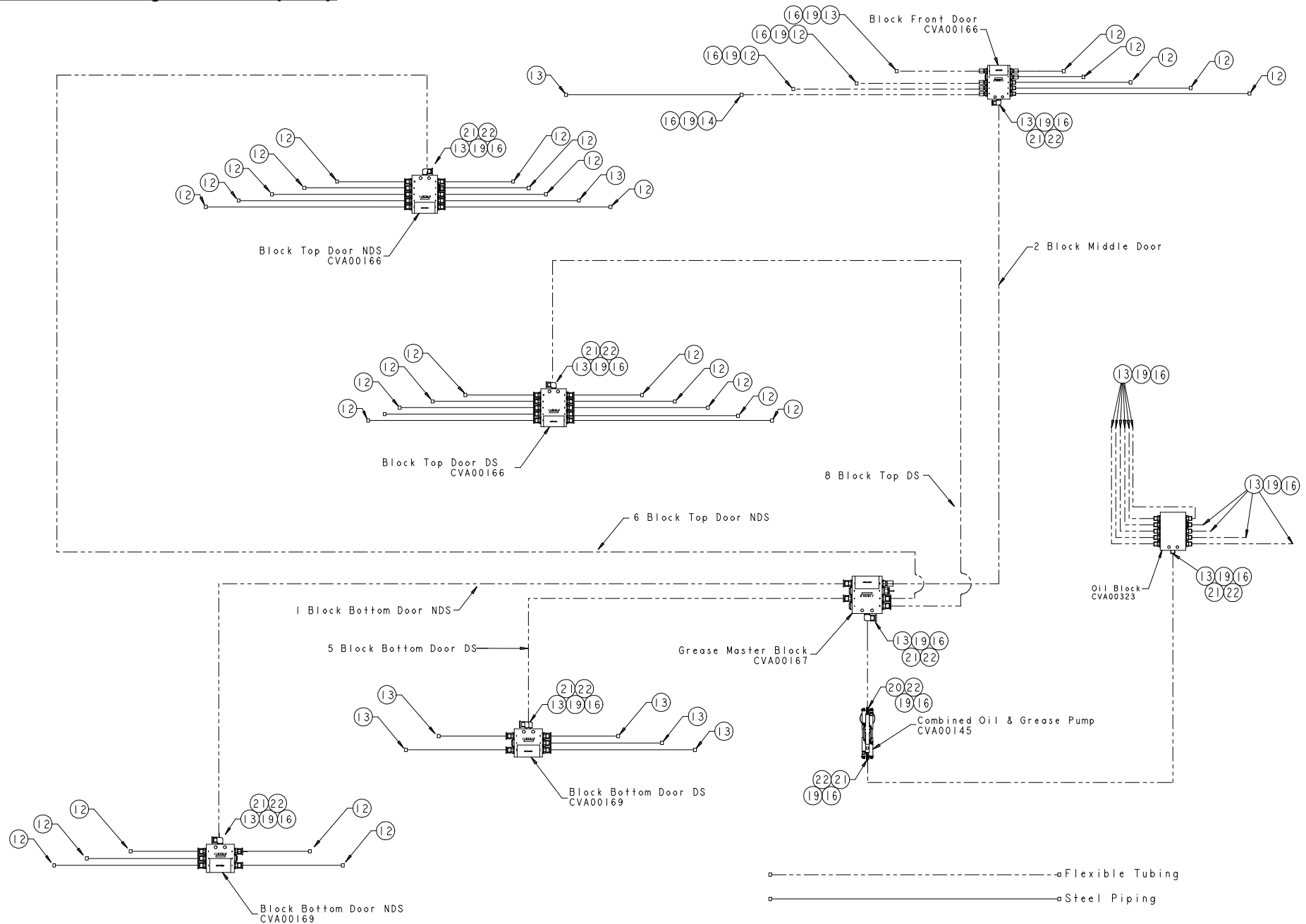
No.	Part No	Description	Qty
1	ART00351	GREASE GUN STOP ASSY	1
2	CFA00132	NUT M8 NYLOC Z/P	6
3	CFA00147	WASHER FLAT 8MM Z/P	6
4	CFA00506	SETSCREW M8X20 CUPHEAD SQ ZP	2
5	CHY00015	WASHER DOWTY 1/4"	6
6	CHY00053	WASHER DOWTY 1/2"	2
7	CHY00108	ADAPTOR 1/4" BSP M/F L20	1
8	CHY01409	1/2" M X 1/4" F FIXED ADAPT	1
9	CHY02010	ADAPTOR 1/4" BSP M/M	2
10	CHY02018	ADAPTOR 1/4" M/F 90DEG	1
11	CHY02330	1/2" ST SUCTION STRAINER	1
12	CHY03226	10510-06-04/50010/10510-06-04-125MM	1
13	CMT00556	OIL LUBE PUMP SPRING TYPE	1
14	CMT00557	GREASE LUBE PUMP SPRING TYPE	1
15	CPL00323	MCHALE 8LTR OIL RESERVOIR ASSEM	1
<i>INCLUDES ITEMS 16 & 17</i>			
16	CPL00394	MCHALE CHAIN OIL RESERVOIR LID	1
17	CPL00395	MCHALE OIL RESERVOIR FILTER	1
18	CVA00184	GREASE GUN CARTRIDGE HOUSING	1
19	CVA03111	VALVE NON-RET 1/4" 0 BAR	1
20	CVA00383	CHECK VALVE GREASE PUMP OUTLET	2

Oil & Grease systems 4 (555)



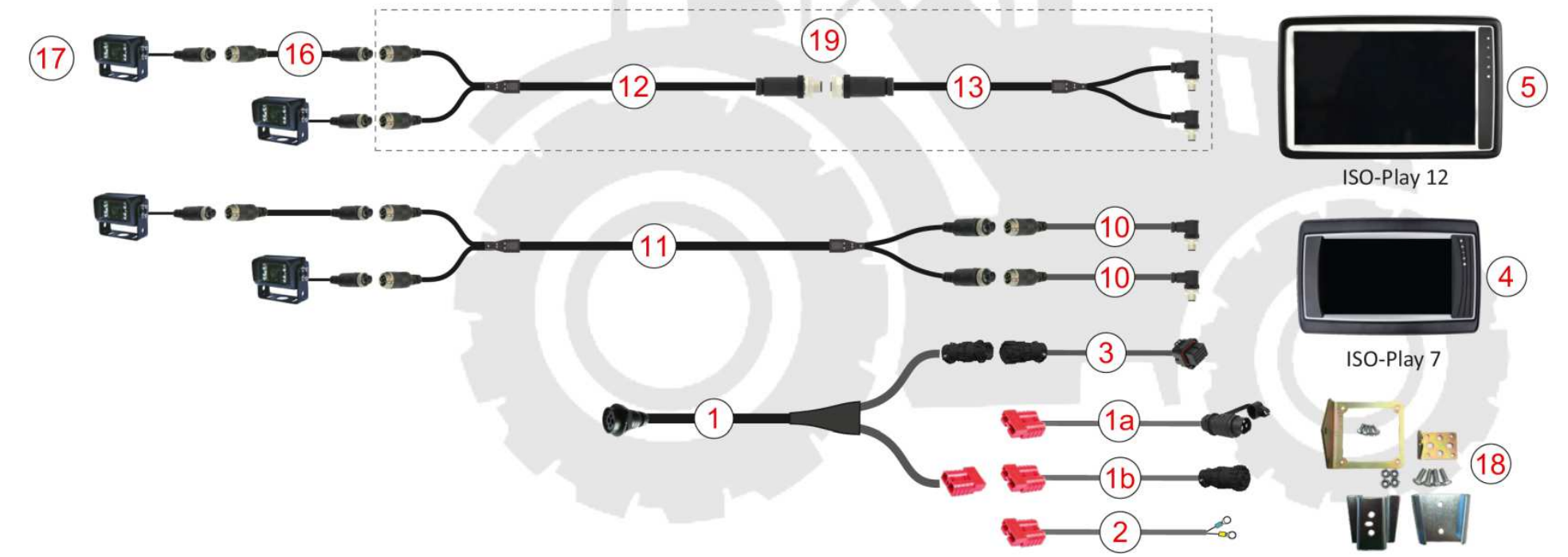
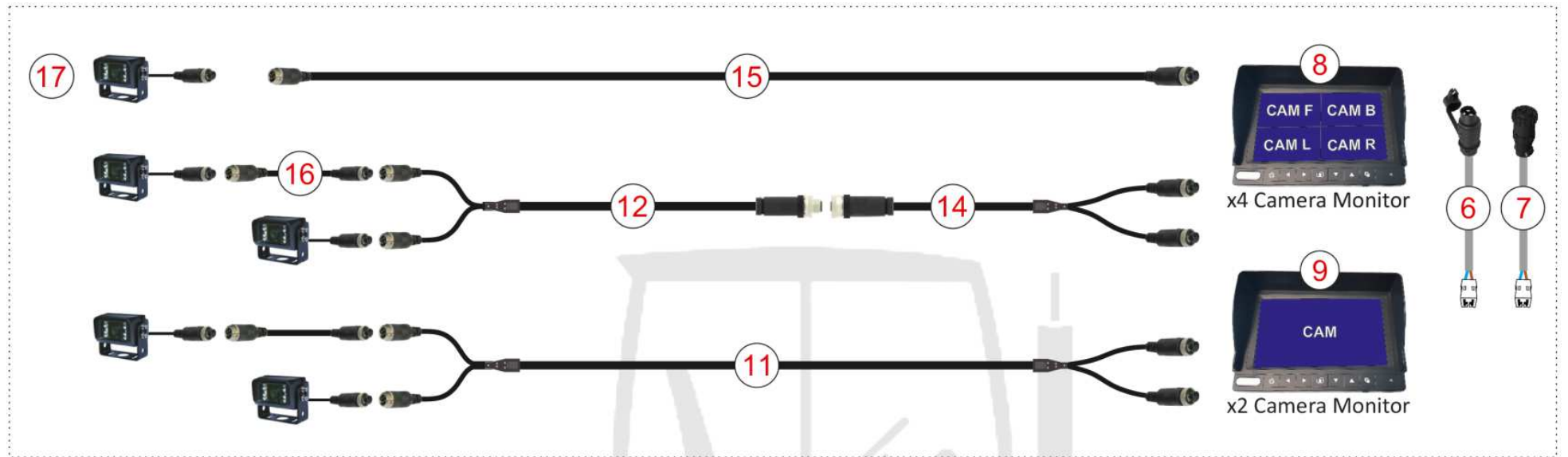
No. Part No	Description	Qty
	CVA00323 OIL BLOCK	0
Ports Part Code	Description	0
1to10 CFA00682	COMPRESSION NUT	10
CFA00683	BRASS OLIVE	10
	CVA00167 GREASE MASTER BLOCK	0
Ports Part Code	Description	0
1,2,5, CFA00648	CHECK VALVE	5
CFA00545	STEEL OLIVE	5
CFA00544	COUPLING NUT	5
CHY02324	HOSE STUD STRAIGHT	5
CHY02325	THREADED SLEEVE	5
	CVA00166 BLOCK FRONT DOOR	0
Ports Part Code	Description	0
1&2, 4CFA00648	CHECK VALVE	9
CFA00545	STEEL OLIVE	9
CFA00544	COUPLING NUT	9
	CVA00166 BLOCK TOP DOOR DS	0
Ports Part Code	Description	0
1to10 CFA00648	CHECK VALVE	10
CFA00545	STEEL OLIVE	10
CFA00544	COUPLING NUT	10
	CVA00166 BLOCK TOP DOOR NDS	0
Ports Part Code	Description	0
1 to 1 CFA00648	CHECK VALVE	10
CFA00545	STEEL OLIVE	10
CFA00544	COUPLING NUT	10
	CVA00169 BLOCK BOTTOM DOOR DS	0
Ports Part Code	Description	0
1,2,3, CFA00648	CHECK VALVE	5
CFA00545	STEEL OLIVE	5
CFA00544	COUPLING NUT	5
	CVA00169 BLOCK BOTTOM DOOR NDS	0
Ports Part Code	Description	0
1,2,4, CFA00648	CHECK VALVE	5
CFA00545	STEEL OLIVE	5
CFA00544	COUPLING NUT	5

Oil & Grease systems 5 (556)



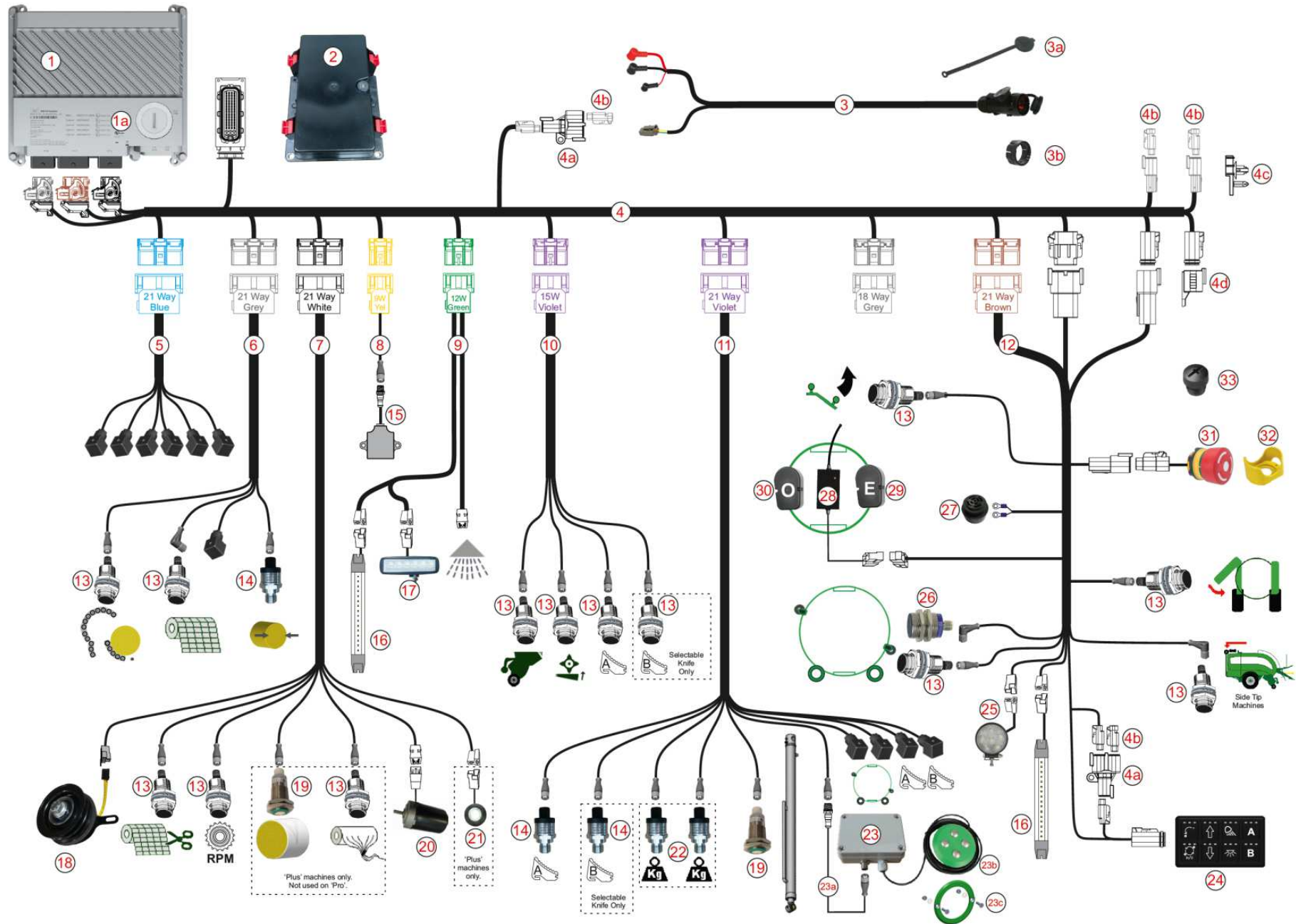
No.	Part No	Description	Qty
12	CFA00549	6LL FITTING STRAIGHT	0
13	CFA00543	6LL FITTING ELBOW	0
14	CFA00681	6LL UNION (COMPLETE)	0
16	CFA00544	6LL COUPLING NUT	0
19	CFA00545	STEEL OLIVE	0
20	CHY02323	HOSE STUD ELBOW	0
21	CHY02324	HOSE STUD STRAIGHT	0
22	CHY02325	THREADED SLEEVE	0

ISOBUS Control 1 [From Serial No 670000] (1425)



No.	Part No	Description	Qty
1	KST00190	ISOBUS TRACTOR LOOM KIT EUROPE <i>(INCLUDES ITEM 1a)</i>	1
1	KST00192	ISOBUS TRACTOR LOOM KIT USA & CAN <i>USA & CANADA MACHINES ONLY (INCLUDES ITEM 1b)</i>	1
1a	CEL00980	HEAVY DUTY EURO LEAD MK2	1
1b	CEL01580	ISOCAN POWER LEAD HD USA & CAN <i>USA & CANADA MACHINES ONLY</i>	1
2	CEL00979	BATTERY POWER LEAD MK2	1
3	CEL01730	ISO-PLAY ISOBUS TERMINAL LOOM	1
3	CEL01963	ISO-PLAY TERMINAL LOOM + USB SOCKET	1
4	KST00179	ISO-PLAY 7 ISOBUS TERMINAL KIT <i>INCLUDES CEL01721, 2x CEL01729, CEL01730 & KST00178</i>	1
4a	CEL01721	ISO-PLAY 7 ISOBUS TERMINAL	1
4b	CEL02056	ISO-PLAY 7 TERMINAL RECON <i>RECON UNIT FOR REPLACEMENTS ONLY</i>	1
4c	CEL02134	ISO-PLAY REPLACEMENT SPEAKER <i>REPLACEMENT SPEAKER FOR ISO-PLAY 7 TERMINAL</i>	1
5	KST00180	ISO-PLAY 12 ISOBUS TERMINAL KIT <i>INCLUDES CEL01728, 2x CEL01729, CEL01730 & KST00178</i>	1
5a	CEL01728	ISO-PLAY 12 ISOBUS TERMINAL	1
5b	CEL02057	ISO-PLAY 12 TERMINAL RECON <i>RECON UNIT FOR REPLACEMENTS ONLY</i>	1
5c	CEL02134	ISO-PLAY REPLACEMENT SPEAKER <i>REPLACEMENT SPEAKER FOR ISO-PLAY 12 TERMINAL</i>	1
6	CEL00064	LOOM COBO WHITE CON EURO LEAD	1
7	CEL01581	POWER LEAD USA <i>NORTH AMERICA ONLY</i>	1
8	CEL01655	QUAD CAMERA MONITOR	1
9	CEL01506	CAMERA MONITOR	1
10	CEL01729	ISO-PLAY ISOBUS TERMINAL CAMERA ADAPTER <i>USED TO CONNECT CEL01550 OR CEL01739 OR CEL02094 TO AN ISO-PLAY TERMINAL</i>	2
11	CEL01739	TWIN CAMERA CABLE 10M <i>CONNECTS DIRECTLY INTO CAMERA MONITOR & 2 CAMERAS</i>	1
12	CEL02092	DUAL CAMERA LEAD 8PIN M12 (7.5M) <i>CONNECTS BETWEEN 2 CAMERAS & CEL02093 (USE KST00234 FOR MACHINES BETWEEN SERIAL No 670000 & 670318)</i>	1
13	CEL02093	ISOPLAY DUAL CAMERA SPLITTER <i>CONNECTS BETWEEN ISO-PLAY TERMINAL & CEL02092 (USE KST00234 FOR MACHINES SERIAL No 670000 & 670318)</i>	1
14	CEL02094	UNIVERSAL DUAL CAMERA SPLITTER <i>CONNECTS BETWEEN CEL02092 & CAMERA MONITOR</i>	1
15	CEL01550	CAMERA EXTENSION CABLE 10M <i>CONNECTS DIRECTLY INTO CAMERA MONITOR & CAMERA</i>	1
16	CEL01556	CAMERA EXTENSION CABLE 3M	1
17	CEL01533	COLOUR CAMERA MK2	2
18	KST00178	ISOBUS MOUNTING BRACKET KIT	1
19	KST00234	SPLIT CAMERA LEAD KIT <i>(INCLUDES ITEMS 12 & 13) MUST BE USED FOR ALL MACHINES BETWEEN SERIAL No 670000 & 670318</i>	1

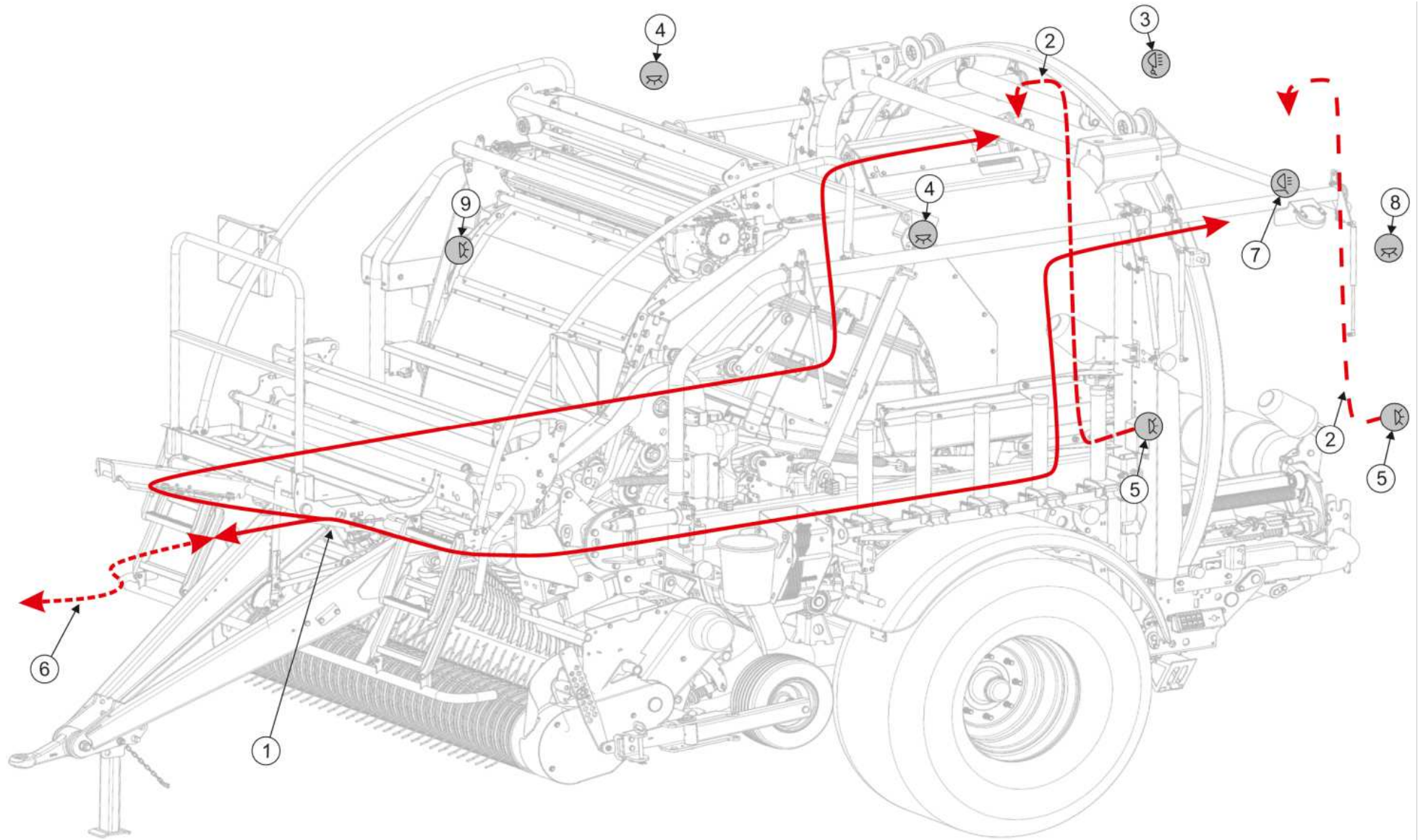
ISOBUS Control 2 (1457)



No.	Part No	Description	Qty
1	CEL01784	X90 ECU, 4 OPTION BOARDS	1
1a	CEL02053	X90 USB ACCESS COVER	1
2	CEL01789	X90 POWER BOX M-PLUS	1
3	CEL01809	ISOBUS POWER BOX M-PLUS LOOM	1
<i>(INCLUDES ITEMS 3a & 3b)</i>			
3a	CEL01697	ISOBUS SEALING CAP FOR IBIC	1
3b	CEL02152	ISOBUS IMPLEMENT CONNECTOR LOCK RING	1
4	CEL02141	FBW/VBW MAIN LOOM MK2	1
<i>(INCLUDES ITEMS 4a, 4b, 4c & 4d)</i>			
4a	CEL01908	DEUTSCH DTM 2W Y-SPLITTER	2
4b	CEL01909	DEUTSCH DTM 2-WAY PLUG TERM RES	4
<i>120 OHM TERMINATING RESISTOR FOR CANBUS</i>			
4c	CEL01961	DEUTSCH MOUNTING CLIP FIRTREE BLACK	5
4d	CEL02090	DEUTSCH DT 4W PLUG DUST CAP	1
5	CEL02012	FBW MAIN VALVE BLOCK LOOM	1
<i>21 WAY BLUE CONNECTOR</i>			
6	CEL02015	FBW CHAMBER LOOM	1
<i>21 WAY GREY CONNECTOR</i>			
7	CEL02013	FBW TOP DOOR LOOM	1
<i>21 WAY WHITE CONNECTOR</i>			
8	CEL02022	FBW INCLINOMETER LOOM	1
<i>9 WAY YELLOW CONNECTOR</i>			
9	CEL02018	FBW LIGHTS/AUX LOOM	1
<i>12 WAY GREEN CONNECTOR</i>			
10	CEL02017	FBW SEL CHOPPER UNIT LOOM	1
<i>15 WAY VIOLET CONNECTOR</i>			
11	CEL02016	FBW LOWER VALVE BLOCKS LOOM	1
<i>21 WAY VIOLET CONNECTOR</i>			
12	CEL02142	FBW/VBW REAR LOOM MK2	1
<i>21 WAY BROWN CONNECTOR (INCLUDES ITEMS 4a, 4b & 4c)</i>			
13	CEL00767	SENSOR M18 PROX M12 PLUG	13
<i>QTY MAY VARY DEPENDING ON SPECIFIC MACHINE OPTIONS</i>			
14	CEL01782	PRESSURE SENSOR 0-250BAR 4-20MA	5
<i>QTY MAY VARY DEPENDING ON SPECIFIC MACHINE OPTIONS</i>			
15	CEL01954	INCLINOMETER, 1 AXIS, 4-20MA	1
16	CEL01763	LED PANEL LIGHT	2
17	KST00228	REAR WORK LIGHT KIT FUSION	1
<i>INCLUDES LIGHT, MTG BRACKET & FASTENERS</i>			
17a	CEL00849	FIELD LAMP, LED	1
<i>LIGHT ONLY - BRACKETS OR FASTENERS NOT INCLUDED</i>			
18	CEL00259	MAGNETIC CLUTCH UNIT 12V	1
19	CEL00947	ULTRASONIC SENSOR, SN-300MM	2
20	CEL00991	MOTOR 12VOLT 2000RPM	1
21	CEL01818	NRF CHAMBER LED	1
22	KST00229	X90 WEIGHING KIT	1
<i>INCLUDES 2x ITEM 14 (CEL01782) & UNLOCK CODE</i>			
23	KST00220	INTEGRATED MOISTURE SSR KIT	1
<i>INCLUDES ITEMS 23a, 23b & 23c</i>			
23a	CEL02087	M12 EXTENSION CABLE 2M 3POLE C/W CONDUIT	1
23b	CEL01589	MOISTURE SENSOR PAD	1
23c	KST00200	MOISTURE SENSOR PAD PROTECTOR KIT	1
<i>FASTENERS INCLUDED (PREVENTS RAPID WEAR OF MOISTURE SENSOR PAD)</i>			

24	CEL01904	CANBUS KEYPAD 2X4	1
25	CEL01529	LED WORK LAMP	1
<i>LIGHT ONLY - BRACKETS OR FASTENERS NOT INCLUDED</i>			
26	CEL00768	SENSOR M30 PROX M12 PLUG	1
27	CEL00796	WARNING BUZZER SINGLE TONE	1
28	CEL00230	RECEIVER 433 COMPLETE ASY	1
29	CEL01780	TRANSMITTER MK2 EVEN/GEAR COVER	1
<i>COMPLETE ASSEMBLY (REPLACES CEL00221)</i>			
29a	CEL01610	BATTERY FILM TRANSMITTER MK2	1
29b	CGD00465	TRANSMITTER MK2 PLASTIC HOUSING	1
30	CEL01781	TRANSMITTER MK2 ODD/GEAR COVER	1
<i>COMPLETE ASSEMBLY (REPLACES CEL00222)</i>			
30a	CEL01610	BATTERY FILM TRANSMITTER MK2	1
30b	CGD00465	TRANSMITTER MK2 PLASTIC HOUSING	1
31	CEL02021	E-STOP ASSY, 2NC, DEUTSCH	1
32	CEL00930	EMERGENCY STOP PROTECTIVE SHROUD	1
<i>FASTENERS NOT INCLUDED - IF REQUIRED ORDER 32a, 32b & 32c SEPARATELY</i>			
32a	CFA00083	WASHER FLAT 4MM Z/P	2
32b	CFA00392	NUT M4 NYLOC	2
32c	CFA00343	SETSCREW M4X20 PAN HEAD ZP	2
33	CEL01366	M12 BLANKING PLUG FEMALE	1
<i>USED TO BLANK OFF ANY UNUSED SENSOR CONNECTORS</i>			

Electrical Lighting (1460)



No.	Part No	Description	Qty
1	CEL00958	FUSION MAIN LIGHTING LOOM	1
2	CEL00804	PANEL EXT LIGHTING LOOM FUSION	2
3	KST00228	REAR WORK LIGHT KIT FUSION	1
<i>OPTIONAL (CONNECTED TO LIGHTS/AUX LOOM)</i>			
3a	CEL00849	LED FIELD LAMP	1
3b	CZC04715	3MM L LAMP MOUNTING PLATE	2
<i>(NOT SHOWN) USED WITH ITEM 3 OPTION ONLY</i>			
3c	CFA00052	SETSCREW M8X20 ZP	4
<i>(NOT SHOWN) USED WITH ITEM 3 OPTION ONLY</i>			
3d	CFA00147	WASHER FLAT 8MM Z/P	8
<i>(NOT SHOWN) USED WITH ITEM 3 OPTION ONLY</i>			
3e	CFA00132	NUT M8 NYLOC Z/P	4
<i>(NOT SHOWN) USED WITH ITEM 3 OPTION ONLY</i>			
4	CEL01763	LED PANEL LIGHT	2
<i>CONNECTED TO MACHINE REAR LOOM (LEFT) AND LIGHTS/AUX LOOM (RIGHT)</i>			
5	CEL00831	TAIL LIGHT CIRCULAR LED FUSION	2
6	CEL00838	LIGHT LOOM EXTENSION	1
6a	CEL01568	LIGHT LOOM EXTENSION, 3000MM, USA	1
<i>USED ON USA & CANADA MACHINES ONLY (CEL01505 ADAPTOR NOT REQUIRED)</i>			
6b	CEL01505	LIGHT LOOM ADAPTER (AMERICA)	1
<i>USED ON USA & CANADA MACHINES WITH CEL00838 FITTED</i>			
6c	CEL01587	7 PIN LIGHTING PLUG SAE J560	1
7	CEL01529	LED WORK LAMP	1
<i>CONNECTED TO MACHINE REAR LOOM</i>			
7a	CZC05704	3MM L LAMP BRACKET	1
8	CEL00823	REGISTRATION LIGHT FUSION	1
<i>OPTIONAL</i>			
9	CEL01818	NRF CHAMBER LIGHT	1

Camera & monitor kit (1079)



13 Kit containing these 3 items



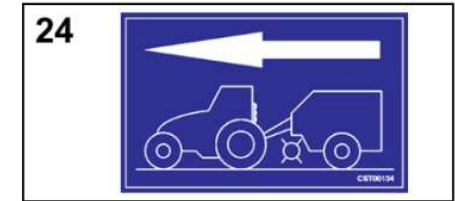
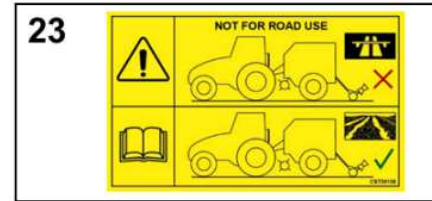
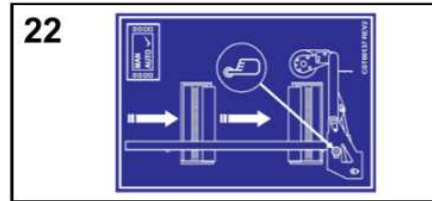
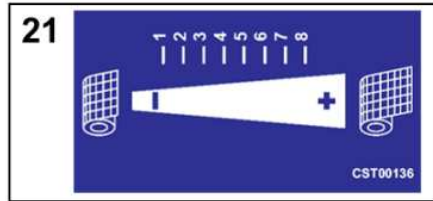
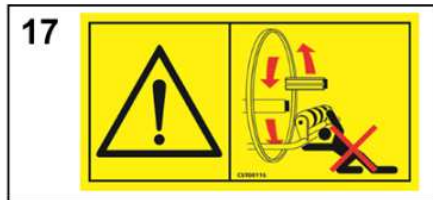
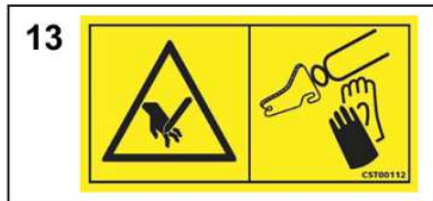
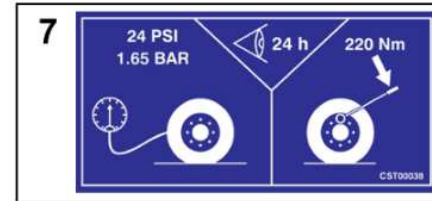
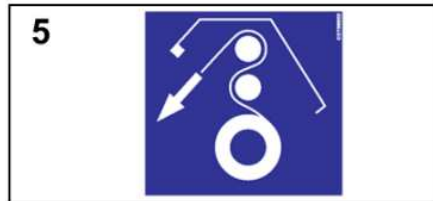
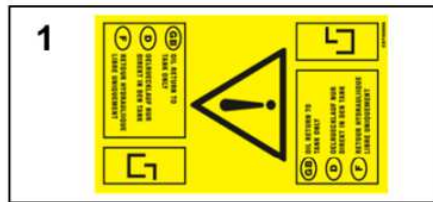
17 Kit containing these 3 items



23 Kit containing all of these items

No.	Part No	Description	Qty
1	CEL00961	CAMERA MALE PHONO CONNECTOR	1
2	CEL01371	RCA PHONO SOCKET FEMALE 2WAY	1
3	CEL01593	DOUBLE PHONO ADAPTOR	1
4	CEL01630	FUSE 250MA 5X20MM GLASS	1
4	CEL01631	FUSE 500MA 5X20MM GLASS	1
5a	CEL01609	ISOCAN - FENDT CAMERA ADAPTOR	1
5b	CEL01747	4 PIN - FENDT CAMERA ADAPTER	1
6	CEL01520	SECOND CAMERA POWER ADAPTER	1
7	CEL01585	PHONO TO CAMERA CONNECTOR	1
8	CEL01532	TWIN CAMERA ADAPTER	1
9	KST00074	CAMERA MOUNTING KIT	1
<i>INCLUDES CONNECTOR CABLE (ITEM 9a)</i>			
9a	CEL00034	LOOM POWER CCTV & AUTO CONT'	1
10	CEL00903	CAMERA-ISOCAN SIGNAL CABLE	1
11	CEL00900	COLOUR CAMERA MK1	1
12	CEL01541	CAMERA EXTENSION 5M HIGH-FLEX	1
13	KST00064	2ND CAMERA KIT ISOCAN	1
<i>INCLUDES ITEMS 10, 11 & 12</i>			
14	CEL01506	CAMERA MONITOR	1
15	CEL01550	CAMERA EXTENSION CABLE 10M	1
15	CEL01556	CAMERA EXTENSION CABLE 3M	1
16	CEL01533	COLOUR CAMERA MK2	1
16a	KST00181	CHAMBER CAMERA BUFFER KIT	1
<i>INCLUDES CAMERA BRACKET, RUBBER BUFFERS & FASTENERS</i>			
17	KST00068	CAMERA & MONITOR KIT	1
<i>INCLUDES ITEMS 14, 15 & 16</i>			
18	CEL01655	QUAD CAMERA MONITOR	1
19	CEL00064	LOOM COBO WHITE CON EURO LEAD	1
20	CEL01550	CAMERA EXTENSION CABLE 10M	2
21	CEL01533	COLOUR CAMERA MK2	2
22	ATR00047	DOUBLE CAMERA BRACKET COMP ASSY	1
23	KST00100	DUAL CAMERA COMP KIT FRT MOWER	1
<i>INCLUDES ITEMS 18, 19, 20, 21 & 22</i>			
24	KST00218	EXPERT/EXPERT PLUS CAMERA MONITOR BRACKET	1
<i>L-BRACKET KIT ENABLING A CAMERA MONITOR TO BE MOUNTED ON TOP OF AN EXPERT/EXPERT-PLUS CONTROLLER</i>			

Decals 1 (1282)



No.	Part No	Description	Qty
1	CST00006	DECAL FREEFLOW RETURN TO TANK	1
2	CST00014	DECAL WARNING!ROTATING ELEMENT	2
3	CST00017	DECAL ROTATING ELEMENTs 214	3
4	CST00019	DECAL CRUSHED HAND MCH-005	3
5	CST00022	DECAL FILM PATH 998 MCH-014	1
6	CST00032	DECAL LIFTING HOOK	4
7	CST00038	DECAL CHECK PRESSURE AND NUTS DAILY - FUSION	2
8	CST00060	DECAL GREASE GUN MCH 004	10
9	CST00107	DECAL NO STANDING ON PLATFORM	1
10	CST00108	DECAL ROTATING PICK UP REEL 246	3
11	CST00110	DECAL READ MANUAL	4
12	CST00111	DECAL HYDRAULIC WARNING	3
13	CST00112	DECAL WARNING!SHARP KNIVES	4
14	CST00113	DECAL REMOVE KEY	4
15	CST00114	DECAL CLOSE PROTECTIVE COVERS	3
16	CST00115	DECAL ACCUMULATOR PRESSURE	4
17	CST00116	DECAL DANGER ROTATING RING	3
18	CST00118	DECAL KNIFE LOCK POSITION	1
		<i>STANDARD KNIVES</i>	
18	CST00606	DECAL GERMAN KNIFE LOCK	1
		<i>GERMAN KNIVES ONLY - UP TO SERIAL No 659804</i>	
19	CST00120	DECAL CRUSHED HAND (ABOVE)	1
20	CST00135	DECAL FUSION HOSING ROAD FIELD	1
21	CST00136	DECAL FUSION NETTER AMOUNT	1
		<i>USED ON STANDARD FUSION ONLY</i>	
22	CST00137	DECAL FUSION DISPENSER PARK	1
23	CST00138	DECAL F2 SIDE TIP NOT FOR ROAD	1
		<i>USED ON MACHINES FITTED WITH SIDE TIP ONLY</i>	
24	CST00154	DISPENSER RING ORIENTATION	2

Decals 2 (1446)

1

CST00141

2

CST00142

3

CST00143

BE Before used transport or when operating on lifts ensure that areas around the machine are clear of any obstacles.
 DE Bitte beachten Sie vor dem Transport auf der Straße oder beim Fahren in öffentlichen Bereichen. Der Bereich um die Bremsen darf nicht mit den Füßen berührt werden.
 EN Never use transport trailer as kind of operation lift control, it means that the driver should use forks as continuous action operation area.
 NL Zorg in voor veiligheid of bij het laden of lossen ervoor dat het gebied rond de machine vrij is van obstakels.
 NO Ved transport eller ved kjøring på løfter skal området rundt maskinen være klart for hindringer.
 SV Den till användare skall försäkra sig att tillräckligt utrymme råddagranterat efter lastning i arbetsområdet.

4

CST00244

5

CST00344

6

CST00248

7

MAX 200 bar

CST00437

8

Max. 80°
Max. 80°

ATTENTION: PTO shaft angle joint must never exceed 80 deg. both during operation and when stationary, otherwise permanent damage will result.

9

10

DISCONNECT ECU BEFORE WELDING

11

12

13

CST00144

14

KV @40°C (cSt): 220
VI: 97

CST00776

15

CST00813

16

CST00815

1600 1580 1560 1240 1220 1200 1180

17

CST00977

18

CST00988

19

(a) (b)

20

CST00901

21

THF / UTTO (20W-30 STOU)

CST00903

22

X 5 LS

CST00964

23

CST00920

24

600 MAX min⁻¹ 540 600

CST00962 F-Series

25

1 2 R

CST00968

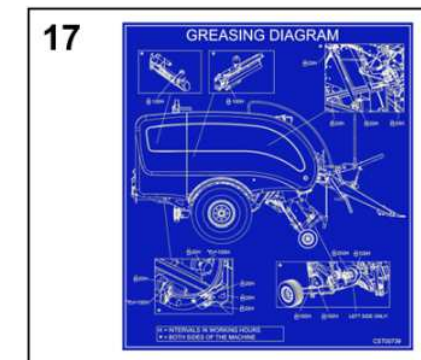
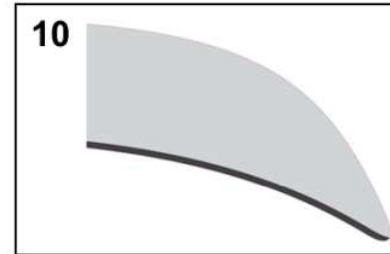
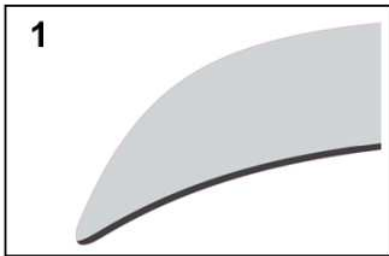
26

1 2 3 A 4 5 6 7 B 8

CST00967

No.	Part No	Description	Qty
1	CST00161	DECAL IDLE ROLLER DANGER RIGHT	1
2	CST00162	DECAL IDLE ROLLER DANGER LEFT	1
3	CST00163	DECAL WARNING KEEP BRAKES CLEAN	2
4	CST00244	DECAL WARNING STAND CLEAR	1
5	CST00246	DECAL HYD VALVE ACTUATION PLUS	1
6	CST00248	DECAL WARNING DO NOT POWERWASH	1
7	CST00657	DECAL MAX OIL PRESSURE 40X70	1
8	CST00658	DECAL PTO MAX OPERATING ANGLE	2
9	CST00707	DECAL NET & NRF PATH FUSION	1
10	CST00755	DECAL DISCONNECT ECU	3
11	CST00753	DECAL HAND CRUSH FRONT PANEL RH	1
12	CST00754	DECAL HAND CRUSH FRONT PANEL LH	1
13	CST00756	DECAL DOOR LOCK VALVE FUSION	2
14	CST00776	CHAIN OIL SPECIFICATION DECAL	1
15	CST00813	NRF BLADE DECAL	1
16	CST00815	DECAL NET NRF ROLL WIDTH 30X225	2
17	CST00877	ELECTRICAL HAZARD WARNING CONTROL BOX	1
18	CST00892	NET THREADING DECAL	1
		<i>ONLY USED WITH OPTIONAL NET ROLL REAR FEED</i>	
19a	CST00933	NET PATH ARROWS 35X120MM	2
19b	CST00900	NET ROLLER ROTATION ARROW 35X317	1
20	CST00901	DECAL TIE DOWN	4
21	CST00903	DECAL UTTO THF OIL FOR PUMP	1
22	CST00904	LOAD SENSING DECAL	1
23	CST00923	DECAL JACKING POINT	2
24	CST00962	DECAL PTO 540 FIXED CHAMBER	1
		<i>540 RPM GEARBOX</i>	
24	CST00963	DECAL PTO 1000 FIXED CHAMBER	1
		<i>1000 RPM GEARBOX</i>	
25	CST00968	PRESURE RELEASE DECAL	1
26	CST01067	DECAL FUSION KEYPAD	1

Decals 3 (1447)



No.	Part No	Description	Qty
1	CST00274	STICKER LH FRONT FUSION 4	1
2	CST00286	STICKER LH MIDDLE FUSION 4	1
3	CST00275	STICKER LH REAR FUSION 4	1
4	CST00285	STICKER PROFI FLO LH	1
5	CST00278	STICKER LH BOTTOM STD FUSION 4	1
		<i>USED ON STD MODELS ONLY</i>	
6	CST00279	STICKER LH BOTTOM PRO FUSION 4	1
		<i>USED ON PRO MODELS ONLY</i>	
7	CST00280	STICKER LH BOTTOM PLUS FUSION 4	1
		<i>USED ON PLUS MODELS ONLY</i>	
8	CST00277	STICKER RH REAR FUSION 4	1
9	CST00287	STICKER RH MIDDLE FUSION 4	1
10	CST00276	STICKER RH FRONT FUSION 4	1
11	CST00288	STICKER PROFI FLO RH	1
12	CST00281	STICKER RH BOTTOM STD FUSION 4	1
		<i>USED ON STD MODELS ONLY</i>	
13	CST00282	STICKER RH BOTTOM PRO FUSION 4	1
		<i>USED ON PRO MODELS ONLY</i>	
14	CST00283	STICKER RH BOTTOM PLUS FUSION 4	1
		<i>USED ON PLUS MODELS ONLY</i>	
15	CST00122	DECAL MCHALE REAR PANEL FUSION	1
		<i>USED ON TOP DOOR (LOWER REAR PANEL)</i>	
16	CST00284	STICKER 4 CIRCLE LOGO CHAMBER FUSION 4	1
		<i>USED ON TOP DOOR (UPPER REAR PANEL)</i>	
17	CST00739	DECAL GREASING FUSION 270X240	1