

McHale *Fusion 2*



QUALITY

I.S. EN ISO 9001:2015

NSAI Certified



FUSION 2 **Spare Parts Book**

McHale,
Ballinrobe,
Co. Mayo, Ireland.

Tel: +353 94 9520300

Fax: +353 94 9520356

Email: sales@mchale.net

Website: www.mchale.net

This page is intentionally left blank

Introduction

The **McHale FUSION 2** which you have purchased has been developed through years of constant research and development. Given proper care and attention the **FUSION 2** will give years of reliable and dependable performance. However it is important that the operators manual is read and fully understood to achieve this, **before** the machine is operated. As part of this philosophy it is vital to use only **genuine McHale** replacement parts, as these are manufactured to the same high standard as the original machine. These may be obtained through your **McHale** dealer.

If any part of this manual is not fully understood, please contact your **McHale** dealer who will be able to answer any questions or queries that you might have. It is important to quote the machine serial number when requiring spare parts or technical assistance. Space is provided below to record the machine details:

Serial number:	
Year of manufacture:	
Date of delivery:	

If you require further copies of this spare parts manual please
quote part number CLT00557

Note: Parts described as left and right are done so according to the direction that the machine normally travels in.

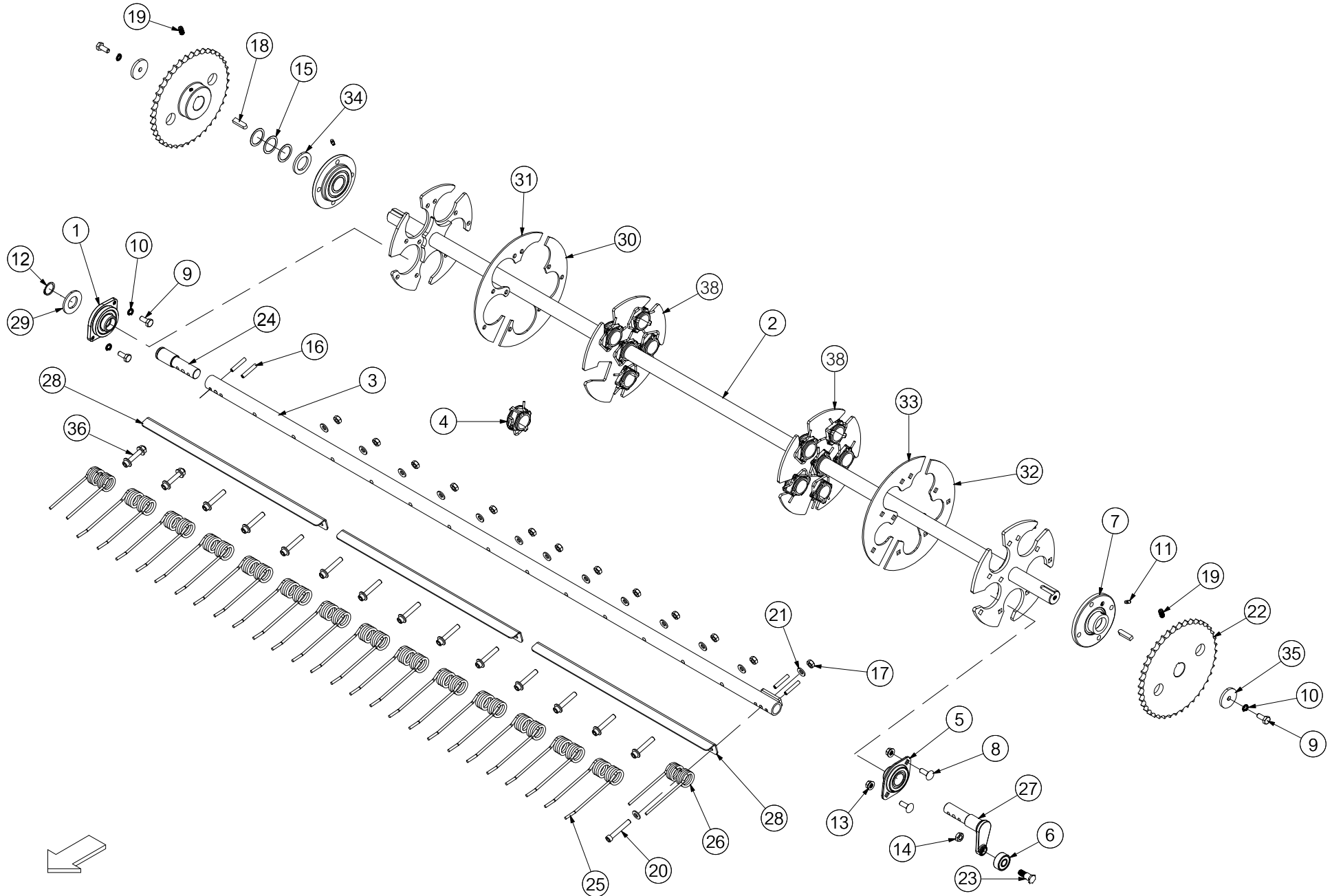
Note: Due to a policy of continuous product development and improvement *McHale Engineering* reserve the right to alter machine specifications without prior notice.

Contents

Section	Page No	Document No	Section	Page No	Document No
Pick-up unit			Bale chamber		
Pick-up reel shaft (805)	6	SPD00805	Front chamber [Idle side] (506)	54	SPD00506
Pick-up reel chassis (804)	8	SPD00804	Front chamber [Drive side] (507)	56	SPD00507
Pick-up 3 (824)	10	SPD00824	Bottom chamber door [Idle side] (503)	58	SPD00503
Pick-up 4 (497)	12	SPD00497	Bottom chamber door [Drive side] 1 (504)	60	SPD00504
Pick-up 5 (498)	14	SPD00498	Bottom chamber door [Drive side] 2 (505)	62	SPD00505
Pick-up drop floor (501)	16	SPD00501	Top chamber door [Idle side] (508)	64	SPD00508
Pick-up drop floor select (803)	18	SPD00803	Top chamber door [Drive side] (509)	66	SPD00509
Crop roller [Used on Fusion-F5 up to Serial No 655680-706660] (502)	20	SPD00502	Rollers (510)	68	SPD00510
Crop roller [On Fusion-F5-V6 from Serial No 655681-706661-800616] (775)	22	SPD00775	Roller locations (513)	70	SPD00513
			Bearings (517)	72	SPD00517
PTO shaft & Gearbox			Netter		
PTO shaft [WWE2480]	24	SPD00491	Net box (519)	74	SPD00519
PTO shaft [WWE2580]	26	SPD00634	Netter unit 1 (520)	76	SPD00520
PTO shaft [PWE580]	28	SPD00699	Netter unit 2 (521)	78	SPD00521
Gearbox 1 (489)	30	SPD00489	Net tensioner 1 (522)	80	SPD00522
Gearbox 2 (490)	32	SPD00490	Net tensioner 2 (523)	82	SPD00523
Chassis			Wrapping		
Drawbar (952)	34	SPD00952	Transfer & Front wrapping rollers (524)	84	SPD00524
Screw jack & Handbrake (704)	36	SPD00704	Rear wrapping cradle (525)	86	SPD00525
Steps & Platform (533)	38	SPD00533	Dispenser Ring (526)	88	SPD00526
Chassis 1 (486)	40	SPD00486	Dispenser ring drive wheel (527)	90	SPD00527
Chassis 2 (487)	42	SPD00487	Dispenser ring suspension unit (528)	92	SPD00528
Axle Hyd-brake (941)	44	SPD00941	Dispenser 1 (529)	94	SPD00529
Axle Air-brake (942)	46	SPD00942	Dispenser 2 (530)	96	SPD00530
Wheels (493)	48	SPD00493	Cut & Hold LH (531)	98	SPD00531
Chains & Belts (518)	50	SPD00518	Cut & Hold RH (532)	100	SPD00532
Panels (534)	52	SPD00534	Side tip [Up to Serial No 657660] (557)	102	SPD00557

Section	Page No	Document No	Section	Page No	Document No
Hydraulic & Electrical			Decals		
Hydraulic layout hoses [up to serial no. 654555]	104	SPD00540	Decals 1 (558)	152	SPD00558
Hydraulic layout fittings [up to serial no. 654555]	106	SPD00539	Decals 2 (559)	154	SPD00559
Hydraulic layout Fusion [from Serial No 654556] (703)	108	SPD00703	Decals 3 (560)	156	SPD00560
Hydraulic valve main control CVA00299 (541)	110	SPD00541			
Hydraulic valve knives & floor [up to serial no. 654555]	112	SPD00542			
Hyd valve knives & floor [On Fusion from S-No 654556 & F560 from S-No 705595] (702)	114	SPD00702			
Hydraulic valve knives & floor [Selectable] CVA00345 (701)	116	SPD00701			
Hydraulic valve rotation & tip CVA00157 [On Fusion 3 Plus up to Serial No 659743] (543)	118	SPD00543			
Hydraulic valve chamber door CVA00239 [Used on Fusion 3 Plus up to Serial No 659743] (822)	120	SPD00822			
Hydraulic rams chamber door (546)	122	SPD00546			
Hydraulic rams pick-up reel CRA00186 (182)	124	SPD00182			
Hydraulic rams cut & hold CRA00074 (549)	126	SPD00549			
Hydraulic rams bale tip cradle CRA00558 (551)	128	SPD00551			
Oil & Grease systems 1 (552)	130	SPD00552			
Oil & Grease fittings (553)	132	SPD00553			
Oil & Grease systems 3 (554)	134	SPD00554			
Oil & Grease systems 4 (555)	136	SPD00555			
Oil & Grease systems 5 (556)	138	SPD00556			
Air brake kit 1 (494)	140	SPD00494			
Air brake kit 2 (495)	142	SPD00495			
Electrical control [Standard] (561)	144	SPD00561			
Electrical control [Barrel wrap] (917)	146	SPD00917			
Expert plus control unit (1075)	148	SPD01075			
Electrical lighting kit CEL00208 (563)	150	SPD00563			

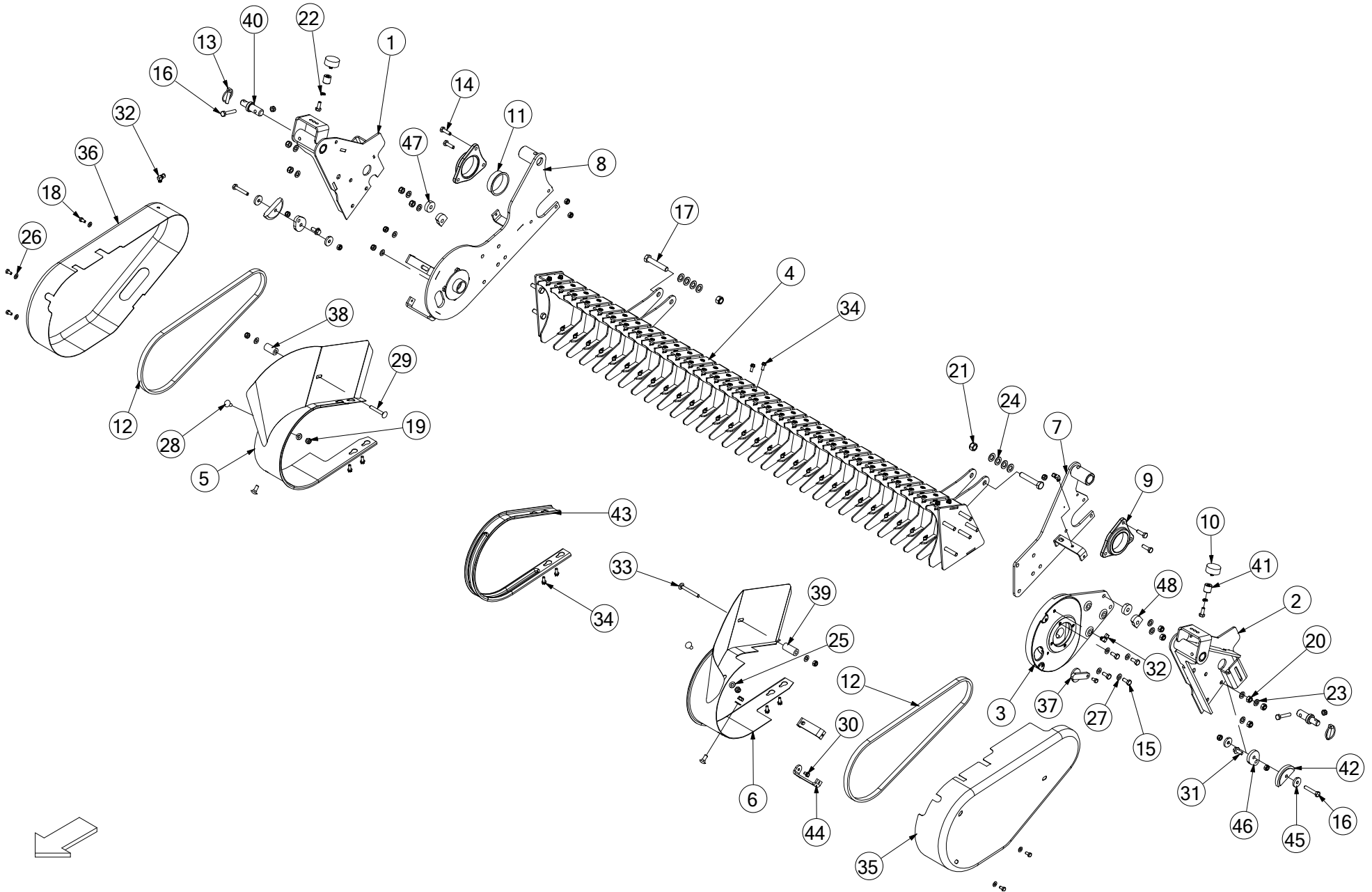
Pick-up reel shaft (805)



No.	Part No	Description	Qty
1	ACH02226	REEL BEARING FLOATING ASSY	5
2	ACN00046	PICK UP REEL SHAFT ASSY 5 BAR	1
<i>5 TINE BAR REEL (SHOWN)</i>			
2	ACH00309	PICK UP REEL SHAFT ASSY 4 TINE	1
<i>USED ON 4 TINE BAR REEL ONLY</i>			
3	ALA00046	TINE BAR ASSY REEL	5
4	ALA00177	BUSHING CENTER (ASSY) REEL	12
5	CBR00072	BEARING INA 2 BOLT RAE 30 NPPB	5
6	CBR00081	BEARING CAM INA LR 5202 NPPU	5
7	CBR00092	BEARING CIRCR FLNGE INA PME 35	2
8	CFA00017	SETSCREW M10X30 CUP SQ Z/P	10
9	CFA00024	SETSCREW M10X25 Z/P	12
10	CFA00137	WASHER SPRING 10MM H.D Z/P	12
11	CFA00217	GREASE NIPPLE M6X1.0 ST	2
12	CFA00402	CIRCLIP 30MM EXTERNAL	5
13	CFA00443	NUT M10 SERRATED FLANGE (DIN 6923)	10
14	CFA00446	NUT M12 HEXAGON LOCK/HALF NUT	5
15	CFA00512	SHIM 35X45X1.0 Z/P	3
16	CFA00538	SPIROL PIN 8X45 S/C	20
17	CFA00541	NUT M10 BRINKS SELF LOCKING	5
18	CFA00624	KEY 10x8x40 STRAIGHT	2
19	CFA00625	M10 x 20 GRUBSCREW	2
20	CFA00725	BOLT M10X65 SOC CAP	5
21	CFA02244	TINE BOLT WASER FOR P/U REEL	10
22	CMH00621	PLATWEHEEL 3/4" PITCH 40 T	2
23	CMH00672	BOLT SHOULDER 3/4" H	5
24	CMH00843	SHAFT 30X125 STEPPED & C-HOLES	5
25	CTN00008	TINE PICK UP REEL BA	65
26	CTN00014	TINE STRAIGHT PICK UP REEL	10
27	CTP00251	CAM AXLE (FORGED)	5
28	CZC02139	3MM L PU TINE BAR ANGLE 8 HOLE	5
<i>USED ALONG WITH CZC02140 UP TO SERIAL No 709517 (F5), 802178 (V6)</i>			
28	CZC02140	3MM L PU TINE BAR ANGLE 7 HOLE	5
<i>USED ALONG WITH CZC02139 UP TO SERIAL No 709517 (F5), 802178 (V6)</i>			
28	CZC04325	3MM L PU TINE BAR ANGLE 5 HOLE	15
<i>USED FROM SERIAL No 709518 (F5), 802179 (V6)</i>			
29	CZD02325	4MM L WASHER 30X58X4 Z/P	5
30	CZD04424	4MM L GRASS GUARD 5 TINE BAR REEL	1
31	CZD04425	GRASS GUARD 5 TINE BAR REEL	1
<i>USED ON 5 TINE BAR REEL ONLY (SHOWN)</i>			
31	CZD02285	4MM L REEL GRASS PLATE 4 TINE	4
<i>USED ON 4 TINE BAR REEL ONLY</i>			
32	CZD04701	4MM L REEL SHAFT BOLT ON END PLATE	1
33	CZD04702	4MM L REEL SHAFT BOLT ON END PLATE	1
34	CZE00156	5MM L WASHER 35X55X5 Z/P	1
35	CZF02215	6MM L WASHER 10.5X50X6 Z/P	2
36	KST00058	KIT BOLTS FOR PICKUP TINES X10	7
<i>INCLUDES BOLTS, NUTS & WASHERS (SOLD IN MULTIPLES OF 10)</i>			
38	APU00005	5 TINE CENTER DISK REPAIR KIT	2
<i>(INCLUDES ITEM 4) QTY WAS 1x PRIOR TO SERIAL No 709518 (F5), 802179 (V6)</i>			

No.	Part No	Description	Qty
-----	---------	-------------	-----

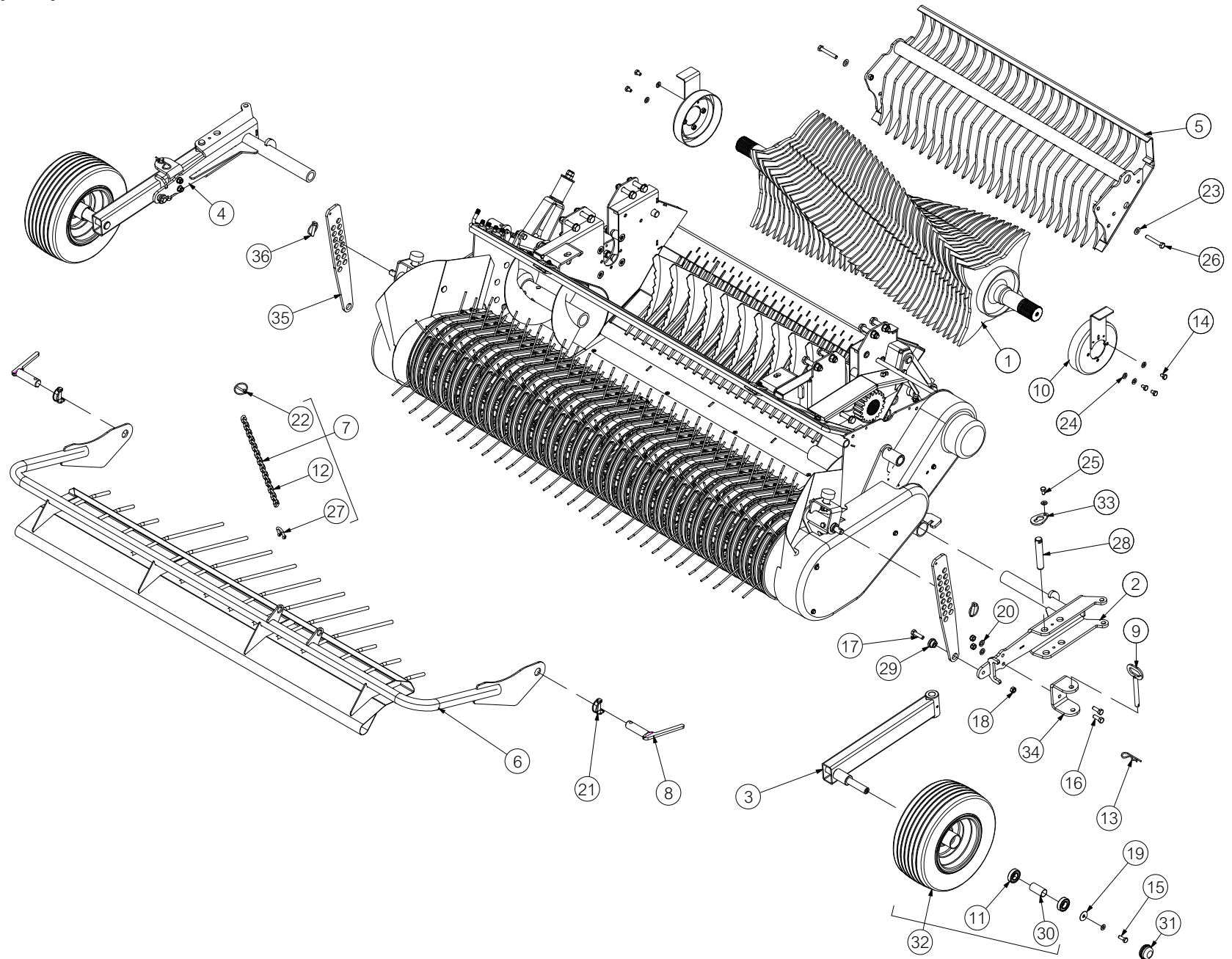
Pick-up reel chassis (804)



No.	Part No	Description	Qty
1	ACH00298	REEL WELD ASSY OUTER (RIGHT)	1
2	ACH00301	REEL WELD ASSY OUTER (LEFT)	1
3	ACH00308	CAM TRACK ASSY	1
<i>INCLUDES ITEMS 15, 27, 30, 44 & CTP00252</i>			
3	CTP00252	CAM TRACK CAST	1
3	ACH00354	CAM TRACK (DUTCH)	1
<i>FOR DUTCH MACHINES ONLY</i>			
4	ACH01004	REEL BACK PLATE WELD ASSY	1
5	ACH02315	OUTER BAND RHS	1
6	ACH02316	OUTER BAND LHS	1
7	ACH02351	REEL INNER BRACKET LEFT FUSION II	1
8	ACH02352	REEL INNER BRACKET RIGHT FUSION II	1
9	ALA00314	PICKUP REEL PIVOT BRACKET KIT	1
<i>KIT CONTAINS 2 HOUSINGS & 2 IIGUS BEARINGS (ITEM 11)</i>			
10	CBE00182	BUFFER RUBBER 50X21 M10X13	2
11	CBR00274	BEARING IGLIDUR GFM-7680-25	2
12	CCH02026	CHAIN ASA60H 3/4" 78 INC LINK	2
<i>(IF AUGER SPROCKET IS 19T USE AS IS & IF AUGER SPROCKET IS 15T REMOVE 2 LINKS)</i>			
13	CFA00005	LINCH PIN 10MM	2
14	CFA00016	BOLT M10X35	4
15	CFA00024	SETSCREW M10X25 Z/P	6
16	CFA00027	BOLT M10X60 Z/P	4
17	CMH02848	PIN CLEVIS 16X85 + DIA 4 C.HOLE	2
<i>REPLACES M16X90 BOLT CFA00040</i>			
18	CFA00101	SETSCREW M8X16 Z/P	7
19	CFA00123	NUT M10 NYLOC	20
20	CFA00124	NUT M12 NYLOC	10
21	CFA00450	SPLIT PIN 4X36 ZP	2
<i>REPLACES M16 NYLOC NUT CFA00128</i>			
22	CFA00137	WASHER SPRING 10MM H.D Z/P	2
23	CFA00138	WASHER FLAT 12MM Z/P	10
24	CFA00140	WASHER FLAT 16MM Z/P	8
25	CFA00201	WASHER FLAT 10 MM Z/P	6
26	CFA00249	WASHER SKM8	6
27	CFA00251	WASHER SKM10	8
28	CFA00442	SETSCREW M10X25 CUP SQ	4
29	CFA00474	BOLT M10X70 CUP SQUARE ZP	1
30	CFA00492	SETSCREW M8X12 FLANGED Z/P	2
31	CFA00520	SETSCREW M10X25 FLD ZP	2
32	CFA00542	OILER FITTING 90 DEG 1/8" BSP	3
<i>FITTING WITH NUT & OLIVE (USED ON FUSION ONLY)</i>			
32	CFA02253	90 DEG. 1/8" 4MM QUICK CONNECTOR	3
<i>PUSH-IN FITTING (USED ON F5 & V6 ONLY)</i>			
33	CFA00546	BOLT M10X85 CUP HEAD SQ Z/P	1
34	CFA00766	SETSCREW M8X20 FLANGED DIN6921 Z/P	130
35	CGD00034	GUARD REEL LEFT HAND	1
36	CGD00036	GUARD REEL RIGHT SIDE	1
37	CGD00050	CAM TRACK BLANKING CAP	1
38	CMH00740	BUSH 12X25X45	1
39	CMH00741	BUSH 12X25X55	1

No.	Part No	Description	Qty
40	CMH01035	PIN 25X97 AND12MM CH (Z/P)	2
41	CMH01088	BUSH 10X25X25 THREADED Z/P	2
42	CPL00043	PLASTIC CHAIN TENSIONER (REEL)	2
43	CTP00048	BAND PICK UP REEL (BALER)	29
44	CZF04369	6MM L CAM TRACK BRAC	2
45	CZF05111	6MM L PART SPACER	4
46	CZH02907	10MM L WASHER 10X50 FLAT SIDE ZP	2
47	CZI02045	12MM L WASHER 39.5X12.5X12	2
48	CZI02046	12MM L WASHER DOWEL	2

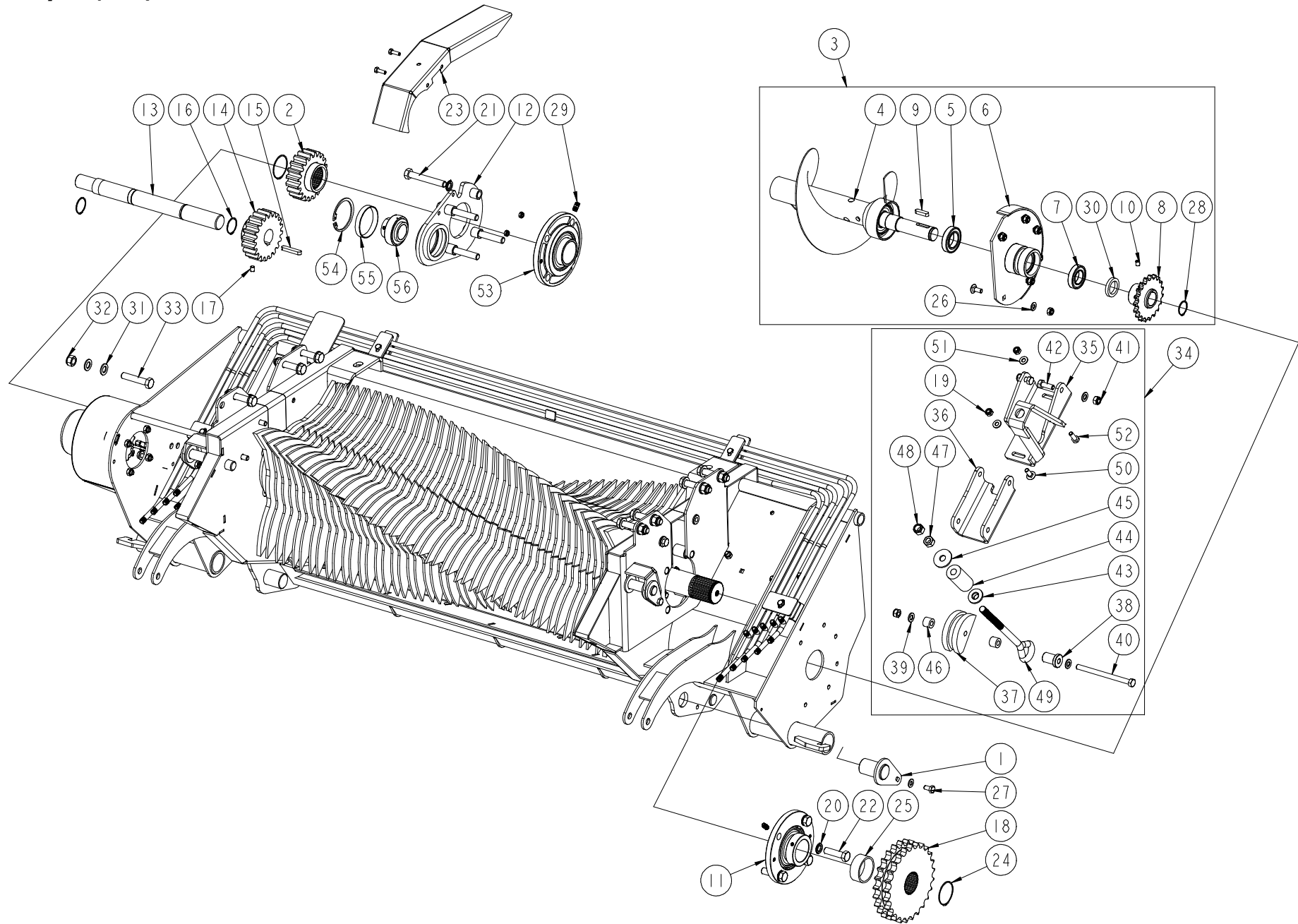
Pick-up 3 (824)



No.	Part No	Description	Qty
1	ACH00317	ROTOR 23 - 25 KNIFE WELD Ø500 <i>USED ON FUSION 3 UP TO SERIAL No 662199 (STANDARD FLOOR)</i>	1
1a	CZF02684	6MML ROTOR PLATE (23-25 KNIFE) <i>REPLACEMENT (ACH00317) ROTOR FINGER PLATE (NOTE: THERE ARE 2 FINGER PLATES PER FLIGHT)</i>	2
1	ACH01448	ROTOR 25 KNIFE WELD ASM Ø540MM <i>USED ON FUSION 3 ON SUSPENSION FLOORS ONLY FROM SERIAL No 662200</i>	1
1a	CZF07132	6MM L ROTOR PLATE 540 OD <i>REPLACEMENT (ACH01448) ROTOR FINGER PLATE (NOTE: THERE ARE 2 FINGER PLATES PER FLIGHT)</i>	2
1	ACH02958	KOREA BIG ROTOR 2 STAR Ø540HD 7K <i>KOREAN MACHINES FROM SERIAL No 662700 ONWARDS (SUSPENSION FLOOR)</i>	1
1	ACH02933	KOREAN ROTOR 2 STAR Ø500 HD 7K <i>KOREAN MACHINES FROM SERIAL No 662278 TO 662699 (STANDARD FLOOR)</i>	1
1	ACH01353	KOREAN ROTOR (12MM FINGERS) 2 STAR <i>KOREAN MACHINES FROM SERIAL No 657166 TO 662277 (REPLACES ACH01089)</i>	1
2	ACH00908	PICKUP WHEEL HINGE WELD ASSY	2
3	ACH00909	PICKUP GUIDE WHEEL WELD ASSY	2
4	ACH00911	PICKUP GUIDE WHEEL COMP ASSY	2
5	ACH01649	COMB 25K FUSION 3 & FUS 3 PLUS <i>USED ON 25K FUSION 3 FROM SERIAL No 659001 & ON ALL FUSION 3 PLUS (NRF) MACHINES (REPLACES ACH01329)</i>	1
5a	AGD00086	RUBBER FLAP ASSEMBLY FUSION 3 COMB <i>USED ONLY ON FUSION 3 PLUS COMB FROM SERIAL No 663700</i>	1
5	ACH02712	COMB 25K FUSION 3 STANDARD <i>USED ON STANDARD 25K FUSION 3 FROM SERIAL No 656829 TO 659000</i>	1
5	ACH00956	COMB WELD 23 KNIFE FUSION <i>USED ON STD 23K FUSIONS UP TO SERIAL No 656828 (ALSO ORDER KIT REP00044 PRIOR TO SERIAL No 654531)</i>	1
5	ACH01525	COMB FUSION 3 KOREAN 2 STAR HD ROTOR 7K <i>KOREAN MACHINES ONLY - FUSION 3 (& FUSION 3 PLUS) FROM SERIAL No 662278</i>	1
5	ACH02872	COMB 2 STAR KOREA FUSION 3 (2015) <i>KOREAN MACHINES ONLY - FUSION 3 (& FUSION 3 PLUS) FROM SERIAL No 659001 TO 662277 (REPLACES ACH02807)</i>	1
5	ACH02619	COMB ASSY KOREA (2 STAR ROTOR) <i>KOREAN FUSION 3 MACHINES ONLY FROM SERIAL No 657166 TO 659000 (REPLACES ACH02415 & ACH02300)</i>	1
6	ACH02331	GRASS GUARD ASSY FUSION	1
7	ACN00065	GRASS GUARD CHAIN ASSY FUSION <i>CHAIN ASM INCLUDES SHACKLE & LINCH-PIN</i>	1
8	ALA00035	HINGE PIN REEL FRONT	2
9	ALA00036	PIN WHEEL HINGE ASSY.	2
10	ARC00181	ROTOR SEAL RING ASSY M10 BOLT <i>UP TO SERIAL No 654530</i>	2
10	ARC00227	GRASS GUARD 23K ROTOR END SPUN <i>FROM SERIAL No 654531</i>	2
10	ARC00182	ROTOR SEAL RING ASM (KOREA) M1 <i>KOREAN MACHINES ONLY</i>	2
11	CBR00009	BEARING 6205 2RS	4
12	CCH02039	CHAIN 7x22X25 LINKS	1
13	CFA00004	R-CLIP 4MM	2
14	CFA00022	SETSCREW M10X16 Z/P	6
15	CFA00031	SETSCREW M12X25 Z/P	2
16	CFA00033	SETSCREW M12X35 Z/P	4
17	CFA00079	BOLT M12X45	2
18	CFA00124	NUT M12 NYLOC	6
19	CFA00250	WASHER SKM12	2
19	CFA00718	WASHER MUDWING A13 Z/P	2

No.	Part No	Description	Qty
19	CFA00720	WASHER FLAT M26 Z/P DIN126	2
20	CFA00138	WASHER FLAT 12MM Z/P	4
21	CFA00194	LINCH PIN PIPE 10MMX50MM	2
22	CFA00202	LINCH PIN 6MM	1
23	CFA00250	WASHER SKM12	4
24	CFA00251	WASHER SKM10	8
25	CFA00293	SETSCREW M10X20 Z/P	2
26	CFA00777	BOLT M12X80 GRADE 10.9 S/C	4
27	CFA00676	D SHACKLE 8MM	1
28	CMH00675	PIN 25 X 140 MILLED FOR CAP Z/P	2
29	CMH00771	BUSH 12X35 STEPPED	2
30	CMH00838	BUSH 27X30.25X62 REEL WHEEL	2
31	CTP00070	DUST CAP 170/60-8 VREDESTEIN	2
32	CWH00037	WHEEL 170/60 -8 (V 64) <i>WHEEL ASM INCLUDES BUSHING & BEARINGS</i>	2
33	CZF00293	6MM L CAP SHORT FOR 25MM PINS	2
34	CZH02472	10MM L WHEEL GUIDE PART	2
35	CZH02522	10MM L WHEEL GUIDE P	2
36	CFA00005	LINCH PIN 10MM	2

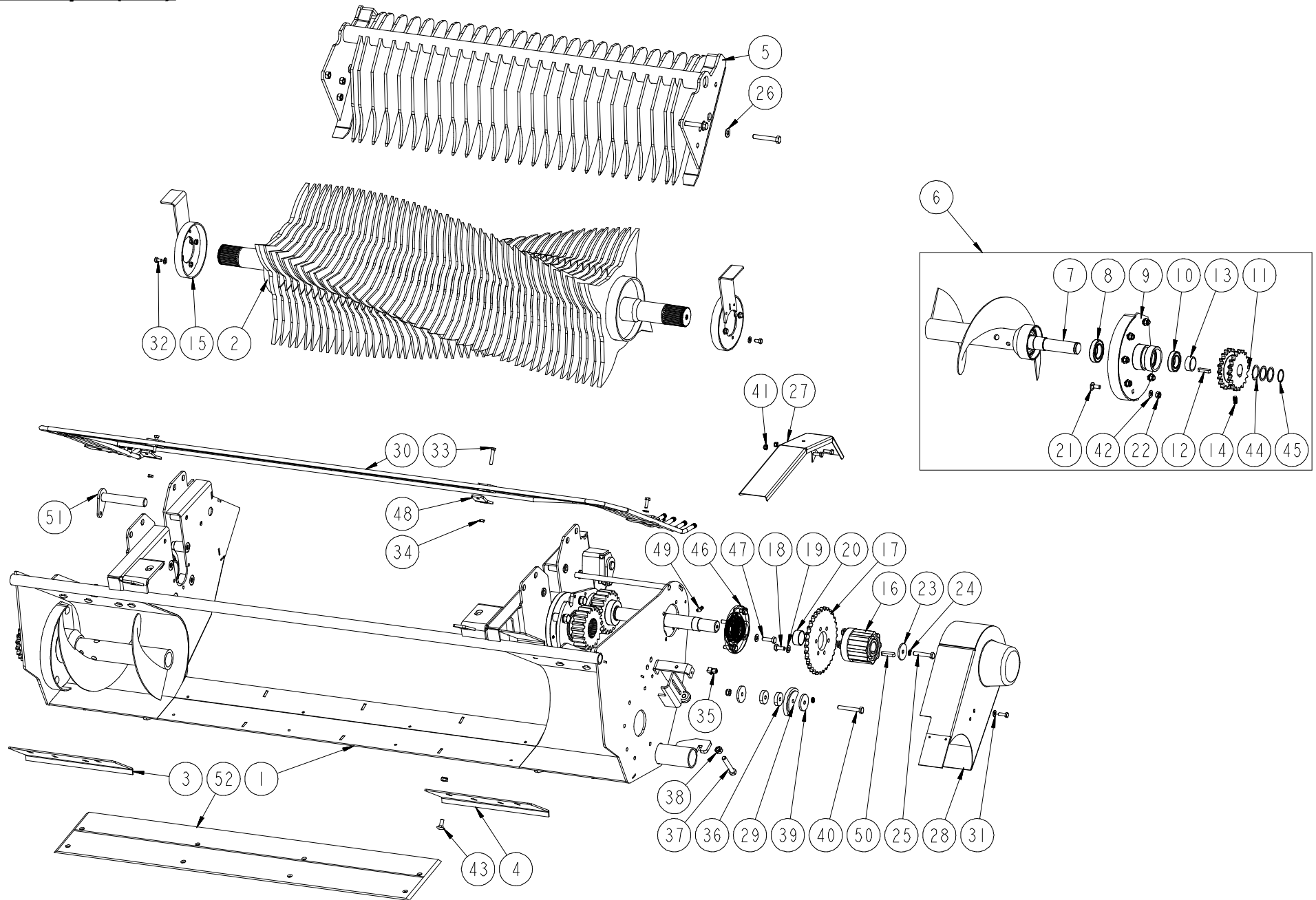
Pick-up 4 (497)



No.	Part No	Description	Qty
1	ACH00321	PIN CHOPPER FLOOR HINGE Z/P	2
2	CMH00652	GEAR SPUR MOD6 20 TOOTH SPLINE	1
3	ACH00328	AUGER COMPLETE ASSY. (RIGHT)	1
4	ACH00327	AUGER ASSY. (RIGHT)	1
5	CBR00076	BEARING 6008 2RS	1
6	CTP00503	CHOPPER UNIT AUGER HOUSING RHS	1
<i>REPLACES ACH00313</i>			
7	CBR00001	BEARING 6007 2RS	1
8	ACH00326	SPROCKET AUGER ASSY. (RIGHT)	1
9	CFA00239	KEY 10X8X40	1
10	CFA00559	GRUBSCREW M10X12	1
11	ARC00067	ROTOR BEARING ASSY DRIVE SIDE	1
12	CTP00391	BEARING HOLDER ASSY SPUR GEARS	1
<i>REPLACES ACH00030</i>			
12	ACH00331	BEARING HOLDER ASSY	1
<i>INCLUDES ITEMS 54, 55 & 56</i>			
13	CMH00657	SHAFT 40 X 450.5 STE	1
14	CMH00653	GEAR SPUR MOD6 20T 40MM ID	1
15	CFA00558	KEY 12X8X60	1
16	CFA00551	CIRCLIP 40MM EXTERNAL	2
17	CFA00559	GRUBSCREW M10X12	1
18	CMH00659	SPROCKET 1" PITCH 25 T DUPLEX	1
19	CFA00123	NUT M10 NYLOC	28
20	CFA00783	WASHER NL16 NORD-LOCK	8
21	CFA00787	BOLT M16X100 Z/P DIN931 GRADE 10.9	4
22	CFA00786	BOLT M16X60 Z/P DIN931 GRADE 10.9	4
23	CZB02160	1.5MM L SPUR GEAR GUARD BALER	1
24	CFA00513	CIRCLIP 60MM EXTERNAL	2
25	CXT00262	TUBE 70X4.5X27 RAM TUBE	1
26	CFA00251	WASHER SKM10	18
27	CFA00023	SETSCREW M10X20 Z/P	2
28	CFA00514	CIRCLIP 35MM EXTERNAL	2
29	CFA00550	ROTOR BEARING GREASE FITTING	2
30	CZG02115	8MM L AUGER SPACER	1
31	CFA00140	WASHER FLAT 16MM Z/P	16
32	CFA00128	NUT M16 NYLOC	8
33	CFA00498	BOLT M16 X 80 Z/P	8
34	ACH00865	DUPLEX TENSIONER	1
35	ACH00864	DUPLEX CHAIN TENSIONER BASE	1
36	ACH02294	DUPLEX TENSIONER WELD ASSY	1
37	CPL00055	CHAIN TENSIONER SLIDE 1"DUPLEX	1
38	CMH01022	BUSH 8X35X45 STEPPED	1
39	CFA00138	WASHER FLAT 12MM Z/P	4
40	CFA00747	BOLT M12X170Z/P	1
41	CFA00124	NUT M12 NYLOC	3
42	CFA00033	SETSCREW M12X35 Z/P	2
43	CMH01109	WASHER 17X40X12 Z/P	1
44	KST00089	DUPLEX CHAIN BUFFER KIT	1
<i>(REPLACES CBE00174) INCLUDES WASHER (ITEM 45) COMPRESS BUFFER TO 85MM WHEN ADJUSTING DUPLEX CHAIN</i>			

No.	Part No	Description	Qty
45	CZD05074	4MM L WASHER 16X68X4 Z/P	1
46	CMH01110	BUSH 12X25X19.5	2
47	CFA00127	NUT M16	1
48	CFA00128	NUT M16 NYLOC	1
49	CFA00784	EYE BOLT M16X360 (DUPLEX TENSIONER)	1
50	CFA00017	SETSCREW M10X30 CUP SQ Z/P	1
51	CFA00201	WASHER FLAT 10 MM Z/P	3
52	CFA00025	SETSCREW M10X30	1
53	CBR00078	BEARING FEC 60 4 BOLT FLANGE	1
54	CFA00232	CIRCLIP 85MM INTERNAL	1
55	CMH00245	BEARING RETAINER 1040 35MM	1
56	CBR00093	BEARING INSERT INA GYE 40 KRRB	1

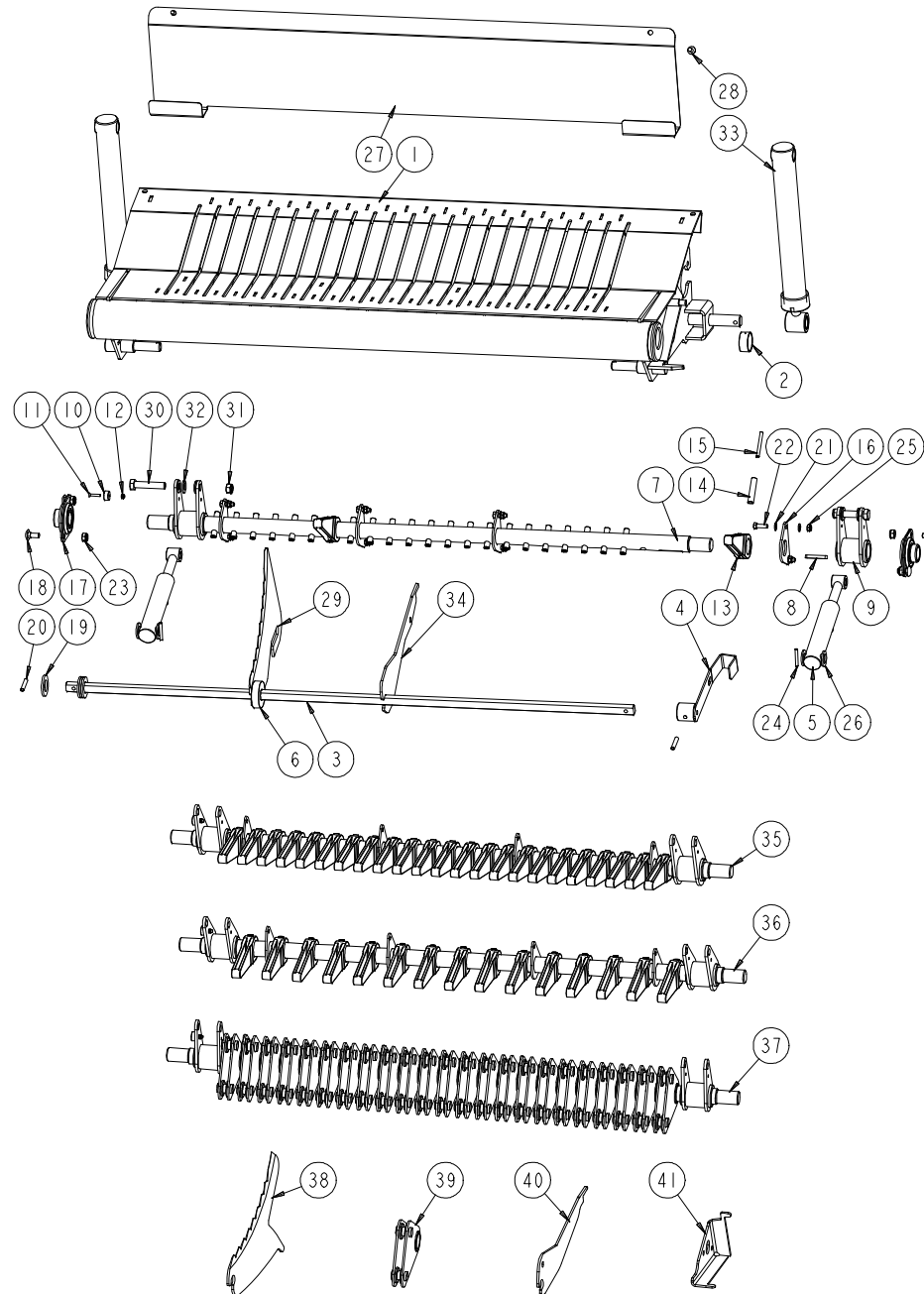
Pick-up 5 (498)



No.	Part No	Description	Qty
1	ACH02311	CHOPPER CHASSIS COMP WELD ASSY	1
2	ACH00317	ROTOR 23 - 25 KNIFE WELD ASSY	1
2a	CZF02684	6MML ROTOR PLATE (23-25 KNIFE)	AR
<i>REPLACEMENT ROTOR FINGER PLATE (NOTE: THERE ARE 2 FINGER PLATES PER FLIGHT)</i>			
2	ACH01353	KOREAN ROTOR (12MM FINGERS) 2 STAR	1
<i>KOREAN MACHINES FROM SERIAL NO 657166 ONWARDS</i>			
2	ACH01089	15 KNIFE V TYPE ROTOR KOREA	1
<i>KOREAN MACHINES UP TO SERIAL NO 657165</i>			
3	CZD04345	4MM L AUGER CLEANING PLATE FUSION	1
4	CZD02227	4MM L CHOPPER UNIT PART	1
5	ACH01329	COMB 25K FUSION 3 & FUS 3 PLUS	1
<i>USED ON 25K FUSION 3 FROM SERIAL NO 659001 & ON ALL FUSION 3 PLUS (NRF) MACHINES (REPLACES ACH01284)</i>			
5	ACH02712	COMB 25K FUSION 3 STANDARD	1
<i>USED ON STANDARD 25K FUSION 3 FROM SERIAL NO 656829 UP TO 659000</i>			
5	ACH00956	COMB WELD 23 KNIFE FUSION	1
<i>USED ON STD 23K FUSIONS UP TO SERIAL NO 656828 (ALSO ORDER KIT REP00044 PRIOR TO SERIAL NO 654531)</i>			
5	ACH02807	COMB 2 STAR KOREA FUS 3 & PLUS	1
<i>USED ON KOREAN MACHINES ONLY - FUSION 3 FROM SERIAL NO 659001 & ALL FUSION 3 PLUS (NRF BARREL WRAP)</i>			
5	ACH02619	COMB ASSY KOREA (2 STAR ROTOR)	1
<i>USED ON KOREAN FUSION 3 MACHINES ONLY FROM SERIAL NO 657166 UP TO 659000</i>			
5	ACH02415	COMB WELD 15K KOREA	1
<i>USED ON KOREAN FUSION 2 & 3 MACHINES ONLY UP TO SERIAL NO 657165 (REPLACES ACH02300)</i>			
6	ACH00325	AUGER COMPLETE ASSY. (LEFT)	1
7	ACH00314	AUGER LEFT SIDE	1
8	CBR00076	BEARING 6008 2RS	1
9	CTP00504	CHOPPER UNIT AUGER HOUSING LHS	1
<i>REPLACES ACH00423</i>			
10	CBR00001	BEARING 6007 2RS	1
11	CMH00633	SPROCKET 3/4" PITCH 19T DOUBLE	1
12	CFA00239	KEY 10X8X40	1
13	CXT00259	TUBE 42.4X3X16	1
14	CFA00625	M10 x 20 GRUBSCREW	1
15	ARC00181	ROTOR SEAL RING ASSY M10 BOLT	2
<i>UP TO SERIAL NO. 654530</i>			
15	ARC00227	GRASS GUARD 23K ROTOR END	1
<i>FROM SERIAL NO. 654531</i>			
15	ARC00182	ROTOR SEAL RING ASSY M10	2
<i>KOREAN MACHINES ONLY</i>			
16	CMT00063	CLUTCH PICK-UP (900 Nm)	1
17	CMH00727	PLATEWHEEL 3/4" PITCH 32T	1
18	CFA00024	SETSCREW M10X25 Z/P	6
19	CFA00251	WASHER SKM10	6
20	CBR00268	BEARING GLACIER DU 4	1
21	CFA00442	SETSCREW M10X25 CUP SQ	12
22	CFA00123	NUT M10 NYLOC	28
23	CZD00121	4MM L CUT & TIE SPACER Z/P	1
24	CFA00137	WASHER SPRING 10MM ZP HD	2
25	CFA00027	BOLT M10X60 Z/P	1
26	CFA00250	WASHER SKM12	4
27	CZB02160	1.5MM L SPUR GEAR GUARD BALER	1
28	CGD00057	GUARD SLIPCLUTCH PICKUP REEL	1

No.	Part No	Description	Qty
29	CPL00043	PLASTIC CHAIN TENSIONER (REEL)	1
30	CHY02505	STEEL PIPE ASSY PICK UP REEL	1
<i>FUSION 2</i>			
30	CHY02606	PIPE ASSY HYD CHOPPER UNIT	1
<i>FUSION 3 (MUST ALSO ORDER CHY02786 ON MACHINES WITH SELECTABLE KNIVES)</i>			
30a	CHY02786	STEEL PIPE WELD ASSY	1
<i>FUSION 3 WITH SELECTABLE-KNIVES ONLY</i>			
31	CFA00249	WASHER SKM8	9
32	CFA00101	SETSCREW M8X16 Z/P	6
33	CFA00106	BOLT M8X45 Z/P	2
34	CFA00133	NUT M8 Z/P	2
35	CFA00542	OILER FITTING 90 DEG 1/8" BSP	1
36	CZH02584	10MM L WASHER 40X10.5 Z/P	2
37	CFA00330	BOLT M12X80 Z/P	1
38	CFA00125	NUT M12 Z/P	1
39	CZF02215	6MM L WASHER 10.5X50X6 Z/P	2
40	CFA00075	BOLT M10X75 Z/P	1
41	CFA00132	NUT M8 NYLOC Z/P	2
42	CFA00251	WASHER SKM10	16
43	CFA00068	BOLT M10X25 CUP SQ. Z/P	7
44	CFA00512	SHIM 35X45X1.0 Z/P	3
45	CFA00514	CIRCLIP 35MM EXTERNAL	2
46	CBR00104	BEARING INA TME 40 GE 40 KPPB3	1
47	CFA00311	SETSCREW M10X35 Z/P	4
48	CZF02904	6MM L GUARD BRACKET BALER	2
49	CFA00553	GREASE NIPPLE M6X1.0 45 DEG	1
50	CFA00081	KEY 10X8X45	1
51	ALA00247	DROP FLOOR RAM PIN Z/P	2
52	CPL00087	NYLON STRIP	1

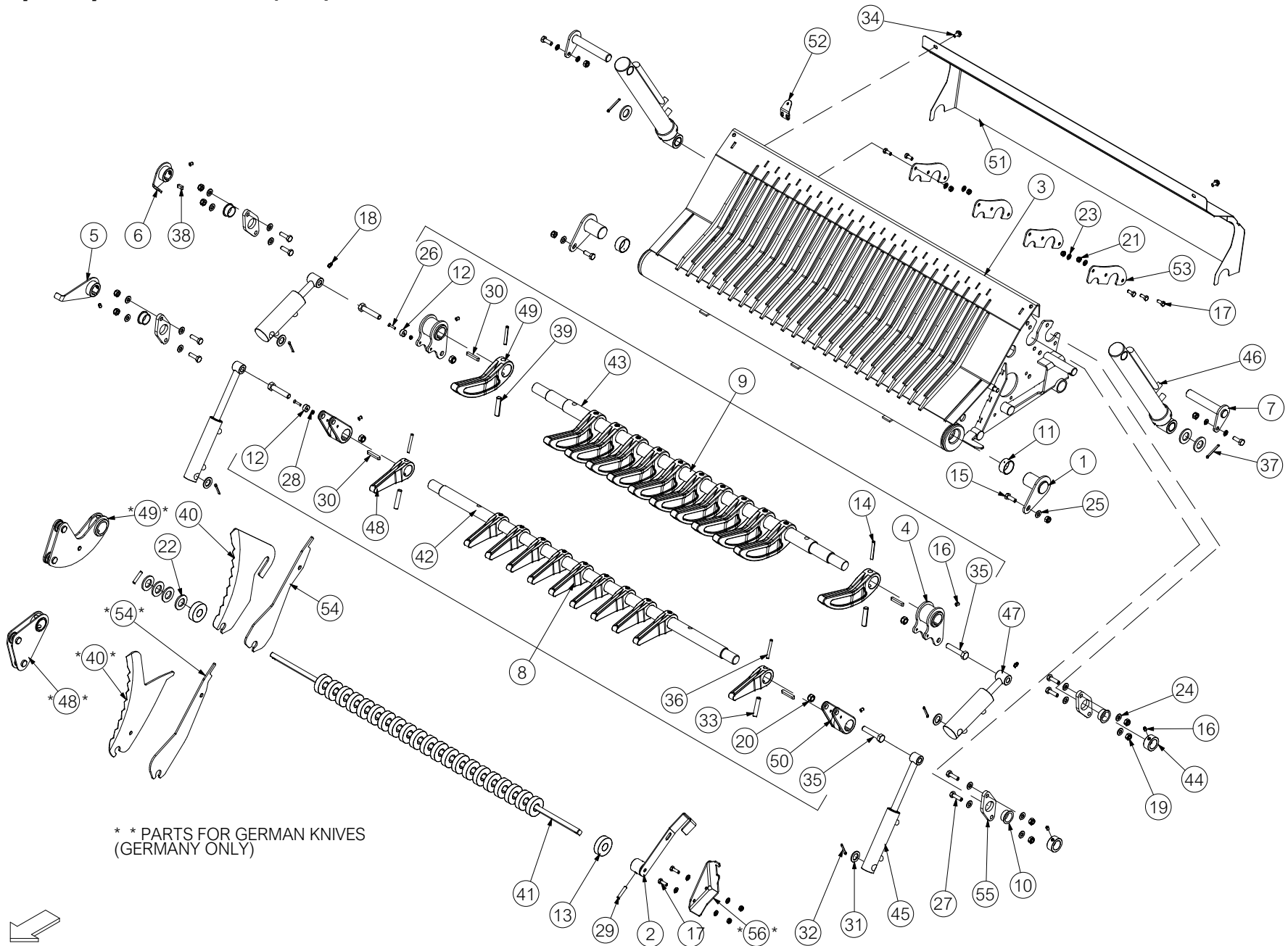
Pick-up drop floor (501)



No.	Part No	Description	Qty
1	ACH02325	23K DROP FLOOR WELD ASSY (NEW)	1
1	ACH00572	15 KNIFE FLOOR WELD ASSY	1
2	CBR00268	BEARING GLACIER DU 4	2
3	CMH00641	SHAFT 22 X 1310	1
4	ACH00323	KNIFE RELEASE LEVER ASSY	1
5	CRA00185	RAM KNIFE ACTUATION BW	2
5	CRA00713	RAM KNIFE CHOPPING ADJ END	1
<i>ALTERNATIVE OPTION (TO CRA00185) WHICH ALLOWS ADJUSTMENT TO SET KNIFE CUTTING HEIGHT</i>			
6	CEL00154	MAGNET 60 X24 X 17	23
7	CMH01068	SHAFT35X1300	1
8	CFA00387	KEY 8X7X50	2
9	CTP00372	KNIFE ACTUATOR ARM (NEW)	2
<i>REPLACES ACH02286</i>			
10	CEL00059	MAGNET 20 X 10 260369	1
11	CFA00261	SETSCREW M5X25 CSK HEX SS	1
12	CFA00348	NUT M5 NYLOC SS	1
13	CTP00266	KNIFE ACTUATOR ARM	23
14	CFA00504	ROLL PIN 12X60 ZP	23
15	CFA00642	ROLL PIN M7X60	23
16	CZD04279	4MM L KNIFE ARM LOCK BAR	4
17	CBR00072	BEARING INA 2 BOLT RAE 30 NPPB	2
18	CFA00068	BOLT M10X25 CUP SQ. Z/P	4
19	CFA00135	WASHER FLAT 1" Z/P	4
20	CFA00009	ROLL PIN 8X40	2
21	CFA00147	WASHER FLAT 8MM Z/P	16
22	CFA00102	SETSCREW M8X25 Z/P	8
23	CFA00123	NUT M10 NYLOC	4
24	CFA00073	ROLL PIN 6X40	2
25	CFA00132	NUT M8 NYLOC Z/P	8
26	CFA00413	WASHER FLAT 20MM Z/P	4
27	CZB02203	1.5MM L GRASS GUARD	1
28	CFA00519	SETSCREW M8X16 FLD ZP	2
29	CKN00014	KNIFE CHOPPER UNIT	1
30	CFA00547	BOLT M14X70 Z/P	2
31	CFA00126	NUT M14 NYLOC	2
32	CFA00222	WASHER FLAT 14MM Z/P	8
33	CRA00193	RAM CHOPPER FLOOR 20	2
34	CZE00143	5MM L KNIFE BLANK BALER	11
35	ALA00202	23 KNIFE ARM COMP ASSY	1
<i>[Specify Machine type/Serial No + Year of manufacture when ordering this part]</i>			
36	ALA00203	15 KNIFE ARM COMP ASSY	1
<i>[Specify Machine type/Serial No + Year of manufacture when ordering this part]</i>			
37	ALA00204	23 KNIFE ARM COMP ASSY GERMAN	1
<i>[Specify Machine type/Serial No + Year of manufacture when ordering this part]</i>			
38	CKN00016	KNIFE FOR GERMAN DROP FLOOR	23
39	ACN00055	KNIFE HOLDER GERMAN	23
40	CZE00168	5MM L KNIFE BLANK (GERMAN)	11
41	CZD02356	4MM L LOCK BRACKET FOR GERMAN	1

No.	Part No	Description	Qty
-----	---------	-------------	-----

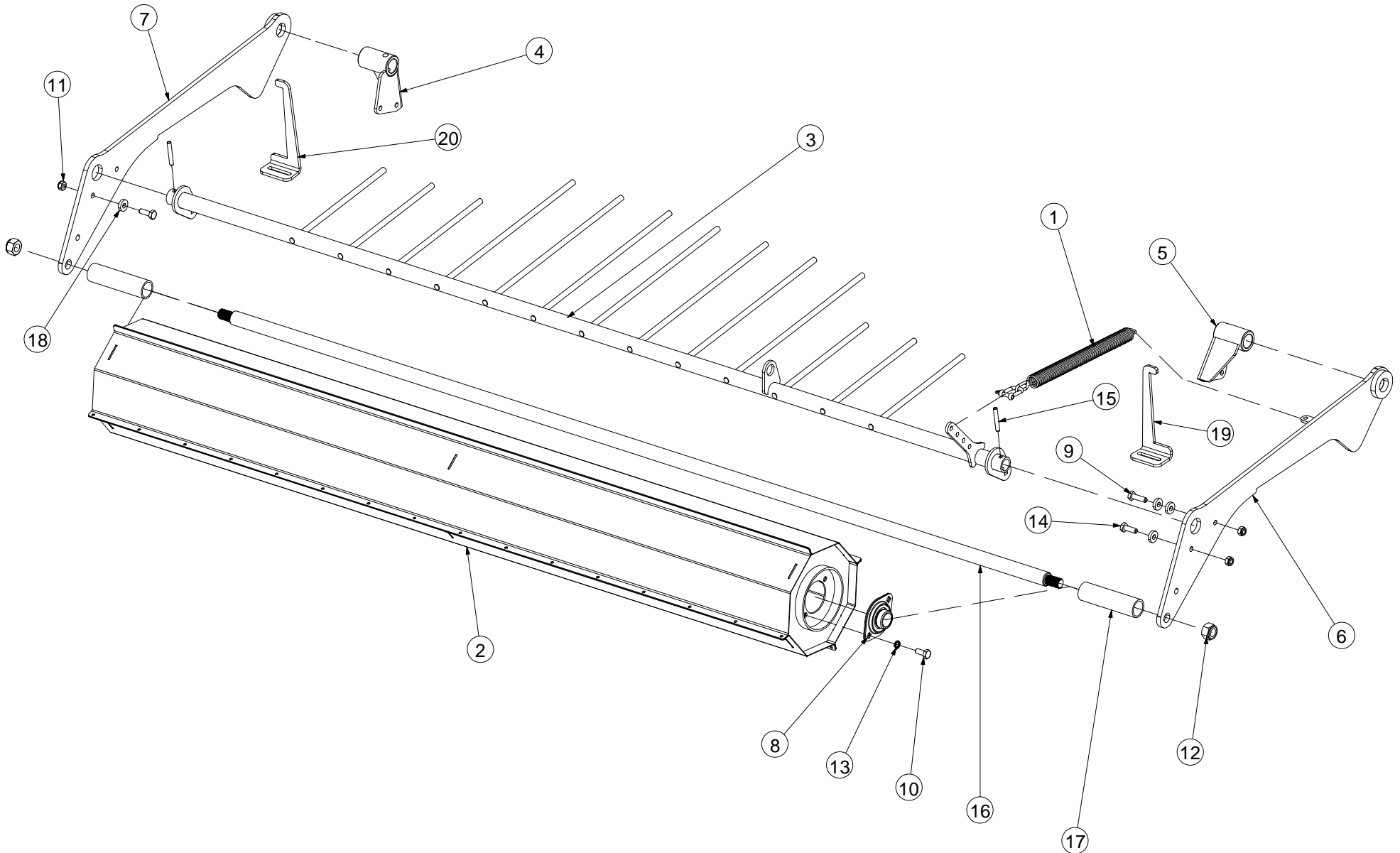
Pick-up drop floor select (803)



No.	Part No	Description	Qty
1	ACH00321	PIN CHOPPER FLOOR HINGE Z/P	2
2	ACH00323	KNIFE RELEASE LEVER ASSY	1
3	ACH01337	DROP FLOOR WELD ASM 25K SELECT	1
<i>25K FLOOR USED UP TO SERIAL No 662199 (FUSION 3), 710485 (F5), 802925 (V6) & 900299 (VARIO)</i>			
3	ACH01093	DROP FLOOR WELD ASM 23K SELECT	1
<i>23K FLOOR USED UP TO SERIAL No 656828 (FUSION 3), 708117 (F5) & 801429 (V6) - [REPLACED BY 25K STD FLOOR]</i>			
3	ACH01113	DROP FLOOR WELD ASM 15K SELECT	1
<i>15K FLOOR USED UP TO SERIAL No 710801 (F5), 803232 (V6) & 900299 (VARIO) - [REPLACED BY SUSPENSION FLOOR]</i>			
4	ACH01096	KNIFE ACTUATOR SELECT KNIFE	2
5	ACN00147	KNIFE ARM SELECTABLE FLOOR	1
<i>FROM SERIAL NO 656829/708243/801354 FOR FUSION/F5/V6 (REPLACES ACN00089)</i>			
6	ACN00127	KNIFE LEVER ARM SELECTABLE FLOOR	1
<i>FROM SERIAL NO 656829/708243/801354 FOR FUSION 3/F5/V6</i>			
7	ALA00247	DROP FLOOR RAM PIN Z/P	2
8	ALA00577	25K SELECT KNIFE ARM 1 ASSY	1
8	ALA00436	23K SELECT KNIFE ARM 1 ASSY	1
8	ALA00460	15K SELECT KNIFE ARM 1 ASSY	1
8	ALA00630	25K GERMAN SELECT ARM 1 ASSY	1
<i>** GERMAN KNIVES ONLY (25K ARM ASM) UP TO SERIAL No 659804 (FUS 3), 710086 (F5), 802638 (V6) & 900171 (VARIO)</i>			
8	ALA00488	23K GERMAN SELECT FRONT ARM ASSY	1
<i>** GERMAN KNIVES (23 KNIFE) COMPLETE ARM ASM (GERMANY) PRE 2014 MODELS ONLY</i>			
8	ALA00466	15K GERMAN SELECT ARM 1 ASSY	1
<i>** GERMAN KNIVES ONLY (15K ARM ASM) UP TO SERIAL No 659804 (FUS 3), 710086 (F5), 802638 (V6) & 900171 (VARIO)</i>			
9	ALA00437	23-25K SELECT KNIFE ARM 2 ASSY	1
9	ALA00461	15K SELECT KNIFE ARM 2 ASSY	1
9	ALA00489	23-25K GERMAN SELECT ARM 2 ASSY	1
<i>** GERMAN KNIVES (23 OR 25K ARM ASM) UP TO SERIAL No 659804 (FUS 3), 710086 (F5), 802638 (V6) & 900171 (VARIO)</i>			
9	ALA00465	15K GERMAN SELECT KNIFE ARM 2 ASSY	1
<i>** GERMAN KNIVES ONLY (15K ARM ASM) UP TO SERIAL No 659804 (FUS 3), 710086 (F5), 802638 (V6) & 900171 (VARIO)</i>			
10	CBR00068	BEARING 30X34X16 STEPPED PLAS	4
11	CBR00268	BEARING GLACIER DU 4	2
12	CEL00059	MAGNET 20 X 10 260369	2
<i>UP TO SERIAL NO 656828/708242/801353 FOR FUSION 3/F5/V6</i>			
13	CEL00154	MAGNET 60 X24 X 17	25
14	CFA00642	ROLL PIN 7X60 ZP	12
<i>UP TO SERIAL NO 657563/708623/801687 FOR FUSION 3/F5/V6</i>			
14	CFA00011	ROLL PIN 8X60 DIN 1481	12
<i>FROM SERIAL NO 657564/708624/801688 FOR FUSION 3/F5/V6</i>			
15	CFA00025	SETSCREW M10X30	4
16	CFA00051	GRUBSCREW M8X10	8
17	CFA00102	SETSCREW M8X25 Z/P	17
18	CFA00118	GREASE NIPPLE M8X1.25 STRAIGHT	2
19	CFA00123	NUT M10 NYLOC	12
20	CFA00126	NUT M14 NYLOC	4
21	CFA00132	NUT M8 NYLOC Z/P	17
22	CFA00135	WASHER FLAT 1" Z/P	8
23	CFA00147	WASHER FLAT 8MM Z/P	19
24	CFA00201	WASHER FLAT 10 MM Z/P	16
25	CFA00251	WASHER SKM10	2
26	CFA00261	SETSCREW M5X25 CSK HEX SS	2
27	CFA00311	SETSCREW M10X35 Z/P	8

No.	Part No	Description	Qty
28	CFA00348	NUT M5 NYLOC SS	2
29	CFA00380	ROLL PIN 8X40 Z/P	2
30	CFA00387	KEY 8X7X50	4
31	CFA00413	WASHER FLAT 20MM Z/P	4
32	CFA00475	SPLIT PIN 5X40 Z/P	4
33	CFA00504	ROLL PIN 12X60 Z/P	13
34	CFA00519	SETSCREW M8X16 FLD ZP	2
35	CFA00547	BOLT M14X70 Z/P	4
36	CFA00642	ROLL PIN M7X60	13
37	CFA00669	SPLIT PIN 8X50 Z/P	2
38	CFA00883	KEY 8X7X20	1
39	CFA00504	ROLL PIN 12X60 ZP	12
<i>UP TO SERIAL NO 657563/708623/801687 FOR FUSION 3/F5/V6</i>			
39	CFA01009	ROLL PIN 14 X 60 Z/P DIN 1481	12
<i>FROM SERIAL NO 657564/708624/801688 FOR FUSION 3/F5/V6</i>			
40	KCN00014	KNIFE CHOPPER UNIT STANDARD	25
40	KCN00016	KNIFE FOR FLOOR (GERMANY ONLY)	25
<i>** GERMAN KNIVES ONLY - UP TO SERIAL No 659804 (FUSION 3), 710086 (F5 SERIES), 802638 (V6) & 900171 (VARIO)</i>			
41	CMH00641	SHAFT 22 X 1310 MAGNET	1
42	CMH01496	SHAFT 35X1320 (25 KNIFE SELECT)	1
42	CMH01225	SHAFT 35X1300 (23 KNIFE SELECT)	1
42	CMH01069	SHAFT 35X1300 (15 KNIFE SELECT)	1
43	CMH01308	SHAFT 40X1320 23-25 KNIFE SELECT	1
43	CMH01358	SHAFT 40X1305 15 KNIFE SELECT	1
44	CMH01314	BUSH 30X45X20	2
45	CRA00185	RAM KNIFE ACTUATION BW	2
46	CRA00193	RAM CHOPPER FLOOR 20X40 BW	2
47	CRA00637	RAM 45X20 SELECT KNIFE	2
48	CTP00266	KNIFE ACTUATOR ARM STANDARD	13
48	ACN00055	KNIFE HOLDER GERMAN 12MM HOLE	13
<i>** GERMAN KNIVES ONLY - UP TO SERIAL No 659804 (FUSION 3), 710086 (F5 SERIES), 802638 (V6) & 900171 (VARIO)</i>			
49	CTP00360	KNIFE ARM SELECTABLE STANDARD	12
<i>STANDARD KNIVES (MUST ALSO ORDER LARGER ROLL PINS CFA00011 & CFA01009)</i>			
49	ALA00467	KNIFE ARM ASSY SELECT GERMAN	12
<i>** GERMAN KNIVES PRE 2016 MODELS ONLY (MUST ALSO ORDER LARGER ROLL PINS CFA00011 & CFA01009)</i>			
50	CTP00372	KNIFE RAM ACTUATOR	2
51	CZB00380	1.5MM D-FLOOR GUARD FUS3 & F5	1
51	AGD00002	DROP FLOOR GUARD V6 & VARIO	1
52	CZC04421	3MM L DROP FLOOR MAGNET BRACKET F5500 ONLY	1
53	CZD02628	4MM L DROP FLOOR PART	5
54	CZE00143	5MM L KNIFE BLANK BLR STANDARD	1
54	CZE00168	5MM KNIFE BLANK (GERMANY ONLY)	1
55	CZH03537	10MM L SHAFT BUSH BRACKET	4
56	CZD02647	4MM GERMAN KNIFE LOCK BRACKET	1
<i>** GERMAN KNIVES ONLY - UP TO SERIAL No 659804 (FUSION 3), 710086 (F5 SERIES), 802638 (V6) & 900171 (VARIO)</i>			

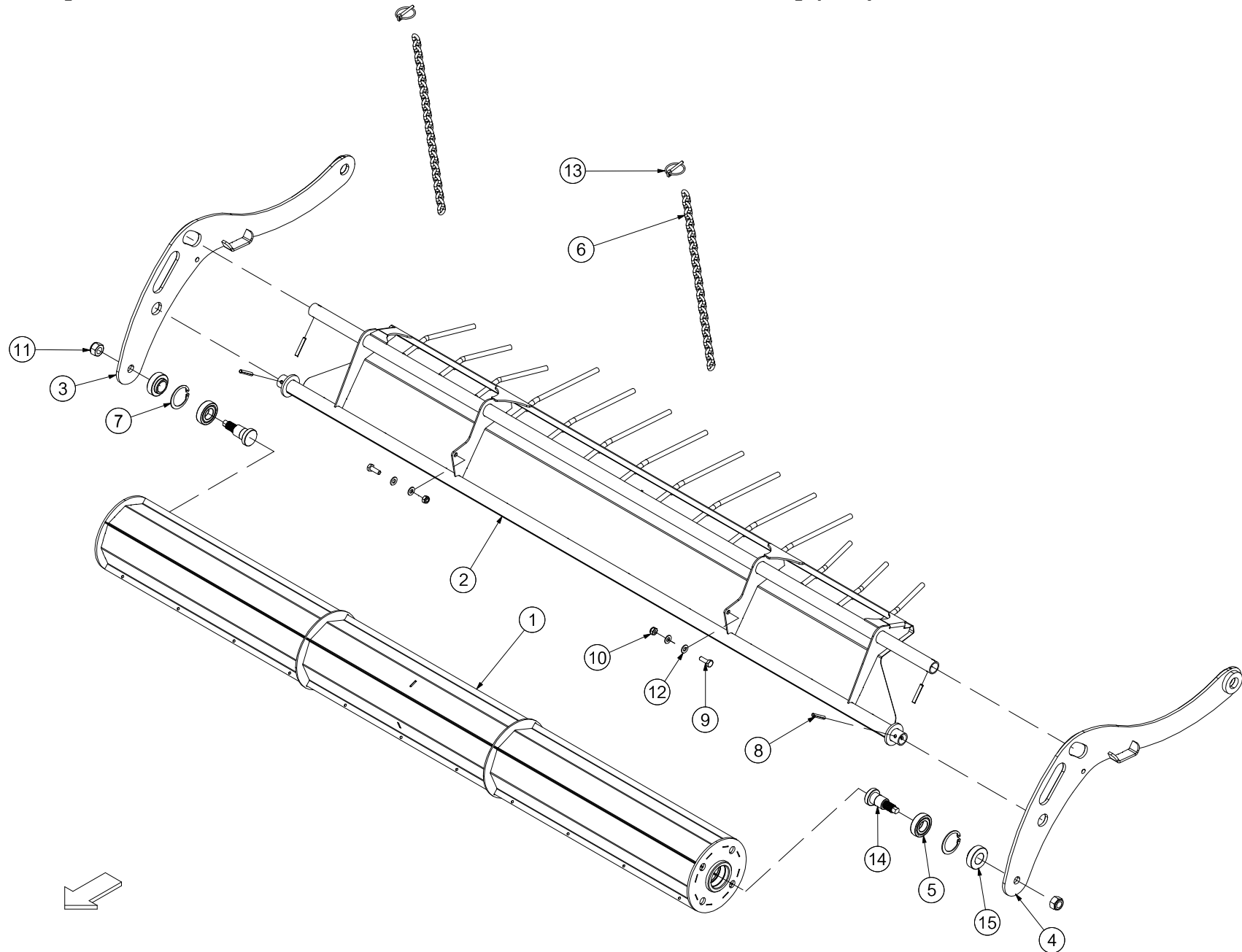
Crop roller [Used on Fusion-F5 up to Serial No 655680-706660] (502)



No. Part No	Description	Qty
0 ARC00179	CROP ROLLER KIT F5 SERIES	1
<i>COMPLETE ASM FOR F5 SERIES ONLY; INCLUDES ITEMS 1 TO 20.</i>		
0 ALA00213	CROP ROLLER COMP ASSY	1
<i>COMPLETE ASM FOR FUSION 2 ONLY; INCLUDES ITEMS 1 TO 3 & 6 TO 20.</i>		
1 ACN00064	CROP ROLLER SPRING ASSY	1
<i>FROM SERIAL NO 654342 [FUSION-2] & 704715 [F5 SERIES]</i>		
1 ACN00074	CROP ROLLER SPRING ASSY	1
<i>UP TO SERIAL NO 654341 [FUSION-2] & 704714 [F5 SERIES]</i>		
2 ALA00369	CROP ROLLER ASSY	1
<i>INCLUDES ITEMS 8, 10, 12, 13, 16 & 17</i>		
3 ALA00217	CROP ROLLER ROD ASSY	1
4 ALA00222	GRASS GUARD MOUNT BRACKET	1
<i>USED ON F5 SERIES ONLY</i>		
5 ALA00287	GRASS GUARD MOUNT BRACKET SPRING	1
<i>USED ON F5 SERIES ONLY</i>		
6 ALA00322	CROP ROLLER SIDE BRACKET LHS	1
7 ALA00323	CROP ROLLER SIDE BRACKET RHS	1
8 CBR00072	BEARING INA 2 BOLT RAE 30 NPPB	2
9 CFA00016	BOLT M10X35	1
10 CFA00024	SETSCREW M10X25 Z/P	4
11 CFA00123	NUT M10 NYLOC	3
12 CFA00129	NUT M20 NYLOC	2
13 CFA00137	WASHER SPRING M10	4
14 CFA00230	SETSCREW M10X30 Z/P	2
15 CFA00335	ROLL PIN 8X55 Z/P	2
16 CMH01086	SHAFT 30X2245 M20 THREAD	1
17 CPL00112	TUBE 40X3.7X145 PLASTIC (CROP ROLLER)	2
18 CZF04955	6MM L WASHER 10.5X25X6	4
19 CZF04990	6MM L CROP ROLL SUPPORT BRKT (L)	1
20 CZF04992	6MM L CROP ROLL SUPPORT BRKT (R)	1

No. Part No	Description	Qty
-------------	-------------	-----

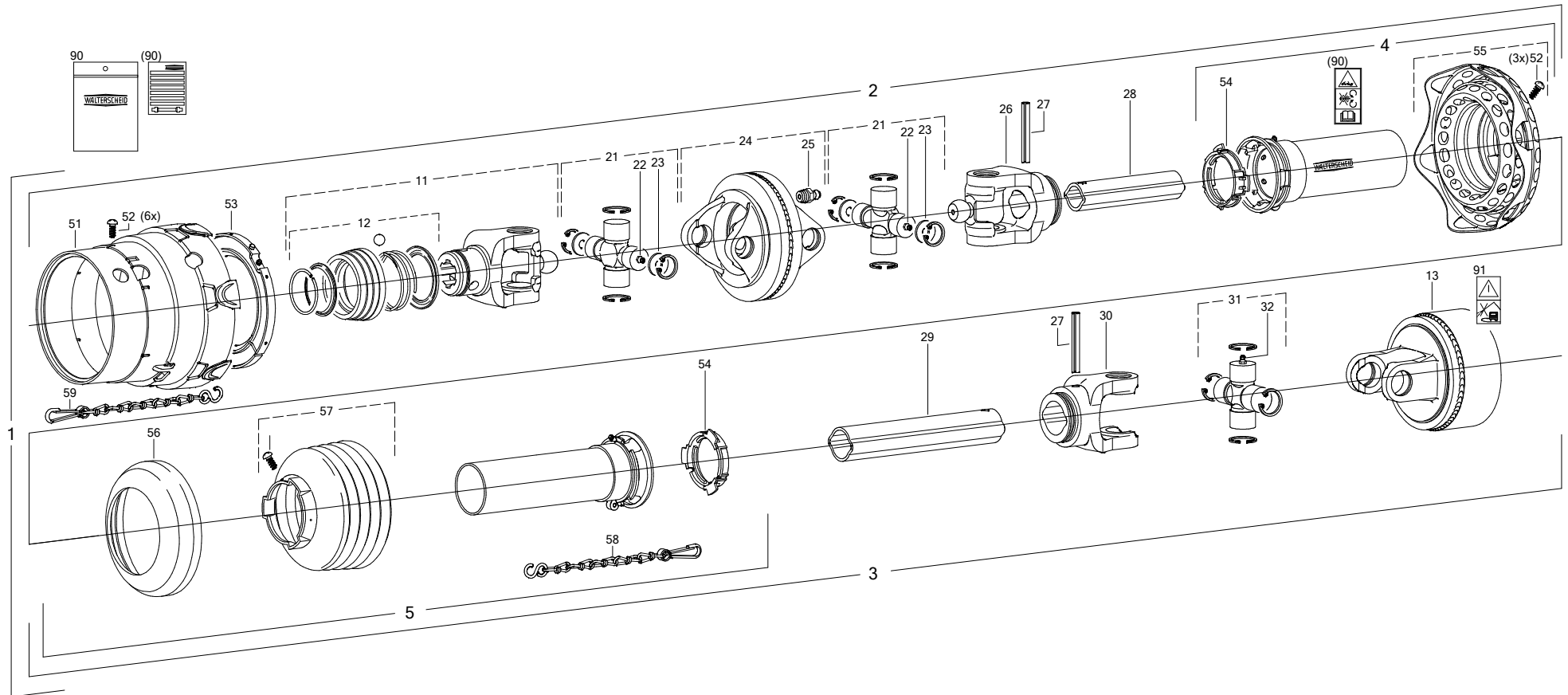
Crop roller [On Fusion-F5-V6 from Serial No 655681-706661-800616] (775)



No.	Part No	Description	Qty
1	ARC00324	CROP ROLLER WELD ASSY SMALL	1
2	ARC00325	CROP ROLLER COVER PLATE ASSY	1
3	ARC00326	CROP ROLLER SIDE PLATE ASSY (RHS)	1
4	ARC00327	CROP ROLLER SIDE PLATE ASSY (LHS)	1
5	CBR00299	BEARING 206 NPPB 30MM SPHERICAL	2
6	CCH00186	CHAIN 7X20 X 30 LINKS	2
7	CFA00002	CIRCLIP INTERNAL 20X1 DIN 472	2
8	CFA00010	ROLL PIN 8X50 Z/P	4
9	CFA00025	SETSCREW M10X30 ZP	2
<i>REPLACES CFA00016</i>			
10	CFA00123	NUT M10 NYLOC	2
11	CFA00129	NUT M20 NYLOC	2
12	CFA00201	WASHER FLAT 10 MM Z/P	4
13	CFA00202	LINCH PIN 6MM	2
14	CMH00148	SHAFT 30X95 M20 THREAD	2
15	CMH01445	BUSH 30X50X25 Z/P	2

No.	Part No	Description	Qty
-----	---------	-------------	-----

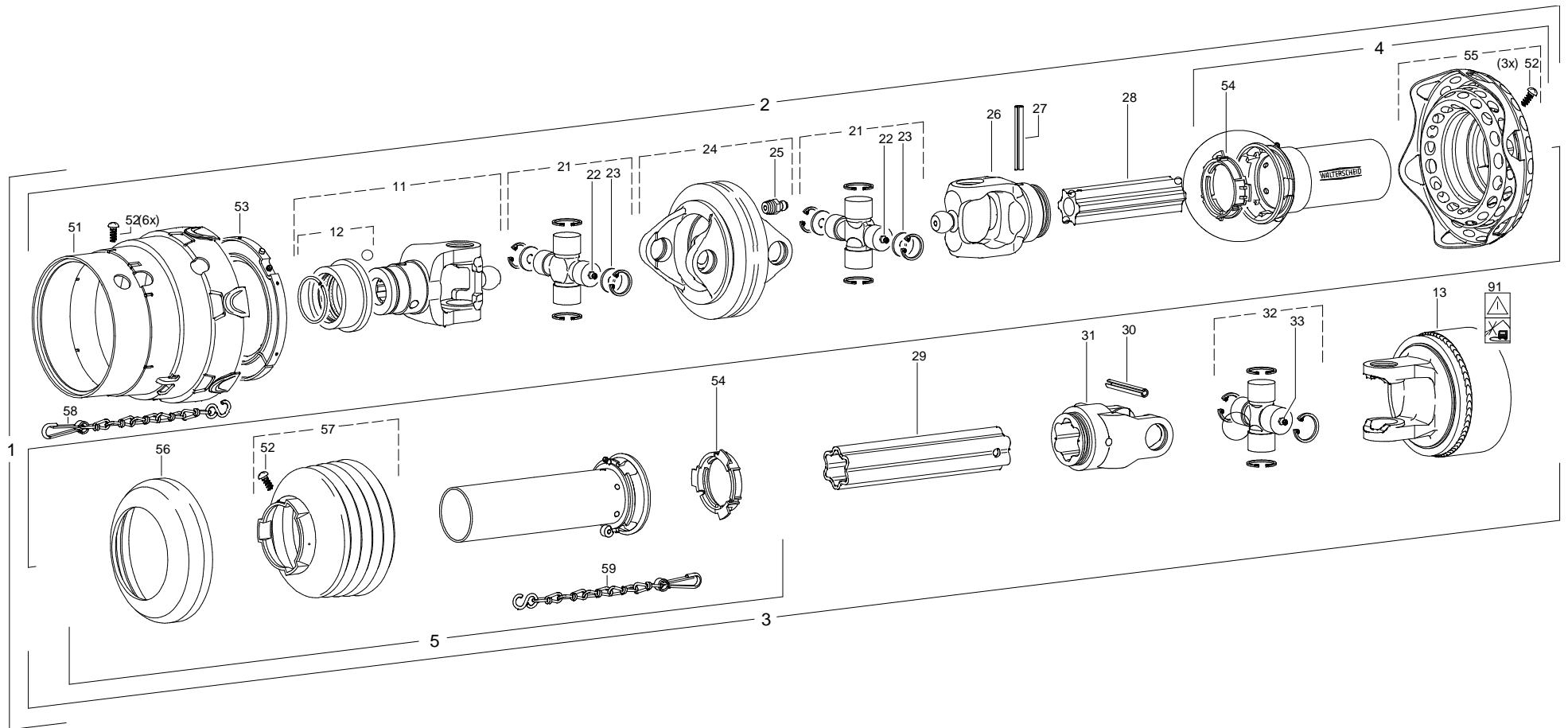
PTO shaft [WWE2480]



No.	Part No	Description	Qty
1	CMT00165	PTO SHAFT 1560MM FUSION2	1
2	CMT00178	PTO SHAFT FUS 2 TRACTOR HALF	1
3	CMT00179	PTO SHAFT FUSION 2 BALER HALF	1
4	CMT00402	PTO TUBE GUARDS FOR CMT00165	1
<i>COMPLETE SLEEVE ASM (REPLACES CMT00167 - TRACTOR HALF)</i>			
5	CMT00402	PTO TUBE GUARDS FOR CMT00165	1
<i>COMPLETE SLEEVE ASM (REPLACES CMT00168 - MACHINE HALF)</i>			
11	CMT00081	YOKE QUICK DISCONNECT 1 3/4" 6 SPLINE	1
11	CMT00186	YOKE END 1 3/4" 20 SPLINE OPTION	1
12	CMT00174	KIT QUICK RELEASE DRV SF 6 SPLINE ONLY	1
13	CMT00083	CLUTCH CAM TYPE FUSION	1
13a	CMT00471	SPRING PACK CLUTCH 2200NM K64/24	1
13b	CMT00158	CLAMP PIN BALER PTO SHAFT 7540	1
<i>BOLT-PIN TO SECURE PTO SHAFT TO PTO STUB ON MACHINE GEARBOX</i>			
21	CMT00084	UNIVERSAL JOINT TYPE 1	2
22	CFA00097	GREASE NIPPLE	2
23	CMT00085	PLATE DIA 26.95X2 FUSION PTO	4
24	CMT00086	YOKE DOUBLE WITH GREASE NIPPLE	1
25	CFA00628	GREASE NIPPLE M8X1 STRAIGHT	1
26	CMT00087	YOKE INNER SMALL PROFILE TUBE	1
27	CFA00629	SPLIT PIN 10X80	2
28	CMT00188	PROFILE TUBE COATED INNER	1
29	CMT00190	PROFILE TUBE OUTER	1
30	CMT00090	INNER YOKE LARGE PROFILE TUBE	1
31	CMT00091	UNIVERSAL JOINT TYPE 2	1
32	CFA00103	GREASE NIPPLE	1
51	CMT00169	CONE GUARD PTO FUSION	1
52	CFA00630	SCREW M4X10 FUSION PTO	10
53	CMT00093	BEARING RING LARGE DIA. FUSION	1
54	CMT00095	BEARING RING SMALL FUSION PTO	2
55	CMT00189	FLEXIBLE GUARD CONE	1
56	CMT00096	REINFORCEMENT COLLAR FUSION	1
57	CMT00097	GUARD CONE FUSION PTO	1
58	CCH00046	SAFETY CHAIN 400MM FUSION PTO	1
59	CCH00047	SAFETY CHAIN 600MM FUSION PTO	1
90	CLT00082	DECAL+MANUAL WARNING PTO SHAFT	1
91	CST00133	DECAL NO HIGH PRESSURE CLEANER	1

No.	Part No	Description	Qty
-----	---------	-------------	-----

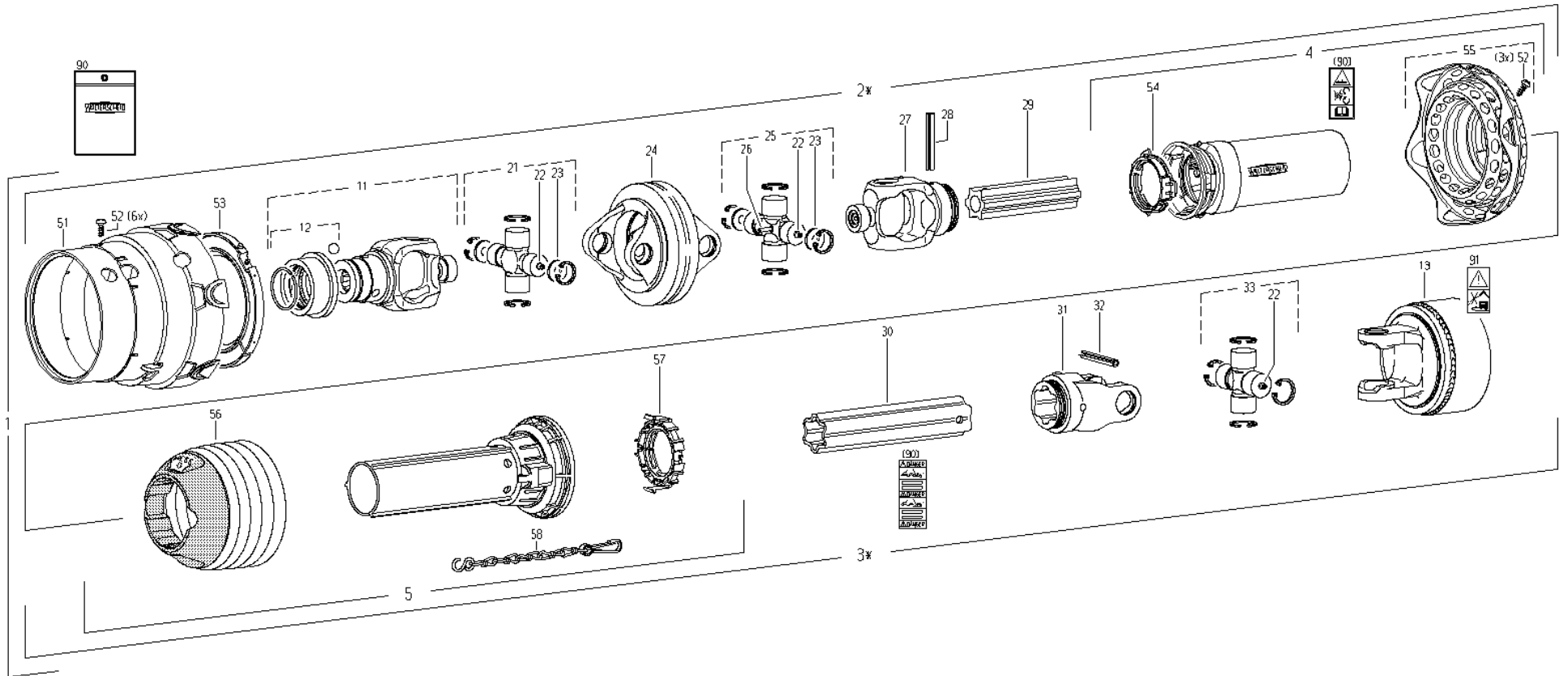
PTO shaft [WWE2580]



No.	Part No	Description	Qty
1	CMT00196	PTO SHAFT WWE2580 HEAVY	1
2	N/A	NOT AVAILABLE	1
3	N/A	NOT AVAILABLE	1
4	CMT00167	GUARD PTO TRACTOR SIDE FUSION	1
5	CMT00210	INNER GUARD HALF PTO	1
11	CMT00211	YOKE PTO	1
12	CMT00212	KIT QUICK RELEASE PTO	1
13	CMT00213	CLUTCH CAM TYPE	1
13a	CMT00158	CLAMP PIN BALER PTO SHAFT 7540	1
		<i>BOLT-PIN TO SECURE PTO SHAFT TO PTO STUB ON MACHINE GEARBOX</i>	
21	CMT00214	UNIVERSAL JOINT WIDE ANGLE TYPE	2
22	CFA00097	GREASE NIPPLE	2
23	CMT00215	PLATE DIA. 31.95X2	4
24	CMT00216	DOUBLE YOKE WITH GRASE NIPPLE	1
25	CFA00628	GREASE NIPPLE M8X1 STRAIGHT	1
26	CMT00217	YOKE WIDE ANGLE TYPE	1
27	CFA00629	SPLIT PIN 10X80	1
28	CMT00218	PROFILE TUBE INNER	1
29	CMT00219	PROFILE TUBE OUTER	1
30	CFA00871	ROLL PIN 10X90	1
31	CMT00220	YOKE PTO	1
32	CMT00221	UNIVERSAL JOINT	1
33	CFA00627	GREASE NIPPLE M8X1 90°	1
51	CMT00222	GUARD CONE	1
52	CFA00630	SCREW M4X10 FUSION PTO	10
53	CMT00170	BEARING RING PTO FUSION	1
54	CMT00095	BEARING RING SMALL FUSION PTO	2
55	CMT00189	FLEXIBLE GUARD CONE	1
56	CMT00223	COLLAR PTO GUARD	1
57	CMT00224	GUARD CONE	1
58	CCH00046	SAFETY CHAIN 400MM FUSION PTO	1
59	CCH00047	SAFETY CHAIN 600MM FUSION PTO	1
90	CLT00082	DECAL WARNING PTO SHAFT	1
91	CST00133	DECAL NO HIGH PRESSURE CLEANER	1

No.	Part No	Description	Qty
-----	---------	-------------	-----

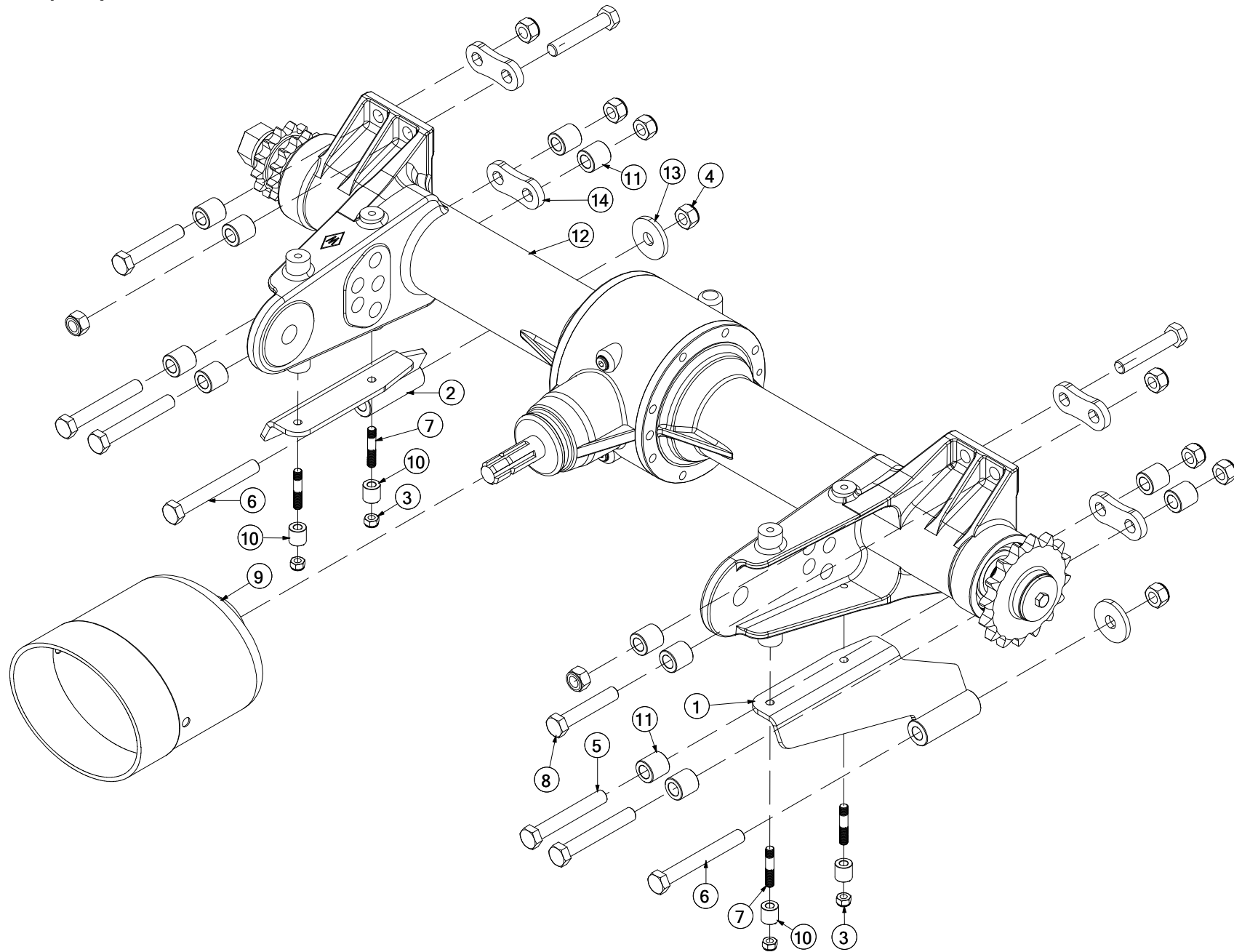
PTO shaft [PWE580]



No.	Part No	Description	Qty
1	CMT00230	PTO SHAFT P580 FUSION2 +2011	1
2	CMT00255	PTO SHAFT TRACTOR HALF P580 2011	1
3	CMT00256	PTO SHAFT BALER HALF P580 2011	1
4	CMT00231	PTO GUARD TRACTOR SIDE	1
5	CMT00232	PTO GUARD BALER SIDE	1
11	CMT00233	YOKE COMPLETE HD PTO	1
		<i>WITH STD METAL PULL RING</i>	
11	CMT00338	YOKE COMPLETE HD PTO QS	1
		<i>WITH BLACK PLASTIC QS AUTO SNAP RING</i>	
12	CMT00212	KIT QUICK RELEASE HD PTO	1
		<i>STD METAL PULL RING</i>	
12	CMT00337	KIT QUICK RELEASE HD PTO QS	1
		<i>BLACK PLASTIC QS AUTO SNAP RING</i>	
13	CMT00213	CLUTCH CAM TYPE	1
13a	CMT00471	SPRING PACK CLUTCH 2200NM K64/24	1
13b	CMT00158	CLAMP PIN BALER PTO SHAFT 7540	1
		<i>BOLT-PIN TO SECURE PTO SHAFT TO PTO STUB ON MACHINE GEARBOX</i>	
21	CMT00235	UNIVERSAL JOINT WIDE ANGLE	2
22	CFA00097	GREASE NIPPLE	3
23	CMT00215	PLATE DIA. 31.95X2	4
24	CMT00234	PTO DOUBLE YOKE	1
25	CMT00236	UNIVERSAL JOINT WIDE ANGLE	1
26	CMT00237	LUBRICATION FITTING	1
27	CMT00238	PTO YOKE	1
28	CFA00629	SPLIT PIN 10X80	1
29	CMT00218	PROFILE TUBE INNER	1
30	CMT00219	PROFILE TUBE OUTER PWE580 STAR	1
		<i>REPLACES CMT00239</i>	
31	CMT00220	YOKE PTO	1
32	CFA00871	ROLL PIN 10X90	1
33	CMT00240	PTO UNIVERSAL JOINT	1
51	CMT00222	GUARD CONE	1
52	CFA00630	SCREW M4X10 FUSION PTO	9
53	CMT00170	BEARING RING PTO FUSION	1
54	CMT00095	BEARING RING SMALL FUSION PTO	1
55	CMT00189	FLEXIBLE GUARD CONE	1
56	CMT00241	PTO GUARD CONE	1
57	CMT00242	PTO GUARD RING	1
58	CCH00046	SAFETY CHAIN 400MM FUSION PTO	1
90	CLT00326	PTO PWE580 INSTRUCTION MANUAL	1
91	CST00133	DECAL NO HIGH PRESSURE CLEANER	1

No.	Part No	Description	Qty
-----	---------	-------------	-----

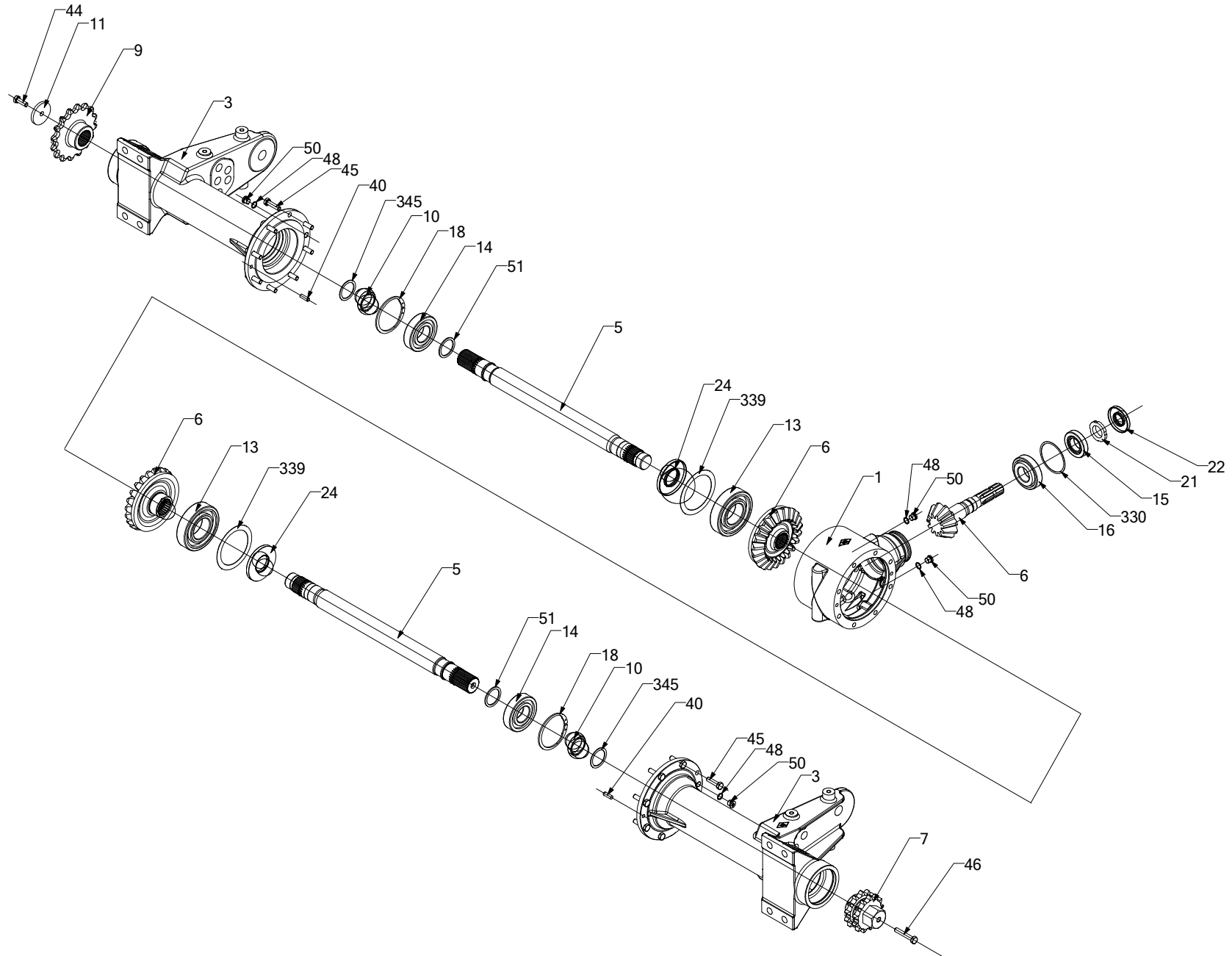
Gearbox 1 (489)



No. Part No	Description	Qty
1 ACH01160	STAY BAR ASSY LEFT FUSION 2	1
<i>ONLY REQUIRED UP TO SERIAL NO. 654864 (ORDER COMPLETE KIT REP00058)</i>		
2 ACH01161	STAY BAR ASSY RIGHT FUSION 2	1
<i>ONLY REQUIRED UP TO SERIAL NO. 654864 (ORDER COMPLETE KIT REP00058)</i>		
3 CFA00124	NUT M12 NYLOC	4
<i>ONLY REQUIRED UP TO SERIAL NO. 654864</i>		
4 CFA00418	NUT M20X1.5 NYLOC FINE THRAED	10
5 CFA00785	BOLT M20X140 FINE 10.9 SC	4
6 CFA00894	BOLT M20X160X1.5 10.9 BLACK	2
<i>ONLY REQUIRED UP TO SERIAL NO. 654864</i>		
7 CFA00897	STUD 12X50 10.9 DIN 939	4
<i>ONLY REQUIRED UP TO SERIAL NO. 654864</i>		
8 CFA02224	BOLT M20X110X1.5 10.9 BLACK	4
9 CGD00037	GUARD WALTERSCHEID GEARBOX	1
10 CMH00745	BUSH 12X25X25	4
<i>ONLY REQUIRED UP TO SERIAL NO. 654864</i>		
11 CMH01118	BUSH 20.5X35X35 Z/P	12
12 CMT00166	GEARBOX BALER WALTERSCHEID	1
13 CZG02323	8MM L 20MM WASHER PART	2
<i>ONLY REQUIRED UP TO SERIAL NO. 654864</i>		
14 CZI02039	12MM L CHASSIS PART FUSION	4

No. Part No	Description	Qty
-------------	-------------	-----

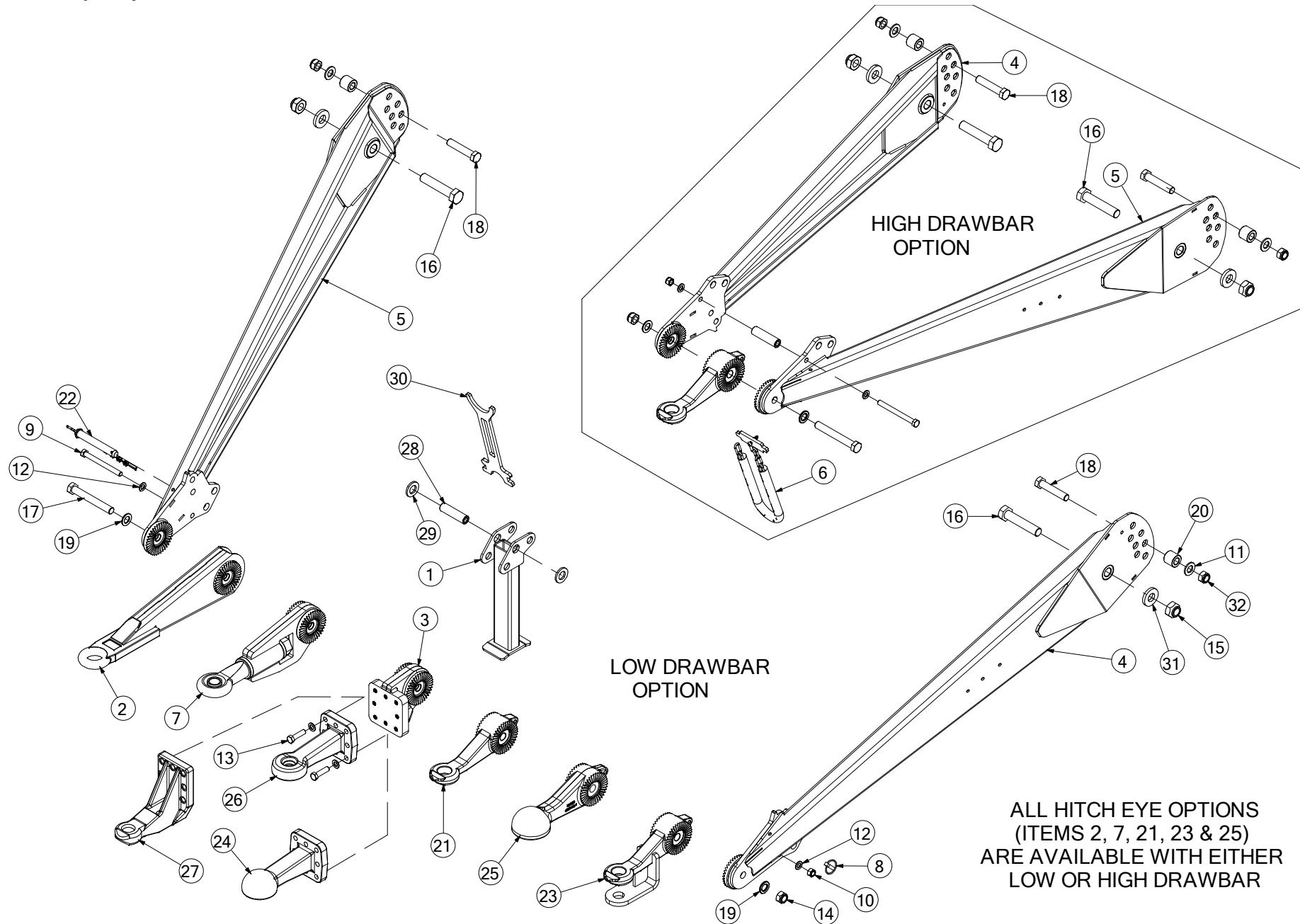
Gearbox 2 (490)



No.	Part No	Description	Qty
0	CMT00166	GEARBOX COMPLETE WALTERSCHEID	1
1	CMT00100	GEAR CASE	1
<i>UP TO SERIAL NO. 654807</i>			
1	CMT00245	GEAR CASE	1
<i>FROM SERIAL NO. 654808</i>			
3	CMT00187	BEARING HOUSING	2
<i>UP TO SERIAL NO. 654807</i>			
3	CMT00246	BEARING HOUSING	2
<i>FROM SERIAL NO. 654808</i>			
5	CMH00901	REPLACEMENT SHAFT COMPLETE KIT	2
<i>UP TO SERIAL NO. 654807</i>			
5	CMH02505	SHAFT	2
<i>FROM SERIAL NO. 654808</i>			
6	CMH00902	GEAR SET CROWN+PINION FUSION WALT.	1
<i>UP TO SERIAL NO. 654807</i>			
6	CMH02461	BEVEL GEAR PAIR AND PINION KIT	1
<i>FROM SERIAL NO. 654808</i>			
7	CMH02535	SPROCKET 13T DUPLEX	1
9	CMH02531	SPROCKET 1 1/4 16T 50MM SPLINE	1
<i>USED ON FUSION 2, FUSION 3 & FUSION 3 PLUS</i>			
9	CMH02317	SPROCKET 1 1/4 17T 50MM SPLINE	1
<i>USED ON FUSION VARIO ONLY</i>			
10	CMH00810	BUSH 45X55X18	2
11	CZE00115	BALE SPLITTER WASHER	1
13	CBR00114	BEARING 6213 C3	2
<i>UP TO SERIAL NO. 654807</i>			
13	CBR00296	BEARING 6313 C3	2
<i>FROM SERIAL NO. 654808</i>			
14	CBR00113	BEARING 6310 2RSR	2
15	CBR00115	BEARING 30208A	1
16	CBR00116	BEARING 30309A	1
18	CFA00652	CIRCLIP 110X4	2
21	CFA00653	NUT M40X1.5	1
22	CSE00132	RADAIL SEAL 35X80X10	1
24	CSE00133	RADAIL SEAL 50X90X10	2
<i>UP TO SERIAL NO. 654807</i>			
24	CSE00162	SEAL RADIAL 50X110X10	2
<i>FROM SERIAL NO. 654808</i>			
40	CFA00662	CYLINDRICAL DOWEL M6X32	2
44	CFA00033	SETSCREW M12X35 Z/P	1
45	CFA00065	SETSCREW M12X45 Z/P	16
46	CFA00036	SETSCREW M12X70 Z/P	1
48	CSE00127	SEAL O-RING COPPER GEARBOX FSN	4
50	CMT00073	DRAIN PLUG GEARBOX FUSION	4
51	CMH00903	BUSH	2
<i>UP TO SERIAL NO. 654807</i>			
51	CMH02460	SPACER RING 50X62X3 DIN988	2
<i>FROM SERIAL NO. 654808</i>			
330	CFA00654	SHIM 90X100X0.1	2
330	CFA00655	SHIM 90X100X0.3	1
330	CFA00656	SHIM 90X100X0.5	1
330	CFA00657	SHIM 90X100X1.0	1

No.	Part No	Description	Qty
330	CFA02237	SHIM 90X100X0.15	1
339	CFA00658	SHIM 110X120X0.1	2
<i>UP TO SERIAL NO. 654807</i>			
339	CFA00659	SHIM 110X120X0.3	2
<i>UP TO SERIAL NO. 654807</i>			
339	CFA00660	SHIM 110X120X0.5	2
<i>UP TO SERIAL NO. 654807</i>			
339	CFA00661	SHIM 110X120X0.5	1
<i>UP TO SERIAL NO. 654807</i>			
339	CFA02238	SHIM 110X120X0.15	2
<i>UP TO SERIAL NO. 654807</i>			
339	CFA00888	SHIM 110X140X0.1	2
<i>FROM SERIAL NO. 654808</i>			
339	CFA00889	SHIM 110X140X0.3	2
<i>FROM SERIAL NO. 654808</i>			
339	CFA00890	SHIM 110X140X0.5	2
<i>FROM SERIAL NO. 654808</i>			
339	CFA00891	SHIM 110X140X1.0	1
<i>FROM SERIAL NO. 654808</i>			
345	CFA02239	SHIM 50X62X2.0	2
400	REP00025	GEARBOX REPAIR KIT	1
<i>UP TO SERIAL NO. 654807</i>			
500	REP00059	GEARBOX REPAIR KIT	1
<i>FROM SERIAL NO. 654808</i>			

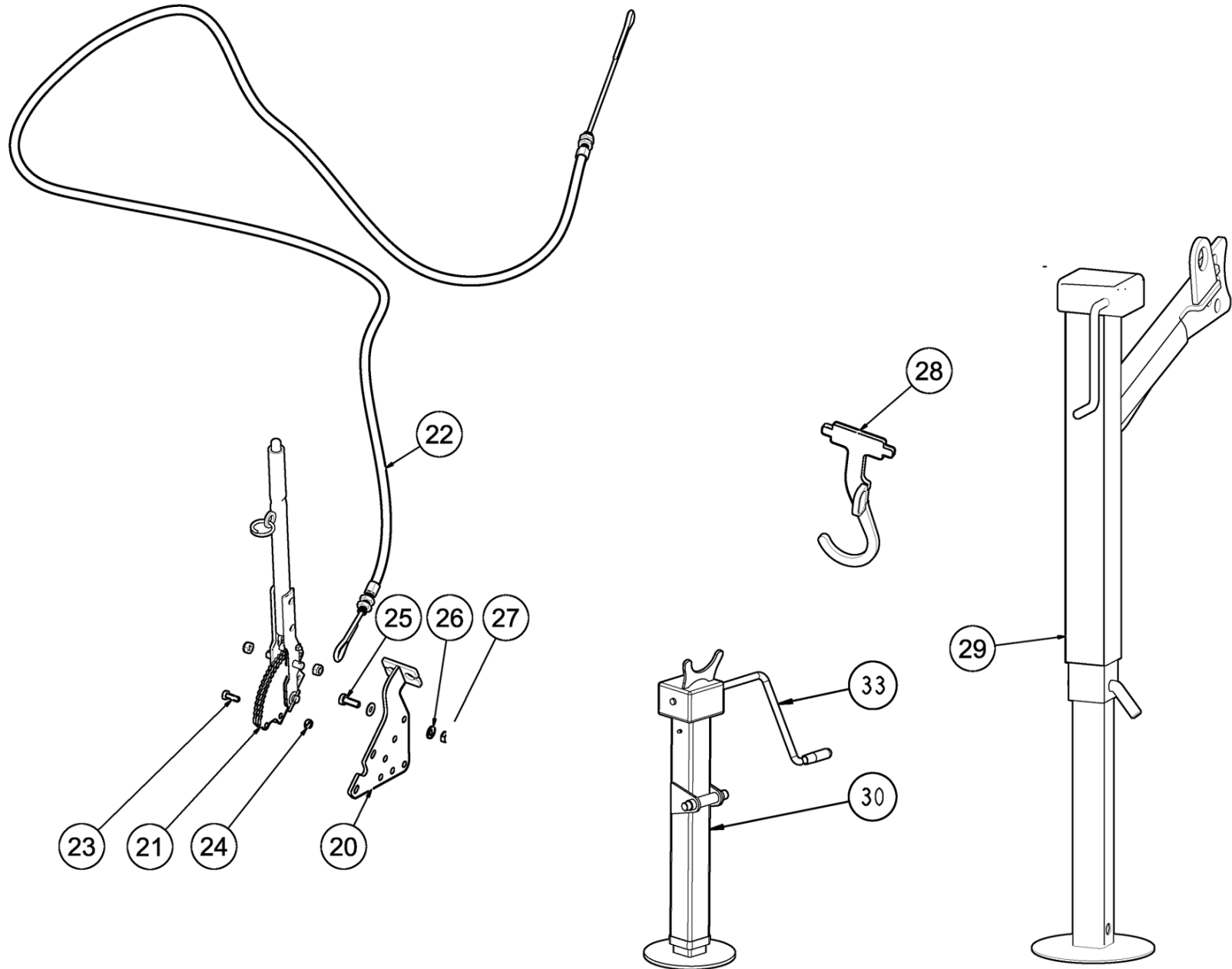
Drawbar (952)



No.	Part No	Description	Qty
0	ABD00140	DRAWBAR COMPLETE ASSEMBLY HD <i>INCLUDES STANDARD HITCH EYE ITEM 21</i>	1
1	ADB00068	DRAWBAR STAND SWIVEL STANDARD	1
2	ADB00083	HITCH EYE 600MM CTR (NORWAY) <i>OPTIONAL</i>	1
3	ADB00095	GERMAN COUPLING ADAPTOR 8-HOLE <i>NO LONGER AVAILABLE</i>	1
4	ADB00141	DRAWBAR WELD (LEFT) FUSION	1
5	ADB00142	DRAWBAR WELD (RIGHT) FUSION	1
6	ADB00163	HIGH DRAWBAR PTO HOLDER <i>PTO HOLDER FOR HIGH DRAWBAR OPTION ONLY (REPLACES ADB00100)</i>	1
7	ADB00174	HITCH EYE SWIVEL 50MM FUSION 3 <i>OPTIONAL</i>	1
8	CFA00005	LINCH PIN 10MM	1
9	CFA00061	BOLT M16X170 ZP DIN931 8.8 Z/P	1
10	CFA00128	NUT M16 NYLOC	1
11	CFA00135	WASHER FLAT 1" Z/P	2
12	CFA00140	WASHER FLAT 16MM Z/P	10
13	CFA00409	BOLT M16 X 60 Z/P	8
14	CFA00130	NUT M24 STD NYLOC Z/P	1
15	CFA00420	NUT M30X2 NYLOC DIN985 8.8 Z/P	2
16	CFA00522	BOLT M30X2X150 DIN960 10.9 Z/P	2
17	CFA00795	BOLT M24X3X180 STD GRADE 8.8 Z/P	1
18	CFA00748	BOLT M24X2X120 DIN960 10.9 Z/P	2
19	CFA00796	WASHER PEINER M24 GALV DIN6916	2
20	CMH01005	BUSH 44.45X20X40	2
21	ADB00150	HITCH EYE COUPLING RING STD Ø40 <i>STANDARD HITCH EYE (ADB00150 IS A DIRECT REPLACEMENT FOR CTP00092 & CTP00317)</i>	1
22	CTP00265	PIN HITCH 1" BALER DRAWBAR	1
23	CTP00274	HITCH EYE AMERICIAN BALER <i>OPTIONAL</i>	1
24	CTP00292	COUPLING HEAD BALL K80-3192 8H <i>NO LONGER AVAILABLE - ORDER ADB00198 (ITEM 25)</i>	1
25	ADB00198	K80 ISO24347 BALL COUPLER SPOON <i>OPTIONAL</i>	1
26	CTP00367	HITCH EYE 100X110 DIN11026 40Ø <i>NO LONGER AVAILABLE - ORDER ADB00150 (ITEM 21)</i>	1
27	CTP00469	HITCH EYE_00.652.50.1-A02_DIN11026 <i>NO LONGER AVAILABLE - ORDER ADB00150 (ITEM 21)</i>	1
27a	CFA02275	SETSCREW M16X60 SOC CAP 10.9 Z/P <i>USED IN BOTTOM CENTRE HOLE</i>	1
27b	CFA00783	WASHER NL16 NORD-LOCK <i>USED IN BOTTOM CENTRE HOLE</i>	1
28	CXT00419	BUSHING C030X7X112	1
29	CZF04263	6MM L DRAWBAR WASHER Z/P	2
30	CZH02914	10MM L PTO SUPPORT STAND BALER <i>PTO HOLDER FOR LOW DRAWBAR OPTION ONLY</i>	1
31	CZH04335	10MM L WASHER 30X65X10 Z/P	2
32	CFA00419	NUT M24X2 NYLOC DIN985 8.8 Z/P	2

No.	Part No	Description	Qty
-----	---------	-------------	-----

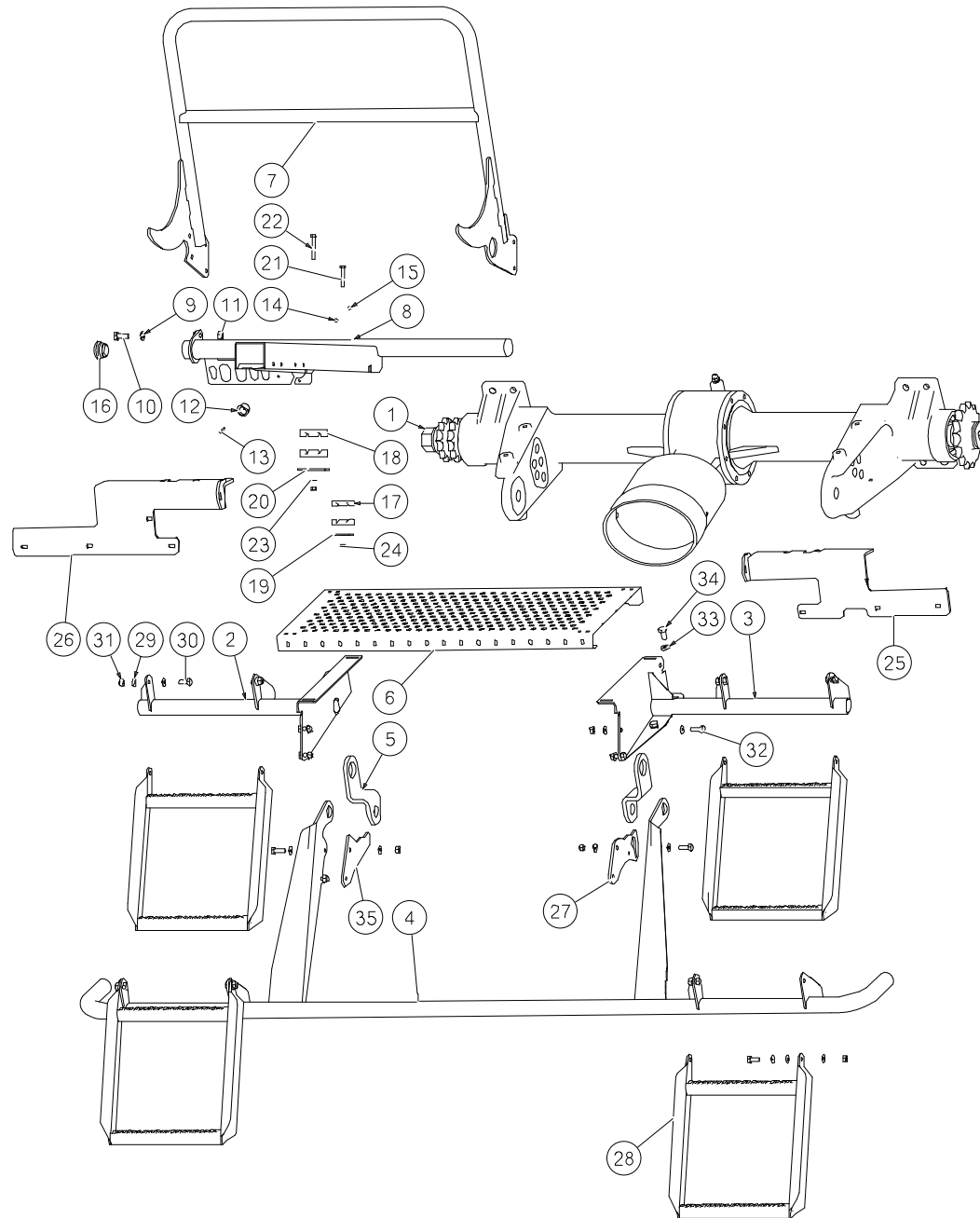
Screw jack & Handbrake (704)



No.	Part No	Description	Qty
20	ADB00096	HAND BRAKE BRACKET	1
21	CAX00090	HAND BRAKE LEVER	1
22	CTP00300	HAND BRAKE CABLE	2
<i>UP TO SERIAL NO. 653703</i>			
22	CTP00333	HAND BRAKE CABLE	2
<i>FROM SERIAL NO. 653704</i>			
23	CFA00102	SETSCREW M8 X 25 Z/P	2
24	CFA00132	NUT M8 NYLOC Z/P	4
25	CFA00230	STESCREW M10 X 30 Z/P	3
26	CFA00201	WASHER FLAT 10MM Z/P	6
27	CFA00123	NUT M10 NYLOC	3
28	ADB00100	PTO HANGER FOR HIGH HITCH	1
<i>REPLACED BY ADB00163 (CHAIN TYPE) USED ON HIGH HITCH ONLY</i>			
29	ADB00119	STAND HIGH HITCH	1
30	ACH00708	PARKING JACK ADJ FUS F5 RANGE	1
<i>REPLACES CTP00294 (INCLUDES ITEM 33)</i>			
33	CTP00297	PARKING JACK HANDLE	1

No.	Part No	Description	Qty
-----	---------	-------------	-----

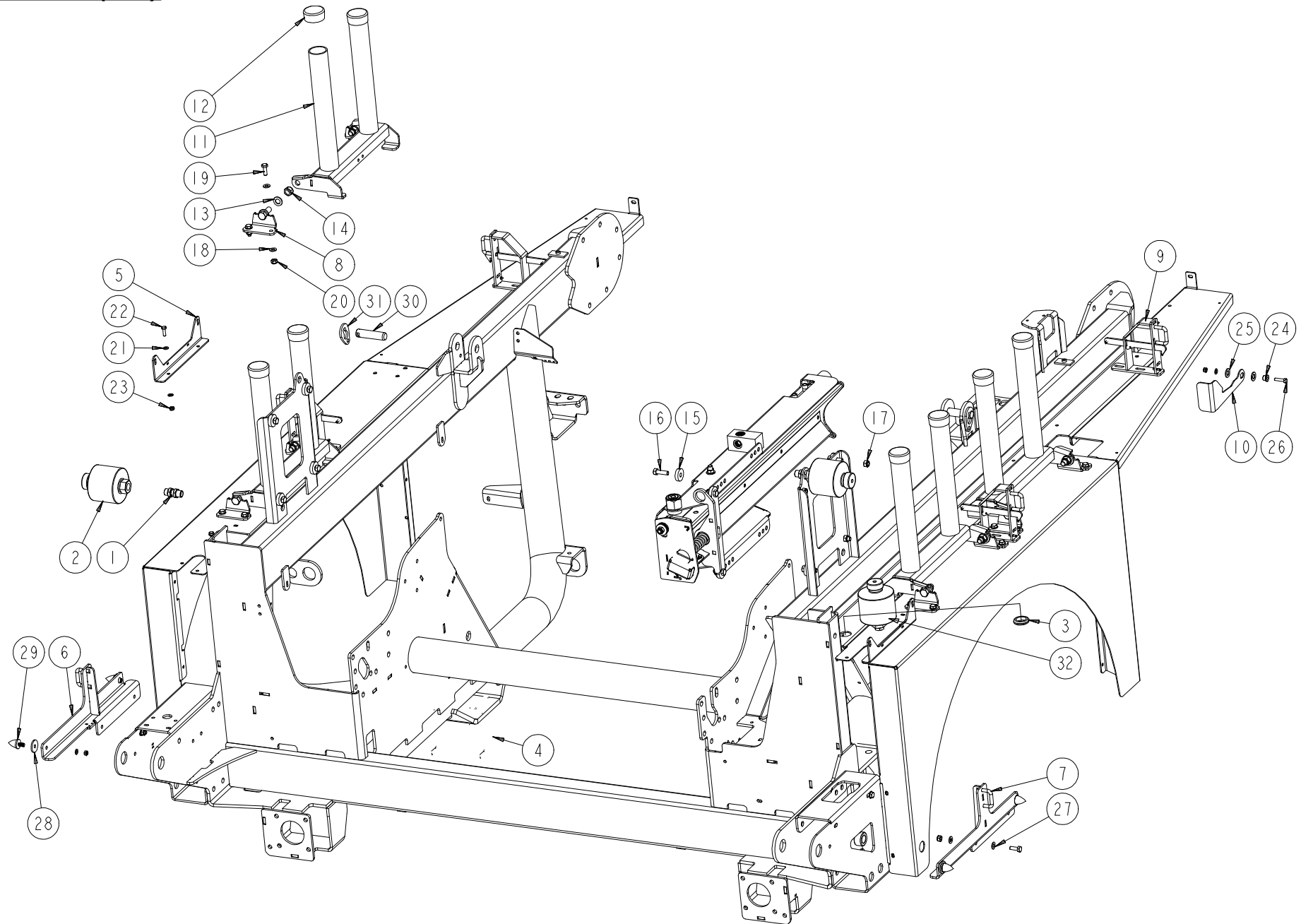
Steps & Platform (533)



No.	Part No	Description	Qty
1	CMT00166	GEARBOX ASSY ST BALER	1
2	ALA00156	STEP WELD ASSY (RIGHT)	1
3	ALA00157	STEP WELD ASSY (LEFT)	1
4	CGD00105	GUARD FRONT BALER WELD	1
5	CZH03318	10MM L LIFTING EYE FUSION	2
6	CTP00278	PLATFROM BALER	1
7	ACH02249	PLATFROM GUARD RAIL	1
8	ACN00059	HOSE TRAY FRONT FUSION II WELD ASSY	1
9	CFA00138	WASHER FLAT 12MM Z/P	2
10	CFA00032	SETSCREW M12X30 Z/P	1
11	CFA00124	NUT M12 NYLOC	1
12	CMH00873	BLANKING CAP BRAKE QR ZP	1
13	CFA00261	SETSCREW M5X25 CSK HEX SS	1
14	CFA00337	WASHER FLAT 5MM Z/P	1
15	CFA00321	NUT M5 NYLOC	1
16	CPL00086	BLANKING CAP 40MM ID	2
17	CFA00182	16MM HOSE CLAMP	2
18	CFA00203	20MM HOSE CLAMP	2
19	CFA00183	HOSE CLAMP COVER PLATE 14-18	1
20	CFA00584	HOSE CLAMP COVER PLATE 30MM	1
21	CFA00210	SETSCREW M8X50 Z/P	1
22	CFA00340	BOLT M8X60 Z/P	1
23	CFA00147	WASHER FLAT 8MM Z/P	4
24	CFA00132	NUT M8 NYLOC Z/P	2
25	ALA00274	PLATFORM FRAME LEFT FUSION II	1
26	ALA00275	PLATFORM FRAME RIGHT FUSION II	1
27	CZF04730	6MM L FRONT GUARD PART	1
<i>UP TO SERIAL NO. 654864</i>			
27	CZF05868	6MM L FRONT GUARD PART	1
<i>FROM SERIAL NO. 654865</i>			
28	ART00091	PIVOT STEP ASSEMBLY	4
29	CFA00201	WASHER FLAT 10 MM Z/P	40
30	CFA00024	SETSCREW M10X25 Z/P	8
31	CFA00123	NUT M10 NYLOC	16
32	CFA00025	SETSCREW M10X30	8
33	CFA00138	WASHER FLAT 12MM Z/P	4
34	CFA00031	SETSCREW M12X25 Z/P	4
35	CZF04636	6MM L FRONT GUARD PART	1
<i>UP TO SERIAL NO. 654864</i>			
35	CZF05869	6MM L FRONT GUARD PART	1
<i>FROM SERIAL NO. 654865</i>			

No.	Part No	Description	Qty
-----	---------	-------------	-----

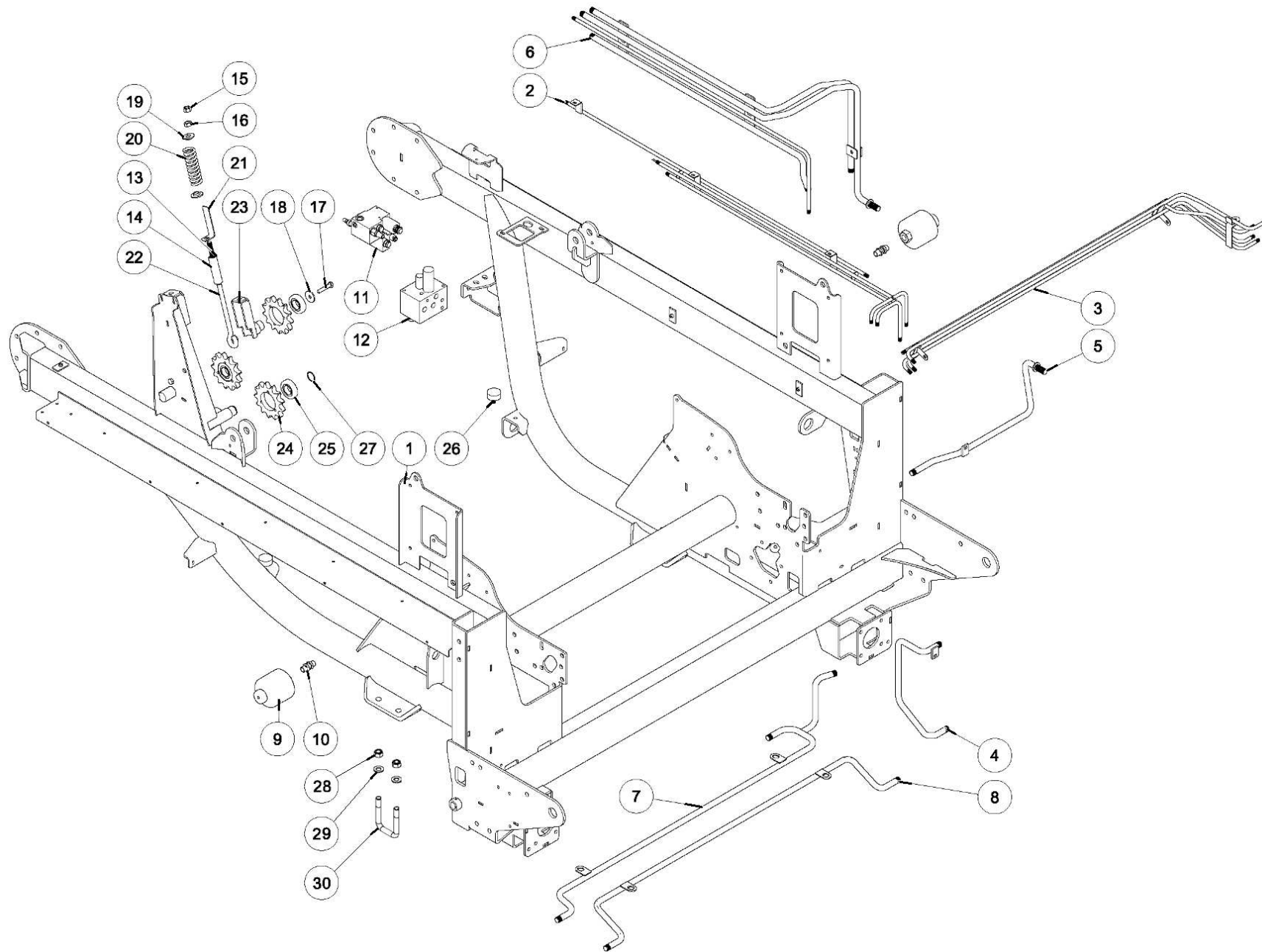
Chassis 1 (486)



No.	Part No	Description	Qty
1	CHY00043	ADAPTOR BULKHEAD 1/2" BSP	2
2	CVA03011	ACCUMULATOR 0.7 LITRE 70 BAR	2
3	CFA00790	GROMMET 32X49X11	1
4	CFA02240	U BOLT M20X1.5X101X130	4
5	CZD02472	4MM L CHASSIS PART FUSION	2
6	ACH00412	DOOR LOCK BRACKET LEFT	1
7	ACH00413	DOOR LATCH BRACKET R	1
8	ACH00415	HINGE FILM ROLL HOLDER BALER	8
9	ACH00411	DOOR STRIKER ASSY	4
10	CZD02543	4MM L GREASE CARTRIDGE LATCH	1
11	ADP00094	SPARE FILM ROLL HOLDER	4
12	CBC00007	CAP PLAS BLACK 2.3/8" OSF	8
13	CFA00140	WASHER FLAT 16MM Z/P	8
14	CFA00128	NUT M16 NYLOC	8
15	CZH02119	10MM L WASHER 10X40X12	8
16	CFA00324	SETSCREW M12X40 Z/P	8
17	CFA00124	NUT M12 NYLOC	8
18	CFA00201	WASHER FLAT 10 MM Z/P	36
19	CFA00025	SETSCREW M10X30	20
20	CFA00123	NUT M10 NYLOC	20
21	CFA00147	WASHER FLAT 8MM Z/P	13
22	CFA00407	BOLT M8X25 Z/P	4
23	CFA00132	NUT M8 NYLOC Z/P	9
24	CMH00742	BUSH 8X20X13 Z/P	1
25	CFA00222	WASHER FLAT 14MM Z/P	2
26	CFA00055	BOLT M8X35 Z/P	1
27	CFA00251	WASHER SKM10	4
28	CZD00118	4MM L CUT& TIE SPACER	4
29	CBE00028	BUFFER RUBBER 30X36 M8/27 57SH	4
30	CMH00422	PIN 25 X 100 MILLED FOR CAP Z/P	2
31	CZF00293	6MM L CAP SHORT FOR 25MM PINS	2
32	CVA00337	ACCUMULATOR 0.075L 150 BAR	1

No.	Part No	Description	Qty
-----	---------	-------------	-----

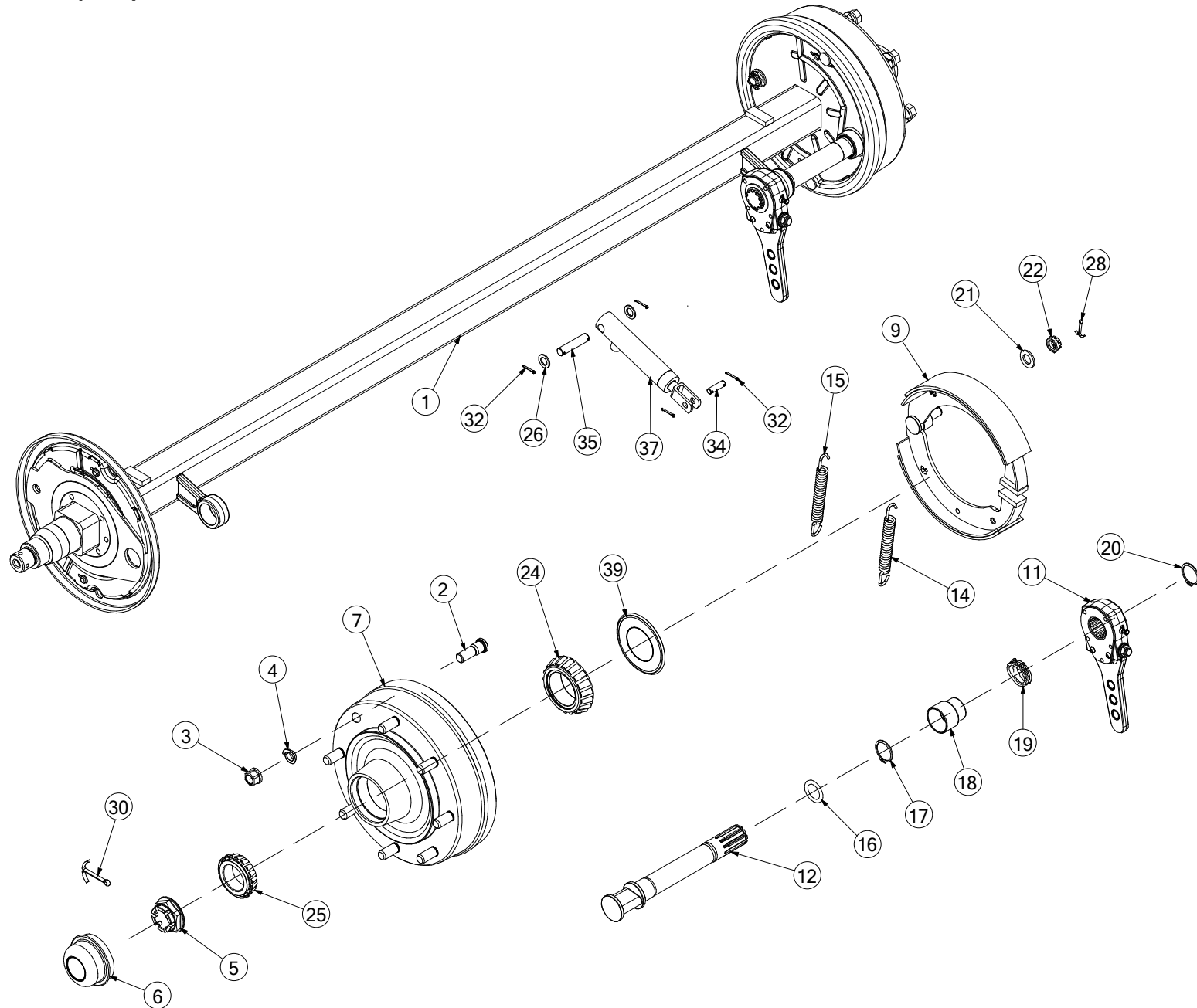
Chassis 2 (487)



No.	Part No	Description	Qty
1	ACH00895	CHASSIS WELD ASSY FUSION	1
2	CHY00922	STL PIPING CHASSIS FUSION II	1
3	CHY00916	STL PIPING CHASSIS FUSION II	1
4	CHY00912	STL PIPING CHASSIS FUSION II	1
5	CHY00911	STL PIPING CHASSIS FUSION II	1
6	CHY00910	STL PIPING CHASSIS FUSION II	1
7	CHY00896	STEEL PIPE FUSION II BACK MOTORS	1
8	CHY00928	ASSY STL PIPE FUSION II BACK	1
9	CVA03011	ACCUMULATOR 0.7 LITRE 70 BAR	2
10	CHY00043	ADAPTOR BULKHEAD 1/2" BSP	2
11	CVA00157	VALVE ASY ROTATION & TIP BALER	1
12	CVA00569	VALVE KNIFE/FLOOR ASSY	1
13	ACH00436	CHAIN TENSIONER ASSY BALER	1
<i>COMPLETE ASSEMBLY - INCLUDES ITEMS 14 THROUGH 25</i>			
14	CMH00933	BUSH 20X30X105	1
15	CFA00231	NUT M16 Z/P	1
16	CFA00231	NUT M16 Z/P	1
17	CFA00076	BOLT M12X60 Z/P	1
18	CZD02186	4MM L WASHER 50X13X4	1
19	CMH00464	BUSH 45X17X10 STEPPED 25	2
20	CSG00025	SPRING COMPX8.5X44.8X140X10	1
21	CZC02057	3MM L CHAIN TENSIONER BRCKT	1
22	CFA00672	EYE BOLT 16MM SPRING TENSIONER	1
23	ACH00244	CHAIN TENSIONER WELD ASSY BALER	1
24	ACH00580	KIT 13T SPROCKET TENSIONER 6207 BEARING	3
<i>UP TO SERIAL NO. 654732</i>			
24	CMH01252	SPROCKET 1 1/4" 13 TOOTH	3
<i>FROM SERIAL NO. 654733 (6307 BEARING)</i>			
24a	CFA00882	CIRCLIP 80MM INTERNAL	3
<i>FROM SERIAL NO. 654733 (6307 BEARING)</i>			
25	CBR00062	BEARING RADIAL 6207LLU (SKF)	3
<i>UP TO SERIAL NO. 654732</i>			
25	CBR00294	BEARING RADIAL 6307 2RS	3
<i>FROM SERIAL NO. 654733</i>			
26	CMH01114	DOOR STOP BOTTOM DOOR FUSION 2	2
27	CFA00514	CIRCLIP 35MM EXTERNAL	2
28	CFA00418	NUT M20X1.5 NYLOC FINE GRD 10	8
29	CFA02223	WASHER PEINER M21 GALV DIN6916	8
30	CFA02240	U BOLT M20X1.5X101X130	4
<i>SOLD IN SETS OF 4. ALL U-BOLTS SHOULD BE REPLACED IN THE EVENT OF ANY SINGLE FAILURE.</i>			

No.	Part No	Description	Qty
-----	---------	-------------	-----

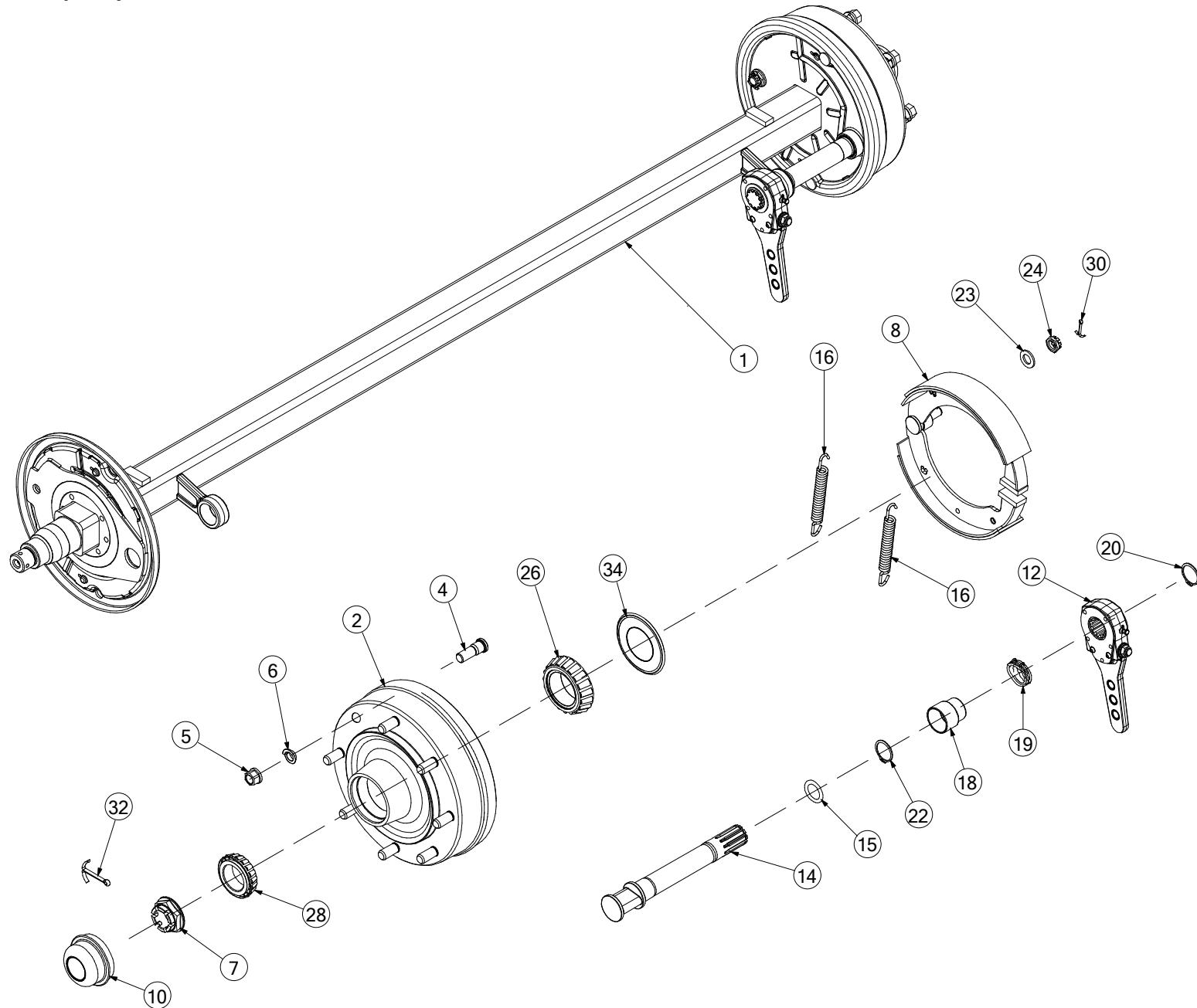
Axle Hyd-brake (941)



No.	Part No	Description	Qty
1	CAX00096	AXLE 80MM FUSION 300X90 HYD BRAKE	1
<i>COMPLETE AXLE ASM INCLUDING ITEMS 2 THROUGH 39</i>			
2	CAX00055	STUD FOR AXLE B80L030D/S	16
3	CAX00056	NUT M18X1.5X27AF AX B80L030D/S	16
4	CAX00057	WASHER 18MM AXLE B80L030D/S	16
5	CAX00059	HUB NUT (B80L030D/S) 328F014	2
6	CAX00098	HUB CAP FUSION 307F050	2
7	CAX00099	BRAKE HUB FUSION2 300X90 ASSY	2
<i>INCLUDES ITEMS 2, 24, 25 & 39</i>			
9	CAX00112	BRAKE SHOE ASM 300X90 CAX00096	2
<i>INCLUDES SPRINGS (ITEMS 14 & 15)</i>			
11	CAX00132	ADJUSTABLE BRAKE LEVER FAD 320F082	2
12	CAX00183	CAMSHAFT CAX00096 HYD BRAKE S/N 653704 ON	2
<i>USED FROM SERIAL No 653704</i>			
12	CAX00199	CAMSHAFT SHORT CAX00096 HYD BRAKE UP TO S/N 653703	2
<i>USED UP TO SERIAL No 653703</i>			
14	CAX00185	SPRING CAX00096 HYD BRAKE 322F005	2
15	CAX00186	SPRING CAX00096 HYD BRAKE 322F006	2
16	CAX00187	O RING CAX00096/101 BRAKE 341F069	2
17	CAX00189	CIRCLIP CAX00096 BRAKE 341F043	2
18	CAX00190	SLEEVE CAX00096/101 BRAKE 349F0341	2
19	CAX00191	SPRING CLIP CAX00096/101 BRAKE 322F046	2
20	CAX00192	CIRCLIP CAX00096/101 BRAKE 341F044	2
21	CAX00193	WASHER 17X30X1.6 CAX00096 BRAKE 329F011	2
22	CAX00194	NUT CASTLE M18X1.5 CAX00096 BRAKE 328F002	2
24	CBR00100	BEARING WHEEL 32215 FUSION	2
<i>PART OF WHEEL BEARING KIT CAX00121 (ITEMS 24, 25 & 39)</i>			
25	CBR00282	WHEEL BEARING 32212	2
<i>USED FROM SERIAL No 653704 (PART OF WHEEL BEARING KIT CAX00121)</i>			
25	CBR00099	BEARING WHEEL 32211 FUSION	2
<i>USED UP TO SERIAL No 653703 (PART OF WHEEL BEARING KIT CAX00121)</i>			
26	CFA00413	WASHER FLAT 20MM ZP	4
28	CFA00322	SPLIT PIN 3X50 Z/P	2
30	CFA00410	SPLIT PIN 6X90	2
32	CFA00450	SPLIT PIN 4X36 ZP	8
34	CMH00829	PIN 14X50 & 2 4.5 HOLES 344FM04	2
35	CMH00830	PIN 20X90 & 2 4.5 HOLES 344FM11	2
37	CRA00100	RAM BRAKE OPERATING 998/FUSION	2
39	CSE00014	SEAL HUB 80L030D/S FUSION BRAKE	2
<i>PART OF WHEEL BEARING KIT CAX00121 (ITEMS 24, 25 & 39)</i>			

No.	Part No	Description	Qty
-----	---------	-------------	-----

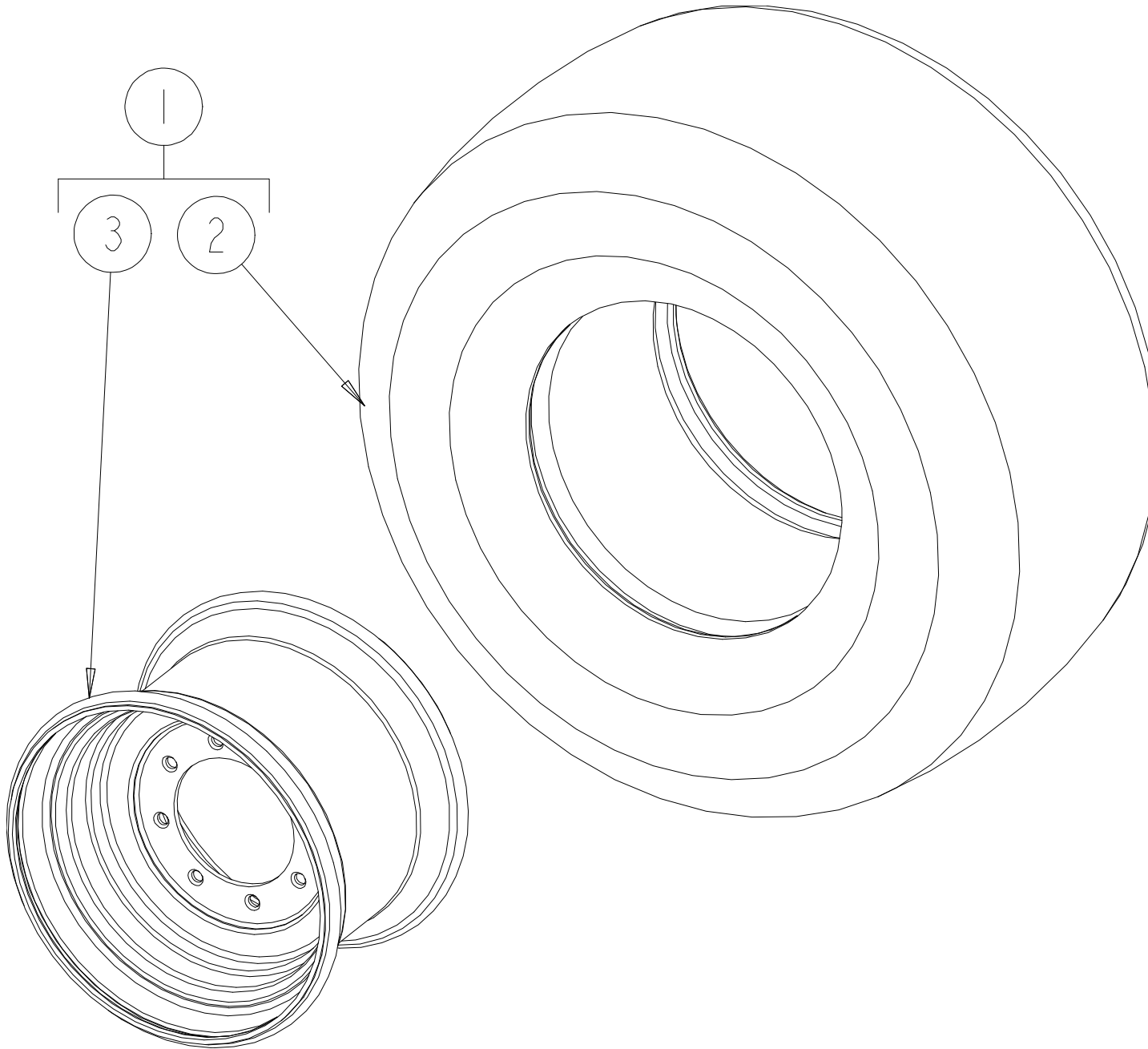
Axle Air-brake (942)



No.	Part No	Description	Qty
1	CAX00101	AXLE 80MM FUSION2 400X80 AIR BRAKE	1
<i>COMPLETE AXLE ASM INCLUDING ITEMS 2 THROUGH 34</i>			
2	CAX00048	BRAKE HUB AIR 32212 OUTER BRNG	2
<i>INCLUDES ITEMS 4, 26, 28 & 34</i>			
4	CAX00055	STUD FOR AXLE B80L030D/S	16
5	CAX00056	NUT M18X1.5X27AF AX B80L030D/S	16
6	CAX00057	WASHER 18MM AXLE B80L030D/S	16
7	CAX00059	HUB NUT (B80L030D/S) 328F014	2
8	CAX00060	BRAKE SHOE ASM 400X80 CAX00101	2
<i>INCLUDES SPRINGS (ITEMS 16)</i>			
10	CAX00098	HUB CAP FUSION 307F050	2
12	CAX00132	ADJUSTABLE BRAKE LEVER FAD 320F082	2
14	CAX00184	CAMSHAFT CAX00101 AIR BRAKE S/N 653793 ON	2
<i>USED FROM SERIAL No 653793</i>			
14	CAX00200	CAMSHAFT SHORT CAX101 AIR BRAKE UP TO S/N 653792	2
<i>USED UP TO SERIAL No 653792</i>			
15	CAX00187	O RING CAX00096/101 BRAKE 341F069	2
16	CAX00188	SPRING CAX00101 BRAKE 322F016	4
18	CAX00190	SLEEVE CAX00096/101 BRAKE 349F0341	2
19	CAX00191	SPRING CLIP CAX00096/101 BRAKE 322F046	2
20	CAX00192	CIRCLIP CAX00096/101 BRAKE 341F044	2
22	CAX00195	CIRCLIP CAX00101 BRAKE 332F009	2
23	CAX00197	WASHER 28X50X4 BRAKE CAX00101 AIR 329F012	2
24	CAX00198	NUT CROWN M27X2 BRAKE CAX00101 AIR 328F004	2
26	CBR00100	BEARING WHEEL 32215 FUSION	2
<i>PART OF WHEEL BEARING KIT CAX00121 (ITEMS 26, 28 & 34)</i>			
28	CBR00282	WHEEL BEARING 32212	2
<i>USED FROM SERIAL No 653704 (PART OF WHEEL BEARING KIT CAX00121)</i>			
28	CBR00099	BEARING WHEEL 32211 FUSION	2
<i>USED UP TO SERIAL No 653703 (PART OF WHEEL BEARING KIT CAX00121)</i>			
30	CFA00021	SPLIT PIN 4X50 Z/P	2
32	CFA00410	SPLIT PIN 6X90	2
34	CSE00014	SEAL HUB 80L030D/S FUSION BRAKE	2
<i>PART OF WHEEL BEARING KIT CAX00121 (ITEMS 26, 28 & 34)</i>			

No.	Part No	Description	Qty
-----	---------	-------------	-----

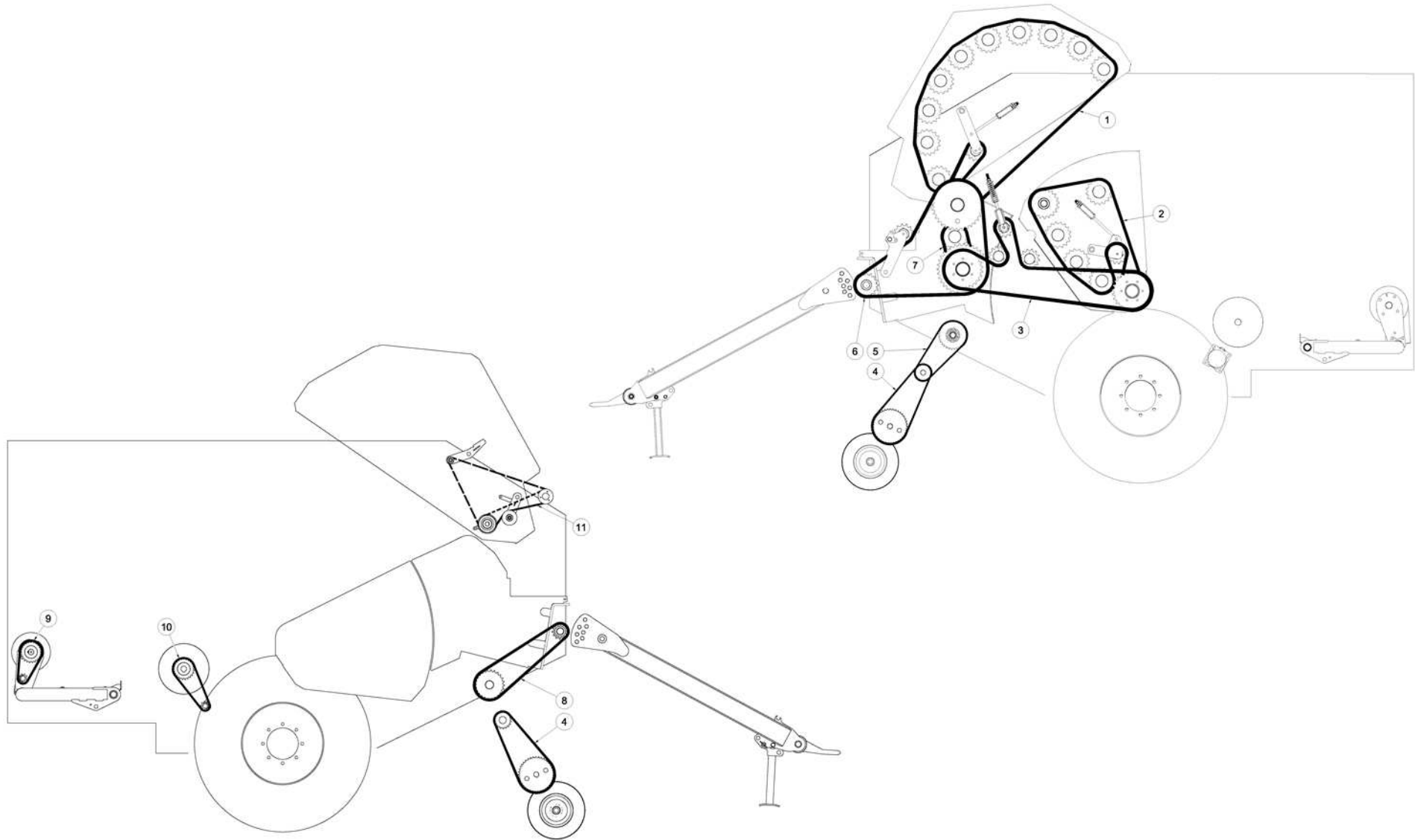
Wheels (493)



No.	Part No	Description	Qty
1	CWH00053	WHEEL ASSY 560/60R22.5 VREDESTEIN	2
2	CWH00055	TYRE 560/60R22.5 FLOTATION PRO	2
3	CWH00034	RIM 16X22.5	2
0	0	0	0
1	CWH00068	WHEEL ASSY 560/60R22.5 BKT	2
2	CWH00074	TYRE 560/60R22.5 AGRIMAX FL 630	2
3	CWH00034	RIM 16X22.5	2
0	0	0	0
1	CWH00054	WHEEL ASSY 650/50R22.5 VREDESTEIN	2
2	CWH00056	TYRE 650/50R22.5 FLOTATION PRO	2
3	CWH00057	RIM 20X22.5	2

No.	Part No	Description	Qty
-----	---------	-------------	-----

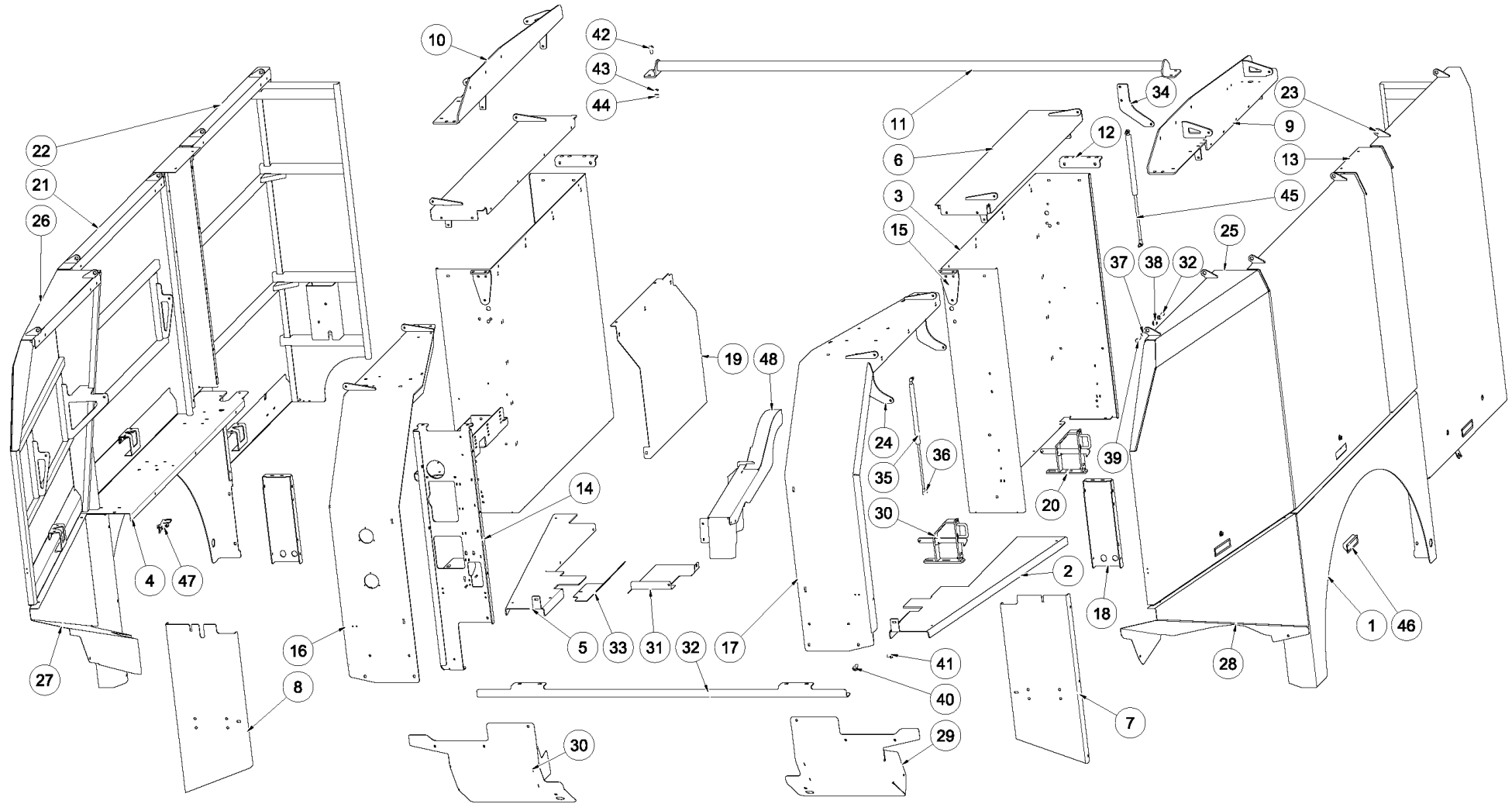
Chains & Belts (518)



No.	Part No	Description	Qty
1	CCH00036	20B 164 PITCHES + CON LINK	1
2	CCH00038	20B 105 PITCHES+CON LINK	1
3	CCH00037	20B 124 PITCHES + CON LINK	1
4	CCH02026	CHAIN ASA60H 3/4" 78 INC LINK	2
5	CCH02025	CHAIN ASA60H 3/4" 62 INC LINK	1
6	CCH00163	100HE 92 PITCHES + CON LINK	1
7	CCH00159	CHAIN 20B 32 PITCHES + CON LINK	1
<i>USED ON NRF FUSION 2 & 3 PLUS MACHINES UP TO SERIAL No 656740 & STD FUSION 2 & 3 UP TO SERIAL No 659000</i>			
7	CCH00042	CHAIN 20B 33 PITCHES+CON LINK	1
<i>USED ON NRF FUSION 3 PLUS MACHINES FROM SERIAL No 656741 & STANDARD FUSION 3 FROM SERIAL No 659001</i>			
8	CCH00161	16B2 68 PITCHES + CON LINK	1
9	CCH00043	ASA60H 36 PITCHES + CON LINK	1
10	CCH00162	ASA60H 48 PITCHES + CON LINK	1
11	CBE00164	V BELT A78	1
<i>USED ON STANDARD MACHINE ONLY</i>			
11	CBE00234	V BELT A54	1
<i>USED ON FUSION 2 & 3 PLUS NRF BARREL WRAP MACHINES ONLY</i>			

No.	Part No	Description	Qty
-----	---------	-------------	-----

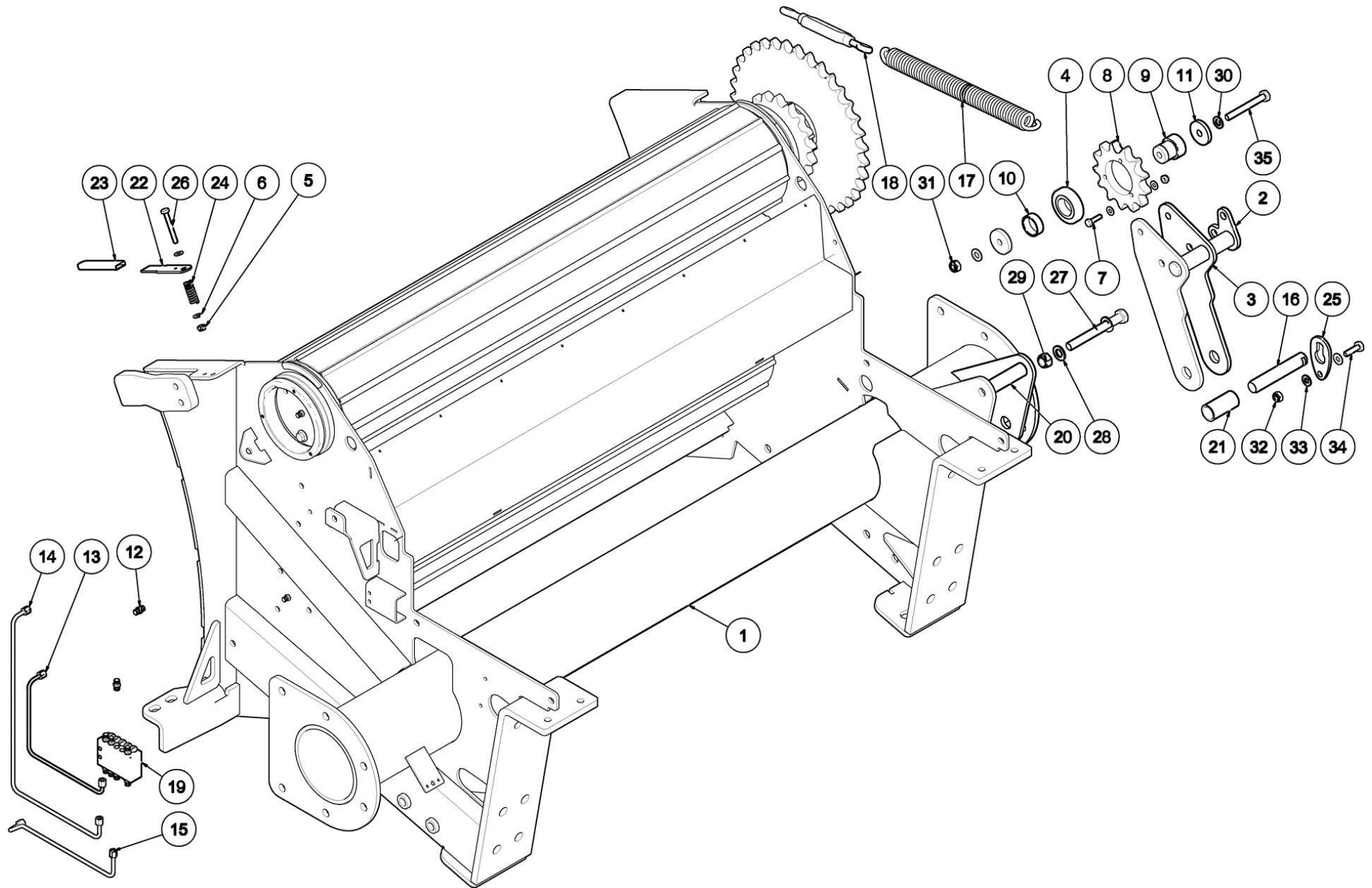
Panels (534)



No.	Part No	Description	Qty
1	CZC02284	3MM L WHEEL GUARD LEFT PART	1
2	CZD02512	4MM L CHASSIS PART FUSION	1
3	CZC03233	3MM L CHASSIS PART FUSION	2
4	CZC02285	3MM L WHEEL GUARD LEFT PART	1
5	CZD02511	4MM L CHASSIS PART FUSION	1
6	ACH00459	FILM ROLL PANEL TOP	2
7	CZC03240	3MM L GUARD PART FUSION	1
8	CZC03239	3MM L GUARD PART FUSION	1
9	ACH00879	DOOR HINGE BRACKET LEFT BACK	1
10	ACH00880	DOOR HINGE BRACKET RIGHT BACK	1
11	ACH00881	DOOR FRAME TIE BAR ASSY	1
12	CZF04419	6MM L CHASSIS PART FUSION	2
13	CZB02286	1.5MM L BALER GUARD PART	2
14	ACH00887	VALVE MOUNTING PLATE ASSY	1
15	CZF04420	6MM L CHASSIS PART FUSION	2
16	ACH00925	DOOR FRAME FRONT RIGHT	1
17	ACH00373	DOOR FRAME FRONT LEFT	1
18	CZC03249	3MM L GUARD PART FUSION	2
19	CZB00205	1.5MM L VALVE GUARD PART	1
20	ACH00411	DOOR STRIKER ASSY	4
21	CGD00041	SIDE GUARD CENTRE LEFT & RIGHT	2
22	CGD00042	SIDE GUARD RIGHT BACK	1
23	CGD00044	SIDE GUARD LEFT BACK	1
24	CZF02803	6MM L DOOR STRUT BRACKET	4
25	CGD00046	SIDE GUARD FRONT LEFT	1
26	CGD00045	SIDE GUARD FRONT RIGHT	1
27	CZB00207	1.5MM L GUARD PART FUSION 2	1
28	CZB00208	1.5MM L GUARD PART FUSION 2	1
29	CGD00099	GUARD CHAMBER DRIVE FUSION 2	1
30	CGD00098	GUARD ROTOR DRIVE FUSION 2	1
31	CGD00176	GUARD ROTOR CHAIN FUSION 2	1
32	CZC02317	3MM L HOSE TRAY FUSION 2	1
33	CZB02335	1.5MM L GUARD PART FUSION 2	1
34	CZF02824	6MM L DOOR STRUT BRACKET	1
35	CRA00171	GAS STRUT 8X18 650N	8
36	CFA00132	NUT M8 NYLOC Z/P	2
37	CFA00147	WASHER FLAT 8MM Z/P	3
38	CMH00742	BUSH 8X20X13 Z/P	1
39	CFA00055	BOLT M8X35 Z/P	1
40	CFA00429	SETSCREW M8X20 BUTTON HEAD Z/P	1
41	CFA00519	SETSCREW M8X16 FLD ZP	1
42	CFA00024	SETSCREW M10X25 Z/P	1
43	CFA00201	WASHER FLAT 10 MM Z/P	1
44	CFA00123	NUT M10 NYLOC	1
45	CRA00238	GAS STRUT 10X22 750N, REAR LEFT DOOR ONLY	2
46	CPL00058	HANDLE INSERT BALER DOOR	1
47	CFA00518	CAMLOC BALER DOOR	1
48	CGD00177	CHAIN GUARD MAIN DRIVE FUSION 2	1

No.	Part No	Description	Qty
-----	---------	-------------	-----

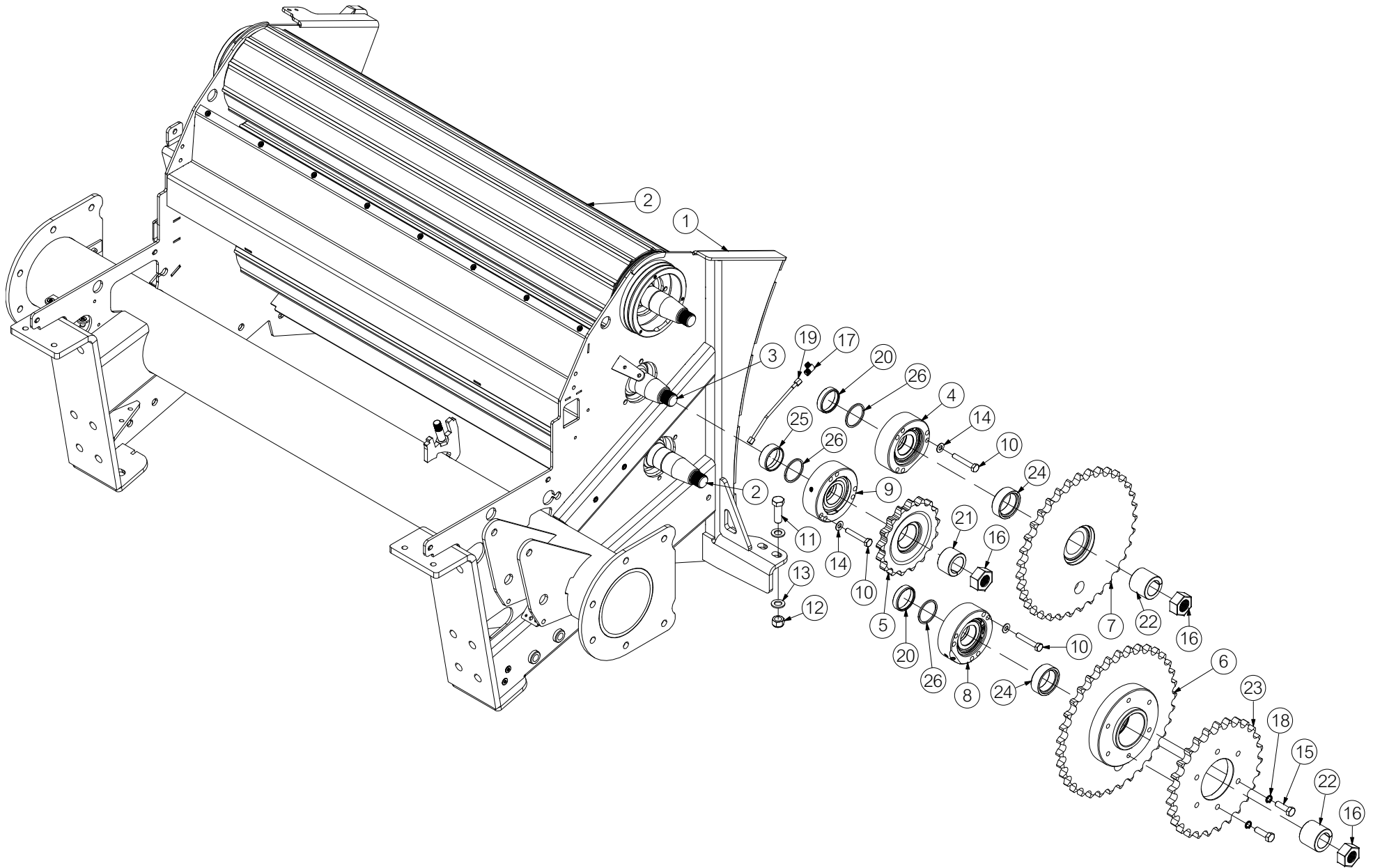
Front chamber [Idle side] (506)



No.	Part No	Description	Qty
1	ACH00889	FRONT CHAMBER SECTION WELD <i>USED ON STANDARD FUSION 2 & 3 MACHINES ONLY UP TO SERIAL No 659000</i>	1
1	ACH01197	FRONT CHAMBER FUSION PLUS NRF <i>USED ON NRF FUSION 2 & 3 PLUS MACHINES ONLY - UP TO SERIAL NO. 656740</i>	1
1	ACH01332	FRONT CHAMBER FUSION PLUS NRF <i>USED ON NRF FUSION 3 PLUS MACHINES FROM SERIAL No 656741 & STANDARD FUSION 3 FROM SERIAL No 659001</i>	1
2	ACH00955	CHAIN TENSIONER COMP ASSY	1
3	ACH00954	CHAIN TENSIONER WELD ASSY	1
4	CBR00062	BEARING RADIAL 6207LLU (SKF) <i>UP TO SERIAL NO. 654732</i>	1
4	CBR00294	BEARING RADIAL 6307 2RS <i>FROM SERIAL NO. 654733</i>	1
5	CFA00132	NUT M8 NYLOC Z/P	3
6	CFA00147	WASHER FLAT 8MM Z/P	6
7	CFA00316	BOLT M8X30 <i>UP TO SERIAL NO. 654454</i>	3
8	ACH00580	KIT 13T SPROCKET TENSIONER 6207 BEARING <i>UP TO SERIAL NO. 654732</i>	1
8	CMH01252	SPROCKET 1 1/4" 13 TOOTH <i>FROM SERIAL NO. 654733 (6307 BEARING)</i>	1
8a	CFA00882	CIRCLIP 80MM INTERNAL <i>FROM SERIAL NO. 654733 (6307 BEARING)</i>	1
9	CMH00467	BUSH 45X12.5X52 STEPPED 35	1
10	CXT00185	TUBE 42.4X3X15	1
11	CZG02236	8MM L SPACER PART	2
12	CFA00549	GREASE FITTING 6MM X 1/8"	11
13	CHY02499	GREASE PIPE 1 BOTTOM SECTION D.S <i>MIDDLE ROLLER - USED ON STANDARD FUSION 2 & 3 MACHINES ONLY UP TO SERIAL No 659000</i>	1
13	CHY02632	GREASE PIPE 2 BOTTOM SECTION D.S <i>MIDDLE ROLLER - USED ON NRF FUSION 2 & 3 PLUS MACHINES ONLY - UP TO SERIAL NO. 656740</i>	1
13	CHY02916	GREASE PIPE 2 BOTTOM SECTION D.S <i>USED ON NRF FUSION 3 PLUS MACHINES FROM SERIAL No 656741 & STANDARD FUSION 3 FROM SERIAL No 659001</i>	1
14	CHY02500	GREASE PIPE 2 BOTTOM SECTION D.S <i>TOP ROLLER - USED ON STANDARD FUSION 2 & 3 MACHINES ONLY UP TO SERIAL No 659000</i>	1
14	CHY02631	GREASE PIPE 3 BOTTOM SECTION D.S <i>TOP ROLLER - USED ON NRF FUSION 2 & 3 PLUS MACHINES ONLY - UP TO SERIAL NO. 656740</i>	1
14	CHY02915	GREASE PIPE 3 BOTTOM SECTION D.S <i>USED ON NRF FUSION 3 PLUS MACHINES FROM SERIAL No 656741 & STANDARD FUSION 3 FROM SERIAL No 659001</i>	1
15	CHY02501	GREASE PIPE 3 BOTTOM SECTION D.S <i>BOTTOM ROLLER - USED ON STANDARD FUSION 2 & 3 MACHINES ONLY UP TO SERIAL No 659000</i>	1
15	CHY02633	GREASE PIPE 1 BOTTOM SECTION D.S <i>BOTTOM ROLLER - USED ON NRF FUSION 2 & 3 PLUS MACHINES ONLY - UP TO SERIAL NO. 656740</i>	1
15	CHY02917	GREASE PIPE 1 BOTTOM SECTION D.S <i>USED ON NRF FUSION 3 PLUS MACHINES FROM SERIAL No 656741 & STANDARD FUSION 3 FROM SERIAL No 659001</i>	1
16	CMH00675	PIN 25 X 140 MILLED FOR CAP Z/P	1
17	CSG00206	SPRING EXT 7X36 OD X375	1
18	CFA00774	TURNBUCKLE EYE 12MM	1
19	CVA00166	GREASE BLOCK 10 WAY	1
20	CXT00489	TUBE 26.9X102	1
21	CXT00490	TUBE 33.7X68	1
22	CZC02347	3MM L SENSOR ADJUSTER LATCH	1
23	CBE00042	RUBBER HANDLE NETTER UNIT	1

No.	Part No	Description	Qty
24	CSG00033	SPRING COM 2.5X15X9	1
25	CZF00292	6MM L CAP LONG FOR 25MM PINS	1
26	CFA00056	BOLT M8X65 ZP	1
27	CFA00085	BOLT M16X140 ZP	1
28	CFA00140	WASHER FLAT 16MM ZP	2
29	CFA00128	NUT M16 NYLOC	1
30	CFA00138	WASHER FLAT 12MM ZP	2
31	CFA00124	NUT M12 NYLOC	1
32	CFA00123	NUT M10 NYLOC	1
33	CFA00201	WASHER FLAT 10MM ZP	2
34	CFA00016	BOLT M10X35	1
35	CFA00035	BOLT M12X100 ZP	1

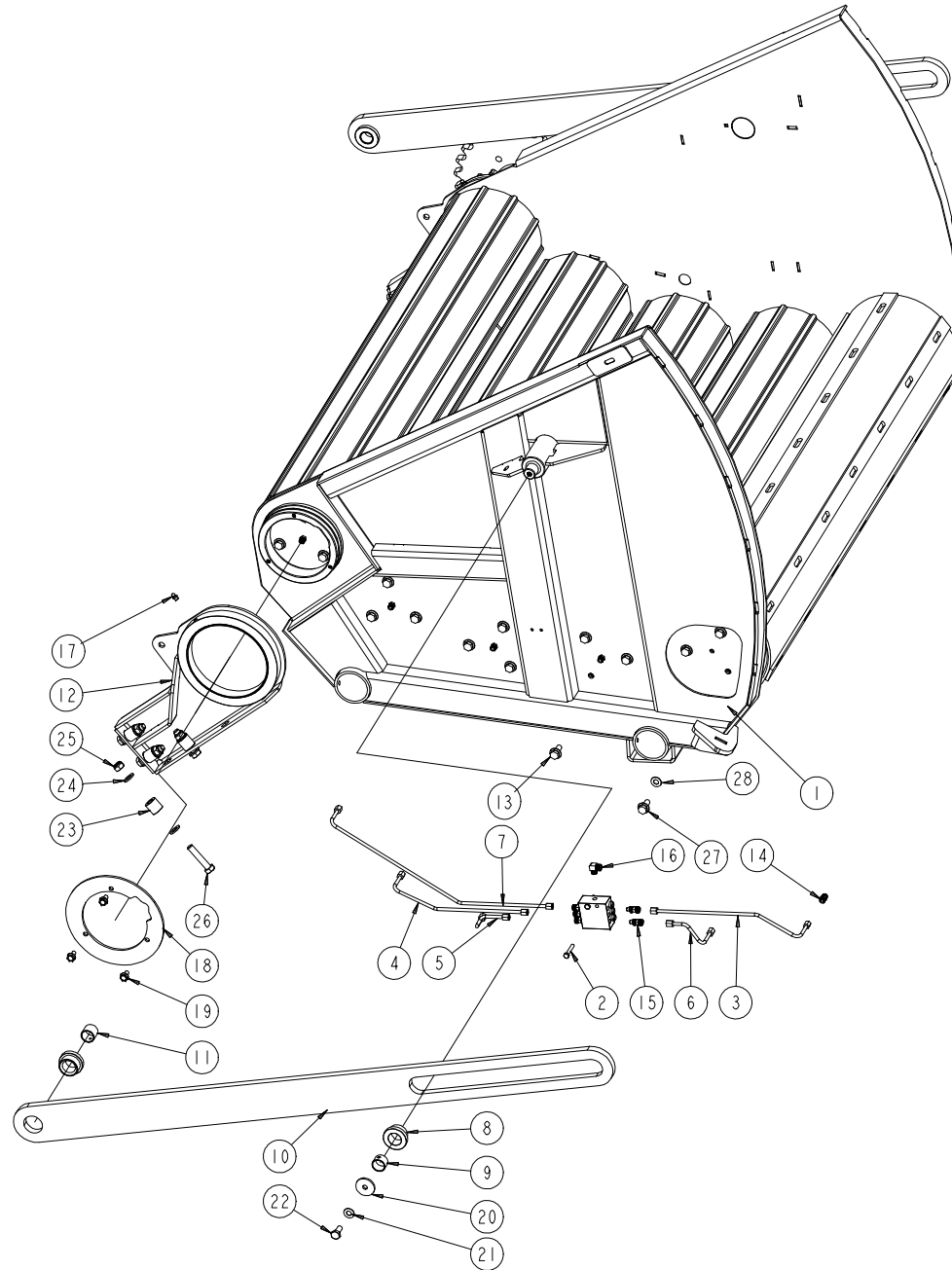
Front chamber [Drive side] (507)



No.	Part No	Description	Qty
1	ACH00889	FRONT CHAMBER SECTION WELD <i>USED ON STANDARD FUSION 2 & 3 MACHINES ONLY UP TO SERIAL No 659000</i>	1
1	ACH01197	FRONT CHAMBER FUSION PLUS NRF <i>USED ON NRF FUSION 2 & 3 PLUS MACHINES ONLY - UP TO SERIAL NO. 656740</i>	1
1	ACH01332	FRONT CHAMBER FUSION PLUS NRF <i>USED ON NRF FUSION 3 PLUS MACHINES FROM SERIAL No 656741 & STANDARD FUSION 3 FROM SERIAL No 659001</i>	1
2	ARC00028	BALER ROLLER 3 BOLT FLANGE	2
3	ARC00030	BALER ROLLER STD COMP. ASSY.	1
4	ART00051	BEARING ROLLER COMP ASSY	1
5	ART00081	1 1/4 PITCH 17 T SPROCKET ASM	1
6	ART00085	SPROCKET ASSY BOTTOM <i>INCLUDES ITEMS 15, 18 & 23</i>	1
7	ART00087	SPROCKET ASSY BOTTOM DOOR DRIVE	1
8	ART00051	BEARING ROLLER COMP ASSY	1
9	ART00293	BEARING HOUSING 76210 ASSY	1
10	CFA00028	BOLT M10X65 Z/P	9
11	CFA00116	BOLT M16X50 Z/P	4
12	CFA00128	NUT M16 NYLOC	4
13	CFA00140	WASHER FLAT 16MM Z/P	8
14	CFA00251	WASHER SKM10	9
15	CFA00065	SETSCREW M12X45 ZP <i>REPLACES CFA00324 (SETSCREW M12X40 Z/P)</i>	6
16	CFA00401	NUT M30X2 FINE THREAD	3
17	CFA00543	6MM X 1/8 90° GREASE FITTING	1
18	CFA00250	WASHER SKM12 <i>REPLACES CFA00623 (WASHER SPRING 12MM Z/P)</i>	6
19	CHY02517	GREASE PIPE FRONT SECTION D.S <i>USED ON NRF FUSION 2 & 3 PLUS MACHINES UP TO SERIAL No 656740 & STD FUSION 2 & 3 UP TO SERIAL No 659000</i>	1
19	CHY02918	GREASE PIPE FRONT DOOR D.S NRF <i>USED ON NRF FUSION 3 PLUS MACHINES FROM SERIAL No 656741 & STANDARD FUSION 3 FROM SERIAL No 659001</i>	1
20	CMH00445	BEARING ROLLER SLEEVE 50 ID	2
21	CMH00507	BUSH 39X56X33 TAPERED COLLET	1
22	CMH00508	BUSH 36X58X47 TAPERED COLLET	2
23	CMH00699	PLATEWHEEL 1 1/4 PITCH 27T	1
24	CMH00736	BUSH 50X68X25 STEPPED 58	2
25	CMH00906	BEARING ROLLER SLEEVE 50 ID	1
26	CZC03243	3MM L SPACER PART FUSION	3

No.	Part No	Description	Qty
-----	---------	-------------	-----

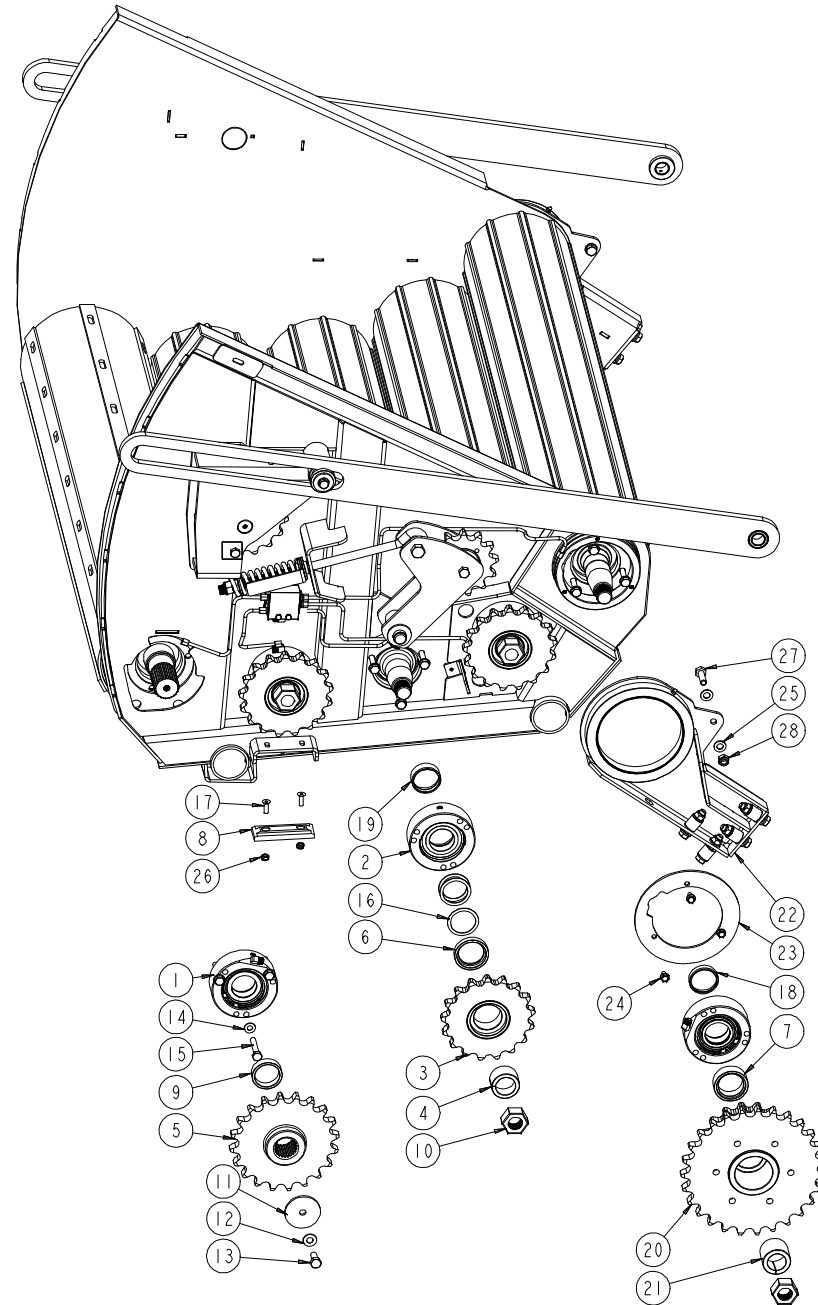
Bottom chamber door [Idle side] (503)



No.	Part No	Description	Qty
1	ACH00890	BOTTOM DOOR WELD ASM	1
<i>USED ON NRF FUSION 2 & 3 PLUS MACHINES UP TO SERIAL No 656740 & STD FUSION 2 & 3 UP TO SERIAL No 659000</i>			
1	ACH01334	BOTTOM DOOR WELD FUSION NRF	1
<i>USED ON NRF FUSION 3 PLUS MACHINES FROM SERIAL No 656741 & STANDARD FUSION 3 FROM SERIAL No 659001</i>			
2	CFA00099	SETSCREW M6X40 Z/P	4
3	CHY02175	GREASE PIPE 2 BOTTOM DOOR N.D	1
4	CHY02176	GREASE PIPE 3 BOTTOM DOOR N.D	1
5	CHY02177	GREASE PIPE 4 BOTTOM DOOR N.D	1
6	CHY02178	GREASE PIPE 5 BOTTOM DOOR N.D	1
7	CHY02174	GREASE PIPE 1 BOTTOM DOOR N.D	1
8	CMH00989	BUSH 25X50X25	4
9	CBR00040	BEARING GLACIER PM 25 X 20	2
10	CZJ02123	15MM L LINK ARM PART UP TO SERIAL NO 653028	2
10	CZJ02134_1	15MM L LINK ARM PART SERIAL NO 653029 TO 653102	2
10	CZJ02134_2	15MM L LINK ARM PART FROM SERIAL NO 653103	2
11	CBR00039	BEARING GLACIER PM 2525 DX	2
12	ACH00662	BALER DOOR HINGE BOTTOM RIGHT	1
13	CFA00520	SETSCREW M10X25 FLD ZP	12
14	CFA00549	GREASE FITTING 6MM X 1/8" M/M	5
15	CFA00648	GREASE FITTING TO BLOCK 1/8"	10
16	CFA00543	6MM X 1/8" 90° GREASE FITTING	7
17	CFA00118	GREASE NIPPLE M8X1.25 STRAIGHT	1
18	CZE00131	5MM L BALER DOOR HINGE PART	2
19	CFA00766	SETSCREW M8X20 FLANGED DIN6921 Z/P	6
<i>REPLACES CFA00519 (M8X16)</i>			
20	CZD00118	4MM L CUT & TIE SPACER	2
21	CFA00251	WASHER SKM10	2
22	CFA00024	SETSCREW M10X25 Z/P	2
23	CMH00745	C025.4X6.35X0025	8
24	CFA00138	WASHER FLAT 12MM Z/P	16
25	CFA00417	NUT M12X1.5 NYLOC FINE THREAD	8
26	CFA00586	BOLT M12X60X10.9 FINDTHREAD ZP	8
27	CFA00797	SETSCREW M10X25X10.9 ZP	3
28	CFA00798	WASHER M10 NORDLOCK	3

No.	Part No	Description	Qty
-----	---------	-------------	-----

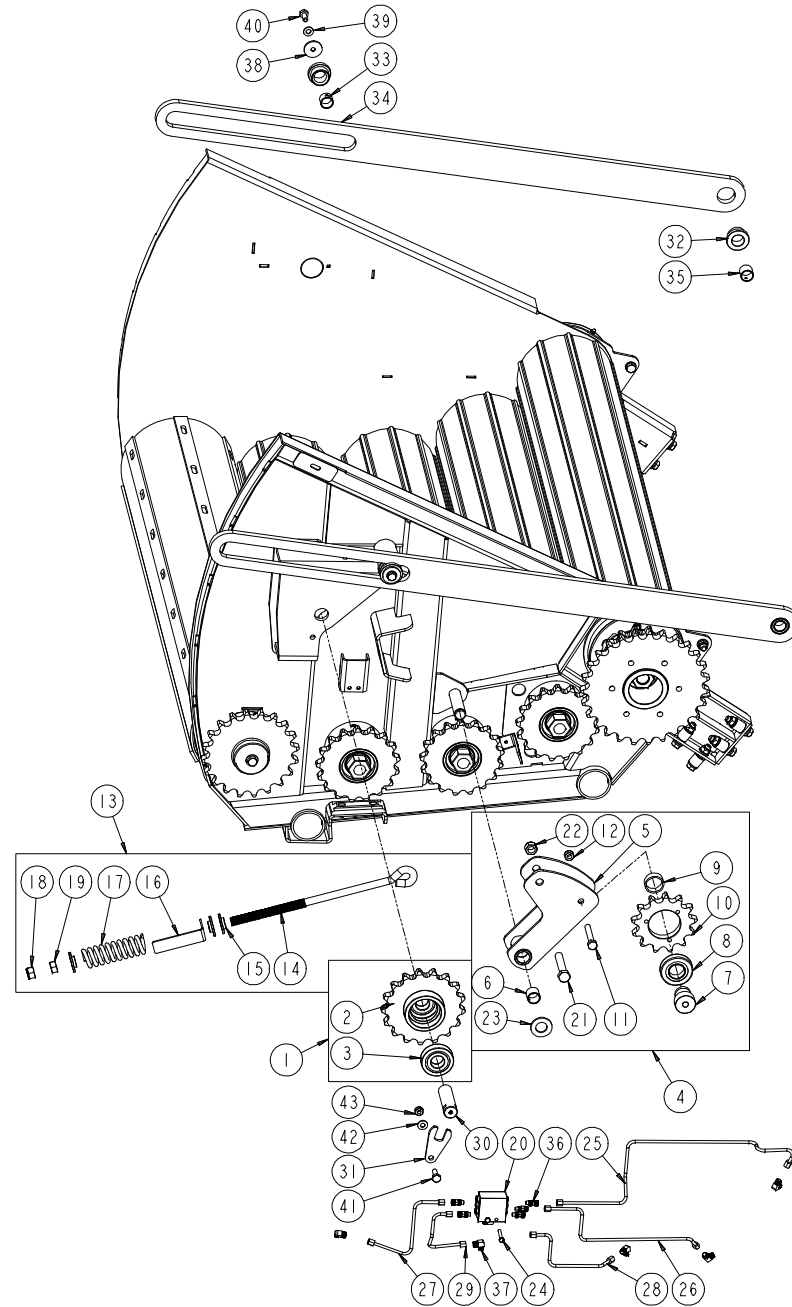
Bottom chamber door [Drive side] 1 (504)



No.	Part No	Description	Qty
1	ART00051	BEARING ROLLER COMP ASSY	2
2	ART00293	BEARING HOUSING 76210 ASSY	3
3	ART00081	1 1/4" PITCH 17 T SPROCKET ASY	3
4	CMH00507	BUSH 39X56X33 TAPER	3
5	CMH00708	SPROCKET 1 1/4" PITCH 20T	1
<i>UP TO SERIAL NO. 654555</i>			
5	CMH01324	SPROCKET 1 1/4" PITCH 20T	1
<i>FROM SERIAL NO. 654556</i>			
6	CMH00510	BUSH 50X68X12.5 STEP	3
7	CMH00736	BUSH 50X68X25 STEPPED 58	1
8	ALA00311	WEAR STRIP ASSY CHAMBER DOOR	1
<i>INCLUDES M8 NUTS (REPLACES CMH00769)</i>			
9	CMH00812	BUSH 50X60X17	1
10	CFA00401	NUT M30X2 FINE THREAD	4
11	CZE00115	BALE SPLITTER WASHER	1
12	CFA00250	WASHER SKM12	1
13	CFA00032	SETSCREW M12X30 Z/P	1
14	CFA00251	WASHER SKM10	15
15	CFA00028	BOLT M10X65 Z/P	15
16	CFA00048	SHIM 50X62X1.0	12
17	CFA00909	BOLT M8X25 SOC CAP Z/P	2
<i>REPLACES CFA00582</i>			
18	CMH00445	BEARING ROLLER SLEEVE 50 ID	1
19	CMH00906	BEARING ROLLER SLEEVE 50 ID	3
20	ART00310	DUPLEX SPROCKET COMP ASSY	1
21	CMH00508	BUSH 36X58X47 TAPER	1
22	ACH00366	BALER DOOR HINGE BOTTOM LEFT	1
23	CZE00131	5MM L BALER DOOR HINGE PART	2
24	CFA00766	SETSCREW M8X20 FLANGED DIN6921 Z/P	6
<i>REPLACES CFA00519 (M8X16)</i>			
25	CFA00138	WASHER FLAT 12MM Z/P	20
26	CFA00132	NUT M8 NYLOC	2
27	CFA00297	BOLT M12X40 Z/P	2
28	CFA00124	NUT M12 NYLOC	2

No.	Part No	Description	Qty
-----	---------	-------------	-----

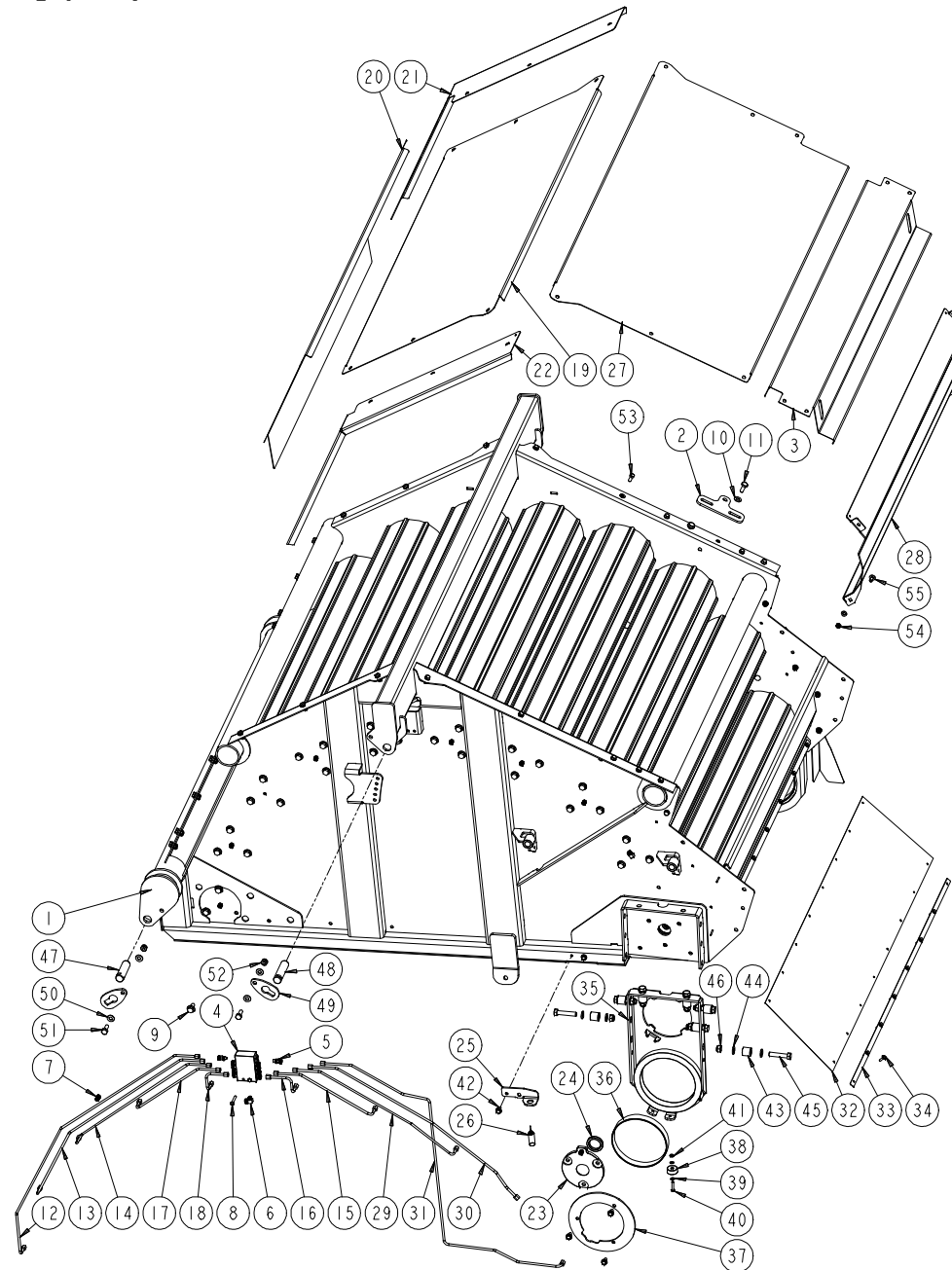
Bottom chamber door [Drive side] 2 (505)



No.	Part No	Description	Qty
1	ART00084	BALER IDLER SPROCKET COMP ASSY	1
2	ART00083	BALER IDLER SPROCKET WELD ASSY	1
3	CBR00052	BEARING 6306	2
4	ACH00360	BOTTOM DOOR CHAIN TENSION ASSY	1
5	ACH00233	BOTTOM DOOR CHAIN TENSIONER ASSY	1
6	CBR00039	BEARING GLACIER PM 2525 DX	2
7	CMH00467	BUSH 45X12.5X52 STEPPED 35	1
8	CBR00062	BEARING RADIAL 6207LLU (SKF)	1
<i>UP TO SERIAL NO. 654732</i>			
8	CBR00294	BEARING RADIAL 6307 2RS	1
<i>FROM SERIAL NO. 654733</i>			
9	CXT00185	TUBE 42.4X3X15	1
10	ACH00580	KIT SPROCKET 1 1/4" 13 TOOTH 6207 BEARING	1
<i>UP TO SERIAL NO. 654732</i>			
10	CMH01252	SPROCKET 1 1/4" 13 TOOTH	1
<i>FROM SERIAL NO. 654733 (6307 BEARING)</i>			
10a	CFA00882	CIRCLIP 80MM INTERNAL	1
<i>FROM SERIAL NO. 654733 (6307 BEARING)</i>			
11	CFA00330	BOLT M12X80 Z/P	1
12	CFA00124	NUT M12 NYLOC	1
13	ACH00437	FRONT CHAIN ADJ.COMP	1
14	CFA00672	EYE BOLT 16MM SPRING TENSIONER	1
15	CMH00464	BUSH 45X17X10 STEPPED 25	3
16	CZC02057	3MM L CHAIN TENSIONE	1
17	CSG00025	SPRING COMPX8.5X44.8	1
18	CFA00128	NUT M16 NYLOC	1
19	CFA00127	NUT M16	1
20	CVA00169	GREASE BLOCK 6 WAY	2
21	CFA00063	BOLT M16X90 Z/P	1
22	CFA00128	NUT M16 NYLOC	1
23	CFA00135	WASHER FLAT 1" Z/P	1
24	CFA00099	SETSCREW M6X40 Z/P	4
25	CHY02169	GREASE PIPE 1 BOTTOM DOOR D.S	1
26	CHY02170	GREASE PIPE 2 BOTTOM DOOR D.S	1
27	CHY02171	GREASE PIPE 3 BOTTOM DOOR D.S	1
28	CHY02172	GREASE PIPE 4 BOTTOM DOOR D.S	1
29	CHY02173	GREASE PIPE 5 BOTTOM DOOR D.S	1
30	CMH01123	PIM 30X100 MILLED FOR CAP	1
31	CZF04850	6MM L PIN RETAINER CLIP	1
32	CMH00989	BUSH 25X50X25	4
33	CBR00040	BEARING GLACIER PM 25 X 20	2
34	CZJ02123	15MM L LINK ARM PART UP TO SERIAL NO.653028	2
<i>(STRAIGHT ARM) UP TO SERIAL NO 653028</i>			
34	CZJ02134.1	15MM L LINK ARM PART SERIAL NO.653029 TO 653102	2
<i>(CURVED ARM) SERIAL NO 653029 TO 653102</i>			
34	CZJ02134.2	15MM L LINK ARM PART FROM SERIAL NO.653103	2
<i>(STRAIGHT ARM) FROM SERIAL NO 653103 ON</i>			
35	CBR00039	BEARING GLACIER PM 2525 DX	2
36	CFA00648	GREASE FITTING TO BLOCK 1/8"	10
37	CFA00543	6MM X 1/8" 90° GREASE FITTING	7

No.	Part No	Description	Qty
38	CZD00118	4MM L CUT& TIE SPACER	2
39	CFA00251	WASHER SKM10	2
40	CFA00024	SETSCREW M10X25 Z/P	2
41	CFA00230	SETSCREW M10X30 Z/P	1
42	CFA00201	WASHER FLAT 10 MM Z/P	1
43	CFA00123	NUT M10 NYLOC	1

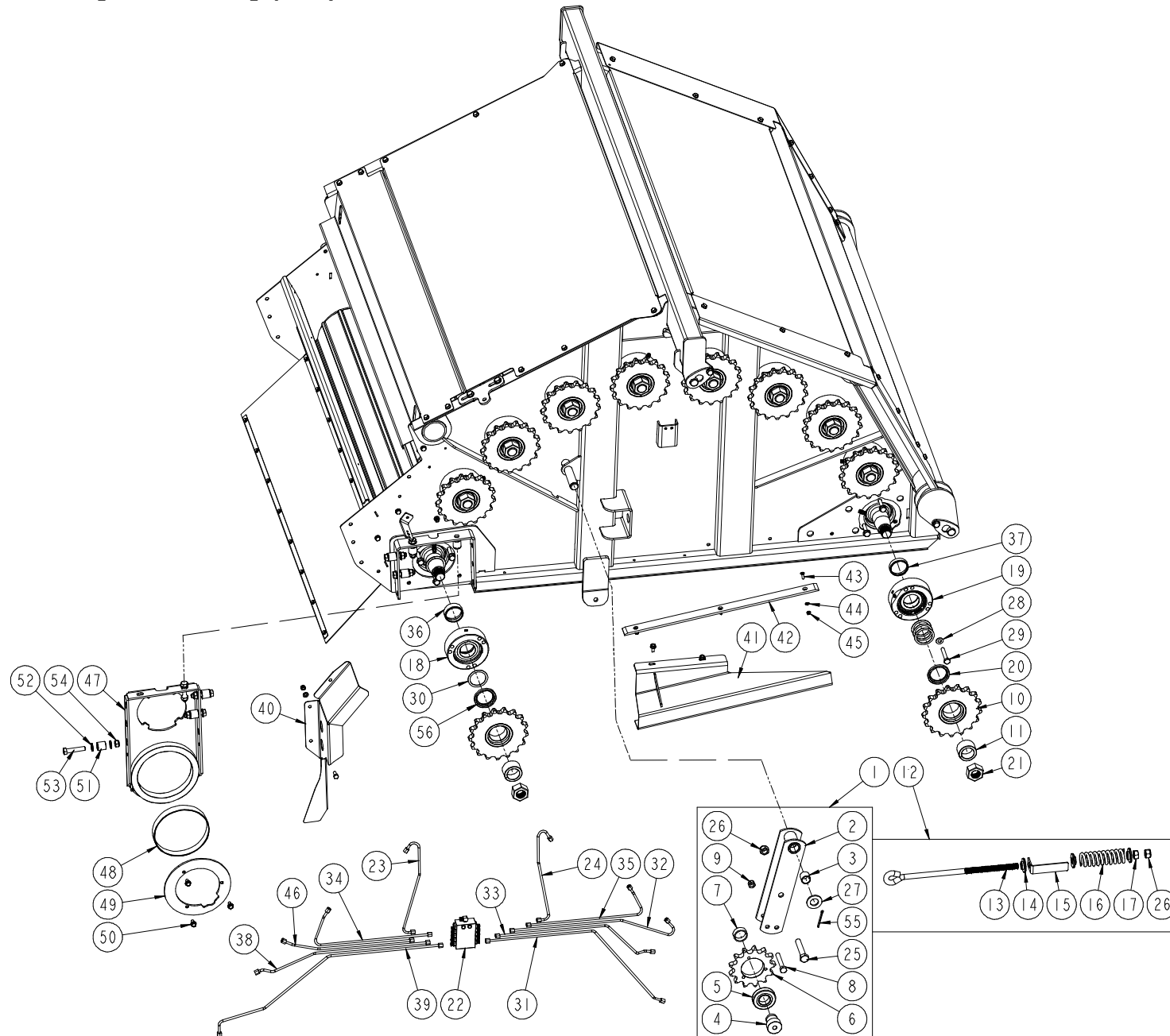
Top chamber door [Idle side] (508)



No.	Part No	Description	Qty
1	ACH00973	TOP DOOR WELD ASSY FUSION II	1
2	CZF02654	6MM L SPRING ADJUSTER PART	1
3	CZB02159	1.5MM L NET GUARD PART	1
4	CVA00166	GREASE BLOCK 10 WAY	2
5	CFA00648	GREASE FITTING TO BLOCK 1/8"	20
6	CFA00543	6MM X 1/8" 90° GREASE FITTING	3
7	CFA00549	GREASE FITTING 6MM X 1/8" M/M	19
8	CFA00099	SETSCREW M6X40 Z/P	4
9	CFA00520	SETSCREW M10X25 FLD ZP	27
10	CFA00201	WASHER FLAT 10 MM Z/P	4
11	CFA00024	SETSCREW M10X25 Z/P	2
12	CHY02161	GREASE PIPE 2 TOP DOOR N.D	1
13	CHY02162	GREASE PIPE 3 TOP DOOR N.D	1
14	CHY02163	GREASE PIPE 4 TOP DOOR N.D	1
15	CHY02165	GREASE PIPE 6 TOP DOOR N.D	1
16	CHY02168	GREASE PIPE 9 TOP DOOR N.D	1
17	CHY02166	GREASE PIPE 7 TOP DOOR N.D	1
18	CHY02167	GREASE PIPE 8 TOP DOOR N.D	1
19	CZB00137	TOP DOOR PANEL FUSION MKII	1
<i>UP TO SERIAL NO 654885</i>			
19	CZB00245	TOP DOOR PANEL FUSION	1
<i>FROM SERIAL NO 654886</i>			
20	CZB00138	TOP DOOR PANEL FUSION MKII	1
<i>UP TO SERIAL NO 654885</i>			
20	CZB00244	TOP DOOR PANEL FUSION	1
<i>FROM SERIAL NO 654886</i>			
21	CZB02282	1.5MM GUARD PART FUSION MKII	1
<i>UP TO SERIAL NO 654885</i>			
22	CZB02283	1.5MM GUARD PART FUSION MKII	1
<i>UP TO SERIAL NO 654885</i>			
23	ARC00150	SEAL PLATE ASSY NET CLUTCH	1
24	CSE00098	SEAL RADIAL SHAFT SEAL 35 X 50 X	81
25	CZD02505	4MM L SENSOR BRACKET FUSION	1
26	CEL00616	SENSOR ASSY PROXIMITY 18MM NPN	1
27	CZB00209	TOP DOOR PANEL FUSION MKII	1
28	ARC00165	ROLLER GUARD TOP DOOR FUSION II	1
29	CHY02494	GREASE PIPE 6 TOP DOOR N.D	1
30	CHY02495	GREASE PIPE 4 TOP DOOR N.D	1
31	CHY02496	GREASE PIPE 2 TOP DOOR N.D	1
32	CBE00031	CANVAS 1260X300 NET BOX COVER	1
33	CZB02179	1.5 MM L CURTAIN RETAINER STRIP	2
34	CFA00619	TEK SCREW M6 GALV. DIPPED	16
35	ACH00906	HINGE ASSY FUSION DOOR	1
36	CBR00051	BEARING GLACIER PM 170 X 25	1
37	CZE00131	5MM L BALER DOOR HINGE PART	2
38	CEL00017	MAGNET BLUE WHEEL	1
39	CFA00144	WASHER FLAT 6MM Z/P	2
40	CFA00190	SETSCREW M6X30 STAINLESS STEEL	1
41	CFA00131	NUT M6 NYLOC	1
42	CFA00766	SETSCREW M8X20 FLANGED DIN6921 Z/P	8

No.	Part No	Description	Qty
<i>REPLACES CFA00519 (M8X16)</i>			
43	CMH00745	C025.4X6.35X0025	14
44	CFA00138	WASHER FLAT 12MM Z/P	28
45	CFA00586	BOLT M12X60X10.9 FINDTHREAD ZP	14
46	CFA00417	NUT M12X1.5 NYLOC FINE THREAD	14
47	CMH00421	PIN 25 X 90 MILLED FOR CAP	2
48	CMH00422	PIN 25 X 100 MILLED FOR CAP Z/P	2
49	CZF00292	6MM L CAP LONG FOR 25MM PINS	4
50	CFA00201	WASHER FLAT 10 MM Z/P	8
51	CFA00230	SETSCREW M10X30 Z/P	4
52	CFA00123	NUT M10 NYLOC	4
53	CFA00052	SETSCREW M8X20 Z/P	29
54	CFA00132	NUT M8 NYLOC Z/P	29
55	CFA00506	SETSCREW M8X20 CUPHEAD SQ ZP	2

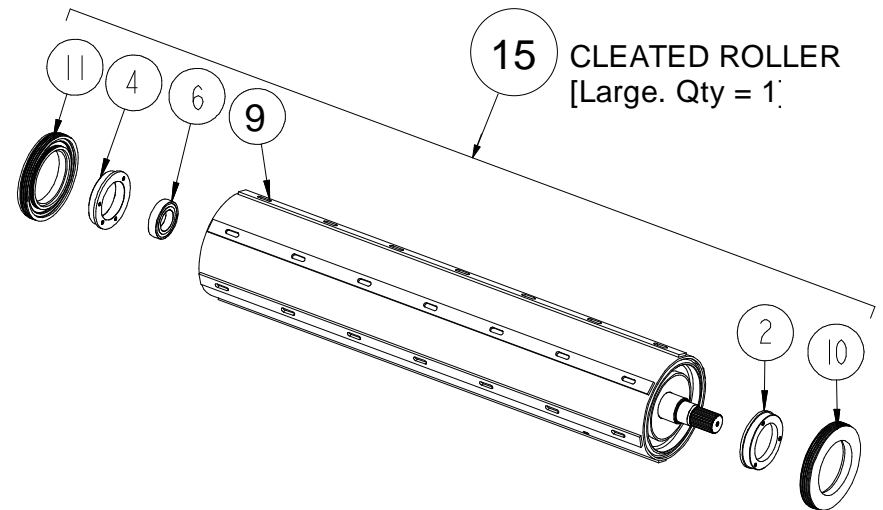
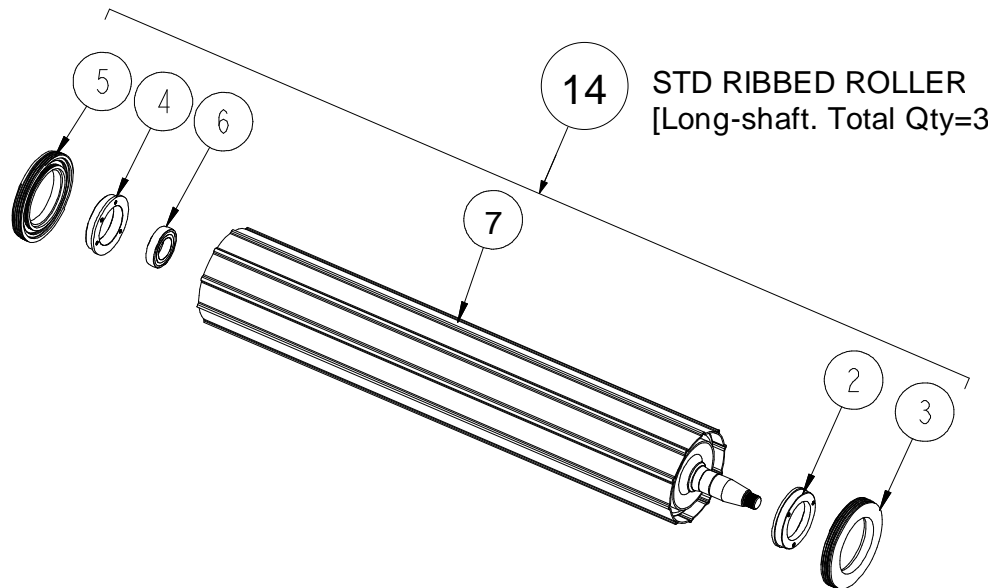
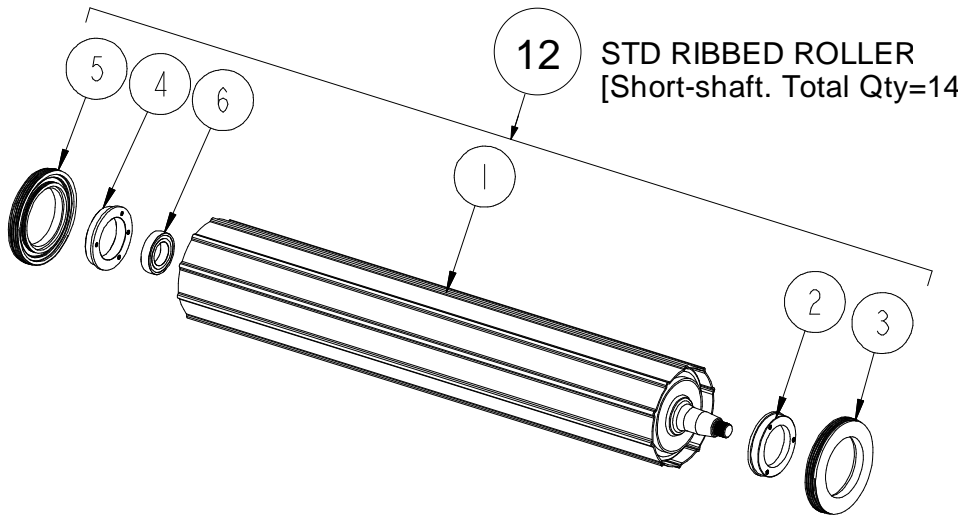
Top chamber door [Drive side] (509)



No.	Part No	Description	Qty
1	ACH00359	DOOR CHAIN TENSION COMP ASSY	1
2	ACH00188	DOOR CHAIN TENSION WELD ASSY	1
3	CBR00039	BEARING GLACIER PM 2525 DX	2
4	CMH00467	BUSH 45X12.5X52 STEPPED 35	1
5	CBR00062	BEARING RADIAL 6207LLU (SKF)	1
<i>UP TO SERIAL NO. 654732</i>			
5	CBR00294	BEARING RADIAL 6307 2RS	1
<i>FROM SERIAL NO. 654733</i>			
6	ACH00580	KIT SPROCKET 1 1/4" 13 TOOTH 6207 BEARING	1
<i>UP TO SERIAL NO. 654732</i>			
6	CMH01252	SPROCKET 1 1/4" 13 TOOTH	1
<i>FROM SERIAL NO. 654733 (6307 BEARING)</i>			
6a	CFA00882	CIRCLIP 80MM INTERNAL	1
<i>FROM SERIAL NO. 654733 (6307 BEARING)</i>			
7	CXT00185	TUBE 42.4X3X15	1
8	CFA00330	BOLT M12X80 Z/P	1
9	CFA00124	NUT M12 NYLOC	1
10	ART00081	1 1/4" PITCH 17 T SPROCKET ASY	10
11	CMH00507	BUSH 39X56X33 TAPPER	10
12	ACH00437	FRONT CHAIN ADJ COMPLETE	1
13	CFA00672	EYE BOLT 16MM SPRING TENSIONER	1
14	CMH00464	BUSH 45X17X10 STEPPED 25	3
15	CZC02057	3MM L CHAIN TENSIONER BRACKET	1
16	CSG00025	SPRING COMPX8.5X44.8	1
17	CFA00127	NUT M16	2
18	ART00293	BEARING HOUSING 76210 ASSY	9
19	ART00051	BEARING ROLLER COMP ASSY	1
20	CMH00510	BUSH 50X68X12.5 STEPPED	1
21	CFA00401	NUT M30X2 FINE THREAD	10
22	CVA00166	GREASE BLOCK 10 WAY	2
23	CHY02271	GREASE PIPE8 TOP DOOR D.S LONG	1
24	CHY02272	GREASE PIPE9 TOP DOOR D.S LONG	1
25	CFA00063	BOLT M16X90 Z/P	1
26	CFA00128	NUT M16 NYLOC	2
27	CFA00135	WASHER FLAT 1" Z/P	1
28	CFA00251	WASHER SKM10	30
29	CFA00028	BOLT M10X65 Z/P	30
30	CFA00048	SHIM 50X62X1.0	27
31	CHY02152	GREASE PIPE 2 TOP DOOR D.S	1
32	CHY02154	GREASE PIPE 4 TOP DOOR D.S	1
33	CHY02155	GREASE PIPE 5 TOP DOOR D.S	1
34	CHY02156	GREASE PIPE 6 TOP DOOR D.S	1
35	CHY02157	GREASE PIPE 7 TOP DOOR D.S	1
36	CMH00906	BEARING ROLLER SLEEVE 50 ID	9
37	CMH00445	BEARING ROLLER SLEEVE 50 ID	1
38	CHY02497	GREASE PIPE 2 TOP DOOR D.S	1
39	CHY02498	GREASE PIPE 2 TOP DOOR D.S	1
40	CZB02330	1.5MM L CHAIN GUARD PART FUS 2	1
<i>FUSION 2 ONLY</i>			
40	CZB04402	1.5MM L CHAIN GUARD TOP DOOR FUS 3	1

No.	Part No	Description	Qty
<i>FUSION 3 ONLY</i>			
41	ACH00938	CHAIN SLIDE TOP DOOR FUSION II	1
42	CMH01105	WEAR STRIP 10X35X620	1
43	CFA00587	BOLT M6X20 CSK ZP	3
44	CFA00144	WASHER FLAT 6MM Z/P	3
45	CFA00131	NUT M6 NYLOC	3
46	CHY02527	GREASE PIPE 3 TOP DOOR D.S	1
47	ACH00170	HINGE ASSY BALER DOOR	1
48	CBR00051	BEARING GLACIER PM 170 X 25	1
49	CZE00131	5MM L BALER DOOR HINGE PART	2
50	CFA00766	SETSCREW M8X20 FLANGED DIN6921 Z/P	8
<i>REPLACES CFA00519 (M8X16)</i>			
51	CMH00745	C025.4X6.35X0025	14
52	CFA00138	WASHER FLAT 12MM Z/P	28
53	CFA00586	BOLT M12X60X10.9 FINDTHREAD ZP	14
54	CFA00417	NUT M12X1.5 NYLOC FINE THREAD	14
55	CFA00013	SPLIT PIN 5X50 Z/P	1
56	CMH01117	BUSH 50X68X9.5 STEPPED 58	9

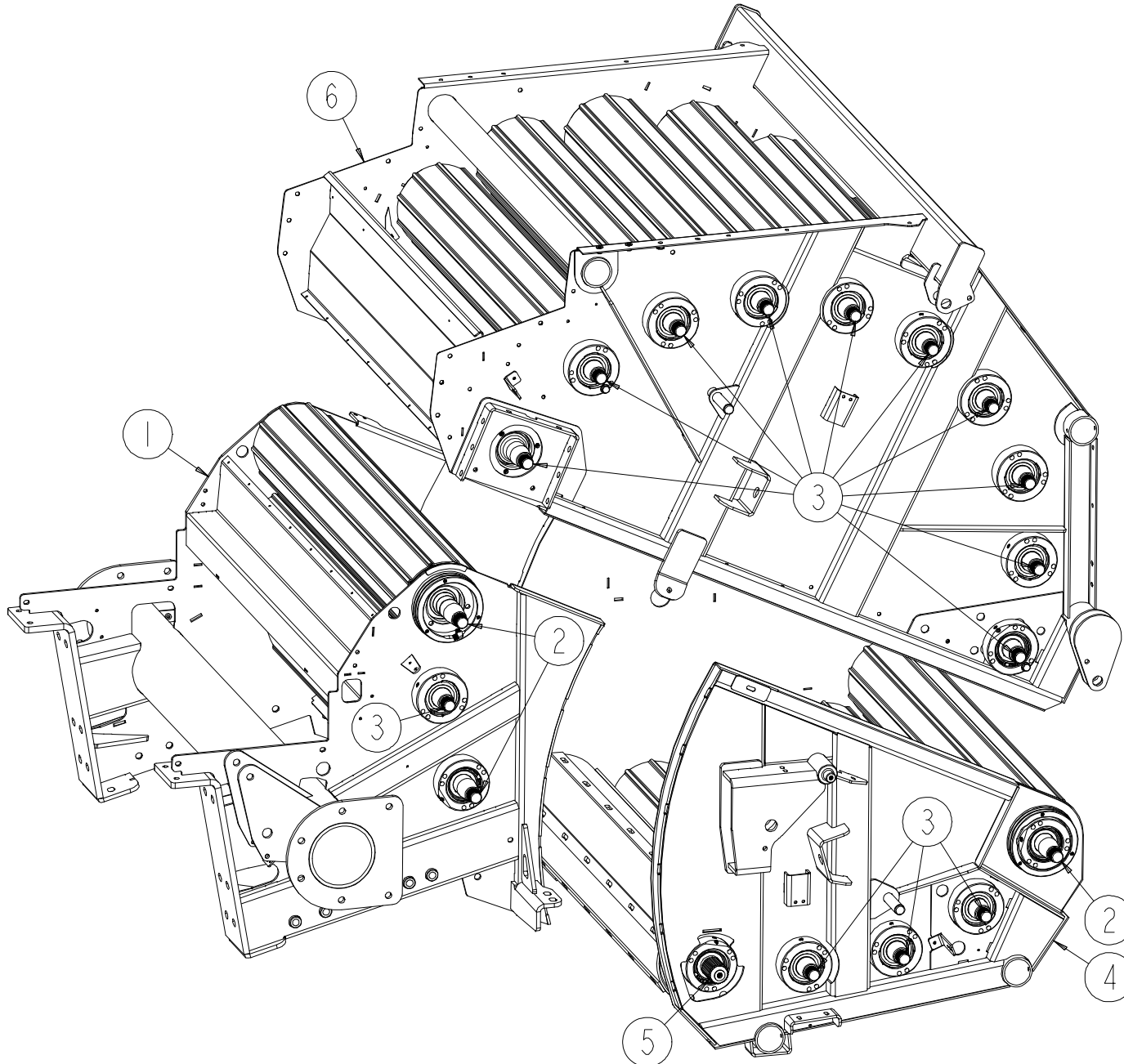
Rollers (510)



No.	Part No	Description	Qty
1	ARC00029	ROLLER STD SHAFT	1
2	CMH00696	FLANGE 90X140X25 MACHINED DS	1
3	CPL00052	NYLON SEAL ROLLER DRIVE SIDE	1
4	CMH00697	FLANGE 90X145X25 MACHINED NDS	1
5	CPL00053	NYLON SEAL ROLLER NON DRIVE	1
6	CBR00083	BEARING 1726210-2RS RADIAL	1
7	ARC00023	ROLLER LONG SHAFT	1
9	ARC00243	ROLLER CLEATED KIT ASY	1
<i>UP TO SERIAL NO. 654555 (KIT INCLUDES BOTH NYLON SEAL ROLLERS + SPROCKET)</i>			
9	ARC00183	ROLLER CLEATED	1
<i>FROM SERIAL NO. 654556</i>			
10	CPL00052	NYLON SEAL ROLLER DRIVE SIDE	1
<i>UP TO SERIAL NO. 654555</i>			
10	CPL00108	NYLON SEAL ROLLER (LARGE) DRIVE SIDE	1
<i>FROM SERIAL NO. 654556</i>			
11	CPL00053	NYLON SEAL ROLLER NON DRIVE	1
<i>UP TO SERIAL NO. 654555</i>			
11	CPL00107	NYLON SEAL ROLLER (LARGE) NON DRIVE	1
<i>FROM SERIAL NO. 654556</i>			
12	ARC00030	ROLLER STD SHAFT ASY	14
14	ARC00028	ROLLER LONG SHAFT ASY	3
15	ARC00238	ROLLER CLEATED ASY	1
<i>FROM SERIAL NO. 654556</i>			

No.	Part No	Description	Qty
-----	---------	-------------	-----

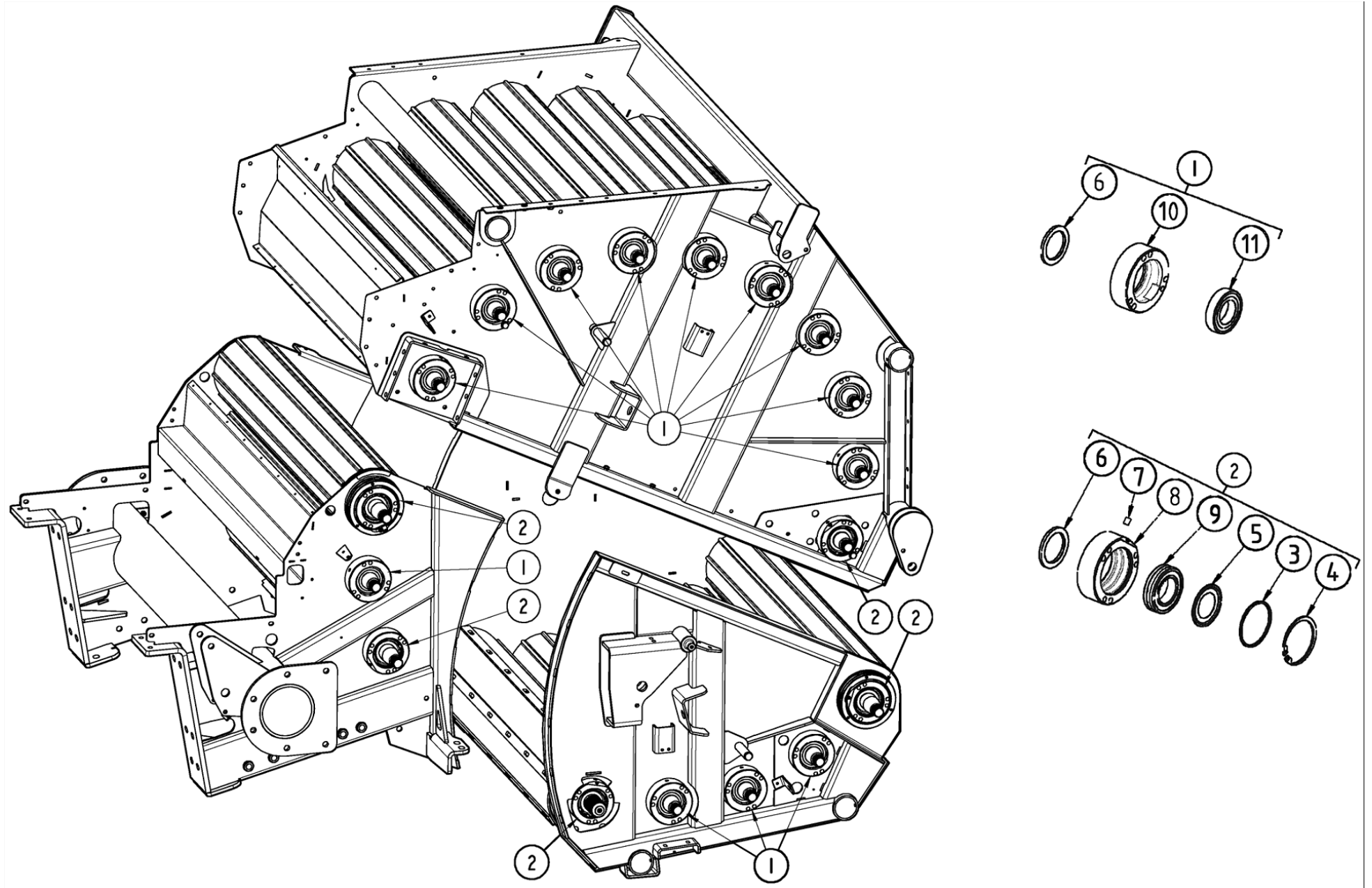
Roller locations (513)



No. Part No	Description	Qty
1 ACH00889	FRONT CHAMBER SECTION WELD <i>FRONT DOOR WELD USED ON STANDARD FUSION 2 & 3 UP TO SERIAL No 659000</i>	1
1 ACH01197	FRONT CHAMBER FUSION PLUS NRF <i>FRONT DOOR WELDMENT USED ON FUSION 2 & 3 PLUS (NRF) UP TO SERIAL No 656740</i>	1
1 ACH01332	FRONT CHAMBER FUSION PLUS NRF <i>DOOR WELDMENT USED ON FUSION 3 PLUS (NRF) FROM SERIAL No 656741 & STD FUSION 3 FROM SERIAL No 659001</i>	1
2 ARC00028	BALER ROLLER 3 BOLT FLANGE	3
3 ARC00030	BALER ROLLER STD COMP. ASSY.	14
4 ACH00890	BOTTOM DOOR WELD ASSY <i>DOOR WELD USED ON FUSION 2 & 3 PLUS (NRF) UP TO SERIAL No 656740 & STD FUSION 2 & 3 UP TO SERIAL No 659000</i>	1
4 ACH01334	BOTTOM DOOR WELD FUSION NRF <i>BOTTOM DOOR USED ON FUSION 3 PLUS (NRF) FROM SERIAL No 656741 & STD FUSION 3 FROM SERIAL No 659001</i>	1
5 ARC00034	FRONT CHAMBER ROLLER	1
6 ACH00973	TOP DOOR WELD ASSY FUSION <i>TOP DOOR WELDMENT USED ON STANDARD FUSION 2 & 3 UP TO SERIAL No 659000</i>	1
6 ACH01204	TOP DOOR WELD ASSY FUSION II <i>TOP DOOR WELDMENT USED ON FUSION 2 & 3 PLUS (NRF) UP TO SERIAL No 656740</i>	1
6 ACH01336	TOP DOOR WELD ASSY FUSION NRF <i>DOOR WELDMENT USED ON FUSION 3 PLUS (NRF) FROM SERIAL No 656741 & STD FUSION 3 FROM SERIAL No 659001</i>	1

No. Part No	Description	Qty
-------------	-------------	-----

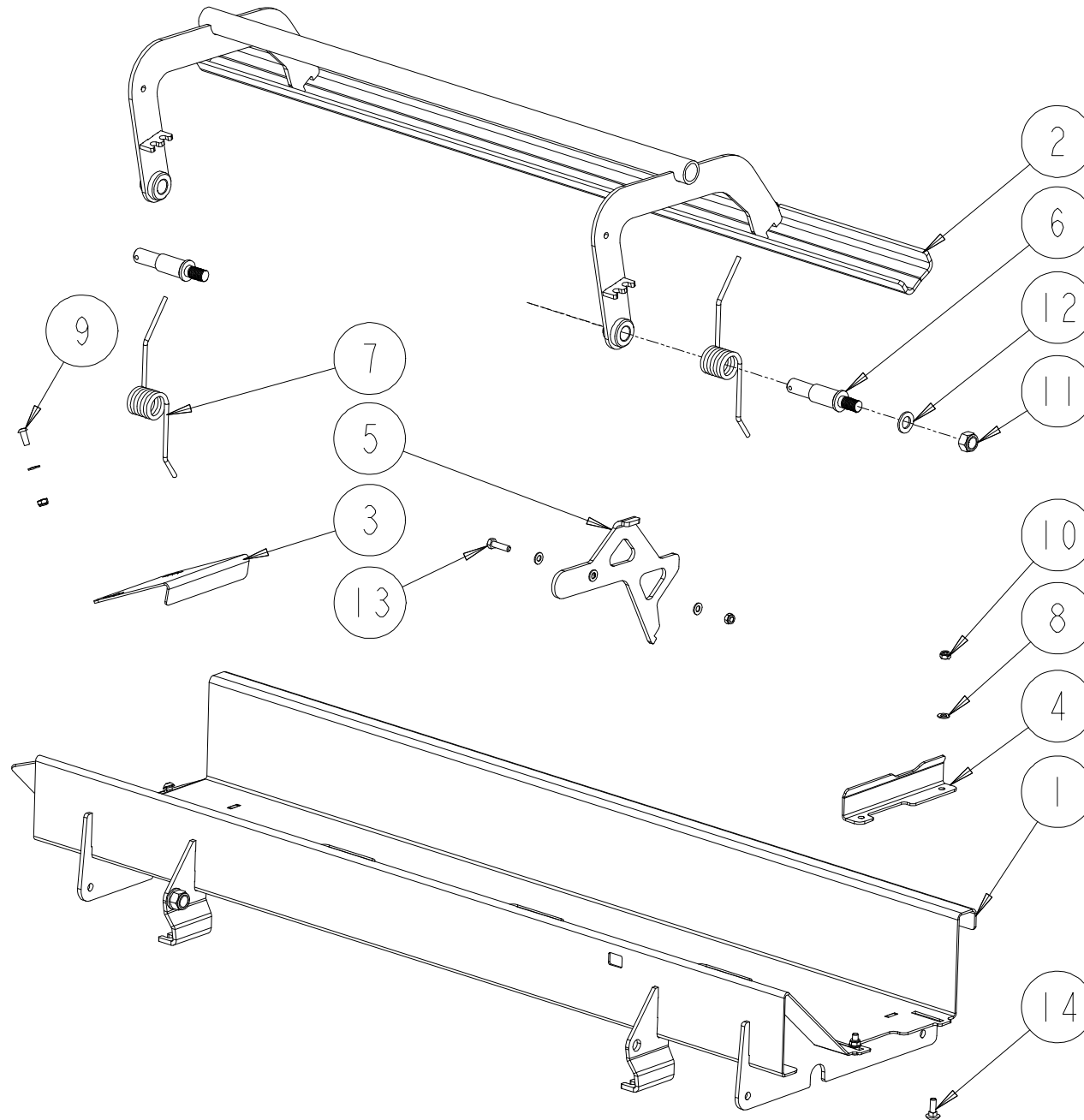
Bearings (517)



No.	Part No	Description	Qty
1	ART00293	BEARING ROLLER COMP ASSY	13
2	ART00051	BEARING ROLLER COMP ASSY	5
3	CZC02063	3MML BEARING RETAINING RING	1
4	CFA00452	CIRCLIP 95MM INTERNAL	1
5	CBR00061	NILOS-RING 6210AV	1
6	CSE00099	SEAL OIL 58X80X8	1
7	CFA00559	GRUBSCREW M10X12	1
8	CMH00511	BUSH 90X135X46 BEARING HOUSING	1
9	CBR00060	BEARING SPHERICAL SKF 2210CC	1
10	CMH00905	BUSH 90X135X46 BEARING HOUSING	1
11	CBR00083	BEARING 1726210-2RS RADIAL	1

No.	Part No	Description	Qty
-----	---------	-------------	-----

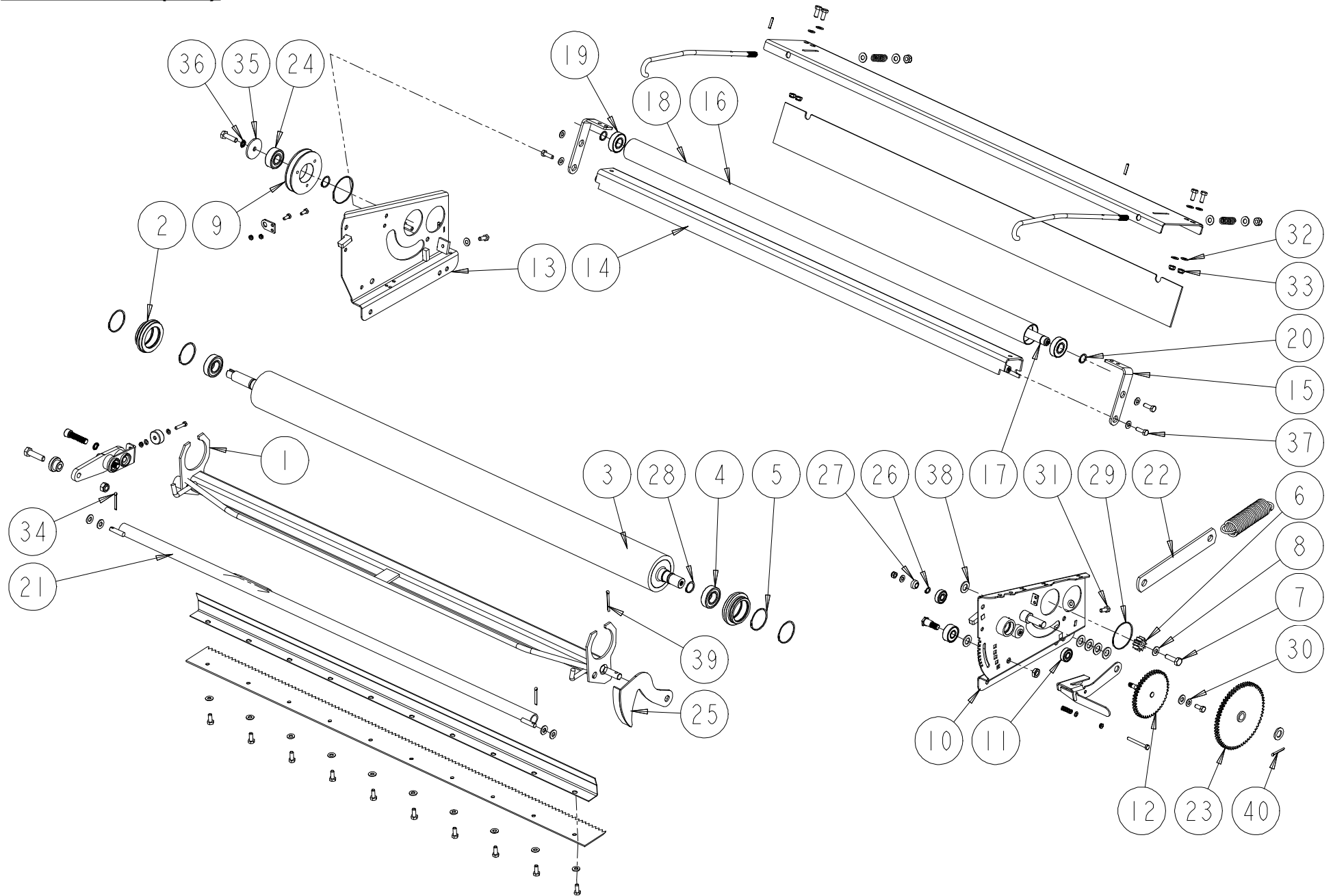
Net box (519)



No.	Part No	Description	Qty
1	ACH00912	NET BOX WELD ASSY FU	1
2	ACH01427	NET BOX BRAKE ASSY FUSION	1
	REPLACES ACH00913		
3	CZC02248	3MM L NET CARRIER PA	1
4	CZC03270	3MM L NET BOX PART	1
5	CZF04602	6MM L NET BRAKE BAR PART	1
6	CMH00418	PIN 20X30X125 STEPPED&M16THREAD	2
7	CSG00012	SPRING TOR 5.893X41X46.55X6.9	2
8	CFA00147	WASHER FLAT 8MM Z/P	9
9	CFA00429	SETSCREW M8X20 BUTTON HEAD Z/P	2
10	CFA00132	NUT M8 NYLOC Z/P	5
11	CFA00128	NUT M16 NYLOC	2
12	CFA00140	WASHER FLAT 16MM Z/P	2
13	CFA00316	BOLT M8X30 Z/P	1
14	CFA00591	BOLT M8X25 CUP SQ Z/P	2

No.	Part No	Description	Qty
-----	---------	-------------	-----

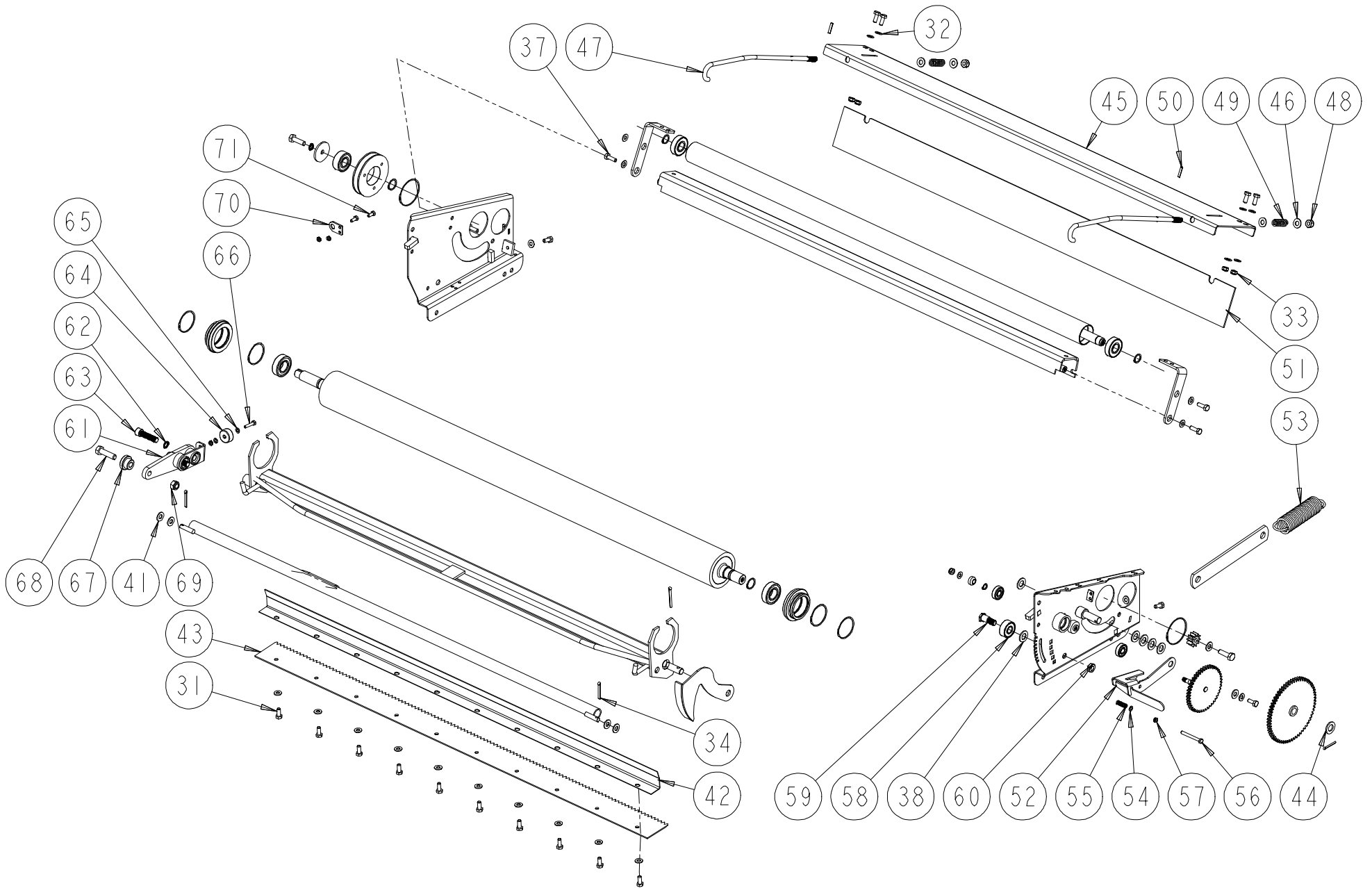
Netter unit 1 (520)



No.	Part No	Description	Qty
1	ACH00281	KNIFE HOLDER ASSY. (NET UNIT)	1
2	CMH00786	BUSH 52X80X25 STEPPED&CIRCLIP	2
<i>REPLACED BY ANT00079 (BEARING ITEM 4 INCLUDED IN MOULDED ASSEMBLY)</i>			
3	ARC00044	ROLLER NET UNIT (LARGE)	1
4	CBR00009	BEARING 6205 2RS	2
5	CFA00461	CIRCLIP 52MM INTERNAL	4
6	CMH00603	GEAR SPUR MOD 2.5 10 TOOTH	1
7	CFA00016	BOLT M10X35	2
8	CFA00251	WASHER SKM10	1
9	ANT00145	NET PULLEY WHEEL PITCH DIA 100 ASSEM	1
<i>COMPLETE WITH SPRAG BEARING ITEM 24 (REPLACES CMH00596 PULLEY ONLY)</i>			
10	ACH00278	NET UNIT (LEFT) WELD ASSY.	1
11	CBR00067	BEARING 6201	2
12	ACH00279	PLATEWHEEL ASSY. NET UNIT	1
13	ACH00277	NET UNIT (RIGHT) WELD ASSY.	1
14	ACH00282	SMALL NET ROLLER GUARD	1
15	CZE00136	5MM L NET UNIT BRACKET	2
16	MOD00013	KIT STEEL NETTER ROLLER MOD	1
<i>REPLACEMENT KIT FOR MACHINES UP TO SERIAL NO 654285 FUSION 2 (INCLUDES ITEMS 15 THROUGH 20)</i>			
16	ARC00205	ROLLER STEEL NET UNIT BACK	1
<i>USED ON MACHINES FROM SERIAL NO 654286 ONWARDS FUSION 2 & FUSION 3</i>			
17	CMH01253	SHAFT STUB FOR ARC00205	2
18	CMH01251	ROLLER NET UNIT 70X61X1260	1
18a	CFA00002	CIRCLIP 62MM INTERNAL	4
19	CBR00024	BEARING 6206 2RS	2
20	CFA00402	CIRCLIP 30MM EXTERNAL ZP	2
21	ACH00280	NET UNIT LOCK BAR ASSY.	1
22	CZF02655	6MM L NET UNIT LINK ARM PART	1
23	ARC00050	SPROCKET 64/12 TOOTH ASSY	1
24	CBR00084	BEARING SEALED SPRAG CLUTCH	1
25	ACH00369	NET RELEASE UNIT ASSY.	1
26	CFA00499	CIRCLIP 10MM EXTERNAL	1
27	CMH00705	BUSH 10X25X10 NYLON	1
28	CFA00001	CIRCLIP 25MM EXTERNAL Z/P	2
29	CFA00501	CIRCLIP 65MM EXTERNAL	2
30	CFA00249	WASHER SKM8	17
31	CFA00052	SETSCREW M8X20 Z/P	17
32	CFA00147	WASHER FLAT 8MM Z/P	7
33	CFA00132	NUT M8 NYLOC Z/P	5
34	CFA00475	SPLIT PIN 5X40 Z/P	2
35	CZD00121	4MM L CUT & TIE SPACER Z/P	1
36	CFA00137	WASHER SPRING 10MM H.D Z/P	1
37	CFA00102	SETSCREW M8X25 Z/P	4
38	CFA00222	WASHER FLAT 14MM Z/P	6
39	CFA00556	SPLIT PIN 6X50 Z/P	1
40	CFA00450	SPLIT PIN 4 X36 Z/P	1

No.	Part No	Description	Qty
-----	---------	-------------	-----

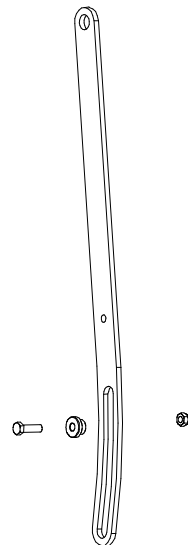
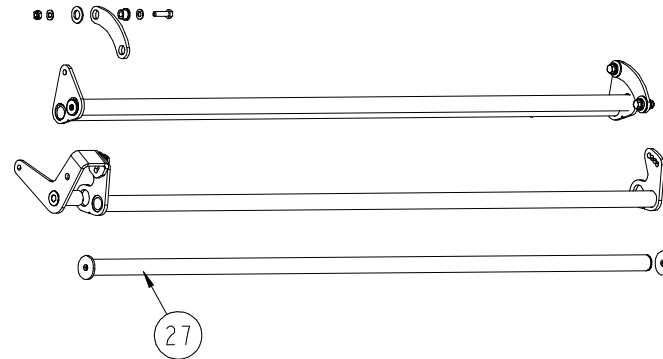
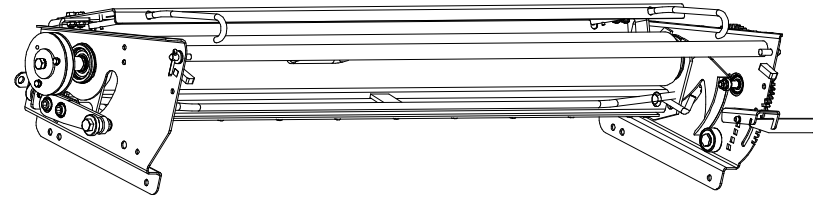
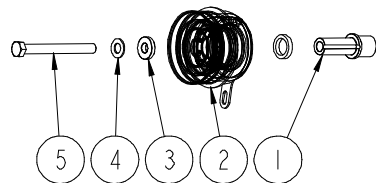
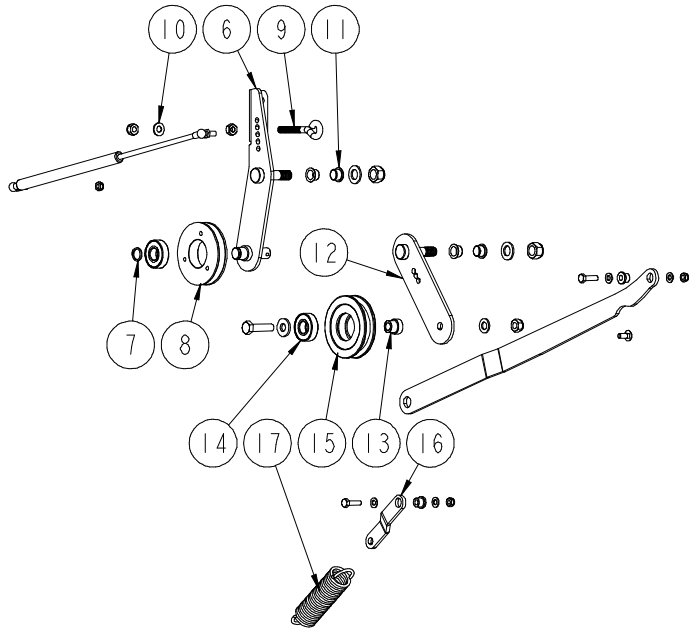
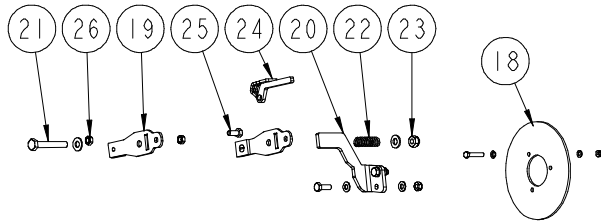
Netter unit 2 (521)



No.	Part No	Description	Qty
41	CFA00201	WASHER FLAT 10 MM Z/P	5
42	CZB02093	1.5MM L KNIFE GUARD PEICE	1
43	CKN00013	KNIFE FOR NET UNIT VERSION 2	1
44	CFA00140	WASHER FLAT 16MM Z/P	1
45	CZC02215	3MM L DIRT COVER FOR NET UNIT	1
46	CFA00201	WASHER FLAT 10 MM Z/P	4
47	CXR00117	ROD 10MM X 430 THREADED	2
48	CFA00123	NUT M10 NYLOC	2
49	CSG00033	SPRING COMP 2.5WDX15ODX9 COIL	2
50	CFA00199	ROLL PIN 5X25 Z/P	2
51	CBE00032	CANVIS 1250X100 NET ROLLER COVER	1
52	ACH00666	NETTER UNIT HANDLE ASSEMBLY	1
53	CSG00017	SPRING EXT 4.47X40.6X176X26	1
54	CFA00641	WASHER FLAT 6MM NYLON	1
55	CSG00049	SPRING COMP 1.6X11.6X30X10	1
56	CFA00054	SETSCREW M6X60 Z/P	1
57	CFA00131	NUT M6 NYLOC	4
58	CBR00081	BEARING CAM INA LR 5202 NPPU	1
59	CMH00672	BOLT SHOULDER 3/4" H	1
60	CFA00446	NUT M12 HEXAGON LOCK/HALF NUT	1
61	ACH00868	NET KNIFE RESET ARM FUSION	1
62	CFA00799	WASHER M12 NORDLOCK	2
63	CFA00557	BOLT M12X50 SOC CAP ZP	2
64	CEL00017	MAGNET BLUE WHEEL	1
65	CFA00144	WASHER FLAT 6MM Z/P	2
66	CFA00190	SETSCREW M6X30 STAINLESS STEEL	1
67	CMH00771	BUSH 12X35 STEPPED	1
68	CFA00079	BOLT M12X45	1
69	CFA00124	NUT M12 NYLOC	1
70	CZC02261	3MM L NET SENSOR BRACKET	1
71	CFA00454	SETSCREW M6 X 16 Z/P	2

No.	Part No	Description	Qty
-----	---------	-------------	-----

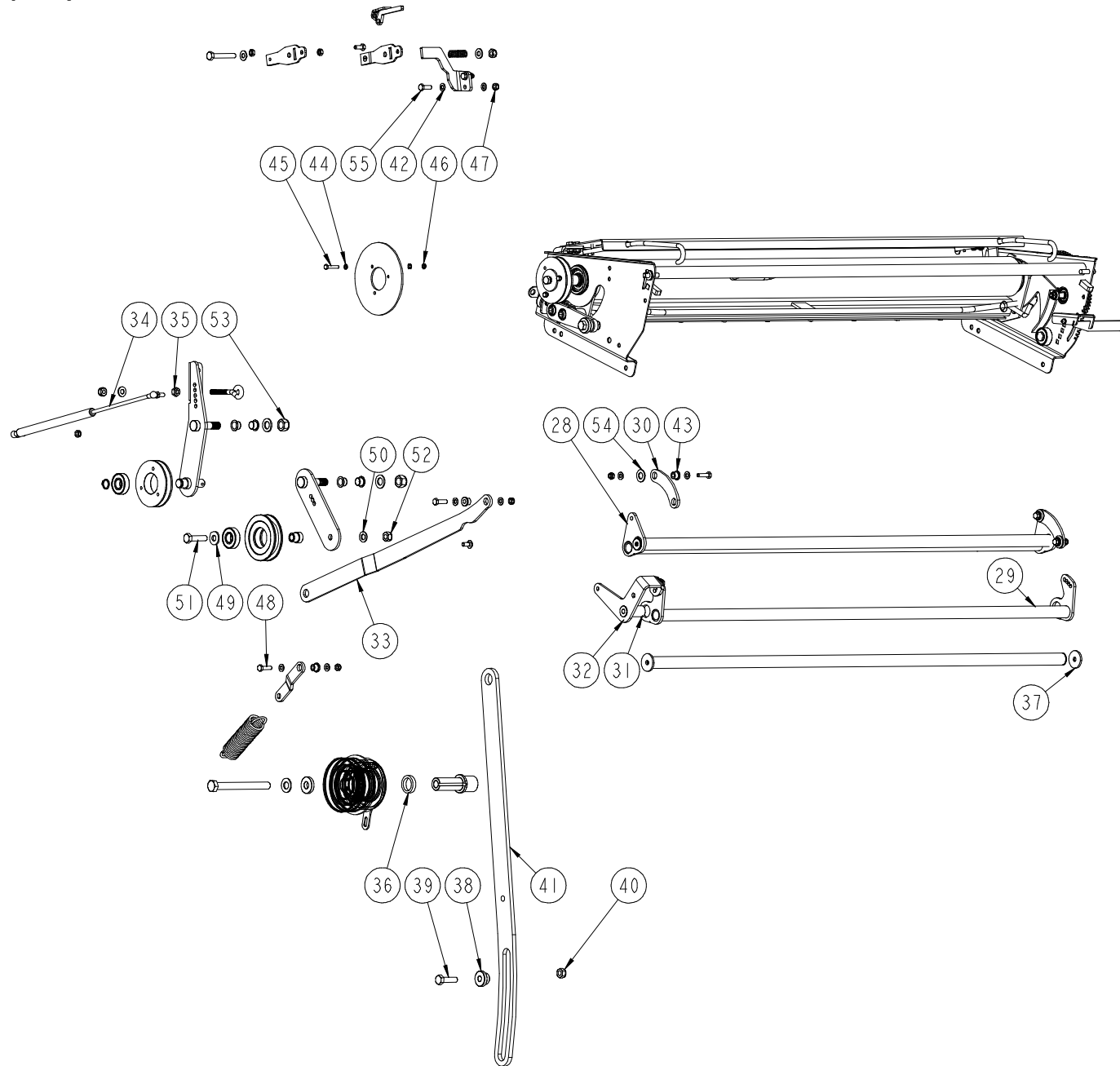
Net tensioner 1 (522)



No.	Part No	Description	Qty
1	CMH02205	SHAFT 40X115 STEPPED	1
2	CEL00259	MAGNETIC CLUTCH UNIT 12V	1
3	CMH02206	WASHER 16X38X10 STEPPED Z/P	1
4	CFA00252	WASHER SKM16	1
5	CFA00772	BOLT M16X160	1
6	ALA00152	BELT TENSION ARM	1
7	CFA00339	CIRCLIP 20MM EXTERNAL	1
8	CMH00596	V BELT PULLEY WHEEL	1
9	CFA00773	BOLT EYE M10X95	1
10	CFA00201	WASHER FLAT 10 MM Z/P	4
11	CBR00118	BEARING STEPPED PLAS 16X18X12	4
12	ALA00198	BELT TENSION COMP ASSY	1
<i>INCLUDES ITEMS 13 THROUGH 17</i>			
12	ALA00197	BELT TENSION WELD ASSY	1
13	CMH00261	BEARING HOLDER CONCENTRIC Z/P	1
<i>REPLACED CMH00936</i>			
14	CBR00020	BEARING 6204 2RS	1
15	ANT00004	PULLEY WHEEL BELT TENSIONER ASSY	1
<i>INCLUDES PULLEY CMH00611, BEARING CBR00020 & CIRCLIP CFA00458</i>			
15	CMH00611	PULLEY 85MM OD GROVED	1
15a	CFA00458	CIRCLIP 47MM INTERNAL	1
16	CZF04593	6MM L BELT TENSIONER PART	1
17	CSG00229	SPRING EXT	1
18	CZD02527	4MM L NET BRAKE RELEASE PART	1
19	ABS00023	BRAKE PAD KIT NET BRAKE RELEASE	1
20	CZF04615	6MM L BRAKE PART NET BRAKE	1
21	CFA00383	BOLT M10X70 Z/P	1
22	CSG00058	SPRING COMP 2.2WDX15ODX9 COIL	1
23	CFA00123	NUT M10 NYLOC	2
24	ABS00021	NET BRAKE RELEASE HANDLE	1
25	CFA00052	SETSCREW M8X20 Z/P	1
26	CFA00133	NUT M8 Z/P	2
27	ALA00147	NET TENSION BAR	2

No.	Part No	Description	Qty
-----	---------	-------------	-----

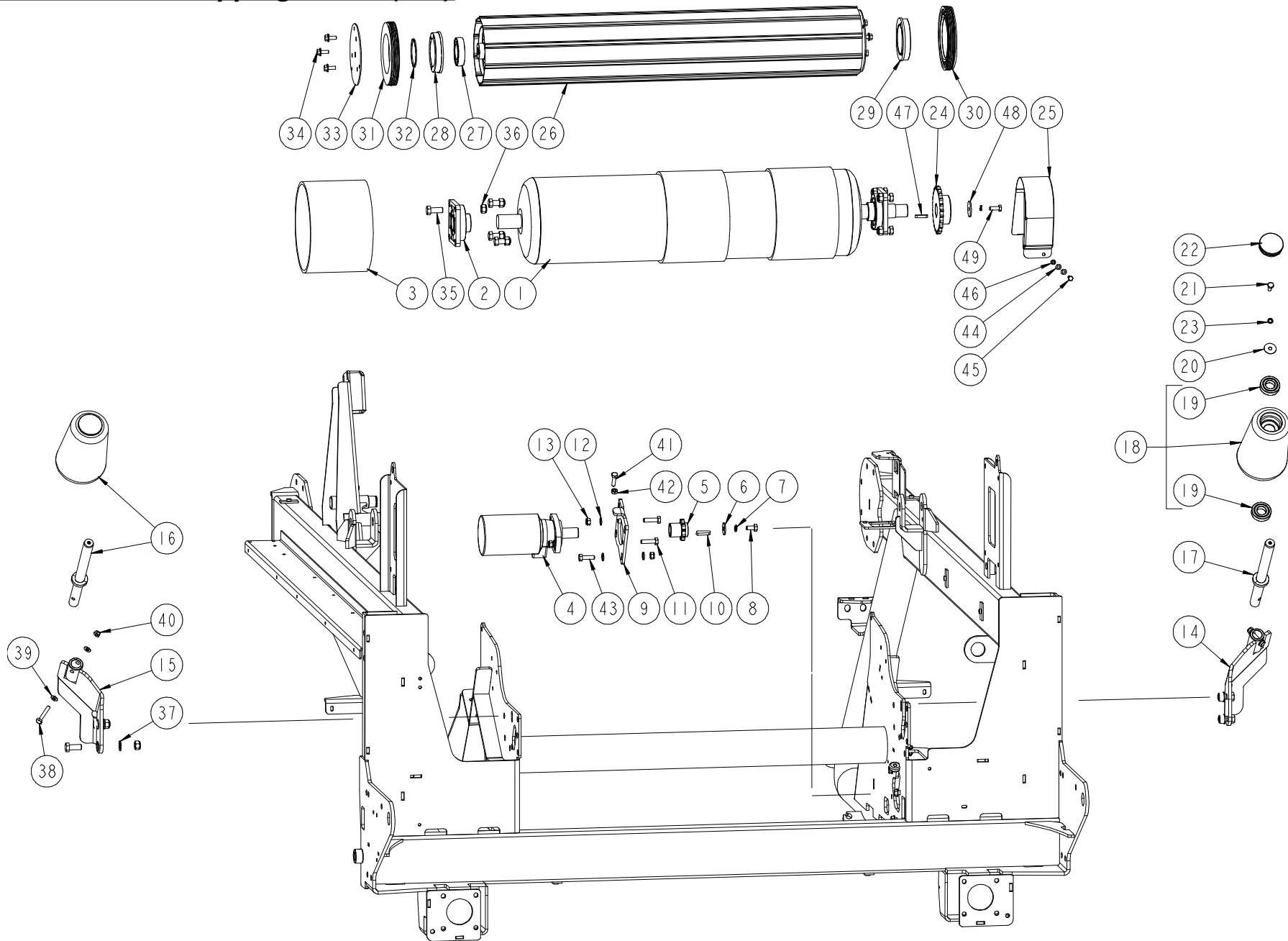
Net tensioner 2 (523)



No.	Part No	Description	Qty
28	ALA00184	NET BRAKE BAR TOP FUSION	1
29	ALA00185	NET BRAKE BAR LOWER	1
30	CZF04542	6MM L NET TENSION BAR PART	2
31	CMH01075	BUSH 10X25X55	1
32	CZF04566	6MM L NET TENSION BAR PART	1
33	CZF04672	6MM L NET TENSION PART FUSION	1
34	CRA00171	GAS STRUT 8X18 650N	1
35	CFA00256	NUT M10 Z/P	1
36	CZG02245	8MM L SPACER PART CLUTCH UNIT	1
37	CZD00118	4MM L CUT& TIE SPACER	2
38	CMH00771	BUSH 12X35 STEPPED	1
39	CFA00079	BOLT M12X45	1
40	CFA00124	NUT M12 NYLOC	2
41	CZH03388	10MM L NET RESET ARM	1
42	CFA00147	WASHER FLAT 8MM Z/P	16
43	CMH00742	BUSH 8X20X13 Z/P	5
44	CFA00144	WASHER FLAT 6MM Z/P	6
45	CFA00253	SETSCREW M6X35 Z/P	3
46	CFA00131	NUT M6 NYLOC	3
47	CFA00132	NUT M8 NYLOC Z/P	10
48	CFA00491	SETSCREW M8X30 Z/P	5
49	CFA00139	WASHER FLAT 12MM H/D Z/P	1
50	CFA00138	WASHER FLAT 12MM Z/P	1
51	CFA00272	BOLT M12X50 Z/P	1
52	CFA00124	NUT M12 NYLOC	1
53	CFA00128	NUT M16 NYLOC	2
54	CFA00222	WASHER FLAT 14MM Z/P	4
55	CFA00407	BOLT M8X25 Z/P	2

No.	Part No	Description	Qty
-----	---------	-------------	-----

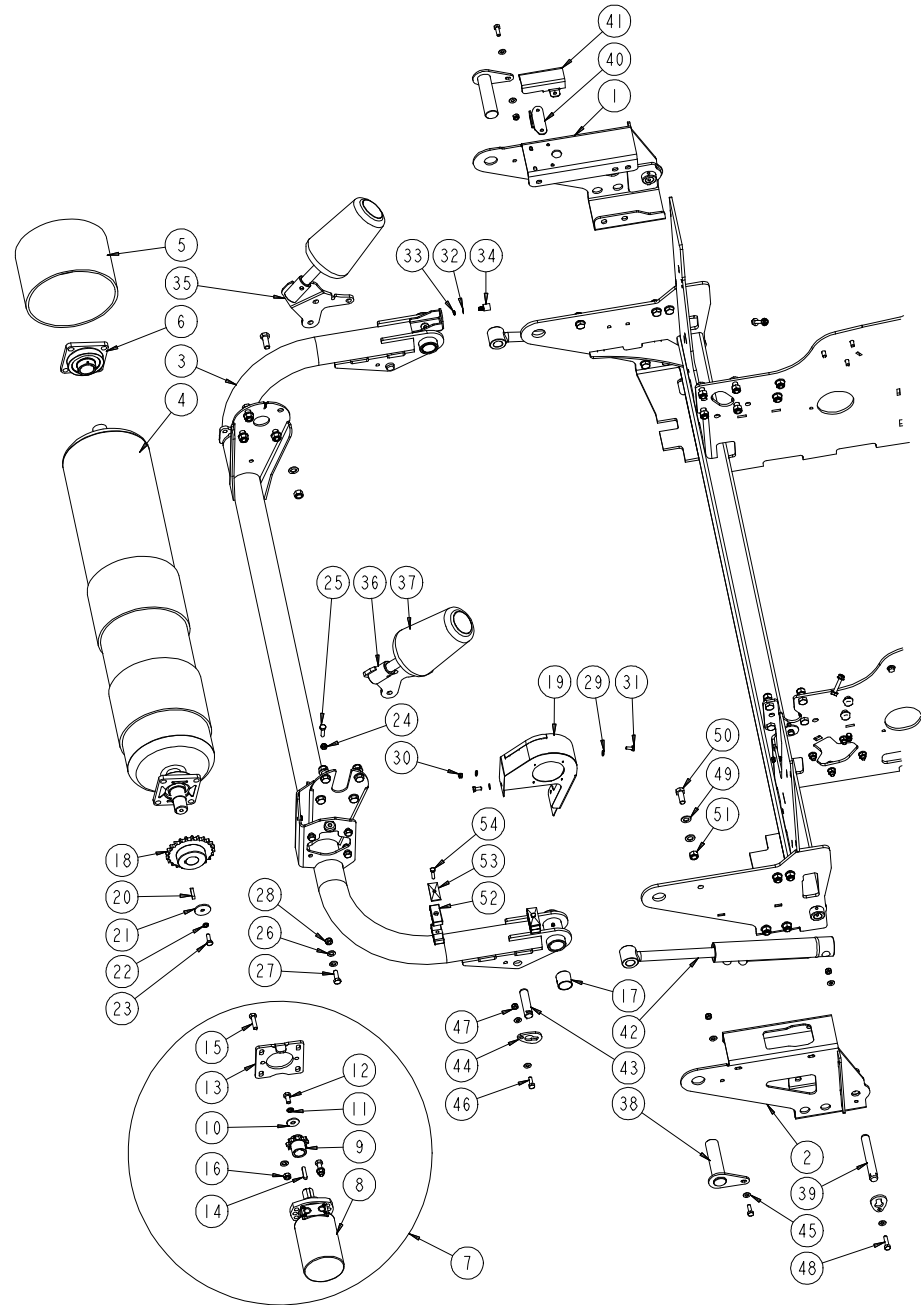
Transfer & Front wrapping rollers (524)



No.	Part No	Description	Qty
1	ART00317	FRONT FUSION ROLLER + BELTS COMPLETE	1
2	CBR00046	BEARING FLANGE SF 1 3/4"	2
3	ALA00129	BELT KIT FOR FUSION	3
4	CMT00064	MOTOR 625CC SIDE PORT 32SHAFT	1
<i>USE SEAL KIT CSE00110 FOR THIS MOTOR</i>			
5	CMH00749	SPROCKET 3/4" 10T 32DIA	1
6	CZC02058	3MM L WASHER 38 X 12.5 X 3	1
7	CFA00207	WASHER SPRING 12MM HD ZP	1
8	CFA00031	SETSCREW M12X25 Z/P	1
9	CZG02077	8MM L MOTOR PLATE PART	1
10	CFA00081	KEY 10X8X45	1
11	CFA00065	SETSCREW M12X45 Z/P	2
12	CFA00138	WASHER FLAT 12MM Z/P	10
13	CFA00124	NUT M12 NYLOC	6
14	ARC00127	BOBBIN BRACKET LEFT FUSION	1
15	ARC00128	BOBBIN BRACKET RIGHT FUSION	1
16	ART00044	BOBBIN ASSY COMBI	2
<i>UP TO SERIAL NO 654558</i>			
16	ART00350	BOBBIN ASSY FUSION	2
<i>FROM SERIAL NO 654559</i>			
17	ART00005	BOBBIN AXLE SHAFT	1
18	CPL00038	BOBBIN ASY	1
18	CPL00008	BOBBIN ASY FUS	1
<i>FROM SERIAL NO 654559</i>			
19	CBR00024	BEARING 62062RS	2
20	CFA00134	WASHER MUDWING M10X38MM OD	1
21	CFA00024	SETSCREW M10X25 Z/P	1
22	CBC00008	CAP PLAS INSERT 75MM	1
23	CFA00137	WASHER SPRING 10MM ZP HD	2
24	CMH00396	SPROCKET 3/4" 24T 40 DIA	1
25	CGD00104	GUARD WRAPPER DRIVE CHAIN	1
26	ARC00054	ROLLER BALE TRANSFER BALER	1
27	CBR00083	BEARING 1726210-2RS RADIAL	2
28	CMH00697	FLANGE 90X145X25 MACHINED	1
29	CMH00977	BUSH 90X135X25	1
30	CPL00052	NYLON SEAL ROLLER DRIVE SIDE	1
31	CPL00053	NYLON SEAL ROLLER NON DRIVE SIDE	1
32	CZC02063	3MM L BEARING RETAINER RING	1
33	CZC02273	3MM L ROLLER SPACER	2
34	CFA00520	SETSCREW M10X25 FLD ZP	6
35	CFA00151	SETSCREW M16X40 Z/P	12
36	CFA00128	NUT M16 NYLOC	12
37	CFA00140	WASHER FLAT 16MM Z/P	8
38	CFA00026	BOLT M10X60	2
39	CFA00201	WASHER FLAT 10 MM Z/P	4
40	CFA00123	NUT M10 NYLOC	2
41	CFA00312	SETSCREW M10X40 Z/P	1
42	CFA00256	NUT M10 Z/P	1
43	CFA00297	BOLT M12X40 Z/P	4

No.	Part No	Description	Qty
44	CFA00147	WASHER FLAT 8MM Z/P	4
45	CFA00407	BOLT M8X25 Z/P	2
46	CFA00132	NUT M8 NYLOC Z/P	2
47	CFA00239	KEY 10X8X40	1
48	CZD00121	4MM L CUT & TIE SPACER Z/P	1
49	CFA00025	SETSCREW M10X30	1

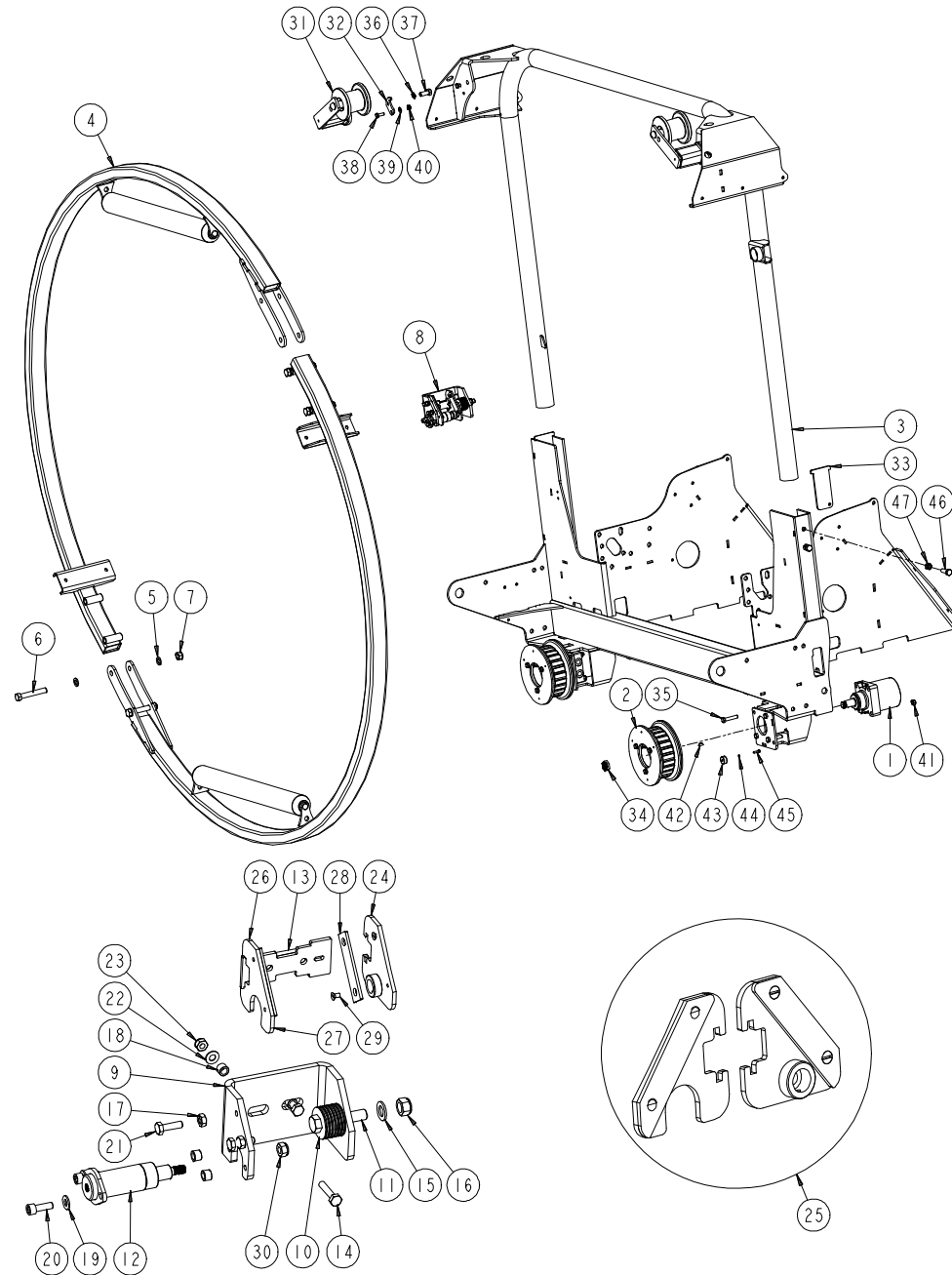
Rear wrapping cradle (525)



No.	Part No	Description	Qty
1	ARC00154	CRADLE SUPPORT ASSY LEFT	1
2	ARC00155	CRADLE SUPPORT ASSY RIGHT	1
3	ACH00416	WRAPPER REAR FRAME WELD ASSY	1
4	ART00102	REAR FUSION ROLLER + BELTS COMPLETE	1
5	ALA00129	BELT KIT FOR FUSION	3
6	CBR00046	BEARING FLANGE SF 1 3/4"	2
7	ART00086	MOTOR ASY FUSION REAR ROLLER	1
8	CMT00064	MOTOR 625CC SIDE PORT 32SHAFT	1
9	CMH00749	SPROCKET 3/4" 10T 32DIA	1
10	CZC02058	3MM L WASHER 38 X 12.5 X 3	1
11	CFA00207	WASHER SPRING 12MM HD ZP	1
12	CFA00031	SETSCREW M12X25 Z/P	1
13	CZG02077	8MM L MOTOR PLATE PART	1
14	CFA00081	KEY 10X8X45	1
15	CFA00065	SETSCREW M12X45 Z/P	2
16	CFA00124	NUT M12 NYLOC	2
17	CBR00082	BEARING GLACIER 4040 SY	4
18	CMH00396	SPROCKET 3/4" 24T 40 DIA	1
19	CGD00038	GUARD REAR ROLLER CRADLE BALER	1
20	CFA00239	KEY 10X8X40	1
21	CZD00121	4MM L CUT & TIE SPACER Z/P	1
22	CFA00137	WASHER SPRING 10MM ZP HD	1
23	CFA00025	SETSCREW M10X30	1
24	CFA00256	NUT M10 Z/P	1
25	CFA00312	SETSCREW M10X40 Z/P	1
26	CFA00138	WASHER FLAT 12MM Z/P	10
27	CFA00033	SETSCREW M12X35 Z/P	4
28	CFA00124	NUT M12 NYLOC	4
29	CFA00147	WASHER FLAT 8MM Z/P	6
30	CFA00132	NUT M8 NYLOC Z/P	3
31	CFA00052	SETSCREW M8X20 Z/P	3
32	CFA00144	WASHER FLAT 6MM Z/P	1
33	CFA00131	NUT M6 NYLOC	1
34	CEL00017	MAGNET BLUE WHEEL	1
34a	CFA00190	SETSCREW M6X30 SS	1
35	ART00305	BOBBIN BRACKET REAR ROLLER	1
36	ART00311	BOBBIN BRACKET REAR ROLLER	1
37	ART00044	BOBBIN ASSY	2
<i>UP TO SERIAL NO 654558</i>			
37	ART00350	BOBBIN ASSY FUSION	2
<i>FROM SERIAL NO 654559</i>			
38	ACH00396	40MM PIN ASSY WRAPPER CRADLE	2
39	CMH00403	PIN 25X170 Z/P MILLED FOR CAP	2
40	CZD02506	4MM L SENSOR BRACKET PART	1
41	CZC03278	3MM L SENSOR GUARD PART	1
42	CRA00558	RAM 50X30 ROLLER CRADLE FUSION	2
43	CMH00422	PIN 25 X 100 MILLED FOR CAP Z/P	2
44	CZF00293	6MM L CAP SHORT FOR 25MM PINS	4
45	CFA00201	WASHER FLAT 10 MM Z/P	12

No.	Part No	Description	Qty
46	CFA00025	SETSCREW M10X30	4
47	CFA00123	NUT M10 NYLOC	6
48	CFA00071	BOLT M10X40	2
49	CFA00140	WASHER FLAT 16MM Z/P	36
50	CFA00151	SETSCREW M16X40 Z/P	18
51	CFA00128	NUT M16 NYLOC	18
52	CFA00203	20MM HOSE CLAMP	4
53	CFA00204	HOSE CLAMP COVER PLATE 20-25	2
54	CFA00100	BOLT M8X40 Z/P	2

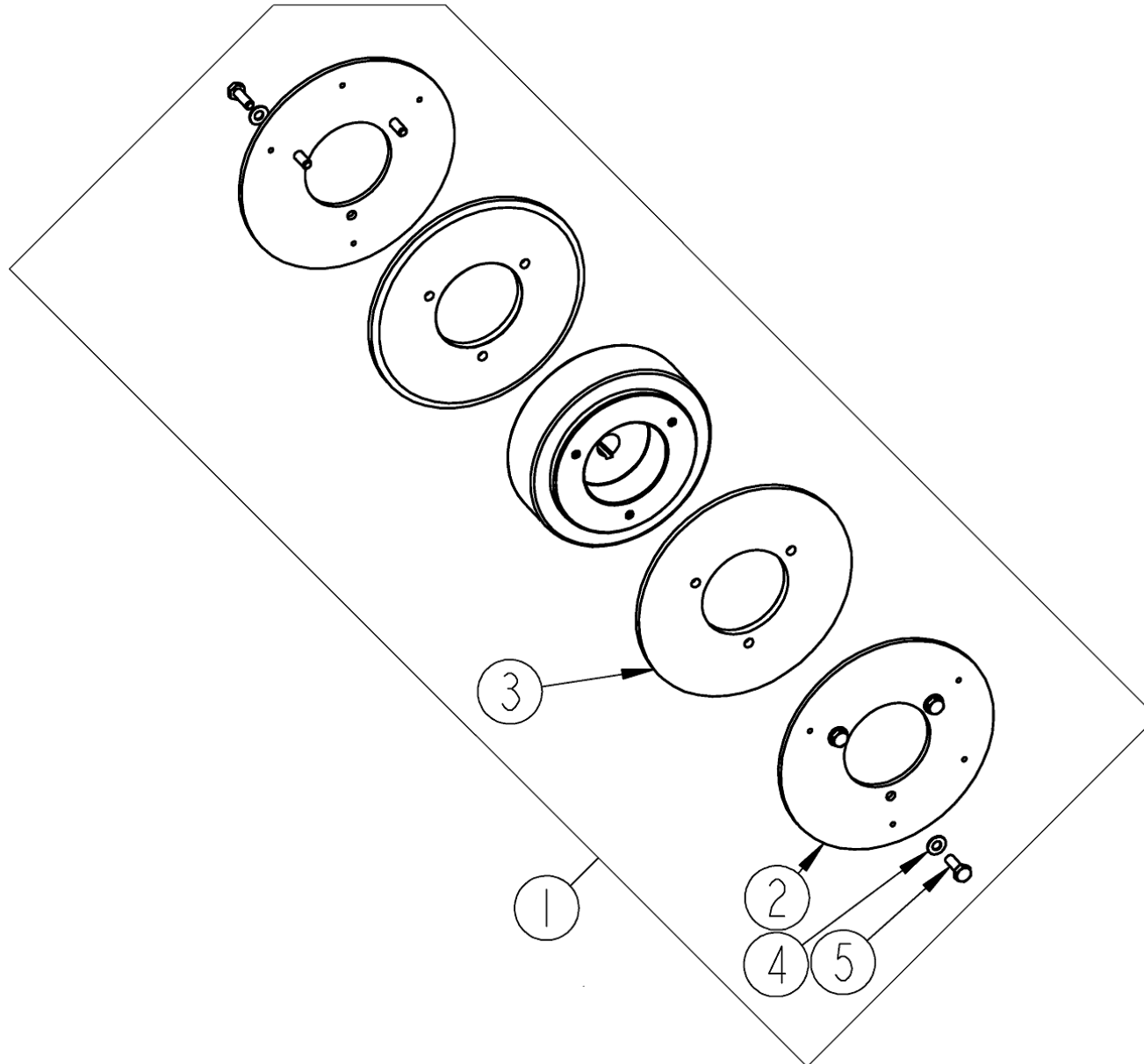
Dispenser Ring (526)



No.	Part No	Description	Qty
1	CMT00056	MOTOR 80CC WHEEL TAPER SHAFT	2
<i>USE SEAL KIT CSE00110 FOR THIS MOTOR</i>			
2	CWH00038	DRIVE WHEEL DISPENSER RING COM	2
3	ACH00905	DISPENSER RING SUPPORT ARM	1
4	ADP00060	KIT DISPENSER RING	1
<i>COMPLETE RING ASSEMBLY</i>			
5	CFA00413	WASHER FLAT 20MM Z/P	8
6	CFA00580	BOLT M20X130 ZP	4
7	CFA00129	NUT M20 NYLOC	4
8	ACH00342	BRAKE CALLIPER ASSY	1
9	CZH02466	10MM L BRAKE CALLIPER	1
10	CSG00032	SPRING BELVILLE 18X50	14
11	CFA00043	BOLT M16X80	1
12	CRA00172	RAM BRAKE CALLIPER	1
13	ACH00344	BRAKE PAD SLIDE ASSY	1
14	CFA00311	SETSCREW M10X35 Z/P	2
15	CFA00140	WASHER FLAT 16MM Z/P	2
16	CFA00128	NUT M16 NYLOC	1
17	CFA00256	NUT M10 Z/P	2
18	CMH00809	BUSH 10X16X11	4
19	CFA00201	WASHER FLAT 10 MM Z/P	2
20	CFA00602	SETSCREW M10X30 SOC CAP Z/P	2
21	CFA00310	BOLT M10X50 Z/P	2
22	CFA00251	WASHER SKM10	2
23	CFA00123	NUT M10 NYLOC	2
24	ABS00012	BRAKE PAD ASSY FUSIO	1
25	ABS00014	REPLACEMENT BRAKE PAD SET	1
<i>REPLACEMENT BRAKE PAD SET (INCLUDES ITEMS 24, 26, 27 & 28)</i>			
26	ABS00013	BRAKE PAD ASSY FUSION	1
27	CZF02710	6MM L BRAKE PAD PART	1
28	CBE00039	BELT BRAKE CALIPER 3	2
29	CFA00601	BOLT M6X12 CSK BRASS SLOTTED	4
30	CFA00124	NUT M12 NYLOC	1
31	ACH00364	SUSPENSION UNIT DISPENSER RING	2
32	CZF02736	6MM L BALER CHASSIS PART	2
33	CZF04516	6MM L CHASSIS PART FUSION	2
34	CFA00612	NUT CASTLE 24X38	2
35	CFA00579	BOLT M12X65 ZP	8
36	CFA00142	WASHER SPRING 16MM Z/P	2
37	CFA00151	SETSCREW M16X40 Z/P	2
38	CFA00025	SETSCREW M10X30	4
39	CFA00201	WASHER FLAT 10 MM Z/P	4
40	CFA00123	NUT M10 NYLOC	4
41	CFA00124	NUT M12 NYLOC	8
42	CFA00611	KEY RING MOTOR FUSION	2
43	CEL00017	MAGNET BLUE WHEEL	2
44	CFA00144	WASHER FLAT 6MM Z/P	2
45	CFA00098	SETSCREW M6X25 Z/P	2
46	CFA00116	BOLT M16X50 Z/P	4

No.	Part No	Description	Qty
47	CFA00231	NUT M16 Z/P	4

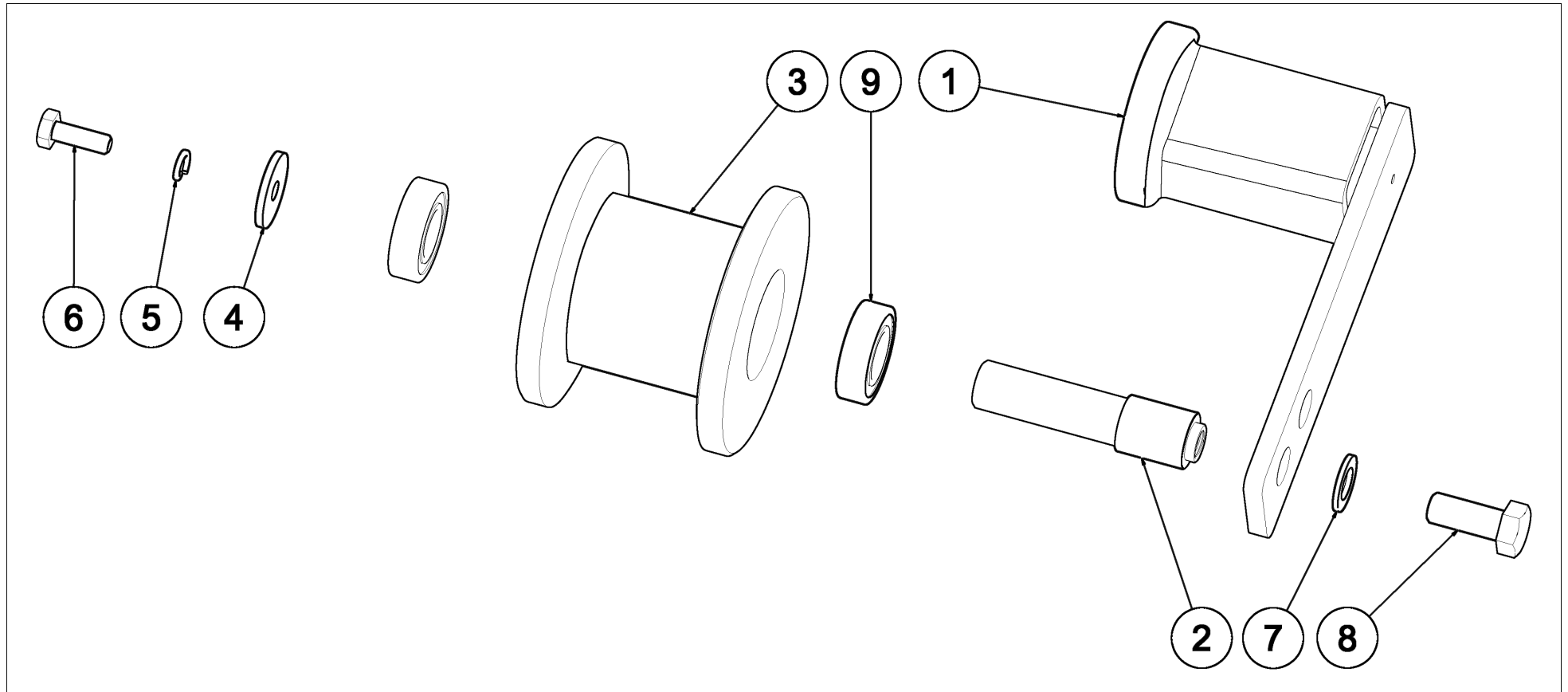
Dispenser ring drive wheel (527)



No.	Part No	Description	Qty
1	CWH00038	DISPENSER DRIVE WHEEL COMPLETE	2
2	CZF02725	6MM L WHEEL SIDE PLATE 250 DIA	2
3	CPL00049	PLASTIC WHEEL WEAR PLATE	2
4	CFA00251	WASHER SKM M10	6
5	CFA00025	SETSCREW M10X30	6

No.	Part No	Description	Qty
-----	---------	-------------	-----

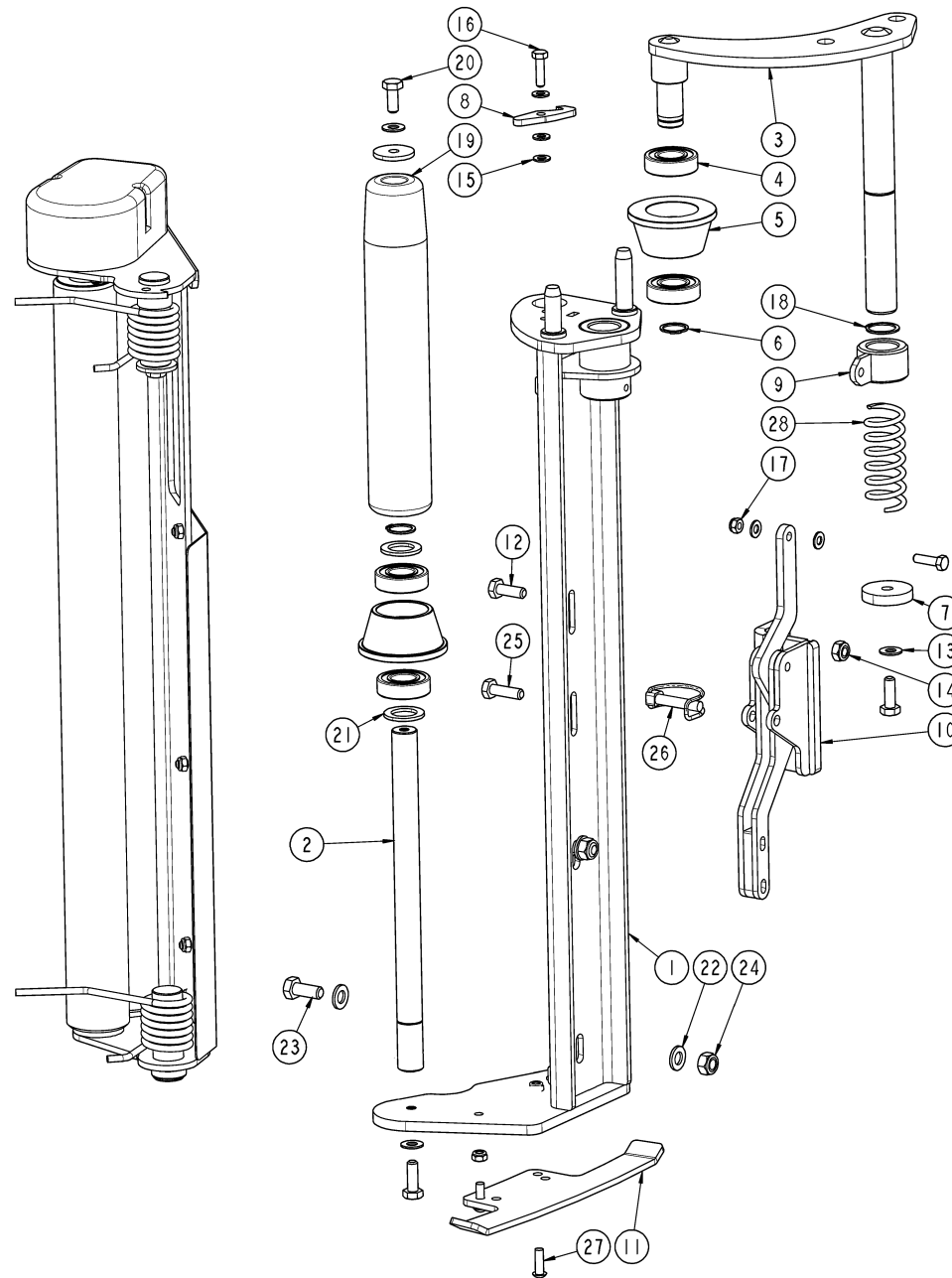
Dispenser ring suspension unit (528)



No.	Part No	Description	Qty
1	ACH00363	SUSPENSION UNIT ASSY	1
2	CMH00694	PIN 30X 115 STEPPED 25	1
3	CWH00253	PLASTIC WHEEL INCLUDING TWO BEARINGS	1
4	CZD00118	4MM L CUT& TIE SPACER	1
5	CFA00137	WASHER SPRING 10MM H.D ZP	1
6	CFA00025	SETSCREW M10X30	1
7	CFA00140	WASHER FLAT 16MM ZP	1
8	CFA00151	SETSCREW M16X40 ZP	1
9	CBR00009	BEARING 6205 2RS	2

No.	Part No	Description	Qty
-----	---------	-------------	-----

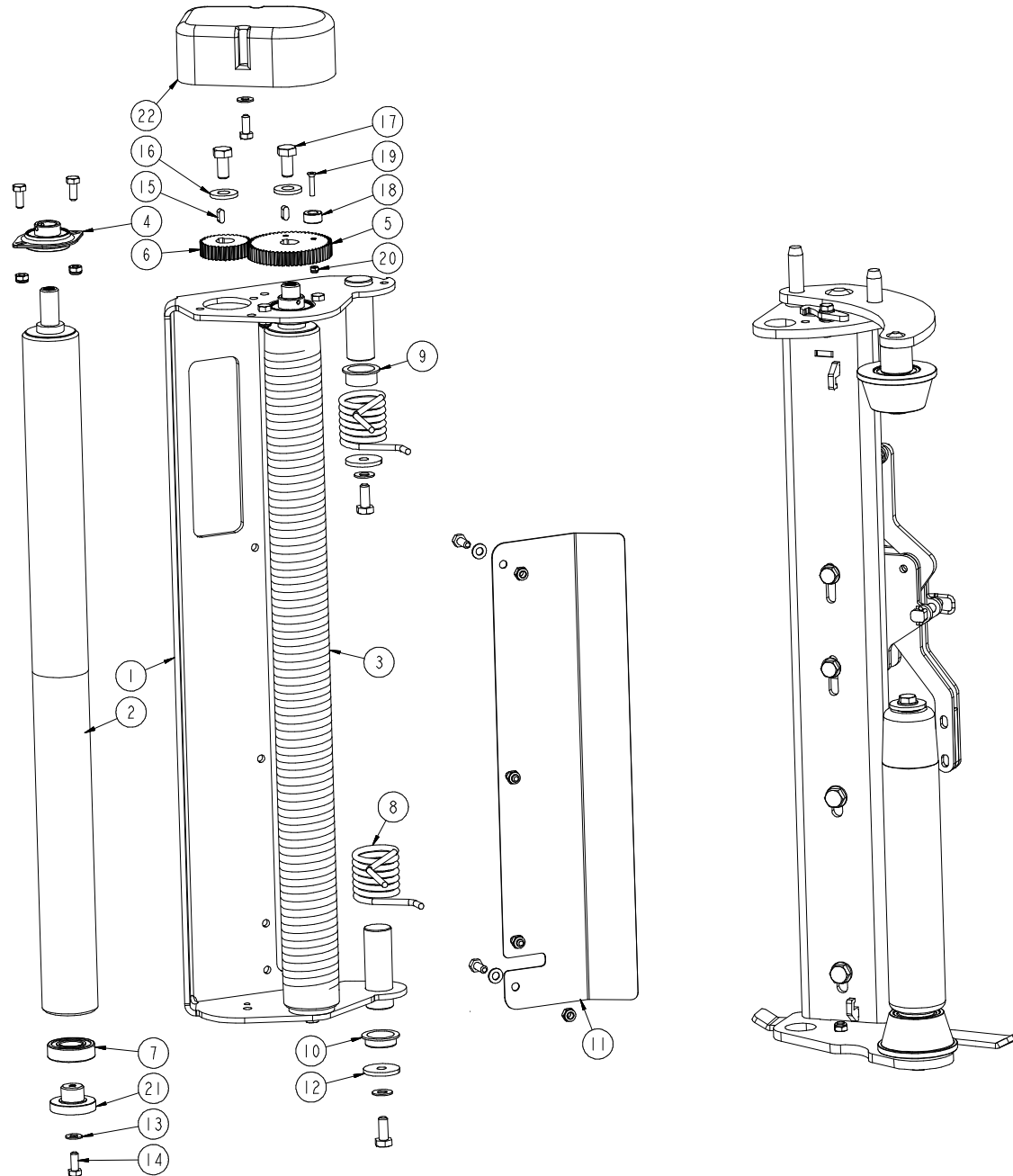
Dispenser 1 (529)



No.	Part No	Description	Qty
1	ADP00080	DISP WELD FILM HOLDER FUSION	1
2	CMH00573	PIN 25X392 AXLE FILM DISPENSER	1
3	ADP00084	DISP ROLL RETAINER WELD ASSY B/W	1
4	CBR00009	BEARING 6205 2RS	4
5	CMH00785	COIL ROLLER (2 BEARING TYPE)	2
6	CFA00001	CIRCLIP 25MM EXTERNAL Z/P	2
7	CZH02093	10MM L WASHER 10X50 Z/P	1
8	CZF02832	6MM L DISPENSER PART BALER	1
9	ADP00100	DISP SLIDE BUSH ASSY	1
10	ADP00162	DIS LOCK COMP ASSY	1
11	CZF02846	6MM L SENSOR PLATE BALER	1
12	CFA00025	SETSCREW M10X30	3
13	CFA00251	WASHER SKM10	7
14	CFA00123	NUT M10 NYLOC	2
15	CFA00147	WASHER FLAT 8MM Z/P	10
16	CFA00316	BOLT M8X30 Z/P	2
17	CFA00132	NUT M8 NYLOC Z/P	12
18	CFA00402	CIRCLIP 30MM EXTERNAL	1
19	CPL00059	BOBBIN DISPENSER ROLL GUIDE	1
20	CFA00024	SETSCREW M10X25 Z/P	3
21	CZC00112	3MM L DISPENSER SPACER	2
22	CFA00138	WASHER FLAT 12MM Z/P	4
23	CFA00032	SETSCREW M12X30 Z/P	2
24	CFA00124	NUT M12 NYLOC	2
25	CFA00311	SETSCREW M10X35 Z/P	1
26	CFA00194	LINCH PIN PIPE 10MMX50MM	1
27	CFA00744	SETSCREW M8X25 BUTTO	2
28	CSG00213	SPRING 4.88W/D X 31ID X 7T/C X 100 F/C	1

No.	Part No	Description	Qty
-----	---------	-------------	-----

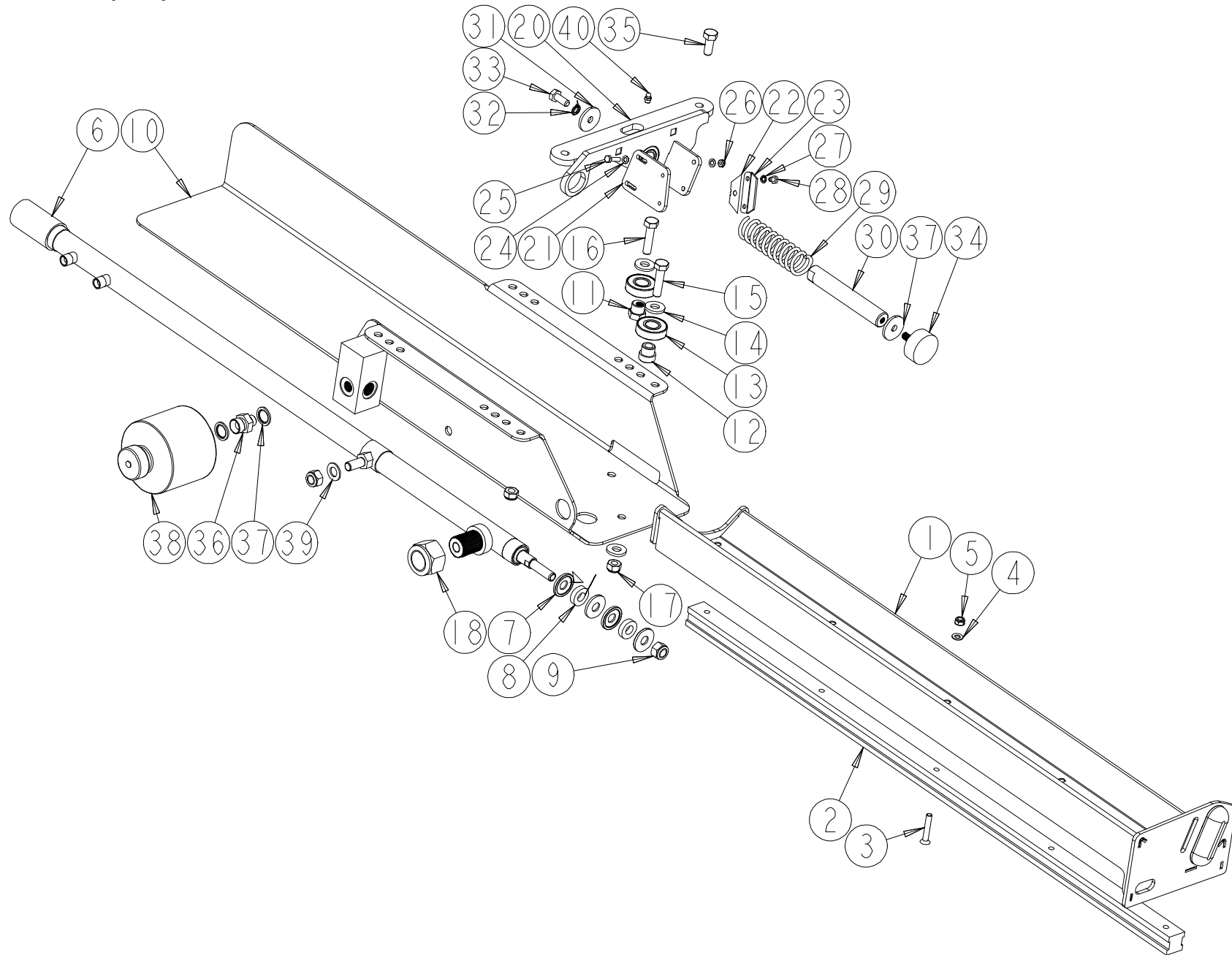
Dispenser 2 (530)



No.	Part No	Description	Qty
1	ADP00082	DISP ROLLER FRAME WELD ASSY B/W	1
<i>USED ON FUSION 1, FUSION 2, FUSION 3 & FUSION 3 PLUS</i>			
1	ADP00279	DISP ROLLER FRAME WELD VARIO	1
<i>USED ON FUSION VARIO ONLY</i>			
1	ADP00325	DISP WELD ROLLER FRAME ORBITAL	1
<i>USED ON ORBITAL ONLY (FOR MACHINES PRIOR TO SERIAL No 125063 ALSO ORDER KIT KST00080)</i>			
2	CMH00580	ROLLER SECONDARY ALU BALER/WRAPPER	1
3	CMH02320	ROLLER DISPENSER PRIMARY SPIROL FUSION/W20	1
4	CBR00004	BEARING 20MM 2BOLT P/S FLANGE	2
5+6	ADP00018	KIT DISPENSER GEARS 70%	1
5+6	ADP00019	KIT DISPENSER GEARS 55%	1
7	CBR00009	BEARING 6205 2RS	2
8	CSG00041	SPRING TOR 6.35WDX48ODX7.8COIL	2
9	CBR00068	BEARING 30X34X16 STEPPED PLAS	1
10	CBR00107	BEARING 30X34X11 STEPPED PLAS	1
11	CZB02152	1.5MM L DISPENSER GRASS GUARD	1
12	CZD00118	4MM L CUT& TIE SPACER	3
13	CFA00249	WASHER SKM8	4
14	CFA00052	SETSCREW M8X20 Z/P	12
15	CFA00153	KEY 6X6X15	2
16	CFA00139	WASHER FLAT 12MM H/D Z/P	2
17	CFA00031	SETSCREW M12X25 Z/P	2
18	CEL00059	MAGNET 20 X 10 260369	1
19	CFA00608	SETSCREW M5X25 CSK HEAD SS	1
20	CFA00348	NUT M5 NYLOC SS	1
21	CMH00583	PIN 50X40 STEPPED 20	2
22	CEL00221	TRANSMITTER EVEN/GEAR COVER	1
22	CEL00222	TRANSMITTER ODD/ GEAR COVER	1
22	CEL00636	KIT TRANSMITTERS AND RECEIVER	1

No.	Part No	Description	Qty
-----	---------	-------------	-----

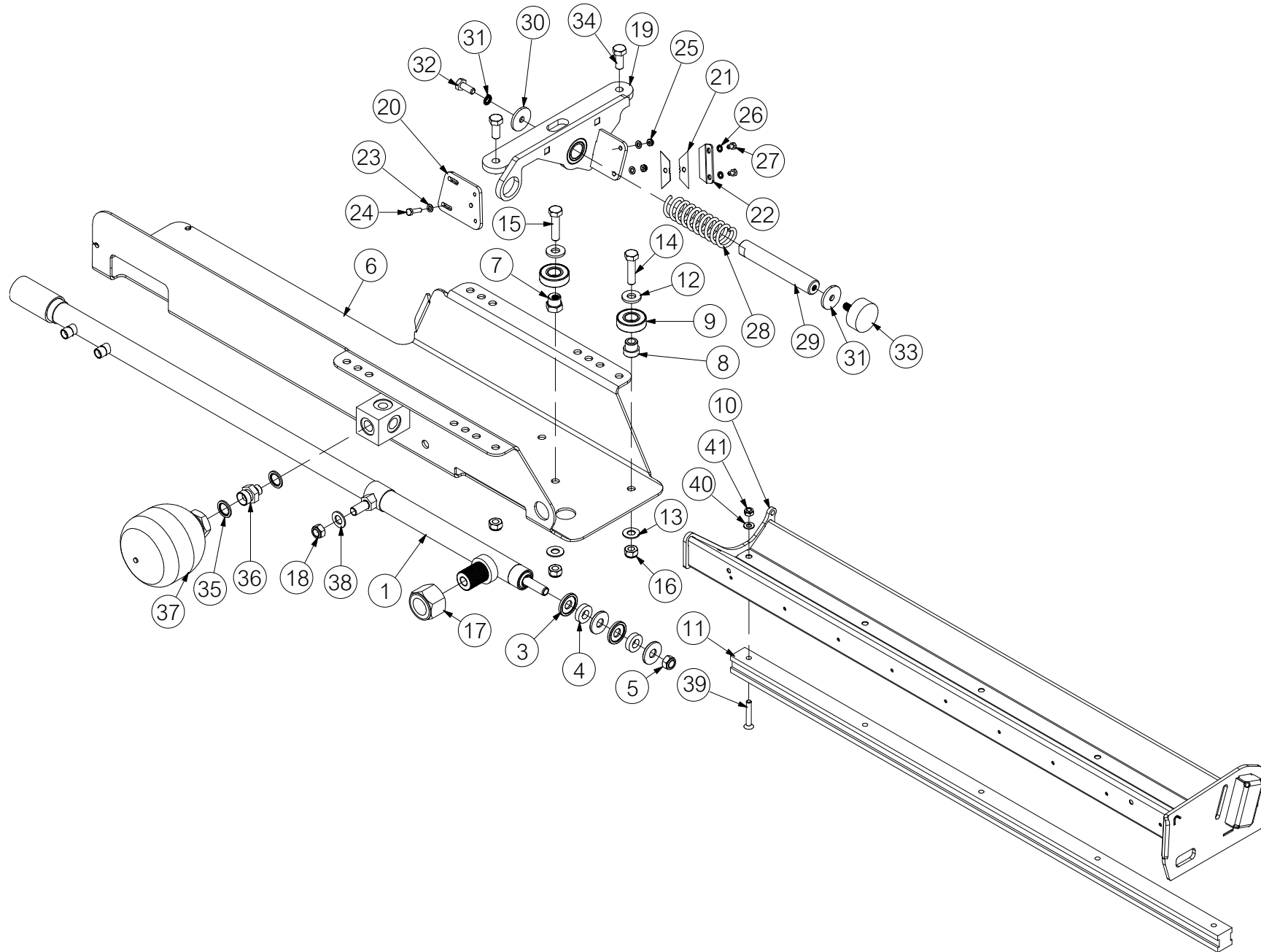
Cut & Hold LH (531)



No. Part No	Description	Qty
0 KST00062	KIT CUT&TIE COMP ASSY LH FUSION 2	1
<i>REPLACES ACT00038</i>		
1 ACT00002	CUT&HOLD SLIDER BARE (ALUM)	1
2 CMH00260	CUT&HOLD RAIL	1
3 CFA00089	SETSCREW M8X45 CSK HEX ZP	5
4 CFA00147	WASHER FLAT 8MM ZP	5
5 CFA00132	NUT M8 NYLOC ZP	5
6 CRA00074	RAM 25X18 CUT&HOLD 998	1
7 CMH00330	WASHER DISHED 998 C&H RAM	4
8 CMH00331	WASHER RUBBER 998 C&H	2
9 CFA00126	NUT M14 NYLOC	1
10 KST00061	KIT CUT&TIE FRAME LH FUSION 2	1
<i>REPLACES ACT00041</i>		
11 CMH00262	BEARING HOLDER ECCENTRIC	1
12 CMH00261	BEARING HOLDER CONCENTRIC ZP	2
13 CBR00020	BEARING 6204 2RS	3
14 CFA00139	WASHER FLAT 12MM H/D ZP	6
15 CFA00272	BOLT M12X50 ZP	2
16 CFA00270	SETSCREW M12X50 ZP	1
17 CFA00124	NUT M12 NYLOC	5
18 CFA00012	NUT 1"1/4 NYLOOC UNF	1
19 CFA00126	NUT M14 NYLOC	1
20 ACT00003	CUT&HOLD 998, PLUNGER BRACKET	1
21 CZF02121	6MM L KNIFE PLATE	1
22 CKN00011	KNIFE STANLEY BLADE CUT&HOLD	2
23 CZC02012	3MM L 998/COMBI KNIFE CLAMP	1
24 CFA00144	WASHER FLAT 6MM ZP	4
25 CFA00098	SETSCREW M6X25 ZP	2
26 CFA00131	NUT M6 NYLOC	2
27 CFA00268	WASHER 6MM SHAKEPROOF	2
28 CFA00269	SETSCREW M6X10 ZP	2
29 CSG00036	SPRING COM 4.88X38X150X12	1
30 CMH00023	PIN 25X159 C.PLUNGER C&T	1
31 CZD00118	4MM L CUT& TIE SPACER	2
32 CFA00137	WASHER SPRING 10MM H.D ZP	1
33 CFA00024	SETSCREW M1 0X25 ZP	1
34 CBE00002	BUFFER RUBBER 50X21 M10X28	1
35 CFA00032	SETSCREW M12X30 ZP	2
36 CHY02008	ADAPTOR 1/2" M 3/8" M	1
37 CHY00053	WASHER DOWTY 112"	2
38 CVA03011	ACCUMULATOR 0.7 LITRE 70 BAR	1
39 CFA00222	WASHER FLAT 14MM ZP	1
40 CFA00118	GREASE NIPPLE M8X1.25 STRAIGHT	1

No. Part No	Description	Qty
-------------	-------------	-----

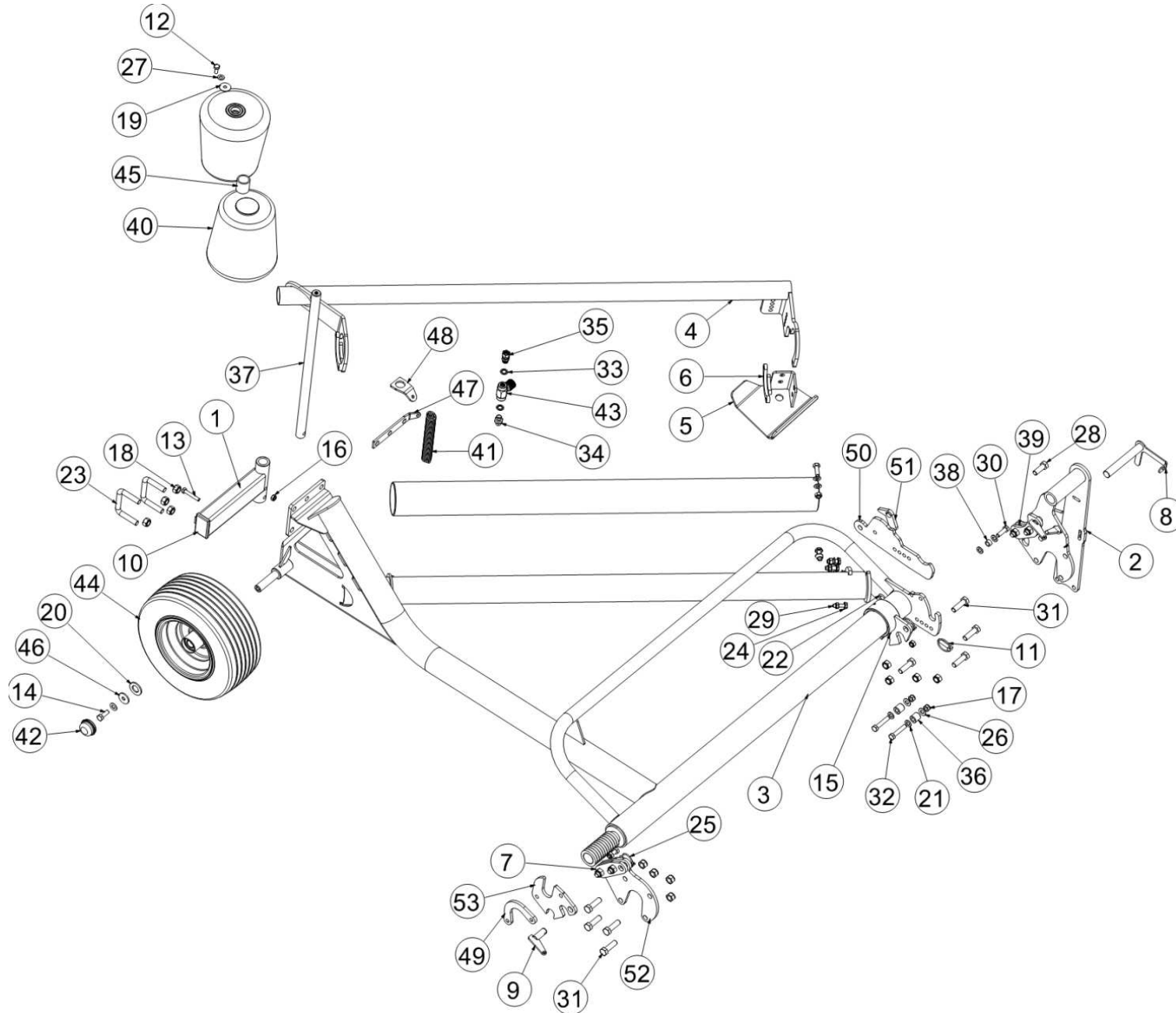
Cut & Hold RH (532)



No.	Part No	Description	Qty
0	ACT00039	CUT & HOLD BALER RHS COMPLETE	1
ALSO ORDER HOSES CHY02897 & CHY02899 PRIOR TO SERIAL No 659778 (FUSION 3) & SERIAL No 900158 (FUS VARIO)			
1	CRA00074	RAM 25X18 CUT&HOLD 998	1
2	CSE00074	SEAL KIT RAM CUT&HOLD	1
SEAL KIT FOR CRA00074 (NOT SHOWN)			
3	CMH00330	WASHER DISHED 998 C&H RAM	4
4	CMH00331	WASHER RUBBER 998 C&H	2
5	CFA00126	NUT M14 NYLOC	1
6	ACT00042	CUT & HOLD FRAME WELD ASY RGHT	1
ALSO ORDER HOSES CHY02897 & CHY02899 PRIOR TO SERIAL No 659778 (FUSION 3) & SERIAL No 900158 (FUS VARIO)			
7	CMH00262	BEARING HOLDER ECCENTRIC	1
8	CMH00261	BEARING HOLDER CONCENTRIC Z/P	2
9	CBR00020	BEARING 6204 2RS	3
10	ACT00002	CUT&HOLD SLIDER BARE (ALUM)	1
11	CMH00260	CUT&HOLD RAIL	1
12	CFA00139	WASHER FLAT 12MM H/D Z/P	3
13	CFA00250	WASHER SKM12	3
14	CFA00272	BOLT M12X50 Z/P	2
15	CFA00270	SETSCREW M12X50 Z/P	1
16	CFA00124	NUT M12 NYLOC	6
17	CFA00012	NUT 1"1/4 NYLOC UNF	1
18	CFA00126	NUT M14 NYLOC	1
19	ACT00003	CUT&HOLD 998, PLUNGER BRACKET	1
20	CZF02121	6MM L KNIFE PLATE	1
21	CKN00011	KNIFE STANLEY BLADE CUT&HOLD	2
22	CZC02012	3MM L 998 /COMBI KNIFE CLAMP	1
23	CFA00144	WASHER FLAT 6MM Z/P	4
24	CFA00098	SETSCREW M6X25 Z/P	2
25	CFA00131	NUT M6 NYLOC	2
26	CFA00268	WASHER 6MM SHAKEPROOF	2
27	CFA00269	SETSCREW M6X10 Z/P	2
28	CSG00036	SPRING COM 4.88X38X150X12	1
29	CMH00023	PIN 25X159 C.PLUNGER C&T	1
30	CZD00118	4MM L CUT& TIE SPACER	2
31	CFA00137	WASHER SPRING 10MM H.D Z/P	1
32	CFA00024	SETSCREW M10X25 Z/P	1
33	CBE00002	BUFFER RUBBER 50X21 M10X28	1
34	CFA00032	SETSCREW M12X30 Z/P	2
35	CHY00053	WASHER DOWTY 1/2	2
36	CHY02008	ADAPTOR 1/2 M 3/8 M	1
37	CVA03011	ACCUMULATOR 0.7 LITRE 70 BAR	1
38	CFA00222	WASHER FLAT 14MM Z/P	1
39	CFA00089	SETSCREW M8X45 CSK HEX Z/P	5
40	CFA00147	WASHER FLAT 8MM Z/P	5
41	CFA00132	NUT M8 NYLOC Z/P	5

No.	Part No	Description	Qty
-----	---------	-------------	-----

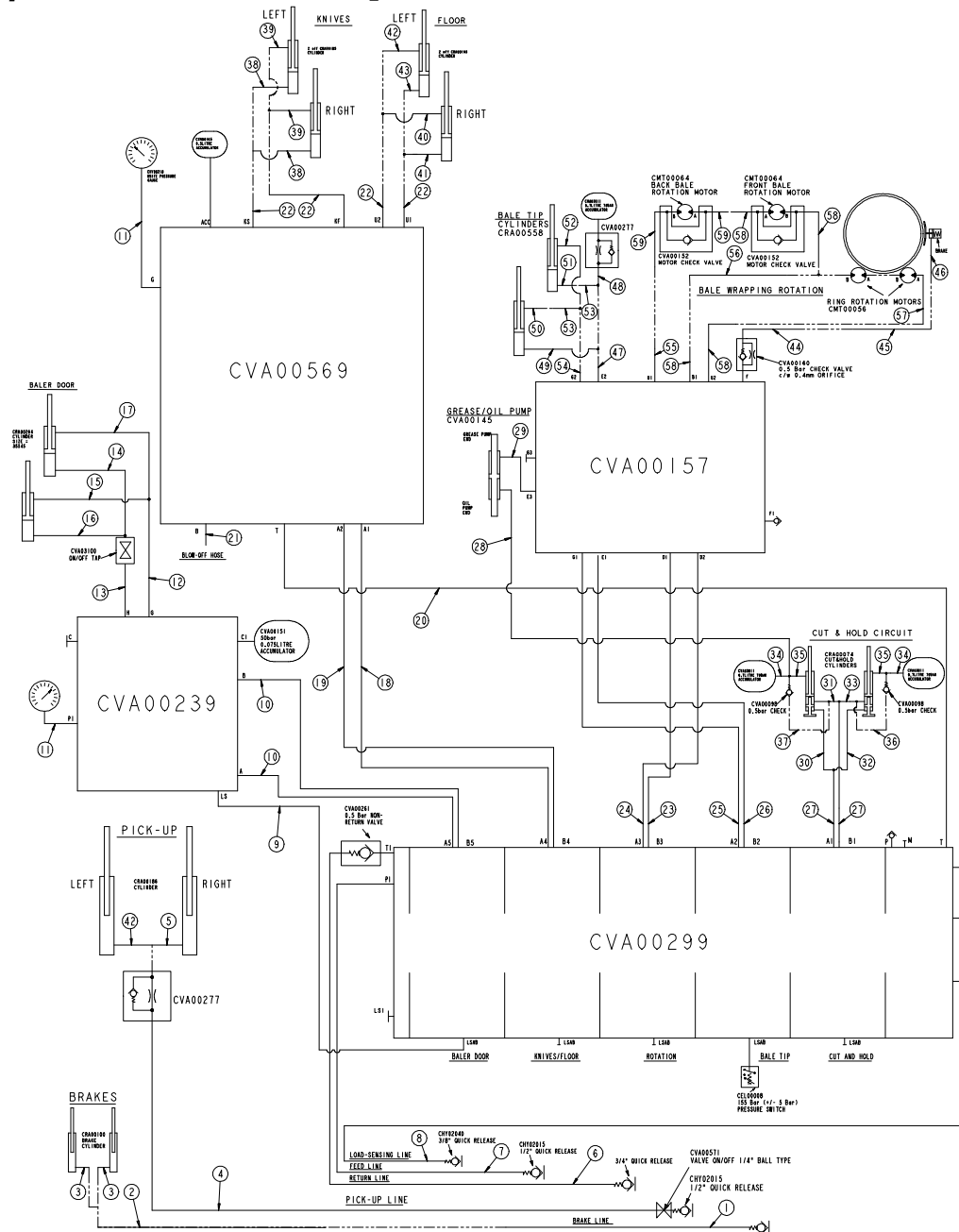
Side tip [Up to Serial No 657660] (557)



No.	Part No	Description	Qty
0	ABD00092	SIDE TIP WITH BOBBINS FUSION RETROFIT	1
<i>SIDE TIP ASSEMBLY RETROFIT KIT - INCLUDES ALL REQUIREMENTS + INSTRUCTIONS</i>			
1	ABD00030	BOBBIN AXLE BUSH	1
2	ABD00038	LEFT MOUNTING BRACKET	1
3	ABD00041	SIDE TIP BALER WELD	1
<i>NO LONGER AVAILABLE. MUST ORDER COMPLETE SIDE TIP ASM - PART No ABD00092</i>			
4	ABD00047	FUSION 2 SIDETIP BAR	1
5	ABD00048	FUSION 2 SIDETIP GROUND SUPPORT	1
6	ABD00050	LATCH SIDE TIP DROP BAR	2
7	ABD00053	HINGE ASSY SIDETIP FUSION 2	1
<i>INCLUDES ITEMS 9, 14, 17, 18, 31, 39, 49, 52 & 53</i>			
8	ABD00040	LOCK PIN 25X200 SIDETIP FUSION	1
<i>FUSION 1 & 2 ONLY</i>			
8	ABD00066	PIN 25 X 180 SIDE TIP FUSION 3	1
<i>FUSION 3 ONLY</i>			
9	ALA00335	PIN ASSY 20MM SIDETIP FUSION 2	1
10	CBC00021	CAP SQ PLASTIC INSERT 80 X 50	1
11	CFA00005	LINCH PIN 10MM	1
12	CFA00024	SETSCREW M10X25 Z/P	1
13	CFA00026	BOLT M10X60	1
14	CFA00031	SETSCREW M12X25 Z/P	7
15	CFA00118	GREASE NIPPLE M8X1.25 STRAIGHT	1
16	CFA00123	NUT M10 NYLOC	5
17	CFA00124	NUT M12 NYLOC	10
18	CFA00128	NUT M16 NYLOC	15
19	CFA00134	WASHER MUDWING M10X38MM OD	1
20	CFA00720	WASHER FLAT M26 Z/P DIN126	1
21	CFA00138	WASHER FLAT 12MM Z/P	12
22	CFA00140	WASHER FLAT 16MM Z/P	1
23	CFA00200	U BOLT M16X80X50 Z/P	2
24	CFA00201	WASHER FLAT 10 MM Z/P	4
25	CFA00202	LINCH PIN 6MM	2
26	CFA00250	WASHER SKM12	3
27	CFA00251	WASHER SKM10	1
28	CFA00282	BOLT M16X45	1
29	CFA00312	SETSCREW M10X40 Z/P	4
30	CFA00324	SETSCREW M12X40 Z/P	2
31	CFA00349	SETSCREW M16X55 Z/P	10
32	CFA00579	BOLT M12X65 ZP	2
33	CHY00020	WASHER DOWTY 3/8"	2
34	CHY02002	ADAPTOR 3/8" BSP M/M	1
35	CHY02098	ADAPTOR 3/8" BSP M-F	1
36	CMH00745	BUSH 12X25X25	2
37	CMH00874	SHAFT 30 X 660	1
38	CMH00968	BUSH 19X12.5X11	1
39	CMH01188	BUSH 16X30X11	2
40	CPL00008	BOBBIN ASY BIG 30MM BEARING	2
41	CSG00303	SPRING EXT 4.47X40.3X240 OPEN EYES	1
<i>REPLACES CSG00207</i>			
42	CTP00070	DUST CAP 170/60-8 VREDESTEIN	1

No.	Part No	Description	Qty
43	CVA00276	VALVE NEEDLE 3/8	1
44	CWH00037	WHEEL 170/60-8 V64+ 6PLY PICK-UP	1
45	CXT00424	C042.4X4X45	1
46	CFA00718	WASHER MUDWING A13 Z/P	1
46	CFA00250	WASHER SKM12	1
47	CZF04875	6MM L FUSION 2 SIDETIP BRACKET	1
48	CZF04876	6MM L FUSION 2 SIDETIP BRACKET	1
49	CZH02668	10MM L FUSION SIDE TIP	1
50	CZH03157	10MM L FUSION SIDETI	1
51	CZH03164	10MM L FUSION SIDETIP	1
52	CZH03485	10MM BALER SIDE TIP BRACKET	1
53	CZH03486	10MM BALER SIDE TIP BRACKET	1

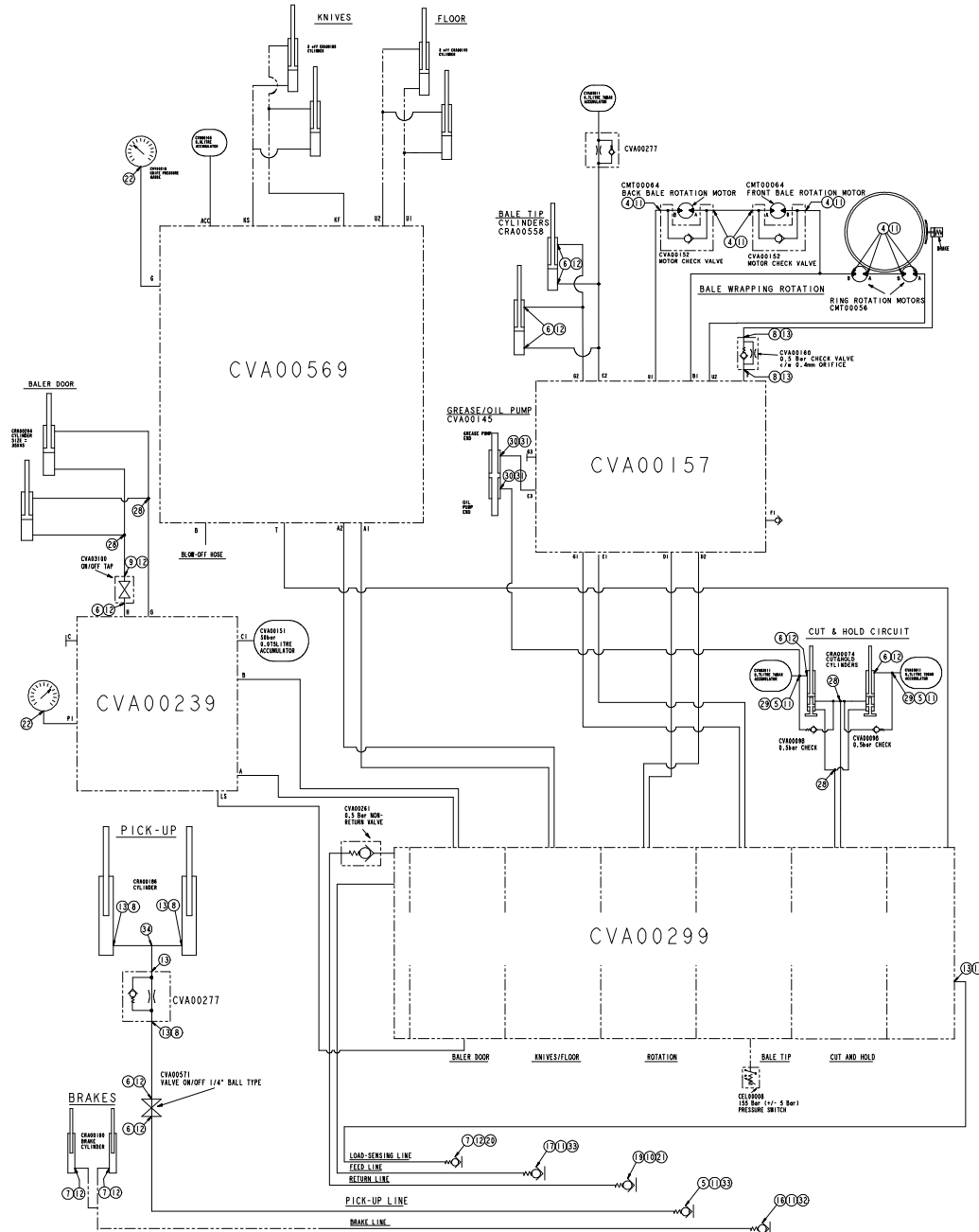
Hydraulic layout hoses [up to serial no. 654555]



No.	Part No	Description	Qty
1	CHY00759	1/4" x 4250MM STR FM - ST FM	1
2	CHY00730	1/4" x1000MM STR FM - ST FM	1
3	CHY00729	1/4" x 900MM 90 FM - 90 FM	2
4	CHY00777	1/4" x 4450MM STR FM - ST FM	1
5	CHY02518	1/4" x 425MM STR FM - 90 FM	1
6	CHY00771	3/4" x 4250 STR FM - STR FM	1
7	CHY00770	5/8" x 4350 STR FM - STR FM	1
8	CHY00758	1/4" x 4900MM STR FM - BANJO	1
9	CHY00755	1/4" x 550MM STR FM - 90 FM	1
10	CHY00762	3/8" x 300MM STR FM - STR FM	2
11	CHY02477	PRESSURE GAUGE HOSE 1200MM	2
12	CHY00767	3/8" x 430MM STR FM - 90 FM	1
13	CHY00763	3/8" x 300MM STR FM - 90 FM	1
14	CHY00773	3/8" x 4120MM STR FM - 90 FM	1
15	CHY00748	3/8" x 1020MM STR FM - STR FM	1
16	CHY00749	3/8" x 800MM STR FM - 90 FM	1
17	CHY00772	3/8" x 4070MM STR FM - STR FM	1
18	CHY00760	1/4" x 405MM STR FM - 90 FM	1
19	CHY00761	1/4" x 410MM STR FM - 90 FM	1
20	CHY00753	1/4" x 960MM STR FM - ST FM	1
21	CHY00754	3/8" x 750MM STR FM - 15MM	1
22	CHY00750	1/4" x 1000MM STR FM - 90 FM	4
23	CHY00768	1/2" x 640MM STR FM - 90 FM	1
24	CHY00769	1/2" x 680MM STR FM - 90 FM	1
25	CHY00764	3/8" x 655MM STR FM - 90 FM	1
26	CHY00765	3/8" x 595MM STR FM - 90 FM	1
27	CHY00766	3/8" x 200MM STR FM - STR FM	2
28	CHY00756	1/4" x 1950MM 3/8"90 FM - M12 90 FM	1
29	CHY00757	1/4" x 550MM STR FM - M12 90 FM	1
30	CHY00745	3/8" x 750MM STR FM - 90 FM	1
31	CHY00746	3/8" x 820MM STR FM - STR FM	1
32	CHY00774	3/8" x 4600MM STR FM - 90 FM	1
33	CHY00775	3/8" x 4720MM STR FM - STR FM	1
34	CHY00741	3/8" x 190MM 90 FM - 1/2"90 FM	2
35	CHY00742	3/8" x 350MM STR FM - 90 FM	2
36	CHY00743	3/8" x 225MM STR FM - STR FM	1
37	CHY00744	3/8" x 175MM STR FM - STR FM	1
38	CHY02523	1/4" x 875MM STR FM - BANJO	2
39	CHY02522	1/4" x 760MM STR FM - BANJO	2
40	CHY02521	1/4" x 535MM STR FM - BANJO	1
41	CHY02195	1/4" x 570MM STR FM - BANJO	1
42	CHY02519	1/4" x 500MM STR FM - 90 FM	2
43	CHY02520	1/4" x 520MM STR FM - 90 FM	1
44	CHY00723	1/4" x 290MM STR FM - ST FM	1
45	CHY00724	1/4" x 150MM STR FM - ST FM	1
46	CHY00726	1/4" x 1315MM STR FM - 90 FM	1
47	CHY00727	1/4" x 375MM STR FM - ST FM	1
48	CHY00725	1/4" x 175MM STR FM - 90 FM	1

No.	Part No	Description	Qty
49	CHY00734	1/4" x 1000MM STR FM - 90 FM	1
50	CHY00735	1/4" x 1055MM STR FM - 90 FM	1
51	CHY00733	1/4" x 500MM STR FM - 90 FM	1
52	CHY00732	1/4" x 550MM STR FM - 90 FM	1
53	CHY00731	1/4" x 465MM STR FM - ST FM	2
54	CHY00728	1/4" x 345MM STR FM - ST FM	1
55	CHY00736	1/2" x 375MM STR FM - STR FM	1
56	CHY00737	1/2" x 550MM STR FM - STR FM	1
57	CHY00738	1/2" x 400MM STR FM - STR FM	1
58	CHY00739	1/2" x 440MM STR FM - STR FM	4
59	CHY00740	1/2" x 1250MM STR FM - 45 FM	2
-	CHY02218	HOSE PROTECTION BACK MOTOR 80 X 500MM	1

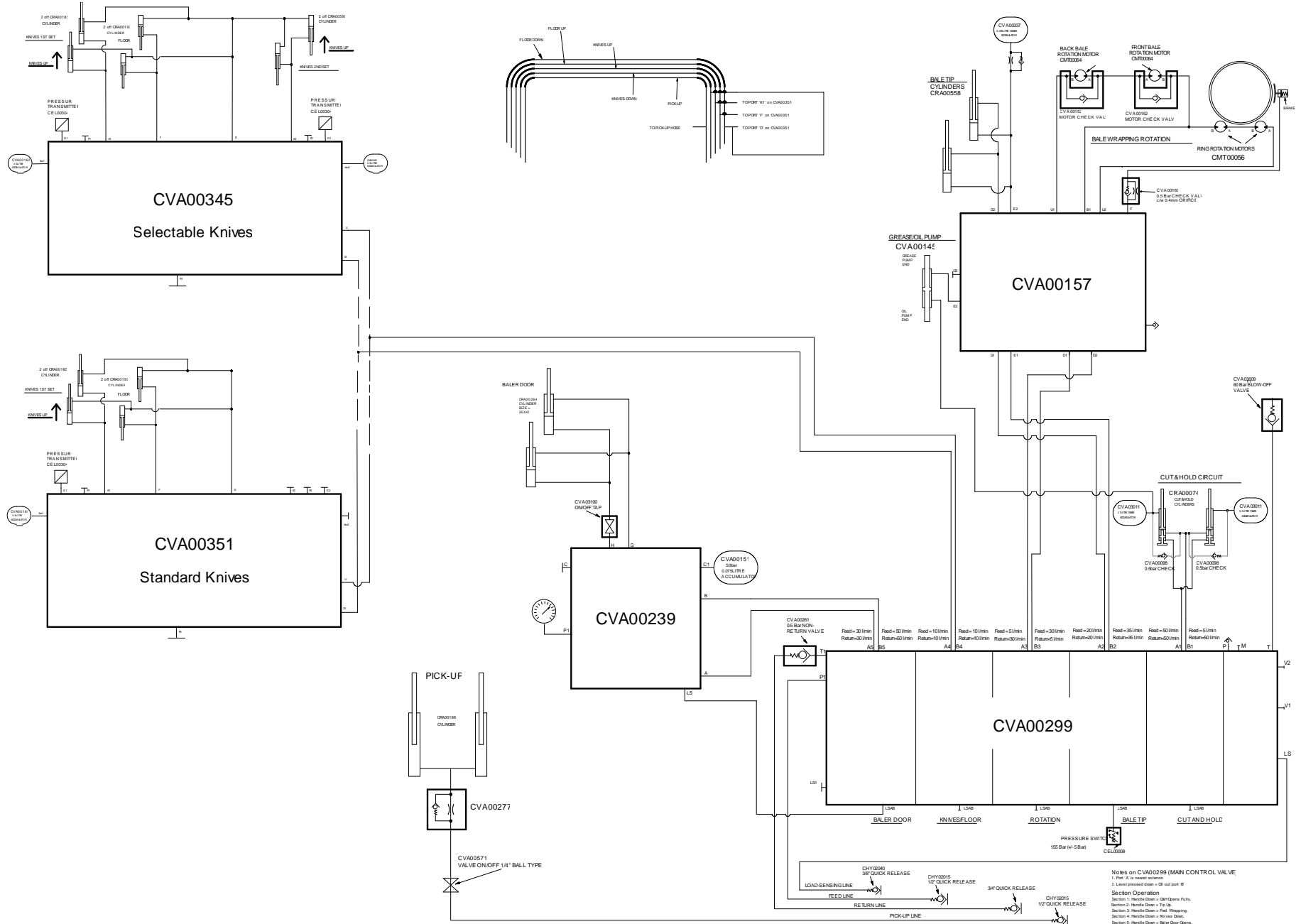
Hydraulic layout fittings [up to serial no. 654555]



No.	Part No	Description	Qty
1	CHY02263	3/4" - 3/8" ADAPTOR	1
2	CHY02262	3/4" - 3/4" ADAPTOR	1
3	CHY00057	3/4" - 5/8" ADAPTOR	1
4	CHY02013	1/2" - 1/2" ADAPTOR	8
5	CHY02008	1/2" - 3/8" ADAPTOR	1
6	CHY02002	3/8" - 3/8" ADAPTOR	15
7	CHY02032	3/8" - 1/4" ADAPTOR	1
8	CHY02010	1/4" - 1/4" ADAPTOR	1
9	CHY00109	3/8" M - FM ADAPTOR	1
10	CHY02012	3/4" DOWTY SEALS	1
11	CHY00053	1/2" DOWTY SEALS	11
12	CHY00020	3/8" DOWTY SEALS	18
13	CHY00015	1/4" DOWTY SEALS	7
14	CHY00056	1/4" PRESSURE TEST PORTS	1
15	CHY02003	3/8" MALE BLANKING CAPS	6
16	CHY02085	1/2" - 1/4" ADAPTOR	1
17	CHY02042	5/8" - 1/2" ADAPTOR	1
18	CHY02079	3/4" - 1/2" ADAPTOR	1
19	CHY02262	3/4" - 3/4" ADAPTOR	1
20	CHY02314	3/8" QUICK RELEASE MALE	1
21	CHY02315	3/4" QUICK RELEASE MALE	1
22	CHY02103	1/4" M - FM ADAPTOR	1
23	CVA00261	3/4" M/F 0.5m CHECK VALVE	1
24	CVA00160	1/4" 0.4 mm ORIFICE CHECK VALVE	1
25	CVA03102	1/4" NON-RETURN VALVE	1
26	CVA00380	RELIEF/CHECK VALVE C&H FUSION	2
	<i>REPLACES CVA00098</i>		
27	CVA03100	VALVE ON/OFF 3/8" BALL TYPE	2
28	CHY00014	3/8" T-PIECE M/M/M	1
29	CHY02014	3/8" T-PIECE M/F/M	2
30	CHY00198	1/8"-12MM ADAPTOR M/M	2
31	CHY00195	1/8" DOWTY SEALS	2
32	CHY02451	BRAKE QUICK RELEASE FEMALE	1
33	CHY02015	1/2" QUICK RELEASE MALE	2
34	CHY02475	T PIECE 1/4" M-M-M	2

No.	Part No	Description	Qty
-----	---------	-------------	-----

Hydraulic layout Fusion [from Serial No 654556] (703)



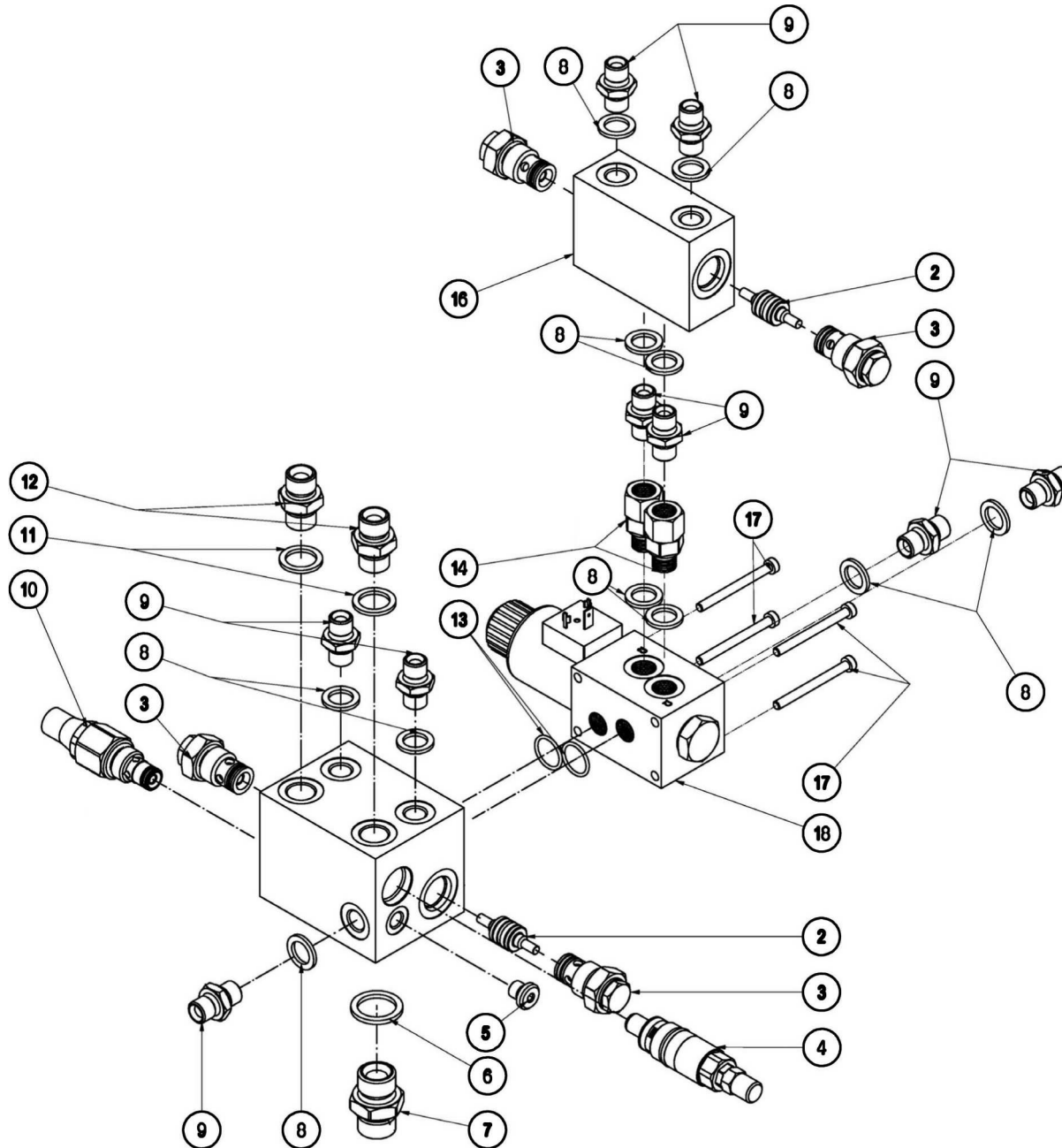
No.	Part No	Description	Qty
2	CEL00304	PRESSURE TRANSMITTER 0-250BAR	1
3	CHY02015	QR 1/2" MALE SHIELDED POPPET	2
4	CHY02040	QR 3/8" MALE	1
5	CHY02315	3/4" MALE QUICK RELEASE	1
6	CMT00056	MOTOR 80CC WHEEL TAPER SHAFT	2
<i>USE SEAL KIT CSE00110 FOR THIS MOTOR</i>			
7	CMT00064	MOTOR 625CC SIDE PORT 32SHAFT	2
<i>USE SEAL KIT CSE00110 FOR THIS MOTOR</i>			
8	CRA00074	RAM CUT&HOLD 25X18 998/FUSION	2
9	CRA00185	RAM KNIFE ACTUATION BW	2
9	CRA00713	RAM KNIFE CHOPPING ADJ END	2
<i>ALTERNATIVE OPTION (TO CRA00185) WHICH ALLOWS ADJUSTMENT TO SET KNIFE CUTTING HEIGHT</i>			
10	CRA00186	RAM PICKUP BALER	2
11	CRA00193	RAM CHOPPER FLOOR 20X40 BW	2
12	CRA00264	RAM 45X35X743 TOP DOOR FUSION	2
13	CRA00558	RAM 50X30 ROLLER CRADLE FUSION	2
14	CRA00637	RAM 45X20 SELECT KNIFE	2
<i>SELECTABLE KNIVES OPTION ONLY</i>			
15	CVA00380	RELIEF/CHECK VALVE C&H FUSION	2
<i>REPLACES CVA00098</i>			
16	CVA00151	ACCUMULATOR 0.075 L 50 BAR	1
17	CVA00157	VALVE ASY ROTATION & TIP BALER	1
18	CVA00165	ACCUMULATOR 0.5 LITRE 25 BAR	1
19	CVA00239	VALVE ASY BALER DOOR 2004+ MOD	1
20	CVA00261	VALVE CHECK 3/4 0.5 BAR M/F	1
21	CVA00277	VALVE CHECK 1.5 ORIFICE 1/4"	1
22	CVA00299	VALVE CTL 5BANK FUSION2 DPC130	1
23	CVA00337	ACCUMULATOR 0.075L 150 BAR	1
24	CVA00345	VALVE SEL KNIFE OPTION CTRL	1
<i>SELECTABLE KNIVES OPTION ONLY</i>			
25	CVA00351	VALVE KNIFE/FLOOR CTRL FUSION2	1
26	CVA00571	VALVE ON/OFF DN 06 BKH-G 1/4"	1
27	CVA03009	VALVE DUMP 60BAR	1
28	CVA03011	ACCUMULATOR 0.7 LITRE 70 BAR	2
29	CVA03100	VALVE ON/OFF 3/8" BALL TYPE	1

No.	Part No	Description	Qty
-----	---------	-------------	-----

No.	Part No	Description	Qty
0	CVA00299	VALVE CTL 5BANK FUSION2 DPC130	1
1	CSE00120	SEAL O-RING LEVER BOX DPC130	5
2	CVA00114	SPOOL 10L HS2000 FUSION2 F560	1
3	CVA00120	SPOOL BALE LIFT DPC130 998	1
4	CVA00122	SOLENOID DPC130	5
5	CVA00138	PLUG OPEN/CLOSED DSK DPC130	1
6	CVA00176	PLUG BSP 1/4"	3
7	CVA00177	FLOW LIMITER DPC130	5
8	CVA00179	VALVE SECTION DPC130 C10	5
9	CVA00182	INLET SECTION	1
10	CVA00183	TAP M14 X 1.5	1
11	CVA00185	INLET COMPENSATION VALVE	1
12	CVA00186	SECTION COMPENSATOR DPC130	5
13	CVA00187	SEAL KIT DPC130 "O" RINGS	6
14	CVA00191	VALVE DPC130 (180-350BAR)	1
15	CVA00192	FILTER LOAD SENSING DPC130	1
16	CVA00193	VALVE PRES REDUCING DPC130	1
17	CVA00194	O-RING SEAL 5 X 1.2MM PARKER	5
18	CVA00195	O-RING SEAL 21.95MM X 1.78MM	5
19	CVA00196	CONTROL MODULE DPC130	5
20	CVA00197	SOC CAP M5 X 55MM	10
21	CVA00198	WASHER ELASTIC M5	10
22	CVA00199	O-RING SEAL 11.11MM X 1.78MM	10
23	CVA00200	PRESSURE REDUCER DPC130	10
24	CVA00201	SOC CAP M6 X 55MM	20
25	CVA00203	JOINT DPC130	1
26	CVA00204	OPEN BUSHING DPC130	10
27	CVA00205	SPRING DPC130	5
28	CVA00206	RING 11.2 X 23 X 3MM	5
29	CVA00207	PLUG DPC130	1
30	CVA00254	SPOOL CUT & HOLD FUSION	1
31	CVA00255	TIE ROD KIT VALVE CHEST FUSION	1
32	CVA00257	SPOOL CRADLE TIP FUSION	1
33	CVA00448	SPOOL FUSION ROTATION GROOVED	1
		<i>REPLACES CVA00319</i>	
34	CVA06011	SENSING LINE SHUTTLE ALL DPC	5
34	CSE00138	SEAL KIT DPC130 SHUTTLE VALVE	1
		<i>SEAL KIT FOR SHUTTLE VALVE CVA06011</i>	
35	CVA10024	CARTRIDGE	1
36	CVA10025	VALVE SECTION	1
37	CVA00103	LEVER PIVOT BOX	5
38	CVA10027	SOLENOID ASSY	5
40	CHY02008	ADAPTOR 1/2" M 3/8" M	8
		<i>PORTS A1, A2, A4, A5, B1, B2, B4 & B5</i>	
40a	CHY00053	WASHER DOWTY 1/2"	10
		<i>PORTS A1 TO A5 & B1 TO B5</i>	
41	CHY02013	ADAPTOR 1/2" BSP M/M	2
		<i>PORTS A3 & B3</i>	
42	CHY02263	ADAPTOR 3/8"M / 3/4"M	2
		<i>PORTS P1 & T1</i>	

No.	Part No	Description	Qty
42a	CHY02012	WASHER DOWTY 3/4"	2
		<i>PORTS P1 & T1</i>	

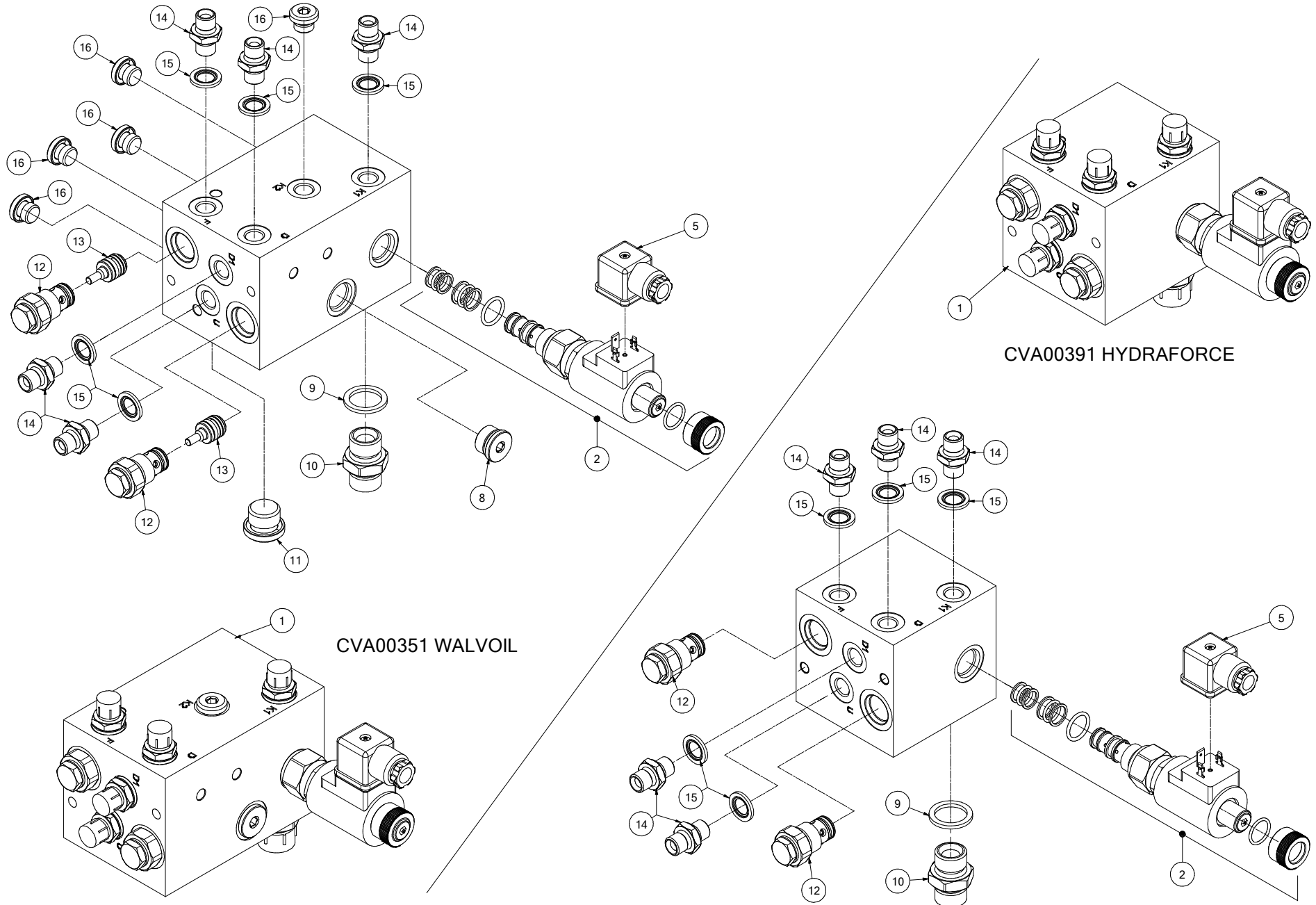
Hydraulic valve knives & floor [up to serial no. 654555]



No.	Part No	Description	Qty
0	CVA00569	VALVE KNIFE/FLOOR ASSY	1
2	CVA10015	HYD PISTON	2
3	CVA00243	CHECK VALVE CTE 30BAR	4
4	CVA00552	RELIEF VALVE ASSY 5-80BAR	1
5	CVA00553	BLANKING CAP 1/8" (OLEOSTAR)	1
6	CHY00053	WASHER DOWTY 1/2"	1
7	CHY02013	ADAPTOR 1/2" BSP M/M	1
8	CHY00015	WASHER DOWTY 1/4"	11
9	CHY02010	ADAPTOR 1/4" BSP M/M	9
10	CVA00282	VALVE RELIEF 45BAR CARTRIDGE	1
11	CHY00020	WASHER DOWTY 3/8"	2
12	CHY02002	ADAPTOR 3/8" BSP M-M	2
13	CVA00322	O-RING 17.17X1.78 90SH	2
14	CHY02553	1/4" M - FM ADAPTOR	2
16	CVA10016	VALVE BLOCK	1
17	CFA00104	M5X55 SOCKET CAP	4
18	CVA00318	VALVE DIVERTER 1/4" 6WAY DFE080	1

No.	Part No	Description	Qty
-----	---------	-------------	-----

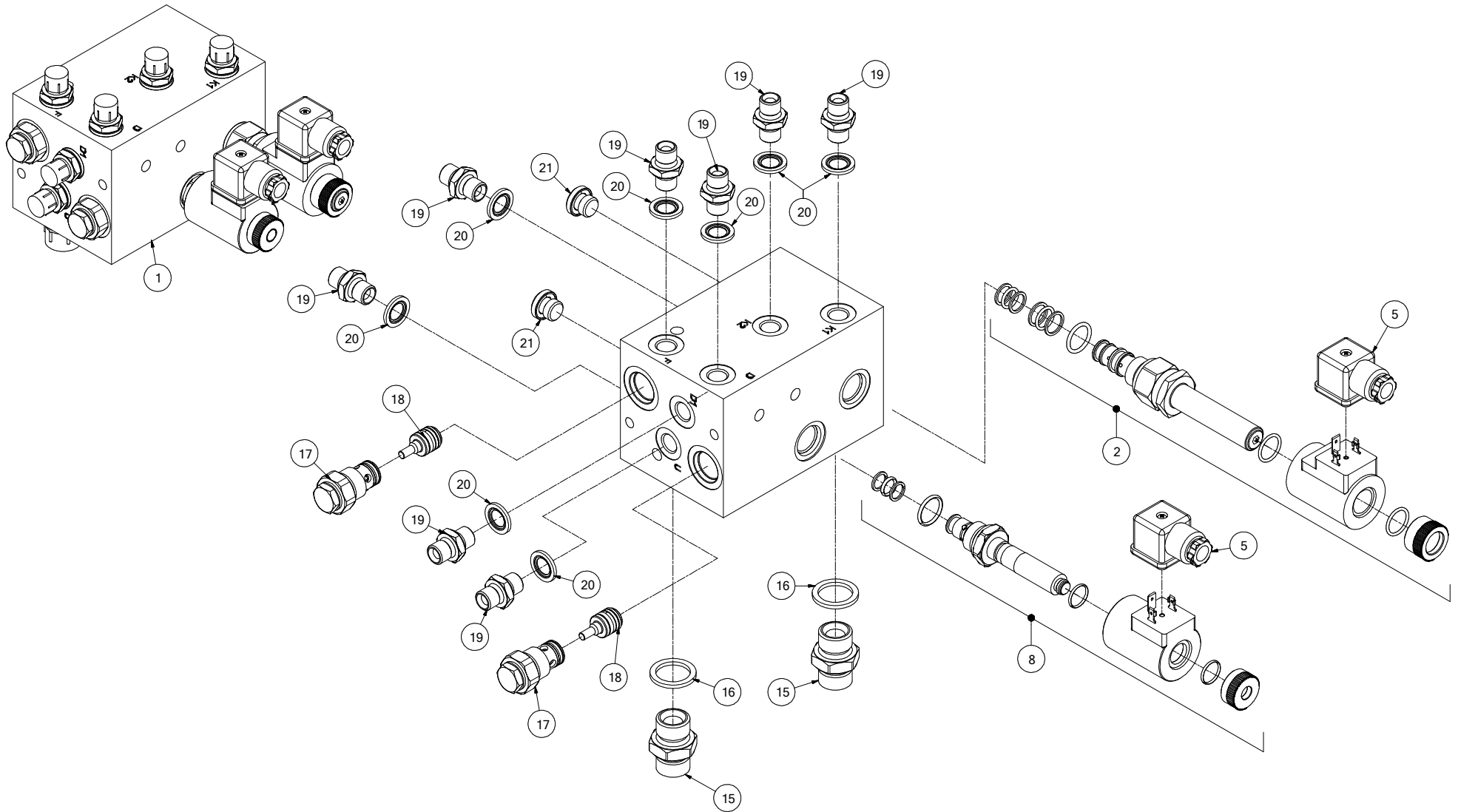
Hyd valve knives & floor [On Fusion from S-No 65456 & F560 from S-No 70595] (702)



No. Part No	Description	Qty
1 CVA00351	VALVE KNIFE/FLOOR CTRL FUSION2	1
<i>WALVOIL - NO LONGER AVAILABLE AS COMPLETE VALVE - REPLACED BY CVA00391</i>		
1 CVA00391	VALVE ASSY KNIFE/FLOOR F3 SIN	1
<i>HYDRAFORCE - USED ON FUSION 3 FROM SERIAL No 657543 & USED ON FUSION VARIO FROM SERIAL No 900055</i>		
2 CVA00580	VALVE DBL BLOCK 2-POS 3-WAY NC	1
<i>DOES NOT INCLUDE ITEM 5</i>		
5 CEL00605	SOLENOID CONNECTOR 3-WAY EARTH	1
<i>SOLD SEPARATELY</i>		
8 CVA00557	BLANKING CAP (OLEOSTAR)	1
<i>WALVOIL ONLY</i>		
9 CHY00053	WASHER DOWTY 1/2"	1
10 CHY02013	ADAPTOR 1/2" BSP M/M	1
11 CVA00304	BSP 1/2 PLUG	1
<i>WALVOIL ONLY</i>		
12 CVA00243	CHECK VALVE CARTRIDGE FOR TIP	2
<i>WALVOIL ONLY</i>		
12 CVA00450	PO CHECK HYDRAFORCE 270PSI	2
<i>HYDRAFORCE ONLY</i>		
13 CVA00582	PISTON	2
<i>WALVOIL ONLY</i>		
14 CHY02010	ADAPTOR 1/4" BSP M/M	5
15 CHY00015	WASHER DOWTY 1/4"	5
16 CVA00176	PLUG BSP 1/4 ALLEN HD +SEAL	5
<i>WALVOIL ONLY</i>		

No. Part No	Description	Qty
-------------	-------------	-----

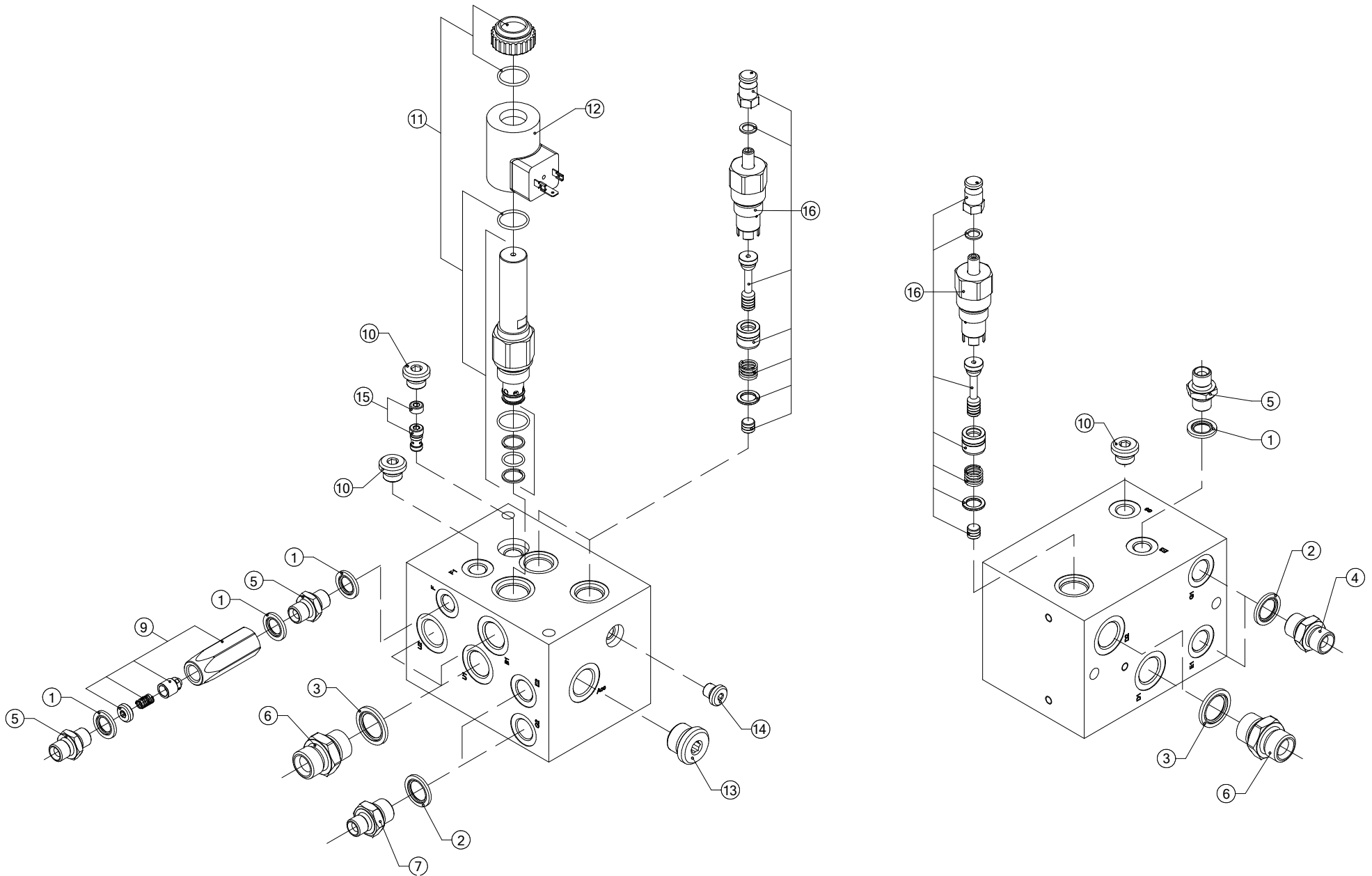
Hydraulic valve knives & floor [Selectable] CVA00345 (701)



No.	Part No	Description	Qty
1	CVA00345	VALVE SELECT KNIFE OPTION CTRL <i>WALVOIL - NO LONGER AVAILABLE AS COMPLETE VALVE - REPLACED BY CVA00393</i>	1
1	CVA00393	VALVE ASSY KNIFE/FLOOR F3 SELECT <i>HYDRAFORCE - USED ON FUSION 3 FROM SERIAL No 663181 & FUSION VARIO FROM SERIAL No 900398</i>	1
2	CVA00580	VALVE DBL BLOCK 2-POS 3-WAY NC <i>DOES NOT INCLUDE ITEM 5</i>	1
5	CEL00605	SOLENOID CONNECTOR 3-WAY EARTH <i>SOLD SEPARATELY</i>	2
8	CVA00338	VALVE CTE DOUBLE CHECK NC <i>DOES NOT INCLUDE ITEM 5</i>	1
15	CHY02013	ADAPTOR 1/2" BSP M/M	2
16	CHY00053	WASHER DOWTY 1/2"	2
17	CVA00243	CHECK VALVE CARTRIDGE FOR TIP <i>WALVOIL ONLY</i>	2
17	CVA00450	PO CHECK HYDRAFORCE 270PSI <i>HYDRAFORCE ONLY ON FUSION 3 FROM SERIAL No 663181 & FUSION VARIO FROM SERIAL No 900398</i>	2
18	CVA00582	PISTON <i>WALVOIL ONLY</i>	2
19	CHY02010	ADAPTOR 1/4" BSP M/M	8
20	CHY00015	WASHER DOWTY 1/4"	8
21	CVA00176	PLUG BSP 1/4 ALLEN HD +SEAL <i>REPLACES CHY02554</i>	2

No.	Part No	Description	Qty
-----	---------	-------------	-----

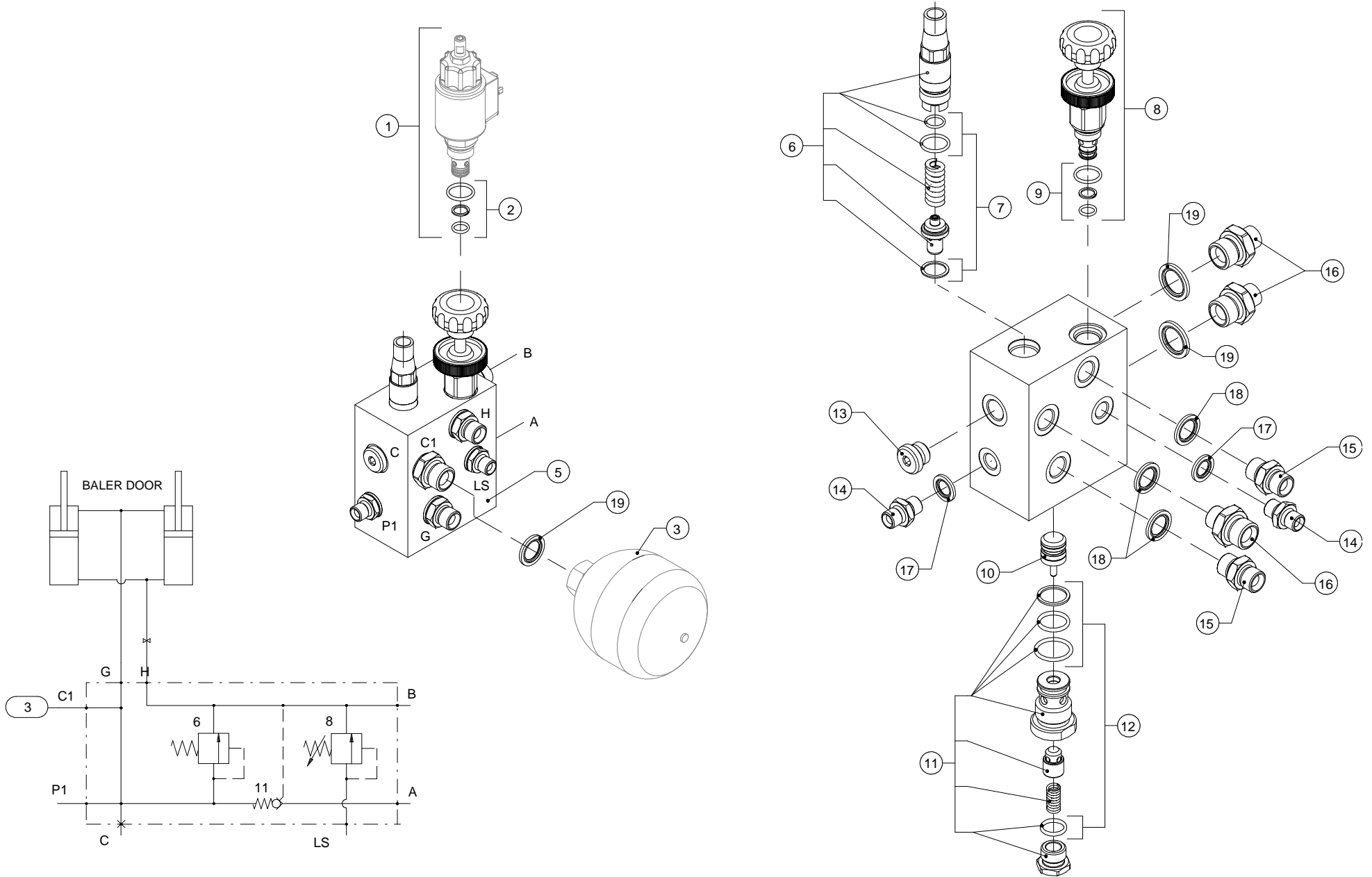
Hydraulic valve rotation & tip CVA00157 [On Fusion 3 Plus up to Serial No 659743] (543)



No.	Part No	Description	Qty
0	CVA00157	VALVE ASY ROTATION & TIP FUSION	1
<i>INCLUDES ITEMS 1 THROUGH 16</i>			
1	CHY00015	WASHER DOWTY 1/4"	4
2	CHY00020	WASHER DOWTY 3/8"	4
3	CHY00053	WASHER DOWTY 1/2"	5
4	CHY02002	ADAPTOR 3/8" BSP M/M	2
5	CHY02010	ADAPTOR 1/4" BSP M/M	3
6	CHY02013	ADAPTOR 1/2" BSP M/M	5
7	CHY02032	ADAPTOR 1/4 M 3/8 M	2
9	CVA00160	VALVE CHECK 1/4" 0.4MM ORIFICE	1
10	CVA00176	PLUG BSP 1/4 ALLEN HD +SEAL	3
11	CVA00252	VALVE CTE ON/OFF NC CVA0157&94	1
12	CVA00253	COIL FOR CTE VALVE ON CVA00157	1
13	CVA00304	BSP 1/2 PLUG	1
14	CVA00553	BLANKING CAP 1/8" (OLEOSTAR)	1
15	CVA00558	SHUTTLE VALVE ASSY	1
16	CVA00559	OVER CENTRE VALVE ASM-CVA00157	3
<i>UP TO SERIAL No 662872</i>			
16	CVA00668	VALVE OVER CENTRE	3
<i>FROM SERIAL No 662873</i>			

No.	Part No	Description	Qty
-----	---------	-------------	-----

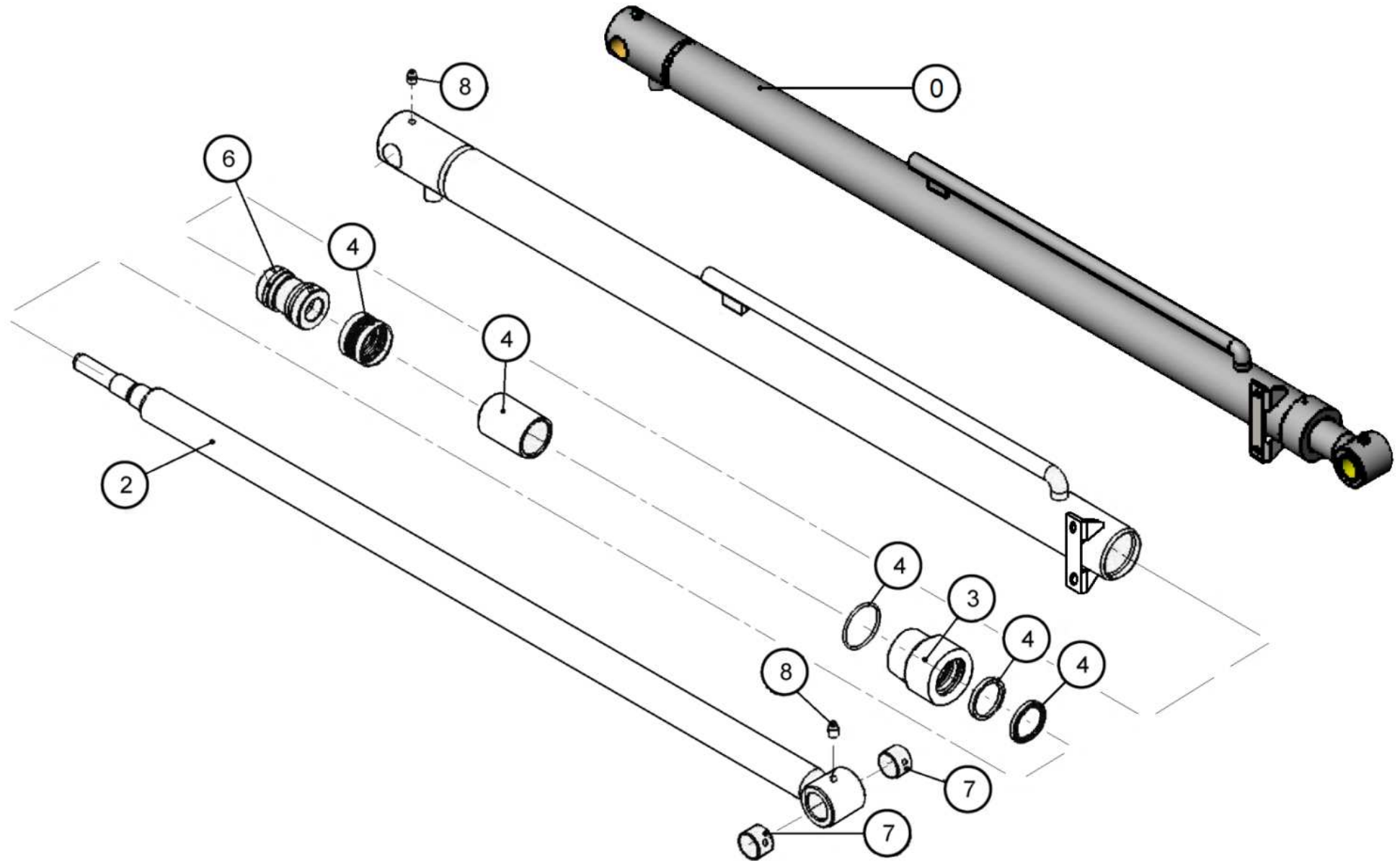
Hydraulic valve chamber door CVA00239 [Used on Fusion 3 Plus up to Serial No 659743] (822)



No.	Part No	Description	Qty
1	CVA00317	VALVE PROP RELIF 175BAR CTE	1
<i>USED ON F560/F5600 ONLY - THIS IS NOT PART OF ITEM 5 & MUST BE ORDERED SEPARATELY</i>			
2	REP00063	REPAIR KIT FOR DOOR VALVE F560/F5600	1
<i>USED ON F560/F5600 ONLY - RESOLVES HYDRAULIC CREEP IN BACK DOOR ON F560/F5600</i>			
3	CVA00151	ACCUMULATOR 0.075 L 50 BAR	1
<i>USED ON F56 SERIES MACHINES ONLY - MUST BE ORDERED SEPARATELY</i>			
3	CVA00379	ACCUMULATOR 0.16L 75 BAR	1
<i>USED ON FUSION MACHINES ONLY - MUST BE ORDERED SEPARATELY</i>			
5	CVA00239	VALVE ASY BALER DOOR 2004+ MODEL	1
<i>INCLUDES ITEMS 6 THROUGH 19 [DOES NOT INCLUDE ITEMS 1 TO 3]</i>			
6	CVA00560	RELIEF VALVE ASSY	1
7	CSE00615	SEAL KIT FIXED RELIEF CVA00560	1
8	CVA00251	VALVE RELIEF CTE FOR CVA00239	1
9	CSE20031	SEAL KIT BALE DENSITY VALVE KNOB	1
<i>REPLACES CSE00616</i>			
10	CVA00562	PISTON	1
11	CVA00269	CHECK VALVE CARTRIDGE	1
12	CSE00618	SEAL KIT CHECK VALVE CVA00269	1
13	CVA00561	BLANKING CAP 3/8" (OLEOSTAR)	1
14	CHY02010	ADAPTOR 1/4" BSP M/M	2
15	CHY02002	ADAPTOR 3/8" BSP M/M	2
16	CHY02008	ADAPTOR 1/2" M 3/8" M	2
17	CHY00015	WASHER DOWTY 1/4"	2
18	CHY00020	WASHER DOWTY 3/8"	3
19	CHY00053	WASHER DOWTY 1/2"	3

No.	Part No	Description	Qty
-----	---------	-------------	-----

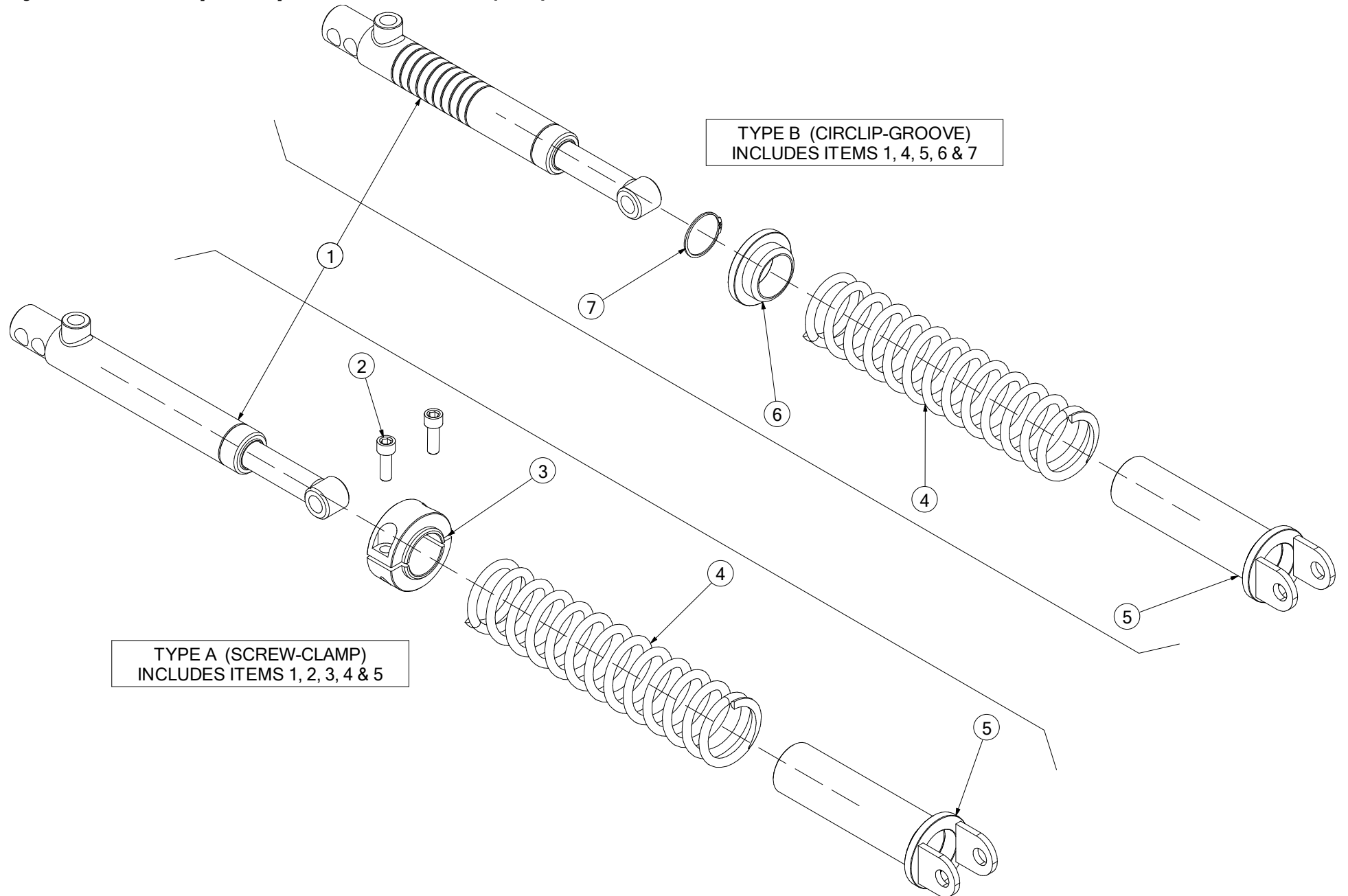
Hydraulic rams chamber door (546)



No.	Part No	Description	Qty
0	CRA00263	HYDRAULIC RAM COMPLETE ASSEMBLY	2
<i>UP TO SERIAL NO. 653028</i>			
0	CRA00264	HYDRAULIC RAM COMPLETE ASSEMBLY	2
<i>FROM SERIAL NO. 653029</i>			
0a	CRA00701	RAM DOOR WITH TRANSDUCER FUS	1
<i>TRANSDUCER RAM (WITH ELEC CONN) USED ON RH SIDE OF NRF (BARREL WRAP) MACHINES ONLY (NOT SHOWN)</i>			
0b	UWP00204	ULTRASONIC SENSOR KIT FUSION 3 PLUS	1
<i>CONVERTS NRF (BARREL WRAP) MACHINES FROM TRANSDUCER (CRA00701) TO ULTRASONIC (INCL SOFTWARE)</i>			
2	N/A	RAM ROD	1
<i>UP TO SERIAL NO. 653028</i>			
2	CRA00008	RAM ROD FOR CRA00264	1
<i>FROM SERIAL NO. 653029</i>			
3	CRA00009	SEAL GLAND	1
4	CSE00151	CUSHIONS & SEAL KITS FOR BOTH RAMS	1
<i>THIS KIT MUST BE USED TO REPAIR BOTH DOOR RAMS.</i>			
6	CRA00013	SEAL GLAND	1
7	CBR00040	BEARING GLACIER PM 2520 DX	2
8	CFA00590	GREASE NIPPLE 1/8" BSP ST	2

No.	Part No	Description	Qty
-----	---------	-------------	-----

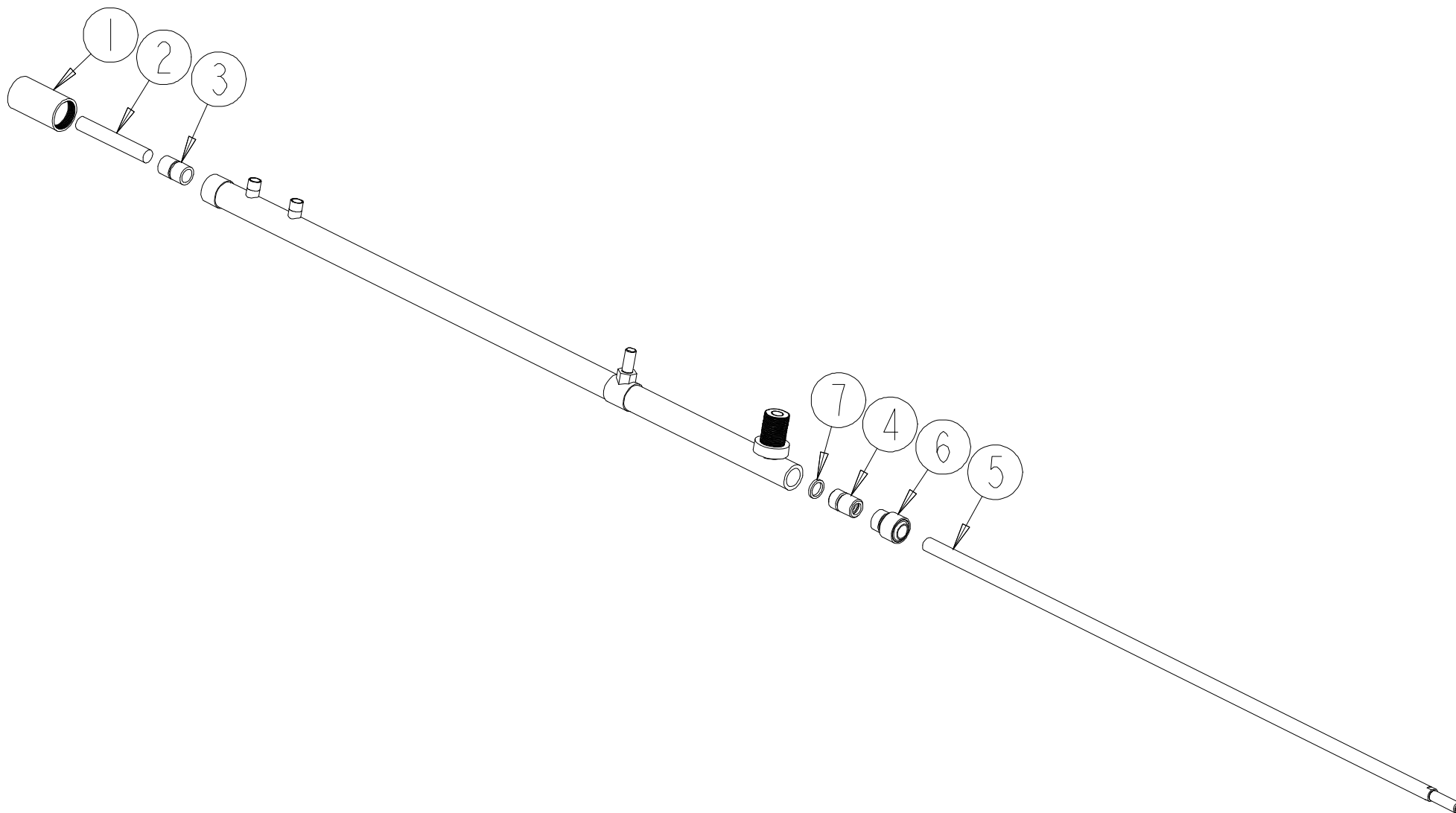
Hydraulic rams pick-up reel CRA00186 (182)



No.	Part No	Description	Qty
1	CRA00186	RAM PICKUP BALER	1
<i>COMPLETE RAM ASSEMBLY (MAY BE TYPE A OR TYPE B) CAN ALSO USE CRA00292 AS A DIRECT REPLACEMENT</i>			
1	CRA00292	RAM PICK UP REEL (CAMLESS)	1
<i>MUST BE USED WITH CAMLESS PICK-UP (CAN ALSO BE USED ON STD PICK-UP INSTEAD OF CRA00186)</i>			
2	CFA00602	SETSCREW M10X30 SOC CAP Z/P	2
<i>RAM TYPE A ONLY</i>			
3	ACH00405	SPRING RETAINER RAM PICKUP	1
<i>RAM TYPE A ONLY</i>			
4	CSG00037	SPRING COMP 8X67X300X14	1
5	ACH00404	SPRING RETAINER PICKUP	1
6	CPT00073	SPRING RETAINER FOR CRA00186	1
<i>RAM TYPE B ONLY</i>			
7	CFA00551	CIRCLIP 40MM EXTERNAL	1
<i>RAM TYPE B ONLY</i>			

No.	Part No	Description	Qty
-----	---------	-------------	-----

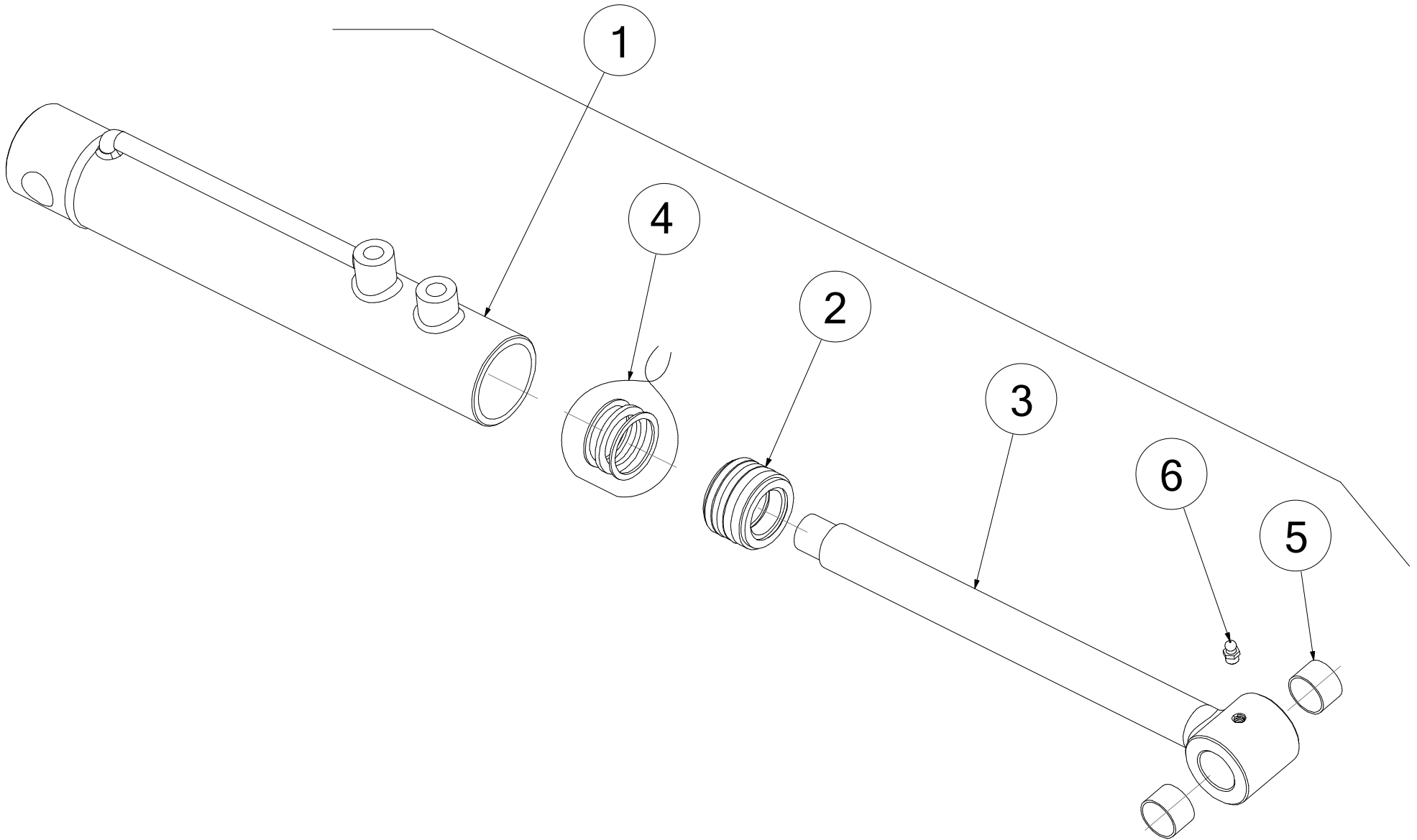
Hydraulic rams cut & hold CRA00074 (549)



No.	Part No	Description	Qty
0	CRA00074	RAM CUT & HOLD COMPLETE	2
1	CRA00106	GLAND FOR CRA00074 BOTTOM	1
2	CRA00104	RAM ROD BOTTOM FOR CRA00074	1
3	CRA00102	RAM PISTON FOR CRA00074 BOTTOM	1
4	CRA00101	RAM PISTON FOR CRA00074 TOP	1
5	CRA00103	RAM ROD TOP FOR CRA00074	1
6	CRA00105	SEAL GLAND TOP FOR CRA00115	1
7	CSE00074	SEAL KIT RAM CUT&HOLD	1

No.	Part No	Description	Qty
-----	---------	-------------	-----

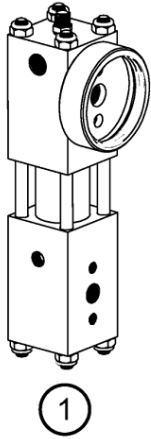
Hydraulic rams bale tip cradle CRA00558 (551)



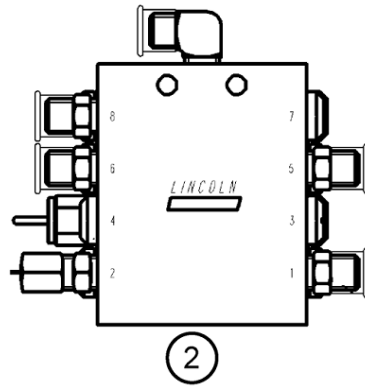
No.	Part No	Description	Qty
1	CRA00558	RAM 50X30X228 ROLLER TIP CRADLE FUSION	1
<i>COMPLETE ASM (INCLUDES ITEMS 2, 3, 4, 5 & 6)</i>			
2	CRA00585	CRADLE RAM CAP FUSION 2	1
3	CRA00586	CRADLE RAM ROD FUSION 2	1
4	CSE00623	SEAL KIT FOR RAM CRA00558	1
<i>INCLUDES INSTRUCTIONS</i>			
5	CBR00040	BEARING GLACIER PM 2520 DX	2
6	CFA00118	GREASE NIPPLE M8X1.25 STRAIGHT	1

No.	Part No	Description	Qty
-----	---------	-------------	-----

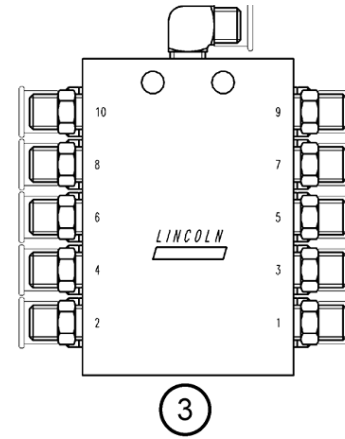
Oil & Grease systems 1 (552)



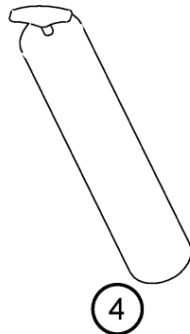
1



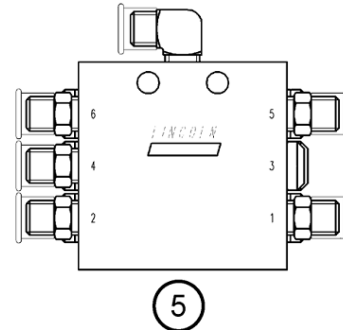
2



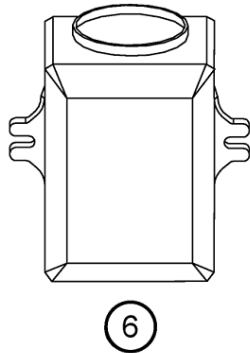
3



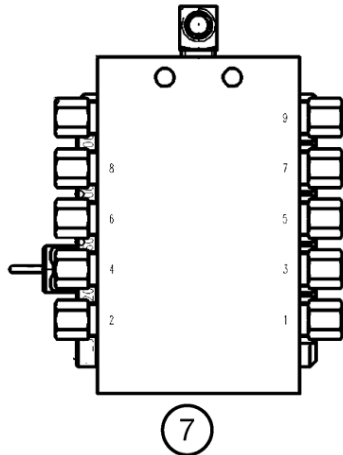
4



5



6



7

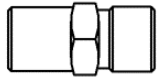


8

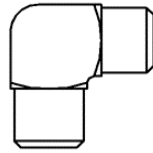
No.	Part No	Description	Qty
1	CVA00384	PUMP OIL/GREASE ALL FUSION <i>ROUND OIL/GREASE PUMP (REPLACES CVA00145 SQUARE OIL/GREASE PUMP SHOWN)</i>	1
2	CVA00167	8-WAY MASTER GREASE BLOCK	1
3	CVA00166	10-WAY GREASE BLOCK	3
4	CVA00184	GREASE CARTRIDGE	1
5	CVA00169	6-WAY GREASE BLOCK	2
6	CHY00212	OIL RESERVOIR	1
7	CVA00323	10-WAY MASTER OIL BLOCK	1
8	CHY01061	OIL WICK KIT FULL BALER RANGE <i>CONTAINS 4 SEPARATE WICKS FOR ANY MCHALE BALER MODEL (REPLACES CHY00609 SINGLE WICK)</i>	1

No.	Part No	Description	Qty
-----	---------	-------------	-----

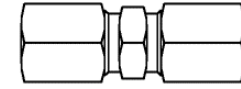
Oil & Grease fittings (553)



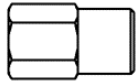
12



13



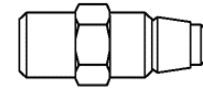
14



15



16



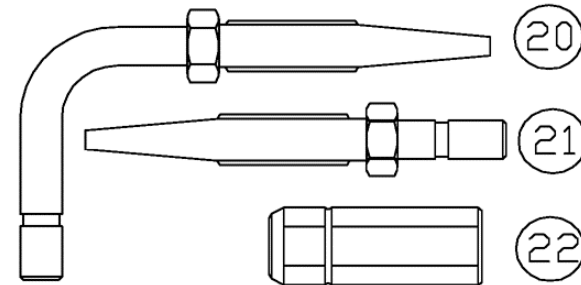
17



18



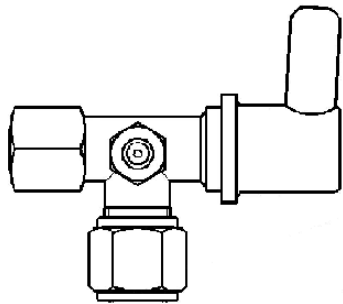
19



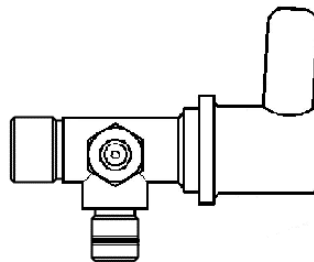
20

21

22



23

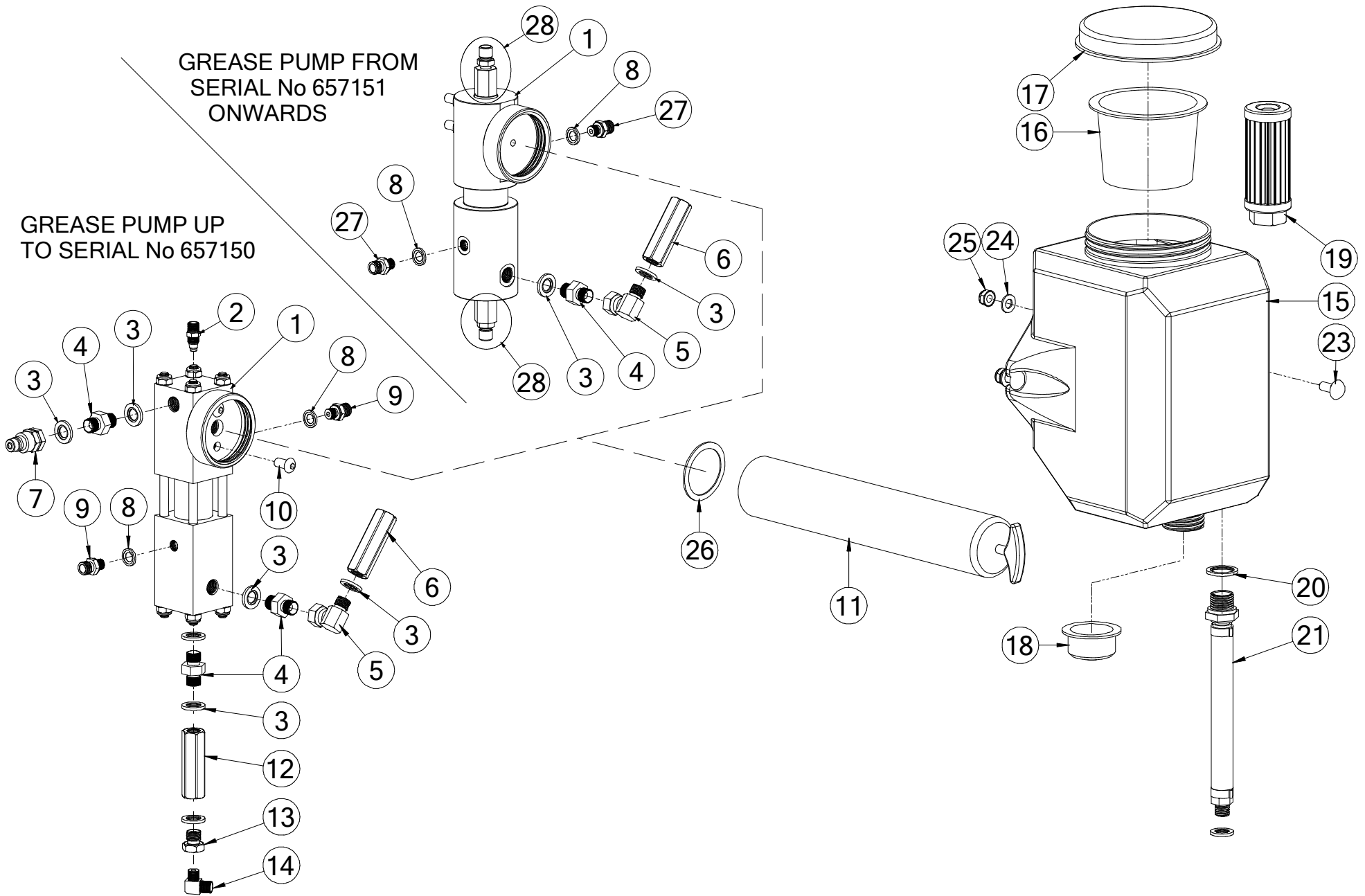


24

No.	Part No	Description	Qty
12	CFA00549	6LL FITTING STRAIGHT	1
13	CFA00543	6LL FITTING ELBOW	1
14	CFA00681	6LL UNION (COMPLETE)	1
15	CFA00682	COMPRESSION NUT	1
16	CFA00544	6LL COUPLING NUT	1
17	CFA00648	CHECK VALVE	1
18	CFA00683	BRASS OLIVE	1
19	CFA00545	STEEL OLIVE	1
20	CHY02323	HOSE STUD ELBOW	1
21	CHY02324	HOSE STUD STRAIGHT	1
22	CHY02325	THREADED SLEEVE	1
23	CHY02612	VALVE SVTE MANUAL GREASE NIPPLE	1
24	CHY02986	VALVE SVTS-350-R1/8 MANUAL GREASE NIPPLE	1

No.	Part No	Description	Qty
-----	---------	-------------	-----

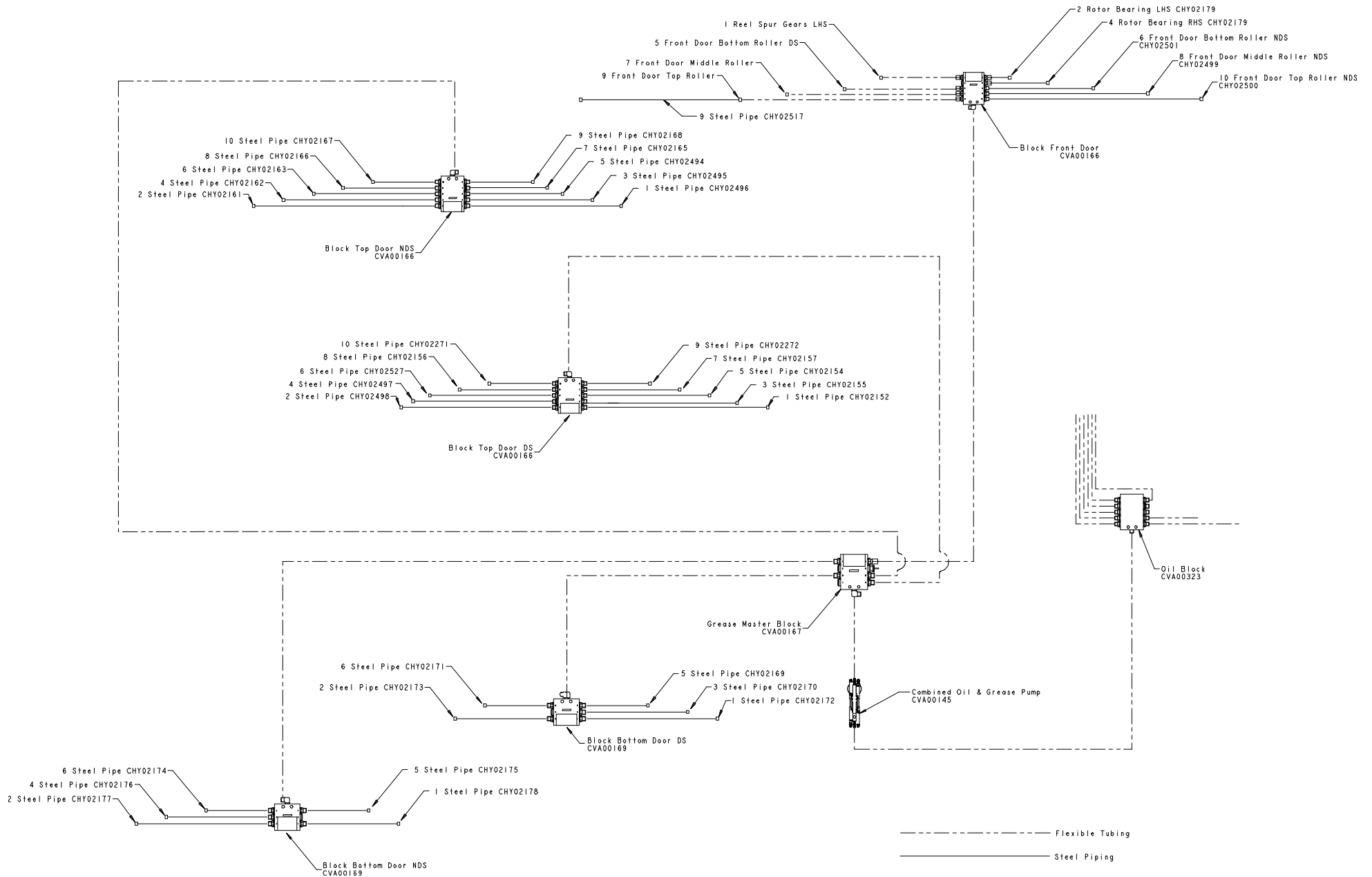
Oil & Grease systems 3 (554)



No.	Part No	Description	Qty
1	CVA00145	COMBINED GREASE AND OIL PUMP <i>SQUARE PUMP USED ON MACHINES UP TO SERIAL No 657150 (REPLACED BY CVA00384)</i>	1
1	CVA00384	PUMP OIL/GREASE ALL FUSION <i>ROUND PUMP USED ON MACHINES FROM SERIAL No 657151 (INCLUDES ITEM 28)</i>	1
2	CVA00172	VALVE CHECK 1/8" - M6LL BODY <i>USED WITH CVA00145 ONLY ON MACHINES UP TO SERIAL No 657150</i>	1
3	CHY00015	WASHER DOWTY 1/4"	7
4	CHY02010	ADAPTOR 1/4" BSP M/M	3
5	CHY02018	ADAPTOR 1/4" M/F 90DEG	1
6	CVA03111	VALVE NON-RET 1/4" 0 BAR	1
7	CHY02328	QUICK RELEASE 1/4" MALE <i>USED WITH CVA00145 ONLY ON MACHINES UP TO SERIAL No 657150</i>	1
8	CHY00195	WASHER DOWTY 1/8"	2
9	CHY00198	1/8" TO 12X1MM M-M BSP/METRIC	2
10	CFA00597	SETSCREW M8X16 BUTTON HEAD Z/P	2
11	CVA00184	GREASE GUN CARTRIDGE HOUSING	1
12	CVA03102	VALVE NON RET 1/4" 0.5 BAR <i>USED WITH CVA00145 ONLY ON MACHINES UP TO SERIAL No 657150</i>	1
13	CMH00941	CAP MACHINED 1/4" - 1/8"	1
14	CFA00543	6MM X 1/8" 90? GREASE FITTING	1
15	CHY00213	OIL RESERVOIR	1
16	CPL00079	FILTER OIL RESERVOIR	1
17	CPL00077	LID OIL RESERVOIR	1
18	CPL00078	CAP OIL RESERVOIR (BOTTOM)	1
19	CHY02330	ST SUCTION STRAINER	1
20	CHY00053	WASHER DOWTY 1/2"	1
21	CHY02329	OIL HOSE RESERVOIR - PUMP	1
23	CFA00506	SETSCREW M8X20 CUPHEAD SQ ZP	2
24	CFA00147	WASHER FLAT 8MM Z/P	4
25	CFA00132	NUT M8 NYLOC	2
26	CSE00613	SEAL GREASE CARTRIDGE	1
27	CHY02529	HYD ADAPTOR M/M 1/4" 1/8"	2
28	CVA00383	CHECK VALVE GREASE PUMP OUTLET <i>USED WITH CVA00384 ONLY ON MACHINES FROM SERIAL No 657151</i>	2

No.	Part No	Description	Qty
-----	---------	-------------	-----

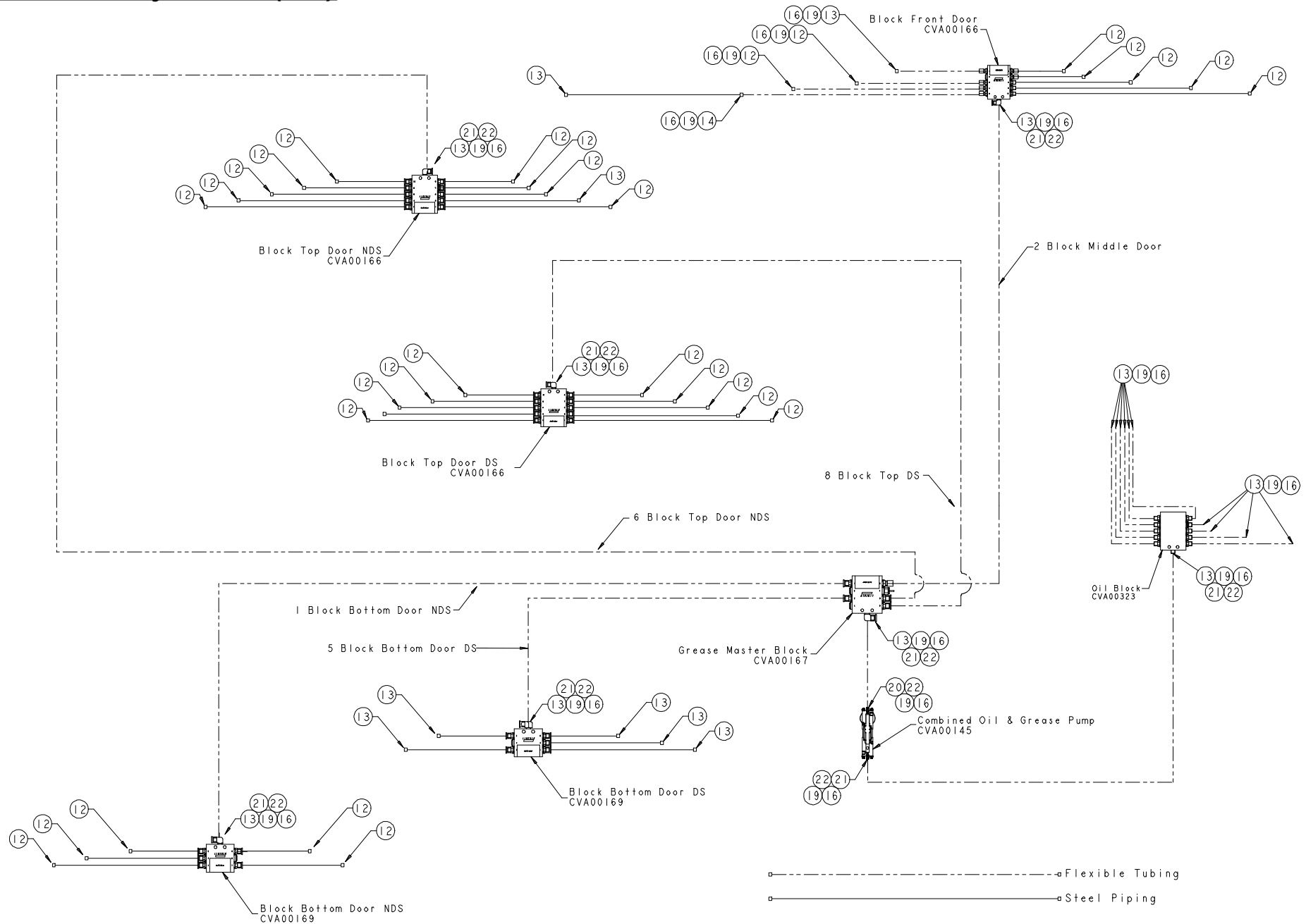
Oil & Grease systems 4 (555)



No. Part No	Description	Qty
— —	CVA00323 OIL BLOCK	0
Ports Part Code	Description	0
1to10 CFA00682	COMPRESSION NUT	10
CFA00683	BRASS OLIVE	10
— —	CVA00167 GREASE MASTER BLOCK	0
Ports Part Code	Description	0
1,2,5, CFA00648	CHECK VALVE	5
CFA00545	STEEL OLIVE	5
CFA00544	COUPLING NUT	5
CHY02324	HOSE STUD STRAIGHT	5
CHY02325	THREADED SLEEVE	5
— —	CVA00166 BLOCK FRONT DOOR	0
Ports Part Code	Description	0
1&2, 4CFA00648	CHECK VALVE	9
CFA00545	STEEL OLIVE	9
CFA00544	COUPLING NUT	9
— —	CVA00166 BLOCK TOP DOOR DS	0
Ports Part Code	Description	0
1to10 CFA00648	CHECK VALVE	10
CFA00545	STEEL OLIVE	10
CFA00544	COUPLING NUT	10
— —	CVA00166 BLOCK TOP DOOR NDS	0
Ports Part Code	Description	0
1 to 1 CFA00648	CHECK VALVE	10
CFA00545	STEEL OLIVE	10
CFA00544	COUPLING NUT	10
— —	CVA00169 BLOCK BOTTOM DOOR DS	0
Ports Part Code	Description	0
1,2,3, CFA00648	CHECK VALVE	5
CFA00545	STEEL OLIVE	5
CFA00544	COUPLING NUT	5
— —	CVA00169 BLOCK BOTTOM DOOR NDS	0
Ports Part Code	Description	0
1,2,4, CFA00648	CHECK VALVE	5
CFA00545	STEEL OLIVE	5
CFA00544	COUPLING NUT	5

No. Part No	Description	Qty
-------------	-------------	-----

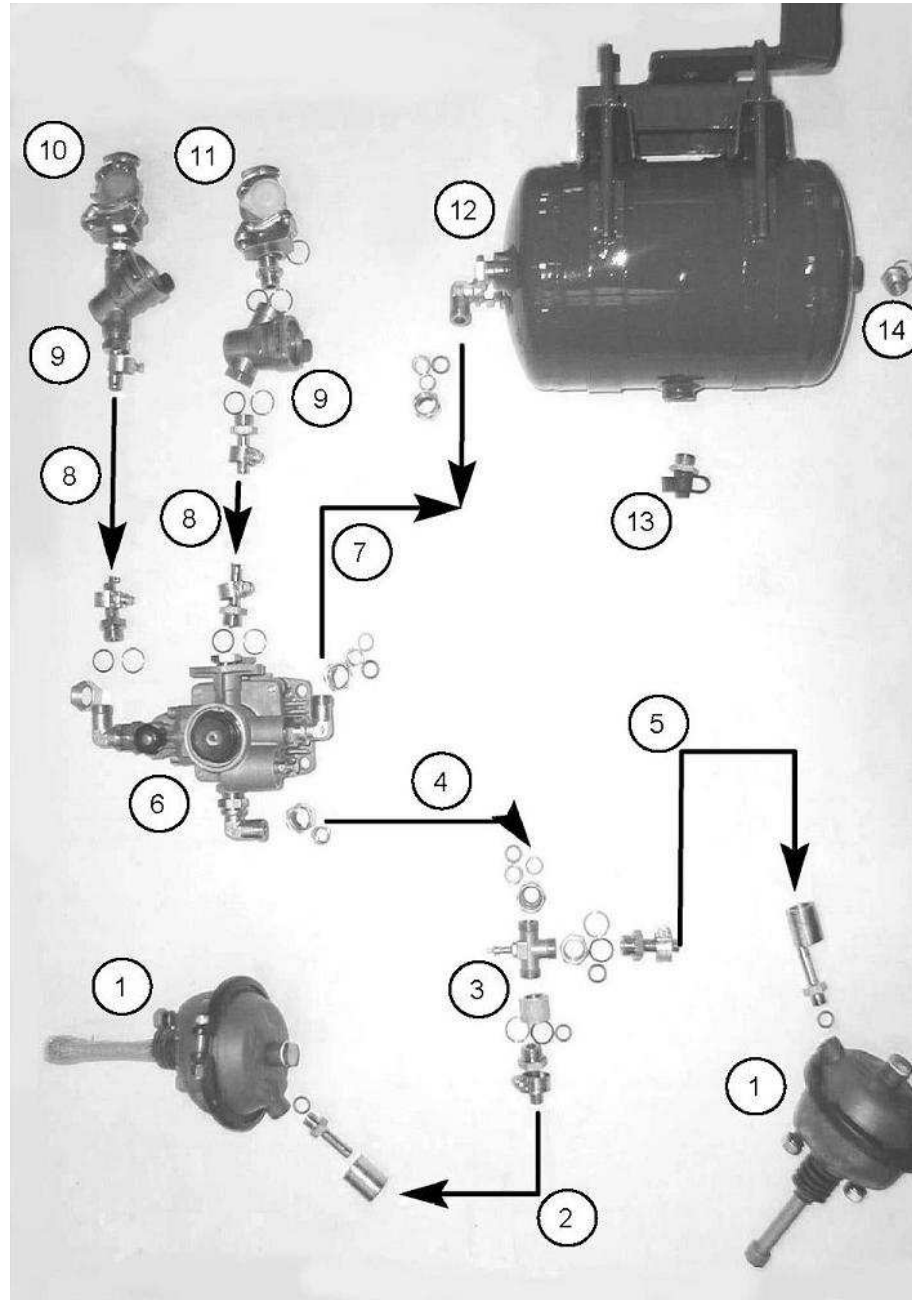
Oil & Grease systems 5 (556)



No.	Part No	Description	Qty
12	CFA00549	6LL FITTING STRAIGHT	0
13	CFA00543	6LL FITTING ELBOW	0
14	CFA00681	6LL UNION (COMPLETE)	0
16	CFA00544	6LL COUPLING NUT	0
19	CFA00545	STEEL OLIVE	0
20	CHY02323	HOSE STUD ELBOW	0
21	CHY02324	HOSE STUD STRAIGHT	0
22	CHY02325	THREADED SLEEVE	0

No.	Part No	Description	Qty
-----	---------	-------------	-----

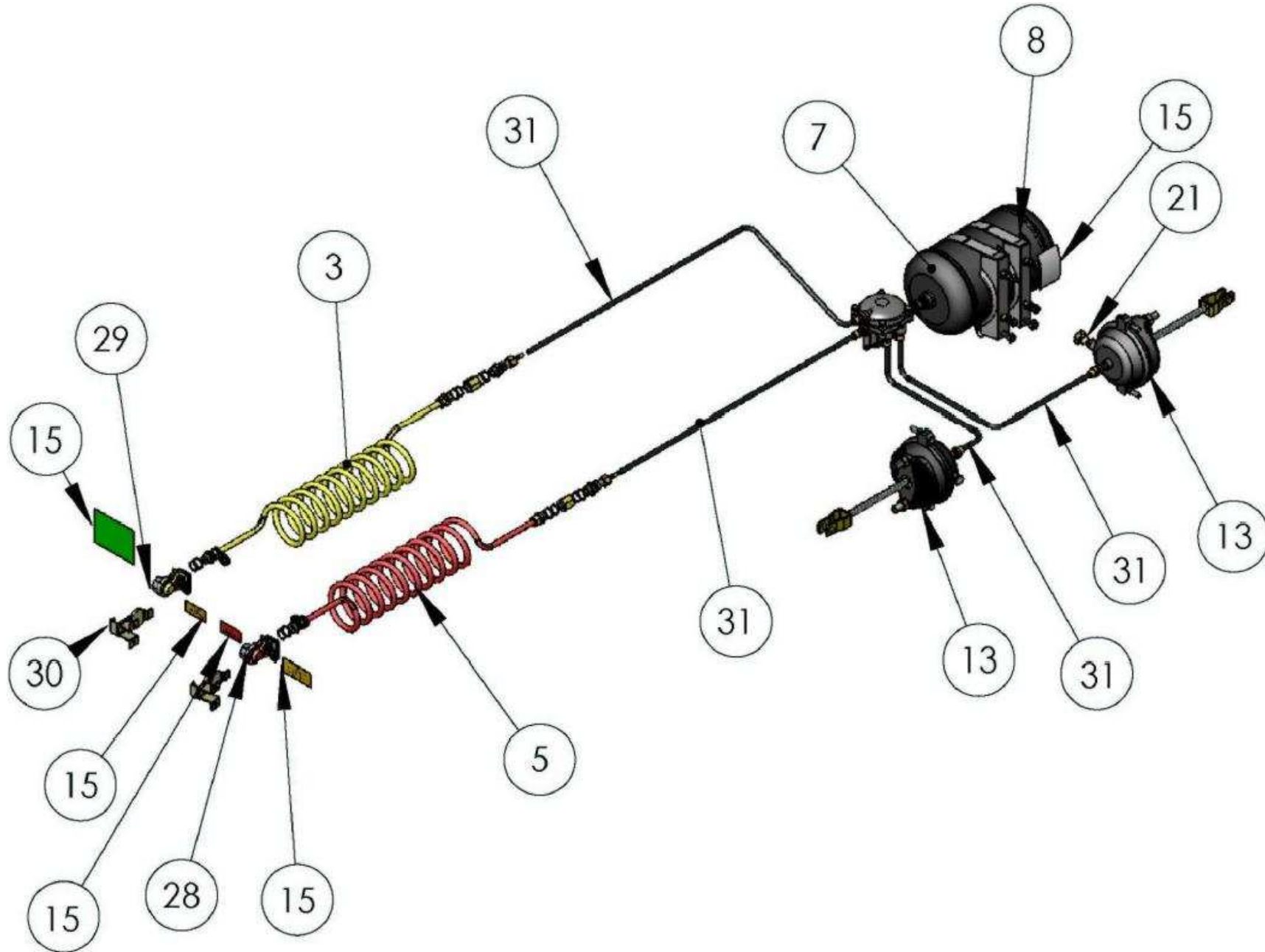
Air brake kit 1 (494)



No.	Part No	Description	Qty
1	CVA00124	AIR BRAKE ACTUATOR	2
2	CHY00125	HOSE A/B 1.85M LONG 25MM X 5.5MM	1
3	CVA00128	TEE PIECE AIR BRAKE VALVE	1
4	CHY00128	HOSE A/B 1M LONG 15MM X 1.5MM	1
5	CHY00126	HOSE A/B 2.9M LONG 25MM X 5.5MM	1
6	CVA00123	AIR BRAKE AIR VALVE	1
7	CHY00127	HOSE A/B 0.29M LONG 15MM X 1.5MM	1
8	CHY00124	HOSE A/B 5.3M LONG 25MM X 5.5MM	2
9	CVA00126	AIR BRAKE QUICK FIT COUPLING	2
10	CVA00127	AIR BRAKE QUICK FIT BRACKET (RED)	1
11	CVA00132	AIR BRAKE QUICK FIT BRACKET (YELLOW)	1
12	CVA00125	AIR BRAKE AIR TANK	1
13	CVA00131	RELIEF VALVE, AIR BRAKE TANK	1
14	CVA00130	DRAIN TAP, AIR BRAKE TANK	1

No.	Part No	Description	Qty
-----	---------	-------------	-----

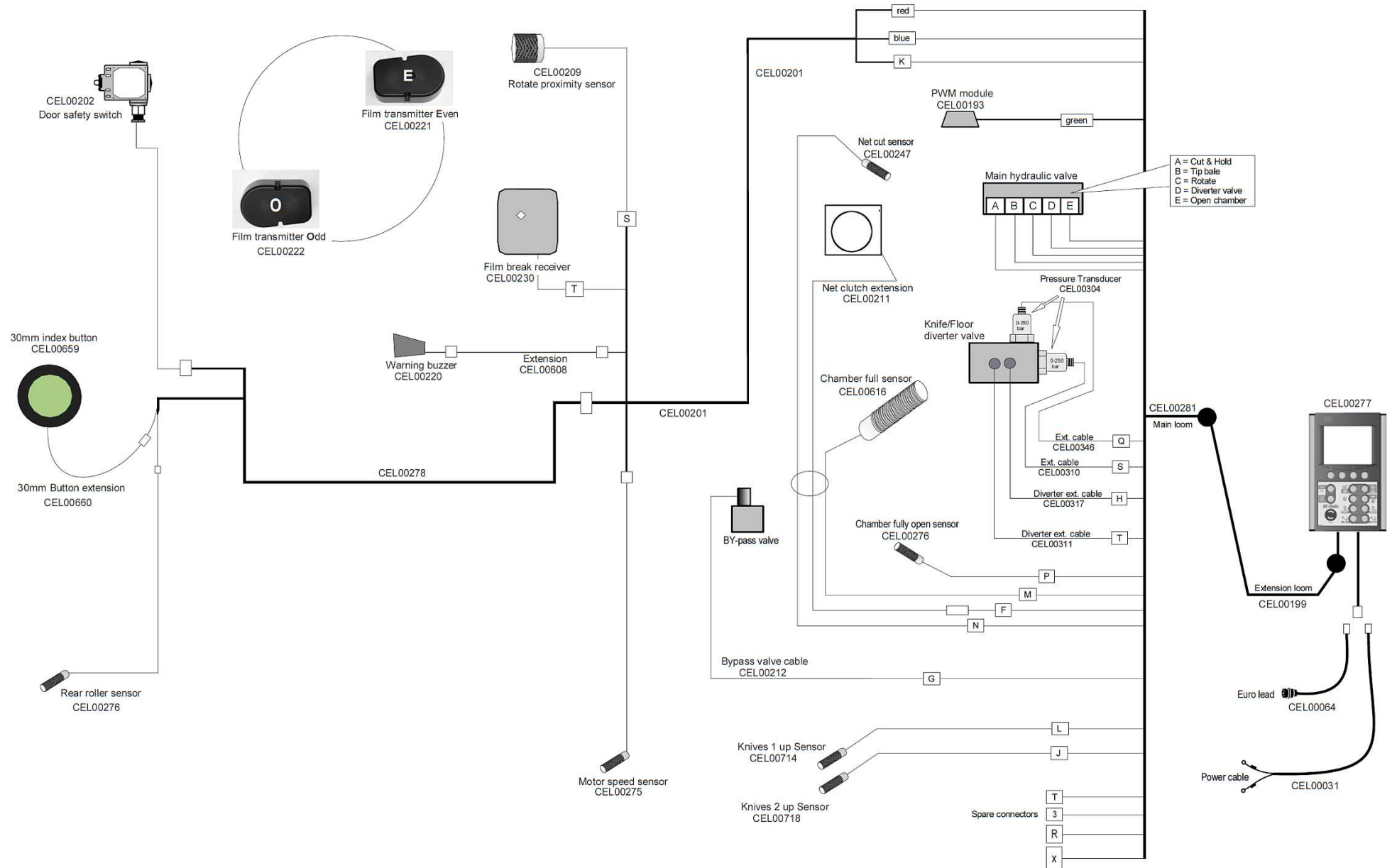
Air brake kit 2 (495)



No.	Part No	Description	Qty
3	CHY02557	SERVICE SUZZIE (YELLOW)	1
5	CHY02558	EMERGENCY SUZZIE (RED)	1
7	CVA00324	10LTR AIR RESERVOIR	1
8	CVA00325	RESERVOIR SADDLE	2
13	CVA00124	AIR BRAKE ACTUATOR	2
15	CST00653	DECAL KIT FOR CHY02556 AIR BRAKE KIT	1
21	CVA00327	AIR BRAKE M16 TEST POINT	1
28	CVA00127	PALM COUPLING (RED) M22	1
29	CVA00126	PALM COUPLING (YELLOW) M22	1
30	CVA00328	COUPLER BRACKET	1
31	CHY02559	10MM O/D NYLON AIR BRAKE HOSE	0

No.	Part No	Description	Qty
-----	---------	-------------	-----

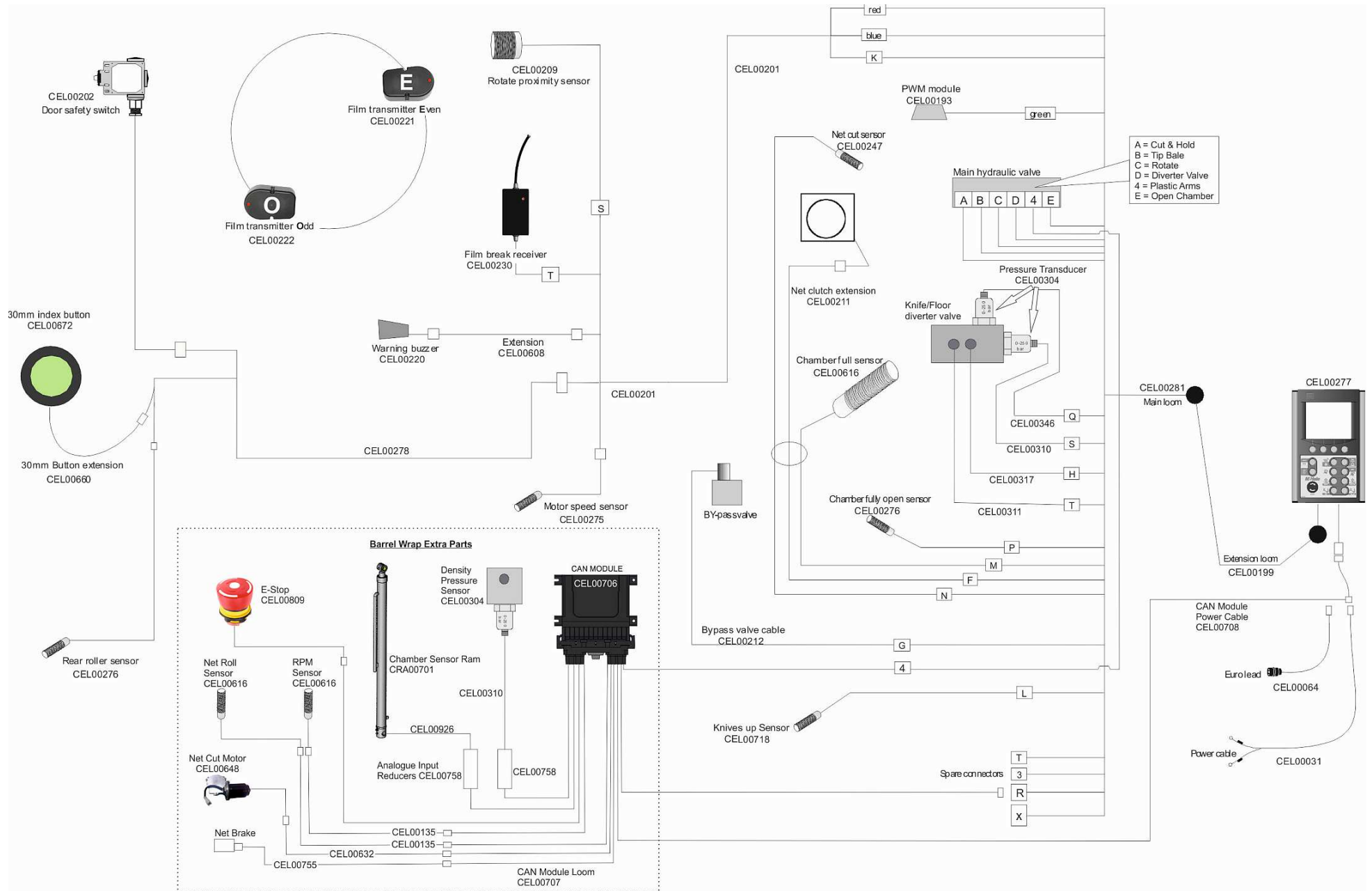
Electrical control [Standard] (561)



No.	Part No	Description	Qty
1	CEL00031	LOOM POWER ELECTRONIC MON	1
2	CEL00064	LOOM COBO WHITE CON LEAD	1
3	CEL01600	CTRL EXPERT PLUS 3 FUSION	1
<i>REPLACES CEL00277</i>			
4	CEL00199	LOOM BALER EXT ARMoured	1
5	CEL00281	LOOM MAIN FUSION2	1
5a	CBE00176	LOOM CONNECTION COVER FUSION II	1
<i>LOOM CONNECTION COVER OVER MAIN HYDRAULIC VALVE</i>			
6	CEL00201	LOOM VALVE TO REAR BALER	1
7	CEL00278	LOOM TRANSVERSE FUSION2	1
8	CEL00193	MODULE CONSTANT CURRENT	1
9	CEL00211	LOOM CLUTCH NET UNIT	1
10	CEL00212	LOOM BY PASS VALVE MARKED G	1
11	CEL00317	EXT. ADAPTOR KNIFE1 DIVERTER MARKED H	1
12	CEL00247	SENSOR CABLE 2250MM	1
<i>CEL00215 UNIVERSAL MAGNETIC SENSOR IS A SUITABLE REPLACEMENT FOR THIS PART. ALL McHALE MAGNETIC SEN</i>			
13	CEL00304	PRESSURE TRANSMITTER 0-250BAR M12	1
<i>QUANTITY IS 2 ON SELECTABLE KNIFE MACHINES</i>			
14	CEL00310	ADAPTER KNIFE1 PRESSURE TRANSDUCER	1
15	CEL00714	SENSOR 12MM PROXIMITY 5M	1
16	CEL00276	SENSOR DOOR OPEN FUSION2	2
<i>CEL00215 UNIVERSAL MAGNETIC SENSOR IS A SUITABLE REPLACEMENT FOR THIS PART. ALL McHALE MAGNETIC SEN</i>			
17	CEL00616	SENSOR ASS PROXIMITY 18MM	1
18	CEL00202	SWITCH ASSY DOOR SAFETY BALER	1
19	CEL00275	SENSOR MOTOR SPEED FUSION2	1
<i>CEL00215 UNIVERSAL MAGNETIC SENSOR IS A SUITABLE REPLACEMENT FOR THIS PART. ALL McHALE MAGNETIC SEN</i>			
20	CEL00209	SENSOR ASSY 30MM BALER	1
21	CEL00672	KIT 30MM INDEX BUTTON	1
22	CEL00660	ADAPTER EXTENSION 30MM INDEX BUTTON	1
23	CEL00220	WARNING BUZZER	1
24	CEL00608	LOOM EXTENSION BUZZER	1
25	CEL00221	TRANSMITTER EVEN/GEAR COVER	1
26	CEL00222	TRANSMITTER ODD/GEAR COVER	1
27	CEL00230	RECEIVER 433 COMPLETE ASY	1
28	CEL00311	EXTENSION ADAPTER TWIN KNIFE DIVERTER (MARK T)	1
<i>USED ON SELECTABLE KNIFE MACHINES ONLY</i>			
29	CEL00346	ADAPTER KNIFE2 PRESSURE TRANSDUCER FUSION	1
<i>USED ON SELECTABLE KNIFE MACHINES ONLY</i>			
30	CEL00718	SENSOR 12MM PROXIMITY 5M ASSY 4MM RANGE	1
<i>USED ON SELECTABLE KNIFE MACHINES ONLY</i>			

No.	Part No	Description	Qty
-----	---------	-------------	-----

Electrical control [Barrel wrap] (917)



No.	Part No	Description	Qty
1	CEL00031	LOOM POWER ELECTRONIC MONITOR	1
2	CEL00064	LOOM COBO WHITE CON EURO LEAD	1
3	CEL00193	MODULE CONSTANT CURRENT	1
4	CEL00199	EXTENSION LOOM 37 PIN 3.3M	1
5	CEL00201	LOOM VALVE TO REAR FUSION	1
6	CEL00202	SWITCH ASSY DOOR SAFETY BALER	1
7	CEL00209	SENSOR ASSY 30MM BALER	1
8	CEL00211	LOOM CLUTCH NET UNIT	1
9	CEL00212	LOOM EXT BYPASS VALVE (MARK G)	1
10	CEL00220	WARNING BUZZER COMPLETE ASY	1
11	CEL00221	TRANSMITTER EVEN/GEAR COVER	1
12	CEL00222	TRANSMITTER ODD/GEAR COVER	1
13	CEL00230	RECEIVER RADIO FILM BREAK	1
14	CEL00247	SENSOR CABLE 2.25 M	1
15	CEL00275	SENSOR 2.1M MOTOR SPEED ARMD	1
16	CEL00276	SENSOR 2M DOOR OPEN FUS2	2
17	CEL00277	CONTROL BOX RDS KIT FUSION2+3	1
18	CEL00278	LOOM TRANVERSE FUSION2	1
19	CEL00281	LOOM MAIN FUSION2	1
19a	CBE00176	LOOM CONNECTION COVER FUSION II	1
<i>LOOM CONNECTION COVER OVER MAIN HYDRAULIC VALVE</i>			
20	CEL00304	PRESSURE TRANSMITTER 0-250BAR M12	2
21	CEL00310	ADAPTER KNIFE1 PRESSURE TRANSDUCER FUSION	2
22	CEL00317	EXT. ADAPTER KNIFE 1 DIVERTER (MARK H)	1
23	CEL00608	EXTENSION 2 WAY AMP 1.7M BEEPER-FUSION	1
24	CEL00616	SENSOR ASSY PROXIMITY 18MM NPN	3
25	CEL00648	MOTOR NET CUT UNIT	1
26	CEL00660	30MM INDEX BUTTON EXTENSION LOOM	1
27	CEL00672	30MM INDEX BUTTON KIT SPARES KIT	1
28	CRA00701	RAM DOOR WITH TRANSDUCER FUS	1
28	UWP00216	FUSION2 BW ULTRASONIC UPGARDE KIT	1
<i>CONVERTS OLDER MACHINES FROM TRANSDUCER (CRA00701) TO ULTRASONIC (INCLUDING SOFTWARE)</i>			
29	CEL00706	CAN MODULE HBM FUSION2	1
30	CEL00707	LOOM CAN MODULE FUSION2	1
31	CEL00708	POWER CABLE CAN MODULE FUSION2	1
32	CEL00718	SENSOR ASSY 12MM NPN 2600MM 'L'	1
33	CEL00758	EXT 33% INPUT REDUCTION	2
34	CEL00809	E-STOP, 2WAY AMP CONNECTOR	1
36	CEL00135	EXTENSION CABLE 3.5M 3 CORE	2
37	CEL00311	EXTENSION ADAPTER TWIN KNIFE DIVERTER (MARK T)	1
38	CEL00346	ADAPTER KNIFE2 PRESSURE TRANSDUCER FUSION	1
39	CEL00632	LOOM EXT NET MOTOR (MARK T) F5	1
41	CEL00755	ADAPTOR 2 WAY AMP DIN 1900MM	1
43	CEL00926	ADAPTOR 3WAY AMP-M12 STRAIGHT 2M	1

No.	Part No	Description	Qty
-----	---------	-------------	-----

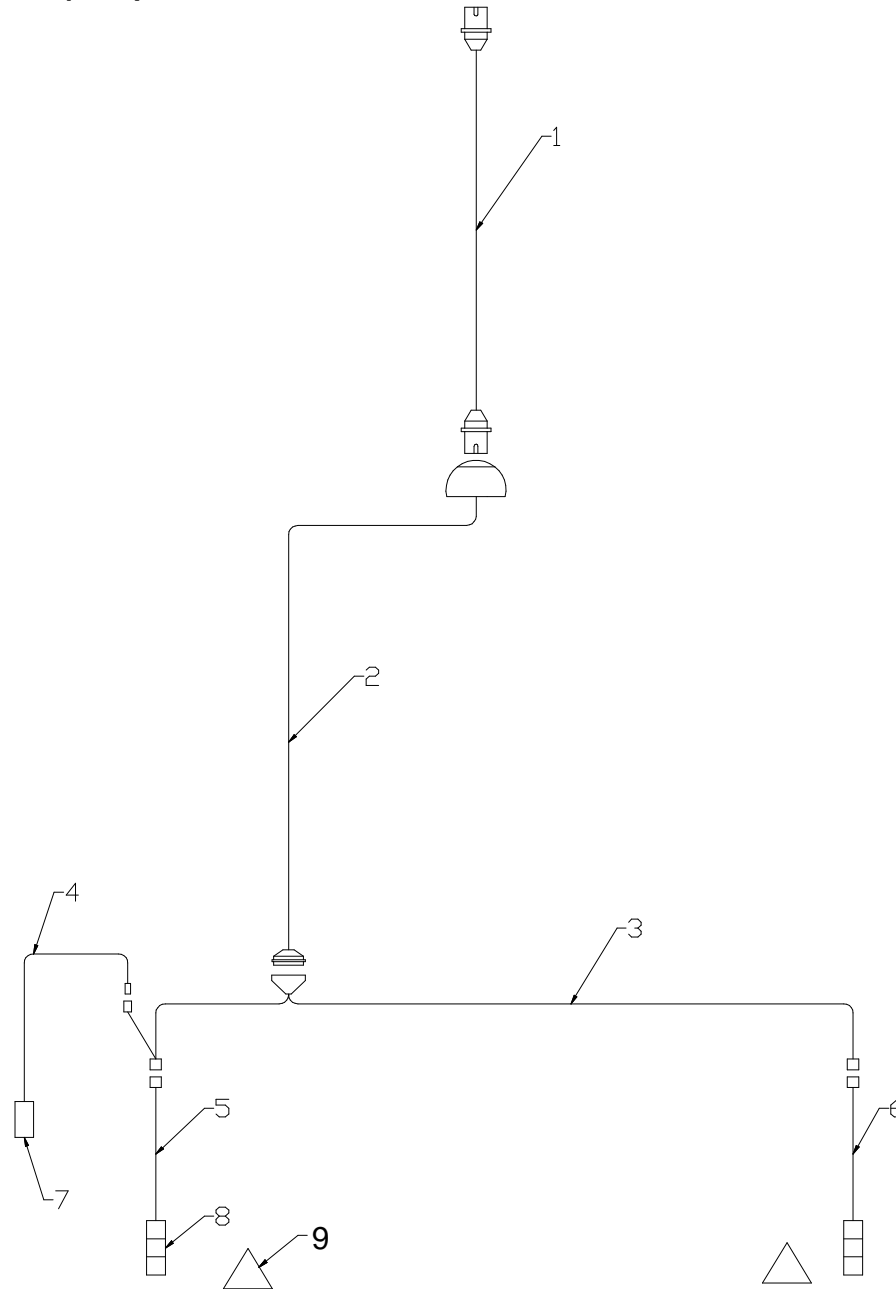
Expert plus control unit (1075)



No.	Part No	Description	Qty
1	CEL00277	CTRL EXPERT PLUS FUSION 2/3	1
1	CEL00647	CTRL EXPERT PLUS FUS 2/3 RECON	1
1	CEL01600	CTRL EXPERT PLUS 3 FUSION	1
1	CEL00675	CTRL EXPERT PLUS V6	1
1	CEL00770	CTRL EXPERT PLUS V6 RECON	1
1	CEL01553	CTRL EXPERT PLUS 3 V6	1
1	CEL00993	CTRL EXPERT PLUS ORBITAL	1
1	CEL00377	CTRL EXPERT PLUS ORBITAL RECON	1
1	CEL01601	CTRL EXPERT PLUS 3 ORBITAL	1
1	CEL00734	CTRL EXPERT PLUS W2020	1
1	CEL00374	CTRL EXPERT PLUS W2020 RECON	1
1	CEL01602	CTRL EXPERT PLUS 3 W2020	1
1	CEL00631	CTRL EXPERT PLUS F5600	1
1	CEL00644	CTRL EXPERT PLUS F5600 RECON	1
1	CEL01555	CTRL EXPERT PLUS 3 F5600 PLUS	1
2	CEL00836	REMOTE HAND CONTROLLER 991/995	1
3	CEL00290	EXPERT PLUS CONTROL BOX SCREEN	1
4	CEL00322	SCREEN PROTECTOR EXPERT PLUS	1
5a	CEL00326	BATTERY EXPERT/EXPERT PLUS	1
5b	CEL00291	BATTERY AUTO BOX	1
6	CEL00365	CTRL UNIT CONNECTOR LOCK RING	1
7	CEL00670	CONTROL UNIT STOP SWITCH	1
8	CEL00671	STOP SWITCH CONTACT BLOCK	1
9	CEL00359	EXPERT PLUS 1 CABLE+PLATE F2/3	1
9	CEL00360	EXPERT PLUS 1 CABLE + PLATE V6	1
9	CEL00384	EXPERT PLUS 3 CABLE+PLATE F2/3	1
9	CEL00385	EXPERT PLUS 3 CABLE+PLATE V6	1
10	CEL00064	LOOM COBO WHITE CON EURO LEAD	1
11	CEL00010	EURO SOCKET TO BATT POWER LEAD	1
12	CEL00254	RDS EXPERT UPLOAD KIT	1
13	CEL00031	BAT POWER LEAD CTRL BOX DIRECT	1
14	CPL00007	VACUUM PAD FLAT BACK	1
15	KST00070	CONTROL UNIT MOUNTING BRACKETS	1
16	CEL00098	CON HSG TAB 2 WAY AMP 180924-0	1
17	CEL00027	TERM CRIMP TAB AMP NO 42565-2	1
18	CEL00382	EXPERT PLUS 1 KEYPAD MEMBRANE	1
18	CEL00383	EXPERT PLUS 3 KEYPAD MEMBRANE	1
19	CEL01603	OVERLAY EXPERT PLUS 3 V6	1
19	CEL01604	OVERLAY EXPERT PLUS 3 F5600/PLUS	1
19	CEL01605	OVERLAY EXPERT PLUS 3 FUSION	1
19	CEL01606	OVERLAY EXPERT PLUS 3 ORBITAL	1
19	CEL01607	OVERLAY EXPERT PLUS 3 W2020	1
20	CEL00343	OVERLAY EXPERT PLUS F560	1
20	CEL00344	OVERLAY EXPERT PLUS FUSION 2	1
20	CEL00345	OVERLAY EXPERT PLUS V660	1
20	CEL00995	OVERLAY EXPERT PLUS ORBITAL	1
20	CEL01577	OVERLAY EXPERT PLUS W2020	1
21	CEL00325	SPEAKER EXPERT PLUS	1

No.	Part No	Description	Qty
22	CEL00398	EPROM CANBUS EXPERT PLUS 1	1
23	CEL01626	RUBBER USB COVER EXPERT PLUS 3	1
24	CEL00945	USB MEMORY DRIVE 2GB	1
25	CEL00665	RADIO REMOTE RECEIVER	1
26	CEL00012	REMOTE RECEIVER	1
27	CEL00122	CON 9 WAY D PLUG MALE	1
28	CEL00315	PLUG 9 WAY D-TYPE (10 PACK)	1
29	CEL00316	BACKSHELL 9 WAY D-TYPE	1
30	CEL00664	REMOTE HAND PIECE R/C	1
31	CEL00013	REMOTE HAND PIECE	1

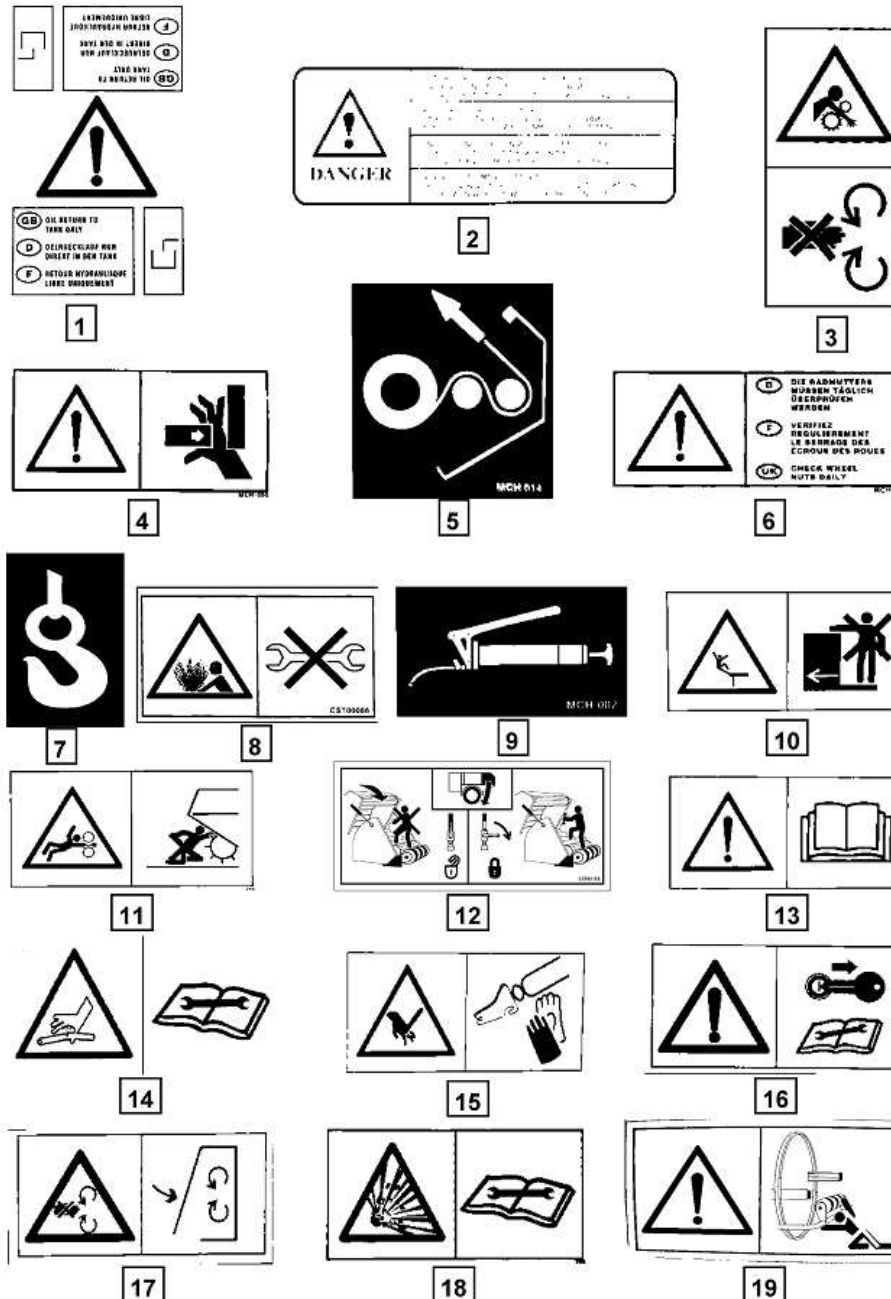
Electrical lighting kit CEL00208 (563)



No.	Part No	Description	Qty
1	CEL00218	3M M/M 7PIN CABLE PLUG	1
2	CEL00219	4.6M FUSION LIGHTHING LOOM	1
3	CEL00224	LIGHTING LOOM TO LEFT + RIGHT	1
4	CEL01529	LED WORK LAMP	1
<i>REPLACES CEL00227 (ALSO ORDER BRACKET CZD04649 FOR MACHINES PRIOR TO SERIAL No 662696)</i>			
5	CEL00225	REAR LEFT LAMP FUSION	1
6	CEL00226	REAR RIGHT LAMP FUSION	1
7	CEL00234	LIGHTING CLEAR LENS FUSION	1
8	CEL00233	LIGHTING REAR LENS FUSION	2
9	CEL00077	REFLECTOR REAR TRIANGULAR RED	2

No.	Part No	Description	Qty
-----	---------	-------------	-----

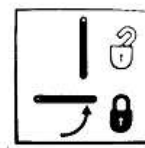
Decals 1 (558)



No.	Part No	Description	Qty
1	CST00006	DECAL FREEFLOW RET TO TANK	1
2	CST00014	DECALWARNING!ROTATING ELEMENTS	2
3	CST00017	DECAL ROTATING ELEMENTS 214	3
4	CST00019	DECAL CRUSHED HAND MCH-005	3
5	CST00022	DECAL FILM PATH 998 MCH-014	1
6	CST00020	DECAL CHECK WHEEL NUTS MCH-003	2
7	CST00032	DECAL LIFTING HOOK	4
8	CST00056	DECAL ACCUMULATOR WARNING	4
9	CST00060	DECAL GREASE GUN	12
10	CST00107	DECAL NO STANDING ON PLATFORM	1
11	CST00108	DECAL ROTATING PICK-UP REEL	3
12	CST00155	CHAMBER DOOR LOCK DECAL	0
13	CST00110	DECAL READ MANUAL (HORIZONTAL)	4
14	CST00111	DECAL HYD WARNING (HORIZONTAL)	3
15	CST00112	DECAL WARNING! SHARP KNIVES	4
16	CST00113	DECAL REMOVE KEY (HORIZONTAL)	4
17	CST00114	DECAL CLOSE PROTECTIVE COVERS	2
18	CST00115	DECAL ACCUMULATOR PRESSURE	2
19	CST00116	DECAL DANGER! ROTATING RING	2

No.	Part No	Description	Qty
-----	---------	-------------	-----

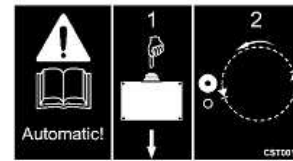
Decals 2 (559)



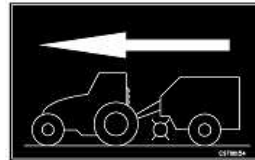
20



21



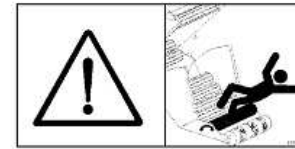
22



23



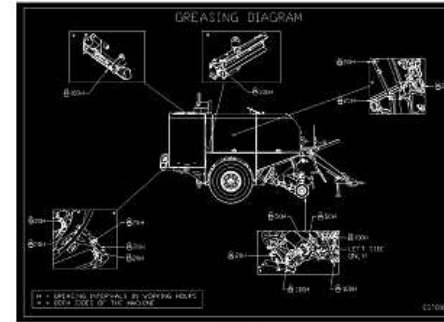
24



25



26



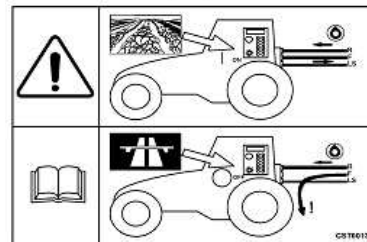
28

McHale

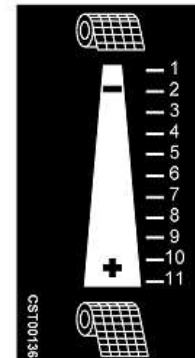
27



29



30

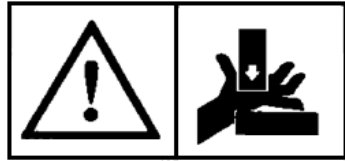


31

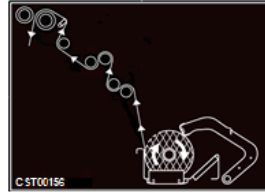
No.	Part No	Description	Qty
20	CST00118	DECAL KNIFE LOCK POSITION	1
21	CST00121	DECAL OIL PRESSURE/PTO RPM	1
22	CST00137	FUSION DISPENSER PARK	1
23	CST00154	DISPENSER RING ORIENTATION	1
24	CST00162	IDLE ROLLER DANGER DECAL LEFT	1
25	CST00161	IDLE ROLLER DANGER DECAL RIGHT	1
26	CST00163	DECAL WARNING KEEP BRAKES CLEAN	1
27	CST00122	DECAL MCHALE REAR SIDE PANEL	1
28	CST00164	FUSION 2 GREASING DECAL	1
29	CST00134	DECAL FUSION GENERIC WARNINGS	1
30	CST00135	DECAL FUSION ROAD LAND PIPING	1
31	CST00136	DECAL FUSION NET SET	1

No.	Part No	Description	Qty
-----	---------	-------------	-----

Decals 3 (560)



30

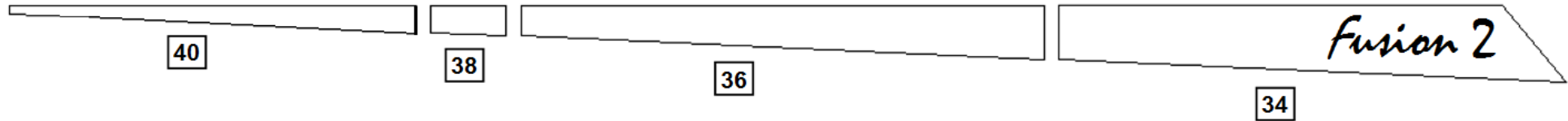


31

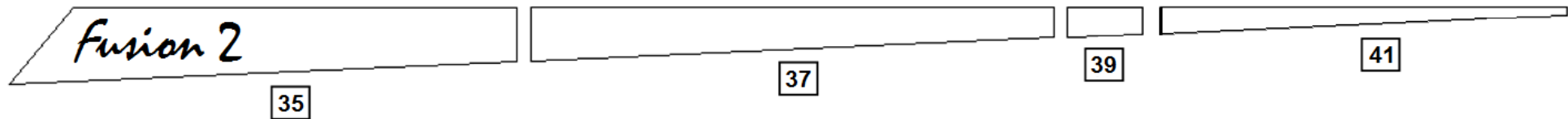


32

McHale 33



33 *McHale*



No.	Part No	Description	Qty
30	CST00120	DECAL CRUSHED HAND (ABOVE)	2
31	CST00156	FUSION 2 NETTER DECAL	1
32	CST00157	FUSION 2 WHEEL DECAL	1
33	CST00122	DECAL MCHALE REAR PANEL FUSION	2
34	CST00159	FUSION 2 SILVER DECAL FOR PANEL RIGHT	1
35	CST00160	FUSION 2 SILVER DECAL FOR PANEL LEFT	1
36	CST00125	DECAL FUSION RIGHT CENTER	1
37	CST00126	DECAL FUSION LEFT CENTER	1
38	CST00647	DECAL FUSION II RIGHT SEP. PAN	1
39	CST00648	DECAL FUSION II LEFT SEP. PANE	1
40	CST00129	DECAL FUSION RIGHT REAR	1
41	CST00130	DECAL FUSION LEFT REAR	1

No.	Part No	Description	Qty
-----	---------	-------------	-----