

# **McHale** *Fusion*



QUALITY

I.S. EN ISO 9001:2015

**NSAI Certified**



## **FUSION 1** **Spare Parts Book**

McHale,  
Ballinrobe,  
Co. Mayo, Ireland.

Tel: +353 94 9520300

Fax: +353 94 9520356

Email: [sales@mchale.net](mailto:sales@mchale.net)

Website: [www.mchale.net](http://www.mchale.net)

---

This page is intentionally left blank

---

## Introduction

---

The **McHale FUSION 1** which you have purchased has been developed through years of constant research and development. Given proper care and attention the **FUSION 1** will give years of reliable and dependable performance. However it is important that the operators manual is read and fully understood to achieve this, **before** the machine is operated. As part of this philosophy it is vital to use only **genuine McHale** replacement parts, as these are manufactured to the same high standard as the original machine. These may be obtained through your **McHale** dealer.

If any part of this manual is not fully understood, please contact your **McHale** dealer who will be able to answer any questions or queries that you might have. It is important to quote the machine serial number when requiring spare parts or technical assistance. Space is provided below to record the machine details:

<b>Serial number:</b>	
<b>Year of manufacture:</b>	
<b>Date of delivery:</b>	

If you require further copies of this spare parts manual please  
quote part number CLT00033

**Note:** Parts described as left and right are done so according to the direction that the machine normally travels in.

**Note:** Due to a policy of continuous product development and improvement *McHale Engineering* reserve the right to alter machine specifications without prior notice.

---

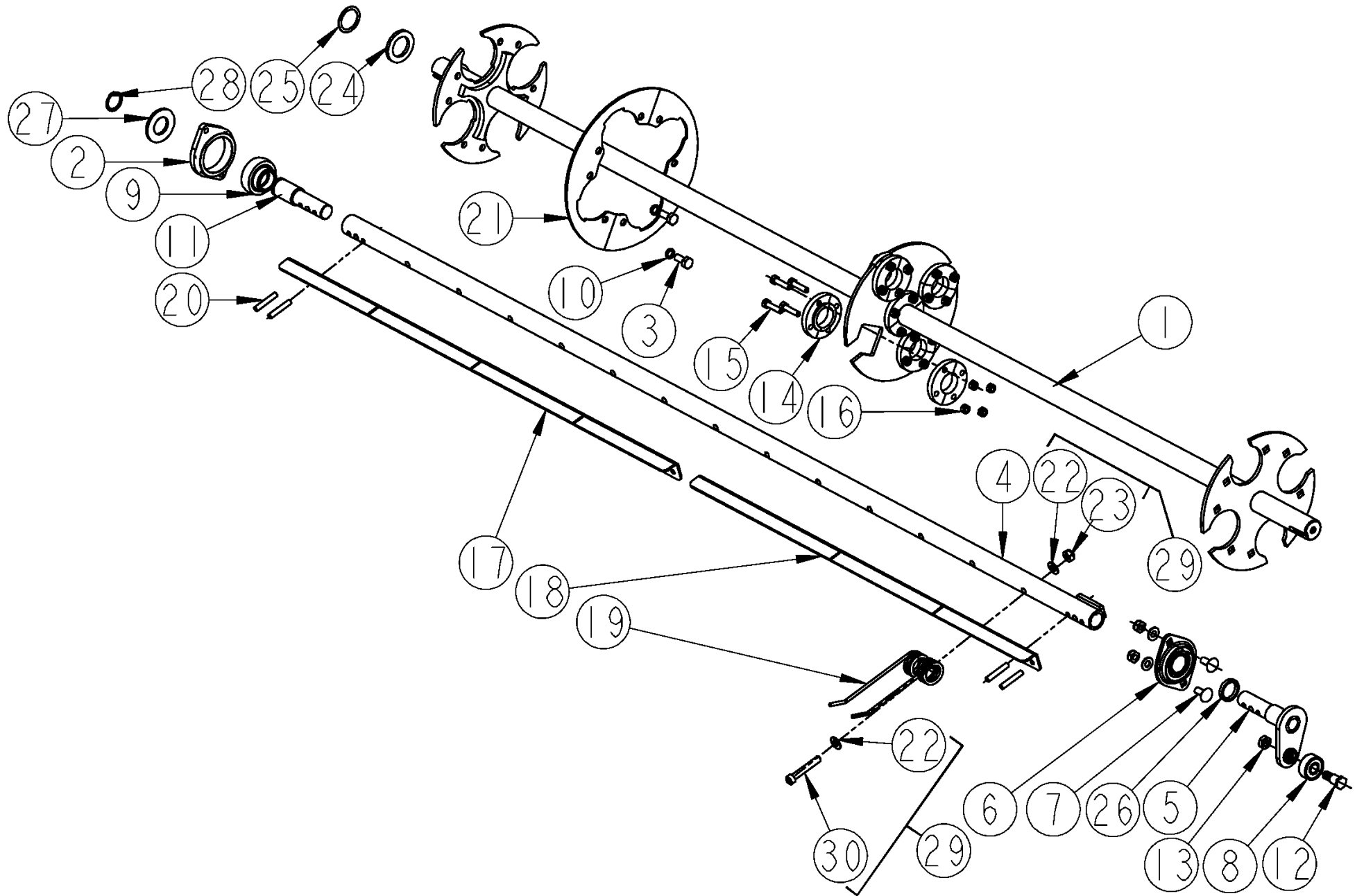
# Contents

---

Section	Page No	Document No	Section	Page No	Document No
<b>Pick-up unit</b>			Front chamber [idle side] (64)	54	SPD00064
Pick-up reel shaft (58)	6	SPD00058	Front chamber [drive side] (65)	56	SPD00065
Pick-up reel chassis (57)	8	SPD00057	Bottom chamber door [idle side] (61)	58	SPD00061
Pick-up 3 (53)	10	SPD00053	Bottom chamber door [drive side] (62)	60	SPD00062
Pick-up 4 (54)	12	SPD00054	Top chamber door [idle side] (66)	62	SPD00066
Pick-up 5 (55)	14	SPD00055	Top chamber door [drive side] (68)	64	SPD00068
Pick-up 6 [with shear bolt] (56)	16	SPD00056	Rollers (510)	66	SPD00510
Pick-up drop floor (59)	18	SPD00059	Roller locations (73)	68	SPD00073
Pick-up drop floor [german] (60)	20	SPD00060	<b>Netter</b>		
<b>PTO shaft &amp; Gearbox</b>			Net box [old net brake spring] (75)	70	SPD00075
PTO shaft [walterscheid] (49)	22	SPD00049	Net box [up to serial no. 650620] (76)	72	SPD00076
PTO shaft [bondioli] (50)	24	SPD00050	Net box [from serial no. 650621] (77)	74	SPD00077
Gearbox 1 (47)	26	SPD00047	Netter unit [up to serial no. 650620] 1 (78)	76	SPD00078
Gearbox 2 (48)	28	SPD00048	Netter unit [up to serial no. 650620] 2 (79)	78	SPD00079
<b>Chassis</b>			Netter unit [from serial no. 650621] 1 (80)	80	SPD00080
Drawbar (45)	30	SPD00045	Netter unit [from serial no. 650621] 2 (81)	82	SPD00081
Drawbar [german] (46)	32	SPD00046	Net tensioner (82)	84	SPD00082
Steps & Platform [up to serial no. 650528] (95)	34	SPD00095	Net clutch unit [without net tensioner] (83)	86	SPD00083
Steps & Platform [from serial no. 650529] (96)	36	SPD00096	Net clutch unit [with net tensioner] (84)	88	SPD00084
Chassis 1 (42)	38	SPD00042	<b>Wrapping</b>		
Chassis 2 (43)	40	SPD00043	Front wrapping cradle (85)	90	SPD00085
Chassis 3 (44)	42	SPD00044	Rear wrapping cradle 1 (86)	92	SPD00086
Axle LH (51)	44	SPD00051	Rear wrapping cradle 2 (87)	94	SPD00087
Axle RH (52)	46	SPD00052	Dispenser ring (88)	96	SPD00088
Wheels (564)	48	SPD00564	Dispenser ring drive wheel (527)	98	SPD00527
Chains & Belts (74)	50	SPD00074	Dispenser ring suspension unit (528)	100	SPD00528
Panels (97)	52	SPD00097	Dispenser 1 (91)	102	SPD00091
<b>Bale chamber</b>			Dispenser 2 (92)	104	SPD00092

Section	Page No	Document No	Section	Page No	Document No
Cut & Hold LH (93)	106	SPD00093	Oil & Grease systems 4 (123)	156	SPD00123
Cut & Hold RH (94)	108	SPD00094	Electrical control (565)	158	SPD00565
Side tip (126)	110	SPD00126	Expert control unit (1074)	160	SPD01074
<b>Hydraulic &amp; Electrical</b>			Electrical lighting kit CEL00208 (129)	162	SPD00129
Hydraulic valve fittings 1 (98)	112	SPD00098	<b>Decals</b>		
Hydraulic valve fittings 2 (99)	114	SPD00099	Decals 1 (127)	164	SPD00127
Hydraulic valve fittings 3 (100)	116	SPD00100	Decals 2 (128)	166	SPD00128
Hydraulic valve fittings 4 (101)	118	SPD00101			
Hydraulic fittings (102)	120	SPD00102			
Hydraulic hoses (103)	122	SPD00103			
Hydraulic valve main control CVA00115 (105)	124	SPD00105			
Hydraulic valve knife-floor-pick up CVA00113 (107)	126	SPD00107			
Hydraulic valve rotation & tip CVA00157 (108)	128	SPD00108			
Hydraulic valve baler door CVA00239 (109)	130	SPD00109			
Hydraulic rams bottom door CRA00165 [up to serial no. 650619] (110)	132	SPD00110			
Hydraulic rams bottom door CRA00252 [from serial no. 650620] (111)	134	SPD00111			
Hydraulic rams top door CRA00166 [up to serial no. 650619] (112)	136	SPD00112			
Hydraulic rams top door CRA00253 [from serial no. 650620] (113)	138	SPD00113			
Hydraulic rams drop floor CRA00193 (114)	140	SPD00114			
Hydraulic rams rear cradle CRA00194 (115)	142	SPD00115			
Hydraulic rams pick-up CRA00199 (117)	144	SPD00117			
Hydraulic rams cut & hold CRA00074 (118)	146	SPD00118			
Hydraulic rams brake actuation CRA00100 (119)	148	SPD00119			
Oil & Grease systems 1 (120)	150	SPD00120			
Oil & Grease systems 2 (121)	152	SPD00121			
Oil & Grease systems 3 (122)	154	SPD00122			

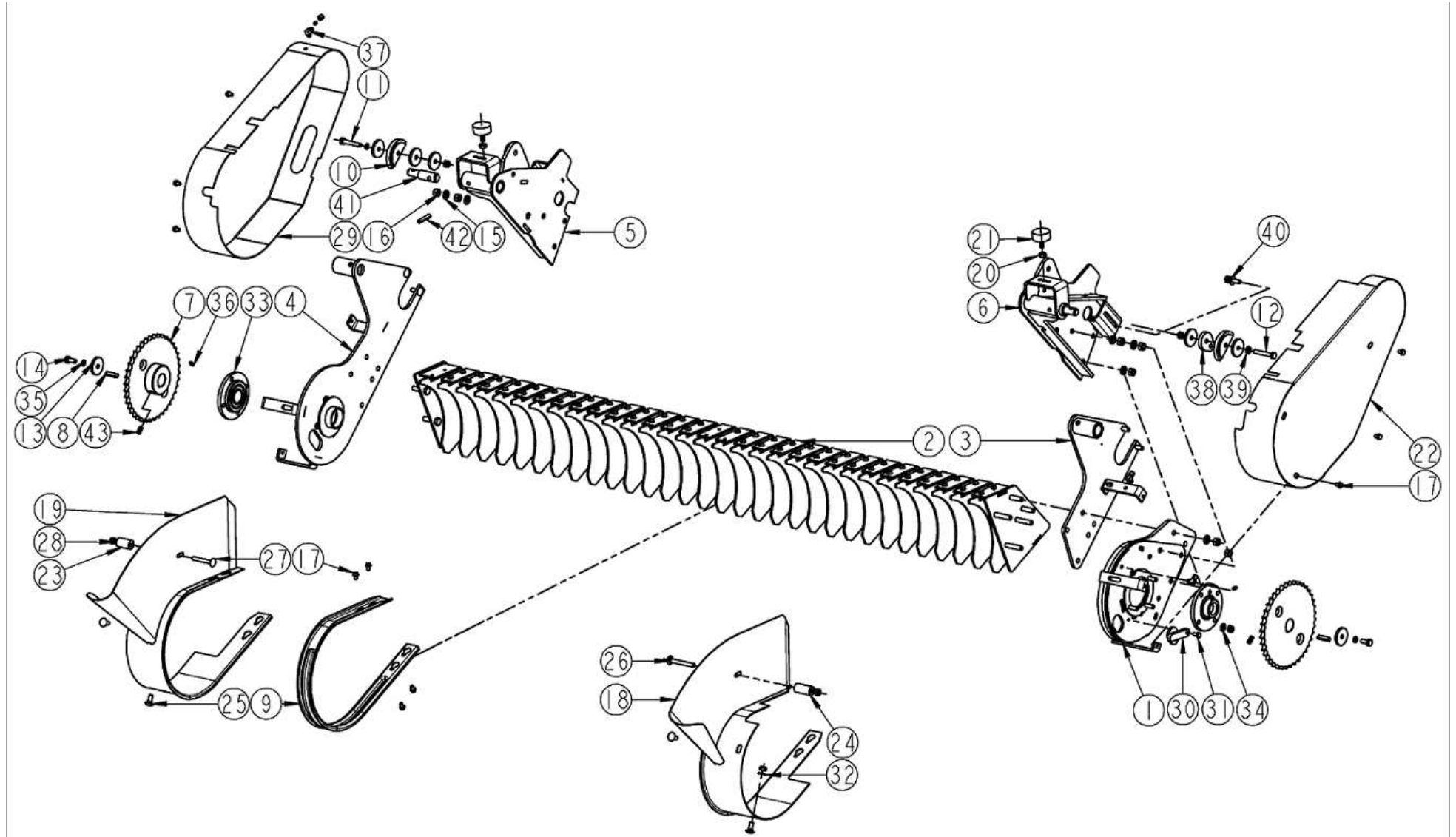
**Pick-up reel shaft (58)**



No.	Part No	Description	Qty
1	ACH00309	PICK UP REEL SHAFT ASSY.	1
2	ACH00345	BEARING HOUSING ASSEMBLY	4
3	CFA00024	SETSCREW M10X25 ZP	8
4	ALA00046	TYNE BAR WELD ASSY. REEL	4
5	ACH00310	CAM AXLE (WELDED)	4
<i>REPLACED BY CTP00251 (ACH00310 CAN ONLY BE USED ON A 4-TINE BAR REEL)</i>			
5	CTP00251	CAM AXLE (FORGED)	4
<i>REPLACES ACH00310 (CTP00251 CAN BE USED ON A 4 OR 5-TINE BAR REEL)</i>			
6	CBR00072	BEARING INA 2 BOLT RAE 30 NPPB	4
7	CFA00442	SETSCREW M10X25 CUP SQ	8
8	CBR00081	BEARING CAM INA LR 5202 NPPU	4
9	CBR00075	BEARING INA RAE 30 NPPB	4
10	CFA00137	WASHER SPRING 10MM H.D ZP	8
11	CMH00843	SHAFT 30X125 STEPPED & C-HOLES	4
12	CMH00672	BOLT SHOULDER 3/4" HEX SHAFT	4
13	CFA00446	NUT M12 HEXAGON LOCK/HALF NUT	4
14	ALA00177	BUSHING CENTER (ASSY) REEL	5
15	CFA00055	BOLT M8X35 ZP	20
16	CFA00132	NUT M8 NYLOC ZP	20
17	CZC02139	3MM L TYNE BAR CHANNEL BALER	4
18	CZC02140	3MM L TYNE BAR CHANNEL BALER	4
19	CTN00008	TINE PICK UP REEL BALER	60
20	CFA00538	SPIROL PIN 8X45 S/C	16
21	CZD02285	4MM L REEL GRASS PLATE	2
22	CFA02244	WASHER	68
23	CFA00541	NUT	68
24	CZE00156	5MM L WASHER 35X55X5 ZP	1
25	CFA00512	SHIM 35X45X1.0 ZP	3
26	CZF02933	6MM L WASHER 30X37X6 ZP	4
27	CZD02325	4MM L WASHER 30X58X4 ZP	4
28	CFA00402	CIRCLIP 30MM EXTERNAL	4
29	KST00058	KIT	61
30	CFA00664	BOLT M10X60 SOC CAP ZP	60

No.	Part No	Description	Qty
-----	---------	-------------	-----

**Pick-up reel chassis (57)**

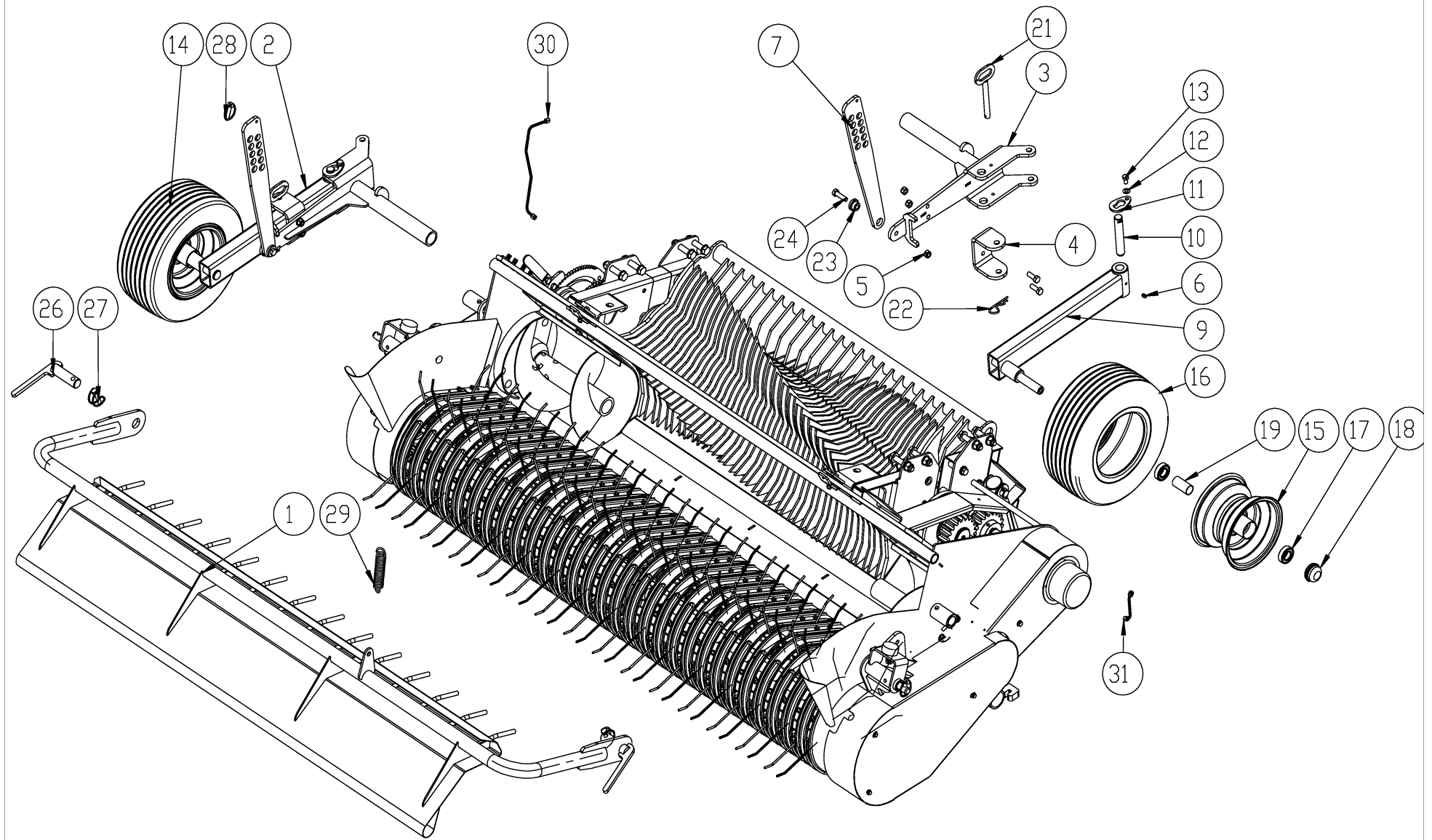




No. Part No	Description	Qty
1 CTP00252	CAM TRACK FORGED ASSY	1
<i>REPLACES ACH00308</i>		
1 ACH00308	CAM TRACK ASSY	1
<i>REPLACED BY CTP00252</i>		
2 ACH00424	REEL BACK PLATE WELD ASSY NEW	1
3 ACH00307	PICK UP REEL INNER BRCKT. (LEFT)	1
4 ACH00306	PICK UP REEL INNER BRCKT. (RIGHT)	1
5 ACH00298	REEL WELD ASSY. OUTER (RIGHT)	1
6 ACH00301	REEL WELD ASSY. OUTER (LEFT)	1
7 CMH00621	PLATWEHEEL 3/4" PITCH 40 T	2
8 CFA00624	KEY 10X8X40 STRAIGHT	2
9 CTP00048	BAND PICK UP REEL (BALER)	1
10 CPL00043	PLASTIC CHAIN TENSIONER (REEL)	2
11 CFA00026	BOLT M10X60	1
12 CFA00028	BOLT M10X65 ZP	1
13 CZF02215	6MM L WASHER 10.5X50X6 ZP	7
14 CFA00024	SETSCREW M10X25 ZP	2
15 CFA00138	WASHER FLAT 12MM ZP	6
16 CFA00124	NUT M12 NYLOC	7
17 CFA00766	SETSCREW M8X20 FLANGED ZP	123
<i>REPLACES CFA00492 M8X12</i>		
18 ACH00305	BAND OUTER (LEFT) WELD ASSY.	1
19 ACH00304	BAND OUTER (RIGHT) WELD ASSY.	1
20 CFA00008	NUT M10	2
21 CBE00002	BUFFER RUBBER 50X21 M10X28	2
22 CGD00034	GUARD REEL LEFT HAND SIDE	1
23 CMH00740	BUSH 12X25X42.5	1
24 CMH00741	BUSH 12X25X53	1
25 CFA00442	SETSCREW M10X25 CUP SQ	4
26 CFA00546	BOLT M10X85 CUP HEAD SQ ZP	1
27 CFA00474	BOLT M1 OX70 CUP SQUARE ZP	1
28 CFA00123	NUT M10 NYLOC	7
29 CGD00036	GUARD REEL RIGHT	1
30 CGD00050	CAM TRACK BLANKING CAP	1
31 CFA00101	SETSCREW M8X16 ZP	1
32 CFA00201	WASHER FLAT 10 MM ZP	1
33 CBR00092	BEARING CIRCR FLNGE INA PME 35	2
34 CFA00251	WASHER SKM10	1
35 CFA00137	WASHER SPRING 10MM H.D ZP	3
36 CFA00217	GREASE NIPPLE M6X1.0 ST	2
37 CFA00542	OILER FITTING 90 DEG 1/8" BSP	3
38 CZH02907	10MM L WASHER 10X50 FLAT SIDE ZP	1
39 CFA00207	WASHER SPRING 12MM HD ZP	1
40 CFA00520	SETSCREWM10X25 FLD ZP	1
41 CMH00817	PIN 25X100 & 12MM CH (ZP)	2
42 CFA00588	ROLL PIN 10X50 ZP	2
43 CFA00625	M10 x 20 GRUBSCREW	2

No. Part No	Description	Qty
-------------	-------------	-----

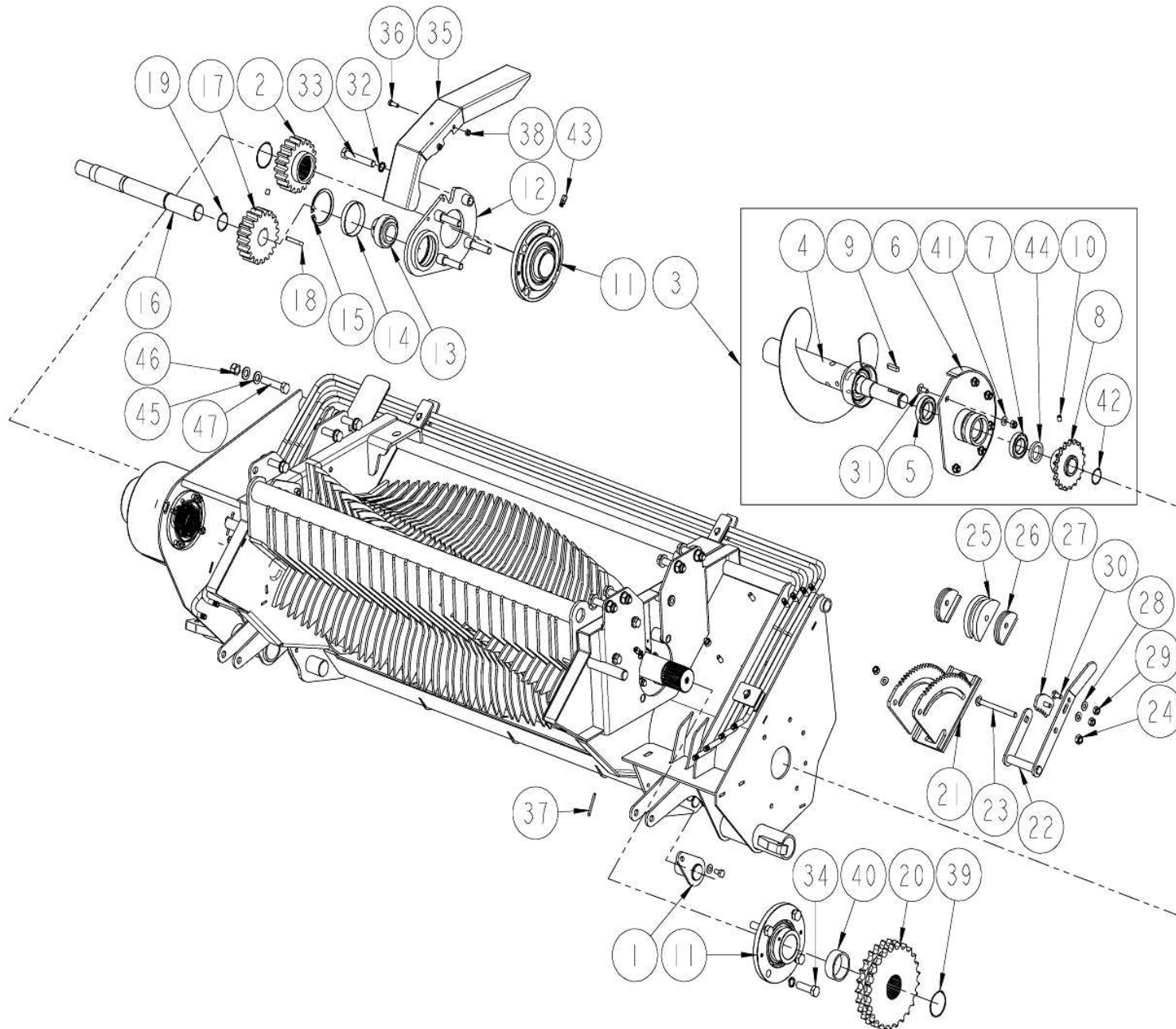
**Pick-up 3 (53)**



No.	Part No	Description	Qty
1	ACH00356	GRASS COVER REEL FRONT	1
2	ACH00349	PICKUP GUIDE WHEEL COMP ASSY	1
3	ACH00353	PICKUP WHEEL HINGE WELD ASSY	1
4	CZH02472	10MM L WHEEL GUIDE PART	1
5	CFA00124	NUT M12 NYLOC	2
6	CFA00118	GREASE NIPPLE M8X1.25 STRAIGHT	1
7	CZH02522	10MM L WHEEL GUIDE PART	1
8	CFA00124	NUT M12 NYLOC	1
9	ACH00352	PICKUP GUIDE WHEEL WELD ASSY	1
10	CMH00675	PIN 25 X 140 MILLED FOR CAP ZIP	1
11	CZF00293	6MM L CAP SHORT FOR 25MM PINS	1
12	CFA00251	WASHER SKM10	1
13	CFA00293	SETSCREW M 10X20 Z/P	1
14	CWH00037	WHEEL 170/60 -8 (V 64)	1
<i>INCLUDES ITEMS 15, 16, 17 &amp; 19</i>			
15	CWH00035	WHEEL RIM 5.50AX8	1
16	CWH00036	TYRE 170/60-8 VREDESTEIN 6PL Y	1
17	CBR00009	BEARING 6205 2RS	2
18	CTP00070	DUST CAP 170/60-8 VREDESTEIN	1
18a	CFA00031	SETSCREW M12X25 Z/P	1
18b	CFA00250	WASHER SKM12	1
18c	CFA00718	WASHER MUDWING A13 Z/P	1
18d	CFA00720	WASHER FLAT M26 Z/P DIN126	1
19	CMH00838	BUSH 27X30.25X62 REEL WHEEL	1
20	CZH02522	10MM L WHEEL GUIDE PART	1
21	AL000036	PIN WHEEL HINGE ASSY.	1
22	CFA00004	R-CLIP 4MM	1
23	CMH00771	BUSH 12X35 STEPPED	1
24	CFA00079	BOLT M12X45	1
25	CFA00124	NUT M12 NYLOC	1
26	ALA00035	HINGE PIN REEL FRONT GUARD Z/P	2
27	CFA00194	LINCH PIN PIPE 10MMX50MM	2
28	CFA00005	LINCH PIN 10MM	2
29	ACN00042	GRASS COVER SPRING ASSY	1
30	CHY02181	GREASE PIPE 3 FRONT SECTION	1
31	CHY02179	GREASE PIPE 1 FRONT SECTION	1

No.	Part No	Description	Qty
-----	---------	-------------	-----

**Pick-up 4 (54)**



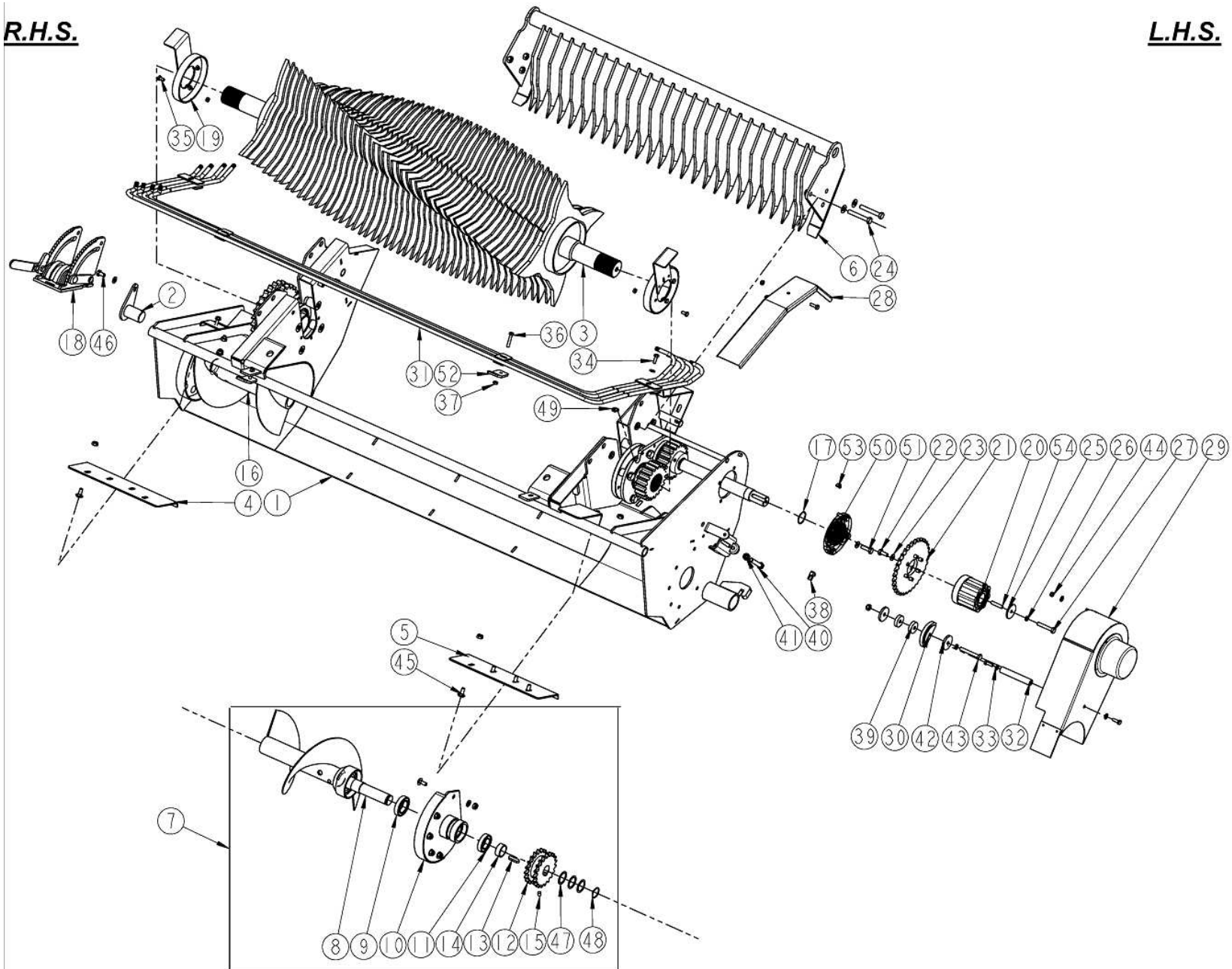
No.	Part No	Description	Qty
1	ACH00321	PIN CHOPPER FLOOR HINGE ZIP	2
2	CMH00652	GEAR SPUR MOD6 20 TOOTH SPLINE	1
3	ACH00328	AUGER COMPLETE ASSY. (RIGHT)	1
4	ACH00327	AUGER ASSY. (RIGHT)	1
5	CBR00076	BEARING 6008 2RS	1
6	ACH00313	BEARING HOUSING WELD ASSY.	1
7	CBR00001	BEARING 6007 2RS	1
8	ACH00326	SPROCKET AUGER ASSY. (RIGHT)	1
9	CFA00239	KEY 10X8X40	1
10	CFA00559	GRUBSCREW M10X12	1
11	CBR00078	BEARING FEC 60 4 BOLT FLANGE	2
12	CTP00391	BEARING HOLDER ASSY SPUR GEARS	1
<i>REPLACES ACH00330</i>			
12	ACH00331	BEARING HOLDER ASSY	1
<i>INCLUDES ITEMS 13, 14 &amp; 15</i>			
13	CBR00093	BEARING INSERT INA GYE 40 KRRB	1
14	CMH00245	BEARING RETAINER 1040 35MM	1
15	CFA00232	CIRCLIP 85MM INTERNAL	1
16	CMH00657	SHAFT 40 X 450.5 STEPPED	1
17	CMH00653	GEAR SPUR MOD6 20T 40MM ID	1
18	CFA00558	KEY 12X8X60	1
19	CFA00551	CIRCLIP 40MM EXTERNAL	2
20	CMH00659	SPROCKET 1" PITCH 25 T DUPLEX	1
21	ACH00333	CHAIN TENSIONER BRCK WELD ASSY	1
22	ACH00334	CHAIN TENSIONER ASSY.	1
23	CFA00493	BOLT M12X130 CUP SQUARE ZP	1
24	CFA00124	NUT M12 NYLOC	1
25	CPL00055	CHAIN TENSIONER SLIDE 1"DUPLEX	1
26	ACH00406	CHAIN TENSIONER SPACER 1" DUPLEX	2
27	ACH00427	CHAIN TENSIONER LATCH ASSY	1
28	CFA00201	WASHER FLAT 10 MM ZP	2
29	CFA00123	NUT M10 NYLOC	2
30	CFA00023	SETSCREW M10X20 ZP	1
31	CFA00442	SETSCREW M1 0X25 CUP SQ	12
32	CFA00142	WASHER SPRING 16MM ZP	8
33	CFA00040	BOLT M16X100 ZP	4
34	CFA00409	BOLT M16 X 60 ZP	4
35	CZB02160	1.5MM L SPUR GEAR GUARD BALER	1
36	CFA00102	SETSCREW M8X25 ZP	6
37	CFA00669	SPLIT PIN 8X50 ZP	2
38	CFA00132	NUT M8 NYLOC ZP	4
39	CFA00513	CIRCLIP 60MM EXTERNAL	2
40	CXT00262	TUBE 70X4.5X27 RAM TUBE	1
41	CFA00251	WASHER SKM10	18
42	CFA00514	CIRCLIP 35MM EXTERNAL	2
43	CFA00550	ROTOR BEARING GREASE FITTING	2
44	CZG02115	8MM L AUGER SPACER	1
45	CFA00140	WASHER FLAT 16MM ZP	16
46	CFA00128	NUT M16 NYLOC	8

No.	Part No	Description	Qty
47	CFA00498	BOLT M16 X 80 ZP	8

**Pick-up 5 (55)**

**R.H.S.**

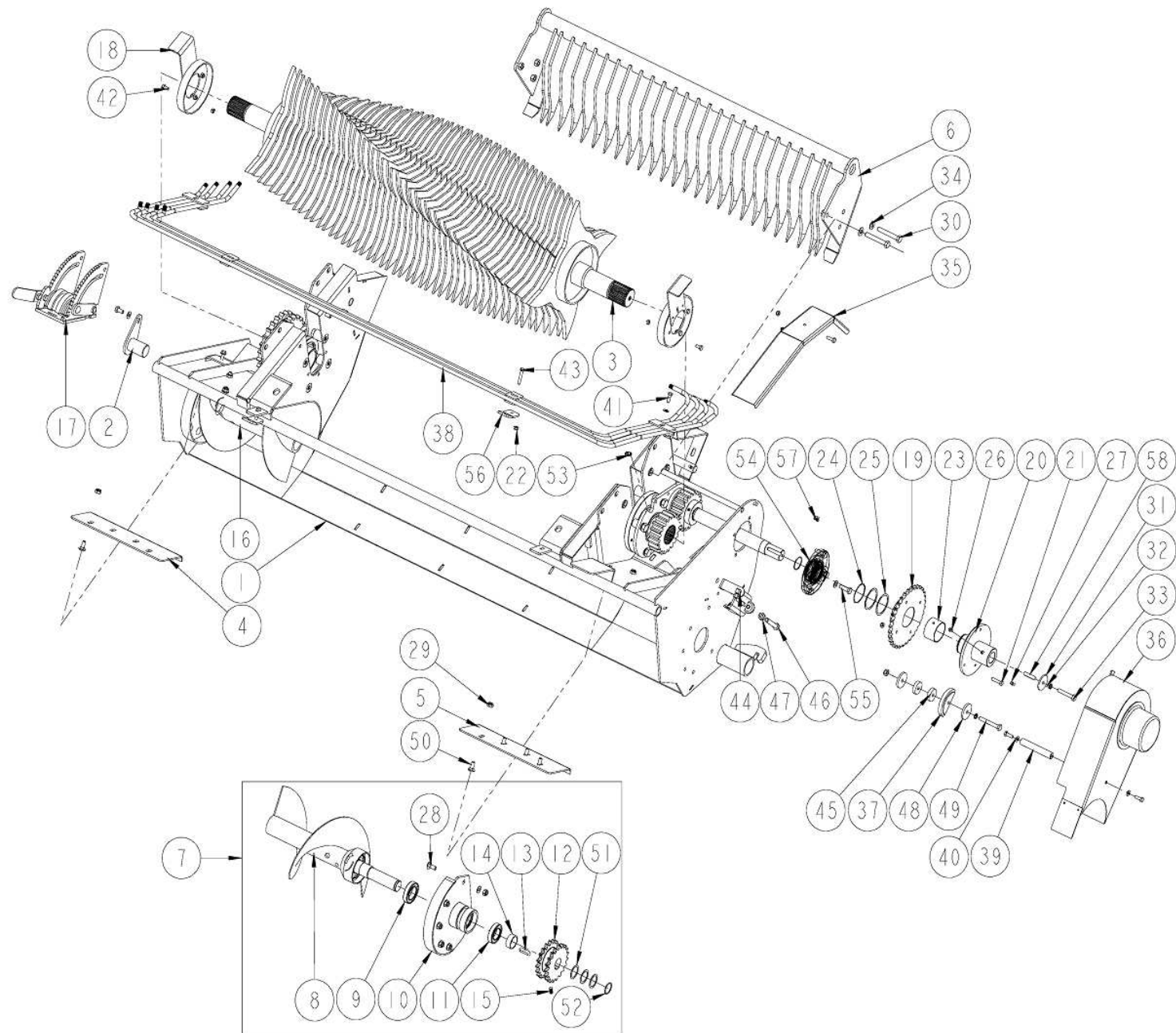
**L.H.S.**



No.	Part No	Description	Qty
1	ACH00297	CHOPPER CHASSIS COMP WELD ASSY	1
2	ACH00321	PIN CHOPPER FLOOR HINGE ZP	2
3	ACH00317	ROTOR 23 - 25 KNIFE WELD ASSY	1
3a	CZF02684	6MML ROTOR PLATE (23-25 KNIFE)	AR
REPLACEMENT ROTOR FINGER PLATE (NOTE: THERE ARE 2 FINGER PLATES PER FLIGHT)			
4	CZD02287	4MM L AUGER CLEANING PLATE (RIGHT)	1
5	CZD02227	4MM L CHOPPER UNIT PART	1
6	ACH00324	COMB WELD ASSY.	1
7	ACH00325	AUGER COMPLETE ASSY. (LEFT)	1
8	ACH00314	AUGER ASSY. (LEFT)	1
9	CBR00076	BEARING 6008 2RS	1
10	ACH00423	BEARING HOUSING WELD ASSY.	1
11	CBR00001	BEARING 6007 2RS	1
12	CMH00633	SPROCKET 3/4" PITCH 19T DOUBLE	1
13	CFA00239	KEY 10X8X40	1
14	CXT00259	TUBE 42.4X3X16	1
15	CFA00559	GRUBSCREW M10X12	1
16	ACH00328	AUGER COMPLETE ASSY. (RIGHT)	1
17	CFA00551	CIRCLIP 40MM EXTERNAL	2
18	ACH00335	CHAIN TENSIONER COMP. ASSY.	1
19	ARC00181	ROTOR SEAL RING ASSY M10	2
20	CMT00063	CLUTCH PICK-UP	1
21	CMH00727	PLATEWHEEL 314" PITCH 32T	1
22	CFA00024	SETSCREW M10X25 ZP	6
23	CFA00251	WASHER SKM10	6
24	CFA00384	BOLT M12X80	4
25	CZD00121	4MM L CUT & TIE SPACER ZP	1
26	CFA00137	WASHER SPRING 10MM H.D ZP	2
27	CFA00027	BOLT M10X60 ZP	1
28	CZB02160	1.5MM L SPUR GEAR GUARD BALER	1
29	CGD00057	GUARD SLIP CLUTCH PICKUP REEL	1
30	CPL00043	PLASTIC CHAIN TENSIONER (REEL)	1
31	CHY02120	STEEL PIPE ASSY PICK UP REEL	1
32	CMH00768	PIN 20X120 & 2 M8 THREADS	1
33	CFA00249	WASHER SKM8	11
34	CFA00102	SETSCREW M8X25 ZP	6
35	CFA00101	SETSCREW M8X16 ZP	6
36	CFA00106	BOLT M8X45 ZP	2
37	CFA00133	NUT M8 ZP	2
38	CFA00542	OILER FITTING 90 DEG 1/8" BSP	1
39	CZH02584	10MM L WASHER 40X10.5 ZP	2
40	CFA00330	BOLT M12X80 ZIP	1
41	CFA00125	NUT M12 ZP	1
42	CZF02215	6MM L WASHER 10.5X50X6 ZP	2
43	CFA00075	BOLT M10X75 ZP	1
44	CFA00132	NUT M8 NYLOC ZP	3
45	CFA00068	BOLT M10X25 CUP SQ. ZP	7
46	CFA00023	SETSCREW M10X20 ZP	2
47	CFA00512	SHIM 35X45X1.0 ZP	3

No.	Part No	Description	Qty
48	CFA00514	CIRCLIP 35MM EXTERNAL	2
49	CFA00550	ROTOR BEARING GREASE FITTING	2
50	CBR00104	BEARING INA TME 40 GE 40 KPPB3	1
51	CFA00311	SETSCREW M10X35 ZIP	4
52	CZF02904	6MM L GUARD BRACKET BALER	2
53	CFA00553	GREASE NIPPLE M6X1.0 45 DEG	1
54	CFA00081	KEY 10X8X45	1

**Pick-up 6 [with shear bolt] (56)**

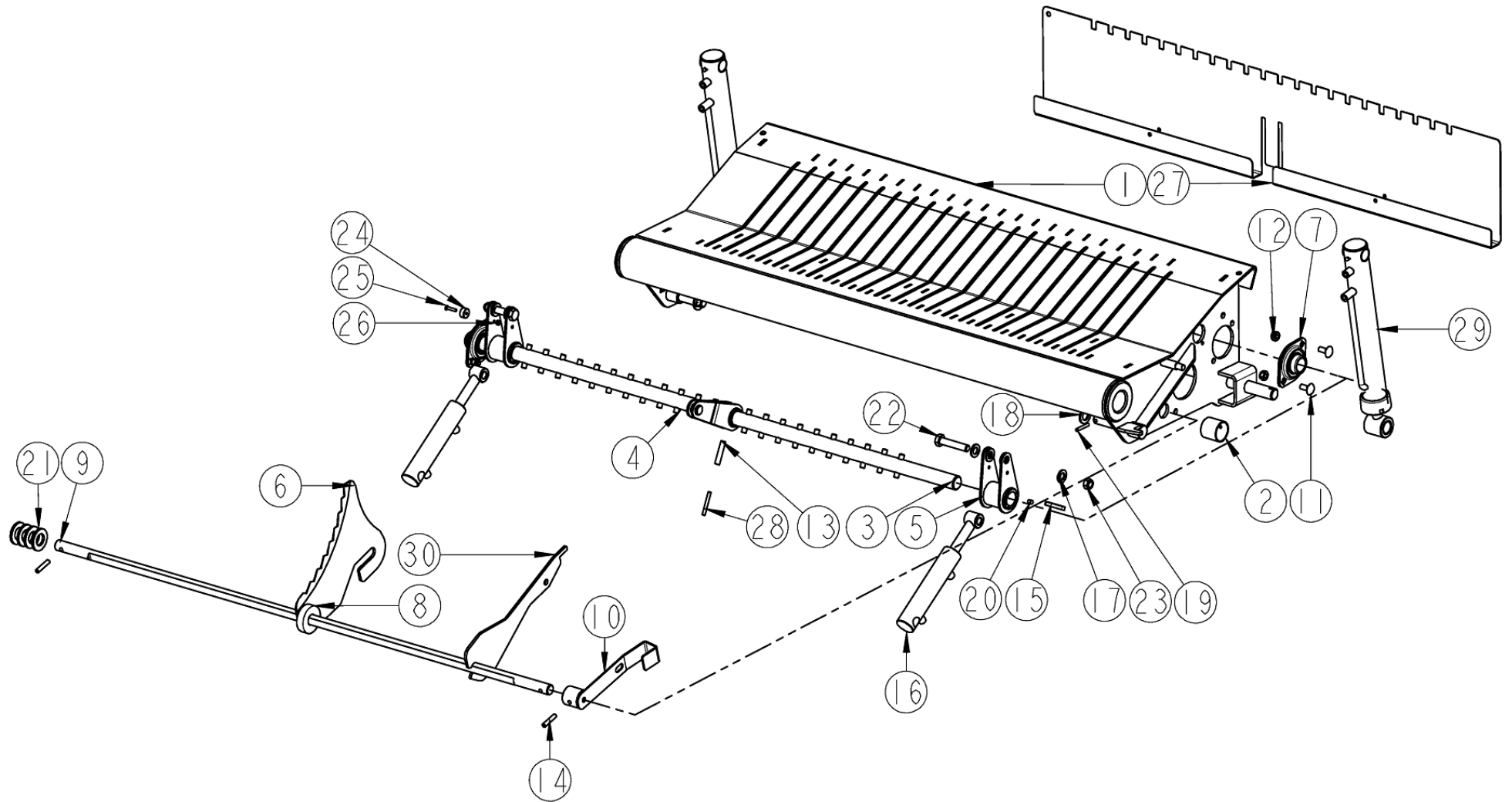




No.	Part No	Description	Qty
1	ACH00297	CHOPPER CHASSIS COMP WELD ASSY	1
2	ACH00321	PIN CHOPPER FLOOR HINGE ZP	2
3	ACH00317	ROTOR WELD ASSY	1
3a	CZF02684	6MML ROTOR PLATE (23-25 KNIFE)	AR
REPLACEMENT ROTOR FINGER PLATE (NOTE: THERE ARE 2 FINGER PLATES PER FLIGHT)			
4	CZD02287	4MM L AUGER CLEANING PLATE (RIGHT)	1
5	CZD02227	4MM L CHOPPER UNIT PART	1
6	ACH00324	COMB WELD ASSY.	1
7	ACH00325	AUGER COMPLETE ASSY. (LEFT)	1
8	ACH00314	AUGER ASSY. (LEFT)	1
9	CBR00076	BEARING 6008 2RS	1
10	ACH00423	BEARING HOUSING WELD ASSY.	1
11	CBR00001	BEARING 6007 2RS	1
12	CMH00633	SPROCKET 3/4" PITCH 19T DOUBLE	1
13	CFA00239	KEY 10X8X40	1
14	CXT00259	TUBE 42.4X3X16	1
15	CFA00625	M10 x 20 GRUBSCREW	1
16	ACH00328	AUGER COMPLETE ASSY. (RIGHT)	1
17	ACH00335	CHAIN TENSIONER COMP. ASSY.	1
18	ARC00181	ROTOR SEAL RING ASSY M10	2
19	CMH00872	SPROCKET 3/4" 32T	1
20	CMT00110	SHEAR BOLT FLANGE WELD ASSY	1
21	CFA00055	BOLT M8X35 ZP	1
22	CFA00132	NUT M8 NYLOC ZP	1
23	CBR00108	BEARING GLACIER PM 6040 DX	1
24	CFA00513	CIRCLIP 60MM EXTERNAL	1
25	CFA00637	SHIM 60X70X1	2
26	CFA00559	GRUBSCREW M10X12	1
27	CFA00118	GREASE NIPPLE M8X1.25 STRAIGHT	1
28	CFA00442	SETSCREW M10X25 CUP SQ	12
29	CFA00123	NUT M10 NYLOC	26
30	CFA00384	BOLT M12X80	4
31	CZD00121	4MM L CUT & TIE SPACER ZP	1
32	CFA00137	WASHER SPRING 10MM H.D ZP	2
33	CFA00027	BOLT M1 OX60 ZP	1
34	CFA00250	WASHER SKM12	4
35	CZB02160	1.5MM L SPUR GEAR GUARD BALER	1
36	CGD00057	GUARD SLIP CLUTCH PICKUP REEL	1
37	CPL00043	PLASTIC CHAIN TENSIONER (REEL)	1
38	CHY02120	STEEL PIPE ASSY PICK UP REEL	1
39	CMH00768	PIN 20X120 & 2 M8 THREADS	1
40	CFA00249	WASHER SKM8	10
41	CFA00102	SETSCREW M8X25 ZP	6
42	CFA00101	SETSCREW M8X16 ZP	6
43	CFA00106	BOLT M8X45 ZP	2
44	CFA00542	OILER FITTING 90 DEG 1/8" BSP	1
45	CZH02584	10MM L WASHER 40X10.5 ZP	2
46	CFA00330	BOLT M12X80 ZP	1
47	CFA00125	NUT M12 ZP	1

No.	Part No	Description	Qty
48	CZF02215	6MM L WASHER 10.5X50X6 ZP	2
49	CFA00075	BOLT M10X75 ZP	1
50	CFA00068	BOLT M1 OX25 CUP SQ. ZP	7
51	CFA00512	SHIM 35X45X1.0 ZP	3
52	CFA00514	CIRCLIP 35MM EXTERNAL	2
53	CFA00550	ROTOR BEARING GREASE FITTING	2
54	CBR00104	BEARING INA TME 40 GE 40 KPPB3	1
55	CFA00311	SETSCREW M1 OX35 ZP	4
66	CZF02904	6MM L GUARD BRACKET BALER	2
57	CFA00553	GREASE NIPPLE M6X1.0 45 DEG	1
58	CFA00081	KEY 10X8X45	1

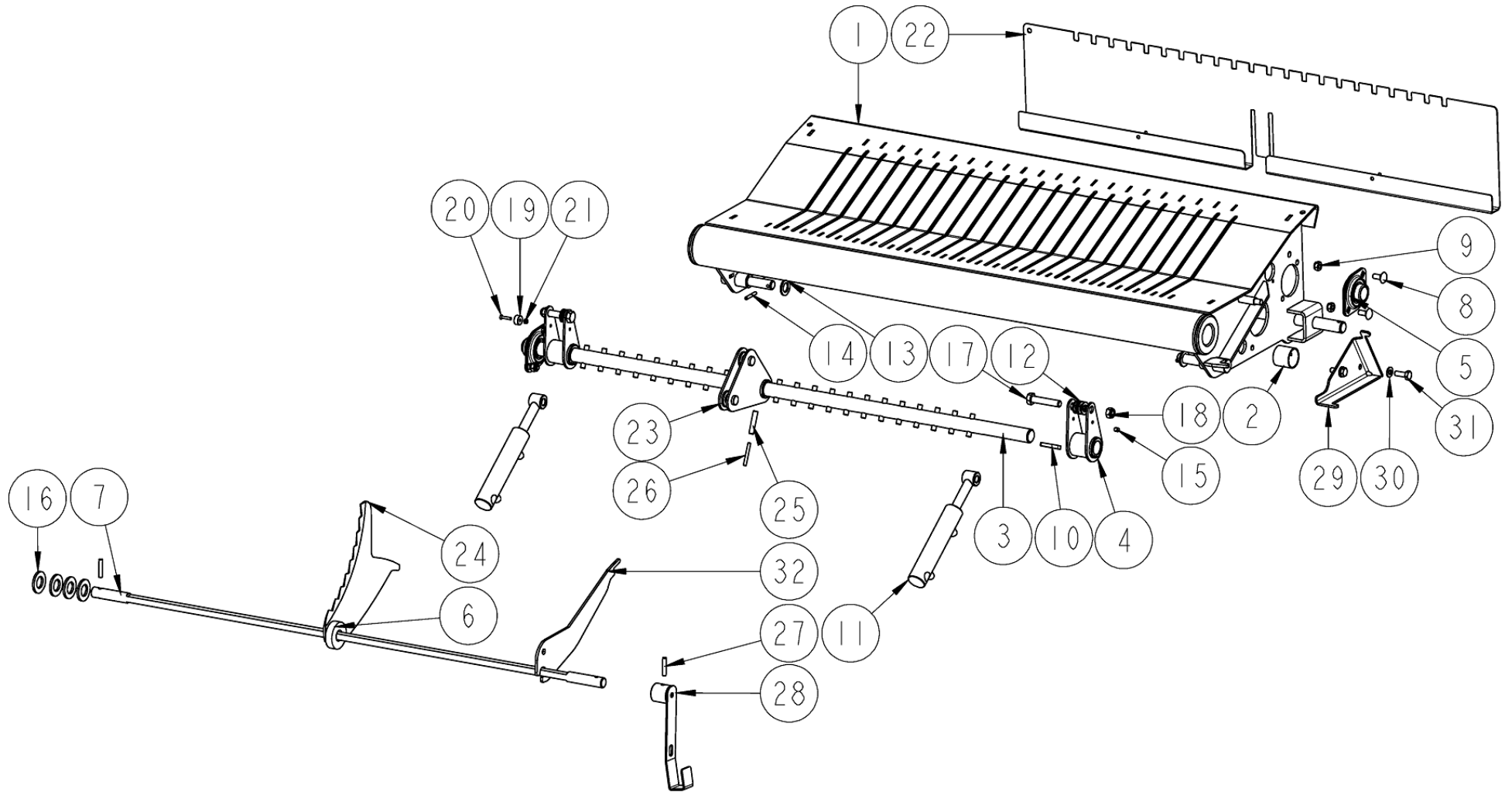
**Pick-up drop floor (59)**



No.	Part No	Description	Qty
1	ACH00299	CHOPPER KNIFE FLOOR WELD ASSY	1
2	CBR00018	BEARING GLACIER PM 4040	2
3	CMH00639	SHAFT30X1320	1
4	ACH00316	KNIFE PIVOT ARM ASSY	23
5	ACH00315	KNIFE RAM PIVOT ARM ASSY	2
6	CKN00014	KNIFE CHOPPER UNIT	23
7	CBR00072	BEARING INA 2 BOLT RAE 30 NPPB	2
8	CEL00154	MAGNET 60 X24 X 17	23
9	CMH00641	SHAFT 7/8"X1310	1
10	ACH00323	KNIFE RELEASE LEVER ASSY	1
11	CFA00068	BOLT M1 0X25 CUP SQ. ZP	4
12	CFA00123	NUT M10 NYLOC	4
13	CFA00515	ROLL PIN M10X50	23
14	CFA00009	ROLL PIN 8X40	2
15	CFA00387	KEY 8X7X50	2
16	CRA00185	RAM KNIFE ACTUATION BW	2
17	CFA00222	WASHER FLAT 14MM ZP	8
18	CFA00413	WASHER FLAT 20MM ZP	2
19	CFA00073	ROLL PIN 6X40	2
20	CFA00051	GRUBSCREW M8X10	2
21	CFA00135	WASHER FLAT 1" ZP	4
22	CFA00547	BOLT M14X70 ZP	2
23	CFA00126	NUT M14 NYLOC	2
24	CEL00059	MAGNET 20 X 10 260369	1
25	CFA00261	SETSCREW M5X25 CSK HEX SS	1
26	CFA00348	NUT M5 NYLOC SS	1
27	CZB02203	1.5MM L GRASS GUARD CHOPPER	1
28	CFA00649	ROLL PIN 6X50	23
29	CRA00193	RAM CHOPPER FLOOR 20X40 BW	2
30	CZE00143	5MM L KNIFE BLANK BALER	1

No.	Part No	Description	Qty
-----	---------	-------------	-----

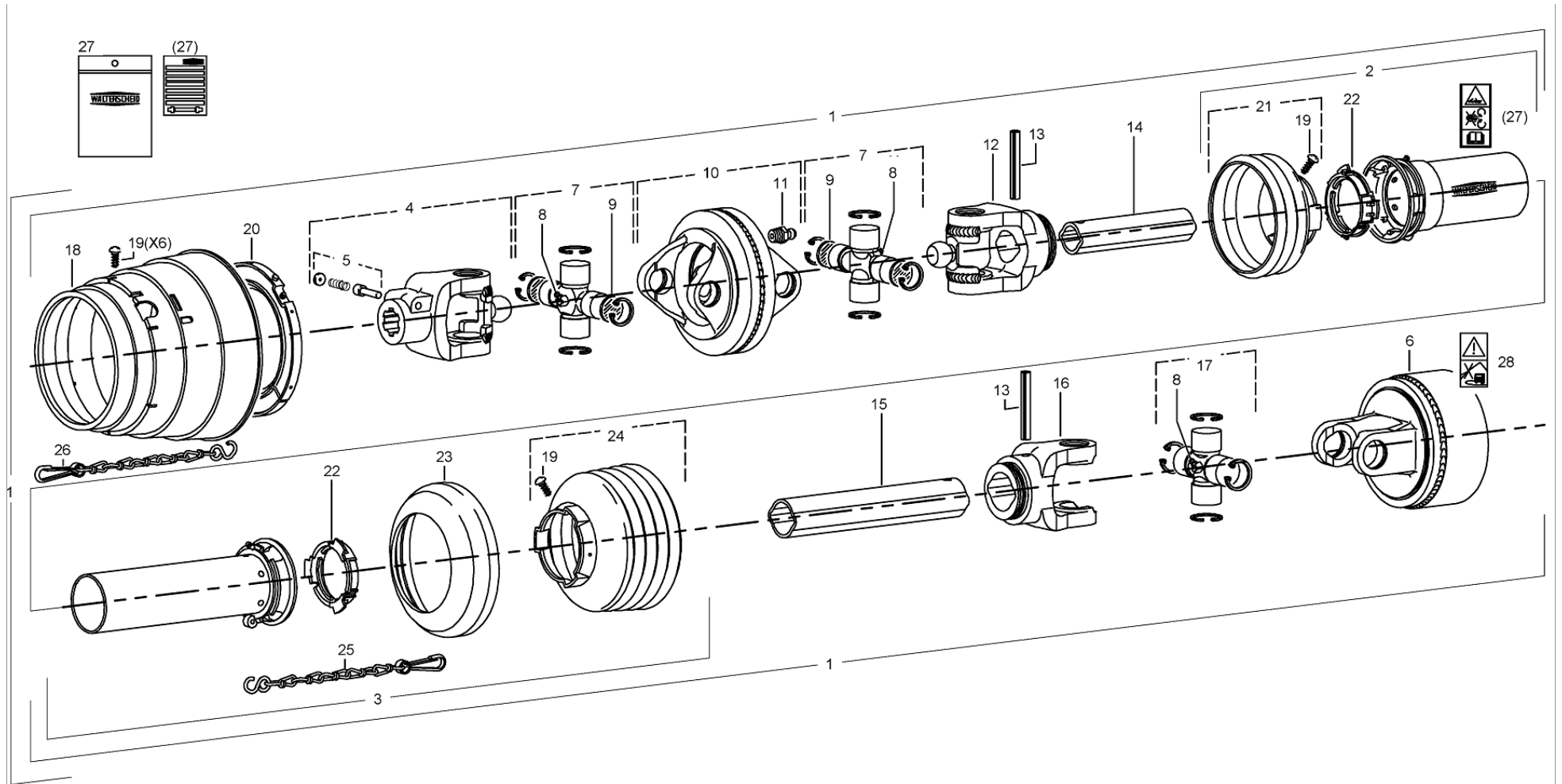
**Pick-up drop floor [german] (60)**



No.	Part No	Description	Qty
1	ACH00299	CHOPPER KNIFE FLOOR WELD ASSY	1
2	CBR00018	BEARING GLACIER PM 4040	2
3	CMH00639	SHAFT30X1320	1
4	ACH00315	KNIFE RAM PIVOT ARM ASSY	2
5	CBR00072	BEARING INA 2 BOLT RAE 30 NPPB	2
6	CEL00154	MAGNET 60 X24 X 17	23
7	CMH00641	SHAFT 7/8"X1310	1
8	CFA00068	BOLT M10X25 CUP SQ. ZP	4
9	CFA00123	NUT M10 NYLOC	6
10	CFA00387	KEY 8X7X50	2
11	CRA00185	RAM KNIFE ACTUATION BW	2
12	CFA00222	WASHER FLAT 14MM ZP	8
13	CFA00413	WASHER FLAT 20MM ZP	2
14	CFA00073	ROLL PIN 6X40	2
15	CFA00051	GRUBSCREW M8X10	2
16	CFA00135	WASHER FLAT 1" ZP	4
17	CFA00547	BOLT M14X70 ZP	2
18	CFA00126	NUT M14 NYLOC	2
19	CEL00059	MAGNET 20 X 10 260369	1
20	CFA00261	SETSCREW M5X25 CSK HEX SS	1
21	CFA00348	NUT M5 NYLOC SS	1
22	CZB02203	1.5MM L GRASS GUARD CHOPPER	1
23	ACN00025	KNIFE HOLDER FOR GERMAN FLOOR	1
24	CKN00016	KNIFE FOR GERMAN DROP FLOOR	1
25	CFA00515	ROLL PIN M10X50	23
26	CFA00649	ROLL PIN 6X50	23
27	CFA00009	ROLL PIN 8X40	2
28	ACH00323	KNIFE RELEASE LEVER ASSY	1
29	CZD02356	4MM L LOCK BRACKET FOR GERMAN	1
30	CFA00201	WASHER FLAT 10 MM ZP	4
31	CFA00025	SETSCREW M10X30	2
32	CZE00168	5MM L KNIFE BLANK (GERMAN)	1

No.	Part No	Description	Qty
-----	---------	-------------	-----

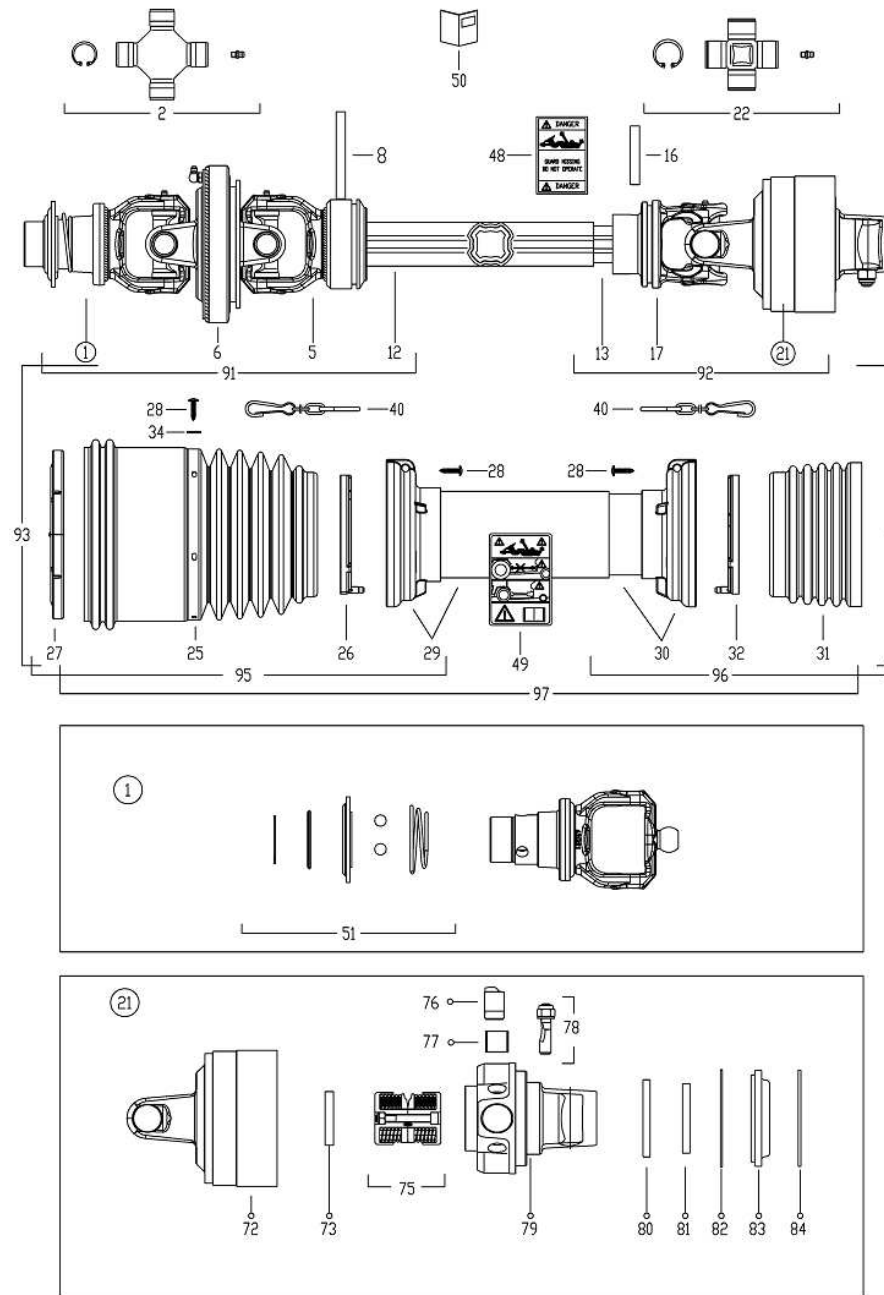
# PTO shaft [walterscheid] (49)



No.	Part No	Description	Qty
1	CMT00062	PTO SHAFT BW	1
2	CMT00079	GUARD OUTER HALF FUSION PTO	1
3	CMT00080	GUARD INNER HALF FUSION PTO	1
4	CMT00081	YOKE QUICK-DISCONNECT FUSION	1
5	CMT00082	PIN QUICK-DISCONNECT CPL	1
6	CMT00083	CLUTCH CAM TYPE FUSION	1
7	CMT00084	UNIVERSAL JOINT TYPE 1 FUSION	2
8	CFA00627	GREASE NIPPLE M8X1 90°	3
9	CMT00085	PLATE DIA 26.95X2 FUSION PTO	4
10	CMT00086	YOKE DOUBLE WITH GREASE NIPPLE	1
11	CFA00628	GREASE NIPPLE M8X1 STRAIGHT	1
12	CMT00087	YOKE INNER SMALL PROFILE TUBE	1
13	CFA00629	SPLIT PIN 10X80	2
14	CMT00088	SMALL PROFILE TUBE FUSION PTO	1
15	CMT00089	LARGE PROFILE TUBE FUSION PTO	1
16	CMT00090	INNER YOKE LARGE PROFILE TUBE	1
17	CMT00091	UNIVERSAL JOINT TYPE 2 FUSION	1
18	CMT00092	GUARD CONE PRIMARY FUSION PTO	1
19	CFA00630	SCREW M4X10 FUSION PTO	8
20	CMT00093	BEARING RING LARGE DIA. FUSION	1
21	CMT00094	GUARD CONE PTO FUSION	1
22	CMT00095	BEARING RING SMALL FUSION PTO	2
23	CMT00096	REINFORCEMENT COLLAR FUSION	1
24	CMT00097	GUARD CONE FUSION PTO	1
25	CCH00046	SAFETY CHAIN 400MM FUSION PTO	1
26	CCH00047	SAFETY CHAIN 600MM FUSION PTO	1
27	CST00132	DECAL WARNING FUSION PTO	1
28	CST00133	DECAL NO HIGH PRESSURE CLEANER	1

No.	Part No	Description	Qty
-----	---------	-------------	-----

**PTO shaft [bondioli] (50)**

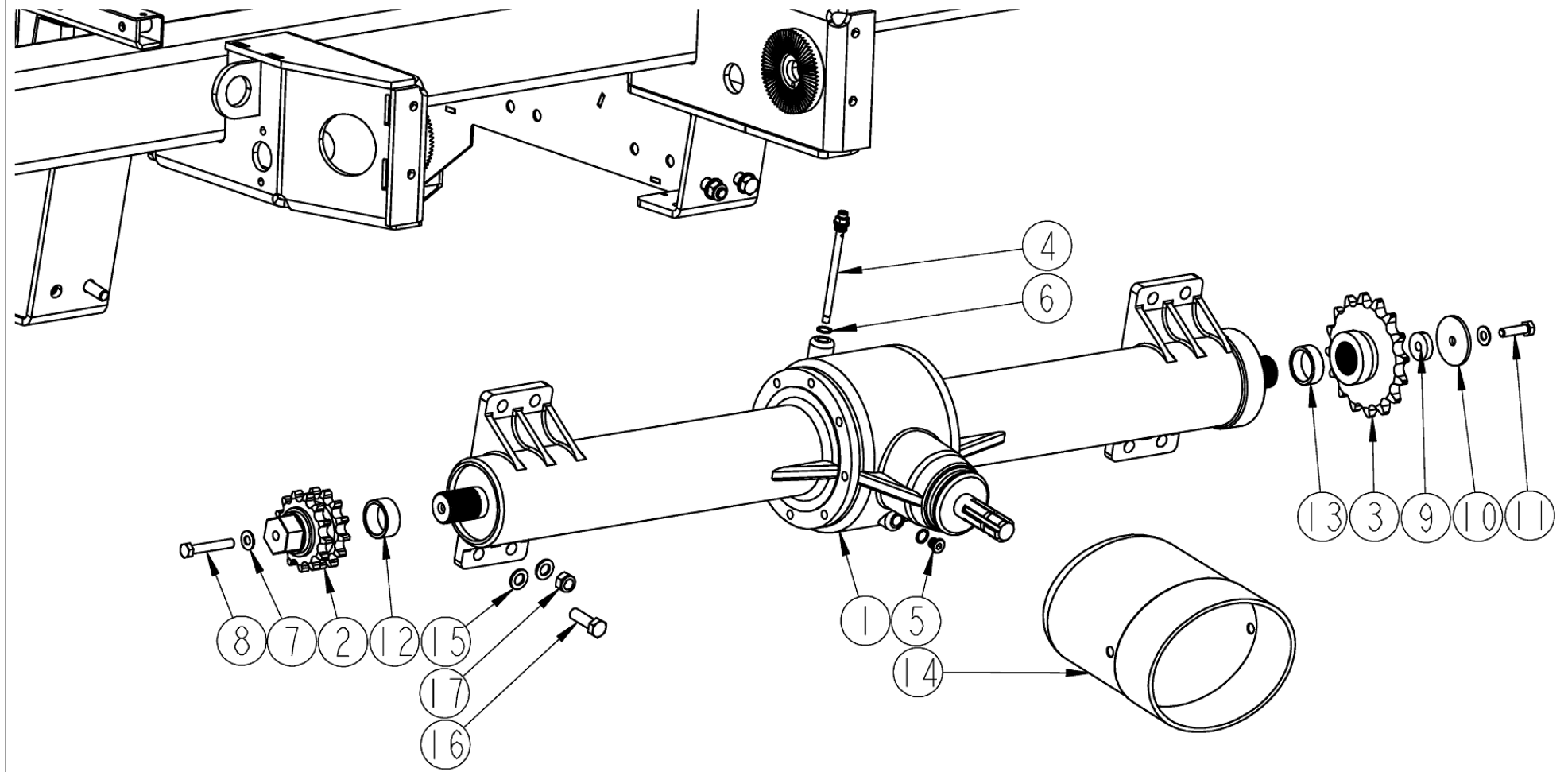




No.	Part No	Description	Qty
1	CMT00108	YOKE QUICK DISCONNECT	1
2	CMT00119	COMPLETE CROSS JOURNAL	1
5	CMT00120	YOKE TUBE OUTER	1
6	CMT00121	CENTRAL BODY	1
8	CFA00693	ROLL PIN 10X95	1
12	CMT00122	OUTER RILSAN TUBE	1
13	CMT00123	INNER RILSAN TUBE	1
16	CFA00694	FLEXIBLE ROLL PIN	1
17	CMT00124	YOKE TUBE INNER	1
21	CMT00125	TORQUE LIMITER	1
22	CMT00126	COMPLETE CROSS JOURNAL	1
25	CMT00127	SHIELD CONE	1
26	CMT00128	SHIELD BEARING S6 OUTER YOKE	1
27	CMT00129	RING BEARING	1
28	CFA00695	SCREW FUSION PTO	12
29	CMT00130	GUARD CONE	1
30	CMT00131	GUARD CONE	1
31	CMT00132	SHIELD CONE	1
32	CMT00133	SHIELD BEARING S6 INNER YOKE	1
34	CFA00696	WASHER	6
40	CCH00151	SHIELD CHAINS	2
48	CST00602	DANGER LABEL - OUTER DRIVE TUBE	1
49	CST00603	CE LABEL - DANGER DECAL OUTER SLEEVE	1
50	CLT00038	BOOKLET OPERATOR MANUAL SFT	1
51	CMT00134	BALL COLLAR KIT	1
72	CMT00135	CLUTCH HOUSING	1
73	CMT00136	RING	1
75	CMT00137	KIT FOR SPRING PACK	1
76	CMT00138	PLUG CLUTCH RATCHET	1
77	CMT00139	SLEEVE BUSHING RATCHET	1
78	CMT00140	PIN	1
79	CMT00141	HUB	1
80	CMT00142	RING	1
81	CMT00143	RING	1
82	CMT00144	OR RING	1
83	CMT00145	QR COVER PART	1
84	CMT00146	ELASTIC RING	1
91	CMT00147	OUTER SHAFT ASSEMBLY	1
92	CMT00148	INNER SHAFT ASSEMBLY	1
93	CMT00149	OUTER SHAFT ASSEMBLY WITH SHIELD	1
94	CMT00150	INNER SHAFT ASSEMBLY WITH SHIELD	1
95	CMT00151	OUTER SHIELD	1
96	CMT00152	INNER SHIELD	1
97	CMT00153	COMPLETE SHIELD	1

No.	Part No	Description	Qty
-----	---------	-------------	-----

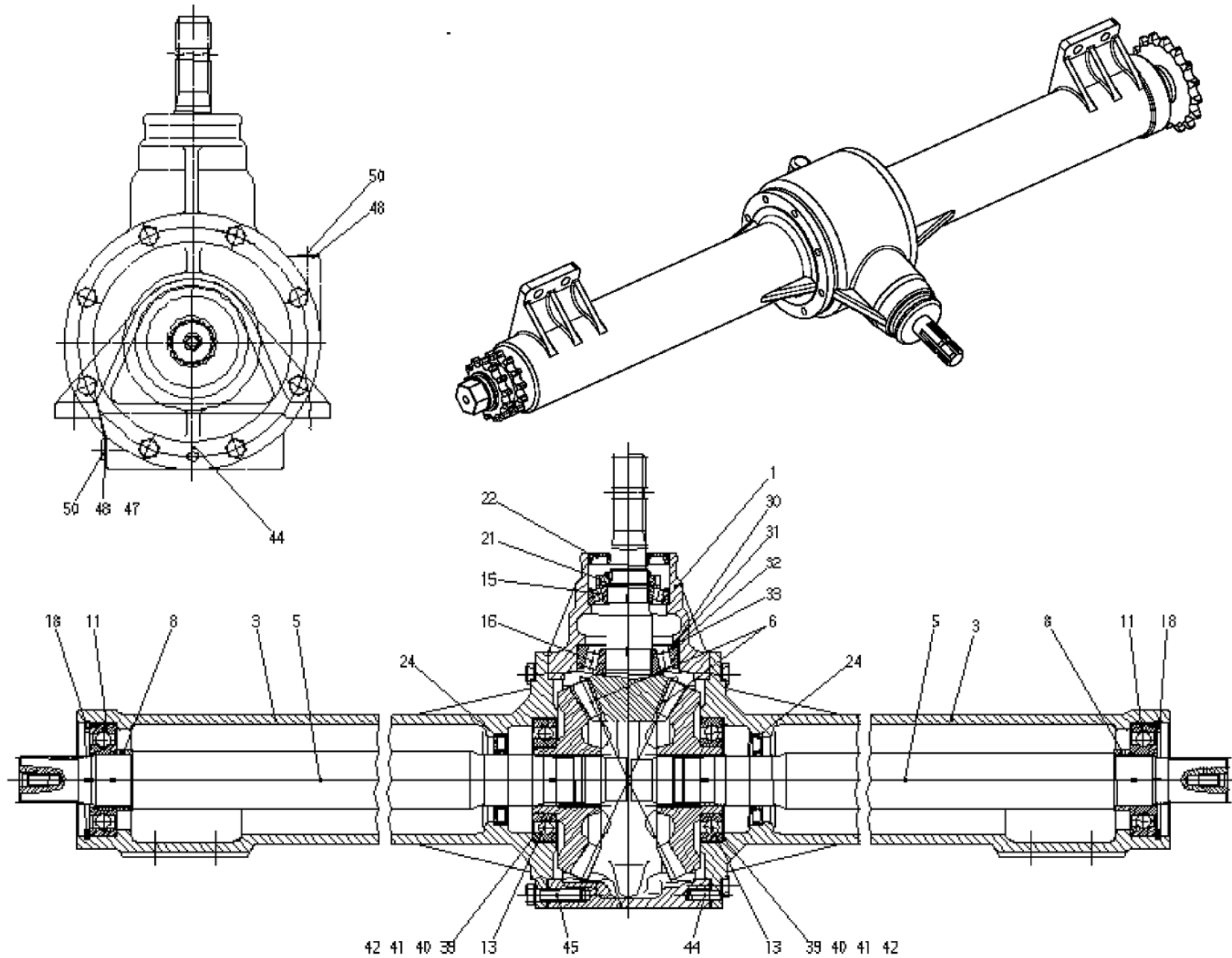
# Gearbox 1 (47)



No.	Part No	Description	Qty
1	CMT00057	GEAR BOX BALER	1
2	ARC00057	SPROCKET 13T DUPLEX ASSY	1
3	CMH00483	SPROCKET 1 1/4" PITCH 16T	1
4	CMT00072	FUSION GEARBOX BREATHER	1
5	CMT00073	DRAIN PLUG GEARBOX FUSION	1
6	CSE00127	SEAL O-RING COPPER GEARBOX FUSION	2
7	CFA00250	WASHER SKM12	2
8	CFA00330	BOLT M12X80 ZP	1
9	CZH02119	10MM L WASHER 10X40X12	1
10	CZE00115	BALE SPLITTER WASHER	1
11	CFA00065	SETSCREW M12X45 ZP	1
12	CMH00811	BUSH 45X55X23	1
13	CMH00810	BUSH 45X55X18	1
14	CGD00037	GUARD WAL TERSCHIED GEARBOX	1
15	CFA00140	WASHER FLAT 16MM ZP	16
16	CFA00116	BOLT M16X50 ZP	8
17	CFA00128	NUT M16 NYLOC	8

No.	Part No	Description	Qty
-----	---------	-------------	-----

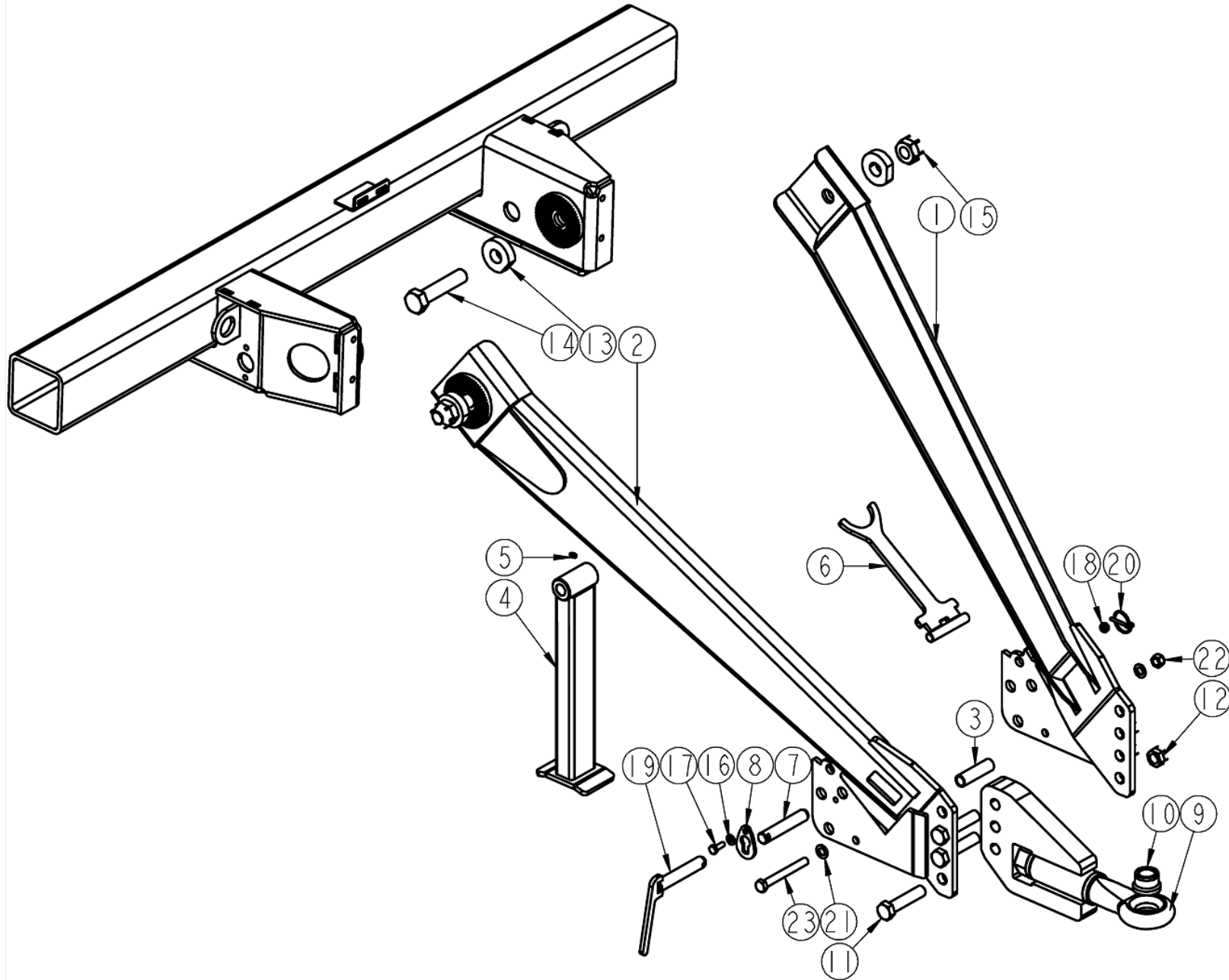
**Gearbox 2 (48)**



No.	Part No	Description	Qty
1	CMT00100	GEAR CASE	1
3	CBR00112	BEARING HOUSING	2
5	CMH00901	SHAFT MAIN	2
6	CMH00902	BEVEL GEAR SET	1
8	CMH00903	BUSH	2
11	CBR00113	BEARING 6310 2RSR	2
13	CBR00114	BEARING 6213 C3	2
15	CBR00115	TAPER ROLLER BEARING 3020 8A	1
16	CBR00116	TAPER ROLLER BEARING 3030 9A	1
18	CFA00652	CIRCLIP 110X4	2
21	CFA00653	SLOTTED ROUND NUT M40X1.5	1
22	CSE00132	RADIAL SEAL 35X80X10	1
24	CSE00133	RADIAL SEAL 50X90X10	2
30	CFA00654	SHIM 90X100X0.1	2
31	CFA00655	SHIM 90X100X0.3	1
32	CFA00656	SHIM 90X100X0.5	1
33	CFA00657	SHIM 90X100X1	1
39	CFA00658	SHIM 110X120X0.1	2
40	CFA00659	SHIM 110X120X0.3	2
41	CFA00660	SHIM 110X120X0.5	2
42	CFA00661	SHIM 110X120X1.0	1
44	CFA00662	CYLINDRICAL DOWEL M6X32	2
45	CFA00065	HEXAGON HEADED SCREW	16
47	CMT00072	BREATHER SCREW	1
48	CSE00127	COPPER GASKET 16X20	2
50	CMT00073	HEXAGON HEAD PLUG	2

No.	Part No	Description	Qty
-----	---------	-------------	-----

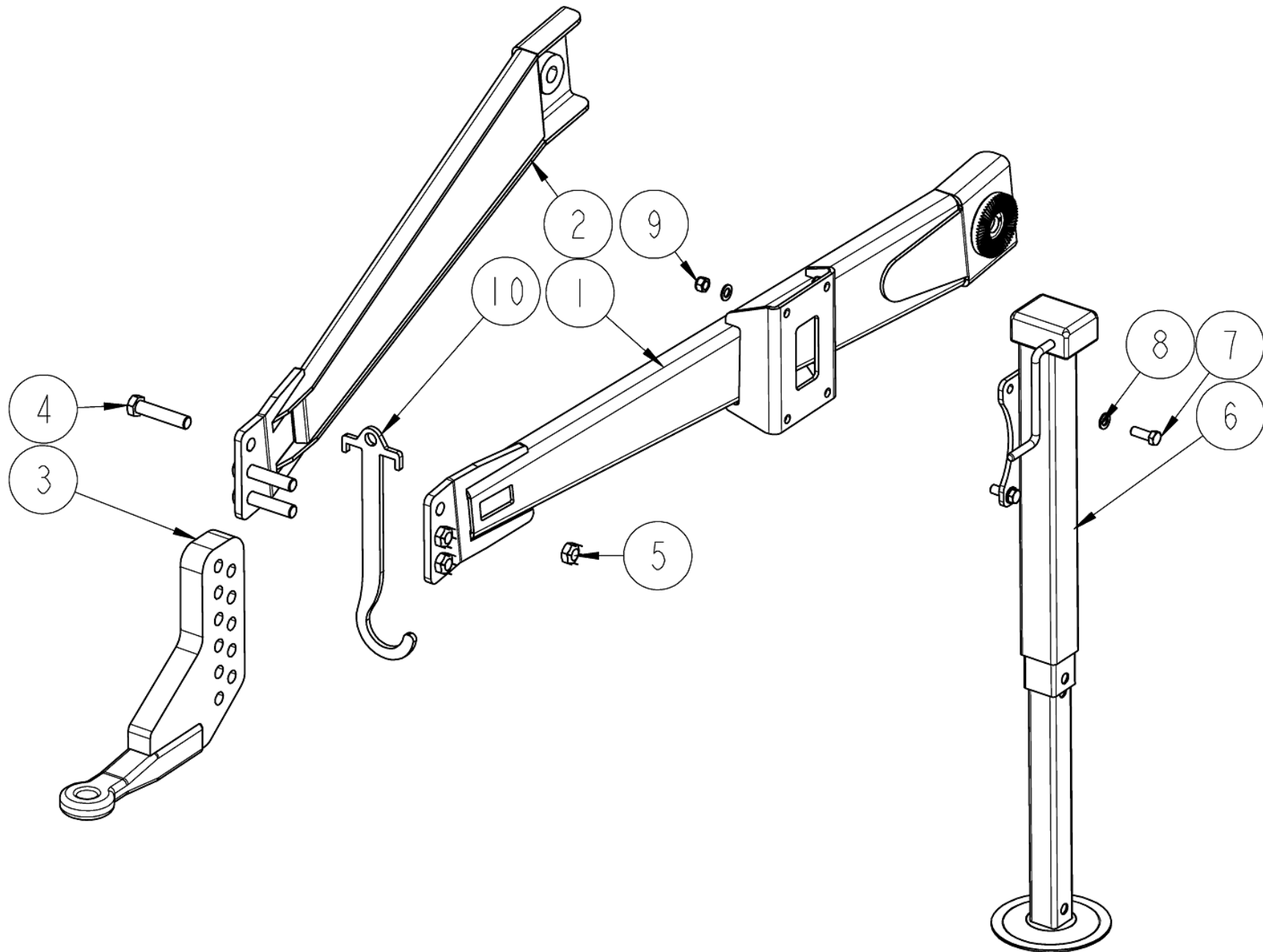
**Drawbar (45)**



No.	Part No	Description	Qty
1	ADB00026	DRAWBAR FRAME ASSY LEFT BALER	1
2	ADB00035	DRAWBAR FRAME ASSY RIGHT BALER	1
3	CXT00256	TUBE 26.9X95	1
4	ADB00030	DRAWBAR STAND BALER	1
5	CFA00118	GREASE NIPPLE M8X1.25 STRAIGHT	1
6	ADB00033	DRIVE SHAFT STAND BALER	1
7	CMH00675	PIN 25 X 140 MILLED FOR CAP ZP	1
8	CZF00293	6MM L CAP SHORT FOR 25MM PINS	1
9	CTP00072	HITCH EYE ASSY BALER SWIVEL	1
10	CMH00818	BUSH 32X60 HITCH EYE BALER	1
11	CFA00571	BOLT M24X110 METRIC FINE THREAD	3
12	CFA00419	NUT M24X2 NYLOC FINE THREAD	3
13	CZL02018	20MM L DRAWBAR PART BALER	2
14	CFA00522	BOL T M30X140 METRIC FINE THREAD	2
15	CFA00420	NUT M30X2 NYLOC FINE THREAD	2
16	CFA00251	WASHER SKM10	1
17	CFA00025	SETSCREW M10X30	1
18	CFA00123	NUT M10 NYLOC	1
19	ADB00010	STAND LOCKING PIN 998	1
20	CFA00202	LINCH PIN 6MM	1
21	CFA00140	WASHER FLAT 16MM ZP	2
22	CFA00128	NUT M16 NYLOC	1
23	CFA00085	BOL T M16X140 ZP	1

No.	Part No	Description	Qty
-----	---------	-------------	-----

**Drawbar [german] (46)**

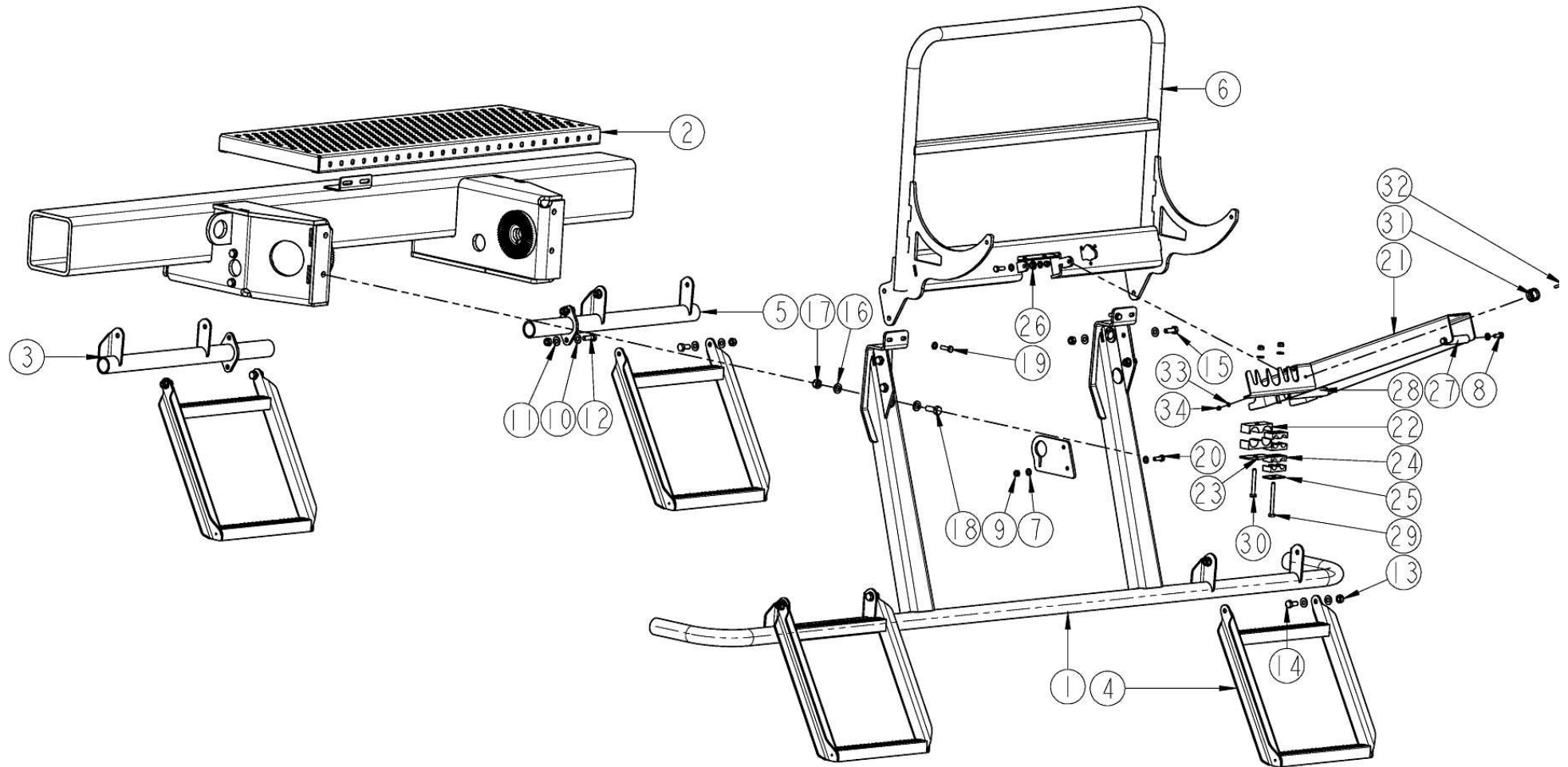




No.	Part No	Description	Qty
1	ADB00038	DRAWBAR FRAME ASSY LEFT BALER	1
2	ADB00039	DRAWBAR FRAME ASSY LEFT BALER	1
3	CTP00079	HITCH EYE ASSY GERMAN BALER	1
4	CFA00571	BOLT M24X11 0 METRIC FINE THREAD	3
5	CFA00419	NUT M24X2 NYLOC FINE THREAD	3
6	CTP00077	PARKING JACK FUSION	1
6a	CZH02643	10MM L JACK MOUNTING PLATE <i>MOUNTING PLATE WELDED TO PARKING JACK</i>	1
7	CFA00282	BOLT M16X45	4
8	CFA00140	WASHER FLAT 16MM ZP	8
9	CFA00128	NUT M16 NYLOC	4
10	CZH02761	10MM L PTO STAND GERMAN HITCH	1

No.	Part No	Description	Qty
-----	---------	-------------	-----

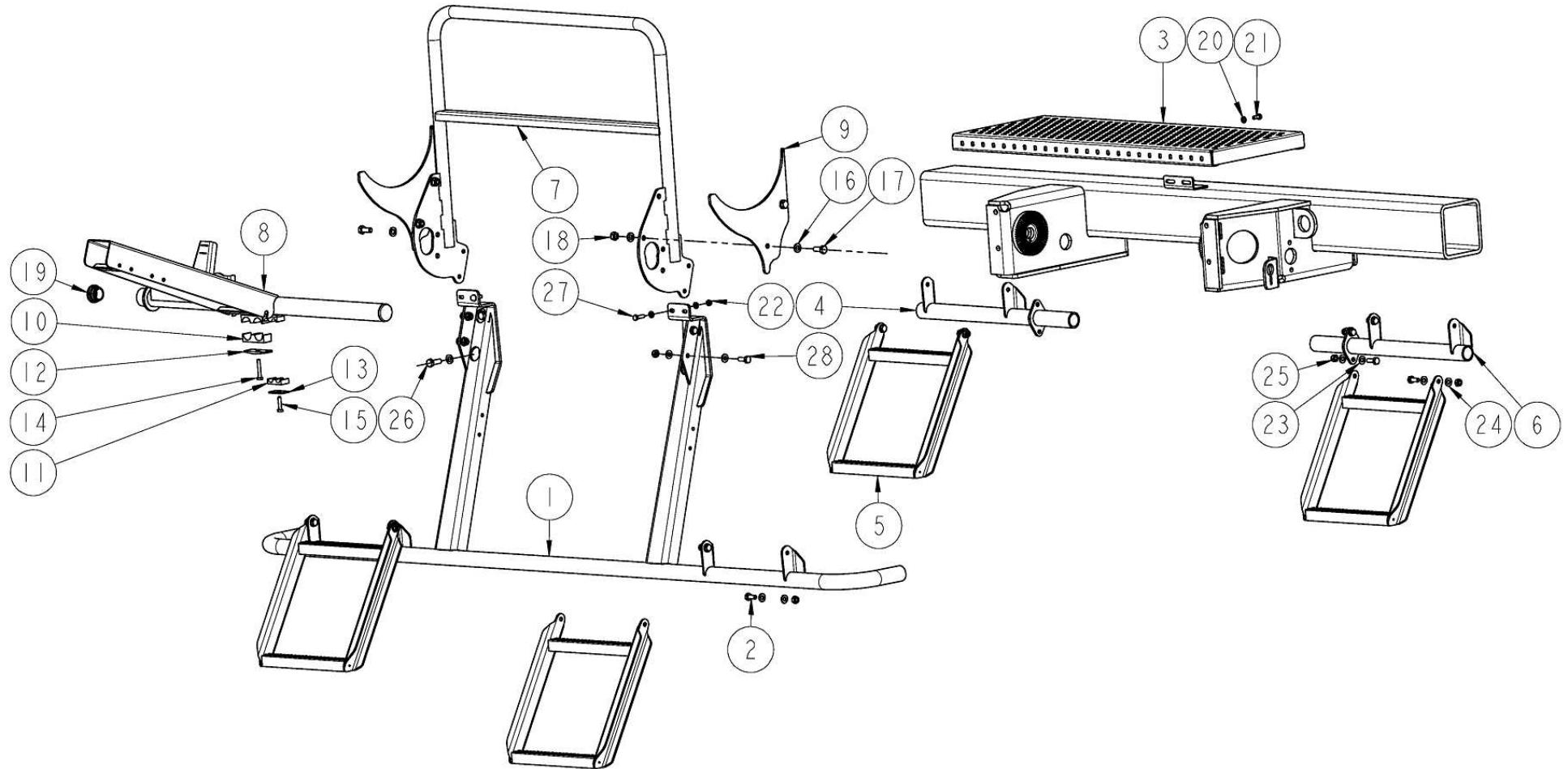
**Steps & Platform [up to serial no. 650528] (95)**



No.	Part No	Description	Qty
1	ART00090	GUARD BALER FRONT COMP. ASSY.	1
2	CTP00059	PLA TFROM BALER	1
3	ART00092	STEP TOP ASSEMBLY	1
4	ART00091	PIVOT STEP ASSEMBLY	2
5	ART00093	STEP TOP ASSEMBLY (LEFT)	1
6	ACH00398	PLATFORM GUARD RAIL ASSY	1
7	CFA00147	WASHER FLAT 8MM ZP	24
8	CFA00052	SETSCREW M8X20 ZP	6
9	CFA00132	NUT M8 NYLOC ZP	10
10	CFA00251	WASHER SKM10	4
11	CFA00201	WASHER FLAT 10 MM ZP	20
12	CFA00230	SETSCREW M10X30 ZP	4
13	CFA00123	NUT M10 NYLOC	12
14	CFA00024	SETSCREW M10X25 ZP	4
15	CFA00025	SETSCREW M10X30	4
16	CFA00138	WASHER FLAT 12MM ZP	8
17	CFA00124	NUT M12 NYLOC	4
18	CFA00033	SETSCREW M12X35 ZP	4
19	CFA00491	SETSCREW M8X30 ZP	2
20	CFA00102	SETSCREW M8X25 ZP	4
21	ACH00562	MAIN SUPPORT ASSEMBLY PIVOT	1
22	CFA00585	HOSE CLAMP 30MM (2 PER SET)	2
23	CFA00584	HOSE CLAMP COVER PLATE 30MM	1
24	CFA00182	HOSE CLAMP 16MM	4
25	CFA00183	HOSE CLAMP COVER PLATE 14MM	1
26	CMH00871	BUSH 8X20X7 ZP	2
27	CMH00869	SHAFT 20X76 M8 THREADED ENDS	1
28	CMH00870	SHAFT 20X132 M8 THREADED ENDS	1
29	CFA00057	SETSCREW M8X80 ZP	1
30	CFA00056	BOLT M8X65 ZP	1
31	CMH00873	BLANKING CAP QR ZP 1/2" FEMALE	1
32	CFA00261	SETSCREW M5X25 CSK HEX SS	1
33	CFA00337	WASHER FLAT 5MM ZP	1
34	CFA00321	NUT M5 NYLOC	1

No.	Part No	Description	Qty
-----	---------	-------------	-----

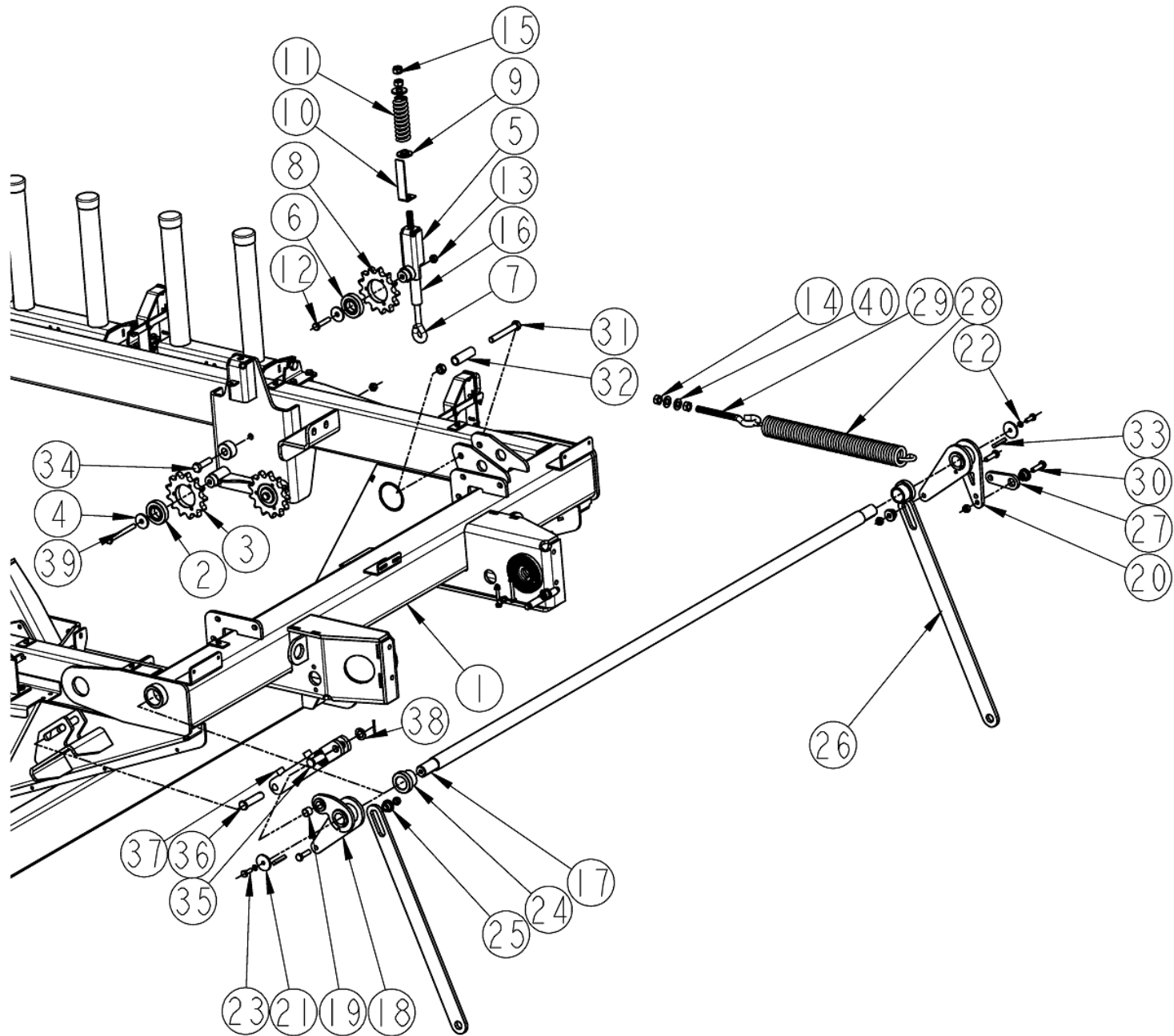
**Steps & Platform [from serial no. 650529] (96)**



No.	Part No	Description	Qty
1	ART00089	GUARD FRONT BALER WELD ASSY.	1
2	CFA00024	SETSCREW M10X25 Z/P	4
3	CTP00059	PLATFROM BALER	1
4	ART00092	STEP TOP ASSEMBLY	1
5	ART00091	PIVOT STEP ASSEMBLY	2
6	ART00093	STEP TOP ASSEMBLY (LEFT)	1
7	ACH00398	PLATFORM GUARD RAIL ASSY	1
8	ACH00842	HOSE TRAY WELD ASSY (FUSION)	1
9	CZF04235	6MM L NET ROLL HOLDER PART	2
10	CFA00585	HOSE CLAMP 30MM	2
11	CFA00182	HOSE CLAMP 16MM	2
12	CFA00584	HOSE CLAMP COVER PLATE 30MM	1
13	CFA00183	HOSE CLAMP COVER PLATE 14MM	1
14	CFA00210	SETSCREW M8X50 Z/P	1
15	CFA00055	BOLT M8X35 Z/P	1
16	CFA00138	WASHER FLAT 12MM Z/P	10
17	CFA00032	SETSCREW M12X30 Z/P	5
18	CFA00124	NUT M12 NYLOC	5
19	CPL00086	BLANKING CAP 40MM ID	2
20	CFA00147	WASHER FLAT 8MM Z/P	8
21	CFA00052	SETSCREW M8X20 Z/P	2
22	CFA00132	NUT M8 NYLOC Z/P	4
23	CFA00251	WASHER SKM10	4
24	CFA00201	WASHER FLAT 10 MM Z/P	20
25	CFA00123	NUT M10 NYLOC	12
26	CFA00033	SETSCREW M12X35 Z/P	4
27	CFA00491	SETSCREW M8X30 Z/P	2
28	CFA00025	SETSCREW M10X30	4

No.	Part No	Description	Qty
-----	---------	-------------	-----

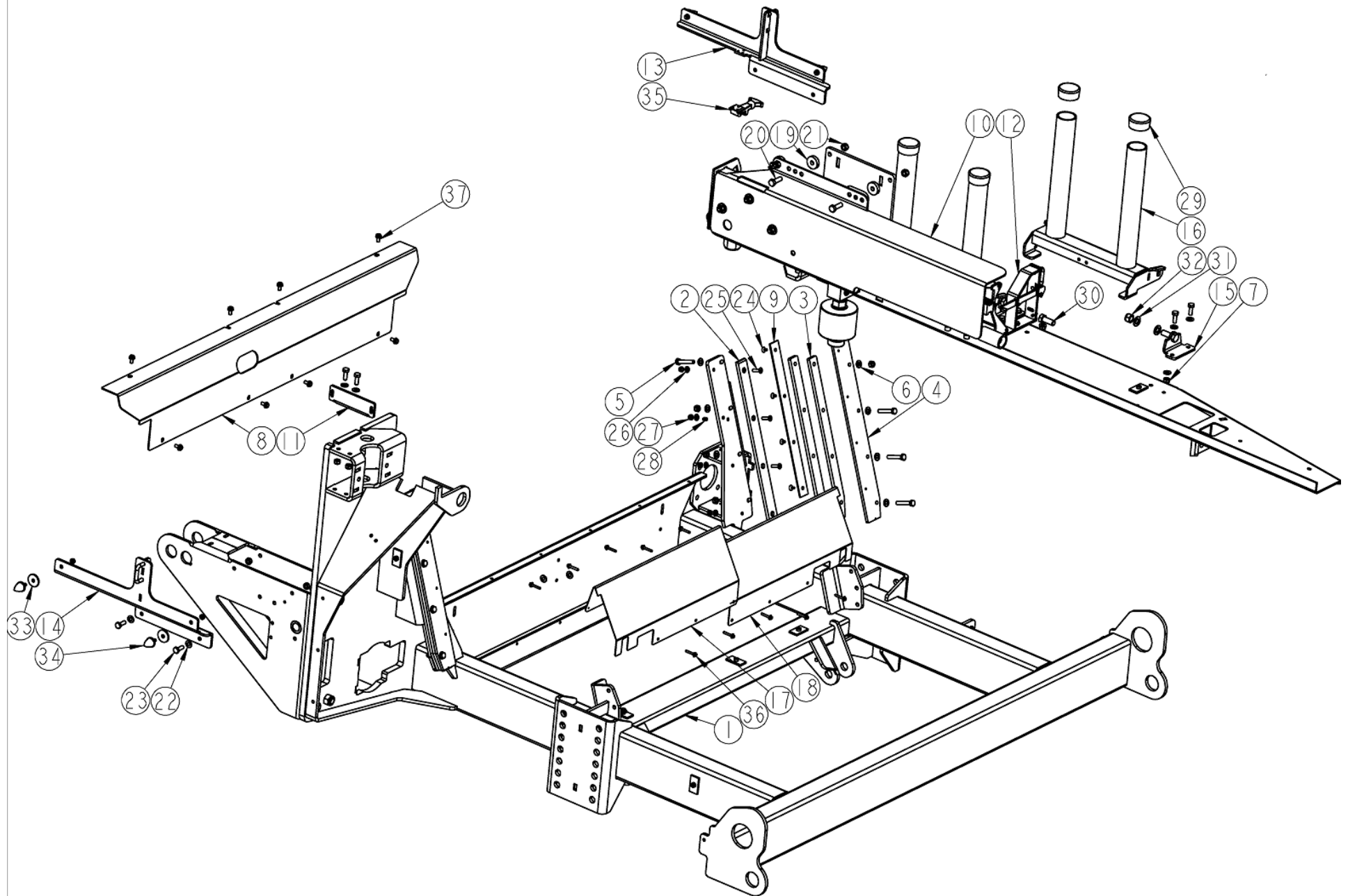
# Chassis 1 (42)



No.	Part No	Description	Qty
1	ACH00217	BALER 1 WRAPPER CHASSIS WELD ASSY	1
2	CBR00062	BEARING RADIAL 6207LLU (SKF)	2
3	CMH00463	SPROCKET 1 1/4" 13 TOOTH	2
4	CZD02186	4MM L WASHER 50X13X4	2
5	ACH00244	CHAIN TENSIONER WELD ASSY BALER	1
6	CBR00062	BEARING RADIAL 6207LLU (SKF)	1
7	CFA00672	EYE BOLT 16MM SPRING TENSIONER	1
8	CMH00463	SPROCKET 1 1/4" 13 TOOTH	1
9	CMH00464	BUSH 45X17X10 STEPPED 25	2
10	CZC02057	3MM L CHAIN TENSIONER BRCKT	1
11	CSG00025	SPRING COMPX8X43X130X10	1
12	CFA00076	BOLT M12X60 Z/P	1
13	CFA00124	NUTM12 NYLOC	1
14	CFA00231	NUT M16 Z/P	1
15	CFA00128	NUT M16 NYLOC	1
16	CMH00933	BUSH 20X30X105	1
17	CMH00770	SHAFT 40X2100 M10 KEY	1
18	ALA00042	PIVOT ARM PICKUP SUSPENSION R	1
19	CBR00096	BEARING GLACIER PM 2020 DX	1
20	ALA00043	PIVOT ARM PICKUP SUSPENSION L	1
21	CZD00121	4MM L CUT & TIE SPACER ZIP	2
22	CFA00137	WASHER SPRING 10MM HD Z/P	2
23	CFA00025	SETSCREW M1 OX30	2
24	CMH00773	BUSH 40X65 STEPPED	2
25	CMH00771	BUSH 12X35 STEPPED	3
26	CZH02587	10MM L LIFTING STAY PICKUP	2
27	CZH02589	10MM L SPRING BRACKET BALER	1
28	CSG00040	9.53MM W/DX61MM O/DX544 I/HKS	1
29	CFA00561	EYE BOLT 16MM SPRING TENSIONER	1
30	CFA00079	BOLT M12X45	3
31	CFA00209	BOLT M16X120 Z/P	1
32	CXT00291	TUBE 26.9X83	1
33	CFA00248	KEY 10X8X60	2
34	CFA00219	BOLT M16X60	1
35	CFA00569	CLEVIS PIN M20X50	1
36	CFA00570	CLEVIS PIN M20X80	1
37	CRA00199	RAM PICKUP BALER	1
38	CFA00413	WASHER FLAT 20MM Z/P	4
39	CFA00517	BOLT M12X120 Z/P	2
40	CFA00252	WASHER SKM16	2

No.	Part No	Description	Qty
-----	---------	-------------	-----

# Chassis 2 (43)

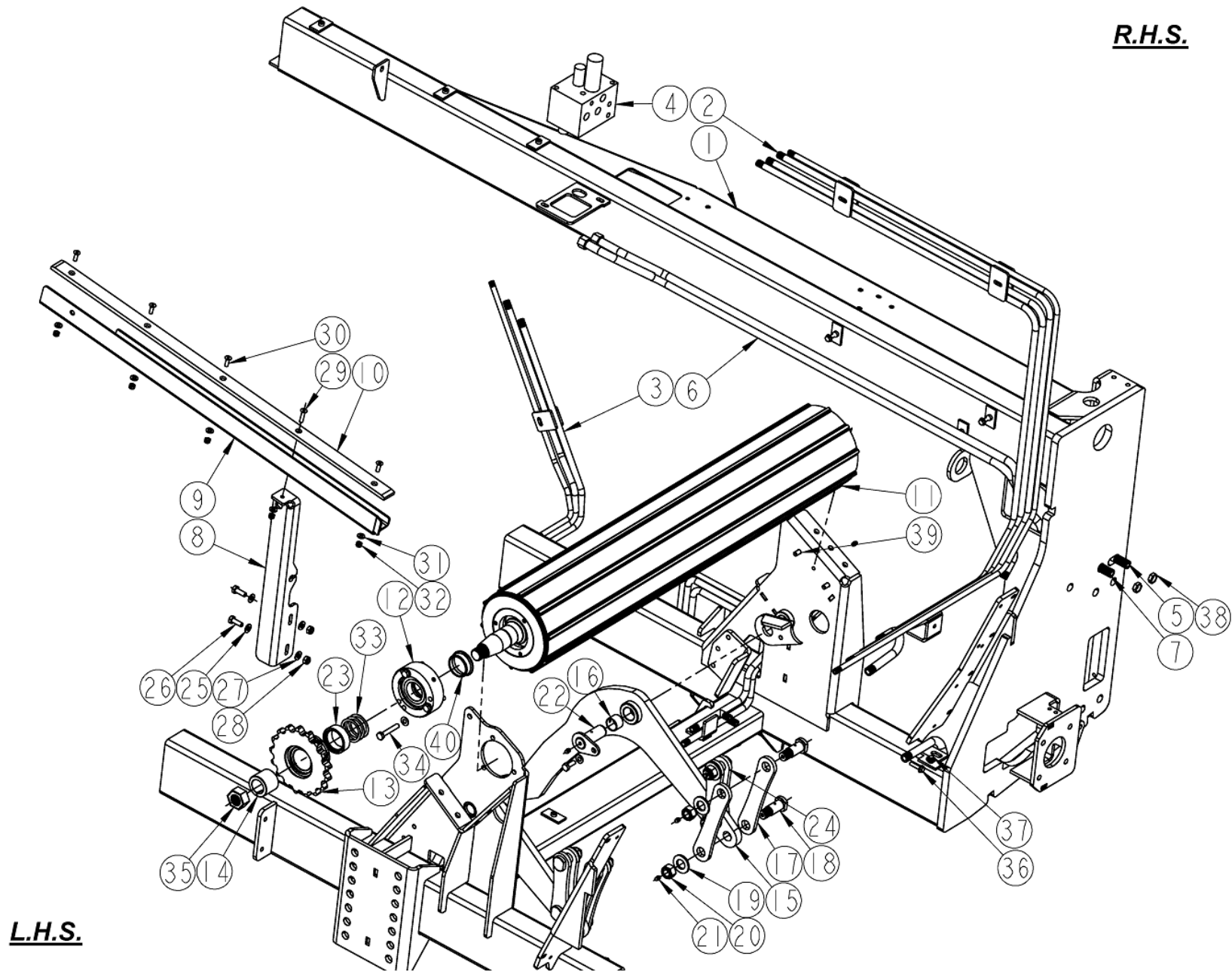




No.	Part No	Description	Qty
1	ACH00217	BALER / WRAPPER CHASSIS WELD ASSY	1
2	CMH00532	WEAR STRIP 10X50X530 PLASTIC	2
3	CZH02482	10MM L BALER CHASSIS PART	4
4	CZG02093	8MM L BALER CHASSIS PART	2
5	CFA00027	BOLT M1 OX60 ZIP	6
6	CFA00201	WASHER FLAT 10 MM ZIP	6
7	CFA00123	NUTM10 NYLOC	5
8	CZC02133	3MM L PANNEL PART BALER	1
9	CBR00090	BEARING GLACIER FLAT 500X40X3	2
10	ACT00038	CUT & HOLD BALER (LEFT)	1
11	CZF02793	6MM L CHASSIS PART BALER	2
12	ACH00411	DOOR STRIKER ASSY	1
13	ACH00412	DOOR LOCK BRACKET LEFT	1
14	ACH00413	DOOR LATCH BRACKET RIGHT	1
15	ACH00415	HINGE FILM ROLL HOLDER BALER	4
16	ADP00094	SPARE FILM ROLL HOLDER	2
17	CZB02164	1.5MM L GRASS GUARD CHASSIS	1
18	CZB02175	1.5MM L GRASS GUARD CHASSIS	1
19	CZH02119	10MM L WASHER 10X40X12	4
20	CFA00324	SETSCREW M12X40 ZP	4
21	CFA00124	NUT M12 NYLOC	4
22	CFA00251	WASHER SKM10	20
23	CFA00025	SETSCREW M10X30	16
24	CFA00044	BOLTM6X12 CSK	8
25	CFA00593	SETSCREW M8X30 CSK ZP	8
26	CFA00249	WASHER SKM8	10
27	CFA00132	NUT M8 NYLOC ZIP	15
28	CFA00118	GREASE NIPPLE M8X1.25 STRAIGHT	2
29	CBC00007	CAP BLACK PLASTIC 2.3/8" OSF	4
30	CFA00151	SETSCREW M16X40 ZP	2
31	CFA00140	WASHER FLAT 16MM ZP	4
32	CFA00128	NUT M16 NYLOC	4
33	CZD00118	4MM L CUT& TIE SPACER	4
34	CBE00028	BUFFER RUBBER 30X36 M8/27 57SH	4
35	CFA00607	BONNET CATCHER	1
36	CFA00058	TEK SCREW M6 GALV. DIPPED	10
37	CFA00519	SETSCREW M8X16 FLD ZP	8

No.	Part No	Description	Qty
-----	---------	-------------	-----

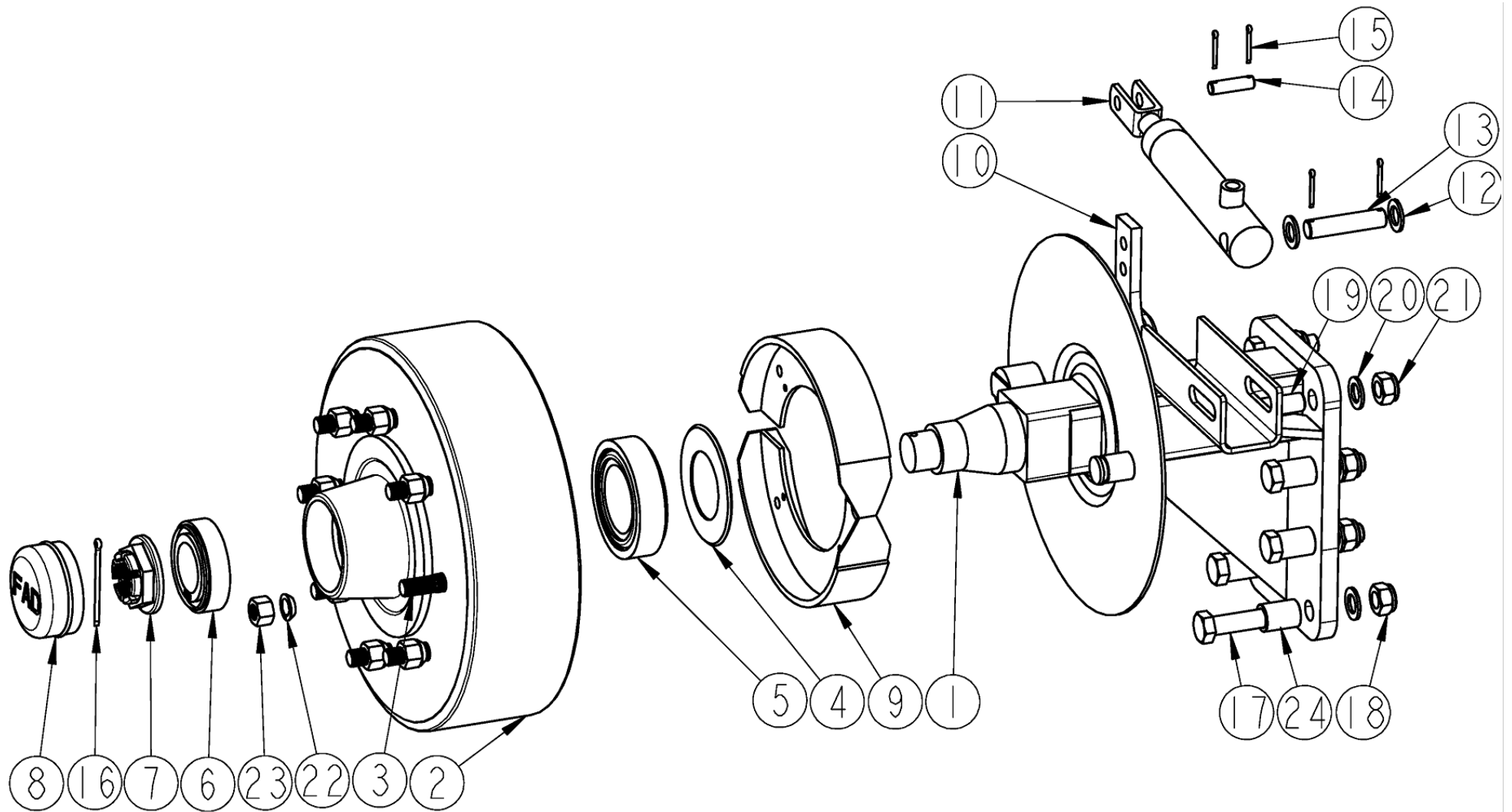
**Chassis 3 (44)**



No.	Part No	Description	Qty
1	ACH00217	BALER/WRAPPER CHASSIS WELD	1
2	CHY02131	STEEL PIPE ASSY VALVE-CHASSIS	1
3	CHY02142	STEEL PIPE ASSY BOTTOM DOOR	1
4	CVA00157	VALVE ASY ROTATION & TIP BALER	1
5	CHY02139	STEEL PIPE ASSY 1/2" CHASSIS	1
6	CHY02188	STEEL PIPE ASSY 1/2" CHASSIS	1
7	CHY02140	STEEL PIPE ASSY 1/2" CHASSIS	1
8	CZF02577	6MM L BALER CHASSIS PART	1
9	CZD02207	4MM L BALER CHAIN TRACK PART	1
10	CMH00714	WEAR STRIP 10X40X1100	1
11	ARC00028	BALER ROLLER 3 BOLT FLANGE	1
12	ART00051	BEARING COMP ASSY	1
<i>UP TO SERIAL NO. 650540</i>			
12	ART00293	BEARING COMP ASSY	1
<i>FROM SERIAL NO. 650541</i>			
13	ART00095	1 1/4" PITCH 17T SPROCKET ASSY	1
14	CMH00508	BUSH 36X58X47 TAPPER	1
15	ALA00038	LIFTARM ASSY ROLLER CRADLE	2
16	CBR00007	BEARING GLACIER PM 3025 DX	2
17	CZH02407	10MM L LINK ARM PEICE	4
18	CMH00558	PIN 25X75&M20 THREAD STEPPED	8
19	CFA00135	WASHER FLAT 1" Z/P	8
20	CFA00129	NUT M20 NYLOC	8
21	CFA00118	GREASE NIPPLE M8X1.25 STRAIGHT	11
22	ACH00426	PIN 30X80 + WELD ON CAP	2
23	CMH00736	BUSH 50X68X25 STEPPED 58	1
24	CZH02636	10MM L LINK ARM PEICE	4
25	CFA00251	WASHER SKM10	12
26	CFA00025	SETSCREW M10X30	4
27	CFA00201	WASHER FLAT 10 MM Z/P	2
28	CFA00123	NUT M10 NYLOC	4
29	CFA00581	SETSCREW M8X35 CSK ZP	1
30	CFA00582	SETSCREW M8X25 CSK ZP	4
31	CFA00249	WASHER SKM8	8
32	CFA00132	NUT M8 NYLOC Z/P	5
33	CFA00048	SHIM 50X62X1.0	3
34	CFA00028	BOLT M10X65 Z/P	3
35	CFA00401	NUT M30X2 FINE THREAD	1
36	CFA00055	BOLT M8X35 Z/P	3
37	CFA00492	SETSCREW M8X12 FLANGED Z/P	3
38	CFA00616	NUT 3/4" FUSION	2
39	CFA00311	SETSCREW M10X35 Z/P	2
40	CMH00788	BEARING ROLLER SLEEVE 50 ID	1

No.	Part No	Description	Qty
-----	---------	-------------	-----

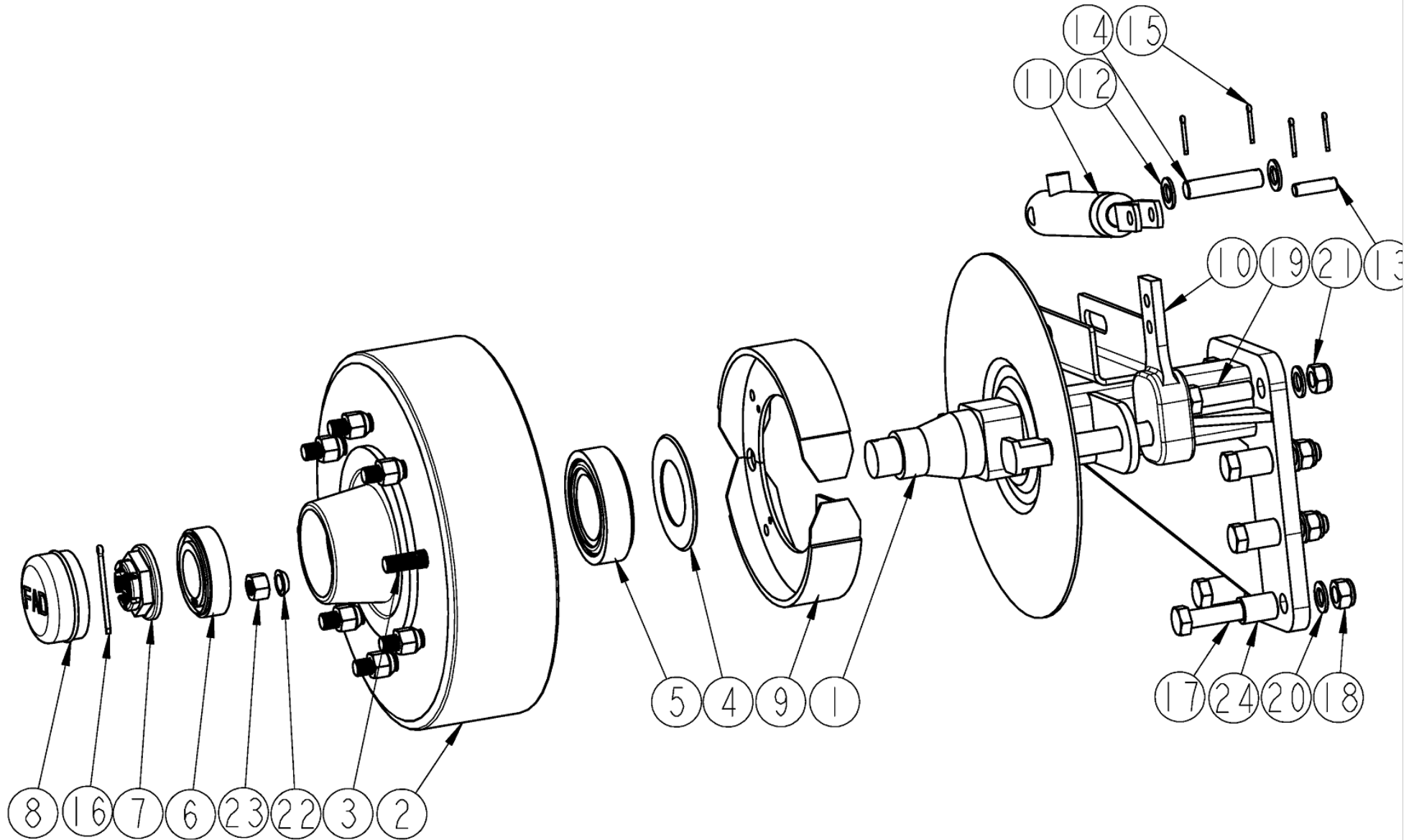
**Axle LH (51)**



No.	Part No	Description	Qty
1	CAX00054	AXLE BALER WELD ASSY. LEFT	1
2	CAX00048	BALER AXLE BRAKE HUB	1
3	CAX00055	STUD FOR AXLE B80L030D/S	8
4	CSE00014	HUB SEAL B 80L030D/S	1
5	CBR00100	BEARING WHEEL 32215 FUSION	1
6	CBR00099	BEARING WHEEL 32211 FUSION	1
7	CAX00059	HUB NUT B 80L030D/S	1
8	CAX00058	HUB CAP B 80L030D/S	1
9	CAX00060	BRAKE SHOES B 80L030D/S	2
10	CAX00061	BRAKE OPERATING LEVER FUSION	1
11	CRA00100	RAM BRAKE OPERATING 998/FUSION	1
12	CFA00413	WASHER FLAT 20MM ZP	2
13	CMH00830	PIN 20X90 &2, 4MM HOLES @ 5MM	1
14	CMH00829	PIN 14X50&2, 4MM HOLES @ 5MM	1
15	CFA00450	SPLIT PIN 4 X36 ZP	4
16	CFA00410	SPLIT PIN 6X90	1
17	CFA00565	BOLT M20X100 METRIC FINE THREAD	6
18	CFA00418	NUT M20X1.5 NYLOC FINE THREAD	6
19	CFA00346	BOLT M20X65 ZP	2
20	CFA00413	WASHER FLAT 20MM ZP	8
21	CFA00129	NUT M20 NYLOC	2
22	CAX00057	WASHER FOR AXLE B80L030D/S	8
23	CAX00056	NUT FOR AXLE B80L030D/S	8
24	CMH00470	BUSH 20X30X40	6

No.	Part No	Description	Qty
-----	---------	-------------	-----

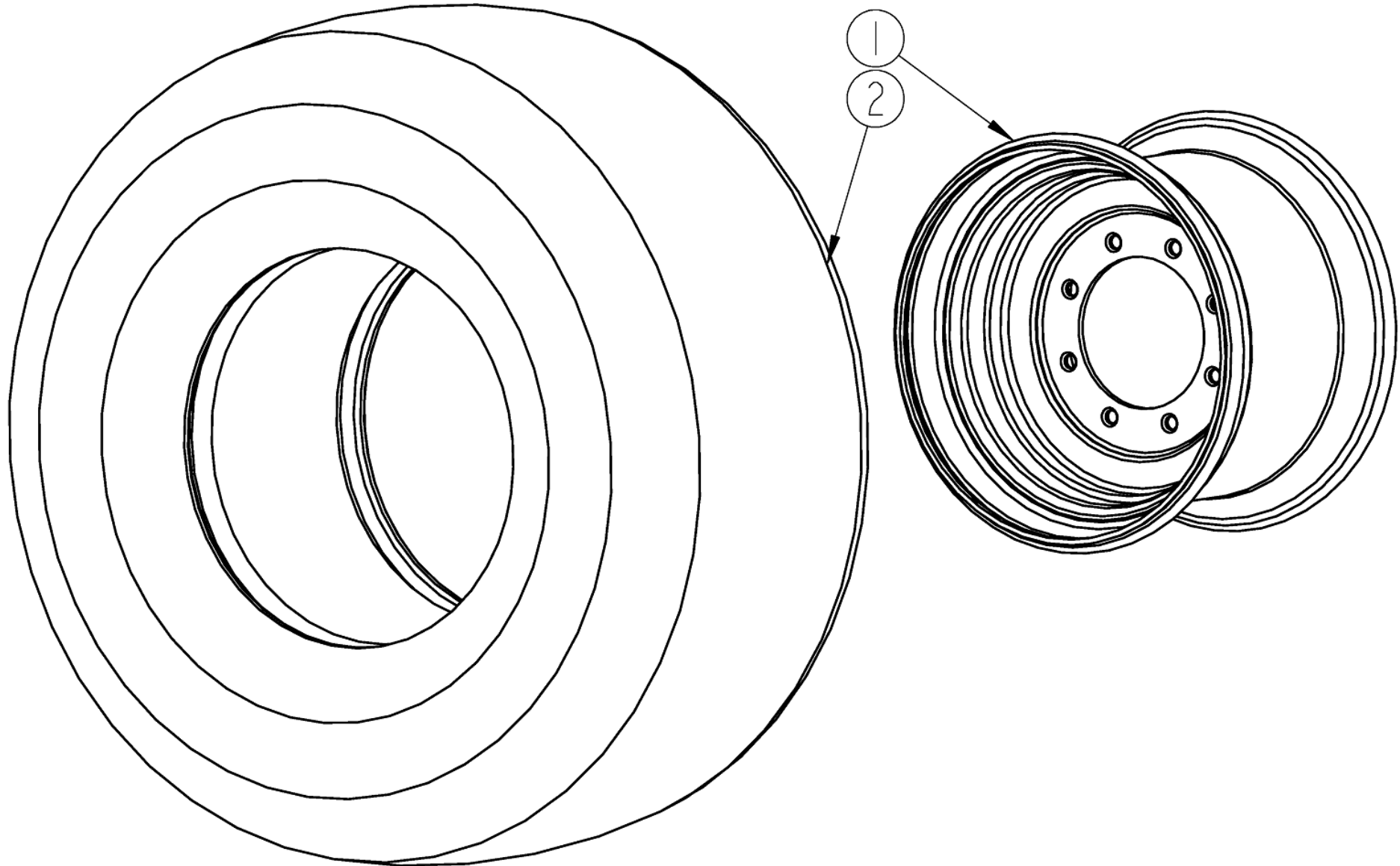
**Axle RH (52)**



No.	Part No	Description	Qty
1	CAX00053	AXLE BALER WELD ASSY. RIGHT	1
2	CAX00048	BALER AXLE BRAKE HUB	1
3	CAX00055	STUD FOR AXLE B80L030D/S	8
4	CSE00014	HUB SEAL B 80L030D/S	1
5	CBR00100	BEARING WHEEL 32215 FUSION	1
6	CBR00099	BEARING WHEEL 32211 FUSION	1
7	CAX00059	HUB NUT B 80L030D/S	1
8	CAX00058	HUB CAP B 80L030D/S	1
9	CAX00060	BRAKE SHOES B 80L030D/S	2
10	CAX00061	BRAKE OPERATING LEVER FUSION	1
11	CRA00100	RAM BRAKE OPERATING 998/FUSION	1
12	CFA00413	WASHER FLAT 20MM ZP	2
13	CMH00829	PIN 14X50 &2, 4MM HOLES @ 5MM	1
14	CMH00830	PIN 20X90 &2, 4MM HOLES @ 5MM	1
15	CFA00450	SPLIT PIN 4 X36 ZP	4
16	CFA00410	SPLIT PIN 6X90	1
17	CFA00565	BOLT M20X100 METRIC FINE THREAD	6
18	CFA00418	NUT M20X1.5 NYLOC FINE THRAED	6
19	CFA00346	BOLT M20X65 ZP	2
20	CFA00413	WASHER FLAT 20MM ZP	8
21	CFA00129	NUT M20 NYLOC	2
22	CAX00057	WASHER FOR AXLE B80L030D/S	8
23	CAX00056	NUT FOR AXLE B80L030D/S	8
24	CMH00470	BUSH 20X30X40	6

No.	Part No	Description	Qty
-----	---------	-------------	-----

# **WHEEL ASSEMBLY; CWH00032:**

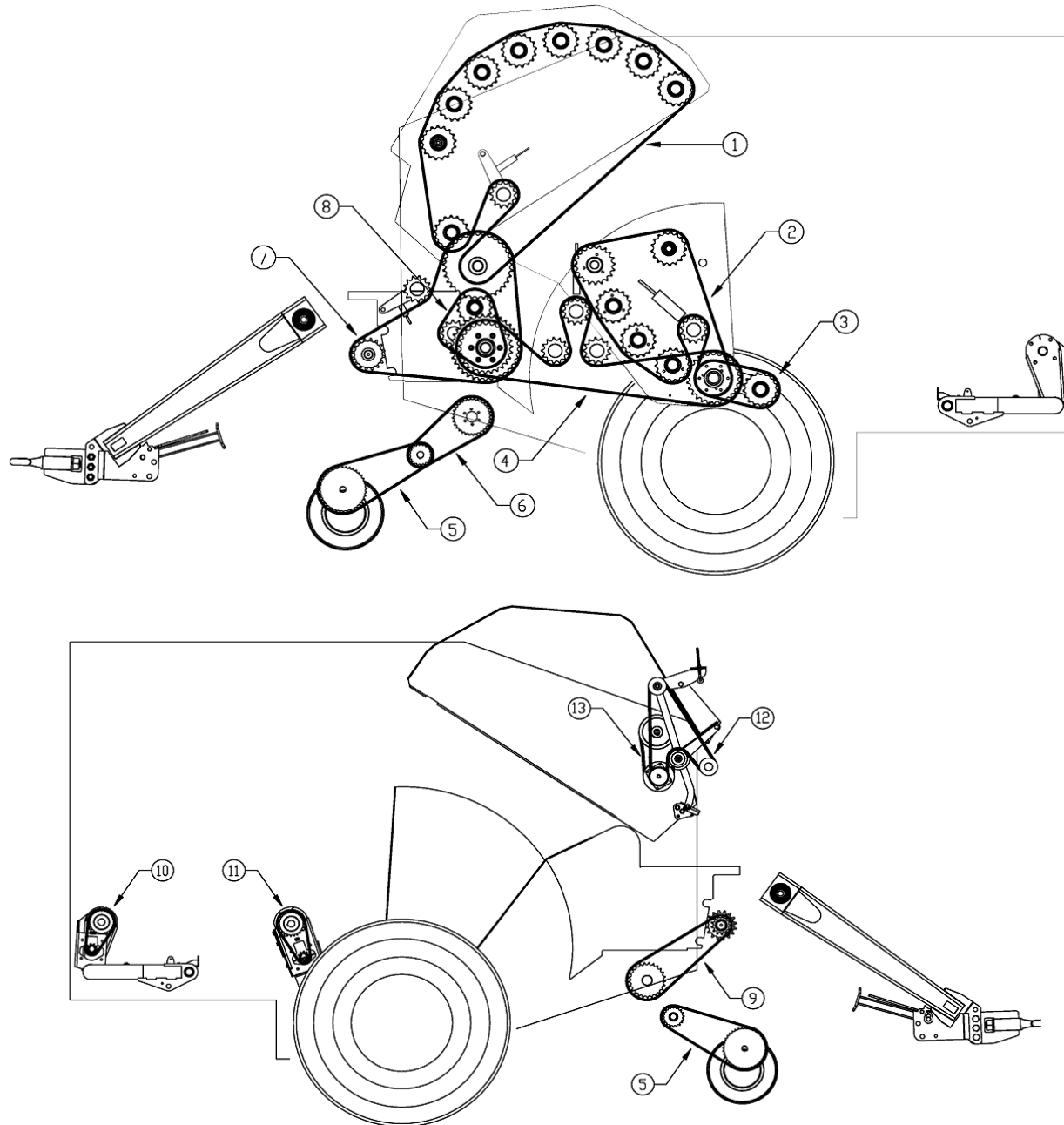




No.	Part No	Description	Qty
	CWH00032	WHEEL ASSEMBLY	2
1	CWH00034	WHEEL RIM 16 X 22.5 TH21	1
2	CWH00033	TYRE 550/60 R22.5 VERDESTEIN	1

No.	Part No	Description	Qty
-----	---------	-------------	-----

**Chains & Belts (74)**

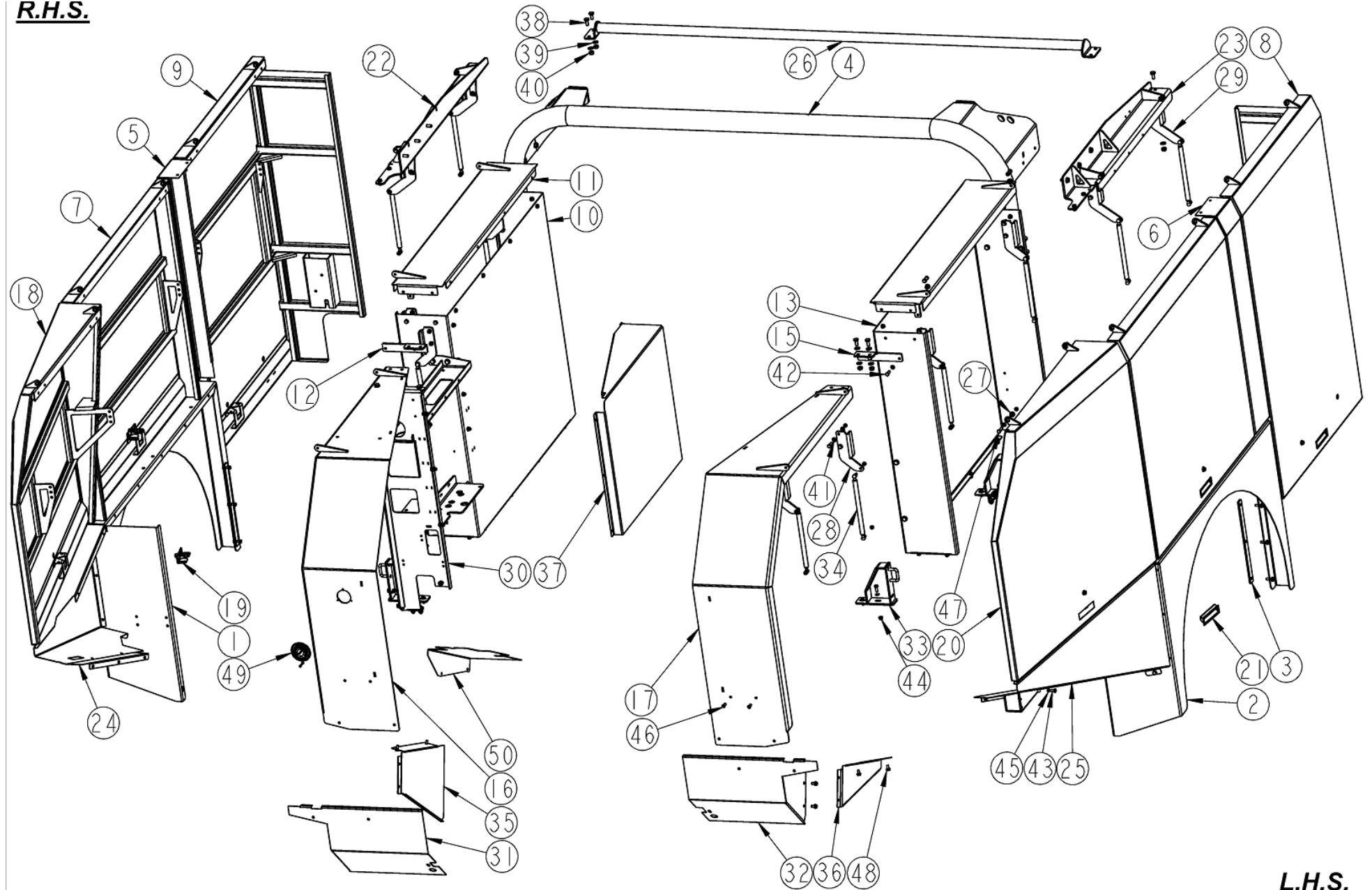


No.	Part No	Description	Qty
1	CCH00036	20B 164 PITCHES + CON LINK	1
2	CCH00038	20B 105 PITCHES+CON LINK	1
3	CCH00042	20B 33 PITCHES + CON LINK	1
4	CCH00037	20B 124 PITCHES + CON LINK	1
5	CCH02026	CHAIN ASA60H 3/4" 78 INC LINK	2
6	CCH02025	CHAIN ASA60H 3/4" 62 INC LINK	1
7	CCH00039	100H 86 PITCHES + CON LINK	1
8	CCH00040	20B 35 PITCHES + CON LINK	1
9	CCH00041	16B2 62 PITCHES + CON LINK	1
10	CCH00043	ASA60H 36 PITCHES + CON LINK	1
11	CCH00044	ASA60H 40 PITCHES + CON LINK	1
12	CBE00054	V BELT A73	1
12	CBE00024	V BELT A35	1
<i>FOR MACHINES WITHOUT NET TENSIONER</i>			
13	CBE00025	V BELT A44	1

No.	Part No	Description	Qty
-----	---------	-------------	-----

**Panels (97)**

**R.H.S.**

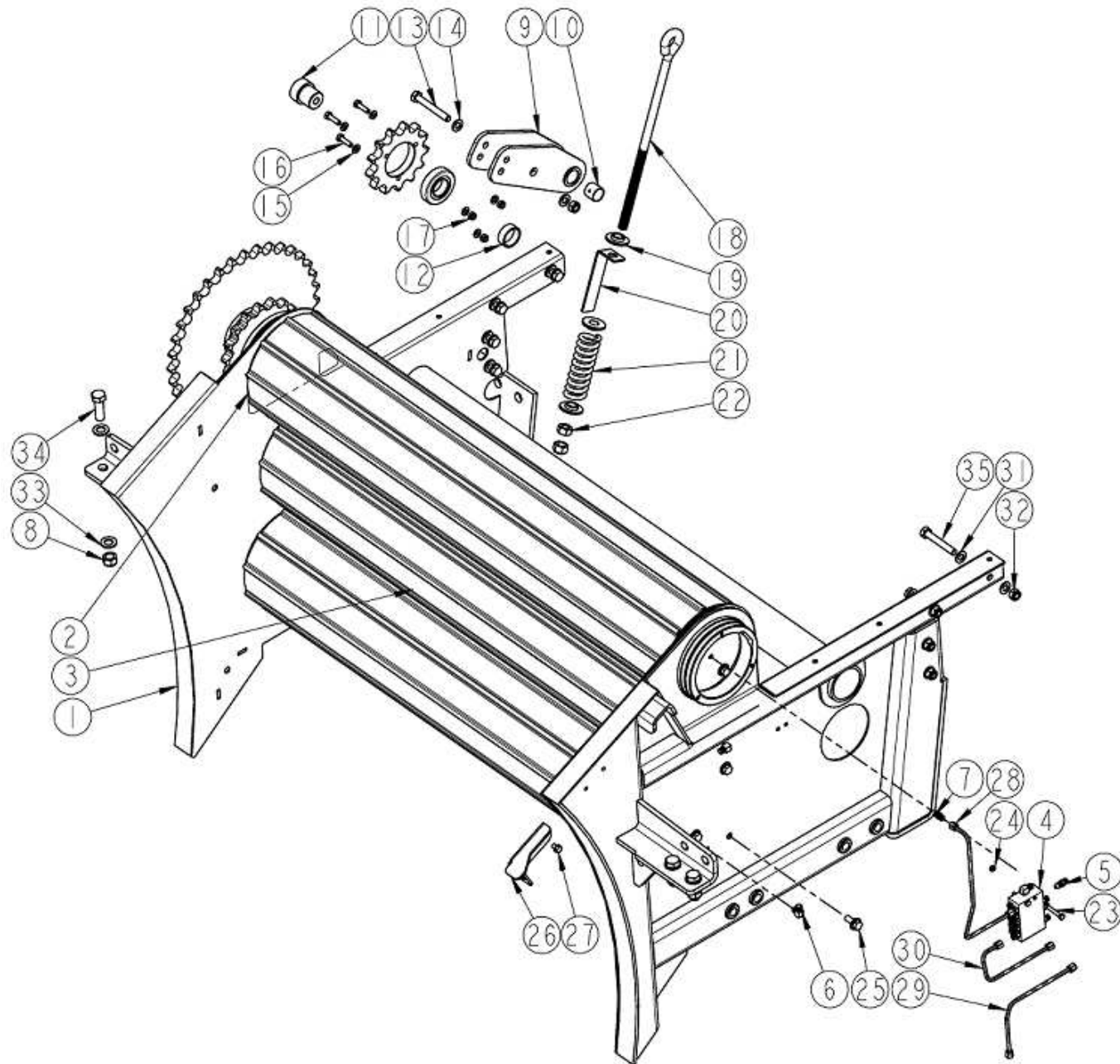


**L.H.S.**

No.	Part No	Description	Qty
1	CZC02121	3MM L WHEEL GUARD RIGHT PART	1
2	CZC02122	3MM L WHEEL GUARD LEFT PART	1
3	CZF02790	6MM L BALER CHASSIS PART	2
4	ACH00358	DISP RING SUPPORT ARM	1
5	CGD00039	SIDE GUARD RIGHT BALER	1
6	CGD00040	SIDE GUARD LEFT REAR BALER	1
7	CGD00041	SIDE GUARD CENTRE LEFT & RIGHT	2
8	CGD00044	SIDE GUARD LEFT BACK	1
9	CGD00042	SIDE GUARD RIGHT BACK	1
10	CZC02127	3MM L FILM ROLL PANNEL PART	1
11	ACH00459	FILM ROLL PANEL TOP	1
12	CZF02752	6MM L DOOR FRAME PART	1
13	CZC02129	3MM L FILM ROLL PANNEL PART	1
14	ACH00459	FILM ROLL PANEL TOP	1
15	CZF02753	6MM L DOOR FRAME PART	1
16	ACH00372	DOOR FRAME FRONT RIGHT	1
17	ACH00373	DOOR FRAME FRONT LEFT	1
18	CGD00045	SIDE GUARD FRONT RIGHT	1
19	CFA00518	CAMLOC BALER DOOR	1
20	CGD00046	SIDE GUARD FRONT LEFT	1
21	CPL00058	HANDLE INSERT BALER DOOR	1
22	ACH00374	DOOR HINGE BRACKET RIGHT BACK	1
23	ACH00375	DOOR HINGE BRACKET LEFT BACK	1
24	CGD00048	GUARD BOTTOM FRONT RIGHT	1
25	CGD00049	GUARD BOTTOM FRONT LEFT	1
26	ACH00397	DOOR FRAME TIE BAR ASSY	1
27	CMH00742	BUSH 8X20X13 ZP	12
28	CZF02803	6MM L DOOR STRUT BRACKET	8
29	CZF02824	6MM L DOOR STRUT BRACKET	4
30	ACH00409	VALVE PLATE PART	1
31	CZB02143	1.5MM L BALER GUARD PART	1
32	CZB02144	1.5MM L BALER GUARD PART	1
33	ACH00411	DOOR STRIKER ASSY	4
34	CRA00171	GAS STRUT 8X18	12
35	CZB02154	1.5MM L CHAIN GUARD BALER	1
36	CZB02155	1.5MM L CHAIN GUARD BALER	1
37	CZB02168	1.5MM L VALVE COVER BALER	1
38	CFA00024	SETSCREW M10X25 ZP	21
39	CFA00201	WASHER FLAT 10 MM ZP	70
40	CFA00123	NUT M10 NYLOC	47
41	CFA00249	WASHER SKM8	40
42	CFA00102	SETSCREW M8X25 ZP	14
43	CFA00052	SETSCREW M8X20 ZP	81
44	CFA00132	NUT M8 NYLOC ZP	167
45	CFA00147	WASHER FLAT 8MM ZP	215
46	CFA00429	SETSCREW M8X20 BUTTON HEAD ZP	4
47	CFA00055	BOLT M8X35 ZiP	12
48	CFA00519	SETSCREW M8X16 FLD ZP	12

No.	Part No	Description	Qty
49	CHY00133	GAUGE PRESSURE 63DIA FLANGE	1
50	CZB02183	1.5MM L GUARD DUPLEX CHAIN BALER	1

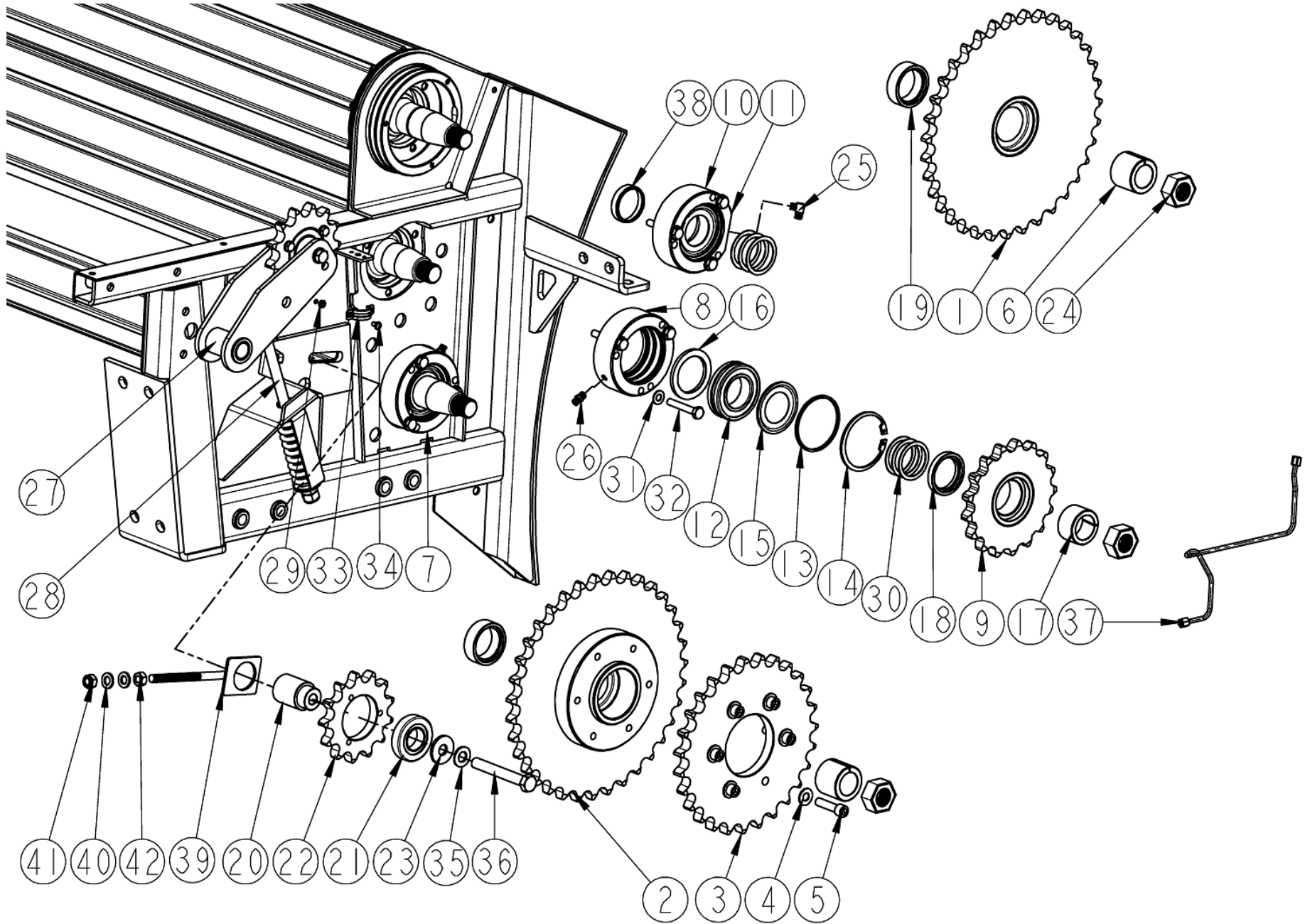
**Front chamber [idle side] (64)**



No.	Part No	Description	Qty
1	ACH00168	BALER FRONT SECTION WELD ASSY	1
2	ARC00028	BALER ROLLER 3 BOLT FLANGE	2
3	ARC00030	BALER ROLLER STD COMP. ASSY.	1
4	CVA00166	GREASE BLOCK 10 WAY	1
5	CFA00648	GREASE FITTING TO BLOCK 1/8"	9
6	CFA00543	6MM X 1/8" 90° GREASE FITTING	4
7	CFA00549	GREASE FITTING 6MM X 1/8" 0°	3
8	CFA00128	NUT M16 NYLOC	1
9	ACH00439	CHAIN TENSIONER WELD ASSY M.D.	1
10	CBR00039	BEARING GLACIER PM 2525 DX	2
11	CMH00467	BUSH 45X12.5X52 STEPPED 35	1
12	CXT00185	TUBE 42.4X3X15	1
13	CFA00034	BOLT M12X90 ZP	1
14	CFA00138	WASHER FLAT 12MM ZP	2
15	CFA00147	WASHER FLAT 8MM ZP	6
16	CFA00316	BOLT M8X30 ZP	3
17	CFA00132	NUT M8 NYLOC ZP	3
18	CFA00672	EYE BOLT 16MM SPRING TENSIONER	1
19	CMH00464	BUSH 45X17X10 STEPPED 25	3
20	CZC02057	3MM L CHAIN TENSIONER BRCKT	1
21	CSG00025	SPRING COMPX8X43X130X10	1
22	CFA00127	NUT M16	1
23	CFA00099	SETSCREW M6X40 ZP	2
24	CFA00131	NUT M6 NYLOC	3
25	CFA00520	SETSCREW M10X25 FLD ZP	9
26	CZD02313	4MM L SENSOR BRACKET BALER	1
27	CFA00492	SETSCREW M8X12 FLANGED ZP	2
28	CHY02182	GREASE PIPE 4 FRONT SECTION	1
29	CHY02183	GREASE PIPE 5 FRONT SECTION	1
30	CHY02184	GREASE PIPE 6 FRONT SECTION	1
31	CFA00138	WASHER FLAT 12MM ZP	2
32	CFA00124	NUT M12 NYLOC	1
33	CFA00140	WASHER FLAT 16MM ZP	8
34	CFA00116	BOLT M16X50 ZP	4
35	CFA00330	BOLT M12X80 ZP	8

No.	Part No	Description	Qty
-----	---------	-------------	-----

**Front chamber [drive side] (65)**

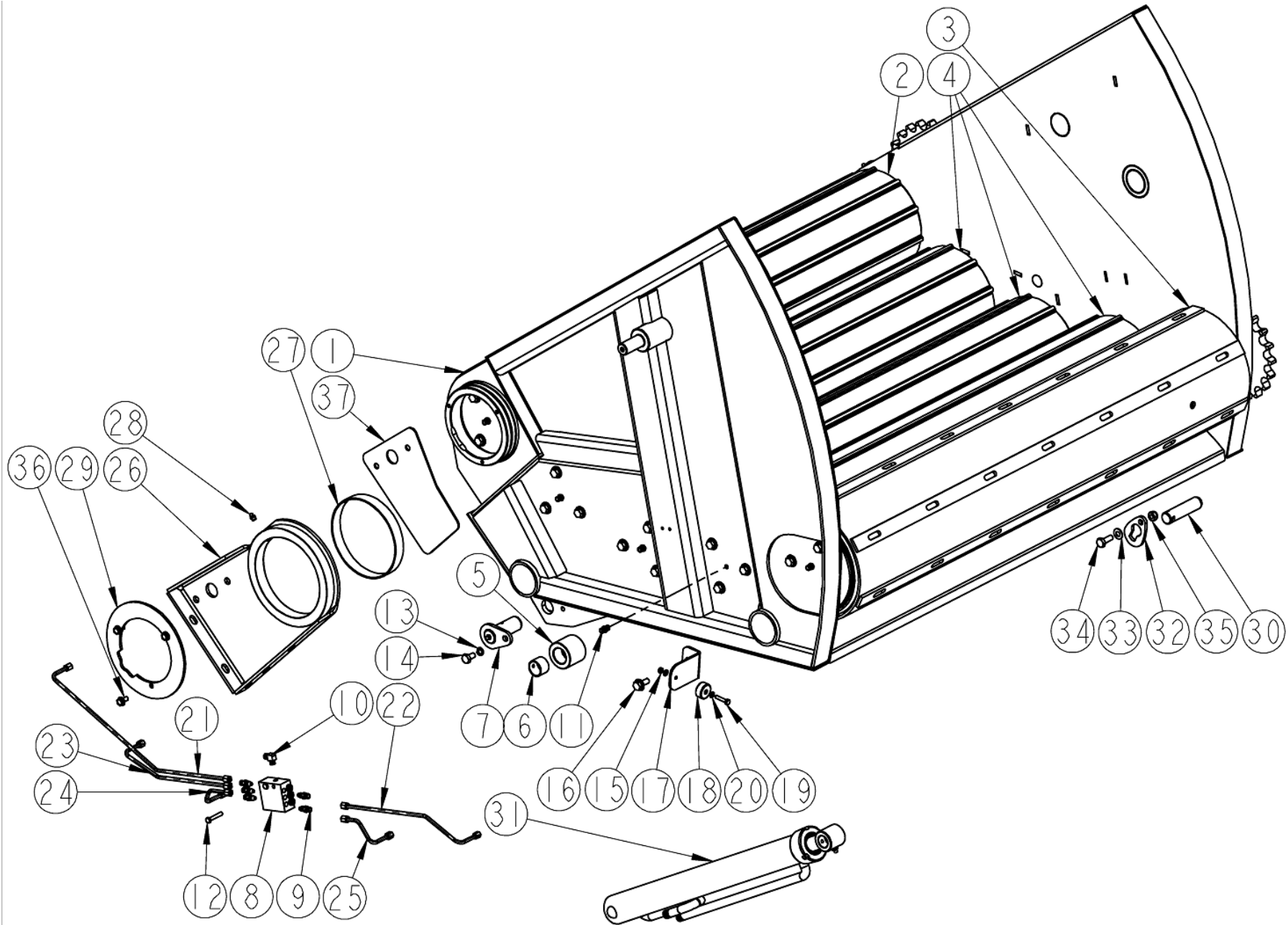




No.	Part No	Description	Qty
1	ART00087	SPROCKET ASSY BOTTOM DOOR DRIVE	1
2	ART00085	SPROCKET ASSY BOTTOM DOOR DRIVE	1
3	CMH00699	PLATEWHEEL 11/4" PITCH 27T	1
4	CFA00250	WASHER SKM12	6
5	CFA00535	BOLT M12 X 50 SOC	6
6	CMH00508	BUSH 36X58X47 TAPPED COLLET	2
7	ART00051	BEARING ROLLER COMP MSY	2
8	CMH00707	BUSH 90X135X48 BEARING HOUSING	1
9	ART00081	11/4" PITCH 17 T SPROCKET ASY	1
10	ART00051	BEARING ROLLER COMP ASSY	1
11	CMH00511	BUSH 90X135X48 BEARING HOUSING	1
12	CBR00060	BEARING SPHERICAL SKF 2210CC	1
13	CZC02063	3MM L BEARING RETAINER RING	1
14	CFA00452	CIRCUP 95MM INTERNAL	1
15	CBR00061	NILOS-RING 6210AV	1
16	CSE00099	SEAL OIL 58X80X8	1
17	CMH00507	BUSH 39X58X33 TAPPED COLLET	1
18	CMH00510	BUSH 50X68X12.5 STEPPED 58	1
19	CMH00736	BUSH 50X68X25 STEPPED 58	2
20	CMH00747	BUSH 12X45X88 STEPPED	1
21	CBR00062	BEARING RADIAL 6207LLU (SKF)	1
22	CMH00463	SPROCKET 11/4" 13 TOOTH	1
23	CZD00192	4MM L TRAILED SPACER	1
24	CFA00401	NUT M3OX2 FINE THREAD	3
25	CFA00543	6MM X 118" 90° GREASE FITTING	4
26	CFA00549	GREASE FITTING 6MM X 1/8" 0°	3
27	ACH00440	CHAIN TENSIONER COMP ASSY M.D.	1
28	ACH00437	FRONT CHAIN ADJ. COMPLETE	1
29	CFA00131	NUT Me NYLOC	3
30	CFA00048	SHIM 50X62X1.0	9
31	CFA00251	WASHER SKM10	9
32	CFA00028	BOLT M10X65 ZIP	9
33	CFA00015	P-CLIP RUBBER LINED CLAMP 13MM	1
34	CFA00269	SETSCREW M6X10 ZP	1
35	CFA00252	WASHER SKM16	1
36	CFA00209	BOLT M16X120 ZIP	1
37	CHY02180	GREASE PIPE 2 FRONT SECTION	1
38	CMH00445	BEARING ROLLER SLEEVE 50 ID	2
39	CZD02337	4MM L FRONT SECTION CHAIN ADJ	1
40	CFA00138	WASHER FLAT 12MM ZIP	2
41	CFA00124	NUT M12 NYLOC	1
42	CFA00125	NUT M12 ZIP	1

No.	Part No	Description	Qty
-----	---------	-------------	-----

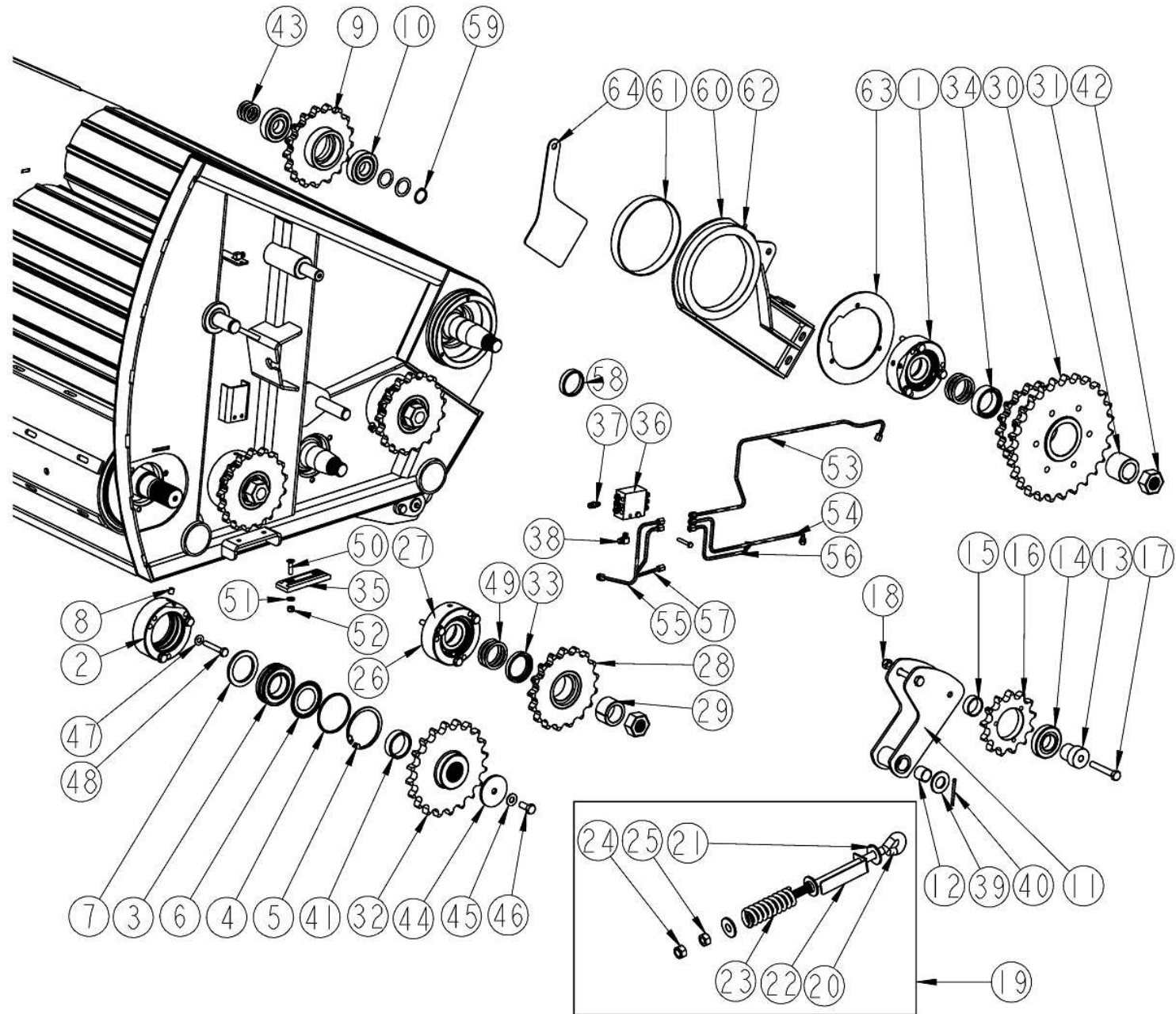
**Bottom chamber door [idle side] (61)**



No.	Part No	Description	Qty
1	ACH00171	BOTTOM DOOR WELD ASSY	1
2	ARC00028	BALER ROLLER 3 BOLT FLANGE	1
3	ARC00034	FRONT CHAMBER ROLLER	1
4	ARC00030	BALER ROLLER STD COMP. ASSY.	3
5	ART00096	GUIDE ROLLER ASSY TRANSFER	2
6	CBR00007	BEARING GLACIER PM 3025 DX	2
7	ACH00426	PIN 30X80 + WELD ON CAP	2
8	CVA00169	GREASE BLOCK 6 WAY	2
9	CFA00648	GREASE FITTING TO BLOCK 1/8"	10
10	CFA00543	6MM X 1/8" 90° GREASE FITTING	8
11	CFA00549	GREASE FITTING 6MM X 1/8" 0°	5
12	CFA00099	SETSCREW M6X40 Z/P	4
13	CFA00137	WASHER SPRING 10MM H.D Z/P	2
14	CFA00023	SETSCREW M10X20 Z/P	2
15	CFA00131	NUT M6 NYLOC	3
16	CFA00520	SETSCREW M10X25 FLD ZP	15
17	CZD02312	4MM L MAGNET BRACKET BALER	1
18	CEL00017	MAGNET BLUE	1
19	CFA00190	SETSCREW M6X30 STAINLESS STEEL	1
20	CFA00144	WASHER FLAT 6MM Z/P	2
21	CHY02174	GREASE PIPE 1 BOTTOM DOOR N.D	1
22	CHY02175	GREASE PIPE 2 BOTTOM DOOR N.D	1
23	CHY02176	GREASE PIPE 3 BOTTOM DOOR N.D	1
24	CHY02177	GREASE PIPE 4 BOTTOM DOOR N.D	1
25	CHY02178	GREASE PIPE 5 BOTTOM DOOR N.D	1
26	ACH00367	BALER DOOR HINGE BOTTOM RIGHT	1
27	CBR00051	BEARING GLACIER PM 170 X 25	1
28	CFA00118	GREASE NIPPLE M8X1.25 STRAIGHT	1
29	CZE00131	5MM L BALER DOOR HINGE PART	2
30	CMH00422	PIN 25 X 100 MILLED FOR CAP Z/P	2
31	CRA00165	RAM BTM DOOR	2
<i>UP TO SERIAL NO. 650620</i>			
31	CRA00252	RAM BTM DOOR	2
<i>FROM SERIAL NO. 650621</i>			
32	CZF00293	6MM L CAP SHORT FOR 25MM PINS	2
33	CFA00251	WASHER SKM10	2
34	CFA00025	SETSCREW M10X30	2
35	CFA00123	NUT M10 NYLOC	2
36	CFA00519	SETSCREW M8X16 FLD ZP	6
37	CZC03063	3MM L SPACER PLATE FUSION	1

No.	Part No	Description	Qty
-----	---------	-------------	-----

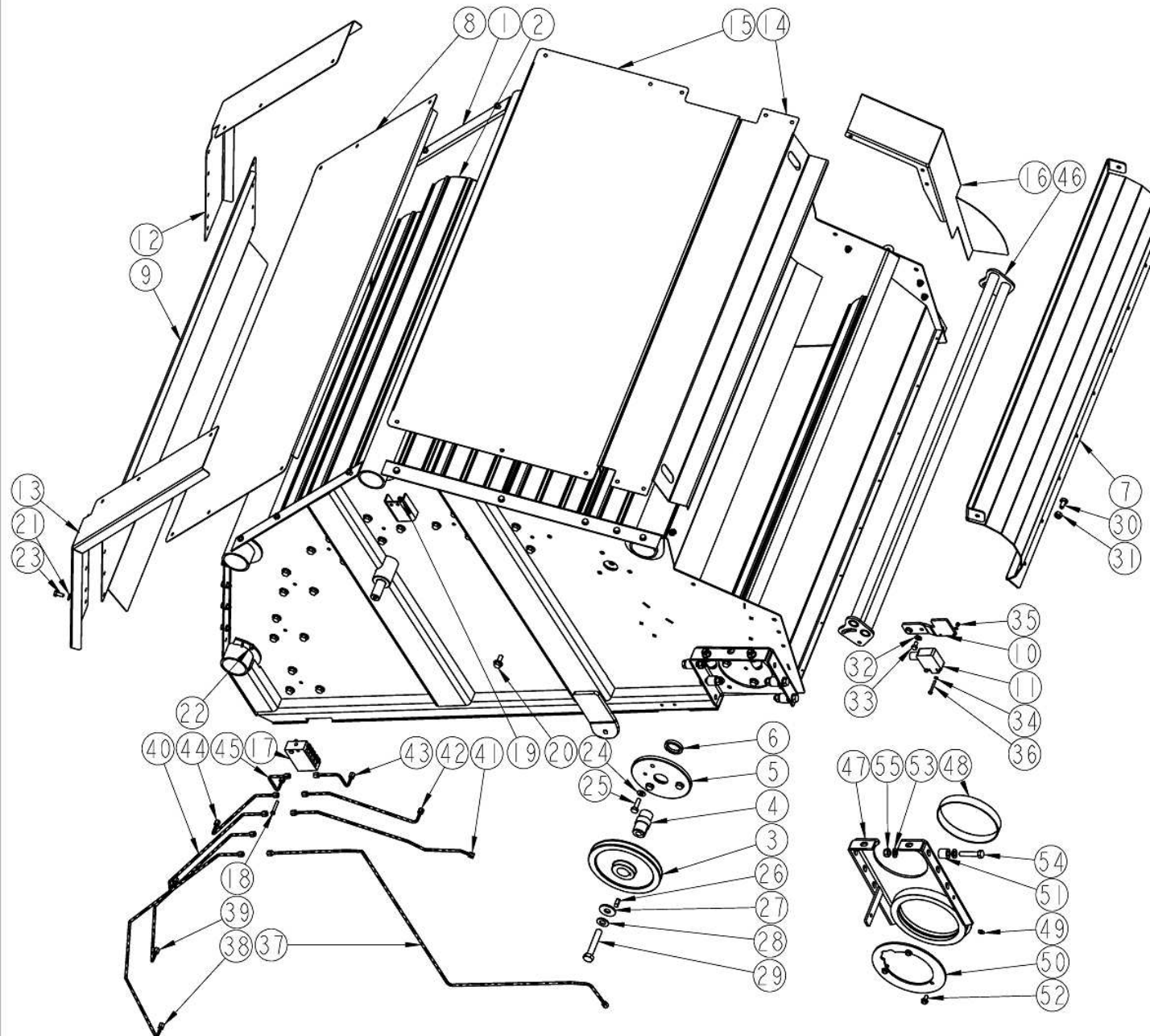
**Bottom chamber door [drive side] (62)**



No.	Part No	Description	Qty
1	ART00051	BEARING ROLLER COMP ASSY	2
2	CMH00511	BUSH 90X135X46 BEARING HOUSING	1
3	CBR00060	BEARING SPHERICAL SKF 2210CC	1
4	CZC02063	3MM L BEARING RETAINER RING	1
5	CFA00452	CIRCLIP 95MM INTERNAL	1
6	CBR00061	NILOS-RING 6210AV	1
7	CSE00099	SEAL OIL 58X80X8	1
8	CFA00559	GRUBSCREW M10X12	1
9	ART00083	BALER IDLER SPROCKET WELD ASSY	1
10	CBR00052	BEARING 6306	2
11	ACH00233	BOTTOM DOOR CHAIN TENSIONER ASSY	1
12	CBR00039	BEARING GLACIER PM 2525 DX	2
13	CMH00467	BUSH 45X12.5X52 STEPPED 35	1
14	CBR00062	BEARING RADIAL 6207LLU (SKF)	1
15	CXT00185	TUBE 42.4X3X15	1
16	CMH00463	SPROCKET 1 1/4" 13 TOOTH	1
17	CFA00330	BOLT M12X80 Z/P	1
18	CFA00124	NUT M12 NYLOC	1
19	ACH00437	FRONT CHAIN ADJ.COMP	1
20	CFA00672	EYE BOLT 16MM SPRING TENSIONER	1
21	CMH00464	BUSH 45X17X10 STEPPED 25	3
22	CZC02057	3MM L CHAIN TENSIONER BRCKT	1
23	CSG00025	SPRING COMPX8X43X130X10	1
24	CFA00128	NUT M16 NYLOC	1
25	CFA00127	NUT M16	1
26	ART00051	BEARING ROLLER COMP ASSY	3
27	CMH00707	BUSH 90X135X46 BEARING HOUSING	1
28	ART00081	1 1/4" PITCH 17 T SPROCKET ASY	3
29	CMH00507	BUSH 39X56X33 TAPPED COLLET	3
30	ART00082	DUPLEX SPROCKET COMP ASSY	1
31	CMH00508	BUSH 36X58X47 TAPPED COLLET	1
32	CMH00708	SPROCKET 1 1/4" PITCH 20T	1
33	CMH00510	BUSH 50X68X12.5 STEPPED 58	3
34	CMH00736	BUSH 50X68X25 STEPPED 58	1
35	ALA00124	WEAR STRIP	1
36	CVA00169	GREASE BLOCK 6 WAY	2
37	CFA00648	GREASE FITTING TO BLOCK 1/8"	10
38	CFA00543	6MM X 1/8" 90° GREASE FITTING	8
39	CFA00135	WASHER FLAT 1" Z/P	1
40	CFA00013	SPLIT PIN 5X50 Z/P	1
41	CMH00812	BUSH 50X60X17	1
42	CFA00401	NUT M30X2 FINE THREAD	4
43	CFA00572	SHIM 30X42X1	5
44	CZE00115	BALE SPLITTER WASHER	1
45	CFA00250	WASHER SKM12	1
46	CFA00032	SETSCREW M12X30 Z/P	1
47	CFA00251	WASHER SKM10	15
48	CFA00028	BOLT M10X65 Z/P	15

No.	Part No	Description	Qty
49	CFA00048	SHIM 50X62X1.0	12
50	CFA00593	SETSCREW M8X30 CSK ZP	2
51	CFA00147	WASHER FLAT 8MM Z/P	2
52	CFA00132	NUT M8 NYLOC Z/P	2
53	CHY02169	GREASE PIPE 1 BOTTOM DOOR D.S	1
54	CHY02170	GREASE PIPE 2 BOTTOM DOOR D.S	1
55	CHY02171	GREASE PIPE 3 BOTTOM DOOR D.S	1
56	CHY02172	GREASE PIPE 4 BOTTOM DOOR D.S	1
57	CHY02173	GREASE PIPE 5 BOTTOM DOOR D.S	1
58	CMH00445	BEARING ROLLER SLEEVE 50 ID	1
59	CFA00402	CIRCLIP 30MM EXTERNAL	1
60	ACH01374	HINGE BOTTOM DOOR LEFT	1
	REPLACED ACH00366		
61	CBR00051	BEARING GLACIER PM 170 X 25	1
62	CFA00118	GREASE NIPPLE M8X1.25 STRAIGHT	1
63	CZE00131	5MM L BALER DOOR HINGE PART	1
64	CZC03064	3MML SPACER PLATE FUSION	1

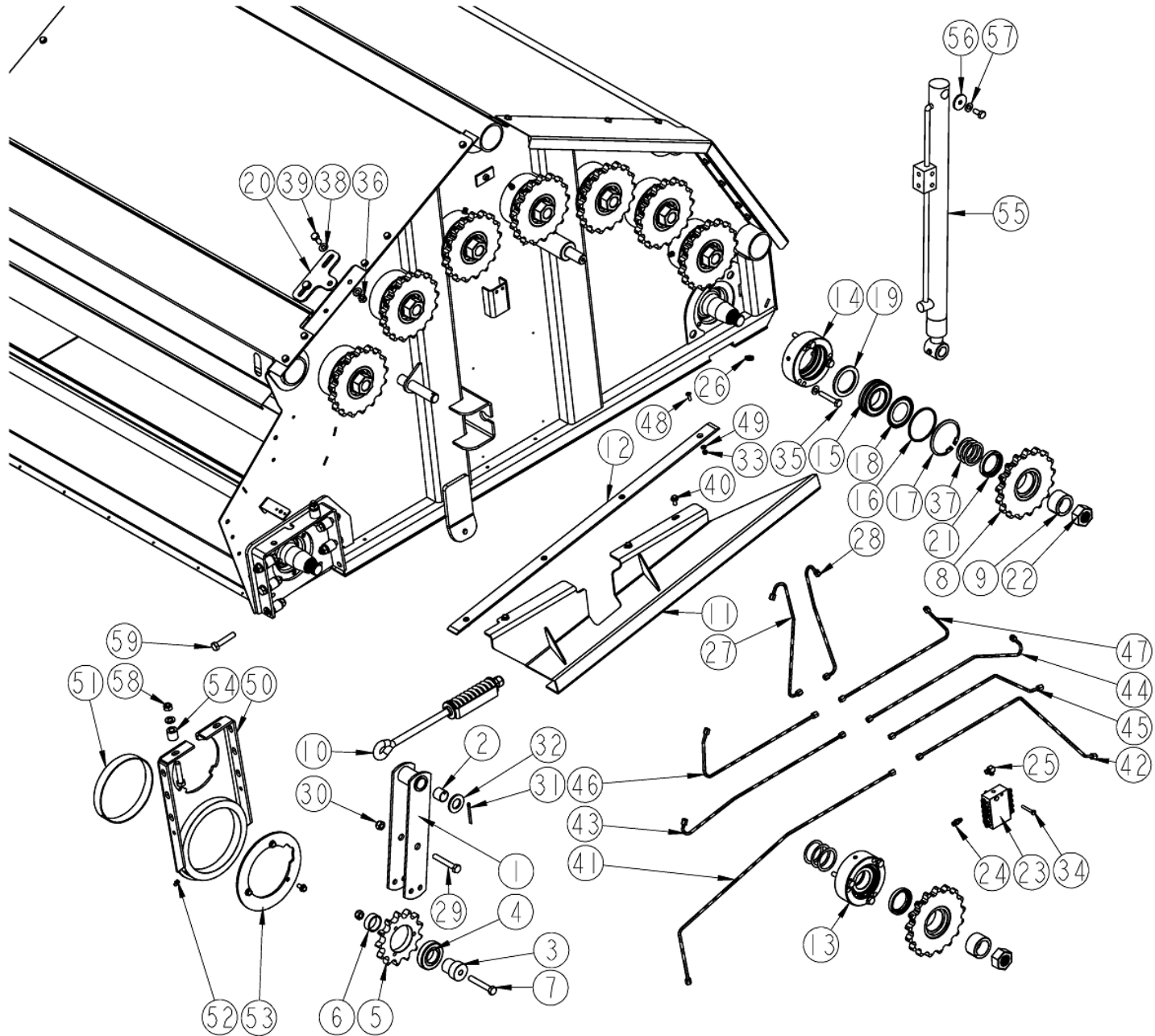
**Top chamber door [idle side] (66)**



No.	Part No	Description	Qty
1	ACH00172	TOP DOOR WELD ASSY	1
2	ARC00030	BALER ROLLER STD COMP. ASSY.	9
3	CMH00458	PULLEY 35X210 A SECTION	1
4	CMH00460	PIN 45X85 STEPPED35& 16 C.HOLE	1
5	CMH00493	FLANGE 40 X 170 X 10	1
6	CSE00098	SEAL RADIAL SHAFT SEAL 35 X 50 X 8	1
7	CZC02065	3MM L BALER DOOR PART	1
8	CZB02070	1.5MM L TOP DOOR PANNEL PART	1
9	CZB02071	1.5MM L TOP DOOR PANNEL PART	1
10	CZF02747	6MM L LIMIT SWITCH BRACKET	1
11	CEL00196	CHAMBER SWITCH ASSY BALER	1
<i>REPLACED BY PROXIMITY SENSOR KIT UWP00034</i>			
12	CZB02157	1.5MM L TOP DOOR SIDE PANNEL L	1
13	CZB02158	1.5MM L TOP DOOR SIDE PANNEL R	1
14	CZB02159	1.5MM L NET GUARD PART	1
15	CZB02162	1.5MM L TOP DOOR PANNEL PART	1
16	CGD00058	GUARD CHAMBER DRIVE CHAIN TOP	1
17	CVA00166	GREASE BLOCK 10 WAY	1
18	CFA00099	SETSCREW M6X40 ZIP	2
19	CFA00131	NUT M6 NYLOC	2
20	CFA00520	SETSCREW M10X25 FLD ZP	24
21	CFA00147	WASHER FLAT 8MM ZP	66
22	CFA00132	NUT M8 NYLOC ZP	37
23	CFA00052	SETSCREW M8X20 ZP	29
24	CFA00251	WASHER SKM10	3
25	CFA00311	SETSCREW 10X35	3
26	CFA00155	KEY 10X8X25	1
27	CZD00192	4MM L TRAILED SPACER	1
28	CFA00252	WASHER SKM16	1
29	CFA00063	BOLT M16X90 ZP	1
30	CFA00023	SETSCREW M10X20 ZP	2
31	CFA00123	NUT M10 NYLOC	2
32	CFA00249	WASHER SKM8	2
33	CFA00101	SETSCREW M8X16 ZP	2
34	CFA00337	WASHER FLAT 5MM ZP	4
35	CFA00321	NUT M5 NYLOC	2
36	CFA00314	SETSCREW M5X40 ZP	2
37	CHY02160	GREASE PIPE 1 TOP DOOR N.D	1
38	CHY02161	GREASE PIPE 2 TOP DOOR N.D	1
39	CHY02162	GREASE PIPE 3 TOP DOOR N.D	1
40	CHY02163	GREASE PIPE 4 TOP DOOR N.D	1
41	CHY02164	GREASE PIPE 5 TOP DOOR N.D	1
42	CHY02165	GREASE PIPE 6 TOP DOOR N.D	1
43	CHY02168	GREASE PIPE 9 TOP DOOR N.D	1
44	CHY02166	GREASE PIPE 7 TOP DOOR N.D	1
45	CHY02167	GREASE PIPE 8 TOP DOOR N.D	1
46	ACH00458	NET TENSION ASSY	1
47	ACH00438	HINGE ASSY BALER DOOR	1
48	CBR00051	BEARING GLACIER PM 170 X 25	1

No.	Part No	Description	Qty
49	CFA00118	GREASE NIPPLE M8X1.25 STRAIGHT	1
50	CZE00131	5MM L BALER DOOR HINGE PART	1
51	CMH00745	BUSH 12X25X25	7
52	CFA00519	SETSCREW M8X16 FLD ZP	3
53	CFA00138	WASHER FLAT 12MM ZP	14
54	CFA00586	BOLT M12X60X10.9 FINDTHREAD ZP	7
55	CFA00417	NUT M12X1.5 NYLOC FINE THREAD	7

**Top chamber door [drive side] (68)**

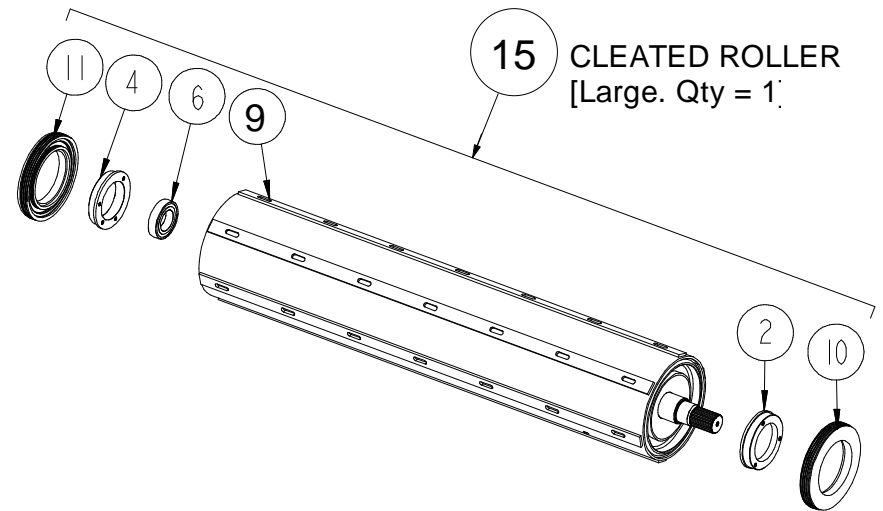
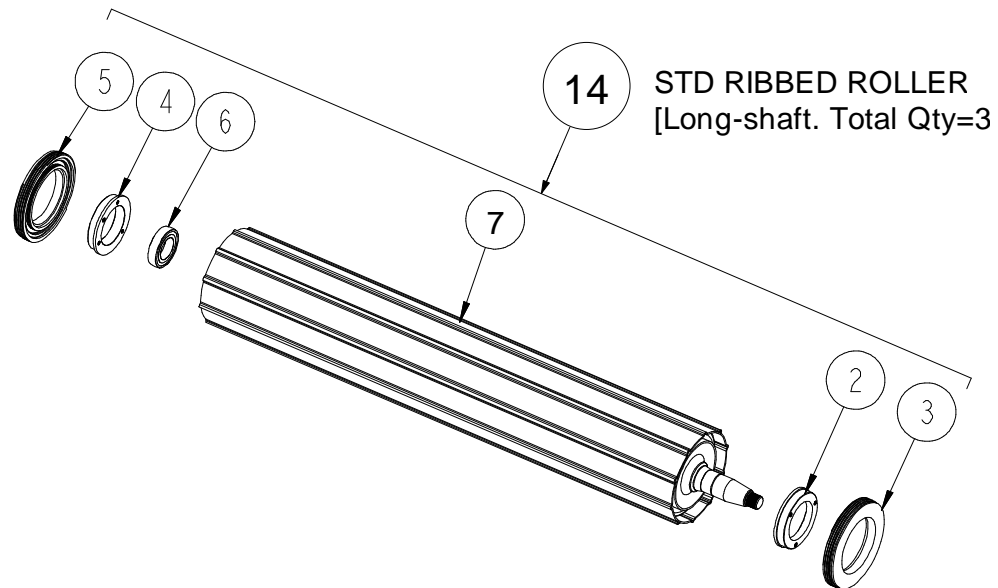
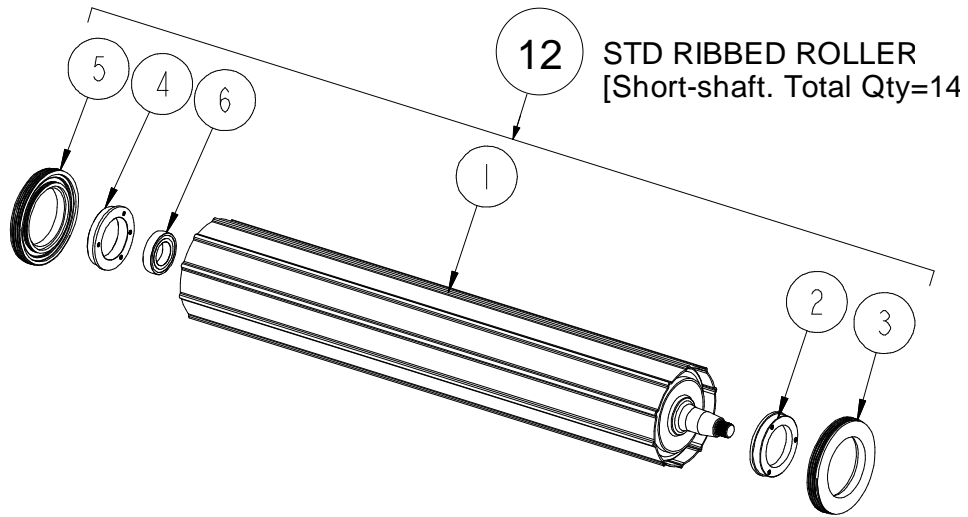




No.	Part No	Description	Qty
1	ACH00188	DOOR CHAIN TENSION WELD ASSY.	1
2	CBR00039	BEARING GLACIER PM 2525 DX	2
3	CMH00467	BUSH 45X12.5X52 STEPPED 35	1
4	CBR00062	BEARING RADIAL 6207LLU (SKF)	1
5	CMH00463	SPROCKET 1 1/4" 13 TOOTH	1
6	CXT00185	TUBE 42.4X3X15	1
7	CFA00330	BOLT M12X80 Z/P	1
8	ART00081	1 1/4" PITCH 17 T SPROCKET ASY	9
9	CMH00507	BUSH 39X56X33 TAPERED COLLET	9
10	ACH00437	FRONT CHAIN ADJ.COMP	1
11	ACH00619	CHAIN SLIDE ASSY TOP DOOR MOD	1
12	CMH00514	WEAR STRIP 6X35X910	1
13	ART00051	BEARING ROLLER COMP ASSY	9
14	CMH00707	BUSH 90X135X46 BEARING HOUSING	1
15	CBR00060	BEARING SPHERICAL SKF 2210CC	1
16	CZC02063	3MM L BEARING RETAINER RING	1
17	CFA00452	CIRCLIP 95MM INTERNAL	1
18	CBR00061	NILOS-RING 6210AV	1
19	CSE00099	SEAL OIL 58X80X8	1
20	CZF02654	6MM L SPRING ADJUSTER PART	1
21	CMH00510	BUSH 50X68X12.5 STEPPED 58	9
22	CFA00401	NUT M30X2 FINE THREAD	9
23	CVA00166	GREASE BLOCK 10 WAY	1
24	CFA00648	GREASE FITTING TO BLOCK 1/8"	10
25	CFA00543	6MM X 1/8" 90 GREASE FITTING	1
26	CFA00549	GREASE FITTING 6MM X 1/8"	9
27	CHY02271	GREASE PIPE8 TOP DOOR D.S LONG	1
28	CHY02272	GREASE PIPE9 TOP DOOR D.S LONG	1
29	CFA00330	BOLT M12X80 Z/P	1
30	CFA00124	NUT M12 NYLOC	1
31	CFA00013	SPLIT PIN 5X50 Z/P	1
32	CFA00135	WASHER FLAT 1" Z/P	1
33	CFA00131	NUT M6 NYLOC	6
34	CFA00099	SETSCREW M6X40 Z/P	2
35	CFA00028	BOLT M10X65 Z/P	27
36	CFA00123	NUT M10 NYLOC	4
37	CFA00048	SHIM 50X62X1.0	27
38	CFA00201	WASHER FLAT 10 MM Z/P	4
39	CFA00024	SETSCREW M10X25 Z/P	2
40	CFA00519	SETSCREW M8X16 FLD ZP	3
41	CHY02151	GREASE PIPE 1 TOP DOOR D.S	1
42	CHY02152	GREASE PIPE 2 TOP DOOR D.S	1
43	CHY02153	GREASE PIPE 3 TOP DOOR D.S	1
44	CHY02154	GREASE PIPE 4 TOP DOOR D.S	1
45	CHY02155	GREASE PIPE 5 TOP DOOR D.S	1
46	CHY02156	GREASE PIPE 6 TOP DOOR D.S	1
47	CHY02157	GREASE PIPE 7 TOP DOOR D.S	1
48	CFA00587	BOLT M6X20 CSK ZP	4

No.	Part No	Description	Qty
49	CFA00144	WASHER FLAT 6MM Z/P	4
50	ACH00170	HINGE ASSY BALER DOOR	1
51	CBR00051	BEARING GLACIER PM 170 X 25	1
52	CFA00118	GREASE NIPPLE M8X1.25 STRAIGHT	1
53	CZE00131	5MM L BALER DOOR HINGE PART	1
54	CMH00745	BUSH 12X25X25	7
55	CRA00166	RAM TOP DOOR FUSION	2
<i>UP TO SERIAL NO. 650620</i>			
55	CRA00253	RAM TOP DOOR FUSION	2
<i>FROM SERIAL NO. 650621</i>			
56	CZD00118	4MM L CUT& TIE SPACER	2
57	CFA00251	WASHER SKM10	2
58	CFA00417	NUT M12X1.5 NYLOC FINE THREAD	7
59	CFA00586	BOLT M12X60X10.9 FINDTHREAD ZP	7

## **Rollers (510)**

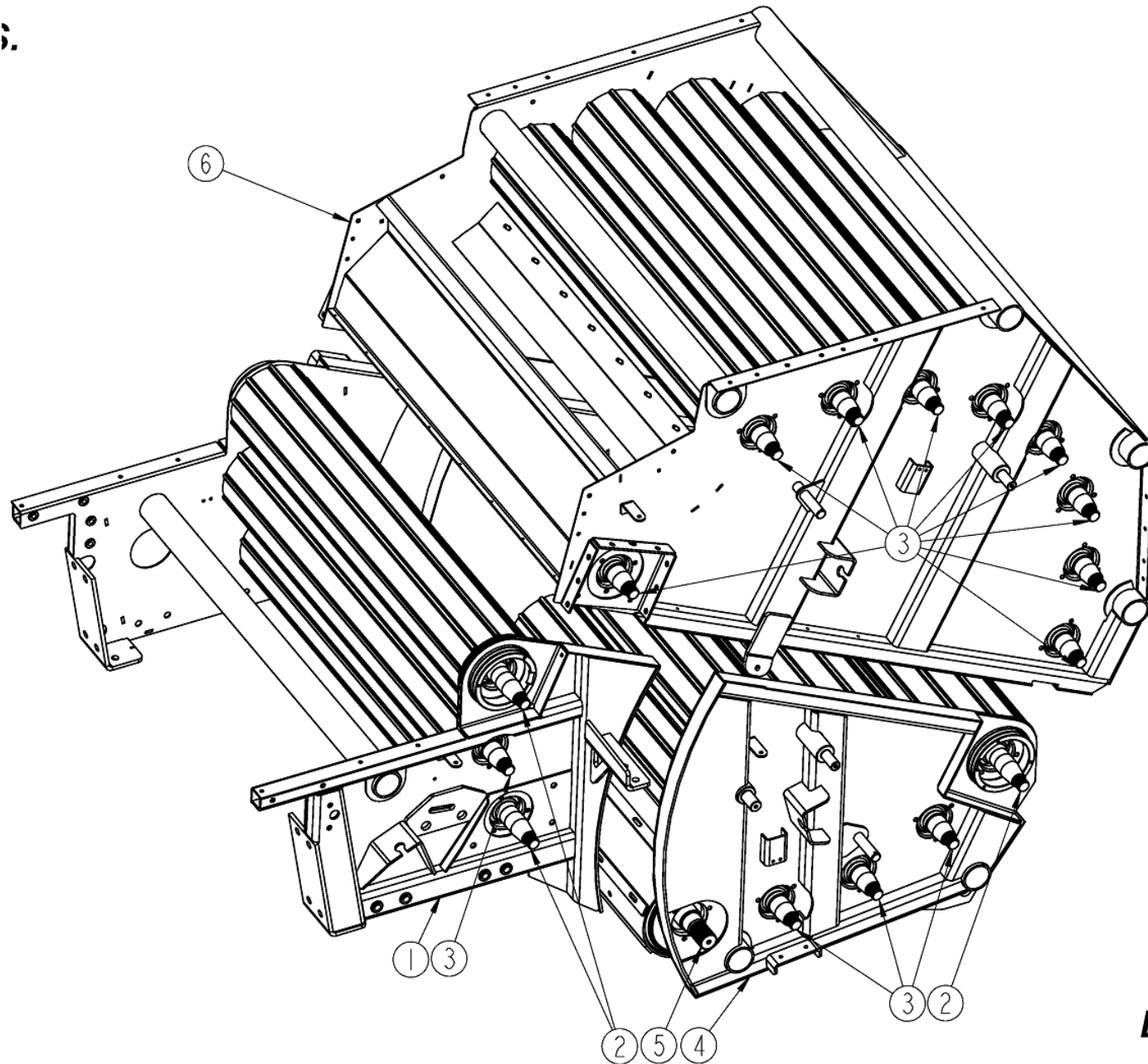


No.	Part No	Description	Qty
1	ARC00029	ROLLER STD SHAFT	1
2	CMH00696	FLANGE 90X140X25 MACHINED DS	1
3	CPL00052	NYLON SEAL ROLLER DRIVE SIDE	1
4	CMH00697	FLANGE 90X145X25 MACHINED NDS	1
5	CPL00053	NYLON SEAL ROLLER NON DRIVE	1
6	CBR00083	BEARING 1726210-2RS RADIAL	1
7	ARC00023	ROLLER LONG SHAFT	1
9	ARC00243	ROLLER CLEATED KIT ASY	1
<i>UP TO SERIAL NO. 654555 (KIT INCLUDES BOTH NYLON SEAL ROLLERS + SPROCKET)</i>			
9	ARC00183	ROLLER CLEATED	1
<i>FROM SERIAL NO. 654556</i>			
10	CPL00052	NYLON SEAL ROLLER DRIVE SIDE	1
<i>UP TO SERIAL NO. 654555</i>			
10	CPL00108	NYLON SEAL ROLLER (LARGE) DRIVE SIDE	1
<i>FROM SERIAL NO. 654556</i>			
11	CPL00053	NYLON SEAL ROLLER NON DRIVE	1
<i>UP TO SERIAL NO. 654555</i>			
11	CPL00107	NYLON SEAL ROLLER (LARGE) NON DRIVE	1
<i>FROM SERIAL NO. 654556</i>			
12	ARC00030	ROLLER STD SHAFT ASY	14
14	ARC00028	ROLLER LONG SHAFT ASY	3
15	ARC00238	ROLLER CLEATED ASY	1
<i>FROM SERIAL NO. 654556</i>			

No.	Part No	Description	Qty
-----	---------	-------------	-----

**Roller locations (73)**

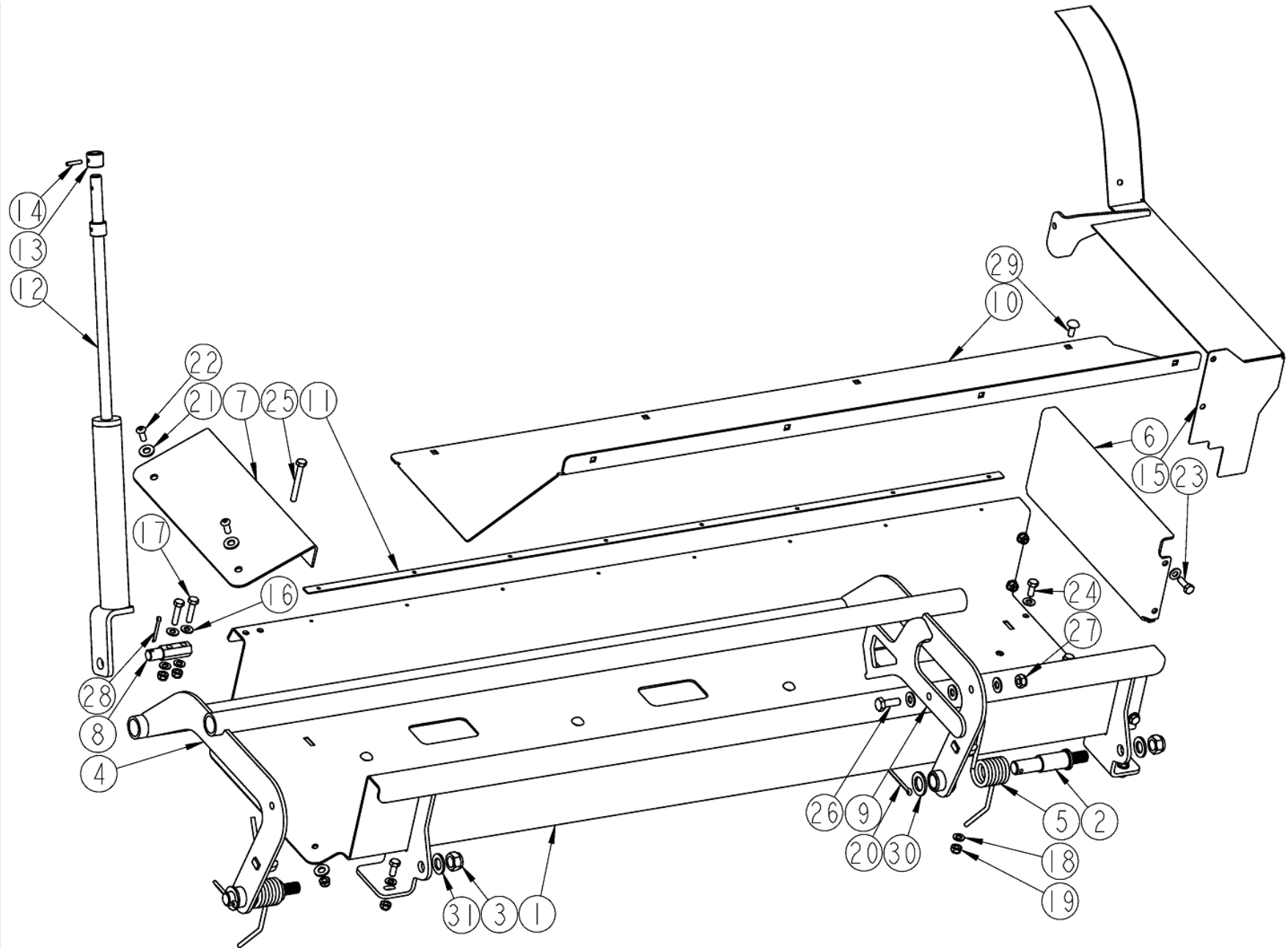
).



No.	Part No	Description	Qty
1	ACH00168	BALER FRONT SECTION WELD ASSY	1
2	ARC00028	BALER ROLLER 3 BOLT FLANGE	3
3	ARC00030	BALER ROLLER STD COMP. ASSY.	13
4	ACH00171	BOTTOM DOOR WELD ASY	1
5	ARC00034	FRONT CHAMBER ROLLER COMP. ASY	1
6	ACH00172	TOP DOOR WELD ASSY	1

No.	Part No	Description	Qty
-----	---------	-------------	-----

**Net box [old net brake spring] (75)**

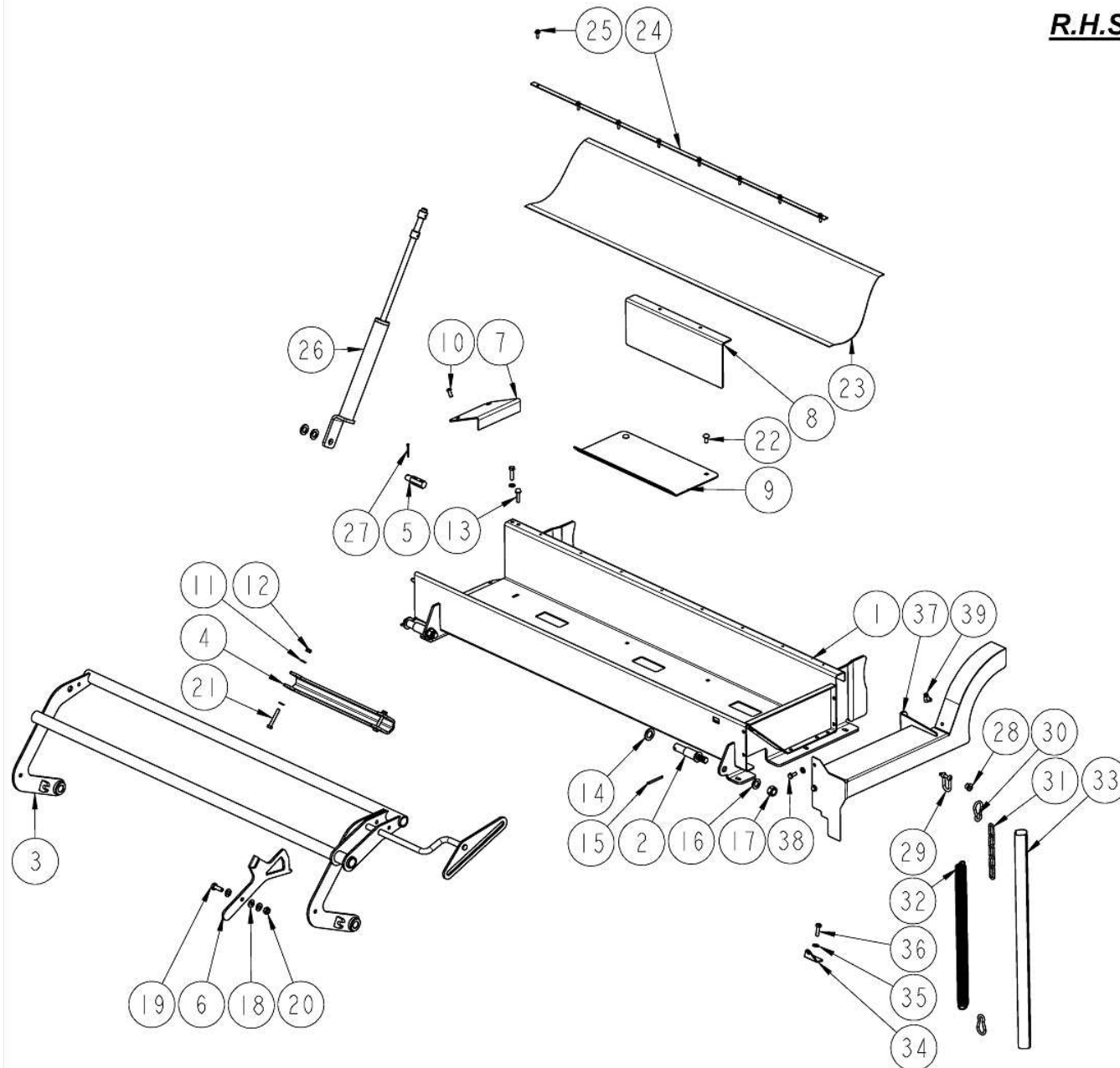


No.	Part No	Description	Qty
1	ACH00536	NET BOX MAIN FRAME WELD ASSY	1
2	CMH00418	PIN 20X30X125 STEPPED&M16THREAD	2
3	CFA00128	NUT M16 NYLOC	2
4	ACH00250	NET BOX BRAKE ASSY	1
5	CSG00012	SPRING TOR 5.893X41X46.55X6.9	2
6	CZC02074	3MM L NET CARRIER PART	1
7	CZC02075	3MM L NET CARRIER PART	1
8	CMH00618	PIN 25X70 STEPPED	1
9	CZF02742	6MM L NET BOX PART	1
10	CZC02225	3MM L NET BOX PART BALER	1
11	CZB02179	1.5MM L CURTIN RETAINER STRIP	1
12	ACH00293	NET UNIT KNIFE RESET ASSY	1
13	CMH00767	BUSH 16X25X20 5MM C HOLE	2
14	CFA00199	ROLL PIN 5X25 ZP	2
15	CGD00059	GUARD CHAMBER DRIVE CHAIN BOTTOM	1
16	CFA00249	WASHER SKM8	9
17	CFA00055	BOLT M8X35 ZP	2
18	CFA00147	WASHER FLAT 8MM ZP	20
19	CFA00132	NUT M8 NYLOC ZP	22
20	CFA00013	SPLIT PIN 5X50 ZP	2
21	CFA00201	WASHER FLAT 10 MM ZP	7
22	CFA00429	SETSCREW M8X20 BUTTON HEAD ZP	2
23	CFA00102	SETSCREW M8X25 ZP	2
24	CFA00052	SETSCREW M8X20 ZP	7
25	CFA00056	BOLT M8X65 ZP	4
26	CFA00025	SETSCREW M10X30	1
27	CFA00123	NUTM10 NYLOC	1
28	CFA00450	SPLIT PIN 4 X36 ZP	1
29	CFA00506	SETSCREW M8X20 CUPHEAD SQ. ZP	8
30	CFA00413	WASHER FLAT 20MM ZP	2
31	CFA00140	WASHER FLAT 16MM ZP	2

No.	Part No	Description	Qty
-----	---------	-------------	-----

**Net box [up to serial no. 650620] (76)**

**R.H.S.**

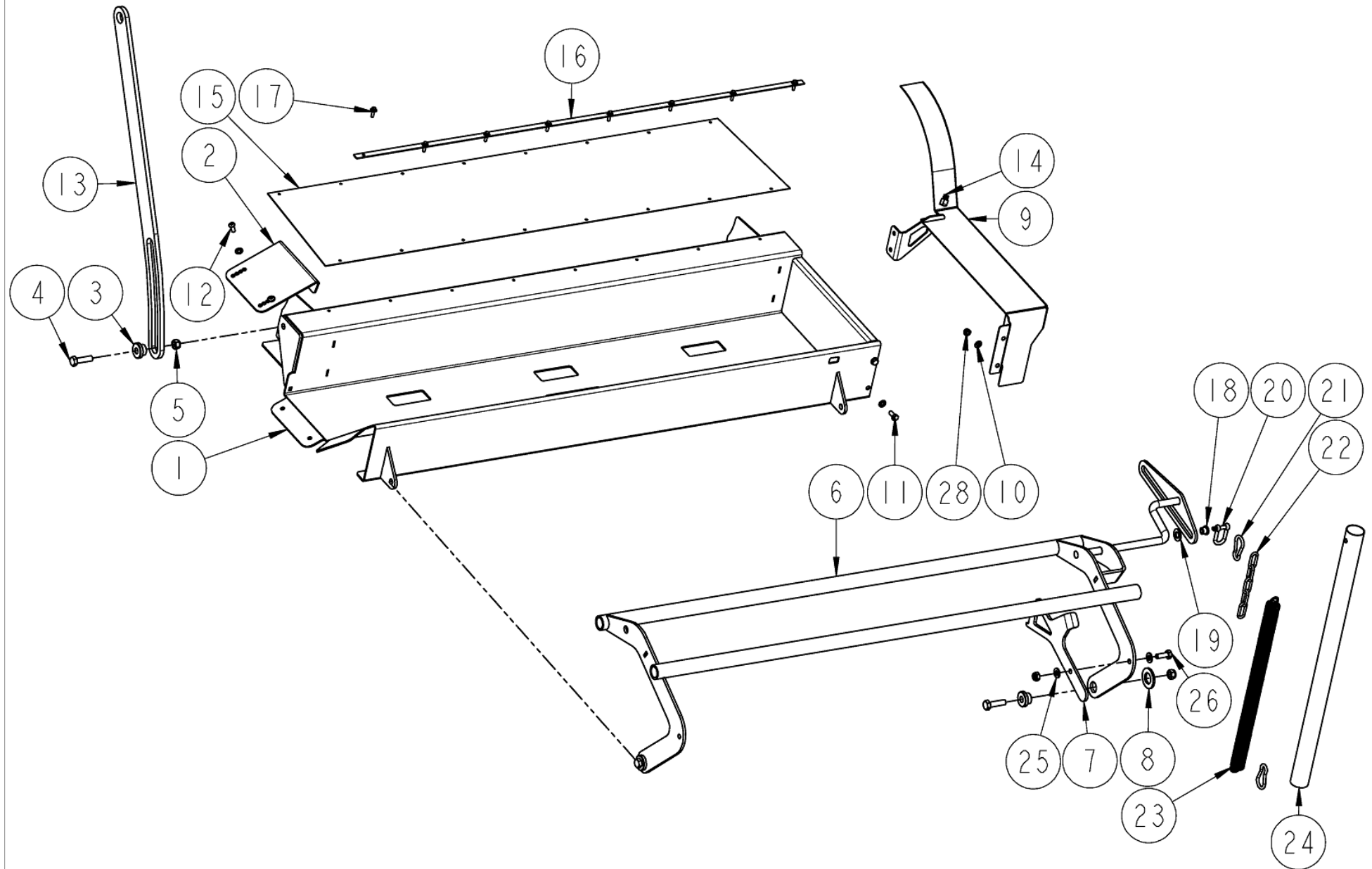




No.	Part No	Description	Qty
1	ACH00547	NET BOX WELD ASSY FUSION	1
2	CMH00418	PIN 20X30X125 STEPPED&M16THREAD	2
3	ACH00250	NET BOX BRAKE ASSY	1
4	CZF03206	6MM L NET BAR PART ST BALER	1
5	CMH00618	PIN 25X70 STEPPED	1
6	CZF02742	6MM L NET BOX PART	1
7	CZC02248	3MM L NET CARRIER PART	1
8	CZC03094	3MM LNET BOX ROLL SPACER	1
9	CZC03096	3MM LNET BOX ROLL SPACER	1
10	CFA00429	SETSCREW M8X20 BUTTON HEAD Z/P	2
11	CFA00147	WASHER FLAT 8MM Z/P	18
12	CFA00132	NUT M8 NYLOC Z/P	11
13	CFA00055	BOLT M8X35 Z/P	2
14	CFA00413	WASHER FLAT 20MM Z/P	2
15	CFA00013	SPLIT PIN 5X50 Z/P	2
16	CFA00140	WASHER FLAT 16MM Z/P	4
17	CFA00128	NUT M16 NYLOC	2
18	CFA00201	WASHER FLAT 10 MM Z/P	3
19	CFA00025	SETSCREW M10X30	1
20	CFA00123	NUT M10 NYLOC	1
21	CFA00108	BOLT M8X55 Z/P	2
22	CFA00506	SETSCREW M8X20 CUPHEAD SQ ZP	2
23	CBE00031	CANVAS NET BOX COVER	1
24	CZB02179	1.5MM L CURTIN RETAINER STRIP	1
25	CFA00619	TEK SCREW M6 GALV. DIPPED	8
26	ACH00293	NET UNIT KNIFE RESET ASSY	1
27	CFA00450	SPLIT PIN 4 X36 Z/P	1
28	CMH00742	BUSH 8X20X13 Z/P	1
29	CFA00676	D SHACKLE 8MM	1
30	CFA00677	DOG CLIP 5X50MM	2
31	CCH02029	NET ROLL TENSIONER CHAIN	1
32	CSG00057	SPRING 3.66X31.5X450	1
33	CHY02331	LAY FLAT TUBE 60X700MM	1
34	CZC03100	3MM L SPRING BRACKET FUSION	1
35	CFA00249	WASHER SKM8	1
36	CFA00316	BOLT M8X30 Z/P	1
37	CGD00059	GUARD CHAMBER DRIVE CHAIN BOTTOM	1
38	CFA00052	SETSCREW M8X20 Z/P	3
39	CFA00543	6MM X 1/8" 90° GREASE FITTING	1

No.	Part No	Description	Qty
-----	---------	-------------	-----

**Net box [from serial no. 650621] (77)**



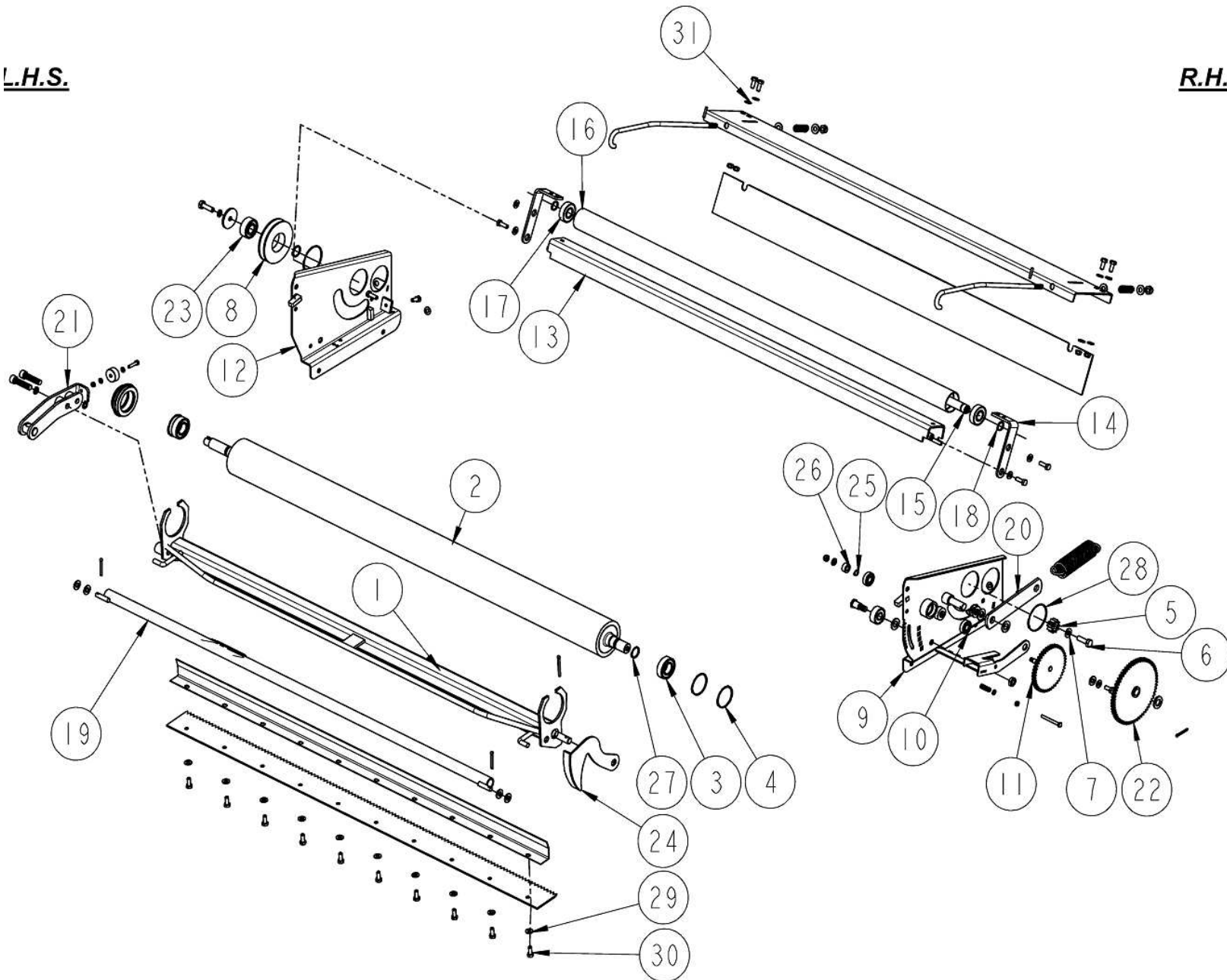
No.	Part No	Description	Qty
1	ACH00866	NET BOX WELD ASSY FUSION	1
2	CZC02248	3MM L NET CARRIER PA	1
3	CMH00771	BUSH 12X35 STEPPED	3
4	CFA00079	BOLT M12X45	3
5	CFA00124	NUT M12 NYLOC	3
6	ACH00869	NET BOX BRAKE ASSY FUSION	1
7	CZF02742	6MM L NET BOX PART	1
8	CFA00135	WASHER FLAT 1" Z/P	2
9	CGD00101	GUARD CHAMBER DRIVE CHAIN BOTTOM	1
10	CFA00147	WASHER FLAT 8MM Z/P	12
11	CFA00052	SETSCREW M8X20 Z/P	4
12	CFA00429	SETSCREW M8X20 BUTTON HEAD Z/P	2
13	CZH02992	6MM L NET RESET ARM	1
14	CFA00543	6MM X 1/8" 90° GREASE FITTING	1
15	CBE00031	CANVAS NETBOX COVER	1
16	CZB02179	1.5MM L CURTIN RETAINER STRIP	1
17	CFA00619	TEK SCREW M6 GALV. DIPPED	8
18	CMH00742	BUSH 8X20X13 Z/P	1
19	CFA00222	WASHER FLAT 14MM Z/P	1
20	CFA00676	D SHACKLE 8MM	1
21	CFA00677	DOG CLIP 5X50MM	2
22	CCH02029	NET ROLL TENSIONER CHAIN	1
23	CSG00057	SPRING 3.66X31.5X450	1
24	CHY02331	LAY FLAT TUBE 60MM X700MM	1
25	CFA00201	WASHER FLAT 10 MM Z/P	3
26	CFA00025	SETSCREW M10X30	1
27	CFA00123	NUT M10 NYLOC	1
28	CFA00132	NUT M8 NYLOC Z/P	6

No.	Part No	Description	Qty
-----	---------	-------------	-----

**Netter unit [up to serial no. 650620] 1 (78)**

**L.H.S.**

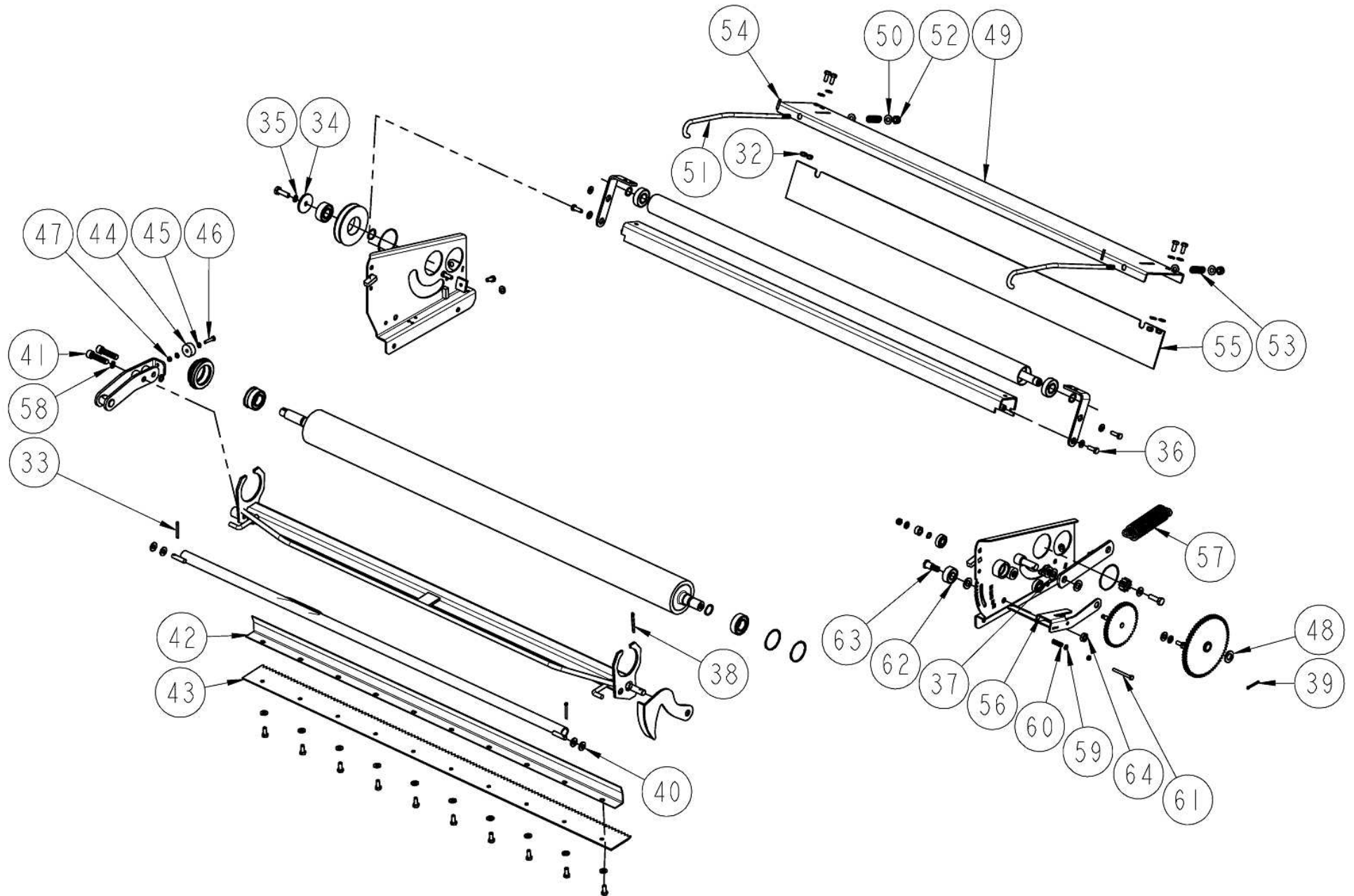
**R.H.S.**



No.	Part No	Description	Qty
1	ACH00281	KNIFE HOLDER ASSY. (NET UNIT)	1
2	ARC00044	ROLLER NET UNIT (LARGE)	1
3	CBR00009	BEARING 6205 2RS	2
4	CFA00461	CIRCLIP 52MM INTERNAL	4
5	CMH00603	GEAR SPUR MOD 2.5 10 TOOTH	1
6	CFA00016	BOLT M10X35	2
7	CFA00251	WASHER SKM10	1
8	CMH00596	V BELT PULLEY WHEEL	1
9	ACH00278	NET UNIT (LEFT) WELD ASSY.	1
10	CBR00067	BEARING 6201	2
11	ACH00279	PLATEWHEEL ASSY. NET UNIT	1
12	ACH00277	NET UNIT (RIGHT) WELD ASSY.	1
13	ACH00282	SMALL NET ROLLER GUARD	1
14	CZE00136	5MM L NET UNIT BRACKET	2
15	MOD00013	KIT STEEL NETTER ROLLER MOD <i>REPLACEMENT KIT REPLACING CMH00600, CMH00601 &amp; CBR00020</i>	1
16	MOD00013	KIT STEEL NETTER ROLLER MOD <i>REPLACEMENT KIT REPLACING CMH00600, CMH00601 &amp; CBR00020</i>	1
17	CBR00020	BEARING 6204 2RS <i>USED WITH ALUMINIUM ROLLER ONLY. REPLACED BY CBR00024 ON STEEL ROLLER</i>	2
18	CFA00339	CIRCLIP 20MM EXTERNAL	2
19	ACH00280	NET UNIT LOCK BAR ASSY.	1
20	CZF02655	6MM L NET UNIT LINK ARM PART	1
21	ACH00291	NET UNIT KNIFE RESET ARM	1
22	ARC00050	SPROCKET 64/12 TOOTH ASSY	1
23	CBR00084	BEARING SEALED SPRAG CLUTCH	1
24	ACH00369	NET RELEASE UNIT ASSY.	1
25	CFA00499	CIRCLIP 10MM EXTERNAL	1
26	CMH00705	BUSH 10X25X10 NYLON	1
27	CFA00001	CIRCLIP 25MM EXTERNAL Z/P	2
28	CFA00501	CIRCLIP 65MM EXTERNAL	2
29	CFA00249	WASHER SKM8	17
30	CFA00052	SETSCREW M8X20 Z/P	17
31	CFA00147	WASHER FLAT 8MM Z/P	7

No.	Part No	Description	Qty
-----	---------	-------------	-----

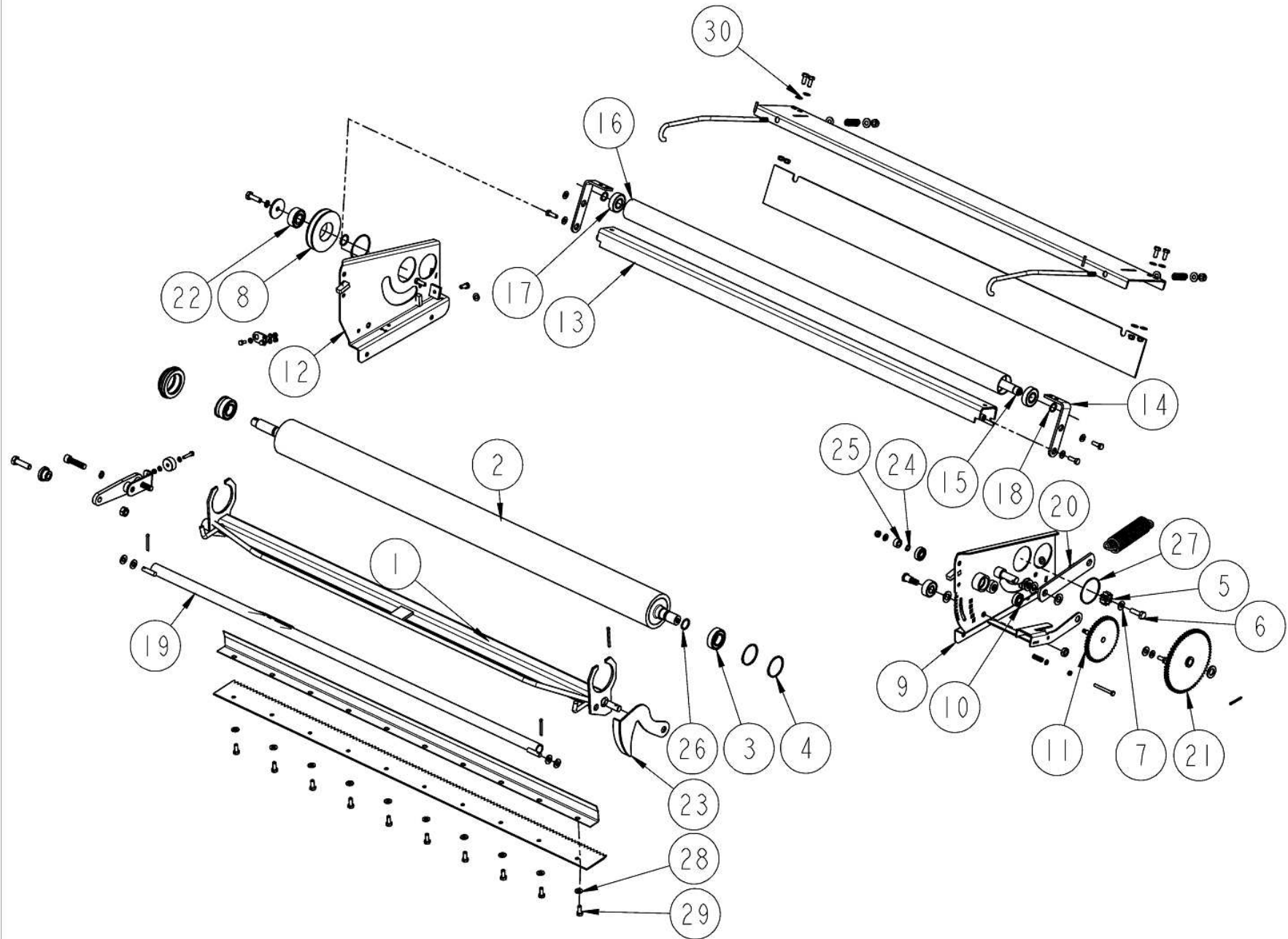
**Netter unit [up to serial no. 650620] 2 (79)**



No.	Part No	Description	Qty
32	CFA00132	NUT M8 NYLOC Z/P	5
33	CFA00475	SPLIT PIN 5X40 Z/P	2
34	CZD00121	4MM L CUT & TIE SPACER Z/P	1
35	CFA00137	WASHER SPRING 10MM H.D Z/P	1
36	CFA00102	SETSCREW M8X25 Z/P	4
37	CFA00222	WASHER FLAT 14MM Z/P	6
38	CFA00556	SPLIT PIN 6X50 Z/P	1
39	CFA00450	SPLIT PIN 4 X36 Z/P	1
40	CFA00201	WASHER FLAT 10 MM Z/P	5
41	CFA00557	BOLT M12X50 SOC CAP ZP	2
42	CZB02093	1.5MM L KNIFE GUARD PEICE	1
43	CKN00013	KNIFE FOR NET UNIT VERSION 2	1
44	CEL00017	MAGNET BLUE WHEEL	1
45	CFA00144	WASHER FLAT 6MM Z/P	2
46	CFA00190	SETSCREW M6X30 STAINLESS STEEL	1
47	CFA00131	NUT M6 NYLOC	2
48	CFA00140	WASHER FLAT 16MM Z/P	1
49	CZC02215	3MM L DIRT COVER FOR NET UNIT	1
50	CFA00201	WASHER FLAT 10 MM Z/P	4
51	CXR00117	ROD 10MM X 430 THREADED	2
52	CFA00123	NUT M10 NYLOC	2
53	CSG00033	SPRING COMP 2.5WDX15ODX9 COIL	2
54	CFA00199	ROLL PIN 5X25 Z/P	2
55	CBE00032	CANVIS 1250X100 NET ROLLER COVER	1
56	ATR00023	NET LENGTH HANDLE ASSY	1
57	CSG00017	SPRING EXT 4.47X40.6X176X26	1
58	CFA00623	WASHER SPRING 12MM Z/P	2
59	CFA00641	WASHER FLAT 6MM NYLON	1
60	CSG00049	SPRING COMP 1.6X11.6X30X10	1
61	CFA00054	SETSCREW M6X60 Z/P	1
62	CBR00081	BEARING CAM INA LR 5202 NPPU	1
63	CMH00672	BOLT SHOULDER 3/4" HEX SHAFT	1
64	CFA00446	NUT M12 LOCK/HALF NUT	1

No.	Part No	Description	Qty
-----	---------	-------------	-----

**Netter unit [from serial no. 650621] 1 (80)**

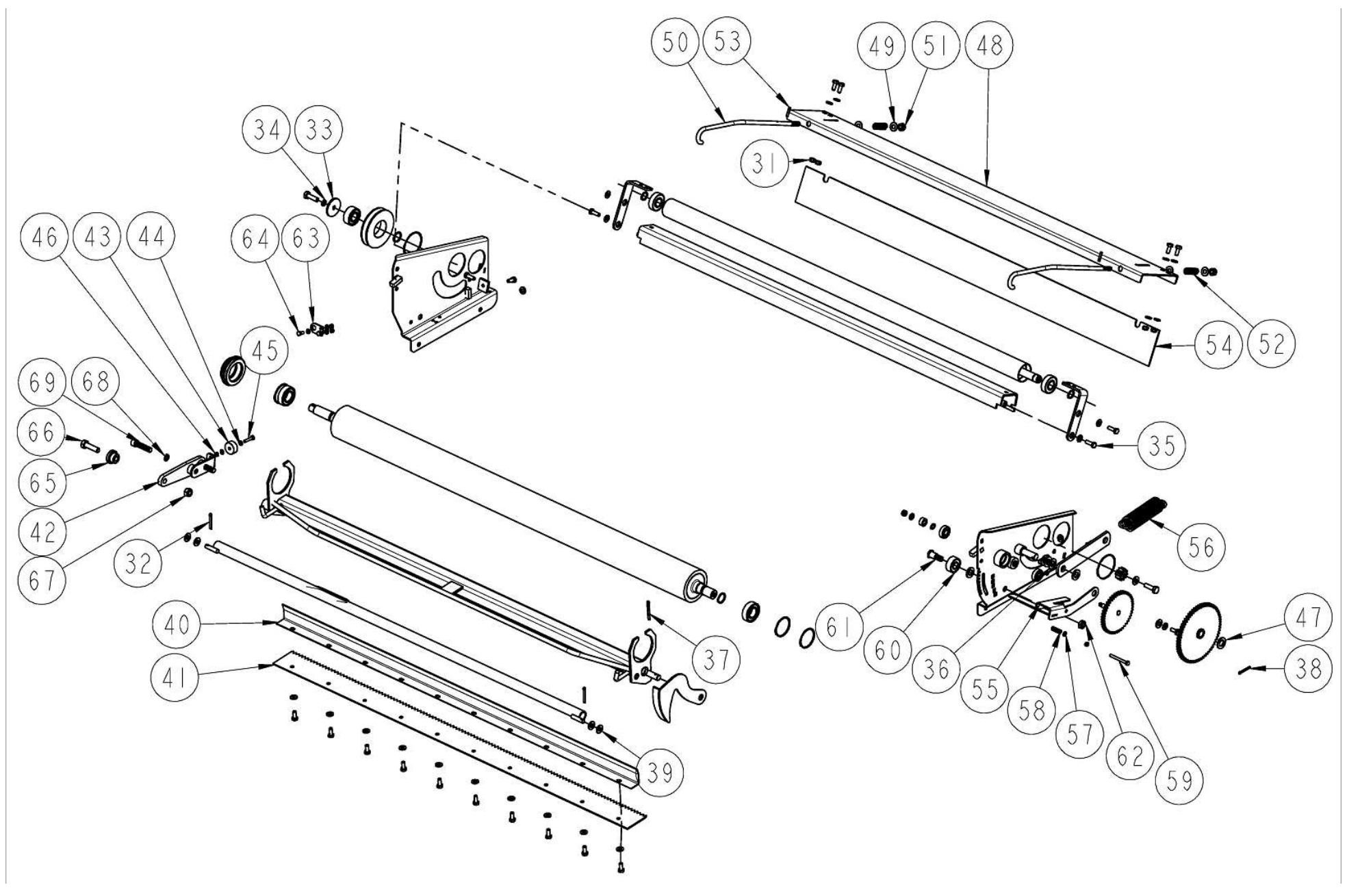




No.	Part No	Description	Qty
1	ACH00281	KNIFE HOLDER ASSY. (NET UNIT)	1
2	ARC00044	ROLLER NET UNIT (LARGE)	1
3	CBR00009	BEARING 6205 2RS	2
4	CFA00461	CIRCLIP 52MM INTERNAL	4
5	CMH00603	GEAR SPUR MOD 2.5 10 TOOTH	1
6	CFA00016	BOLT M10X35	2
7	CFA00251	WASHER SKM10	1
8	CMH00596	V BELT PULLEY WHEEL	1
9	ACH00278	NET UNIT (LEFT) WELD ASSY.	1
10	CBR00067	BEARING 6201	2
11	ACH00279	PLATEWHEEL ASSY. NET UNIT	1
12	ACH00277	NET UNIT (RIGHT) WELD ASSY	1
13	ACH00282	SMALL NET ROLLER GUARD	1
14	CZE00136	5MM L NET UNIT BRACKET	2
15	MOD00013	KIT STEEL NETTER ROLLER MOD <i>REPLACEMENT KIT REPLACING CMH00600, CMH00601 &amp; CBR00020</i>	1
16	MOD00013	KIT STEEL NETTER ROLLER MOD <i>REPLACEMENT KIT REPLACING CMH00600, CMH00601 &amp; CBR00020</i>	1
17	CBR00020	BEARING 6204 2RS <i>USED WITH ALUMINIUM ROLLER ONLY. REPLACED BY CBR00024 ON STEEL ROLLER</i>	2
18	CFA00339	CIRCLIP 20MM EXTERNAL	2
19	ACH00280	NET UNIT LOCK BAR ASSY.	1
20	CZF02655	6MM L NET UNIT LINK ARM PART	1
21	ARC00050	SPROCKET 64/12 TOOTH ASSY	1
22	CBR00084	BEARING SEALED SPRAG CLUTCH	1
23	ACH00369	NET RELEASE UNIT ASSY.	1
24	CFA00499	CIRCLIP 10MM EXTERNAL	1
25	CMH00705	BUSH 10X25X10 NYLON	1
26	CFA00001	CIRCLIP 25MM EXTERNAL Z/P	2
27	CFA00501	CIRCLIP 65MM EXTERNAL	2
28	CFA00249	WASHER SKM8	17
29	CFA00052	SETSCREW M8X20 Z/P	17
30	CFA00147	WASHER FLAT 8MM Z/P	7

No.	Part No	Description	Qty
-----	---------	-------------	-----

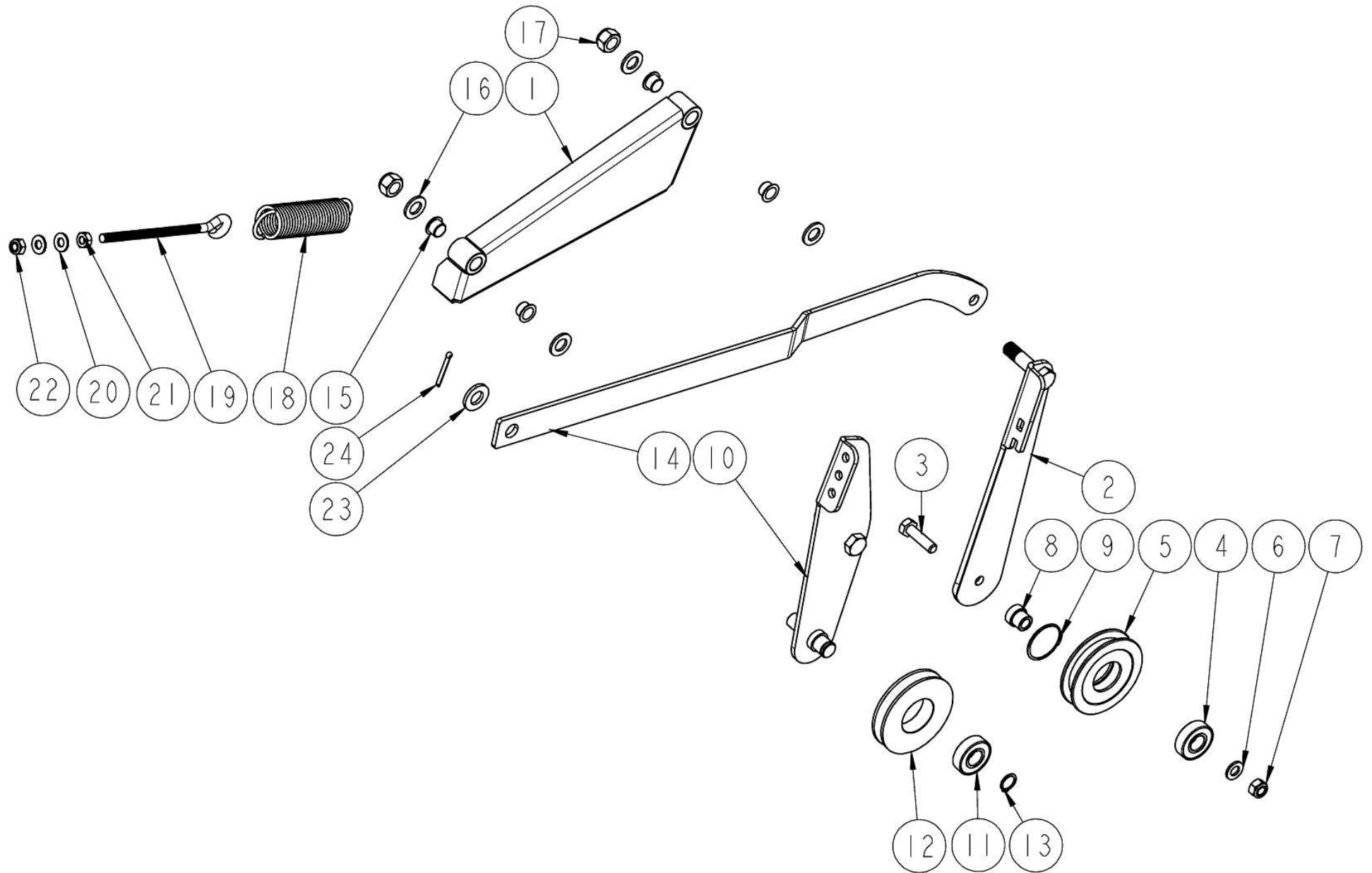
**Netter unit [from serial no. 650621] 2 (81)**



No.	Part No	Description	Qty
31	CFA00132	NUT M8 NYLOC Z/P	5
32	CFA00475	SPLIT PIN 5X40 Z/P	2
33	CZD00121	4MM L CUT & TIE SPACER Z/P	1
34	CFA00137	WASHER SPRING 10MM H.D Z/P	1
35	CFA00102	SETSCREW M8X25 Z/P	4
36	CFA00222	WASHER FLAT 14MM Z/P	6
37	CFA00556	SPLIT PIN 6X50 Z/P	1
38	CFA00450	SPLIT PIN 4 X36 Z/P	1
39	CFA00201	WASHER FLAT 10 MM Z/P	5
40	CZB02093	1.5MM L KNIFE GUARD PEICE	1
41	CKN00013	KNIFE FOR NET UNIT VERSION 2	1
42	ACH00868	NET KNIFE RESET ARM FUSION	1
43	CEL00017	MAGNET BLUE WHEEL	1
44	CFA00144	WASHER FLAT 6MM Z/P	6
45	CFA00190	SETSCREW M6X30 STAINLESS STEEL	1
46	CFA00131	NUT M6 NYLOC	4
47	CFA00140	WASHER FLAT 16MM Z/P	1
48	CZC02215	3MM L DIRT COVER FOR NET UNIT	1
49	CFA00201	WASHER FLAT 10 MM Z/P	4
50	CXR00117	ROD 10MM X 430 THREADED	2
51	CFA00123	NUT M10 NYLOC	2
52	CSG00033	SPRING COMP 2.5WDX15ODX9 COIL	2
53	CFA00199	ROLL PIN 5X25 Z/P	2
54	CBE00032	CANVIS 1250X100 NET ROLLER COVER	1
55	ATR00023	NET LENGTH HANDLE ASSY	1
56	CSG00017	SPRING EXT 4.47X40.6X176X26	1
57	CFA00641	WASHER FLAT 6MM NYLON	1
58	CSG00049	SPRING COMP 1.6X11.6X30X10	1
59	CFA00054	SETSCREW M6X60 Z/P	1
60	CBR00081	BEARING CAM INA LR 5202 NPPU	1
61	CMH00672	BOLT SHOULDER 3/4" H	1
62	CFA00446	NUT M12 HEXAGON LOCK/HALF NUT	1
63	CZC02261	3MM L NET SENSOR BRACKET	1

No.	Part No	Description	Qty
-----	---------	-------------	-----

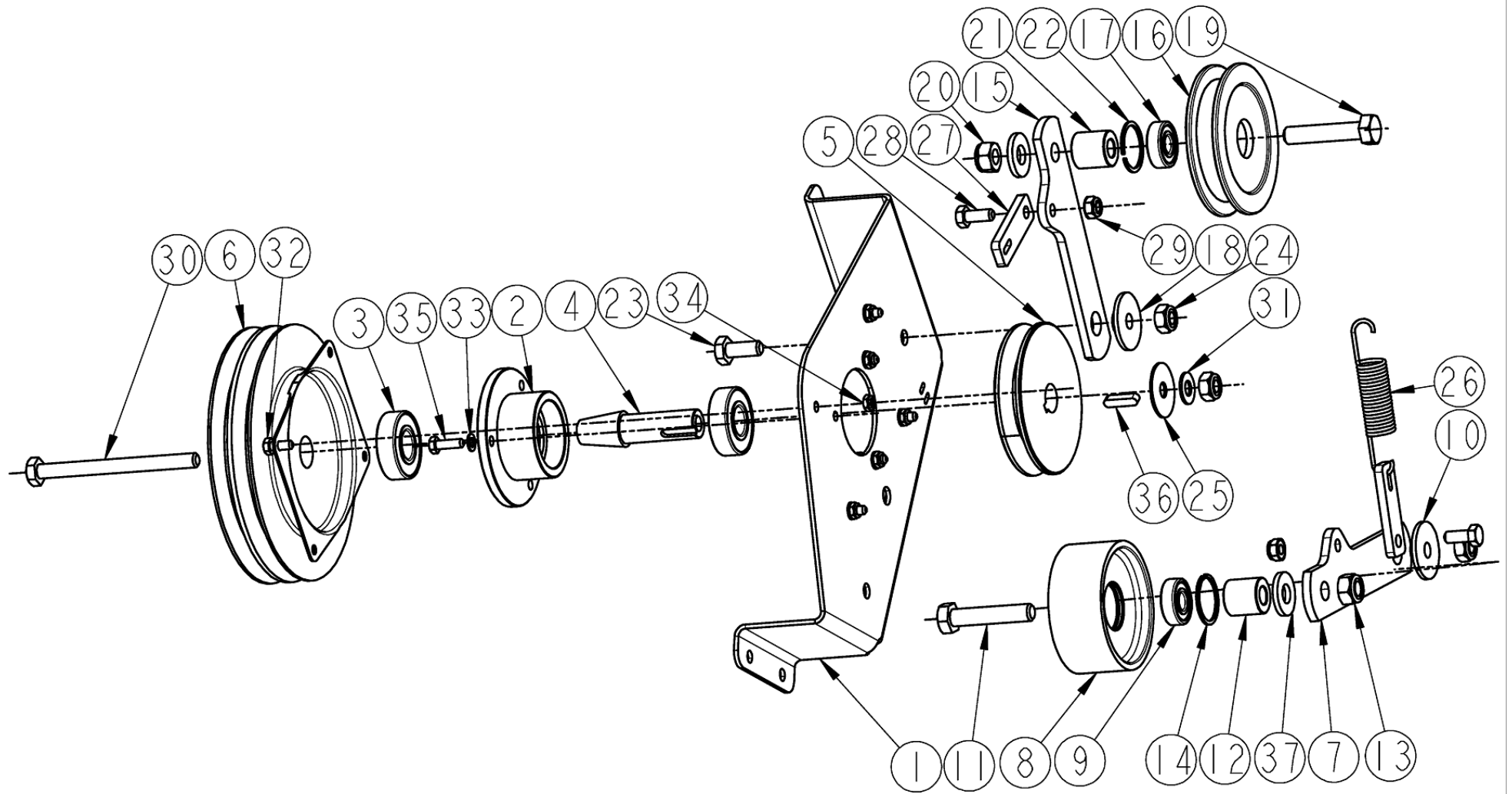
**Net tensioner (82)**



No.	Part No	Description	Qty
1	ACN00037	3MM NET TENSIONER WELD ASSY	1
2	ACN00036	IDLER BELT TENSIONER WELD ASSY	1
3	CFA00065	SETSCREW M12X45 Z/P	1
4	CBR00020	BEARING 6204 2RS	1
5	CMH00611	PULLEY 85MM OD GROVED	1
6	CFA00138	WASHER FLAT 12MM Z/P	1
7	CFA00124	NUT M12 NYLOC	1
8	CMH00936	BUSH 12X25 STEPPED 20	1
9	CFA00458	CIRCLIP 47MM INTERNAL	1
10	ACN00027	TENSIONER PIVOT WELD ASSY	1
11	CBR00020	BEARING 6204 2RS	1
12	CMH00596	V BELT PULLEY WHEEL	1
13	CFA00339	CIRCLIP 20MM EXTERNAL	1
14	CZF03045	6MM L NET TENSION LINK BAR	1
15	CBR00118	BEARING STEPPED PLAS 16X18X12	4
16	CFA00140	WASHER FLAT 16MM Z/P	4
17	CFA00128	NUT M16 NYLOC	2
18	CSG00229	SPRING EXT	1
19	CFA00680	BOLT EYE M10X195	1
20	CFA00201	WASHER FLAT 10 MM Z/P	2
21	CFA00008	NUT M10	1
22	CFA00123	NUT M10 NYLOC	1
23	CZD02424	4MM L WASHER 18.3X35X4 Z/P	1
24	CFA00475	SPLIT PIN 5X40 Z/P	1

No.	Part No	Description	Qty
-----	---------	-------------	-----

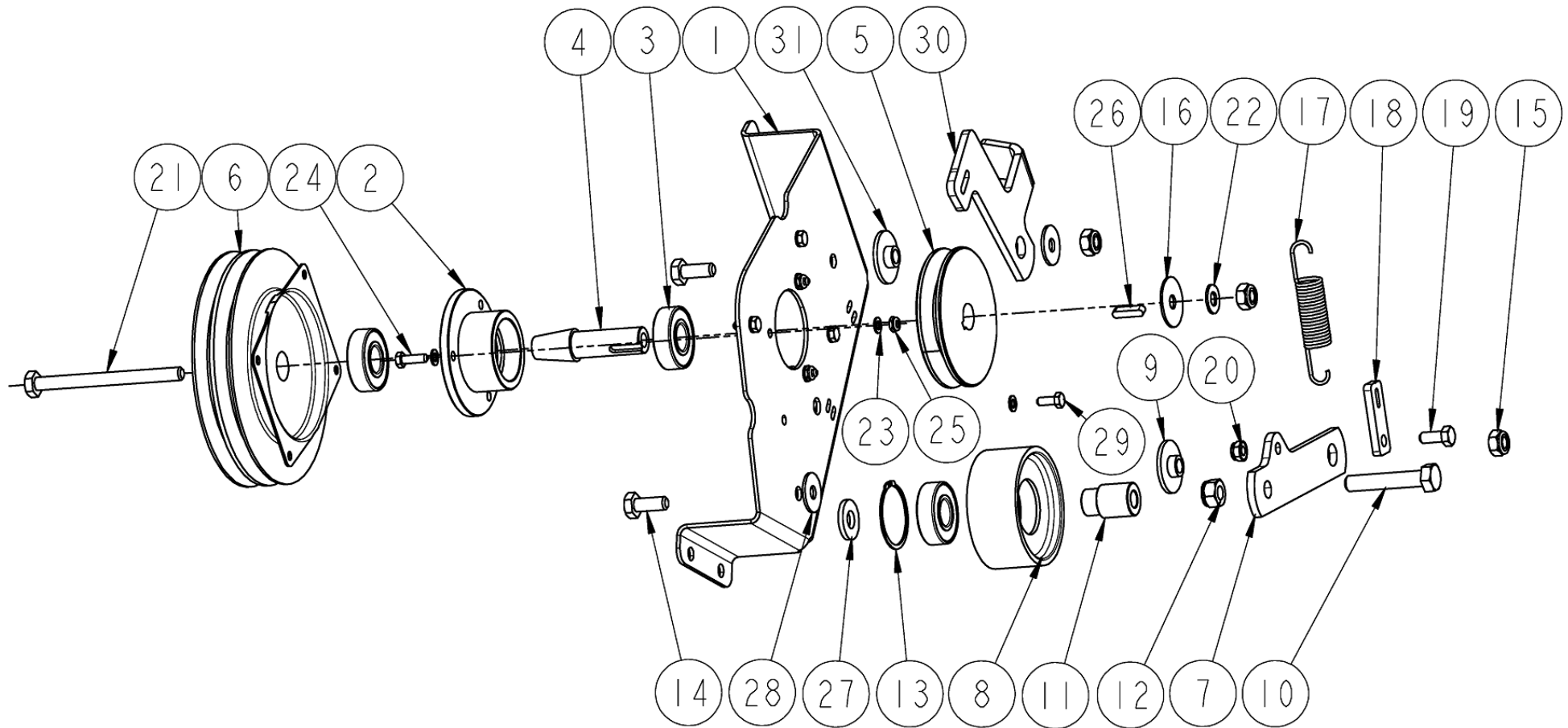
**Net clutch unit [without net tensioner] (83)**



No.	Part No	Description	Qty
1	CZC02101	3MM L CLUTCH UNIT PART	1
2	CMH00607	BUSH 47X96X35	1
3	CBR00020	BEARING 6204 2RS	2
4	CMH00606	SHAFT 25X79 TAPERED	1
5	CMH00609	PULLEY 20X110MM A SECTION	1
6	CEL00150	MAGNETIC CLUTCH UNIT 12V	1
7	CZF02653	6MM L BELT TENSIONER PART	1
8	CMH00610	PULLEY 90MM OD FLAT	1
9	CBR00067	BEARING 6201	1
10	CMH00613	BUSH 10X40	1
11	CFA00076	BOLT M12X60 ZP	1
12	CMH00745	BUSH 12X25X25	1
13	CFA00124	NUT M12 NYLOC	1
14	CFA00564	CIRCLIP 35MM INTERNAL	1
15	CZF02653	6MM L BEL T TENSIONER PART	1
16	CMH00611	PULLEY 85MM OD GROVED	1
17	CBR00067	BEARING 6201	1
18	CMH00613	BUSH 10X40	1
19	CFA00076	BOLT M12X60 ZP	1
20	CFA00124	NUT M12 NYLOC	1
21	CMH00745	BUSH 12X25X25	1
22	CFA00564	CIRCLIP 35MM INTERNAL	1
23	CFA00024	SETSCREW M10X25 ZP	2
24	CFA00123	NUT M10 NYLOC	3
25	CFA00134	WASHER MUDWING M10X38MM OD	1
26	CSG00034	SPRING EXT 2.5X20.5X97X50	1
27	CZF02801	6MM L NET UNIT SPRING BRCKT	2
28	CFA00052	SETSCREW M8X20 ZP	2
29	CFA00132	NUT M8 NYLOC ZP	2
30	CFA00573	BOLT M10X120 ZP	1
31	CFA00251	WASHER SKM10	1
32	CFA00045	SETSCREW M6X16	4
33	CFA00144	WASHER FLAT 6MM ZP	10
34	CFA00131	NUT M6 NYLOC	7
35	CFA00115	SETSCREW M6X20 ZP	3
36	CFA00583	KEY 6X6X25	1
37	CFA00139	WASHER FLAT 12MM HID ZP	2

No.	Part No	Description	Qty
-----	---------	-------------	-----

**Net clutch unit [with net tensioner] (84)**

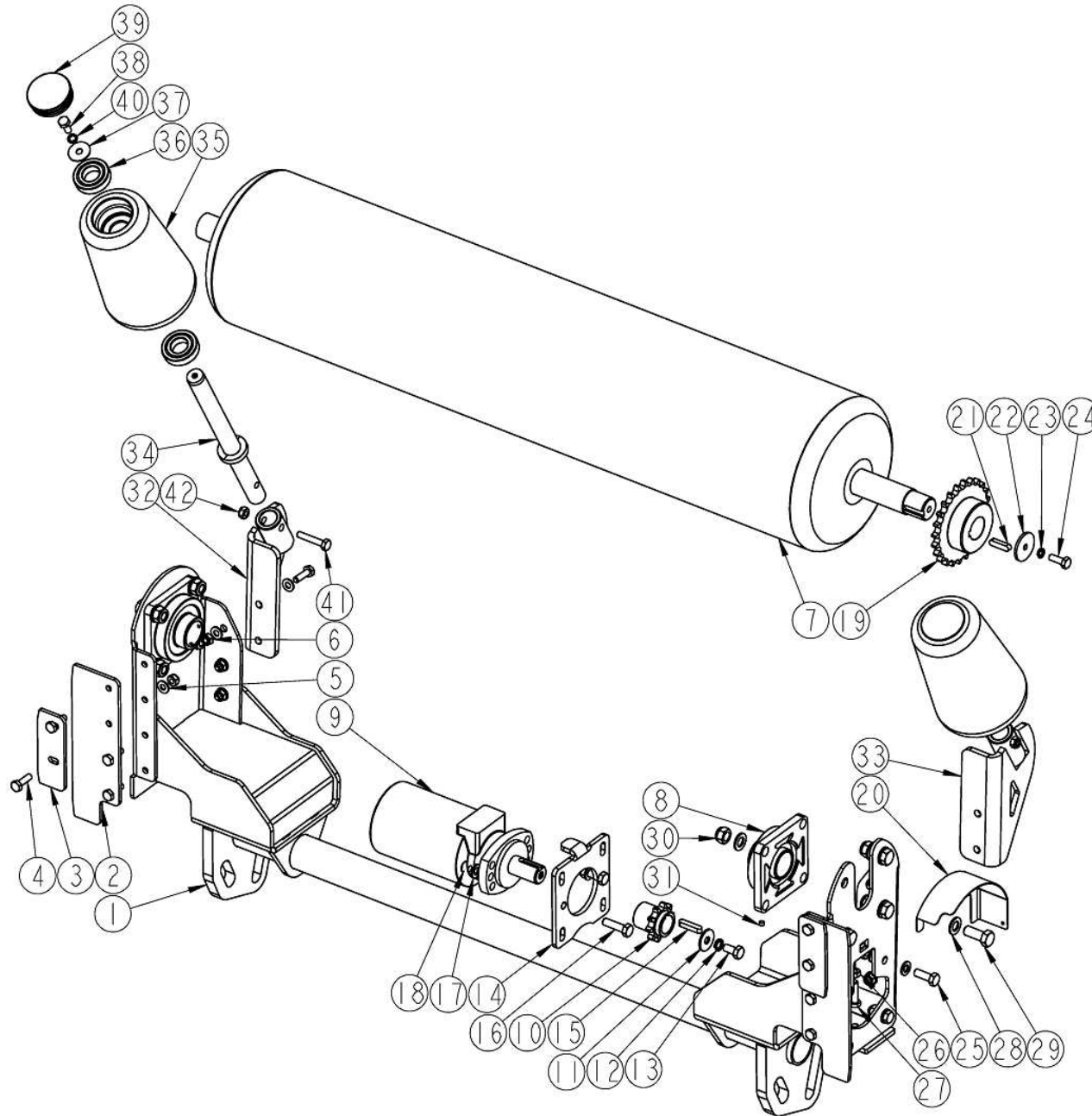




No.	Part No	Description	Qty
1	CZC02101	3MM L CLUTCH UNIT PART	1
2	CMH00607	BUSH 47X96X35	1
3	CBR00020	BEARING 6204 2RS	2
4	CMH00606	SHAFT 25X79 TAPERED	1
5	CMH00609	PULLEY 20X110MM A SECTION	1
6	CEL00150	MAGNETIC CLUTCH UNIT 12V	1
7	CZF02653	6MM L BELT TENSIONER PART	1
8	CMH00610	PULLEY 90MM OD FLAT	1
9	CMH00613	BUSH 10X40	1
10	CFA00579	BOLT M12X65 ZP	1
11	CMH00923	BUSH 12X25 STEPPED 20	1
12	CFA00124	NUT M12 NYLOC	1
13	CFA00458	CIRCLIP 47MM INTERNAL	1
14	CFA00024	SETSCREW M10X25 Z/P	2
15	CFA00123	NUT M10 NYLOC	3
16	CFA00134	WASHER MUDWING M10X38MM OD	1
17	CSG00034	SPRING EXT 2.5X20.5X97X50	1
18	CZF02801	6MM L NET UNIT SPRING BRCKT	1
19	CFA00052	SETSCREW M8X20 Z/P	1
20	CFA00132	NUT M8 NYLOC Z/P	1
21	CFA00573	BOLT M10X120 Z/P	1
22	CFA00251	WASHER SKM10	1
23	CFA00144	WASHER FLAT 6MM Z/P	14
24	CFA00115	SETSCREW M6X20 Z/P	3
25	CFA00131	NUT M6 NYLOC	7
26	CFA00583	KEY 6X6X25	1
27	CFA00139	WASHER FLAT 12MM H/D Z/P	1
28	CFA00639	WASHER MUDWING M10 30OD	2
29	CFA00045	SETSCREW M6X16	4
30	CZF03144	6MM L BELT TENSIONER PART	1
31	CMH00613	BUSH 10X40	1

No.	Part No	Description	Qty
-----	---------	-------------	-----

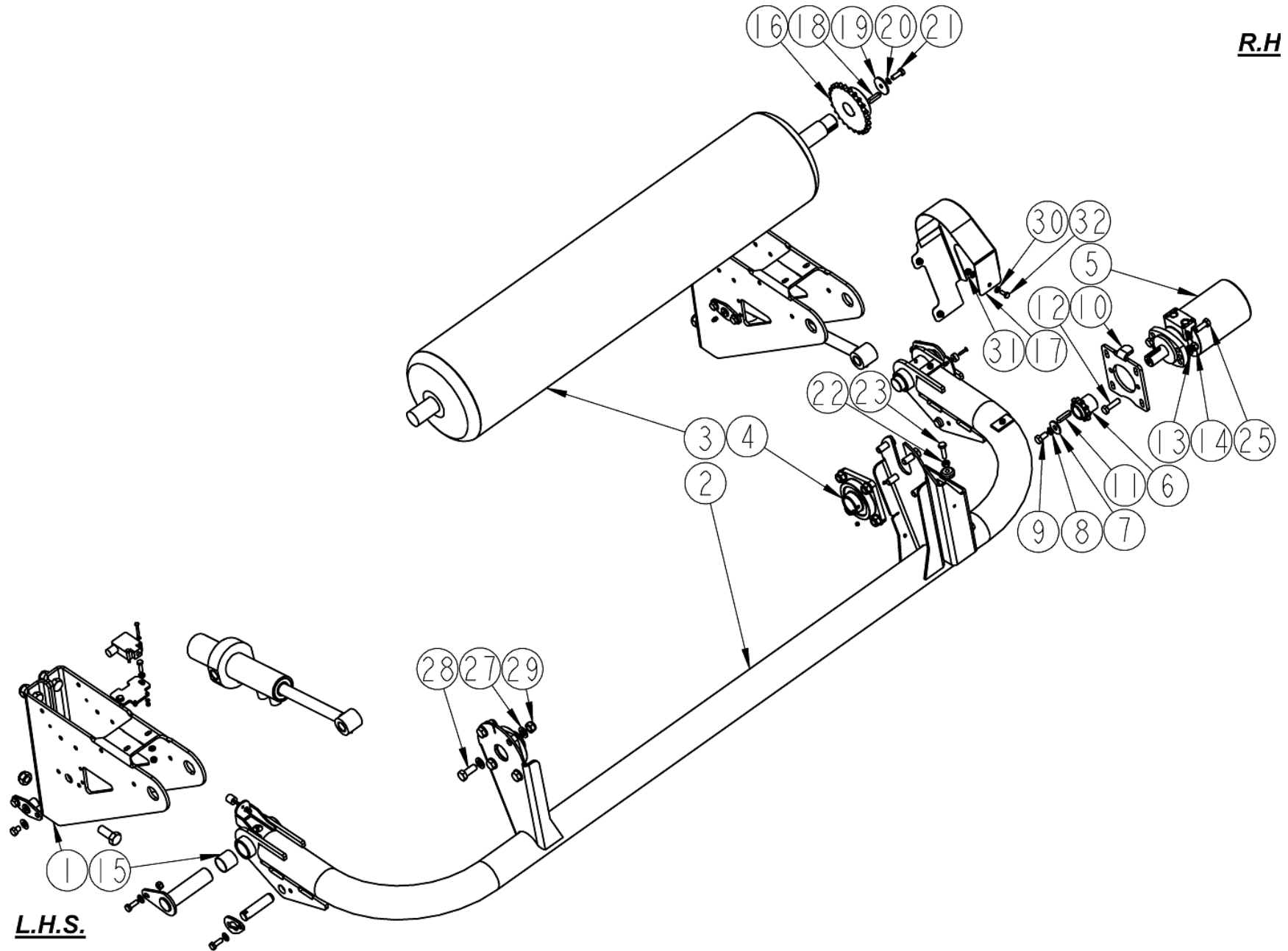
# Front wrapping cradle (85)



No.	Part No	Description	Qty
1	ARC00040	ROLLER CRADLE FRONT WELD ASSY	1
2	CZF02874	6MM L SLIDE ROLLER CRADLE	2
3	CZF02901	6MM L ROLLER CRADLE PART BALER	2
4	CFA00311	SETSCREW M10X35 ZP	8
5	CFA00201	WASHER FLAT 10 MM ZP	8
6	CFA00123	NUT M10 NYLOC	8
7	ART00016	TABLE DRIVE ROLLER COMBI 2000	1
8	CBR00046	BEARING FLANGE UNIT SF1 3/4"	2
9	CMT00069	MOTOR 625CC REAR PORT 32SHAFT	1
10	CMH00749	SPROCKET 3/4" PITCH 10 TOOTH	1
11	CZC02058	3MM L WASHER 38 X 12.5 X 3	1
12	CFA00207	WASHER SPRING 12MM HD ZP	1
13	CFA00031	SETSCREW M12X25 ZP	1
14	CZG02077	8MM L MOTOR PLATE PART	1
15	CFA00081	KEY 10X8X45	1
16	CFA00065	SETSCREW M12X45 ZP	2
17	CFA00138	WASHER FLAT 12MM ZP	2
18	CFA00124	NUT M12 NYLOC	2
19	CMH00396	SPROCKET 3/4" PITCH 24T 40 DIA	1
20	CGD00061	GUARD CHAIN ROLLER CRADLE	1
21	CFA00239	KEY 10X8X40	1
22	CZD00121	4MM L CUT & TIE SPACER ZP	1
23	CFA00137	WASHER SPRING 10MM H.D ZP	1
24	CFA00025	SETSCREW M10X30	1
25	CFA00033	SETSCREW M12X35 ZP	4
26	CFA00256	NUT M10 ZP	1
27	CFA00312	SETSCREW M1 OX40 ZP	1
28	CFA00140	WASHER FLAT 16MM ZP	16
29	CFA00151	SETSCREW M16X40 ZP	8
30	CFA00128	NUT M16 NYLOC	8
31	CFA00613	GRUBSCREW M8X6	4
32	ART00073	BOBBIN BRACKET LEFT	1
33	ART00074	BOBBIN BRACKET RIGHT	1
34	ART00005	BOBBIN AXLE SHAFT	1
35	CPL00038	BOBBIN STANDARD	1
36	CBR00024	BEARING 62062RS	2
37	CFA00134	WASHER MUDWING M10X38MM OD	1
38	CFA00024	SETSCREW M10X25 ZP	1
39	CBC00008	CAP PLASTIC INSERT 75MM	1
40	CFA00137	WASHER SPRING 10MM H.D ZP	1
41	CFA00156	BOLT M10X55	2
42	CFA00123	NUT M10 NYLOC	10

No.	Part No	Description	Qty
-----	---------	-------------	-----

**Rear wrapping cradle 1 (86)**

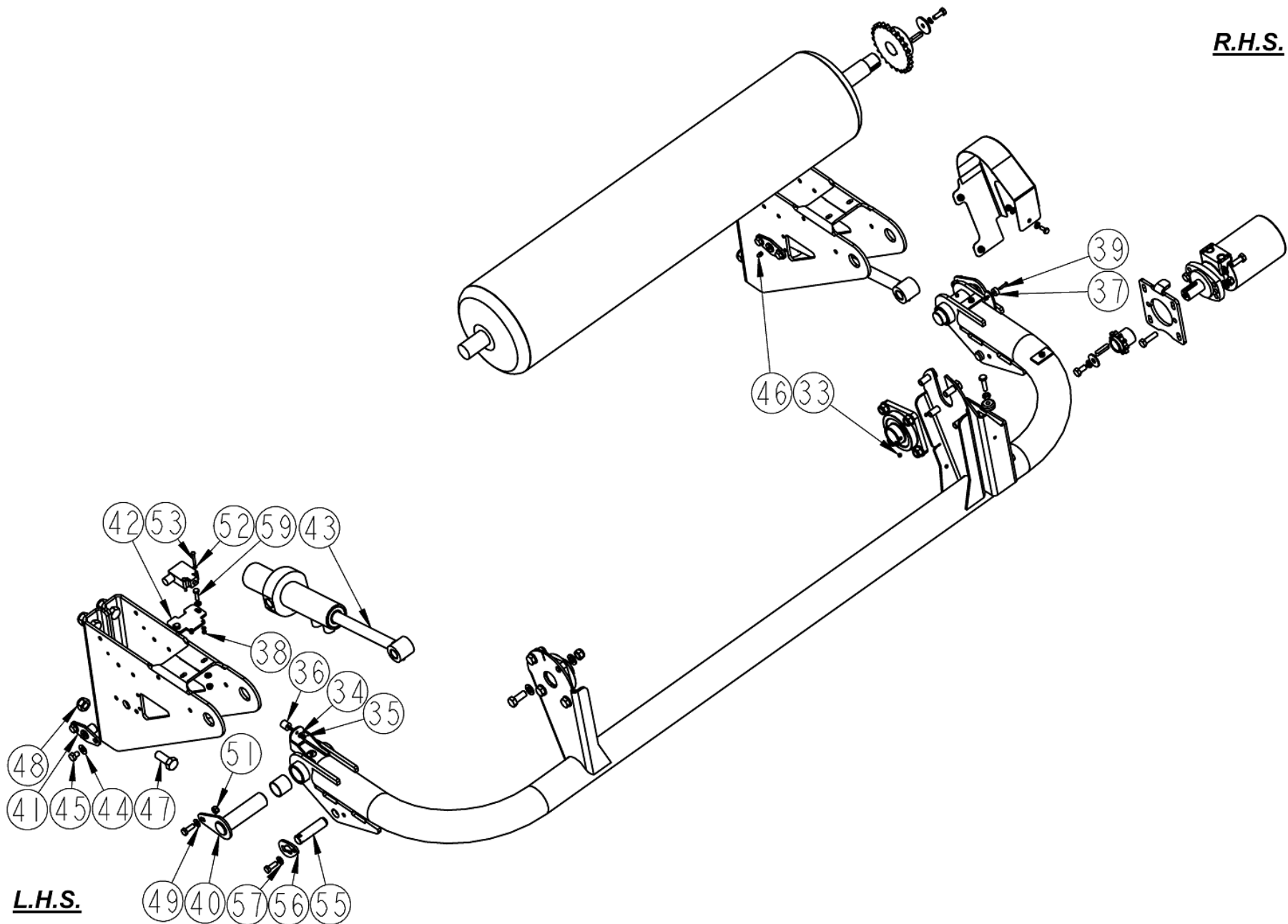


No.	Part No	Description	Qty
1	ACH00256	REAR ROLLER RAM BRACKET ASSY	2
2	ACH00416	WRAPPER REAR FRAME WELD ASSY	1
3	ART00016	TABLE DRIVE ROLLER COMBI 2000	1
4	CBR00046	BEARING FLANGE UNIT SF1 3/4"	2
5	CMT00064	MOTOR 625CC MACHINED PORT FACE	1
6	CMH00749	SPROCKET 3/4" PITCH 10 TOOTH	1
7	CZC02058	3MM L WASHER 38 X 12.5 X 3	1
8	CFA00207	WASHER SPRING 12MM HD ZP	1
9	CFA00031	SETSCREW M12X25 ZP	1
10	CZG02077	8MM L MOTOR PLATE PART	1
11	CFA00081	KEY 10X8X45	1
12	CFA00065	SETSCREW M12X45 ZP	2
13	CFA00138	WASHER FLAT 12MM ZP	2
14	CFA00124	NUT M12 NYLOC	2
15	CBR00082	BEARING GLACIER 4040 SY	4
16	CMH00396	SPROCKET 3/4" PITCH 24T 40 DIA	1
17	CGD00038	GUARD REAR ROLLER CRADLE	1
18	CFA00239	KEY 10X8X40	1
19	CZD00121	4MM L CUT & TIE SPACER ZP	1
20	CFA00137	WASHER SPRING 10MM H.D ZP	1
21	CFA00025	SETSCREW M10X30	1
22	CFA00256	NUT M10 ZP	1
23	CFA00312	SETSCREW M1 OX40 ZP	1
24	CFA00138	WASHER FLAT 12MM ZP	8
25	CFA00033	SETSCREW M12X35 ZP	4
26	CFA00124	NUT M12 NYLOC	4
27	CFA00140	WASHER FLAT 16MM ZP	16
28	CFA00151	SETSCREW M16X40 ZP	8
29	CFA00128	NUT M16 NYLOC	8
30	CFA00147	WASHER FLAT 8MM ZP	6
31	CFA00132	NUT M8 NYLOC ZP	3
32	CFA00052	SETSCREW M8X20 ZP	3

No.	Part No	Description	Qty
-----	---------	-------------	-----

**Rear wrapping cradle 2 (87)**

**R.H.S.**

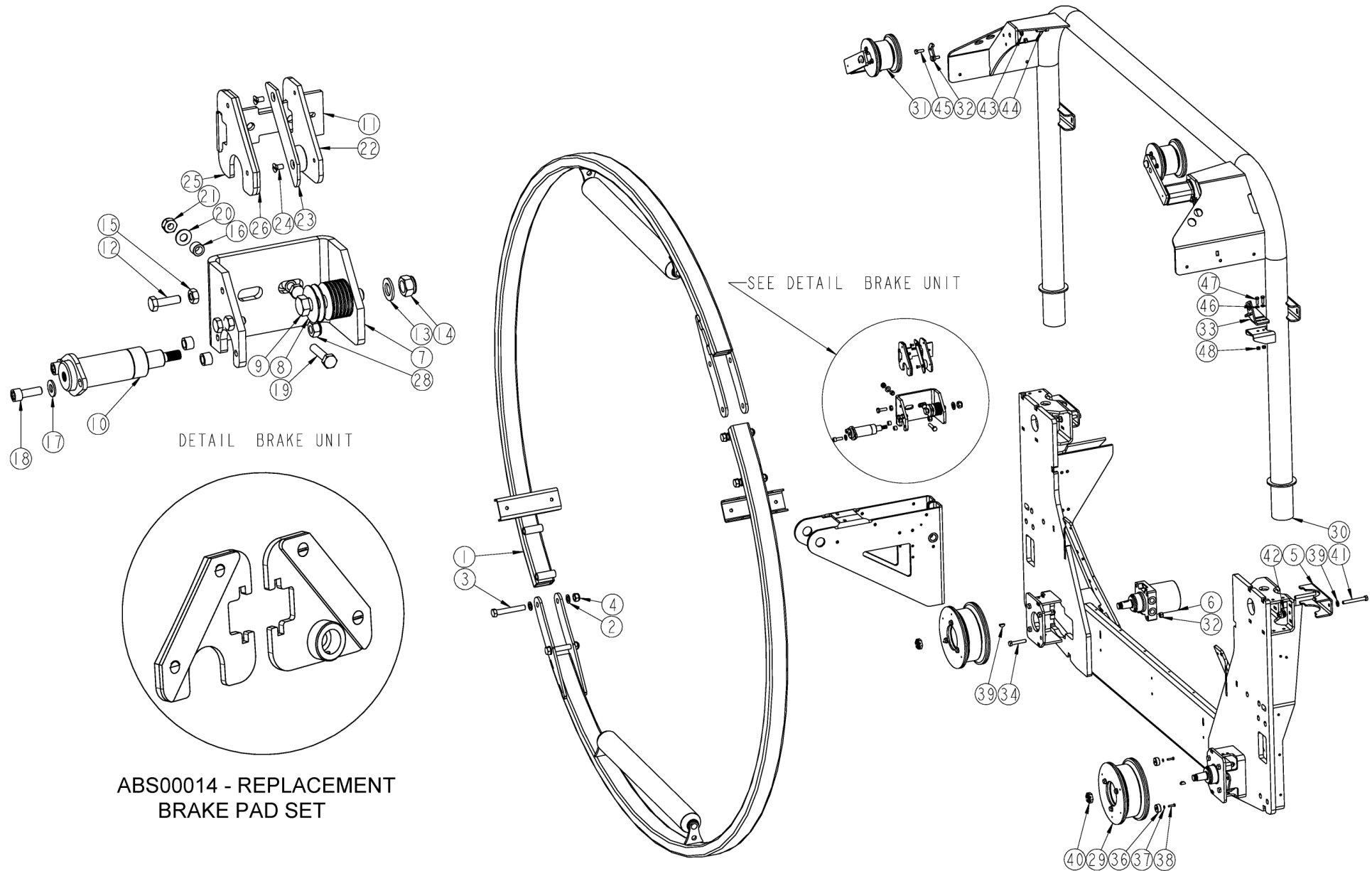


**L.H.S.**

No.	Part No	Description	Qty
33	CFA00613	GRUBSCREW M8X6	4
34	CFA00144	WASHER FLAT 6MM ZP	1
35	CFA00131	NUT M6 NYLOC	1
36	CBE00030	BUFFER RUBBER 20X20 M6/15 43SH	1
37	CEL00059	MAGNET 20 X 10 260369	1
38	CFA00321	NUT M5 NYLOC	1
39	CFA00261	SETSCREW M5X25 CSK HEX SS	1
40	ACH00396	40MM PIN ASSY WRAPPER CRADLE	2
41	ACH00422	PIN ASSY ROLLER CRADLE BALER	4
42	CZF02861	6MM L SWITCH BRACKET BALER	1
43	CRA00194	RAM ROLLER CRADLE BALER	2
44	CFA00250	WASHER SKM12	8
45	CFA00505	SETSCREW M12X16 ZP	8
46	CFA00118	GREASE NIPPLE M8X1.25 STRAIGHT	4
47	CFA00381	BOLT M20X50X10.9 ZP	8
48	CFA00129	NUT M20 NYLOC	8
49	CFA00251	WASHER SKM10	2
50	CFA00025	SETSCREW M10X30	4
51	CFA00123	NUT M10 NYLOC	4
52	CFA00337	WASHER FLAT 5MM ZP	4
53	CFA00314	SETSCREW M5X40 ZP	2
54	CFA00321	NUT M5 NYLOC	2
55	CMH00422	PIN 25X 100 MILLED FOR CAP ZP	2
56	CZF00293	6MM L CAP SHORT FOR 25MM PINS	2
57	CFA00201	WASHER FLAT 10 MM ZP	2
58	CFA00147	WASHER FLAT 8MM ZP	4
59	CFA00491	SETSCREW M8X30 ZP	2
60	CFA00132	NUT M8 NYLOC ZP	2

No.	Part No	Description	Qty
-----	---------	-------------	-----

# Dispenser ring (88)

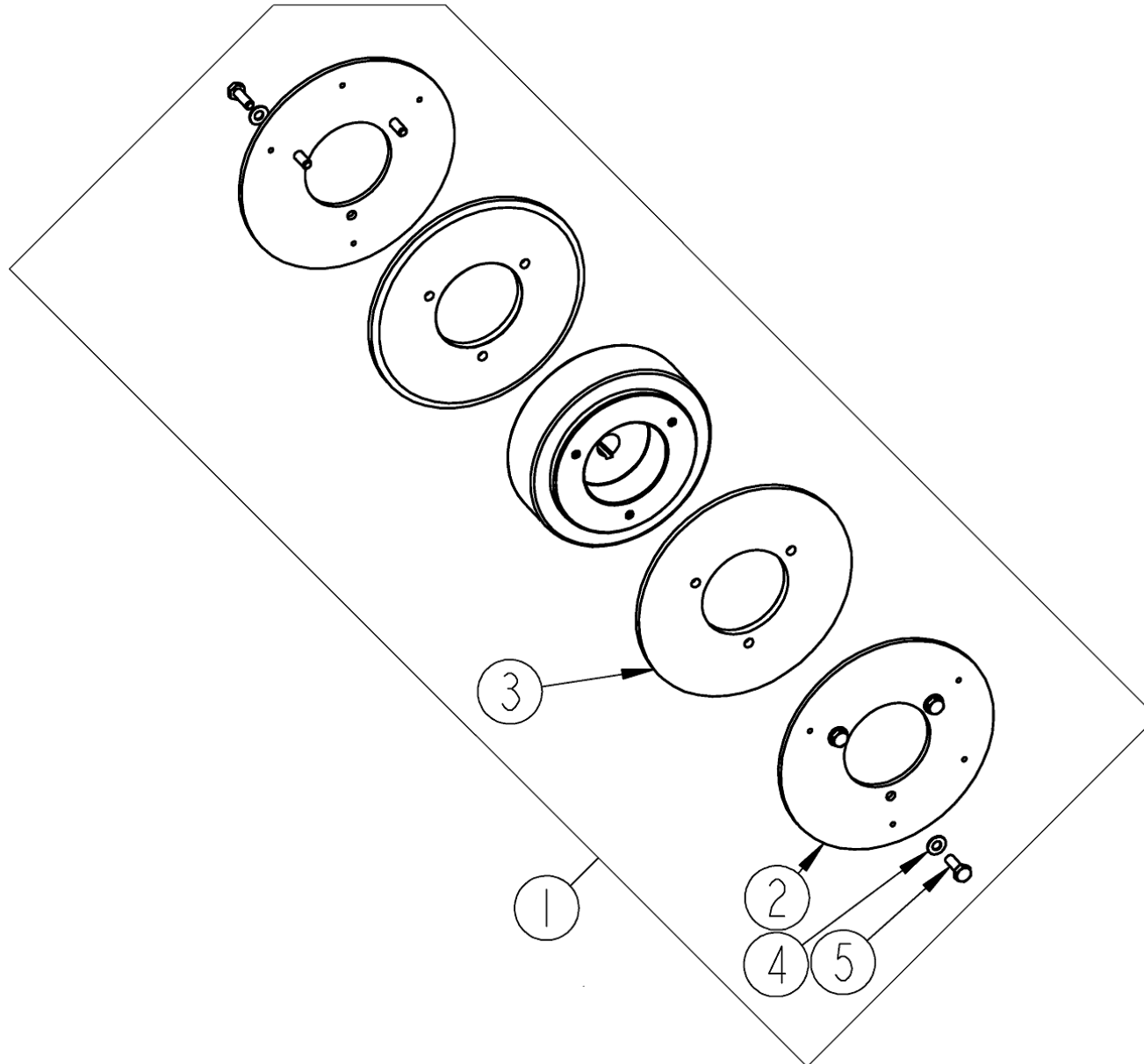




No.	Part No	Description	Qty
1	ADP00060	KIT DISPENSER RING	1
<i>COMPLETE RING ASSEMBLY</i>			
2	CFA00413	WASHER FLAT 20MM ZP	8
3	CFA00580	BOLT M20X130 ZP	4
4	CFA00129	NUT M20 NYLOC	4
5	CZF02619	6MM L BALER CHASSIS PART	2
6	CMT00056	MOTOR 80CC WHEEL TAPER SHAFT	2
7	CZH02466	10MM L BRAKE CALLIPER PART	1
8	CSG00032	SPRING BELVILLE 18X50	14
9	CFA00043	BOLT M16X80	1
10	CRA00172	RAM BRAKE CALLIPER	1
11	ACH00344	BRAKE PAD SLIDE ASSY	1
12	CFA00311	SETSCREW M10X35 ZP	2
13	CFA00140	WASHER FLAT 16MM ZP	2
14	CFA00128	NUTM16 NYLOC	1
15	CFA00256	NUT M10 ZIP	2
16	CMH00809	BUSH 10X16X11	4
17	CFA00201	WASHER FLAT 10 MM ZIP	2
18	CFA00602	SETSCREW M1 OX30 SOC CAP ZP	2
19	CFA00310	BOLT M10X50 ZP	2
20	CFA00251	WASHER SKM10	2
21	CFA00123	NUTM10 NYLOC	2
22	CZF02709	6MM L BRAKE PAD PART	1
23	CBE00039	BEL T BRAKE PAD FUSION	1
24	CFA00601	BOLT M6X12 CSK BRASS SLOTTED	2
25	CZF02710	6MM L BRAKE PAD PART	1
26	CBE00040	BELT BRAKE PAD FUSION	1
27	CFA00601	BOL T M6X12 CSK BRASS SLOTTED	2
28	CFA00124	NUT M12 NYLOC	1
29	CWH00038	WHEEL 220 DIA DISP DRIVE BALER	2
30	ACH00358	DISP RING SUPPORT ARM	1
31	ACH00364	SUSPENSION UNIT DISPENSER RING	2
32	CZF02736	6MM L BALER CHASSIS PART	2
33	CEL00194	SENSOR BRACKET ASSY BALER	1
34	CFA00579	BOLT M12X65 ZP	8
35	CFA00124	NUT M12 NYLOC	12
36	CEL00017	MAGNET BLUE WHEEL	2
37	CFA00144	WASHER FLAT6MM ZP	2
38	CFA00098	SETSCREW M6X25 ZP	2
39	CFA00611	KEY RING MOTOR FUSION	2
40	CFA00612	NUT CASTLE 24X38	2
41	CFA00035	BOLT M12X100 ZP	4
42	CFA00138	WASHER FLAT 12MM ZP	8
43	CFA00142	WASHER SPRING 16MM ZP	2
44	CFA00151	SETSCREW M16X40 ZP	2
45	CFA00025	SETSCREW M10X30	4
46	CFA00147	WASHER FLAT 8MM ZP	2
47	CFA00102	SETSCREW M8X25 ZP	2
48	CFA00132	NUT M8 NYLOC ZP	2

No.	Part No	Description	Qty
	ABS0 ABS00014	REPLACEMENT BRAKE PAD SET	1
<i>REPLACEMENT BRAKE PAD SET (INCLUDES ITEMS 22 &amp; 25)</i>			

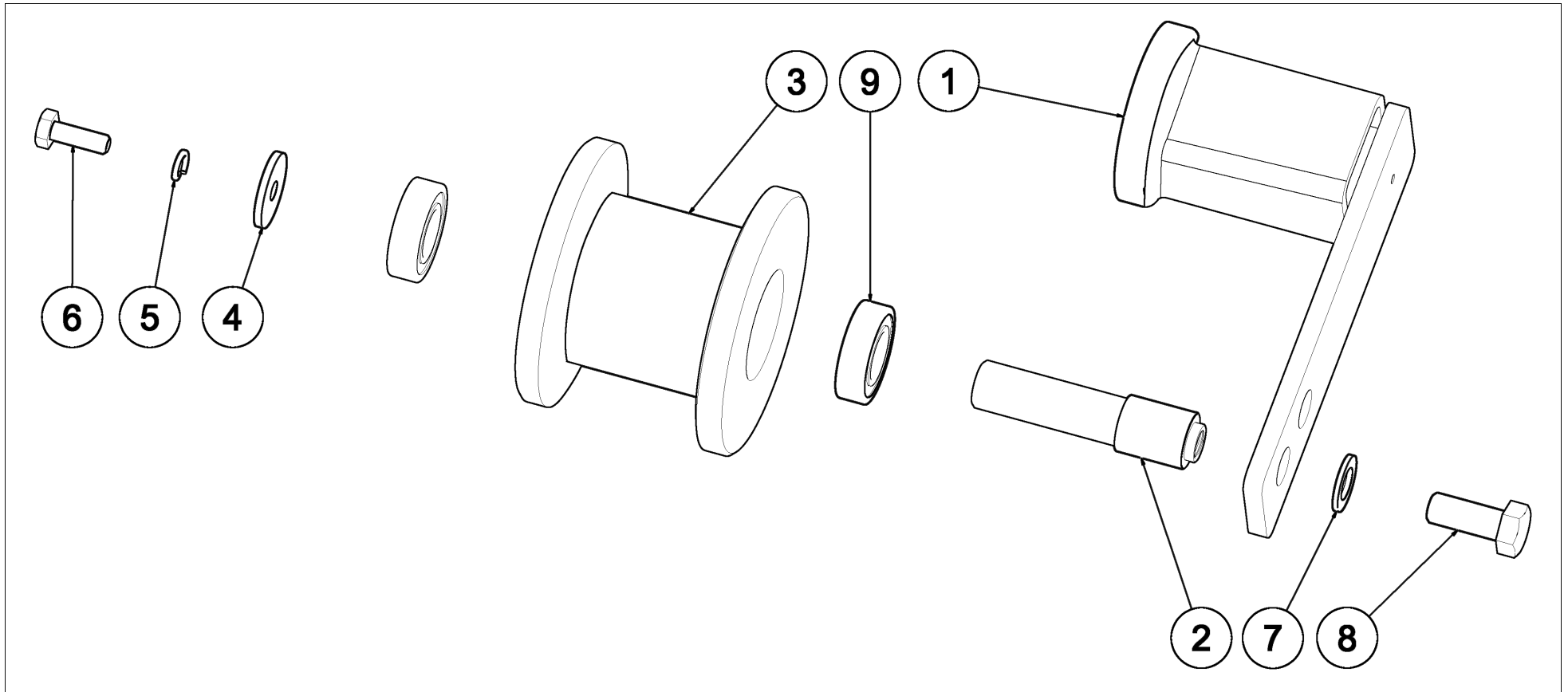
**Dispenser ring drive wheel (527)**



No.	Part No	Description	Qty
1	CWH00038	DISPENSER DRIVE WHEEL COMPLETE	2
2	CZF02725	6MM L WHEEL SIDE PLATE 250 DIA	2
3	CPL00049	PLASTIC WHEEL WEAR PLATE	2
4	CFA00251	WASHER SKM M10	6
5	CFA00025	SETSCREW M10X30	6

No.	Part No	Description	Qty
-----	---------	-------------	-----

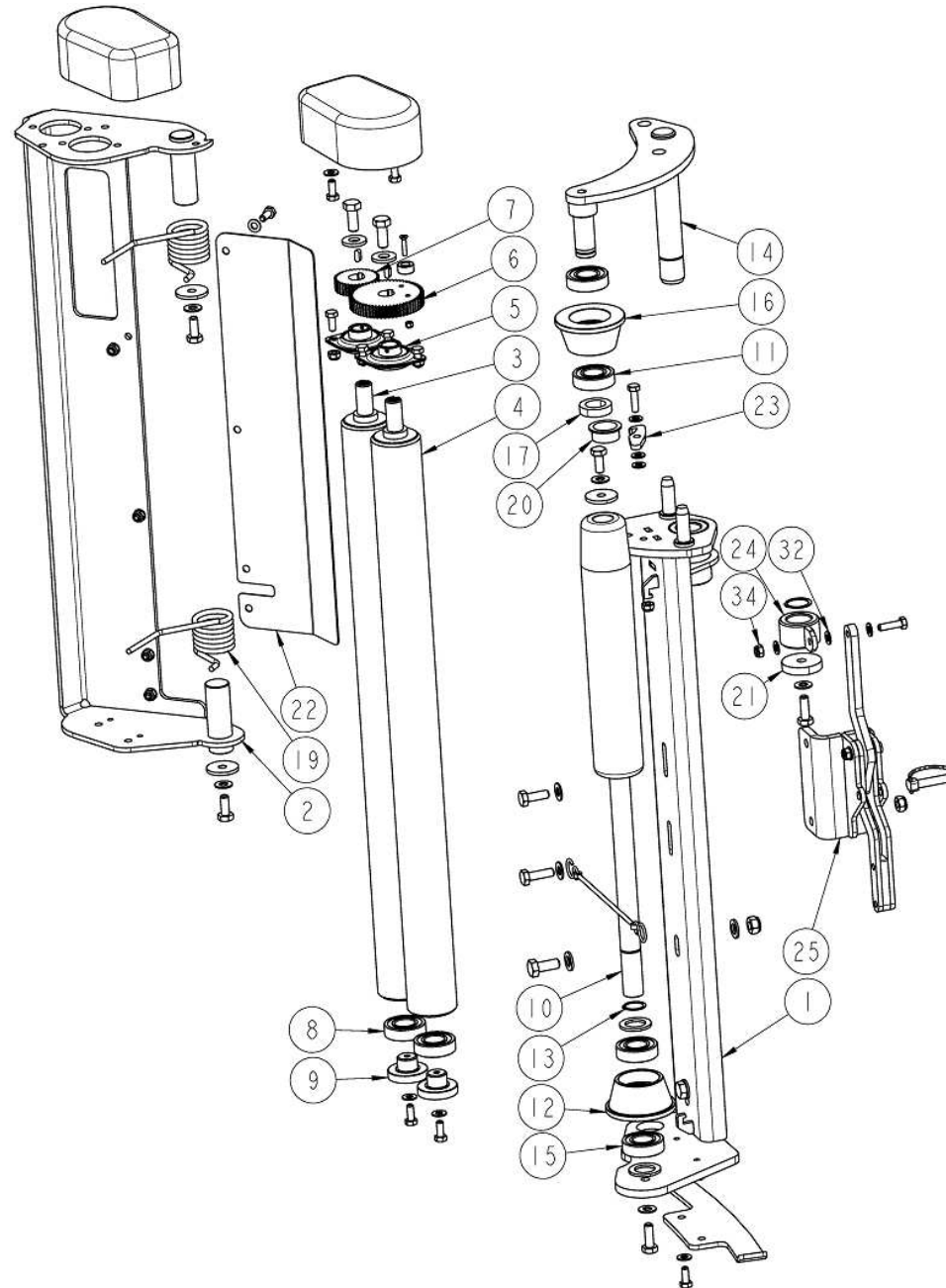
**Dispenser ring suspension unit (528)**



No.	Part No	Description	Qty
1	ACH00363	SUSPENSION UNIT ASSY	1
2	CMH00694	PIN 30X 115 STEPPED 25	1
3	CWH00253	PLASTIC WHEEL INCLUDING TWO BEARINGS	1
4	CZD00118	4MM L CUT& TIE SPACER	1
5	CFA00137	WASHER SPRING 10MM H.D ZP	1
6	CFA00025	SETSCREW M10X30	1
7	CFA00140	WASHER FLAT 16MM ZP	1
8	CFA00151	SETSCREW M16X40 ZP	1
9	CBR00009	BEARING 6205 2RS	2

No.	Part No	Description	Qty
-----	---------	-------------	-----

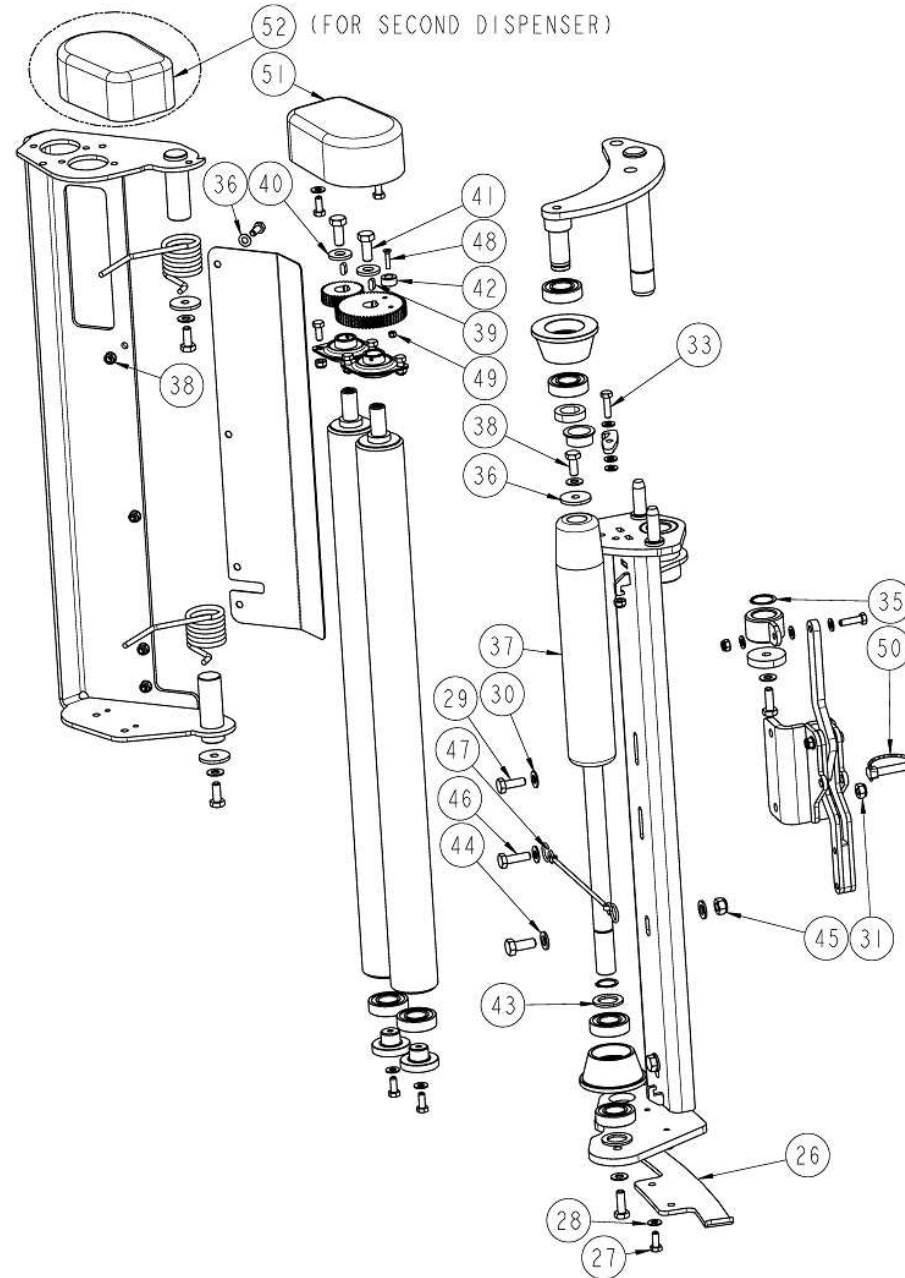
**Dispenser 1 (91)**



No.	Part No	Description	Qty
1	ADP00080	DISP WELD ASSY	1
2	ADP00082	DISP ROLLER FRAME WELD ASSY BIW	1
3	CMH00580	ROLLER SECONDARY ALU BALERIWR	1
4	CMH02320	ROLLER DISPENSER PRIMARY SPIROL FUSION/W20	1
<i>REPLACES CMH00579</i>			
5	CBR00004	BEARING 20MM 2BOL T PIS FLANGE	2
6+7	ADP00018	KIT GEARS DISPENSER 70%	1
<i>70% STANDARD</i>			
6+7	ADP00019	KIT GEARS DISPENSER 55%	1
<i>55%</i>			
8	CBR00009	BEARING 6205 2RS	2
9	CMH00583	PIN 50X40 STEPPED 20	2
10	CMH00573	PIN 25X405 AXLE	1
11	CBR00009	BEARING 6205 2RS	2
12	CMH00785	COIL ROLLER (2 BEARING TYPE)	1
13	CFA00001	CIRCLIP 25MM EXTERNAL ZIP	1
14	ADP00084	DISP ROLL RETAINER WELD ASSY BIW	1
15	CBR00009	BEARING 6205 2RS	2
16	CMH00785	COIL ROLLER (2 BEARING TYPE)	1
17	CZH02616	10MM L WASHER 25/40	1
18	CFA00001	CIRCLIP 25MM EXTERNAL ZIP	1
19	CSG00041	SPRING TOR 6.35WDX480DX7.8COIL	2
20	CBR00068	BEARING 30X34X16 STEPPED PLAS	2
21	CZH02093	10MM L WASHER 10X50 ZIP	1
22	CZB02152	1.5MM L DISPENSER GRASS GUARD	1
23	CZF02832	6MM L DISPENSER PART BALER	1
24	ADP00100	DISP SLIDE BUSH ASSY	1
25	ADP00103	DISP LEVER LOCK COMP ASSY	1
26	CZF02846	6MM L SENSOR PLATE BALER	1
27	CFA00052	SETSCREW M8X20 ZIP	14
28	CFA00249	WASHER SKM8	6
29	CFA00025	SETSCREW M10X30	3

No.	Part No	Description	Qty
-----	---------	-------------	-----

**Dispenser 2 (92)**

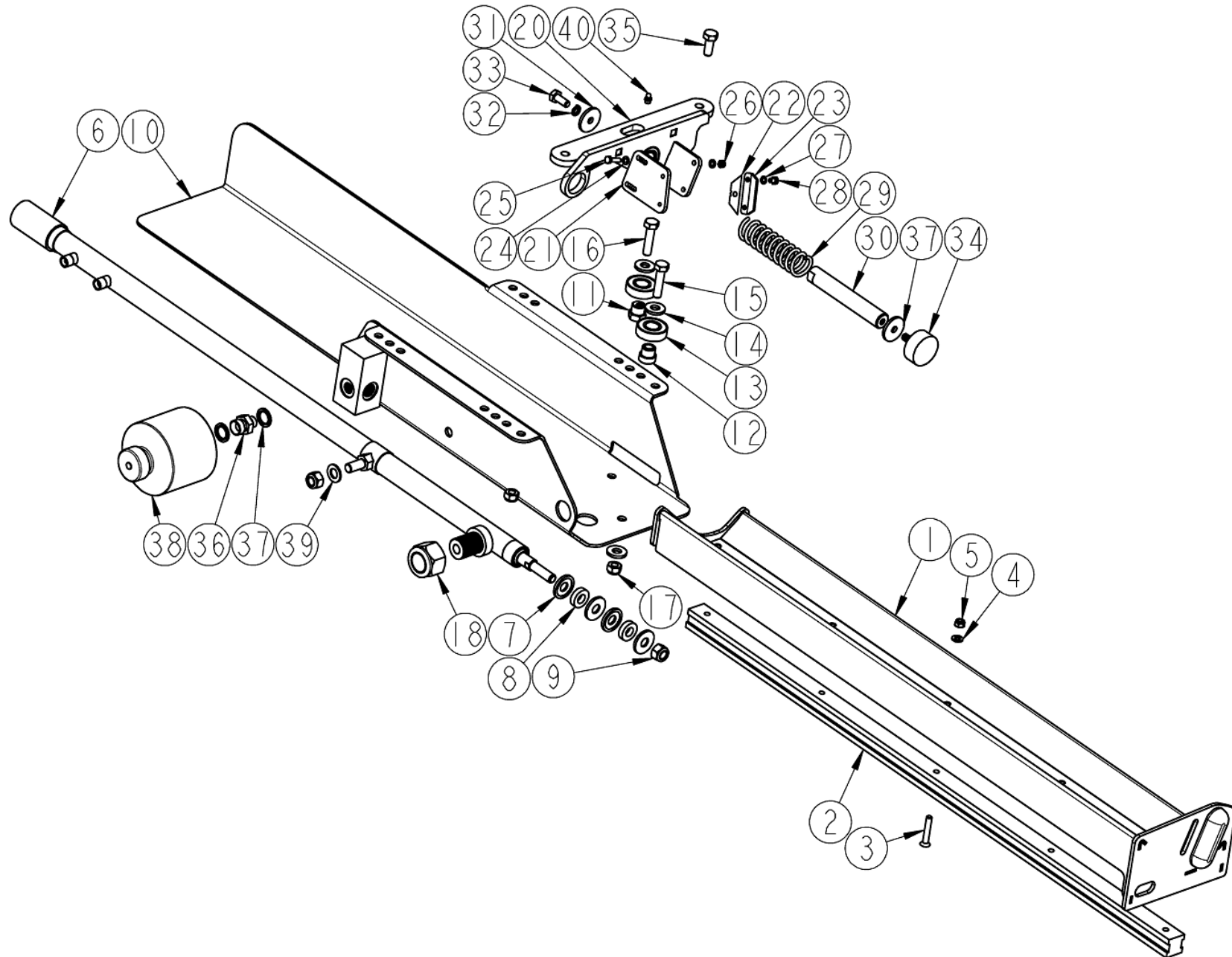




No.	Part No	Description	Qty
30	CFA00251	WASHER SKM M10	7
31	CFA00123	NUT M10 NYLOC	2
32	CFA00147	WASHER FLAT 8MM ZP	10
33	CFA00316	BOLT M8X30 ZP	2
34	CFA00132	NUT M8 NYLOC ZP	10
35	CFA00402	CIRCLIP 30MM EXTERNAL	1
36	CZD00118	4MM L CUT& TIE SPACER	3
37	CPL00059	BOBBIN DISPENSER ROLL GUIDE	1
38	CFA00024	SETSCREW M10X25 ZP	3
39	CFA00153	KEY 6X6X15	2
40	CFA00139	WASHER FLAT 12MM H/D ZP	2
41	CFA00032	SETSCREW M12X30 ZP	4
42	CEL00059	MAGNET 20 X 10 260369	1
43	CZC00112	3MM L DISPENSER SPACER	2
44	CFA00138	WASHER FLAT 12MM ZP	4
45	CFA00124	NUT M12 NYLOC	2
46	CFA00311	SETSCREW M1 OX35 ZP	1
47	CFA00710	WIRE ROPE 3MM PLASTIC COATED	1
48	CFA00608	SETSCREW M5X25 CSK HEAD SS	1
49	CFA00348	NUT M5 NYLOC SS	1
50	CFA00194	LINCH PIN PIPE 10MMX50MM	1
51	CEL00221	TRANSMITTER EVEN/GEAR COVER	1
52	CEL00222	TRANSMITTER ODD/GEAR COVER	1

No.	Part No	Description	Qty
-----	---------	-------------	-----

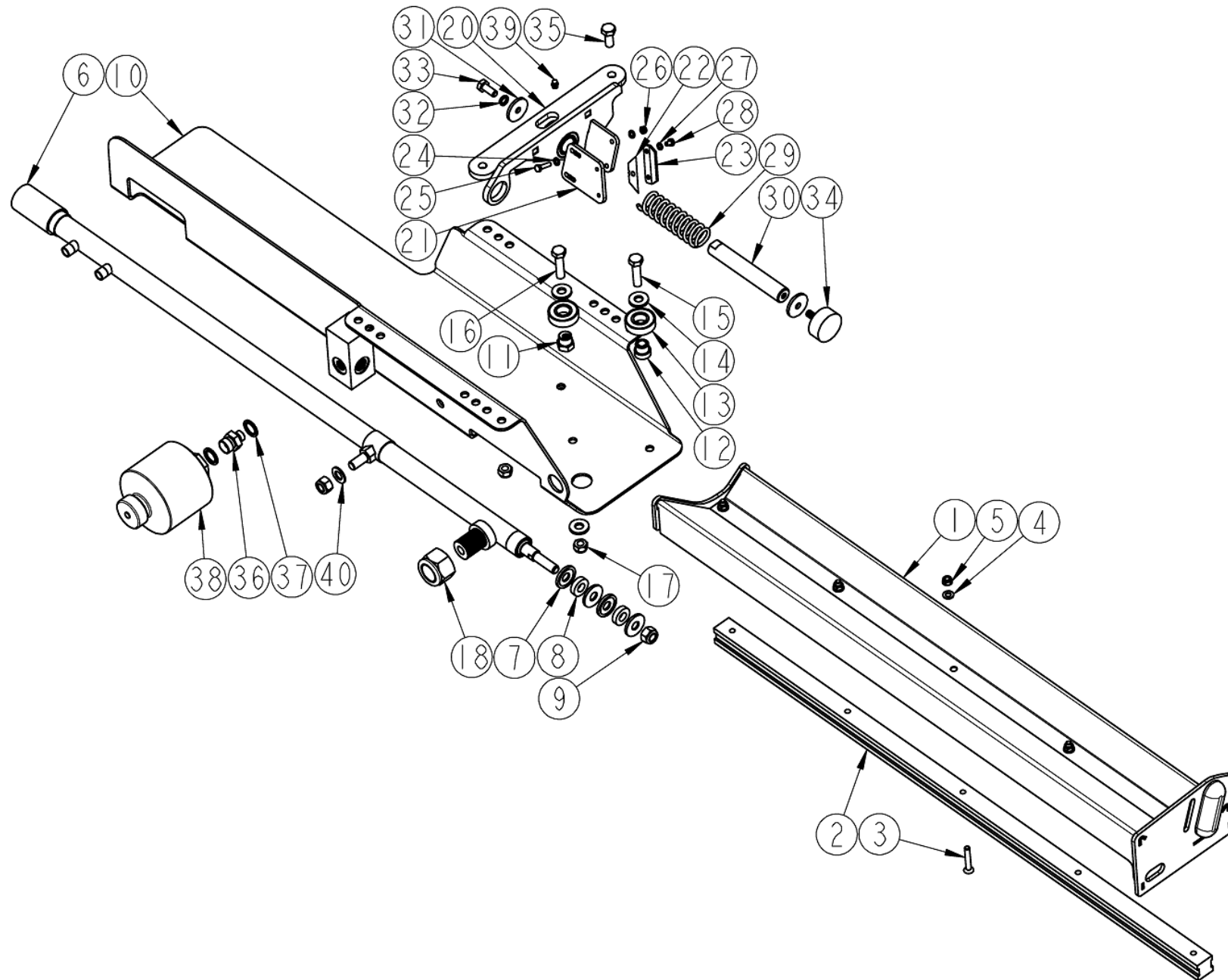
**Cut & Hold LH (93)**



No.	Part No	Description	Qty
1	ACT00002	CUT&HOLD SLIDER BARE (ALUM)	1
2	CMH00260	CUT&HOLD RAIL	1
3	CFA00089	SETSCREW M8X45 CSK HEX ZP	5
4	CFA00147	WASHER FLAT 8MM ZP	5
5	CFA00132	NUT M8 NYLOC ZP	5
6	CRA00074	RAM 25X18 CUT&HOLD 998	1
7	CMH00330	WASHER DISHED 998 C&H RAM	4
8	CMH00331	WASHER RUBBER 998 C&H	2
9	CFA00126	NUT M14 NYLOC	1
10	ACT00041	CUT & HOLD FRAME WELD ASY LEFT	1
11	CMH00262	BEARING HOLDER ECCENTRIC	1
12	CMH00261	BEARING HOLDER CONCENTRIC ZP	2
13	CBR00020	BEARING 6204 2RS	3
14	CFA00139	WASHER FLAT 12MM H/D ZP	6
15	CFA00272	BOLT M12X50 ZP	2
16	CFA00270	SETSCREW M12X50 ZP	1
17	CFA00124	NUT M12 NYLOC	5
18	CFA00012	NUT 1"1/4 NYLOOC UNF	1
19	CFA00126	NUT M14 NYLOC	1
20	ACT00003	CUT&HOLD 998, PLUNGER BRACKET	1
21	CZF02121	6MM L KNIFE PLATE	1
22	CKN00011	KNIFE STANLEY BLADE CUT&HOLD	2
23	CZC02012	3MM L 998/COMBI KNIFE CLAMP	1
24	CFA00144	WASHER FLAT 6MM ZP	4
25	CFA00098	SETSCREW M6X25 ZP	2
26	CFA00131	NUT M6 NYLOC	2
27	CFA00268	WASHER 6MM SHAKEPROOF	2
28	CFA00269	SETSCREW M6X10 ZP	2
29	CSG00036	SPRING COM 4.88X38X150X12	1
30	CMH00023	PIN 25X159 C.PLUNGER C&T	1
31	CZD00118	4MM L CUT& TIE SPACER	2
32	CFA00137	WASHER SPRING 10MM H.D ZP	1
33	CFA00024	SETSCREW M1 0X25 ZP	1
34	CBE00002	BUFFER RUBBER 50X21 M10X28	1
35	CFA00032	SETSCREW M12X30 ZP	2
36	CHY02008	ADAPTOR 1/2" M 3/8" M	1
37	CHY00053	WASHER DOWTY 112"	2
38	CVA03011	ACCUMULATOR 0.7 LITRE 70 BAR	1
39	CFA00222	WASHER FLAT 14MM ZP	1
40	CFA00118	GREASE NIPPLE M8X1.25 STRAIGHT	1

No.	Part No	Description	Qty
-----	---------	-------------	-----

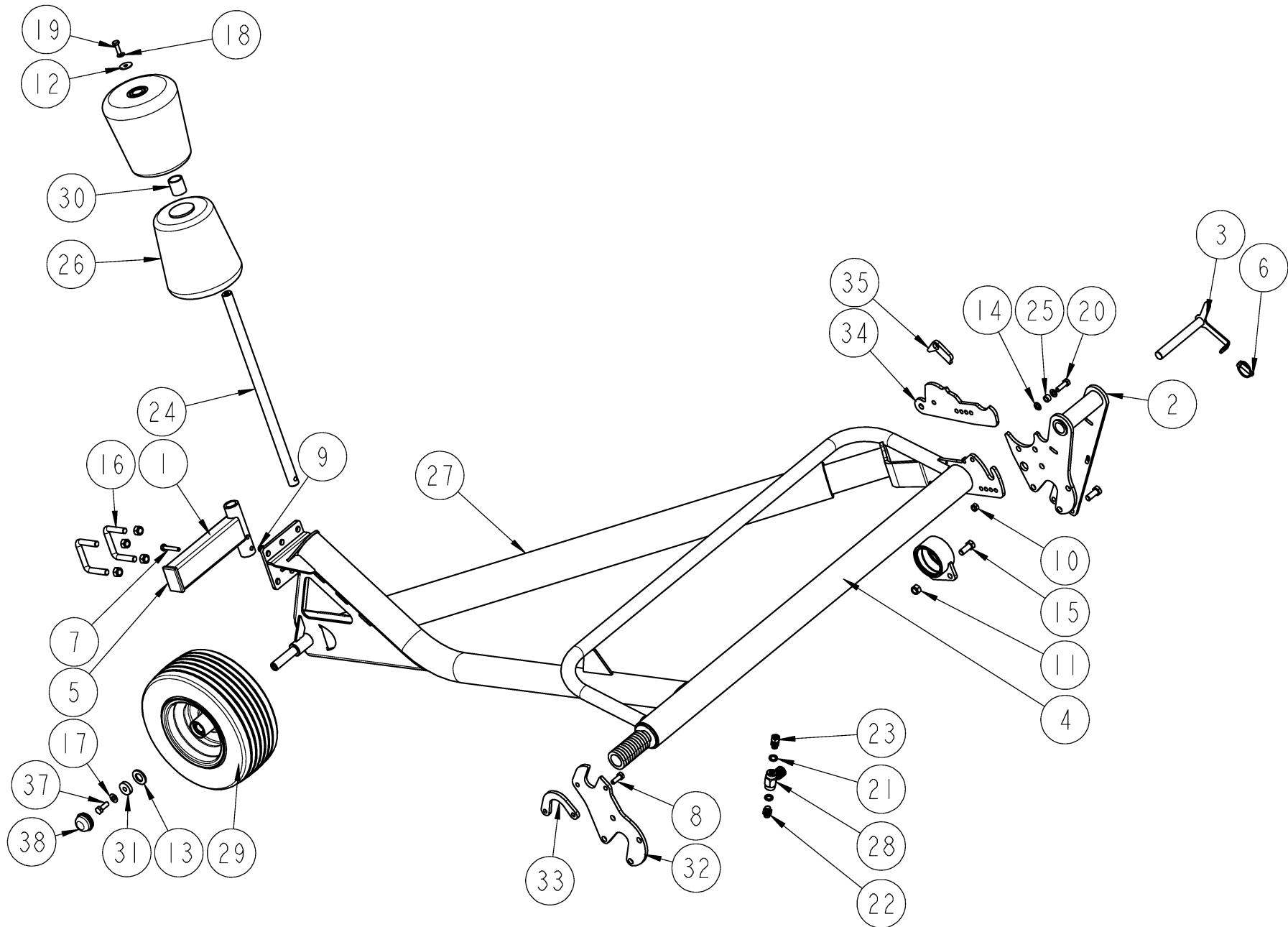
**Cut & Hold RH (94)**



No.	Part No	Description	Qty
1	ACT00002	CUT&HOLD SLIDER BARE (ALUM)	1
2	CMH00260	CUT&HOLD RAIL	1
3	CFA00089	SETSCREW M8X45 CSK HEX ZP	5
4	CFA00147	WASHER FLAT 8MM ZP	5
5	CFA00132	NUT M8 NYLOC ZP	5
6	CRA00074	RAM 25X18 CUT&HOLD 998	5
7	CMH00330	WASHER DISHED 998 C&H RAM	4
8	CMH00331	WASHER RUBBER 998 C&H	2
9	CFA00126	NUT M14 NYLOC	1
10	ACT00042	CUT & HOLD FRAME WELD ASY RIGHT	1
11	CMH00262	BEARING HOLDER ECCENTRIC	1
12	CMH00261	BEARING HOLDER CONCENTRIC ZP	2
13	CBR00020	BEARING 6204 2RS	3
14	CFA00139	WASHER FLAT 12MM H/D ZP	6
15	CFA00272	BOLT M12X50 ZP	2
16	CFA00270	SETSCREW M12X50 ZP	1
17	CFA00124	NUT M12 NYLOC	6
18	CFA00012	NUT 1"1/4 NYLOOC UNF	1
19	CFA00126	NUT M14 NYLOC	1
20	ACT00003	CUT&HOLD 998, PLUNGER BRACKET	1
21	CZF02121	6MM L KNIFE PLATE	1
22	CKN00011	KNIFE STANLEY BLADE CUT&HOLD	2
23	CZC02012	3MM L 998/COMBI KNIFE CLAMP	1
24	CFA00144	WASHER FLAT 6MM ZP	4
25	CFA00098	SETSCREW M6X25 ZP	2
26	CFA00131	NUT M6 NYLOC	2
27	CFA00268	WASHER 6MM SHAKEPROOF	2
28	CFA00269	SETSCREW M6X10 ZP	2
29	CSG00036	SPRING COM 4.88X38X150X12	1
30	CMH00023	PIN 25X159 C.PLUNGER C&T	1
31	CZD00118	4MM L CUT& TIE SPACER	2
32	CFA00137	WASHER SPRING 10MM H.D ZP	1
33	CFA00024	SETSCREW M10X25 ZP	1
34	CBE00002	BUFFER RUBBER 50X21 M10X28	1
35	CFA00032	SETSCREW M12X30 ZP	2
36	CHY02008	ADAPTOR 112" M 3/8" M	1
37	CHY00053	WASHER DOWTY 112"	2
38	CVA03011	ACCUMULATOR 0.7 LITRE 70 BAR	1
39	CFA00118	GREASE NIPPLE M8X1.25 STRAIGHT	1
40	CFA00222	WASHER FLAT 14MM ZP	1

No.	Part No	Description	Qty
-----	---------	-------------	-----

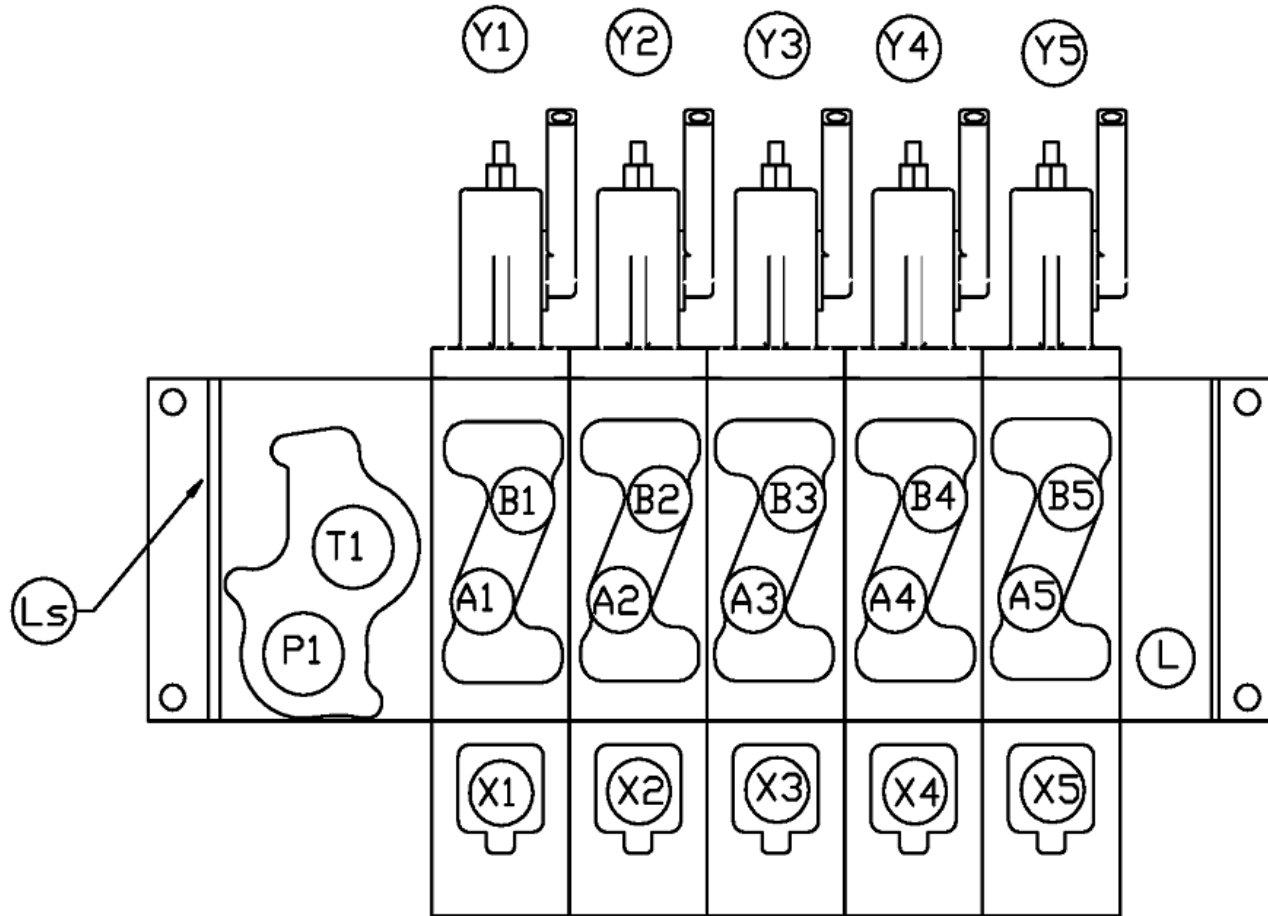
**Side tip (126)**



No.	Part No	Description	Qty
1	ABD00030	BOBBIN AXLE BUSH	1
2	ABD00038	LEFT MOUNTING BRACKET	1
3	ABD00040	LOCKING PIN SIDETIP	1
4	ABD00041	SIDE TIP BALER WELD ASSY	1
5	CBC00021	CAP SQ PLASTIC INSERT 80 X 50	1
6	CFA00005	LINCHPIN 10MM	1
7	CFA00026	BOLT M10X60	1
8	CFA00033	SETSCREW M12X35 Z/P	4
9	CFA00123	NUT M10 NYLOC	1
10	CFA00124	NUT M12 NYLOC	4
11	CFA00128	NUT M16 NYLOC	9
12	CFA00134	WASHER MUDWING M10X38MM OD	1
13	CFA00720	WASHER FLAT M26 Z/P DIN126	1
14	CFA00138	WASHER FLAT 12MM Z/P	2
15	CFA00151	SETSCREW M16X40 Z/P	5
16	CFA00200	U BOLT M16X80X50 Z/P	2
17	CFA00250	WASHER SKM12	1
18	CFA00251	WASHER SKM10	1
19	CFA00311	SETSCREW M10X35 Z/P	1
20	CFA00324	SETSCREW M12X40 Z/P	1
21	CHY00020	WASHER DOWTY 3/8"	2
22	CHY02002	ADAPTOR 3/8" BSP M/M	1
23	CHY02098	ADAPTOR 3/8" BSP M-F	1
24	CMH00874	SHAFT 30 X 660	1
25	CMH00968	BUSH 19X12.5X11	1
26	CPL00008	BOBBIN ASSEMBLY	2
27	CPL00082	PLAS TUBE SIDETIP	1
28	CVA00276	VALVE NEEDLE 3/8	1
29	CWH00037	WHEEL 170/60 -8 ( V 64 )	1
30	CXT00424	C042.4X4X45	1
31	CFA00718	WASHER MUDWING A13 Z/P	1
32	CZH02574	10MM BALER SIDE TIP BRACKET	1
33	CZH02668	10MM L FUSION SIDE TIP	1
34	CZH03157	10MM L FUSION SIDETIP	1
35	CZH03164	10MM L FUSION SIDETIP	1
37	CFA00031	SETSCREW M12X25 Z/P	1
38	CTP00070	DUST CAP 170/60-8 VREDESTEIN	1

No.	Part No	Description	Qty
-----	---------	-------------	-----

**Hydraulic valve fittings 1 (98)**

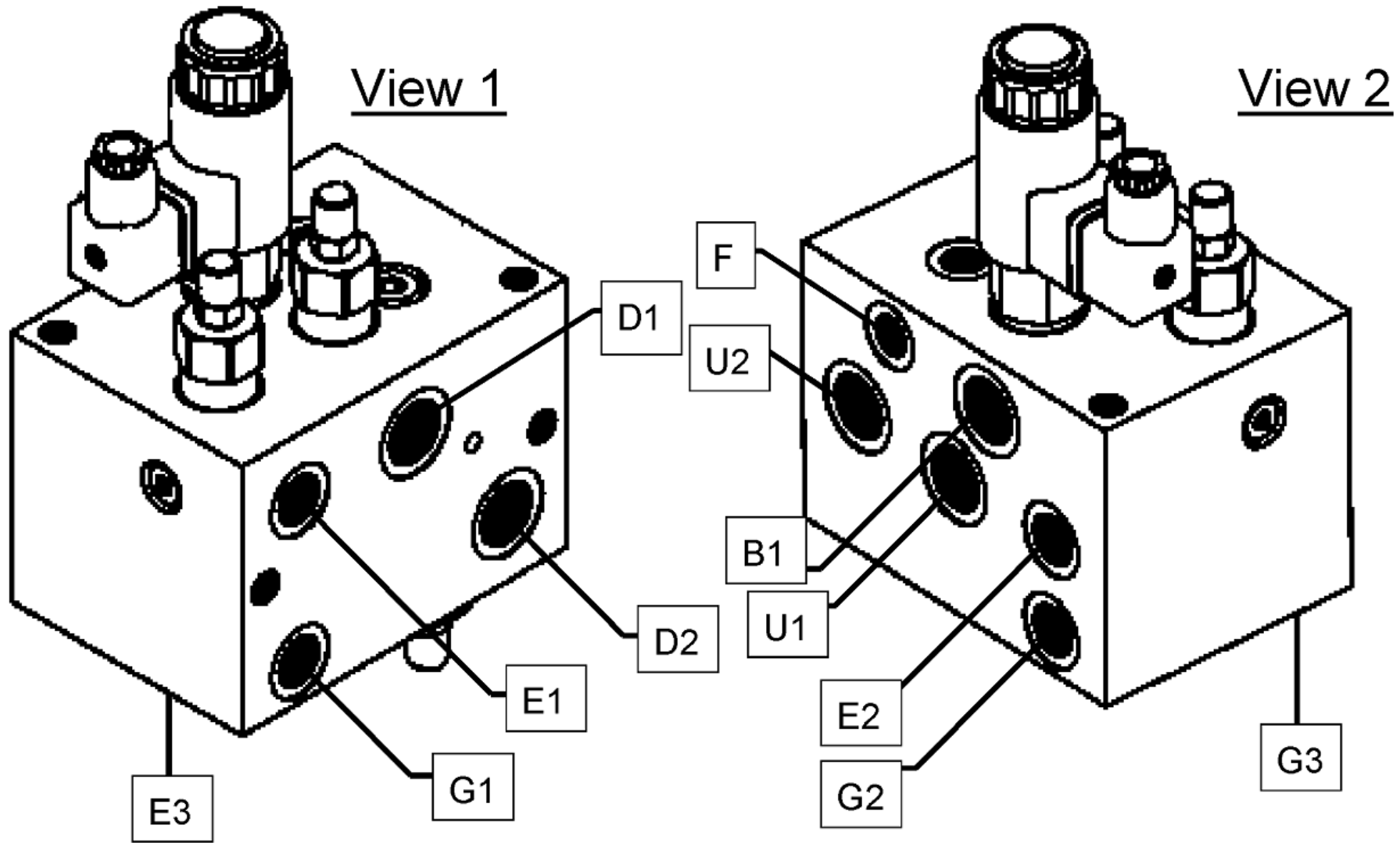


**CVA00115**



No. Part No	Description	Qty
A1 <i>CHY00053</i>	CHY02008 1/2"-3/8" M/M ADAPTOR	0
A2 <i>CHY00053</i>	CHY02008 1/2"-3/8" M/M ADAPTOR	0
A3 <i>CHY00053</i>	CHY02013 1/2"-1/2" M/M ADAPTOR	0
A4 <i>CHY00053</i>	CHY02008 1/2"-3/8" M/M ADAPTOR	0
A5 <i>CHY00053</i>	CHY02008 1/2"-3/8" M/M ADAPTOR	0
B1 <i>CHY00053</i>	CHY02008 1/2"-3/8" M/M ADAPTOR	0
B2 <i>CHY00053</i>	CHY02008 1/2"-3/8" M/M ADAPTOR	0
B3 <i>CHY00053</i>	CHY02013 1/2"-1/2" M/M ADAPTOR	0
B4 <i>CHY00053</i>	CHY02008 1/2"-3/8" M/M ADAPTOR	0
B5 <i>CHY00053</i>	CHY02008 1/2"-3/8" M/M ADAPTOR	0
T1 <i>CHY02012</i>	CHY02263 3/4"-3/8" M/M ADAPTOR	0
P1 <i>CHY02012</i>	CHY02263 3/4"-3/8" M/M ADAPTOR	0

No. Part No	Description	Qty
-------------	-------------	-----

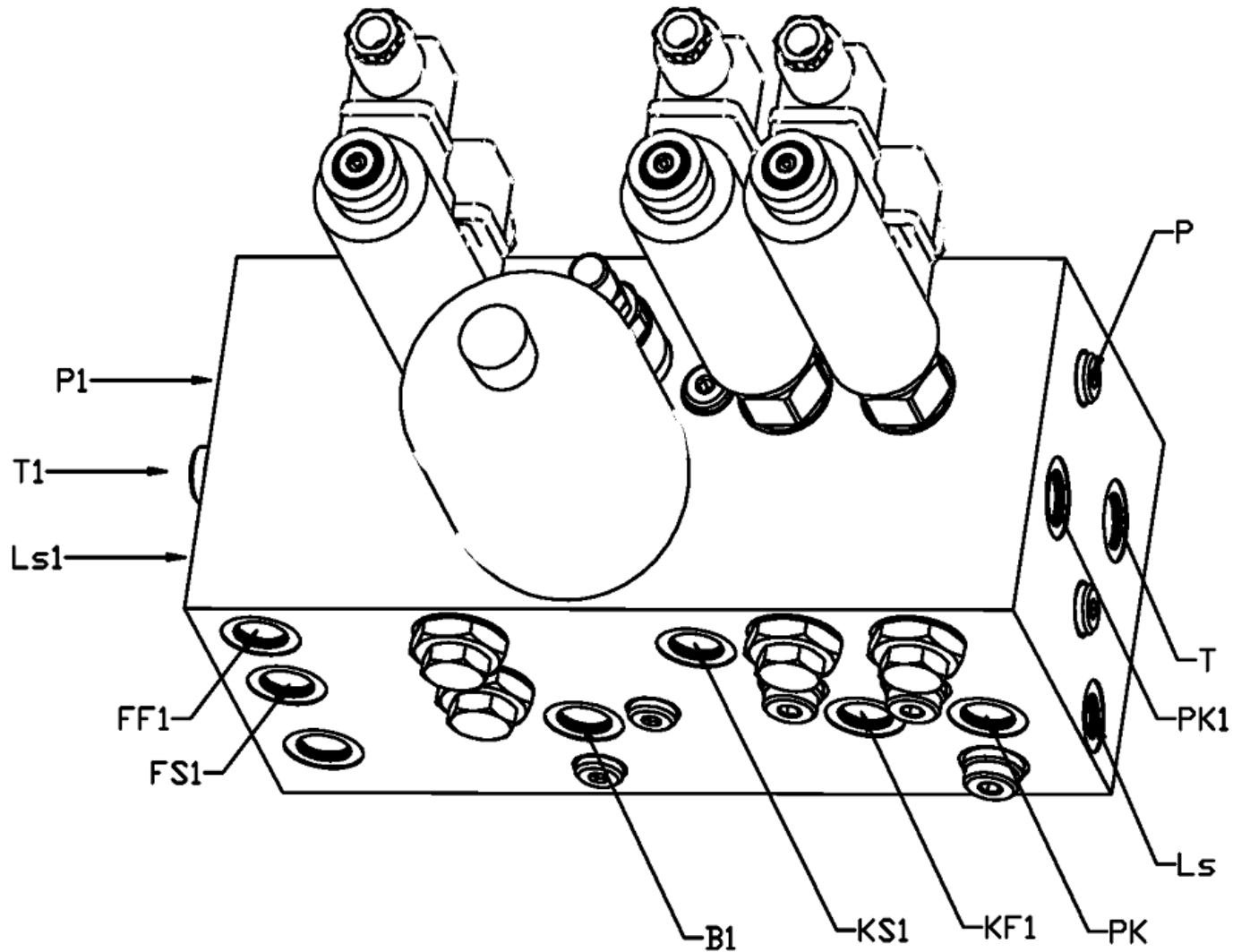


**CVA00157**

No.	Part No	Description	Qty
	U2 CHY02013	1/2"-1/2" M/M ADAPTOR	0
	<i>CHY00053</i>		
	G2 CHY02002	3/8"-3/8" M/M ADAPTOR	0
	<i>CHY00020</i>		
	E2 CHY02002	3/8"-3/8" M/M ADAPTOR	0
	<i>CHY00020</i>		
	B1 CHY02008	1/2"-3/8" M/M ADAPTOR	0
	<i>CHY00053</i>		
	U1 CHY02013	1/2"-1/2" M/M ADAPTOR	0
	<i>CHY00053</i>		
	F CHY02010	2 x 1/4"-1/4" ADAPTOR	0
	<i>CHY00015</i>		
	0 CVA00160	1/4" CHECK VALVE	0
	<i>CHY00015</i>		
	D1 CHY02013	1/2"-1/2" M/M ADAPTOR	0
	<i>CHY00053</i>		
	D2 CHY02013	1/2"-1/2" M/M ADAPTOR	0
	<i>CHY00053</i>		

No.	Part No	Description	Qty
-----	---------	-------------	-----

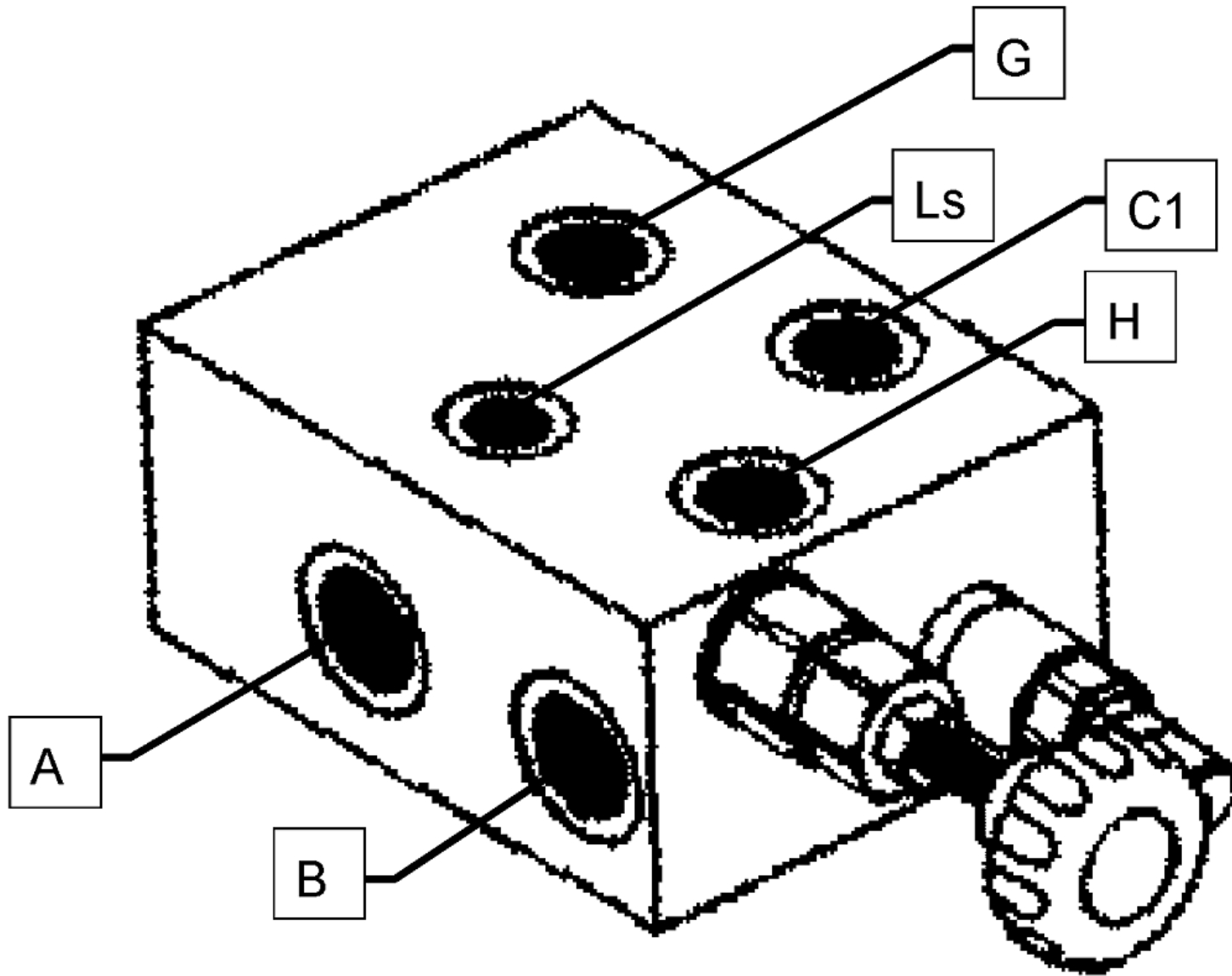
**Hydraulic valve fittings 3 (100)**



**CVA00113**

No. Part No	Description	Qty
Acc CHY02013 CHY00053	1/2"-1/2" M/M ADAPTOR	0
P1 CHY02002 CHY00020	3/8"-3/8" M/M ADAPTOR	0
T1 CHY02002 CHY00020	3/8"-3/8" M/M ADAPTOR	0
FS1 CHY02032 CHY00020	1/4"-3/8" M/M ADAPTOR	0
FF1 CHY02032 CHY00020	1/4"-3/8" M/M ADAPTOR	0
KS1 CHY02032 CHY00020	1/4"-3/8" M/M ADAPTOR	0
KF1 CHY02032 CHY00020	1/4"-3/8" M/M ADAPTOR	0
Pk CHY02032 CHY00020	1/4"-3/8" M/M ADAPTOR	0
Pk1 CHY02010 CHY00015	1/4"-1/4" M/M ADAPTOR	0
T CHY02032 CHY00020	1/4"-3/8" M/M ADAPTOR	0
Ls CHY02010 CHY00015	1/4"-1/4" M/M ADAPTOR	0
B1 CHY00020		0

No. Part No	Description	Qty
-------------	-------------	-----

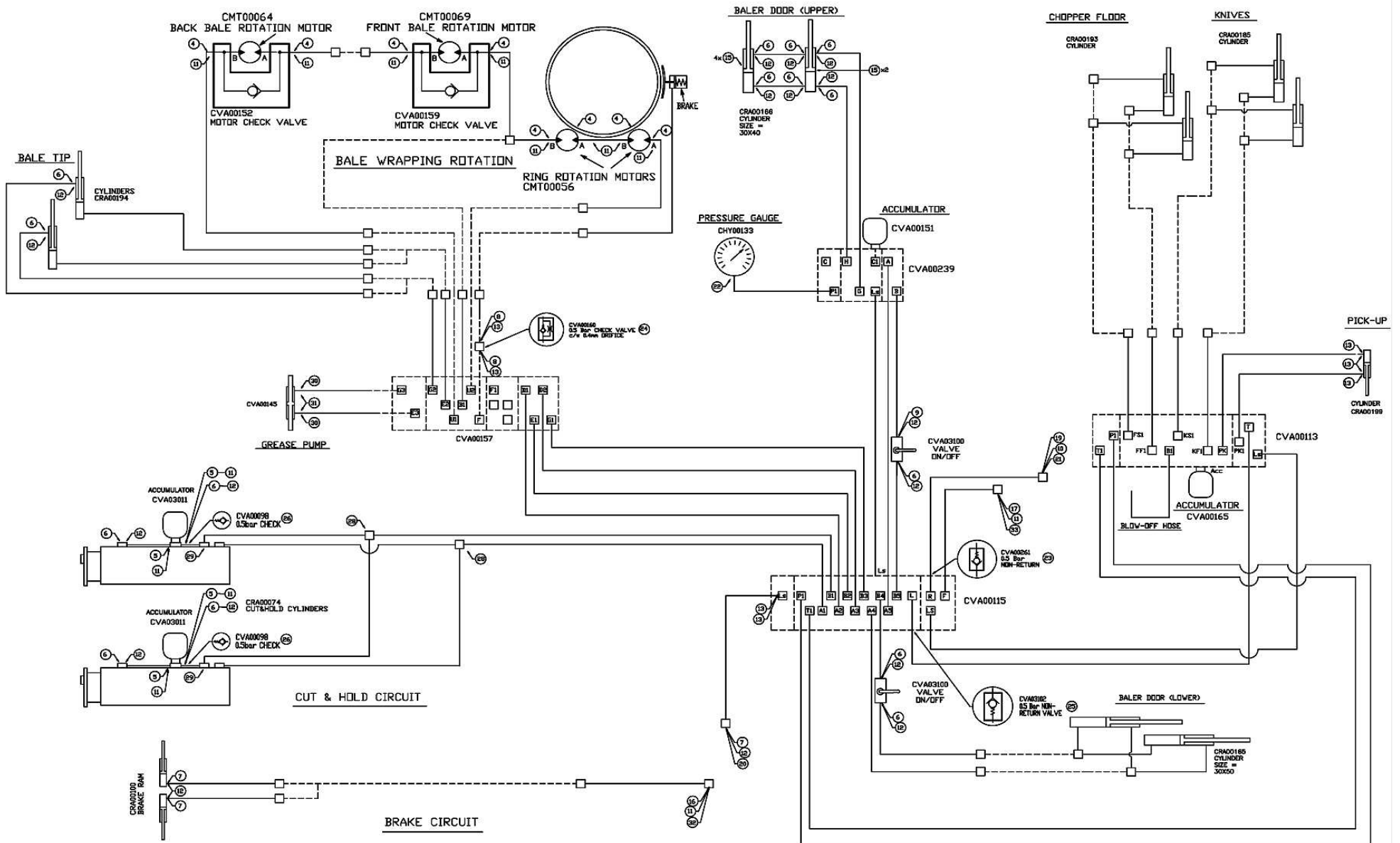


**CVA00239**

No.	Part No	Description	Qty
	Ports PartNo	Description	0
	<i>Dowty Seals</i>		
	P1 CHY02010	1/4"-1/4" M/M ADAPTOR	0
	<i>CHY00015</i>		
	H CHY02002	3/8"-3/8" M/M ADAPTOR	0
	<i>CHY00020</i>		
	G CHY02002	3/8"-3/8" M/M ADAPTOR	0
	<i>CHY00020</i>		
	C1(Ac CHY00109	3/8" M/F ADAPTOR	0
	<i>(CHY00020)X2</i>		
	CHY02008	1/2"-3/8" ADAPTOR	0
	<i>CHY00053</i>		
	Ls CHY02010	1/4"-1/4" M/M ADAPTOR	0
	<i>CHY00015</i>		
	A CHY02008	1/2"-3/8" M/M ADAPTOR	0
	<i>CHY00053</i>		
	B CHY02008	1/2"-3/8" M/M ADAPTOR	0
	<i>CHY00053</i>		

No.	Part No	Description	Qty
-----	---------	-------------	-----

# Hydraulic fittings (102)

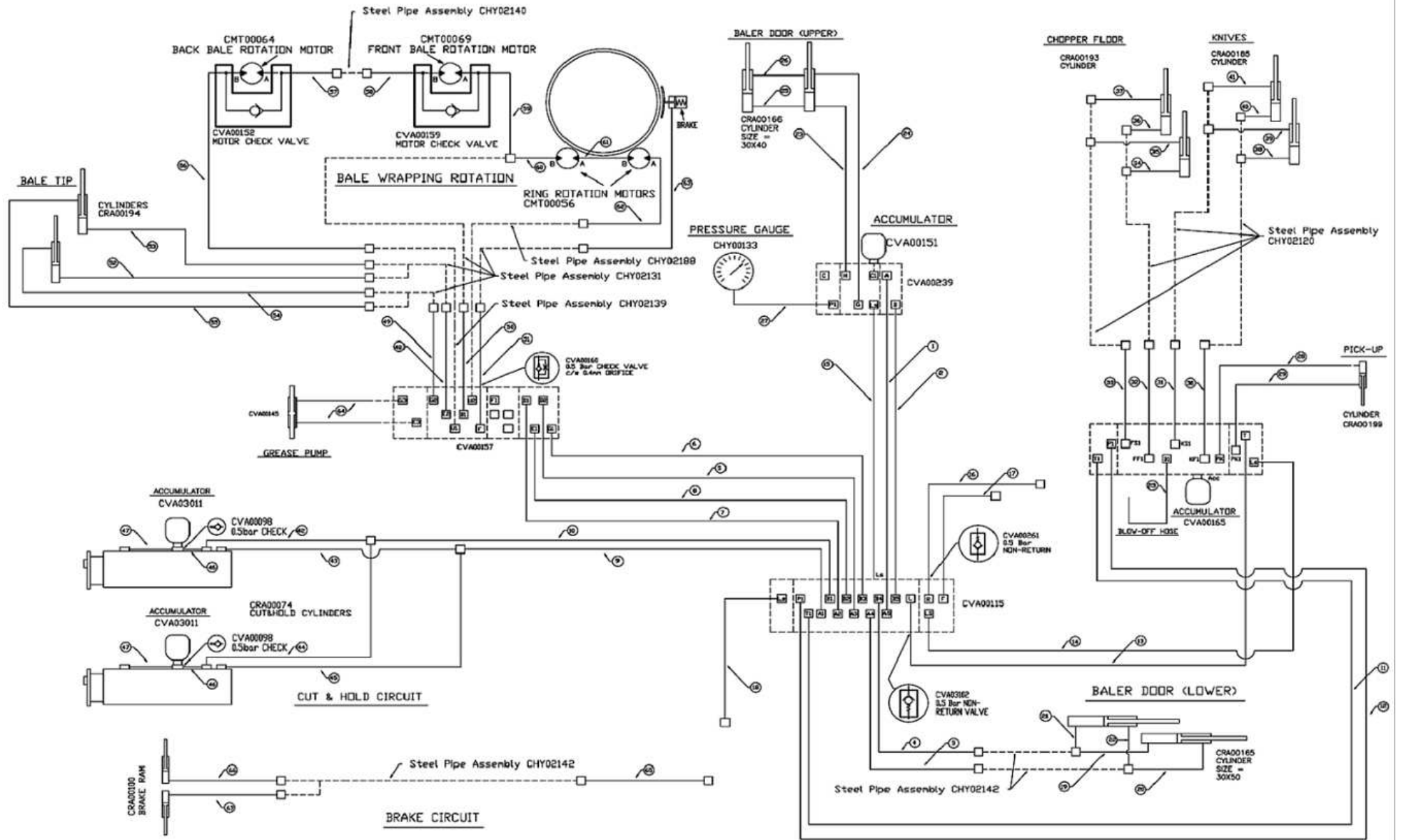




No.	Part No	Description	Qty
1	CHY02263	3/4" - 3/8" ADAPTOR	1
2	CHY02262	3/4" - 3/4" ADAPTOR	1
3	CHY00057	3/4" - 5/8" ADAPTOR	1
4	CHY02013	1/2" - 1/2" ADAPTOR	8
5	CHY02008	1/2" - 3/8" ADAPTOR	1
6	CHY02002	3/8" - 3/8" ADAPTOR	15
7	CHY02032	3/8" - 1/4" ADAPTOR	1
8	CHY02010	1/4" - 1/4" ADAPTOR	1
9	CHY00109	3/8" M - FM ADAPTOR	1
10	CHY02012	3/4" DOWTY SEALS	1
11	CHY00053	1/2" DOWTY SEALS	11
12	CHY00020	3/8" DOWTY SEALS	18
13	CHY00015	1/4" DOWTY SEALS	7
14	CHY00056	1/4" PRESSURE TEST PORTS	1
15	CHY02003	3/8" MALE BLANKING CAPS	6
16	CHY02085	1/2" - 1/4" ADAPTOR	1
17	CHY02042	5/8" - 1/2" ADAPTOR	1
18	CHY02079	3/4" - 1/2" ADAPTOR	1
19	CHY02262	3/4" - 3/4" ADAPTOR	1
20	CHY02314	3/8" QUICK RELEASE MALE	1
21	CHY02315	3/4" QUICK RELEASE MALE	1
22	CHY02103	1/4" M - FM ADAPTOR	1
23	CVA00261	3/4" M/F 0.5m CHECK VALVE	1
24	CVA00160	1/4" 0.4 mm ORIFICE CHECK VALVE	1
25	CVA03102	1/4" NON-RETURN VALVE	1
26	CVA00380	RELIEF/CHECK VALVE C&H FUSION	2
	<i>REPLACES CVA00098</i>		
27	CVA03100	VALVE ON/OFF 3/8" BALL TYPE	2
28	CHY00014	3/8" T-PIECE M/M/M	1
29	CHY02014	3/8" T-PIECE M/F/M	2
30	CHY00198	1/8"-12MM ADAPTOR M/M	2
31	CHY00195	1/8" DOWTY SEALS	2
32	CHY02451	BRAKE QUICK RELEASE FEMALE	1
33	CHY02015	1/2" QUICK RELEASE MALE	2

No.	Part No	Description	Qty
-----	---------	-------------	-----

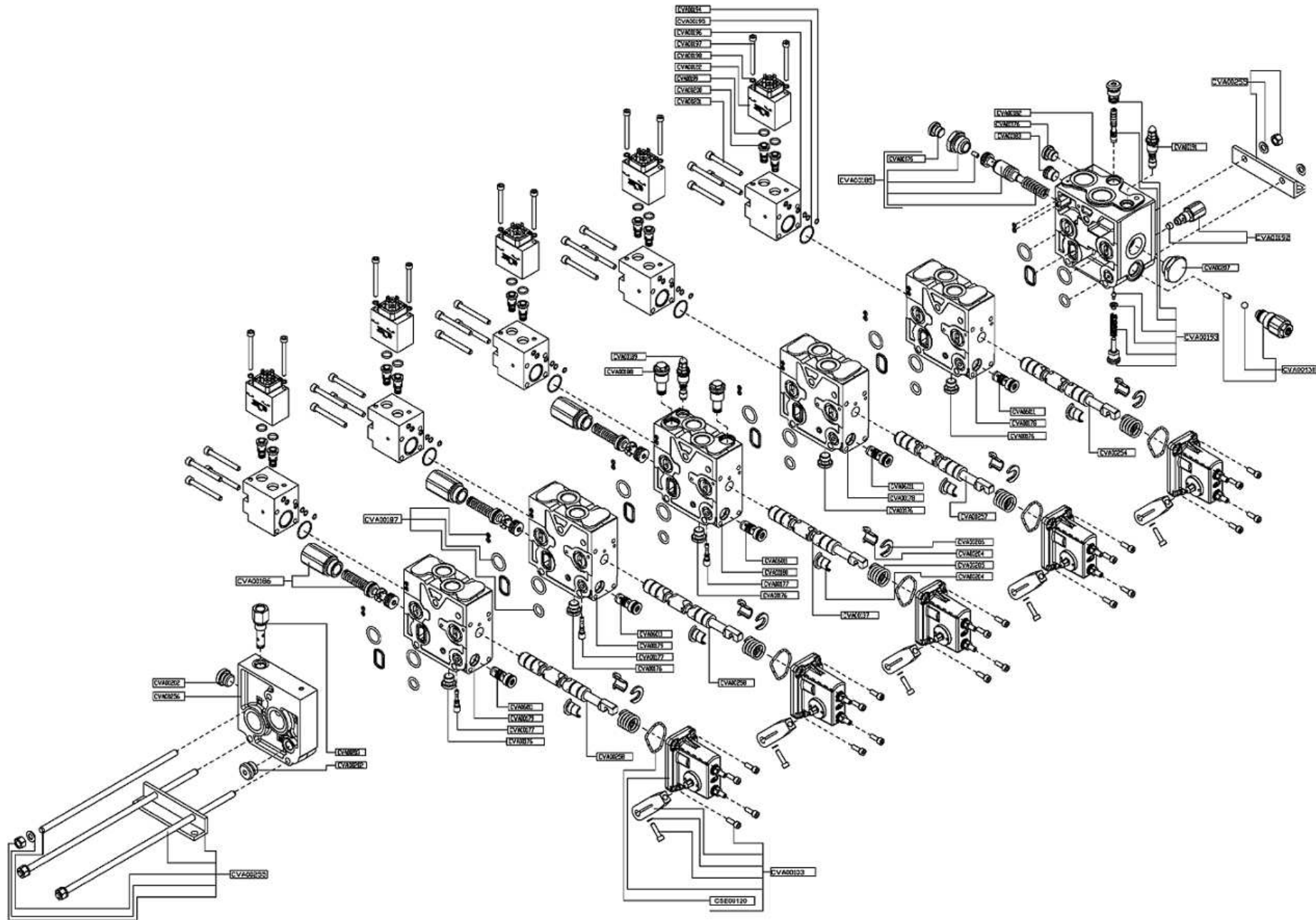
# Hydraulic hoses (103)



No.	Part No	Description	Qty
1	CHY02235	3/8" ♦ 360mm STR FM - STR FM	1
2	CHY02236	3/8" ♦ 265mm STR FM - STR FM	1
3	CHY02237	3/8" ♦ 1040mm STR FM - STR FM	1
4	CHY02238	3/8" ♦ 990mm STR FM - STR FM	1
5	CHY02239	1/2" ♦ 640mm STR FM - 90 FM	1
6	CHY02240	1/2" ♦ 590mm STR FM - 90 FM	1
7	CHY02241	3/8" ♦ 615mm STR FM - 90 FM	1
8	CHY02242	3/8" ♦ 580mm STR FM - 90 FM	1
9	CHY02225	3/8" ♦ 170mm STR FM - STR FM	1
10	CHY02225	3/8" ♦ 170mm STR FM - STR FM	1
11	CHY02244	3/8" ♦ 445mm STR FM - STR FM	1
12	CHY02243	3/8" ♦ 475mm STR FM - STR FM	1
13	CHY02246	1/4" ♦ 425mm STR FM - 90 FM	1
14	CHY02245	1/4" ♦ 635mm STR FM - 90 FM	1
15	CHY02215	1/4" ♦ 550mm STR FM - 90FM	1
16	CHY02255	5/8" ♦ 4250mm STR FM - STR FM	1
17	CHY02256	3/4" ♦ 4250mm STR FM - STR FM	1
18	CHY02254	1/4" ♦ 4900mm STR FM - 1/4" BANJO & BOLT	1
19	CHY02220	3/8" ♦ 1300mm STR FM - STR FM	1
20	CHY02219	3/8" ♦ 1310mm STR FM - STR FM	1
21	CHY02222	3/8" ♦ 490mm STR FM - 90 FM	1
22	CHY02221	3/8" ♦ 505mm STR FM - 90 FM	1
23	CHY02261	3/8" ♦ 1100mm STR M - 15MM STAND PIPE	1
24	CHY02205	3/8" ♦ 1450mm 90 FM - STR FM	2
25	CHY02204	3/8" ♦ 2740mm 90 FM - 90 FM	1
26	CHY02203	3/8" ♦ 2810mm 90 FM - 90 FM	1
27	CHY02247	1/4" ♦ 1240mm 90 FM - 90FM	1
28	CHY02253	1/4" ♦ 940mm STR FM - 1/4" BANJO 30MM BOLT	1
29	CHY02252	1/4" ♦ 1090mm 90FM - 1/4" BANJO 30MM BOLT	1
30	CHY02259	1/4" ♦ 1000mm STR FM - 90 FM	1
31	CHY02260	1/4" ♦ 1015mm STR FM - 90 FM	1
32	CHY02257	1/4" ♦ 1200mm STR FM - 90 FM	1
33	CHY02258	1/4" ♦ 1210mm STR FM - 90 FM	1
34	CHY02195	1/4" ♦ 565mm STR FM - 90 FM	1
35	CHY02196	1/4" ♦ 510mm STR FM - 90 FM	1
36	CHY02199	1/4" ♦ 455mm STR FM - 90 FM	1
37	CHY02198	1/4" ♦ 415mm STR FM - 90 FM	1
38	CHY02192	1/4" ♦ 705mm STR FM - 90 FM	1
39	CHY02193	1/4" ♦ 875mm STR FM - 90 FM	1
40	CHY02194	1/4" ♦ 610mm STR FM - 90 FM	1
41	CHY02197	1/4" ♦ 710mm STR FM - 90 FM	1
42	CHY02298	3/8" ♦ 580mm STR FM - STR FM	1
43	CHY02229	3/8" ♦ 500mm STR FM - 90 FM	1
44	CHY02230	3/8" ♦ 4675mm STR FM - STR FM	1
45	CHY02231	3/8" ♦ 4550mm STR FM - 90 FM	1
46	CHY02227	3/8" ♦ 225mm STR FM - STR FM	2
47	CHY02226	3/8" ♦ 350mm STR FM - 90 FM	2
48	CHY02248	3/8" ♦ 455mm STR FM - STR FM	1

No.	Part No	Description	Qty
49	CHY02250	3/8" ♦ 425mm STR FM - STR FM	1
50	CHY02249	3/8" ♦ 400mm STR FM - STR FM	1
51	CHY02251	1/4" ♦ 455mm STR FM - STR FM	1
52	CHY02208	3/8" ♦ 780mm STR FM - STR FM	1
53	CHY02207	3/8" ♦ 1645mm STR FM - STR FM	1
54	CHY02209	3/8" ♦ 875mm STR FM - STR FM	1
55	CHY02206	3/8" ♦ 1725mm STR FM - STR FM	1
56	CHY02211	1/2" ♦ 1250mm STR FM- 45 FM	1
57	CHY02211	1/2" ♦ 1250mm STR FM- 45 FM	1
58	CHY02217	1/2" ♦ 990mm STR FM - STR FM	1
59	CHY02216	1/2" ♦ 780mm STR FM - STR FM	1
60	CHY02212	1/2" ♦ 1280mm STR FM - 90 FM	1
61	CHY02213	1/2" ♦ 1875mm 90 FM - 90 FM	1
62	CHY02214	1/2" ♦ 420mm STR FM - 90 FM	1
63	CHY02210	1/4" ♦ 1670mm STR FM - 90 FM	1
64	CHY00199	1/4" ♦ 500mm STR FM - 6L (M12 THREAD) 90 FM	2
65	CHY02234	1/4" ♦ 4050mm STR FM -STR FM	1
66	CHY02233	1/4" ♦ 2350mm STR FM - 90 FM	1
67	CHY02232	1/4" ♦ 265mm STR FM -90 FM	1

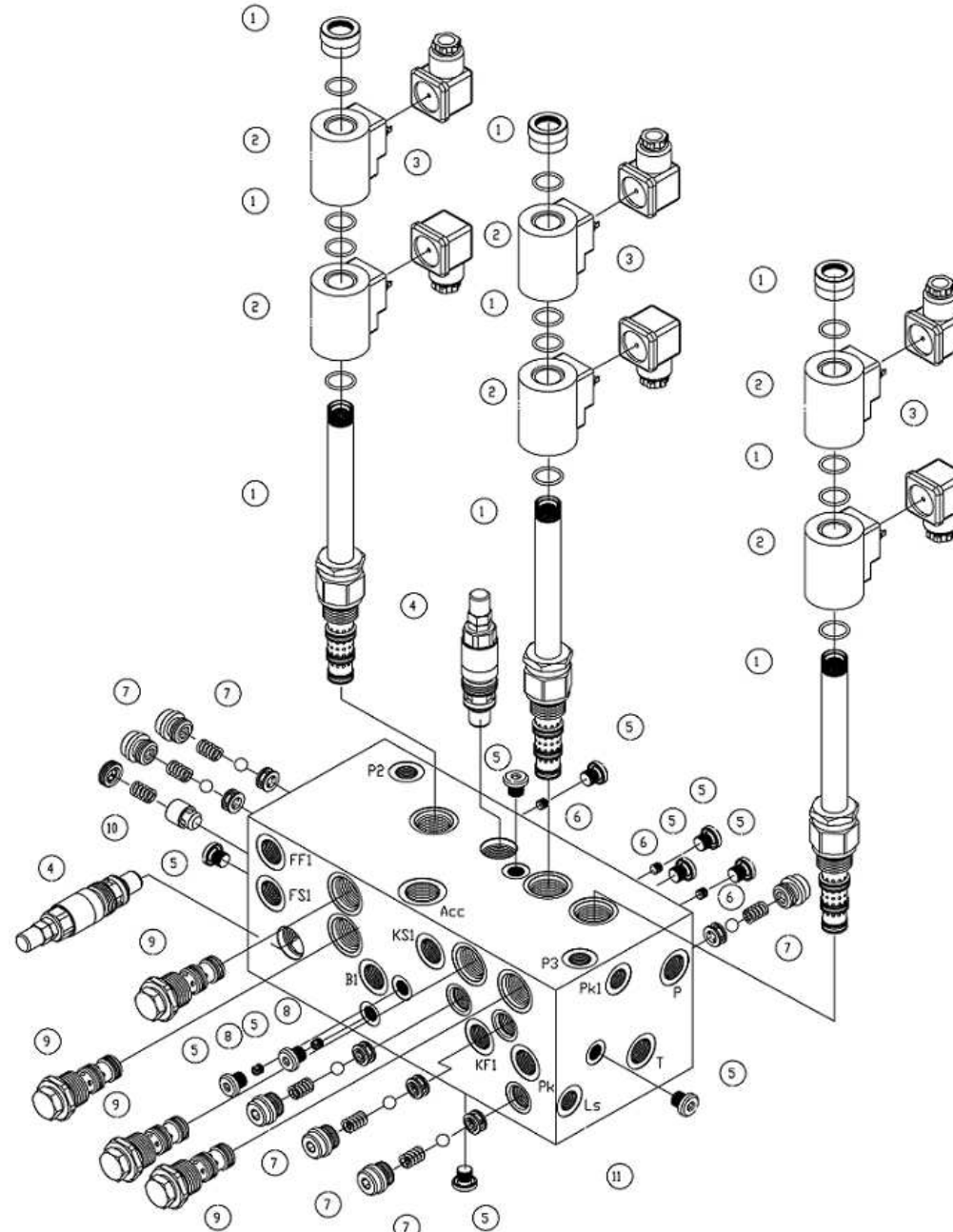
# Hydraulic valve main control CVA00115 (105)



No. Part No	Description	Qty
0115 CVA00115	VALVE CTL 4 BANK BALER DPC130	1
0120 CSE00120	SEAL O-RING LEVER BOX DPC130	5
0103 CVA00103	LEVER PIVOT BOX DPC130	1
0122 CVA00122	SOLENOID DPC130	1
0137 CVA00137	SPOOL C&H; HS/ROTATION; FUSION	1
0138 CVA00138	PLUG OPEN/CLOSED DSK DPC130	1
0176 CVA00176	PLUG BSP 1/4"	7
0177 CVA00177	FLOW LIMITER DPC130	1
0178 CVA00178	VALVE SECTION DPC130 D10	1
0179 CVA00179	VALVE SECTION DPC130 C10	1
0180 CVA00180	VALVE SECTION DPC130 C21	1
0182 CVA00182	INLET SECTION	1
0183 CVA00183	TAP M14 X 1.5	1
0185 CVA00185	INLET COMPENSATION VALVE	1
0186 CVA00186	SECTION COMPENSATOR DPC130	1
0187 CVA00187	SEAL KIT DPC130 "O" RINGS	1
0188 CVA00188	PLUG UT/DPC130	1
0189 CVA00189	VALVE DPC130 (40-180 BAR)	1
0191 CVA00191	VALVE DPC130 (180-350BAR)	1
0192 CVA00192	FILTER LOAD SENSING DPC130	1
0193 CVA00193	VALVE PRESSURE REDUCING DPC130	1
0194 CVA00194	O-RING SEAL 5 X 1.2MM PARKER	1
0195 CVA00195	O-RING SEAL 21.95MM X 1.78MM	1
0196 CVA00196	BODY DPC130	1
0197 CVA00197	SOC CAP M5 X 55MM	1
0198 CVA00198	WASHER ELASTIC M5	1
0199 CVA00199	O-RING SEAL 11.11MM X 1.78MM	1
0200 CVA00200	PRESSURE REDUCER DPC130	1
0201 CVA00201	SOC CAP M6 X 55MM	1
0202 CVA00561	BLANKING CAP 3/8" (OLEOSTAR)	2
0203 CVA00203	JOINT DPC130	1
0204 CVA00204	OPEN BUSHING DPC130	1
0205 CVA00205	SPRING DPC130	1
0206 CVA00206	RING 11.2 X 23 X 3MM	1
0207 CVA00207	PLUG DPC130	1
0254 CVA00254	SPOOL CUT & HOLD FUSION	1
0255 CVA00255	TIE ROD KIT VALVE CHEST FUSION	1
0256 CVA00256	END BLOCK VALVE CHEST FUSION	1
0257 CVA00257	SPOOL CRADLE TIP FUSION	1
0258 CVA00258	SPOOL TOP & BTM. DOOR FUSION	1
6011 CVA06011	CTE SHUTTLE VALVE DPC	1
6011 CSE00138	SEAL KIT DPC130 SHUTTLE VALVE	1
<i>SEAL KIT FOR SHUTTLE VALVE CVA06011</i>		

No. Part No	Description	Qty
-------------	-------------	-----

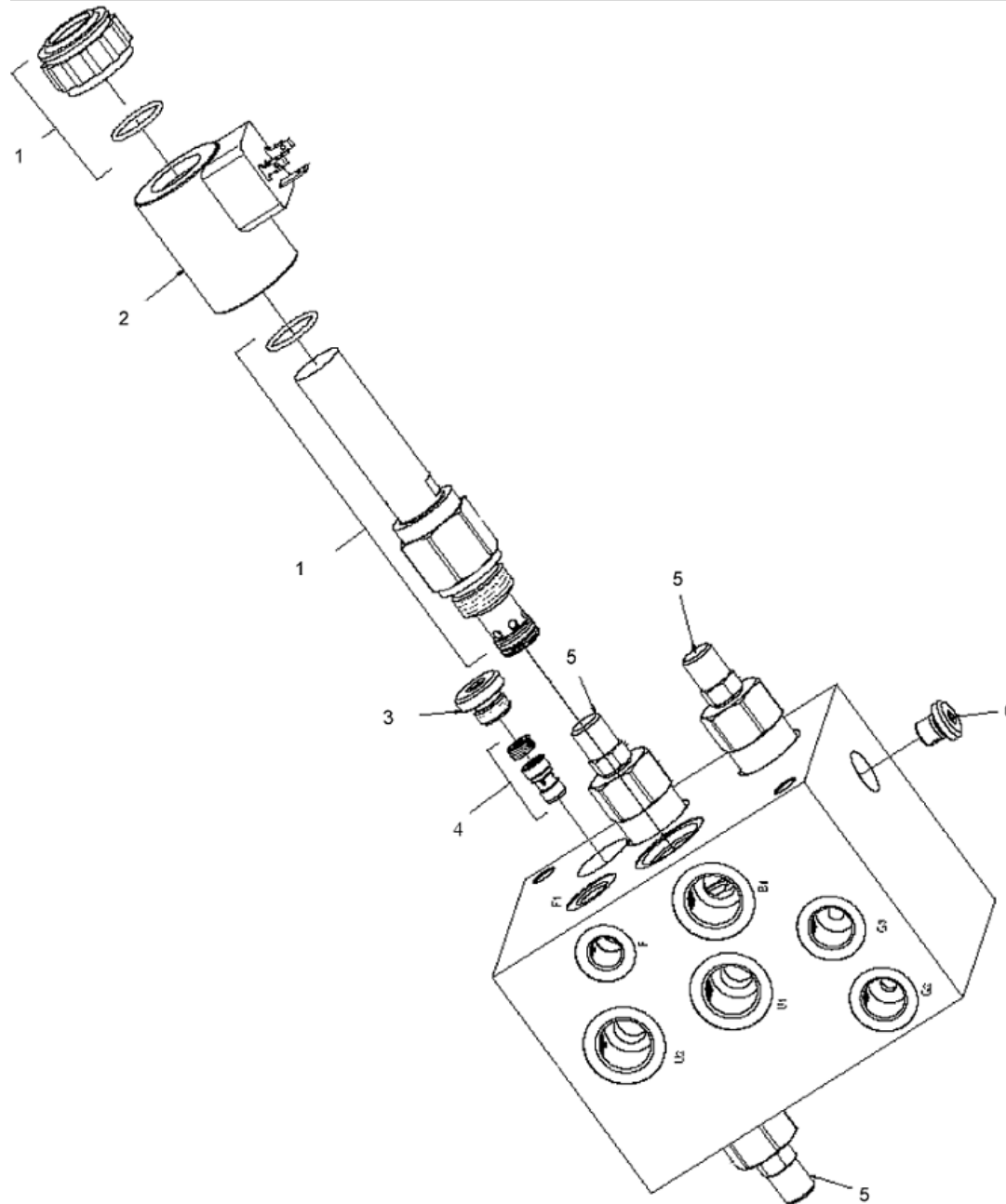
**Hydraulic valve knife-floor-pick up CVA00113 (107)**



No.	Part No	Description	Qty
1	CVA00249	CARTRIDGE VALVE 3 POSITION	3
2	CVA00250	COILS FOR CARTRIDGE VALVE	6
3	CEL00605	SOLENOID CONNECTOR	6
4	CVA00552	RELIEF VALVE ASSY	2
5	CVA00553	BLANKING CAP	10
6	CVA00554	GRUBSCREW ORIFICE	3
7	CVA00555	CHECK VALVE ASSY	6
8	CVA00268	GRUBSCREW ORIFICE 0.7 M6X6	2
9	CVA00248	PILOT CHECK CARTRIDGE 30 BAR	4
10	CVA00556	CHECK VALVE ASSY	1

No.	Part No	Description	Qty
-----	---------	-------------	-----

**Hydraulic valve rotation & tip CVA00157 (108)**

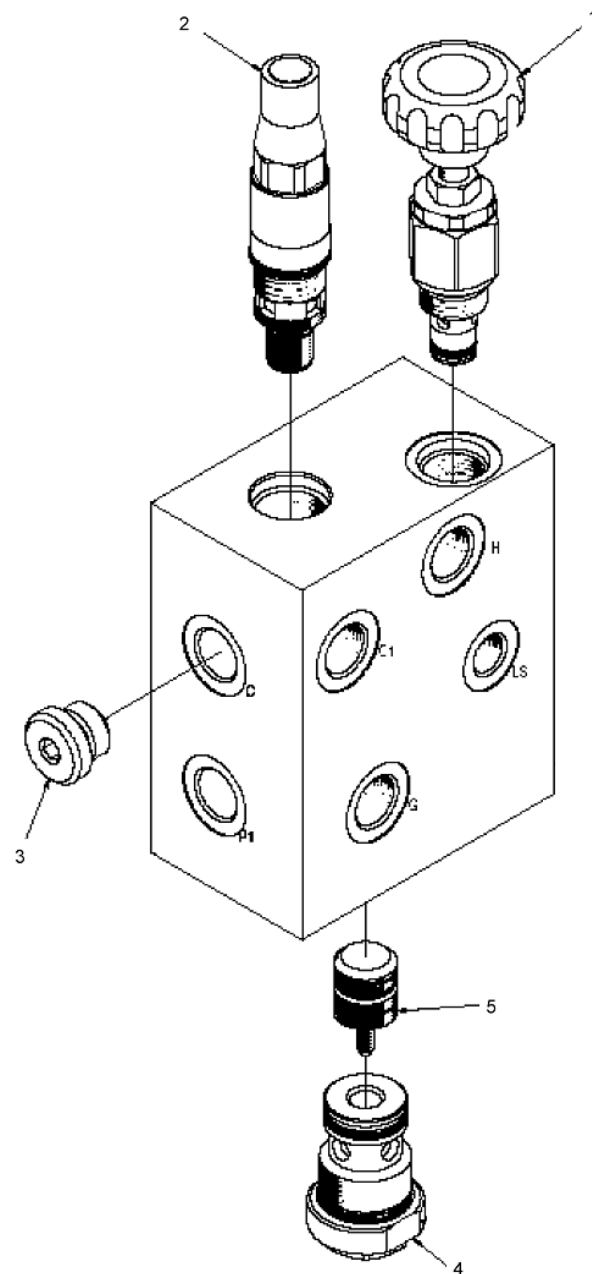




No.	Part No	Description	Qty
1	CVA00252	CARTRIDGE VALVE ON/OFF	1
2	CVA00253	COILS FOR CARTRIDGE VALVE	1
3	CVA00176	PLUG BSP 1/4 ALLEN HD +SEAL	1
4	CVA00558	SHUTTLE VALVE ASSY	3
5	CVA00559	OVER CENTRE VALVE ASSY	1
6	CVA00553	BLANKING CAP 1/8	1

No.	Part No	Description	Qty
-----	---------	-------------	-----

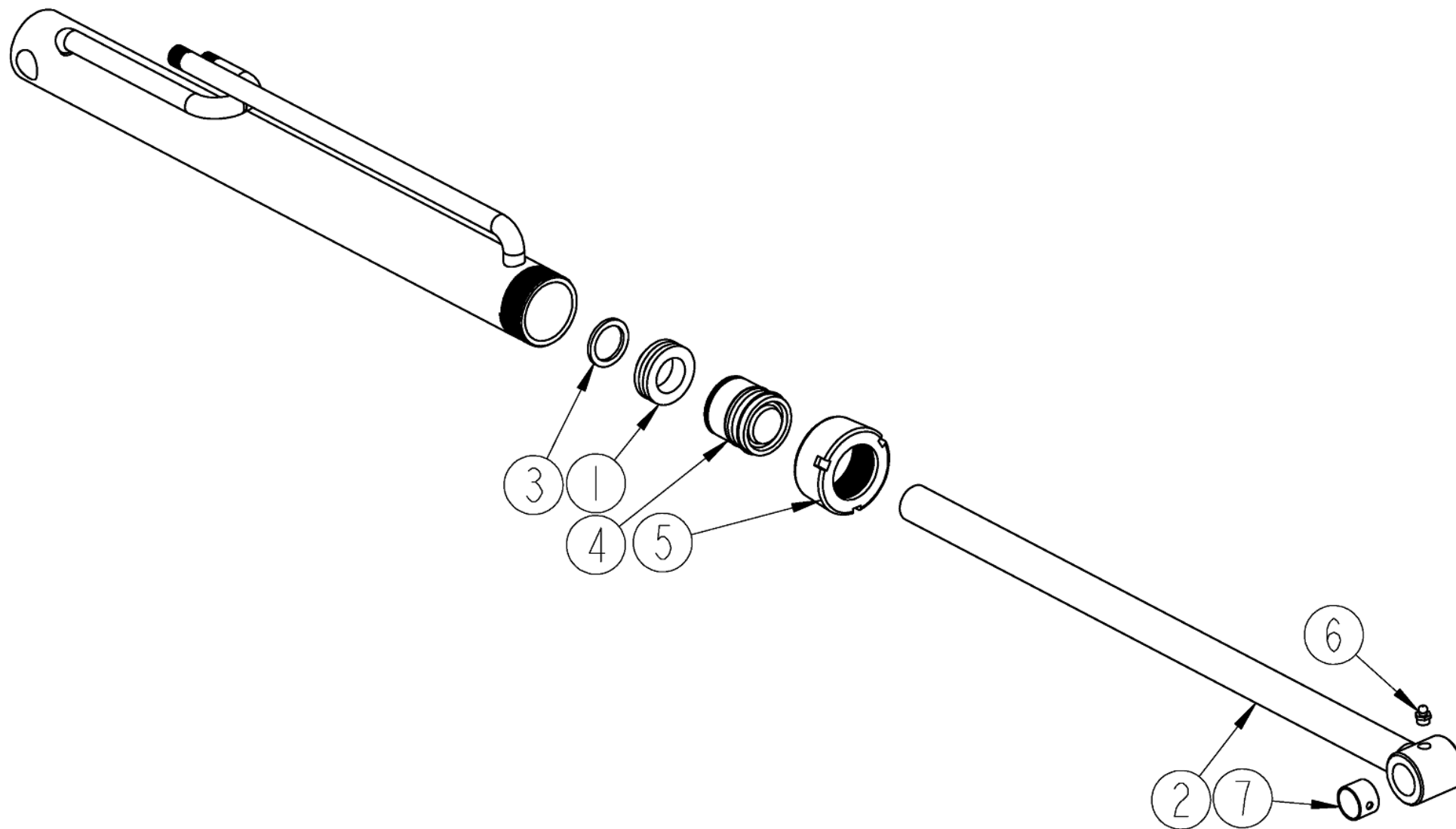
**Hydraulic valve baler door CVA00239 (109)**



No.	Part No	Description	Qty
1	CVA00251	VALVE RELIEF CARTRIDGE	1
2	CVA00560	RELIEF VALVE ASSY	1
3	CVA00561	BLANKING CAP	1
4	CVA00269	CHECK VALVE CARTRIDGE	1
5	CVA00562	PISTON	1
6	CVA00553	BLANKING CAP 1/8	1

No.	Part No	Description	Qty
-----	---------	-------------	-----

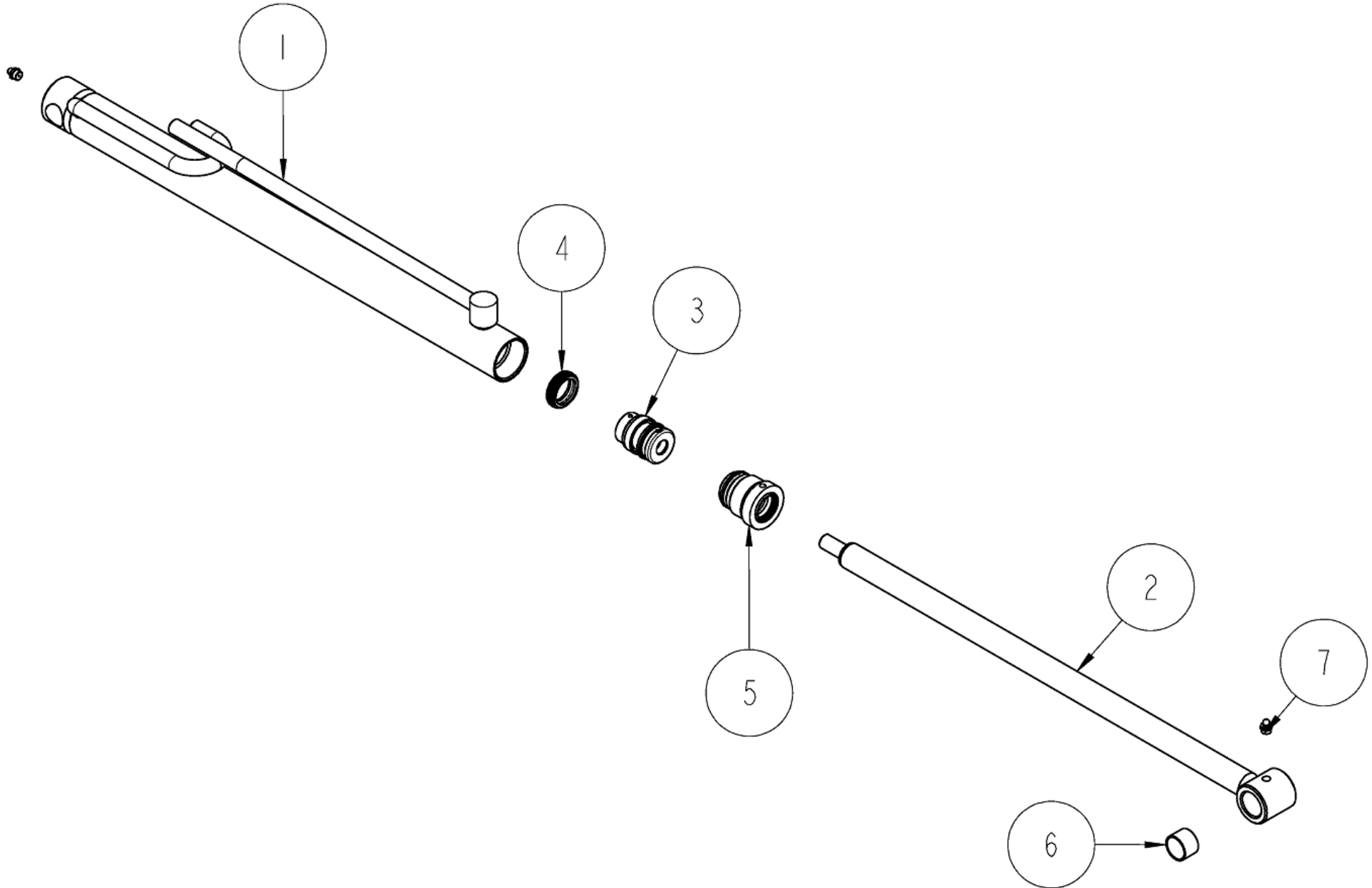
***Hydraulic rams bottom door CRA00165 [up to serial no. 650619] (110)***



No.	Part No	Description	Qty
1	CRA00222	SEAL GLAND FOR CRA00165 BOTTOM	1
2	CRA00220	RAM ROD FOR CRA00165	1
3	CSE00126	SEAL KIT FOR RAM CRA00165	1
4	CRA00221	SEAL GLAND FOR CRA00165 TOP	1
5	CRA00223	RAM CAP FOR CRA00165	1
6	CFA00111	GREASE NIPPLE M10X1.5 STRAIGHT	1
7	CBR00040	BEARING GLACIER PM 25 X 20	2

No.	Part No	Description	Qty
-----	---------	-------------	-----

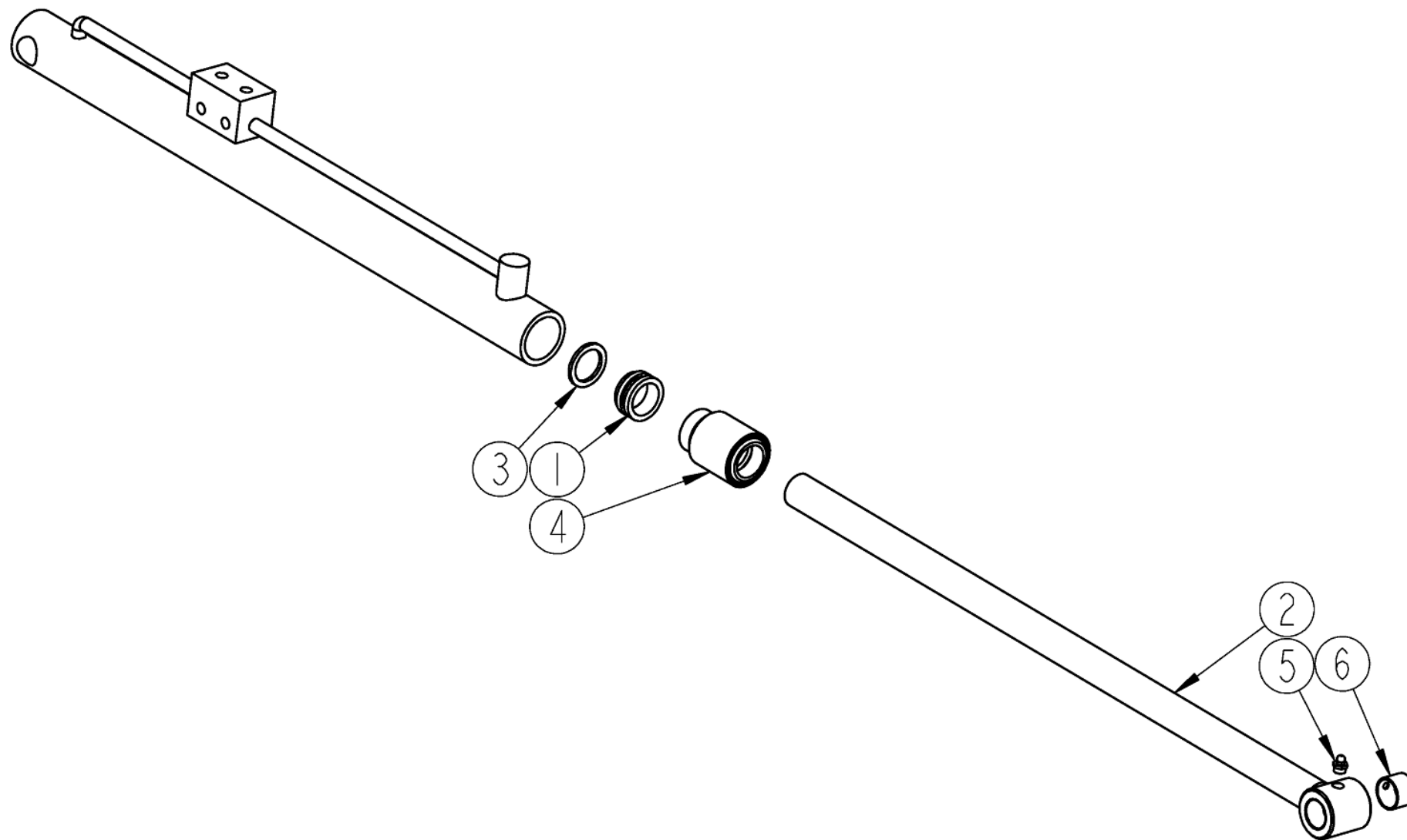
**Hydraulic rams bottom door CRA00252 [from serial no. 650620] (111)**



No.	Part No	Description	Qty
1	CRA00255	RAM BODY FOR CRA00252	1
2	CRA00254	RAM ROD FOR CRA00252	1
3	CRA00257	SEAL GLAND BOTTOM	1
4	CSE00140	SEAL KIT FOR CRA00252	1
5	CRA00256	SEAL GLAND TOP	1
6	CBR00101	BEARING GLACIER PM 2525 DX	2
7	CFA00111	GREASE NIPPLE M10X1.5 STRAIGHT	2

No.	Part No	Description	Qty
-----	---------	-------------	-----

**Hydraulic rams top door CRA00166 [up to serial no. 650619] (112)**

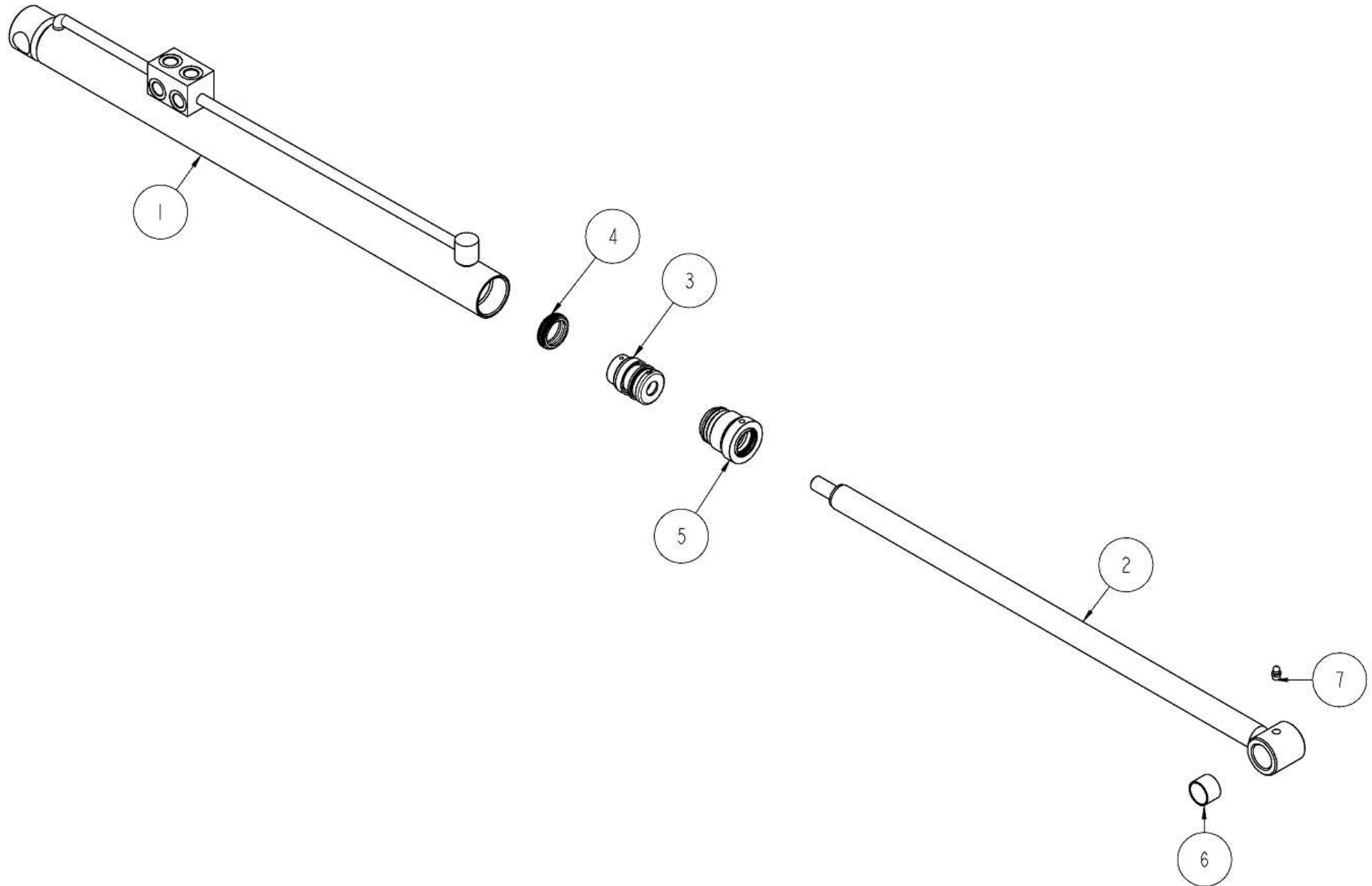




No.	Part No	Description	Qty
1	CRA00218	SEAL GLAND FOR CRA00166 BOTTOM	1
2	CRA00219	RAM ROD FOR CRA00166	1
3	CSE00125	SEAL KIT FOR RAM CRA00166	1
4	CRA00217	SEAL GLAND FOR CRA00166 TOP	1
5	CFA00111	GREASE NIPPLE M10X1.5 STRAIGHT	1
6	CBR00040	BEARING GLACIER PM 25 X 20	2

No.	Part No	Description	Qty
-----	---------	-------------	-----

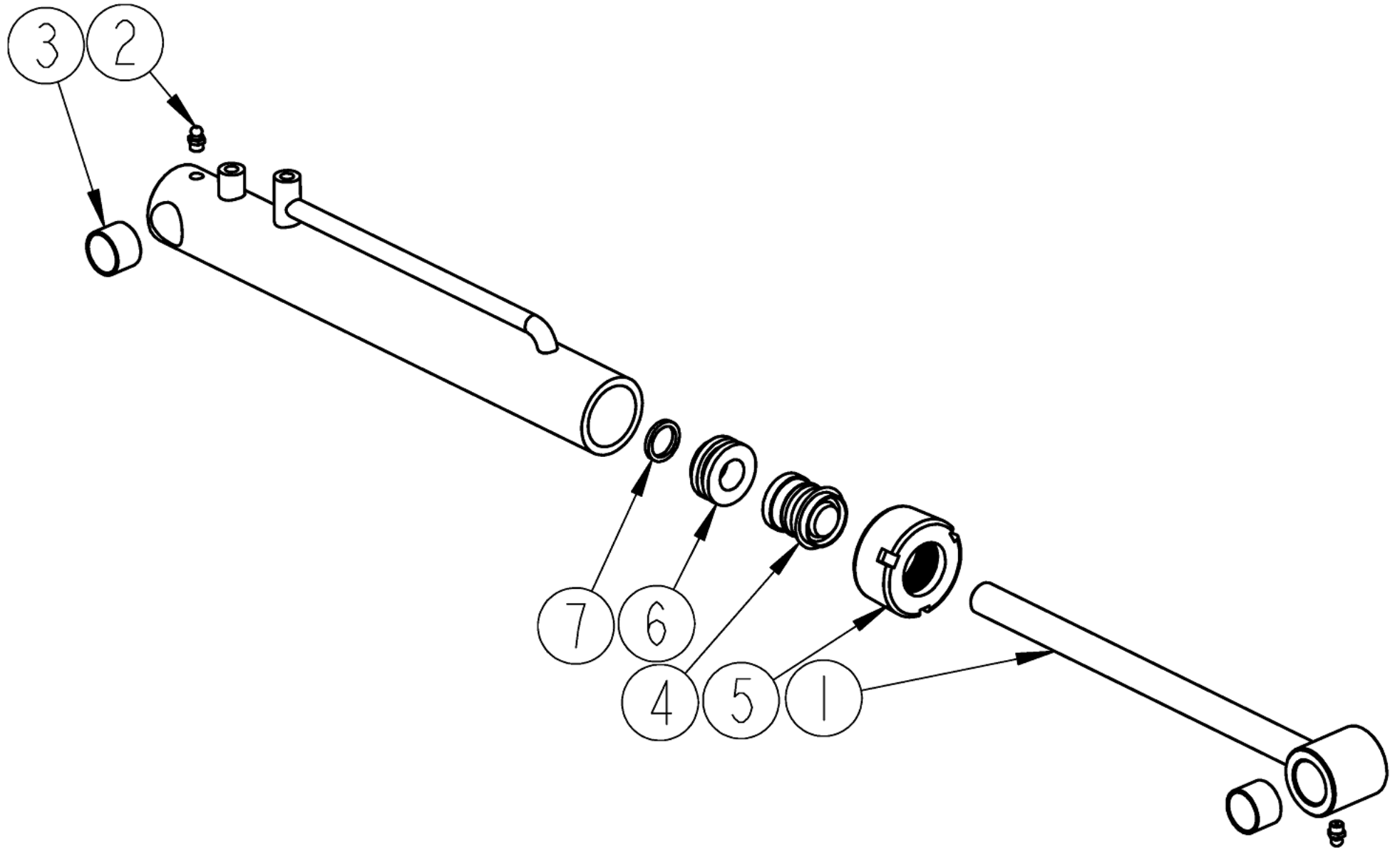
**Hydraulic rams top door CRA00253 [from serial no. 650620] (113)**



No.	Part No	Description	Qty
1	CRA00258	RAM BODY FOR CRA0025	1
2	CRA00259	RAM ROD FOR CRA00253	1
3	CRA00257	SEAL GLAND BOTTOM	1
4	CSE00140	SEAL KIT FOR CRA00252	1
5	CRA00256	SEAL GLAND TOP	1
6	CBR00101	BEARING GLACIER PM 2525 DX	2
7	CFA00111	GREASE NIPPLE M10X1.5 STRAIGHT	1

No.	Part No	Description	Qty
-----	---------	-------------	-----

**Hydraulic rams drop floor CRA00193 (114)**

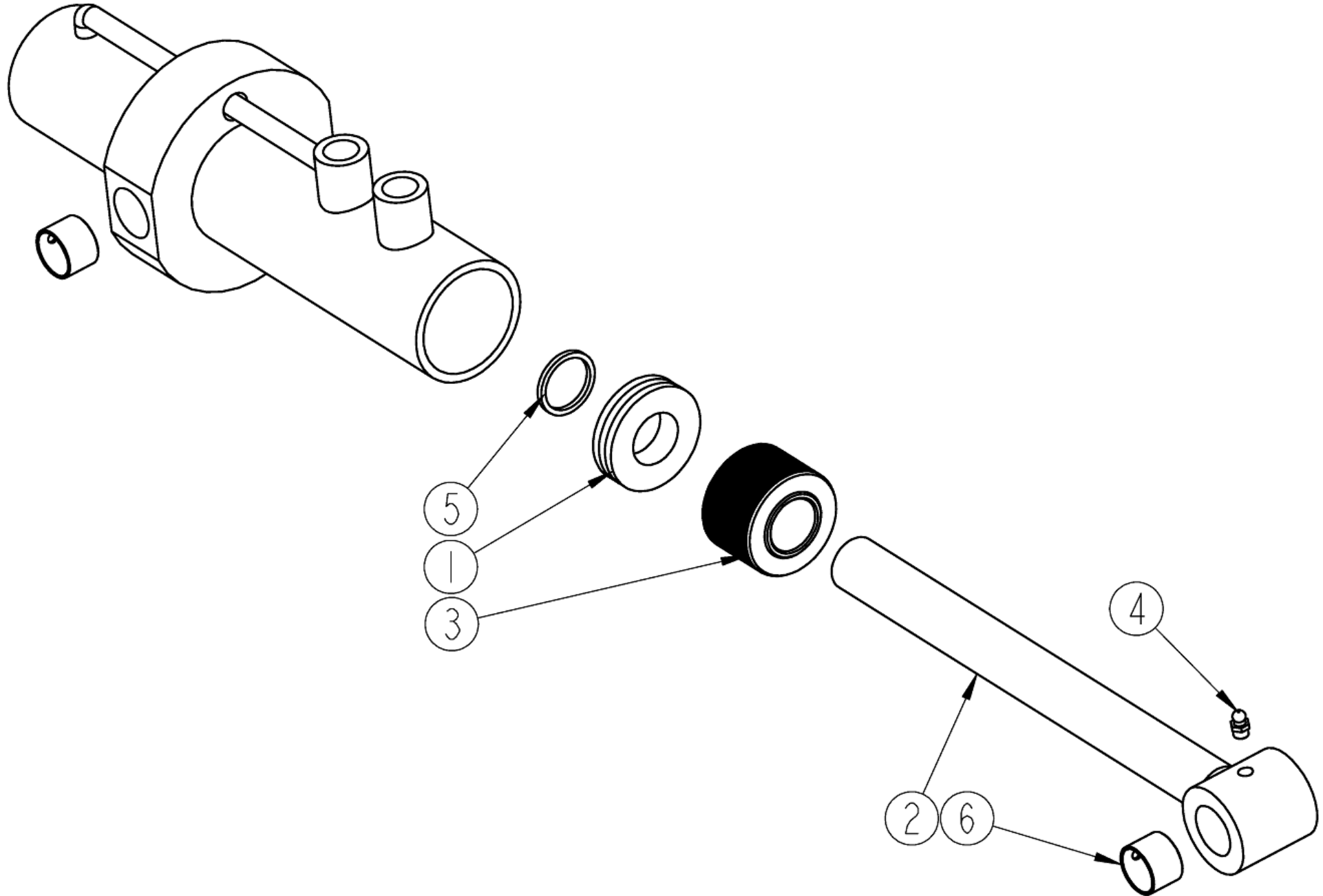


No.	Part No	Description	Qty
1	CRA00198	PISTON FOR CRA00197	1
2	CFA00118	GREASE NIPPLE M8X1.25 STRAIGHT	2
3	CBR00101	BEARING GLACIER PM 2525 DX	4
4	CRA00213	SEAL GLAND FOR CRA00193 TOP	1
5	CRA00212	RAM CAP FOR CRA00193	1
6	CRA00214	SEAL GLAND FOR CRA00193 BOTTOM	1
7	CSE00123	SEAL KIT FOR RAM CRA00193	1

USED ON FUSION 1 ONLY

No.	Part No	Description	Qty
-----	---------	-------------	-----

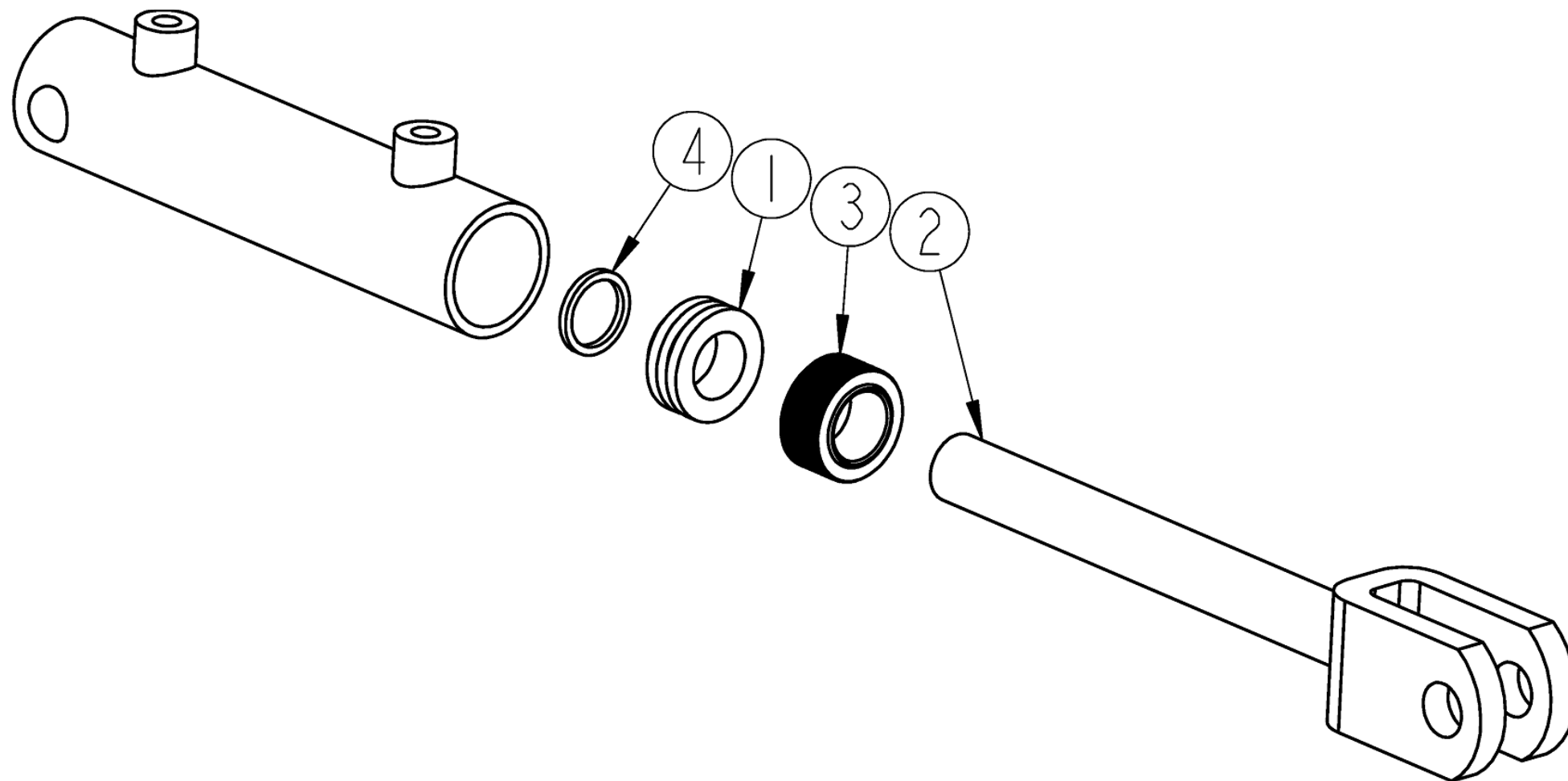
**Hydraulic rams rear cradle CRA00194 (115)**



No.	Part No	Description	Qty
1	CRA00211	SEAL GLAND FOR CRA00194 BOTTOM	1
2	CRA00209	RAM ROD ROLLER CRADLE FUSION	1
3	CRA00210	SEAL GLAND FOR CRA00199 TOP	1
4	CFA00118	GREASE NIPPLE M8X1.25 STRAIGHT	1
5	CSE00122	SEAL KIT FOR RAM CRA00194	1
6	CBR00040	BEARING GLACIER PM 25 X 20	4

No.	Part No	Description	Qty
-----	---------	-------------	-----

**Hydraulic rams pick-up CRA00199 (117)**

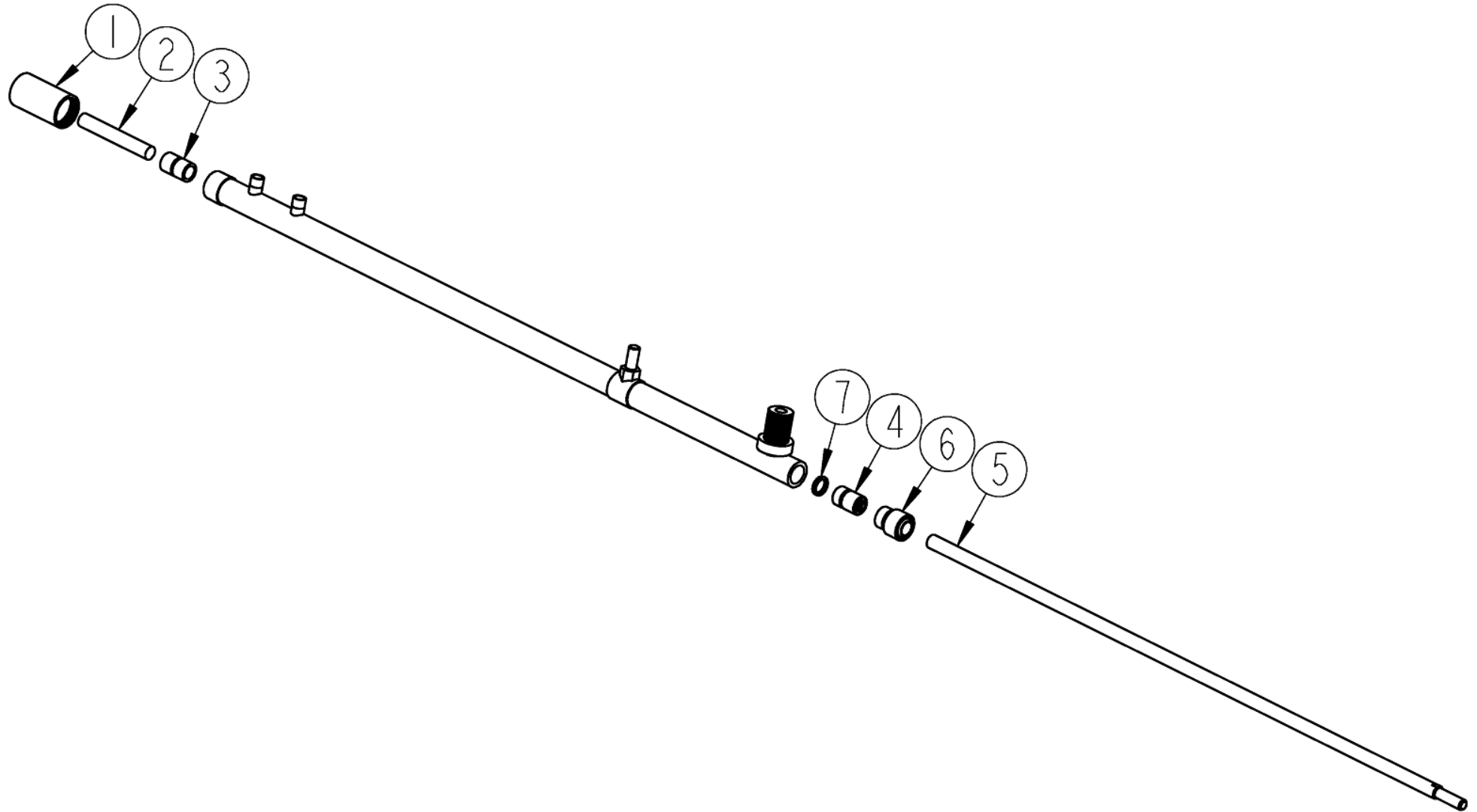




No.	Part No	Description	Qty
1	CRA00208	SEAL GLAND FOR CRA00199 BOTTOM	1
2	CRA00206	RAM ROD PICKUP BALER	1
3	CRA00207	SEAL GLAND FOR CRA00199 TOP	1
4	CSE00121	SEAL KIT FOR RAM CRA00199	1

No.	Part No	Description	Qty
-----	---------	-------------	-----

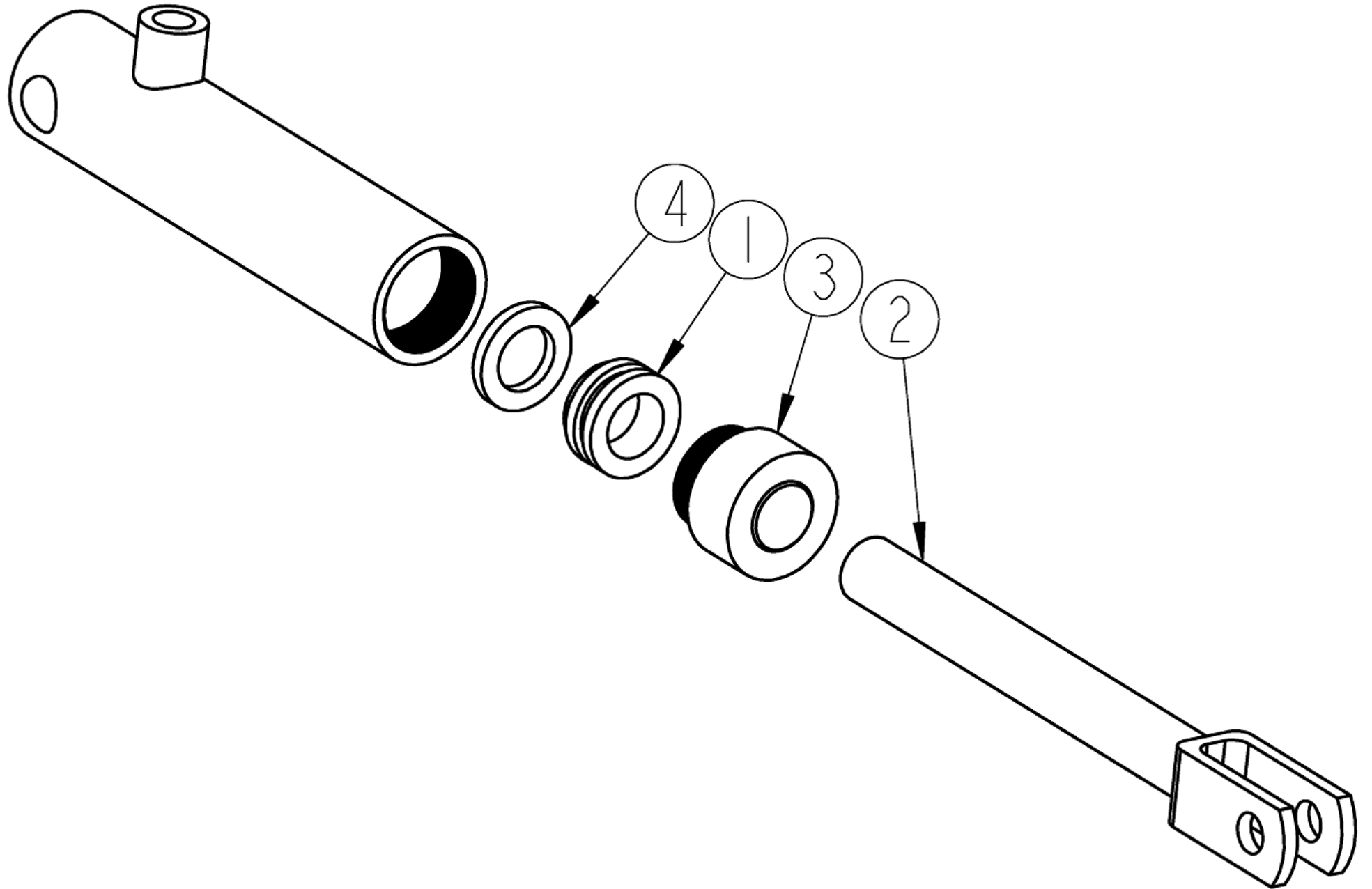
**Hydraulic rams cut & hold CRA00074 (118)**



No.	Part No	Description	Qty
1	CRA00106	GLAND FOR CRA00074 BOTTOM	1
2	CRA00104	RAM ROD BOTTOM FOR CRA00074	1
3	CRA00102	RAM PISTON FOR CRA00074 BOTTOM	1
4	CRA00101	RAM PISTON FOR CRA00074 TOP	1
5	CRA00103	RAM ROD TOP FOR CRA00074	1
6	CRA00105	SEAL GLAND TOP FOR CRA00115	1
7	CSE00074	SEAL KIT RAM CUT&HOLD	1

No.	Part No	Description	Qty
-----	---------	-------------	-----

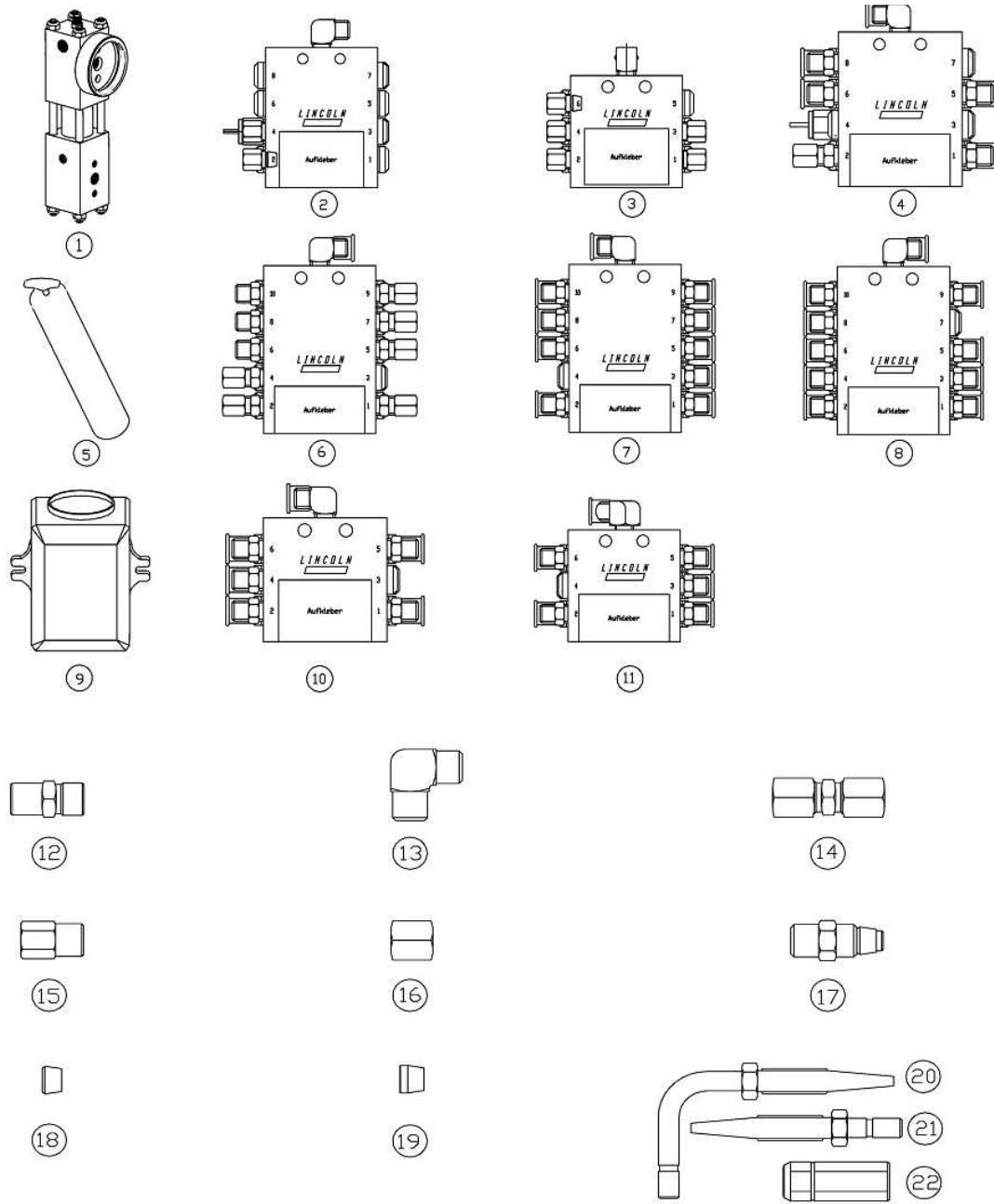
**Hydraulic rams brake actuation CRA00100 (119)**



No.	Part No	Description	Qty
1	CRA00227	PISTON FOR RAM CRA00100	1
2	CRA00226	RAM ROD FOR CRA00100	1
3	CRA00228	SEAL GLAND FOR CRA00100 TOP	1
4	CSE00129	SEAL KIT FOR RAM CRA00100	1

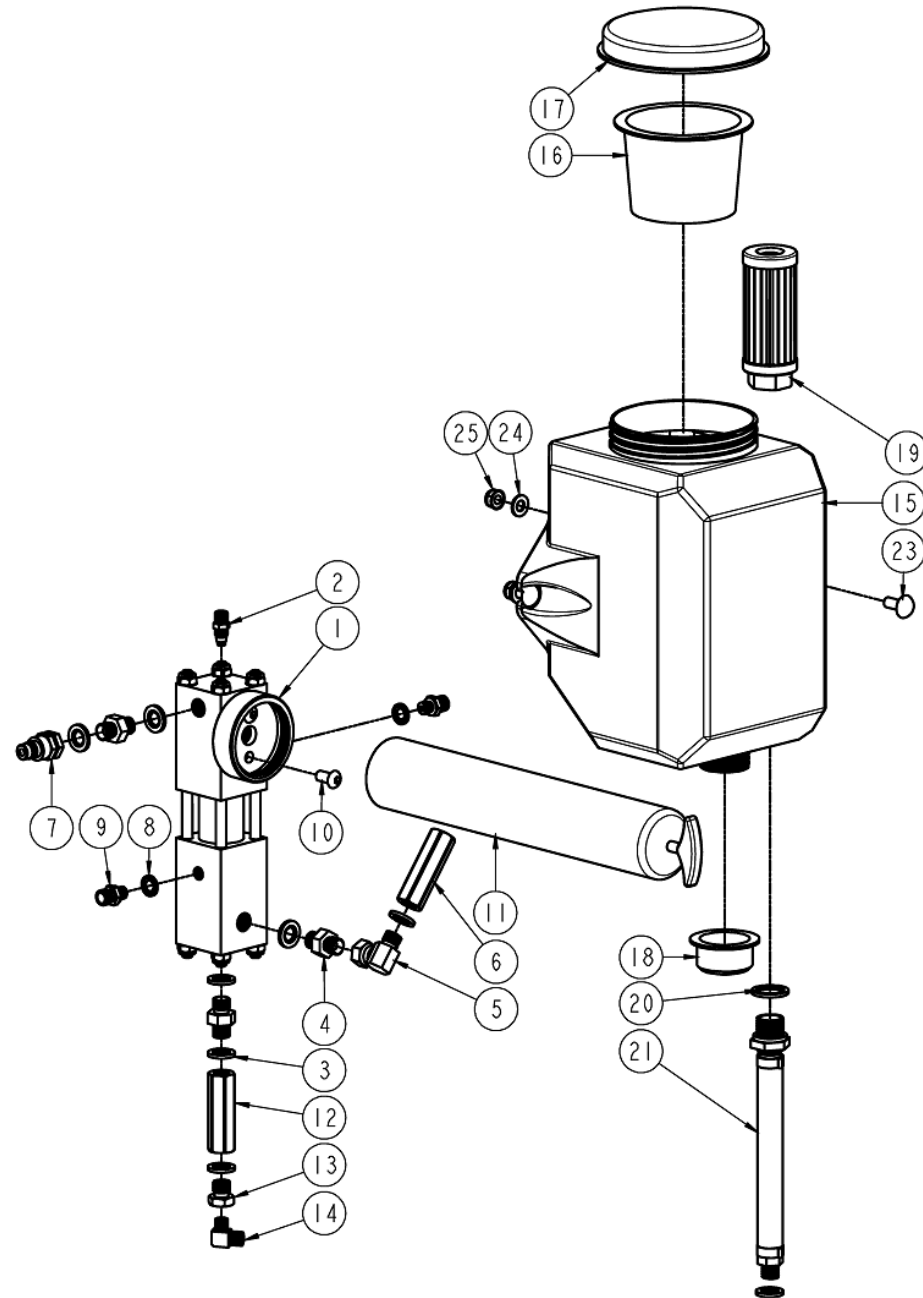
No.	Part No	Description	Qty
-----	---------	-------------	-----

# Oil & Grease systems 1 (120)



No.	Part No	Description	Qty
1	CVA00145	OIL & GREASE PUMP	1
2	CHY00201	OIL MASTER BLOCK	1
3	CHY00202	OIL SECONDARY BLOCK	1
4	CHY00209	GREASE MASTER BLOCK	1
5	CVA00184	GREASE CARTRIDGE	1
6	CHY00208	MIDDLE DOOR BLOCK	1
7	CHY00207	TOP DOOR BLOCK DS	1
8	CHY00206	TOP DOOR BLOCK NDS	1
9	CHY00212	OIL RESERVOIR	1
10	CHY00204	BOTTOM DOOR BLOCK NDS	1
11	CHY00205	BOTTOM DOOR BLOCK DS	1
12	CFA00549	6LL FITTING STRAIGHT	0
13	CFA00543	6LL FITTING ELBOW	0
14	CFA00681	6LL UNION (COMPLETE)	0
15	CFA00682	COMPRESSION NUT	0
16	CFA00544	6LL COUPLING NUT	0
17	CFA00648	CHECK VALVE	0
18	CFA00683	BRASS OLIVE	0
19	CFA00545	STEEL OLIVE	0
20	CHY02323	HOSE STUD ELBOW	0
21	CHY02324	HOSE STUD STRAIGHT	0
22	CHY02325	THREADED SLEEVE	0

No.	Part No	Description	Qty
-----	---------	-------------	-----

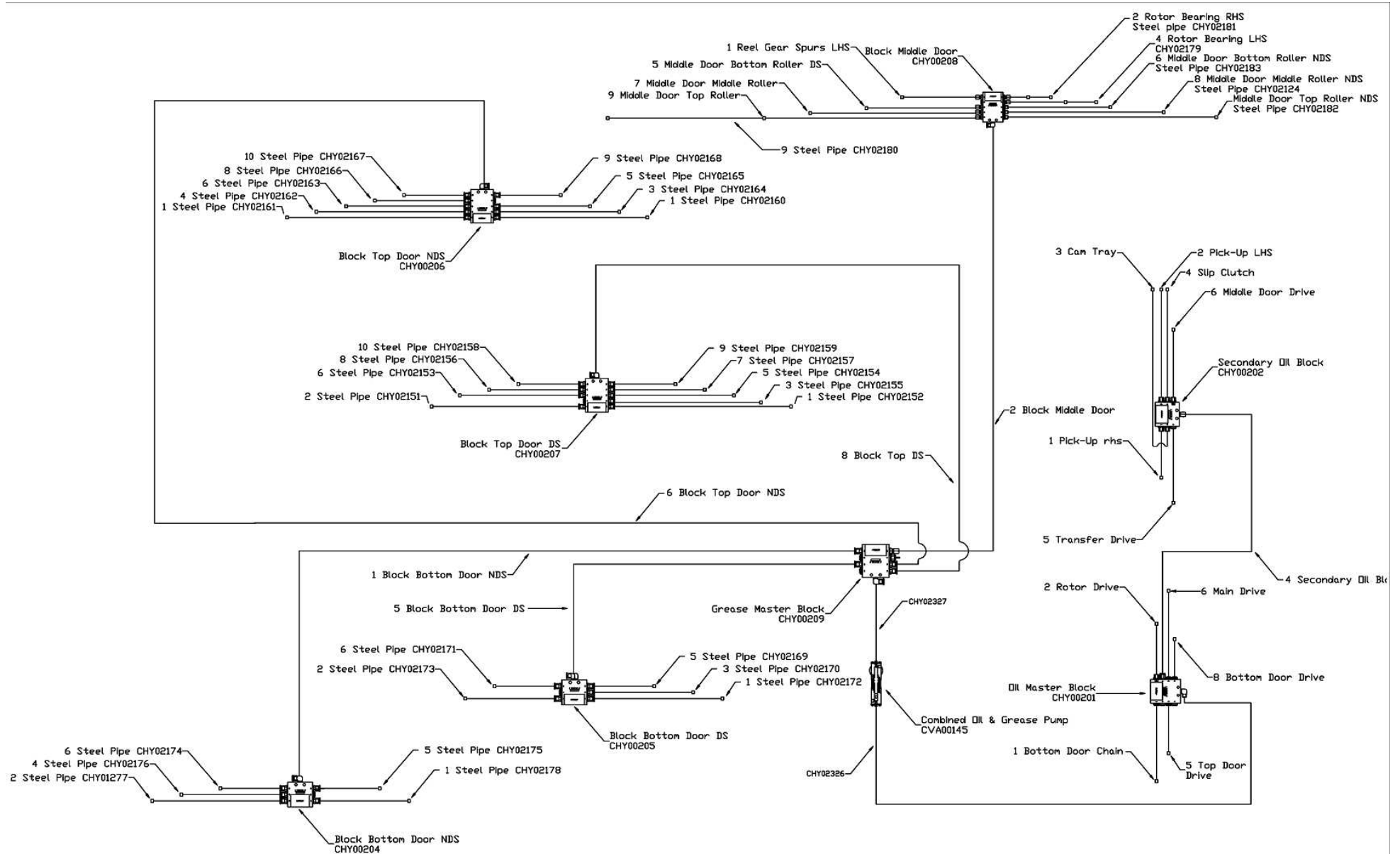




No.	Part No	Description	Qty
1	CVA00145	COMBINED GREASE AND OIL PUMP	1
2	CVA00172	VALVE CHECK 1/8" - M6LL BODY	1
3	CHY00015	WASHER DOWTY 1/4"	7
4	CHY02010	ADAPTOR 1/4" BSP M/M	3
5	CHY02018	ADAPTOR 1/4" M/F 90DEG	1
6	CVA03111	VALVE NON-RET 1/4" 0 BAR	1
7	CHY02328	QUICK RELEASE 1/4" MALE	1
8	CHY00195	WASHER DOWTY 1/8"	2
9	CHY00198	1/8" TO 12X1MM M-M BSP/METRIC	2
10	CFA00597	SETSCREW M8X16 BUTTON HEAD Z/P	2
11	CVA00184	GREASE GUN CATRAGE HOUSING	1
12	CVA03102	VALVE NON RET 1/4" 0.5 BAR	1
13	CMH00941	CAP MACHINED 1/4" - 1/8"	1
14	CFA00543	6MM X 1/8" 90° GREASE FITTING	1
15	CHY00213	OIL RESERVOIR	1
16	CPL00079	FILTER OIL RESERVOIR	1
17	CPL00077	LID OIL RESERVOIR	1
18	CPL00078	CAP OIL RESERVOIR (BOTTOM)	1
19	CHY02330	ST SUCTION STRAINER	1
20	CHY00053	WASHER DOWTY 1/2"	1
21	CHY02329	OIL HOSE RESERVOIR - PUMP	1
22	CHY00015	WASHER DOWTY 1/4"	1
23	CFA00506	SETSCREW M8X20 CUPHEAD SQ ZP	2
24	CFA00147	WASHER FLAT 8MM Z/P	4

No.	Part No	Description	Qty
-----	---------	-------------	-----

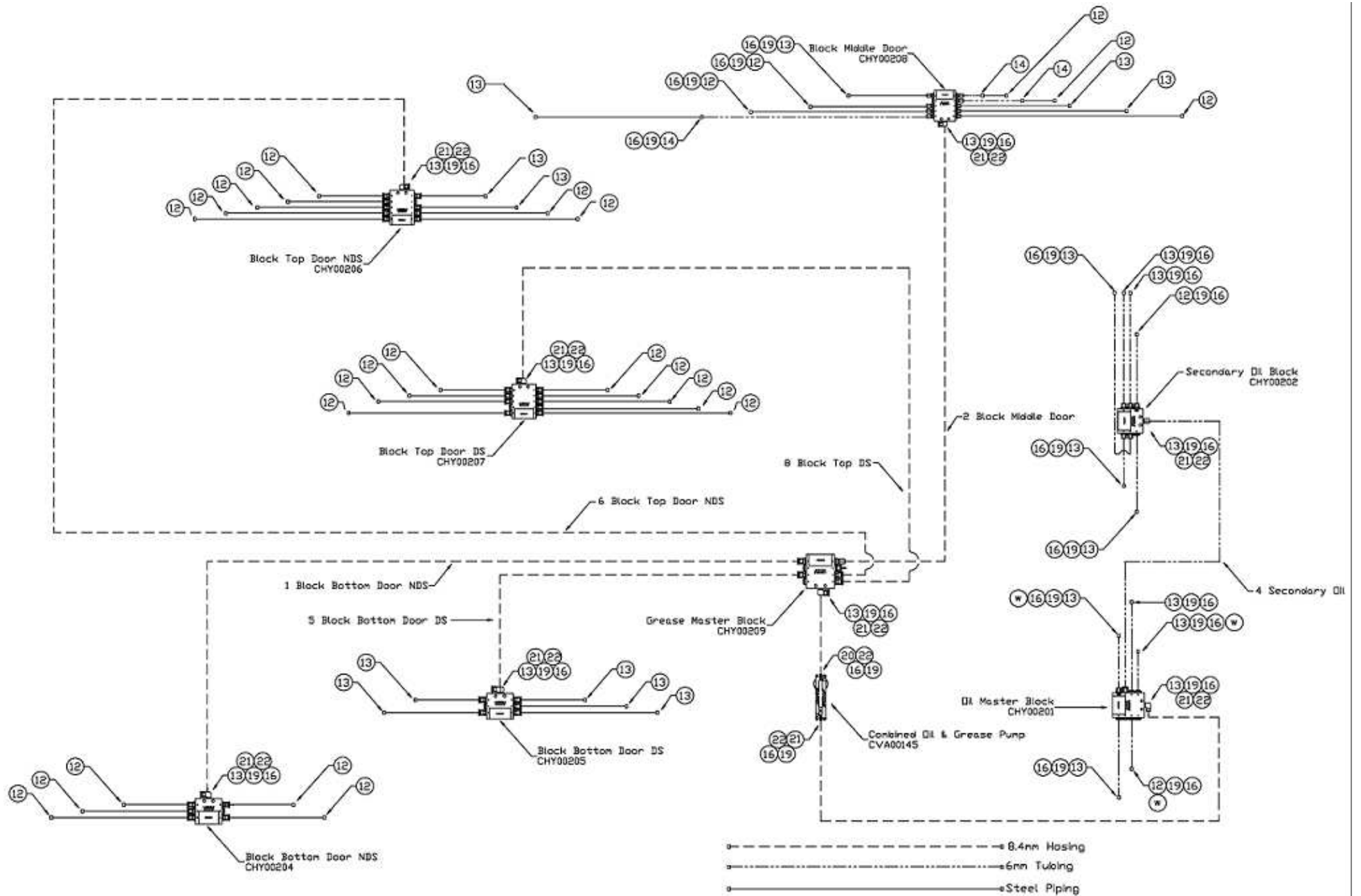
# Oil & Grease systems 3 (122)



No.	Part No	Description	Qty
		CHY00201 OIL MASTER BLOCK	0
Ports	PartNo	Description	0
1,2,4,	CFA00682	COMPRESSION NUT	6
	CFA00683	BRASS OLIVE	6
		CHY00202 SECONDARY OIL BLOCK	0
Ports	PartNo	Description	0
1-5 &	CFA00682	COMPRESSION NUT	6
	CFA00684	BRASS OLIVE	6
		CHY00209 GREASE MASTER BLOCK	0
Ports	PartNo	Description	0
1,2,5,	CFA00648	CHECK VALVE	5
	CFA00545	STEEL OLIVE	5
	CFA00544	COUPLING NUT	5
	CHY02324	HOSE STUD STRAIGHT	5
	CHY02325	THREADED SLEEVE	5
		CHY00208 BLOCK MIDDLE DOOR	0
Ports	PartNo	Description	0
1&2, 4	CFA00648	CHECK VALVE	9
	CFA00545	STEEL OLIVE	9
	CFA00544	COUPLING NUT	9
		CHY00207 BLOCK TOP DOOR DS	0
Ports	PartNo	Description	0
1-3 &	CFA00648	CHECK VALVE	9
	CFA00545	STEEL OLIVE	9
	CFA00544	COUPLING NUT	9
		CHY00206 BLOCK TOP DOOR NDS	0
Ports	PartNo	Description	0
1-6 &	CFA00648	CHECK VALVE	9
	CFA00545	STEEL OLIVE	9
	CFA00544	COUPLING NUT	9
		CHY00205 BLOCK BOTTOM DOOR DS	0
Ports	PartNo	Description	0
1,2,3,	CFA00648	CHECK VALVE	5
	CFA00545	STEEL OLIVE	5
	CFA00544	COUPLING NUT	5
		CHY00204 BLOCK BOTTOM DOOR NDS	0
Ports	PartNo	Description	0
1,2,4,	CFA00648	CHECK VALVE	5
	CFA00545	STEEL OLIVE	5
	CFA00544	COUPLING NUT	5

No.	Part No	Description	Qty
-----	---------	-------------	-----

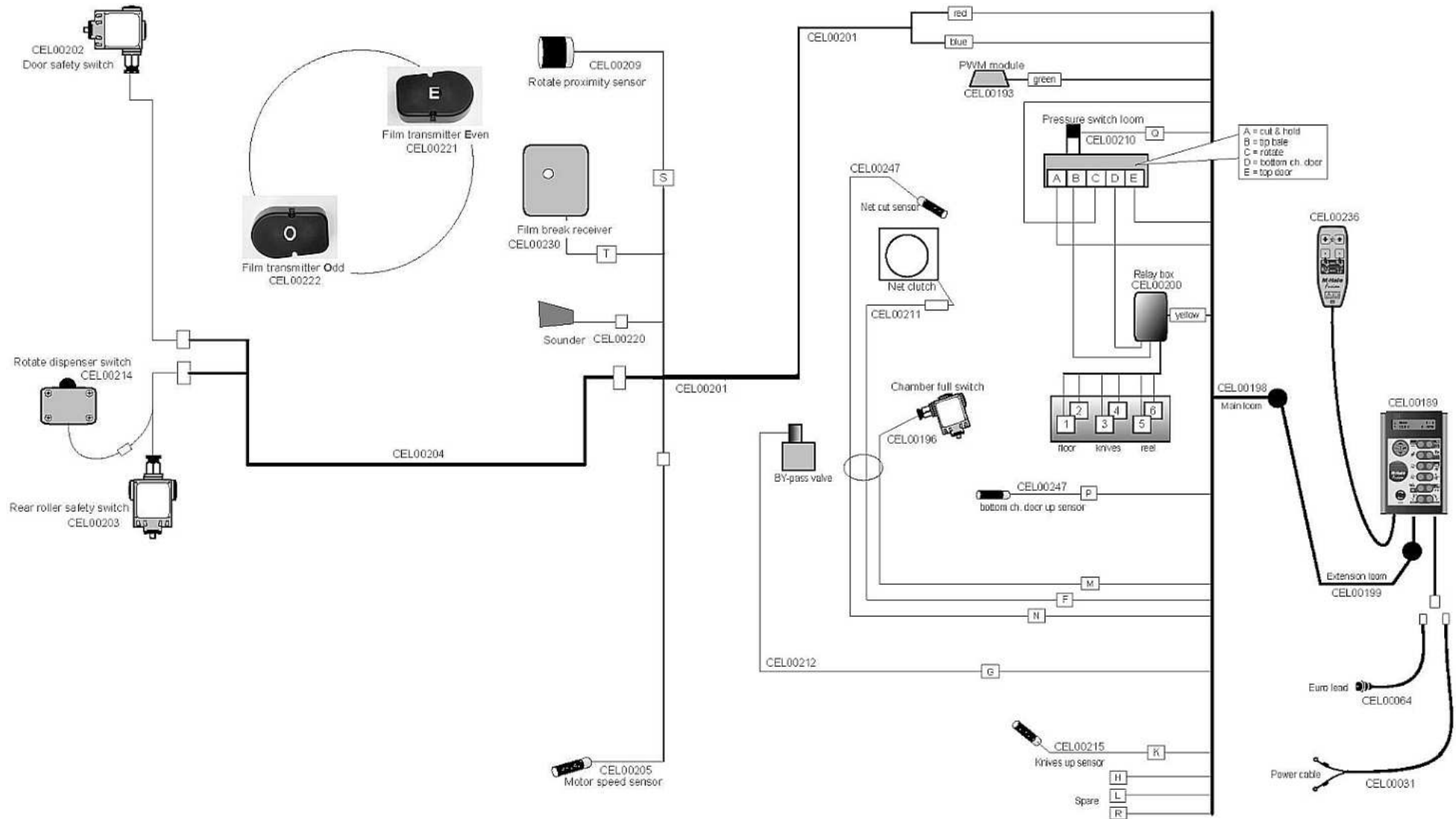
# Oil & Grease systems 4 (123)



No.	Part No	Description	Qty
12	CFA00549	6LL FITTING STRAIGHT	32
13	CFA00543	6LL FITTING ELBOW	24
14	CFA00681	6LL UNION (COMPLETE)	3
16	CFA00544	6LL COUPLING NUT	25
19	CFA00545	STEEL OLIVE	25
20	CHY02323	HOSE STUD ELBOW	1
21	CHY02324	HOSE STUD STRAIGHT	9
22	CHY02325	THREADED SLEEVE	10

No.	Part No	Description	Qty
-----	---------	-------------	-----

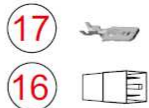
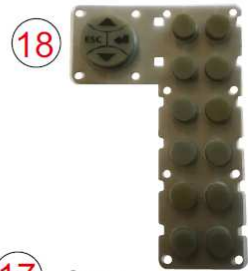
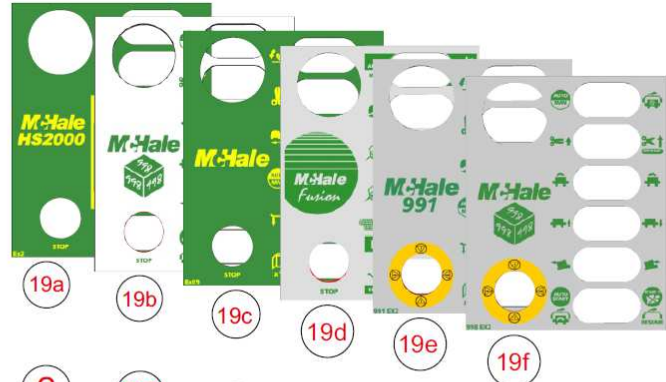
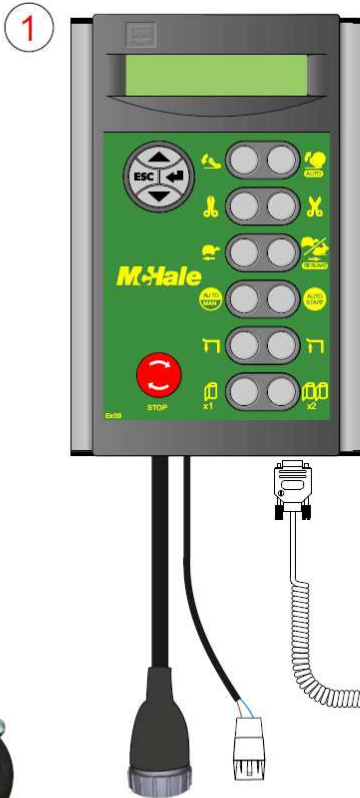
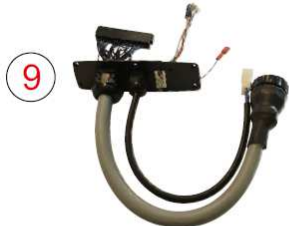
# Electrical control (565)



No.	Part No	Description	Qty
1	CEL00031	LOOM POWER ELECTRONIC MON	0
2	CEL00064	LOOM COBO WHITE CON LEAD	0
3	CEL00189	CTRL EXPERT FUSION	0
4	CEL00193	MODULE CONSTANT CURRENT	0
5	CEL00196	CHAMBER SWITCH ASSY BALER	0
<i>REPLACED BY PROXIMITY SENSOR KIT UWP00034</i>			
6	CEL00198	LOOM BALER MAIN VALVE	0
7	CEL00199	LOOM BALER EXT ARMoured	0
8	CEL00200	RELAY BOX BALER	0
9	CEL00201	LOOM VALVE TO REAR BALER	0
10	CEL00202	SWITCH ASSY DOOR SAFETY BALER	0
11	CEL00203	SWITCH ASSY REAR ROLLER BALER	0
12	CEL00204	LOOM TRANSVERSE BALER CHASSIS	0
13	CEL00205	SENSOR ASSY MOTOR SPEED BALER	0
<i>THIS IS A STANDARD McHale REED SENSOR MEANING IT IS INTERCHANGEABLE WITH OTHER SUCH SENSORS AND ONL</i>			
14	CEL00209	SENSOR ASSY 30MM BALER	0
15	CEL00210	LOOM PRESSURE SWITCH BALER	0
16	CEL00211	LOOM CLUTCH NET UNIT	0
17	CEL00212	LOOM BY PASS VALVE BALER	0
18	CEL00672	30MM INDEX BUTTON KIT SPARES KIT [REPLACES CEL00214]	0
<i>[REPLACES CEL00214]</i>			
19	CEL00215	SENSOR ASSY KNIFE ANGLE BALER	0
20	CEL00220	WARNING BUZZER	0
21	CEL00221	TRANSMITTER EVEN/GEAR COVER	0
22	CEL00222	TRANSMITTER ODD/GEAR COVER	0
23	CEL00230	RECEIVER 433 COMPLETE ASY	0
24	CEL00236	SWITCH EXTERNAL CONTROL FUSION	0
25	CEL00247	SENSOR CABLE 2250MM	0
<i>THIS IS A STANDARD McHale REED SENSOR MEANING IT IS INTERCHANGEABLE WITH OTHER SUCH SENSORS AND ONL</i>			

No.	Part No	Description	Qty
-----	---------	-------------	-----

# Expert control unit (1074)

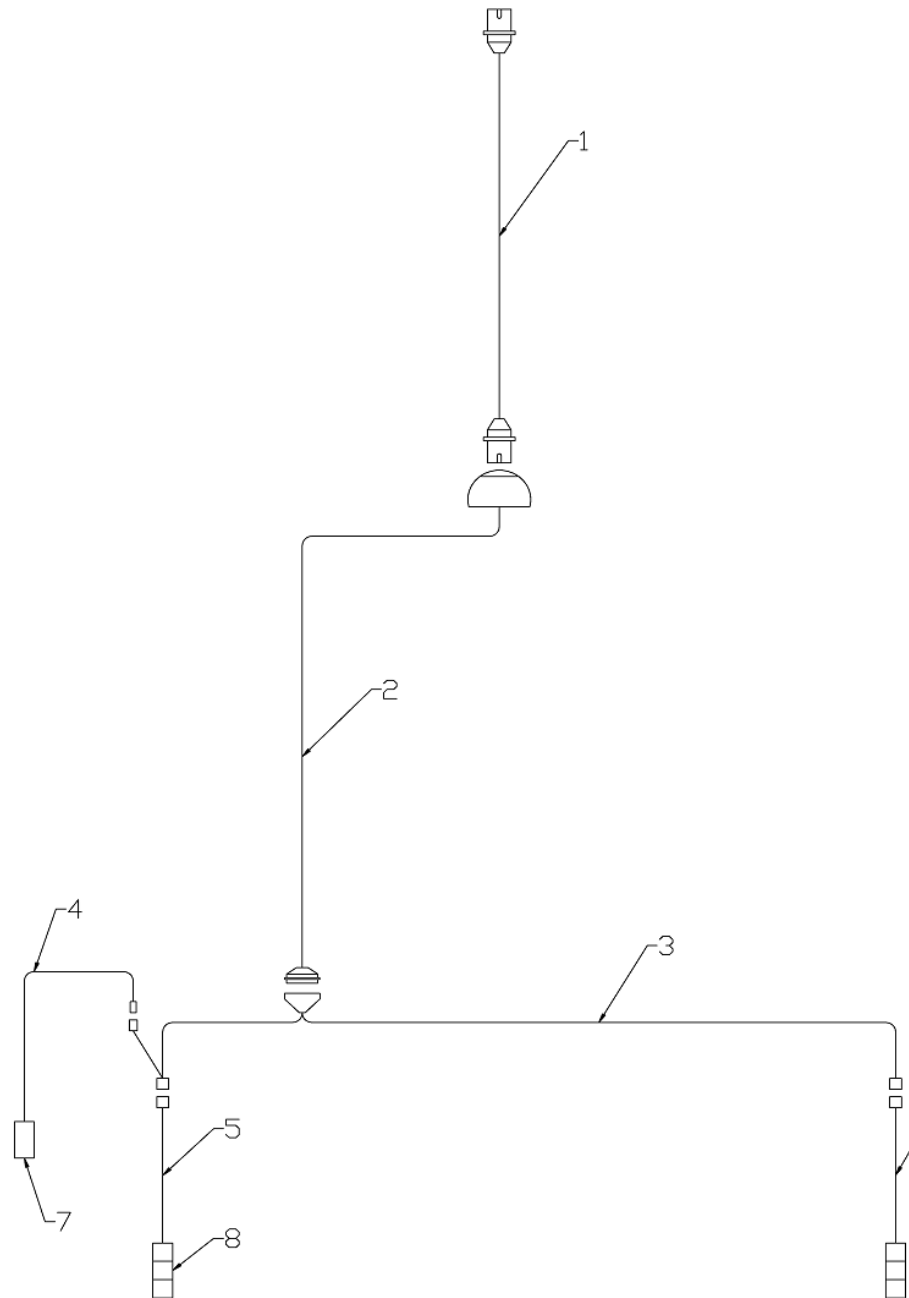




No.	Part No	Description	Qty
1	CEL00071	CTRL EXPERT 991	1
1	CEL00189	CTRL EXPERT FUSION 1	1
1	CEL00147	CTRL EXPERT HS2000	1
1	CEL00168	EXPERT CONTROL UNIT	1
1	CEL00153	CTRL EXPERT 991 RECON	1
1	CEL00253	CTRL EXPERT FUSION 1 RECON	1
1	CEL00185	CTRL EXPERT HS2000 RECON	1
1	CEL00645	CTRL EXPERT 998 RECON	1
2	CEL00836	REMOTE HAND CONTROLLER 991/995	1
3	CEL00288	EXPERT CONTROL BOX SCREEN	1
4	CEL00321	SCREEN PROTECTOR EXPERT	1
5	CEL00326	BATTERY EXPERT/EXPERT PLUS	1
6	CEL00365	CTRL UNIT CONNECTOR LOCK RING	1
7	CEL00670	CONTROL UNIT STOP SWITCH	1
8	CEL00671	STOP SWITCH CONTACT BLOCK - FOR CEL00670	1
9	CEL00371	EXPERT CABLE+PLATE 991/HS/998	1
9	CEL00372	EXPERT CABLE + PLATE FUSION1	1
10	CEL00064	EURO POWER LEAD	1
11	CEL00010	EURO SOCKET TO BATT POWER LEAD	1
12	CEL00254	RDS EXPERT UPLOAD KIT	1
13	CEL00031	POWER LEAD	1
14	CPL00007	VACUUM PAD FLAT BACK	1
15	KST00070	CONTROL UNIT MOUNTING BRACKETS	1
16	CEL00098	CON HSG TAB 2 WAY AMP 180924-0	1
17	CEL00027	TERM CRIMP TAB AMP NO 42565-2	1
18	CEL00381	EXPERT KEYPAD MEMBRANE	1
19a	CEL00341	OVERLAY EXPERT HS2000	1
19b	CEL00340	OVERLAY EXPERT 998	1
19c	CEL00339	OVERLAY EXPERT 991	1
19d	CEL00342	OVERLAY EXPERT FUSION	1
19e	CEL01615	OVERLAY EXPERT 2 991	1
19f	CEL01616	OVERLAY EXPERT 2 998	1
20	CEL00315	PLUG 9 WAY D-TYPE (FARNELL: 108-4672 (10 PACK))	1
21	CEL00122	CON 9 WAY PLUG MALE	1
22	CEL00316	BACKSHELL 9 WAY D-TYPE	1
23	CEL00324	BUZZER EXPERT	1
24	CEL00386	FUSION EXPERT EXTERNAL BUZZER	1
25	CEL00013	REMOTE HAND PIECE	1
26	CEL00012	REMOTE RECEIVER	1
27	CEL00665	RADIO REMOTE RECEIVER	1
28	CEL00664	REMOTE HAND PIECE R/C	1

No.	Part No	Description	Qty
-----	---------	-------------	-----

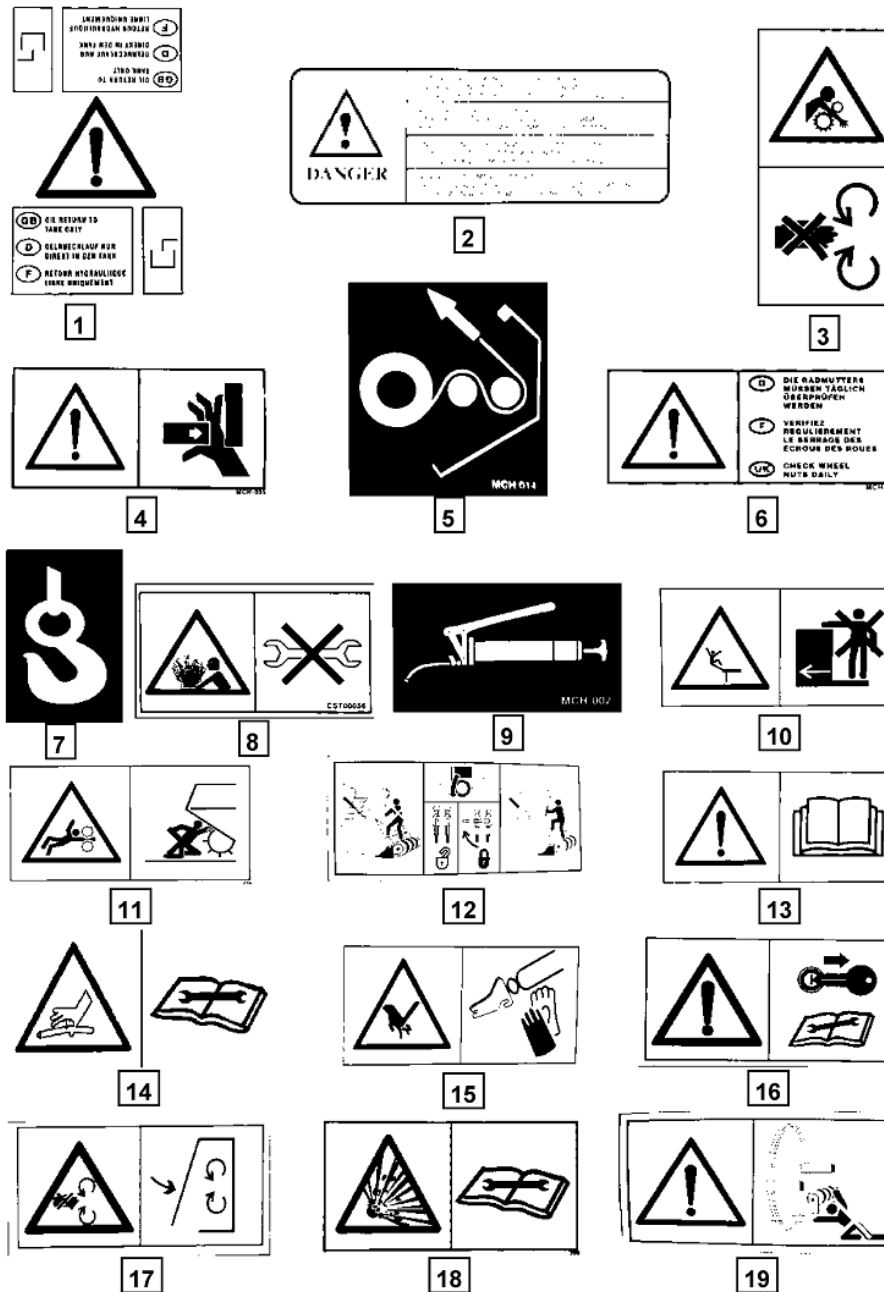
**Electrical lighting kit CEL00208 (129)**



No.	Part No	Description	Qty
1	CEL00218	3M M/M 7PIN CABLE PLUG	1
2	CEL00219	4.6M FUSION LIGHTHING LOOM	1
3	CEL00224	LIGHTING LOOM TO LEFT + RIGHT	1
4	CEL01529	LED WORK LAMP	1
<i>REPLACES CEL00227 (ALSO ORDER BRACKET CZD04649 FOR MACHINES PRIOR TO SERIAL No 662696)</i>			
5	CEL00225	REAR LEFT LAMP FUSION	1
6	CEL00226	REAR RIGHT LAMP FUSION	1
7	CEL00234	LIGHTING CLEAR LENS FUSION	1
8	CEL00233	LIGHTING REAR LENS FUSION	2

No.	Part No	Description	Qty
-----	---------	-------------	-----

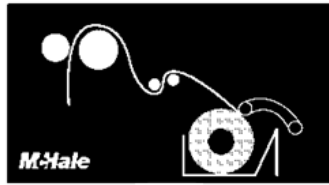
# Decals 1 (127)



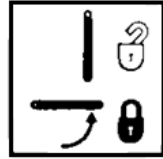
No.	Part No	Description	Qty
1	CST00006	DECAL FREEFLOW RET TO TANK	1
2	CST00014	DECALWARNING!ROTATING ELEMENTS	2
3	CST00017	DECAL ROTATING ELEMENTS 214	3
4	CST00019	DECAL CRUSHED HAND MCH-005	3
5	CST00020	DECAL CHECK WHEEL NUTS MCH-003	2
6	CST00022	DECAL FILM PATH 998 MCH-014	1
7	CST00032	DECAL LIFTING HOOK	4
8	CST00056	DECAL ACCUMULATOR WARNING	4
9	CST00060	DECAL GREASE GUN	12
10	CST00107	DECAL NO STANDING ON PLATFORM	1
11	CST00108	DECAL ROTATING PICK-UP REEL	3
12	CST00109	DECAL HYD LOCK TOP DOOR	2
13	CST00110	DECAL READ MANUAL (HORIZONTAL)	4
14	CST00111	DECAL HYD WARNING (HORIZONTAL)	3
15	CST00112	DECAL WARNING! SHARP KNIVES	4
16	CST00113	DECAL REMOVE KEY (HORIZONTAL)	4
17	CST00114	DECAL CLOSE PROTECTIVE COVERS	2
18	CST00115	DECAL ACCUMULATOR PRESSURE	2
19	CST00116	DECAL DANGER! ROTATING RING	2

No.	Part No	Description	Qty
-----	---------	-------------	-----

**Decals 2 (128)**



20



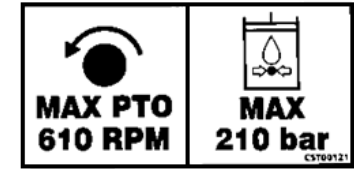
21



22

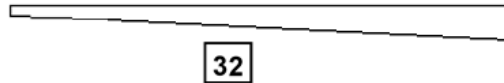


23

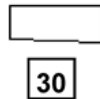


24

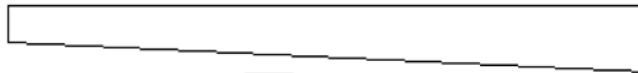
*McHale* 25



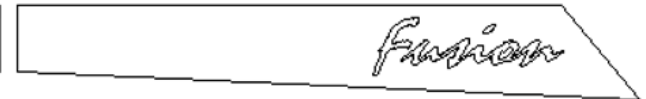
32



30



28

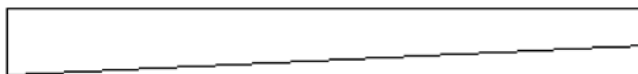


26

25 *McHale*



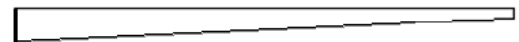
27



29



31



33

No.	Part No	Description	Qty
20	CST00117	DECAL NET PATH	2
21	CST00118	DECAL KNIFE LOCK POSITION	1
22	CST00119	DECAL TYRE PRESSURE FUSION	2
23	CST00120	DECAL CRUSHED HAND (ABOVE)	1
24	CST00121	DECAL OIL PRESSURE/PTO RPM	1
25	CST00122	DECAL MCHALE REAR SIDE PANEL	1
26	CST00123	DECAL FUSION RIGHT FRONT	1
27	CST00124	DECAL FUSION LEFT FRONT	1
28	CST00125	DECAL FUSION RIGHT CENTER	1
29	CST00126	DECAL FUSION LEFT CENTER	1
30	CST00127	DECAL FUSION RIGHT SEP. PANEL	1
31	CST00128	DECAL FUSION LEFT SEP. PANEL	1
32	CST00129	DECAL FUSION RIGHT REAR	1
33	CST00130	DECAL FUSION LEFT REAR	1

No.	Part No	Description	Qty
-----	---------	-------------	-----