

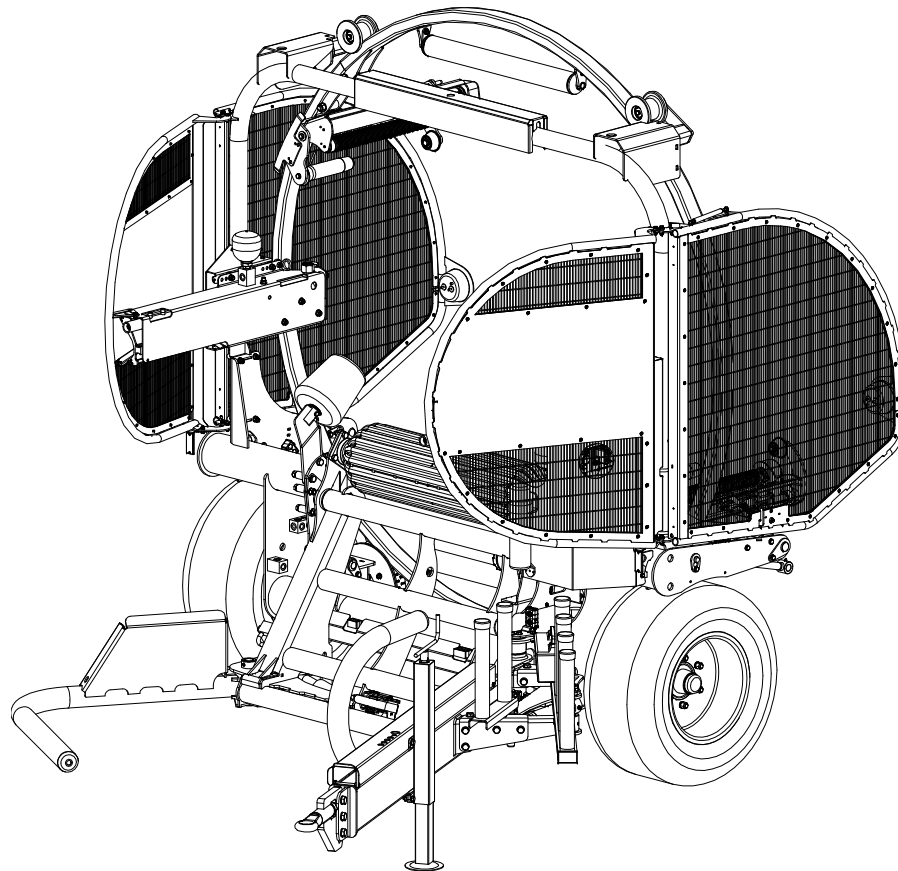
# McHale



QUALITY

I.S. EN ISO 9001:2015

NSAI Certified



## ORBITAL Spare Parts Book

McHale,  
Ballinrobe,  
Co. Mayo, Ireland.

Tel: +353 94 9520300

Fax: +353 94 9520356

Email: [sales@mchale.net](mailto:sales@mchale.net)

Website: [www.mchale.net](http://www.mchale.net)

---

This page is intentionally left blank

---

## Introduction

---

The **McHale ORBITAL** which you have purchased has been developed through years of constant research and development. Given proper care and attention the **ORBITAL** will give years of reliable and dependable performance. However it is important that the operators manual is read and fully understood to achieve this, **before** the machine is operated. As part of this philosophy it is vital to use only **genuine McHale** replacement parts, as these are manufactured to the same high standard as the original machine. These may be obtained through your **McHale** dealer.

If any part of this manual is not fully understood, please contact your **McHale** dealer who will be able to answer any questions or queries that you might have. It is important to quote the machine serial number when requiring spare parts or technical assistance. Space is provided below to record the machine details:

<b>Serial number:</b>	
<b>Year of manufacture:</b>	
<b>Date of delivery:</b>	

If you require further copies of this spare parts manual please  
quote part number CLT00913

**Note:** Parts described as left and right are done so according to the direction that the machine normally travels in.

**Note:** Due to a policy of continuous product development and improvement *McHale Engineering* reserve the right to alter machine specifications without prior notice.

---

# Contents

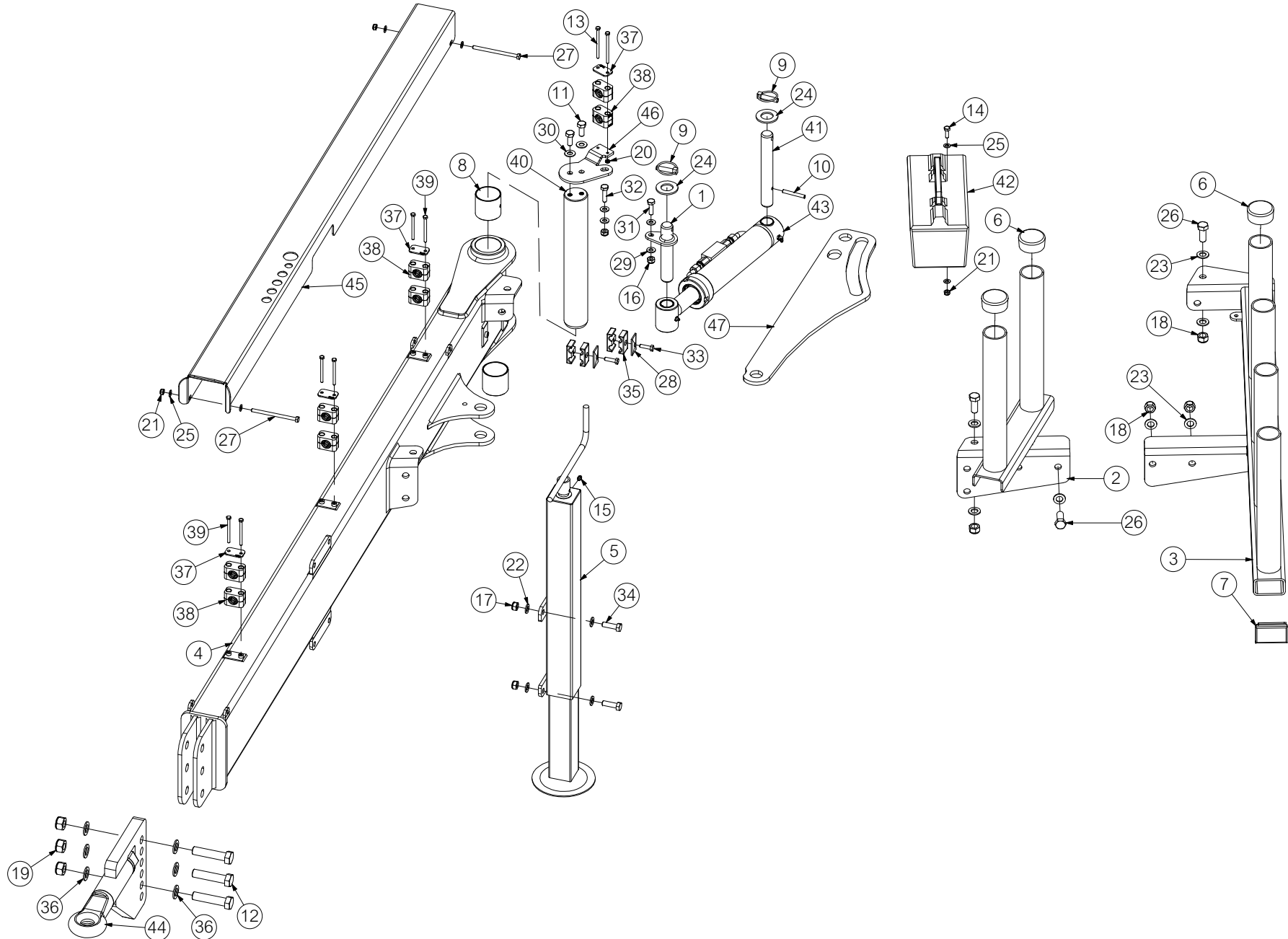
---

Section	Page	Document	Section	Page	Document
<b>Chassis</b>			Decals 1 (1070)	52	SPD01070
Drawbar & spare film roll holder (1001)	6	SPD01001	Decals 2 (1071)	54	SPD01071
Lift arm (1002)	8	SPD01002			
Side arm & bale sensor (1003)	10	SPD01003			
Chassis (1004)	12	SPD01004			
Rear wrapping cradle (1005)	14	SPD01005			
Angle sensors & valves (1006)	16	SPD01006			
Stub axle & wheel (1007)	18	SPD01007			
Mudguards (1136)	20	SPD01136			
Panels (1008)	22	SPD01008			
Dispenser ring (1009)	24	SPD01009			
Dispenser ring brake (1038)	26	SPD01038			
Dispenser 1 (1138)	28	SPD01138			
Dispenser 2 (1143)	30	SPD01143			
Cut & Hold LH (814)	32	SPD00814			
Cut & Hold RH (532)	34	SPD00532			
Side tip (1080)	36	SPD01080			
<b>Hydraulic &amp; Electrical</b>					
Hydraulic layout Orbital (1011)	38	SPD01011			
Hydraulic valve rotation & tip [From S-No 659744 (Fusion 3+) S-No 900118 (Vario)] (970)	40	SPD00970			
Electrical control Orbital [Up to Serial No 125775] (1013)	42	SPD01013			
Electrical control Orbital [From Serial No 125776] (1185)	44	SPD01185			
Expert plus control unit (1075)	46	SPD01075			
Electrical lighting (1039)	48	SPD01039			
Camera & monitor kit (1079)	50	SPD01079			
<b>Decals</b>					

---

This page is intentionally left blank

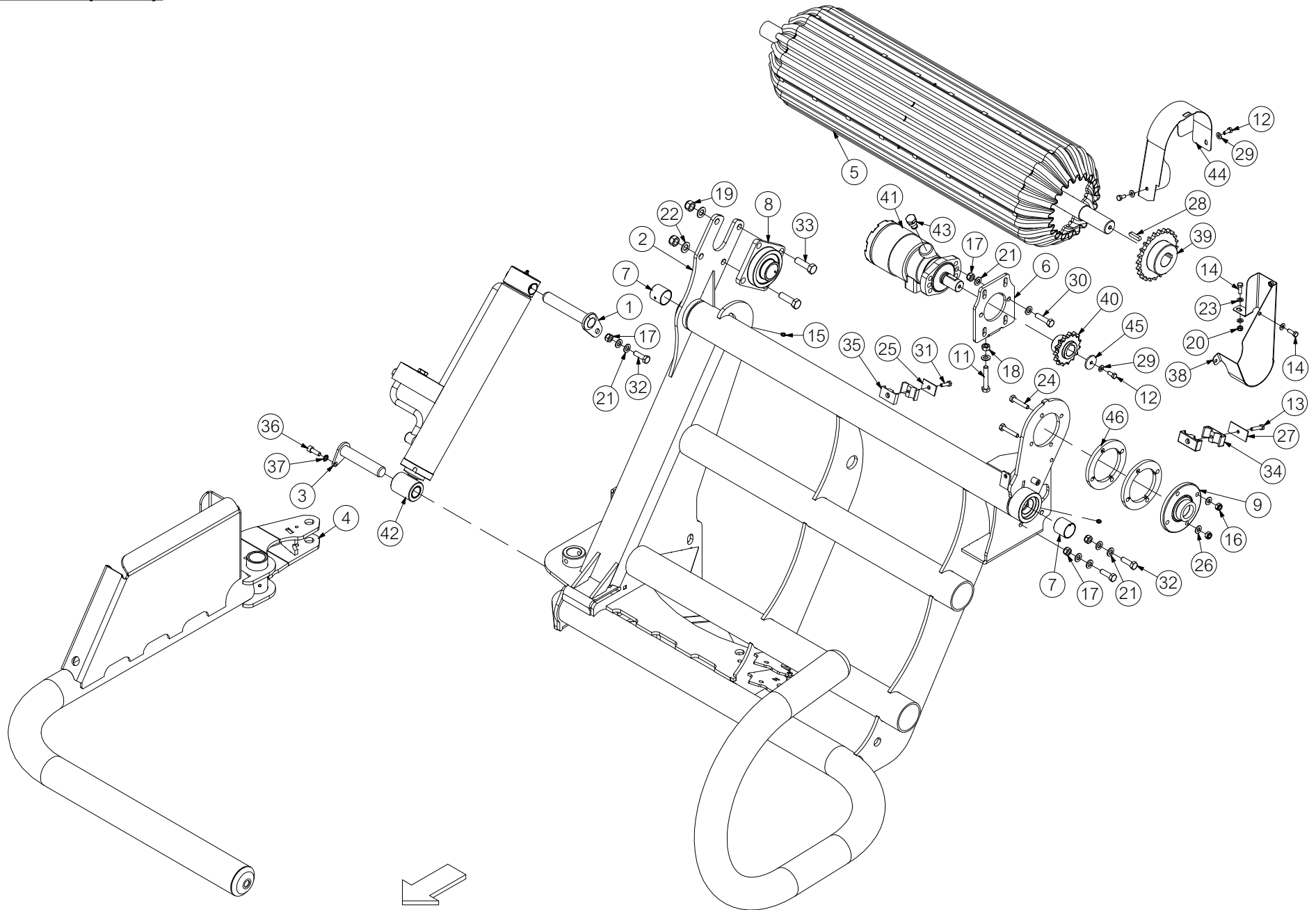
# **Drawbar & spare film roll holder (1001)**



No. Part No	Description	Qty
1 REPO0057	REPAIR KIT HS DRAWBAR PIN	1
<i>UP TO SERIAL No 125012</i>		
1 ACH02937	PIN 30X170 Z/P WELD ASSEMBLY	1
<i>FROM SERIAL No 125013</i>		
2 ACH02966	SPARE FILM HOLDER INNER WELD ASSEMBLY ORBITAL	1
3 ACH02967	SPARE FILM HOLDER OUTER WELD ASSEMBLY ORBITAL	1
4 ADB00173	DRAWBAR WELD ASSEMBLY ORBITAL	1
5 ACH03012	PARKING JACK ORB TSR TBER C460	1
<i>REPLACES ADB00175</i>		
6 CBC00007	CAP BLACK PLASTIC 2 3/8 OSF	6
7 CBC00021	CAP SQ PLASTIC INSERT 80 X 50	1
8 CBR00019	BEARING GLACIER PM 6060	2
9 CFA00005	LINCH PIN 10MM	2
10 CFA00011	ROLL PIN 8X60	1
11 CFA00032	SETSCREW M12X30 Z/P	2
12 CFA00053	BOLT M20X90 Z/P	3
13 CFA00059	BOLT M6X90 Z/P	2
14 CFA00102	SETSCREW M8X25 Z/P	2
15 CFA00118	GREASE NIPPLE M8X1.25 STRAIGHT	1
16 CFA00123	NUT M10 NYLOC	2
17 CFA00124	NUT M12 NYLOC	4
18 CFA00128	NUT M16 NYLOC	7
19 CFA00129	NUT M20 NYLOC	3
20 CFA00131	NUT M6 NYLOC	2
21 CFA00132	NUT M8 NYLOC Z/P	4
22 CFA00138	WASHER FLAT 12MM Z/P	8
23 CFA00140	WASHER FLAT 16MM Z/P	14
24 CFA00143	WASHER FLAT 30MM HD Z/P	2
25 CFA00147	WASHER FLAT 8MM Z/P	8
26 CFA00151	SETSCREW M16X40 Z/P	7
27 CFA00152	BOLT M8X120 Z/P	2
28 CFA00183	HOSE CLAMP COVER PLATE 14-18	2
29 CFA00201	WASHER FLAT 10 MM Z/P	4
30 CFA00250	WASHER SKM12	2
31 CFA00311	SETSCREW M10X35 Z/P	1
32 CFA00312	SETSCREW M10X40 Z/P	1
33 CFA00316	BOLT M8X30 Z/P	2
34 CFA00324	SETSCREW M12X40 Z/P	4
35 CFA00374	HOSE CLAMP 14MM (2 PER SET)	2
36 CFA00413	WASHER FLAT 20MM Z/P	6
37 CFA00980	HOSE CLAMP COVER PLATE SINGLE	4
38 CFA00981	HOSE CLAMP PAIR 25MM SINGLE	8
39 CFA02337	BOLT M6X75 Z/P	6
40 CMH00067	PIN 60X398&3XM12 THREADS	1
41 CMH02629	PIN 25X220 Z/P DRAWBAR RAM RING WRAPPER	1
<i>UP TO SERIAL No 125012</i>		
41 CMH02736	PIN 30X220 Z/P DRAWBAR RAM ORBITAL	1
<i>FROM SERIAL No 125013</i>		
42 CPL00222	TOOL BOX PLASTIC (SERKO)	1
43 CRA00077	RAM DRAWBAR PIVOT COMBI	1

No. Part No	Description	Qty
<i>UP TO SERIAL No 125012</i>		
43 CRA00788	RAM 60X40 DRAWBAR ORBITAL	1
<i>FROM SERIAL No 125013</i>		
43a CSE00077	SEAL KIT DRAW BAR PIVOT COMBI	1
<i>SEAL KIT FOR EITHER RAM CRA00077 OR CRA00788</i>		
44 CTP00056	HITCH EYE ASSY COMBI SWIVEL	1
<i>STANDARD MACHINE (SWIVEL) AS SHOWN</i>		
44 CTP00586	HITCH EYE NON SWIVEL ORBITAL	1
<i>OPTIONAL AUSTRIA &amp; GERMANY (NON SWIVEL)</i>		
44 CTP00535	HITCH ORBITAL USA	1
<i>NORTH AMERICA ONLY (CLEVIS)</i>		
44a CTP00042	CHAIN - SAFETY	1
<i>EURO MARKETS ONLY</i>		
44b CZH03504	10MM L PLATE F5 BREAKAWAY CHAIN	1
<i>EURO MARKETS ONLY (CONNECTING PLATE)</i>		
44c CZF08801	6MM L LOCK OUT PLATE HITCH EYE	1
<i>EURO MARKETS ONLY (LOCK OUT PLATE FOR PADLOCK)</i>		
44d CTP00582	PADLOCK 8MM SHACKLE	1
<i>EURO MARKETS ONLY (PADLOCK)</i>		
45 CZC04848	3MM L HOSE COVER PLATE DRAWBAR RING WRAPPER	1
46 CZF06917	6MM L PIN CAP & HOSE CLAMP BRACKET RING WRAPPER	1
47 CZH05299	10MM L DRAWBAR RAM STOP BAR ORBITAL	1

# Lift arm (1002)

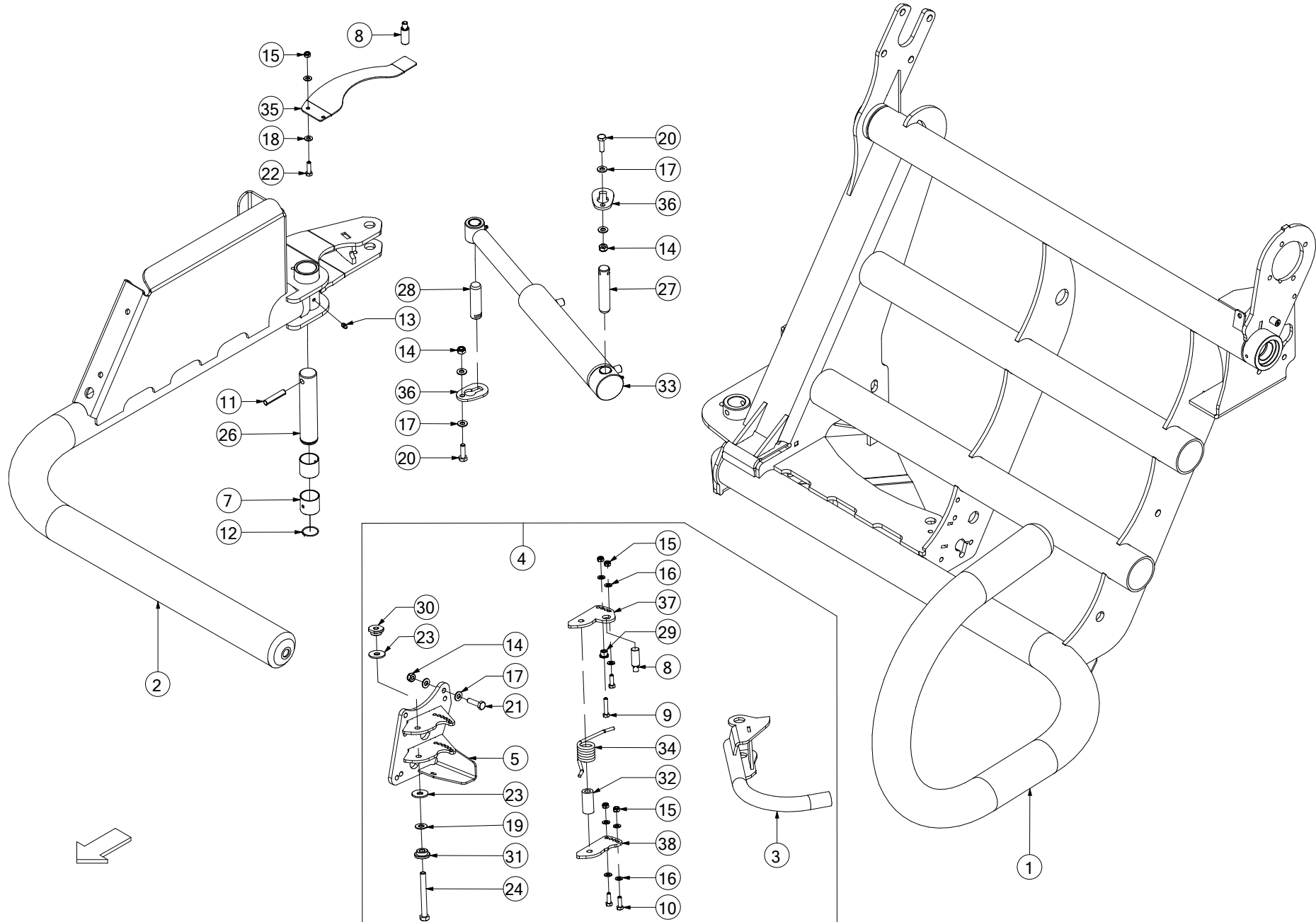




No.	Part No	Description	Qty
1	ABS00178	PIN PIVOT RAM TO BACK FRAME RS4	1
2	ALA00654	LIFT ARM WELD ASSEMBLY ORBITAL	1
3	ALA00673	LIFT ARM PIN 30X155 WELDED CAP	1
4	ALA00674	LIFT ARM SIDE ARM WELD ASSEMBLY ORBITAL	1
5	ARC00449	ROLLER RIBBED FRONT ORB VAR	1
<i>REPLACES ARC00375</i>			
6	ART00372	MOTOR MOUNT PLATE LIFT ARM RING WRAPPER	1
7	CBR00082	BEARING GLACIER PM 4040 SY	2
8	CBR00046	BEARING FLANGE UNIT SF 1 3/4	1
9	CBR00104	BEARING INA TME 40 GE 40 KPPB3	1
10	CCH00162	CHAIN ASA60H 48 PITCH+CON LINK	1
<i>NOT SHOWN</i>			
11	CFA00036	SETSCREW M12X70 Z/P	1
12	CFA00052	SETSCREW M8X20 Z/P	3
13	CFA00100	BOLT M8X40 Z/P	1
14	CFA00102	SETSCREW M8X25 Z/P	3
15	CFA00118	GREASE NIPPLE M8X1.25 STRAIGHT	2
16	CFA00123	NUT M10 NYLOC	4
17	CFA00124	NUT M12 NYLOC	7
18	CFA00125	NUT M12 Z/P	1
19	CFA00128	NUT M16 NYLOC	4
20	CFA00132	NUT M8 NYLOC Z/P	2
21	CFA00138	WASHER FLAT 12MM Z/P	15
22	CFA00140	WASHER FLAT 16MM Z/P	4
23	CFA00147	WASHER FLAT 8MM Z/P	4
24	CFA00156	BOLT M10X55	4
25	CFA00183	HOSE CLAMP COVER PLATE 14-18	1
26	CFA00201	WASHER FLAT 10 MM Z/P	4
27	CFA00204	HOSE CLAMP COVER PLATE 20-25	1
28	CFA00239	KEY 10X8X40	1
29	CFA00249	WASHER SKM8	4
30	CFA00272	BOLT M12X50 Z/P	2
31	CFA00316	BOLT M8X30 Z/P	1
32	CFA00324	SETSCREW M12X40 Z/P	5
33	CFA00349	SETSCREW M16X55 Z/P	4
34	CFA00365	22MM HOSE CLAMP	2
35	CFA00370	HOSE CLAMP 18MM (2 PER SET)	2
36	CFA00602	SETSCREW M10X30 SOC CAP Z/P	1
37	CFA00798	WASHER M10 NORDLOC	1
38	CGD00367	CHAIN GUARD BOTTOM WELD ASM RING WRAPPER	1
39	CMH00396	SPROCKET 3/4 PITCH 24T 40 DIA	1
40	CMH02698	SPROCKET 3/4 15T	1
41	CMT00349	MOTOR 750CC BACK ROLLER FUSION	1
41a	CSE00093	SEAL KIT WHITE RE SERIES MOTOR	1
42	CRA00742	RAM 80X60 LIFT ARM	1
42a	CSE00742	SEAL KIT FOR 80X60 RAM	1
43	CVA00410	VALVE CTE CHECK SAE10 0.5BAR	1
44	CZB04540	1.5MM L CHAIN GUARD PLATE	1
45	CZD02718	WASHER 8X40	1

No.	Part No	Description	Qty
46	CZH04857	10MM BEARING SPACER PLATE RING WRAPPER	2
<i>REPLACES 8MM BEARING SPACERS CZG04846</i>			

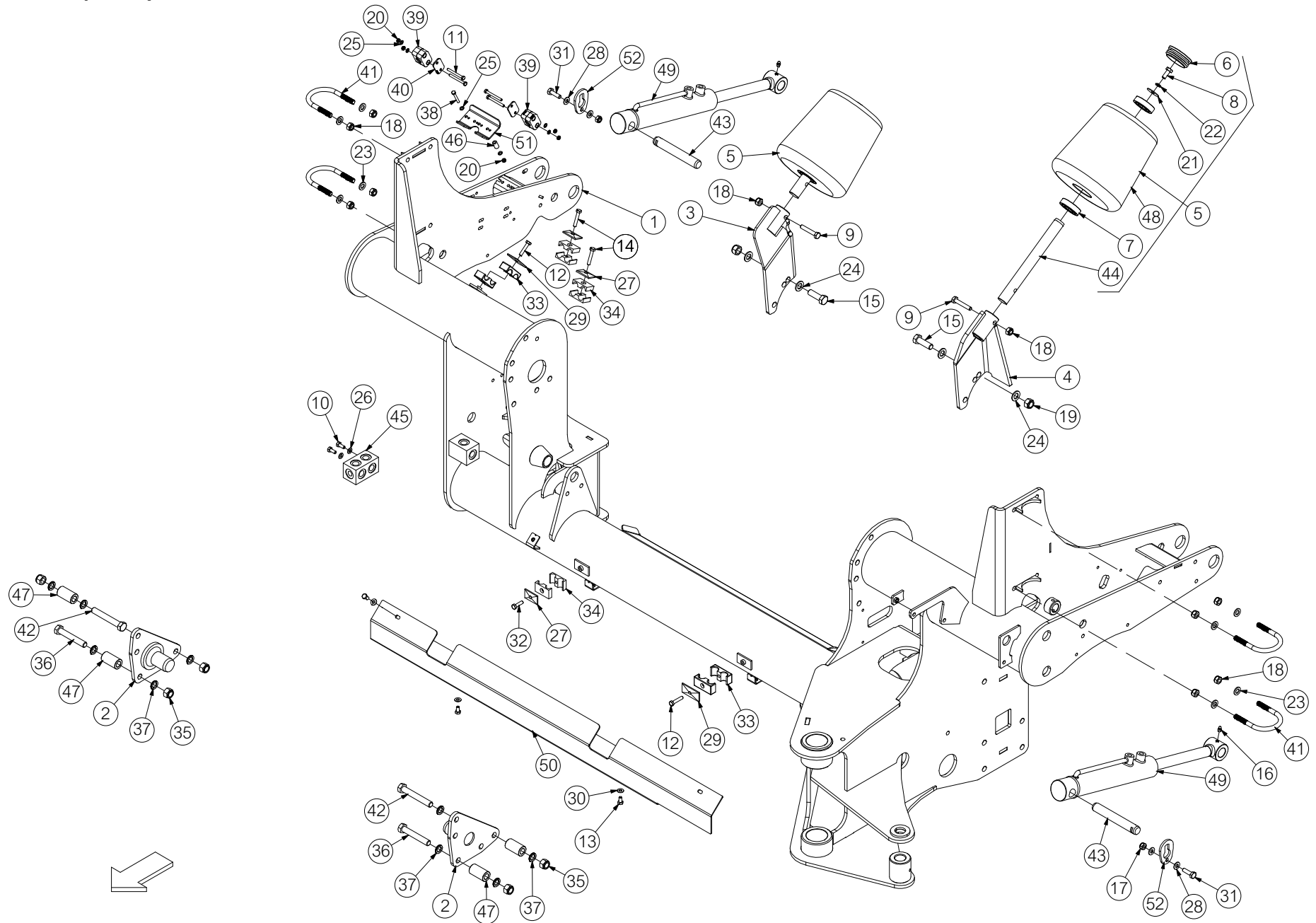
# Side arm & bale sensor (1003)



No.	Part No	Description	Qty
1	ALA00654	LIFT ARM WELD ASSEMBLY ORBITAL	1
2	ALA00674	LIFT ARM SIDE ARM WELD ASSEMBLY ORBITAL	1
3	ALA00915	PADDLE WELD ASSEMBLY LIFT ARM ORBITAL	1
<i>USED UP TO SERIAL No 125062</i>			
3	ALA00872	PADDLE WELD ASSEMBLY LIFT ARM ORBITAL	1
<i>USED FROM SERIAL No 125063 UP TO 125138</i>			
3	ALA00904	PADDLE PIPE WELD ASSEMBLY ORBITAL	1
<i>USED FROM SERIAL No 125139</i>			
4	ALA00905	PADDLE ASSEMBLY ORBITAL	1
<i>USED FROM SERIAL No 125139</i>			
5	ALA00889	PADDLE UPDATE WELD ASSEMBLY	1
<i>USED UP TO SERIAL No 125062</i>			
5	ALA00906	PADDLE BRACKET WELD ASSEMBLY ORBITAL	1
<i>USED FROM SERIAL No 125139</i>			
6	ART00372	MOTOR MOUNT PLATE LIFT ARM RING WRAPPER	1
7	CBR00082	BEARING GLACIER 4040 SY	2
8	CEL00767	SENSOR M18 E2A-M18KS08-M1-C1	2
9	CFA00100	BOLT M8X40 Z/P	1
10	CFA00102	SETSCREW M8X25 Z/P	3
11	CFA00110	ROLL PIN 12X60	1
12	CFA00112	SNAP RING 1 1/2"	1
13	CFA00118	GREASE NIPPLE M8X1.25 STRAIGHT	1
14	CFA00123	NUT M10 NYLOC	6
15	CFA00132	NUT M8 NYLOC Z/P	5
16	CFA00147	WASHER FLAT 8MM Z/P	7
17	CFA00201	WASHER FLAT 10 MM Z/P	12
18	CFA00249	WASHER SKM8	2
19	CFA00250	WASHER SKM12	1
20	CFA00311	SETSCREW M10X35 Z/P	2
21	CFA00312	SETSCREW M10X40 Z/P	4
22	CFA00491	SETSCREW M8X30 Z/P	1
23	CFA00718	WASHER FLAT 12MM DIN 9021 Z/P	2
24	CFA00034	BOLT M12X90 Z/P	1
<i>USED UP TO SERIAL No 125062</i>			
24	CFA02266	BOLT M12X110 ZP	1
<i>USED FROM SERIAL No 125139</i>			
25	CGD00367	CHAIN GUARD BOTTOM WELD ASSEMBLY LIFT ARM RING WRAPP	1
26	CMH00187	PIN 40X192X12MM	1
27	CMH00387	PIN 25X120 MILLED FOR CAP Z/P	1
28	CMH00421	PIN 25 X 90 MILLED FOR CAP	1
29	CMH00742	BUSH 8X20X13 ZINC PLATED	1
30	CMH02770	BUSH 35X13XM12 STEPPED 25	1
31	CMH02771	BUSH 35X13X12.5 STEPPED 25	1
32	CMH02843	BUSH 25.4X12.7X47 MOD	1
<i>USED UP TO SERIAL No 125062</i>			
32	CMH00835	BUSH C025.4X6.35X0050	1
<i>USED FROM SERIAL No 125063 UP TO 125138</i>			
32	CMH02840	BUSH 25.4X12.7X52	1
<i>USED FROM SERIAL No 125139</i>			
33	CRA00757	RAM 60X40 SIDE ARM LIFT ARM ORBITAL	1
33a	CSE00757	SEAL KIT FOR 60X40 RAM	1

No.	Part No	Description	Qty
34	CSG00270	SPRING TOR 6.35WDX27IDX6 COILS	1
35	CZC05294	3MM L SPRING STEEL SENSOR BRACKET	1
36	CZF00293	6MM L CAP SHORT FOR 25MM PINS	2
37	CZD05122	4MM L MOD PLATE	1
<i>USED UP TO SERIAL No 125062</i>			
37	CZF08301	6MM L PADDLE SENSOR PLATE	1
<i>USED FROM SERIAL No 125139</i>			
38	CZF08302	6MM L BOTTOM STOP PADDLE ORBITAL	1
<i>USED FROM SERIAL No 125139</i>			

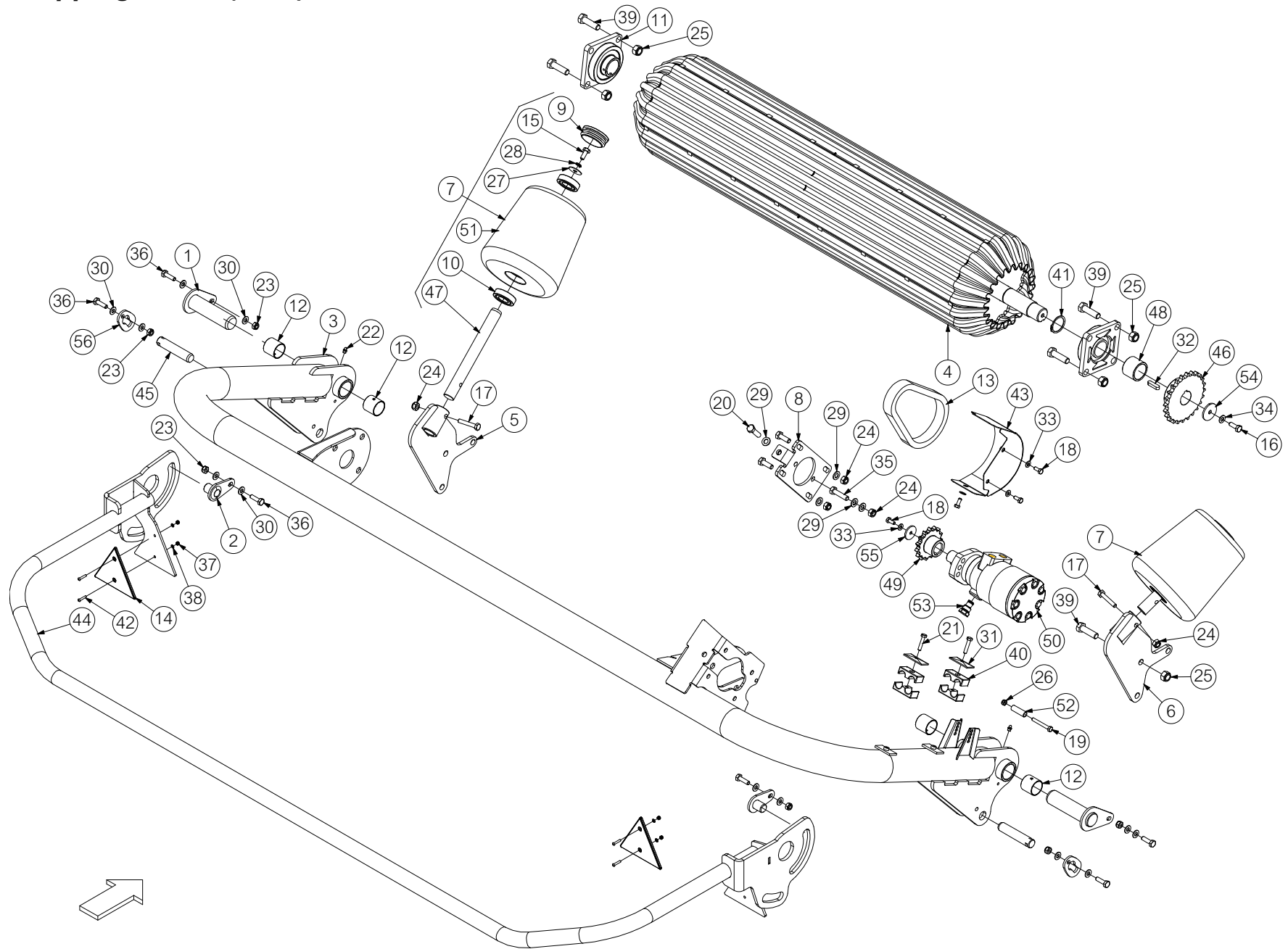
# Chassis (1004)



No.	Part No	Description	Qty
1	ACH02809	CHASSIS ORBITAL	1
2	ALA00652	LIFT ARM HINGE STUB ORBITAL	2
<i>UP TO SERIAL No 125288</i>			
2	ALA00972	LIFT ARM HINGE STUB ORBITAL	2
<i>FROM SERIAL No 125289</i>			
3	ARC00468	BOBBIN BRACKET RH FRONT WELD ORBITAL	1
4	ARC00469	BOBBIN BRACKET LH FRONT ORBITAL	1
5	ART00362	BOBBIN ASY BIG 30MM COMPLETE	2
6	CBC00008	CAP PLASTIC INSERT 75MM	2
7	CBR00024	BEARING 62062RS	4
8	CFA00024	SETSCREW M10X25 Z/P	2
9	CFA00027	BOLT M10X60 Z/P	2
10	CFA00052	SETSCREW M8X20 Z/P	2
11	CFA00054	SETSCREW M6X60 Z/P	4
12	CFA00100	BOLT M8X40 Z/P	2
13	CFA00101	SETSCREW M8X16 Z/P	4
14	CFA00106	BOLT M8X45 Z/P	2
15	CFA00116	BOLT M16X50 Z/P	2
16	CFA00118	GREASE NIPPLE M8X1.25 STRAIGHT	2
17	CFA00123	NUT M10 NYLOC	2
18	CFA00124	NUT M12 NYLOC	10
19	CFA00128	NUT M16 NYLOC	2
20	CFA00131	NUT M6 NYLOC	8
21	CFA00134	WASHER MUDWING M10X38MM OD	2
22	CFA00137	WASHER SPRING 10MM H.D Z/P	2
23	CFA00138	WASHER FLAT 12MM Z/P	8
24	CFA00140	WASHER FLAT 16MM Z/P	4
25	CFA00144	WASHER FLAT 6MM Z/P	12
26	CFA00147	WASHER FLAT 8MM Z/P	2
27	CFA00183	HOSE CLAMP COVER PLATE 14MM	3
28	CFA00201	WASHER FLAT 10 MM Z/P	4
29	CFA00204	HOSE CLAMP COVER PLATE 20-25	2
30	CFA00249	WASHER SKM8	4
31	CFA00311	SETSCREW M10X35 Z/P	2
32	CFA00316	BOLT M8X30 Z/P	1
33	CFA00365	22MM HOSE CLAMP	4
34	CFA00370	HOSE CLAMP 18MM (2 PER SET)	6
35	CFA00386	NUT M16X1.5 NYLOC 10 DIN 985	10
36	CFA00687	BOLT M16X100 FT 10.9	8
37	CFA00783	WASHER NL16 NORD-LOCK	20
38	CFA00801	SETSCREW M6X45	4
39	CFA00979	HOSE CLAMP PAIR 20MM SINGLE	2
40	CFA00980	HOSE CLAMP COVER PLATE SINGLE	2
41	CFA01004	U-BOLT M12X1.75X90X110 FOR 76.1 TUBE	4
42	CFA02213	BOLT M16X110 X10.9 FINE THREAD	2
43	CMH00403	PIN 25X170 Z/P MILLED FOR CAP	2
44	CMH01183	PIN 30X280 BOBBIN AXLE	2
45	CMH01717	ACCUMULATOR BLOCK REAR MOWER	1
46	CMH02745	BUSH 12X6.2X22 Z/P	4

No.	Part No	Description	Qty
47	CMH02834	BUSH 17X30X54	10
48	CPL00008	BOBBIN ASSEMBLY	2
<i>INCLUDES BEARINGS (2X ITEM 7)</i>			
49	CRA00558	RAM 50X30 ROLLER CRADLE FUSION	2
49a	CSE00623	SEAL KIT FOR RAM CRA00558	AR
50	CZC04849	3MM L HOSE COVER PLATE CHASSIS RING WRAPPER	1
51	CZC05030	3MM L PIPE GUIDE PLATE ORBITAL	1
52	CZF00293	6MM L CAP SHORT FOR 25MM PINS	2

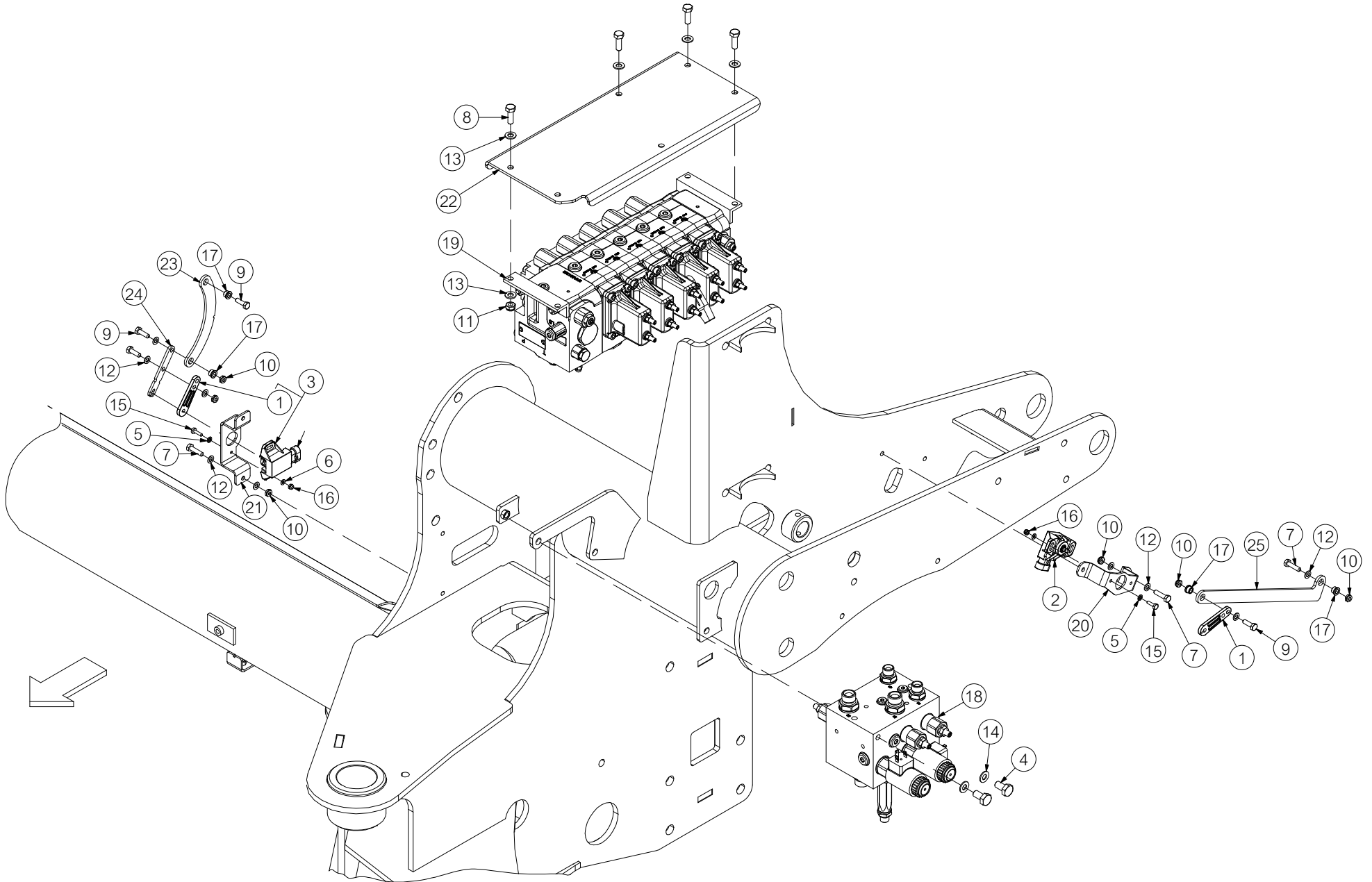
# Rear wrapping cradle (1005)



No.	Part No	Description	Qty
1	ACH00396	40MM PIN ASSY WRAPPER CRADLE	2
2	ACH02828	PIN 25X50 WELDED CAP RING WRAPPER CRADLE GUARD	2
3	ARC00359	TIP ARM WELD ASSEMBLY ORBITAL	1
<i>ALSO ORDER AGD00127 FOR MACHINES PRIOR TO SERIAL No 125655</i>			
4	ARC00448	ROLLER RIBBED REAR ORB VAR	1
<i>REPLACES ARC00374</i>			
5	ARC00395	BOBBIN BRACKET LH REAR ORBITAL	1
6	ARC00397	BOBBIN BRACKET RH REAR ORBITAL	1
7	ART00362	BOBBIN ASY BIG 30MM COMPLETE	2
8	ART00369	MOTOR MOUNT PLATE WITH WELD NUT RING WRAPPER	1
9	CBC00008	CAP PLASTIC INSERT 75MM	2
10	CBR00024	BEARING 62062RS	4
11	CBR00046	BEARING FLANGE UNIT SF1 3/4	2
12	CBR00082	BEARING GLACIER 4040 SY	4
13	CCH00196	CHAIN ASA60H 34 PITCH+CON LINK	1
14	CEL00077	REFLECTOR REAR TRIANGULAR RED	2
15	CFA00024	SETSCREW M10X25 Z/P	2
16	CFA00025	SETSCREW M10X30	1
17	CFA00027	BOLT M10X60 Z/P	2
18	CFA00052	SETSCREW M8X20 Z/P	4
19	CFA00056	BOLT M8X65 Z/P	1
20	CFA00065	SETSCREW M12X45 Z/P	1
21	CFA00100	BOLT M8X40 Z/P	2
22	CFA00118	GREASE NIPPLE M8X1.25 STRAIGHT	2
23	CFA00123	NUT M10 NYLOC	6
24	CFA00124	NUT M12 NYLOC	8
25	CFA00128	NUT M16 NYLOC	8
26	CFA00132	NUT M8 NYLOC Z/P	1
27	CFA00134	WASHER MUDWING M10X38MM OD	2
28	CFA00137	WASHER SPRING 10MM H.D Z/P	2
29	CFA00138	WASHER FLAT 12MM Z/P	9
30	CFA00201	WASHER FLAT 10 MM Z/P	12
31	CFA00204	HOSE CLAMP COVER PLATE 20-25	2
32	CFA00239	KEY 10X8X40	1
33	CFA00249	WASHER SKM8	4
34	CFA00251	WASHER SKM10	1
35	CFA00272	BOLT M12X50 Z/P	2
36	CFA00311	SETSCREW M10X35 Z/P	6
37	CFA00321	NUT M5 NYLOC	4
38	CFA00337	WASHER FLAT 5MM Z/P	4
39	CFA00349	SETSCREW M16X55 Z/P	8
40	CFA00365	22MM HOSE CLAMP	4
41	CFA00803	CIRCLIP 45 MM EXTERNAL	1
42	CFA00966	SETSCREW M5X25 BUTTON HEAD Z/P	4
43	CGD00357	CHAIN GUARD WELD ASSY REAR ROLLER RING WRAPPER	1
44	CGD00359	CRADLE STOP BAR WELD ASSEMBLY	1
<i>USED UP TO SERIAL No 125654</i>			
44	AGD00127	CRADLE STOP BAR WELD ASSEMBLY	1
<i>USED FROM SERIAL No 125655</i>			

No.	Part No	Description	Qty
45	CMH00387	PIN 25X120 MILLED FOR CAP Z/P	2
46	CMH00396	SPROCKET 3/4" PITCH 24T 40 DIA	1
47	CMH01183	PIN 30X280 BOBBIN AXLE	2
48	CMH01201	BUSH 45X55X41	1
49	CMH02698	SPROCKET 3/4" 15T	1
50	CMT00349	MOTOR 750CC BACK ROLLER FUSION	1
50a	CSE00093	SEAL KIT WHITE RE SERIES MOTOR	1
51	CPL00008	BOBBIN ASSEMBLY	2
<i>INCLUDES BEARINGS (2X ITEM 10)</i>			
52	CPL00232	TUBE 15X11X46 PEXOB15 6MTS LT	1
53	CVA00410	VALVE CTE CHECK SAE10 0.5BAR	1
54	CZD02479	4MM L WASHER 10.5X50X4 Z/P	1
55	CZD02718	WASHER 8X40	1
56	CZF00293	6MM L CAP SHORT FOR 25MM PINS	2

# Angle sensors & valves (1006)

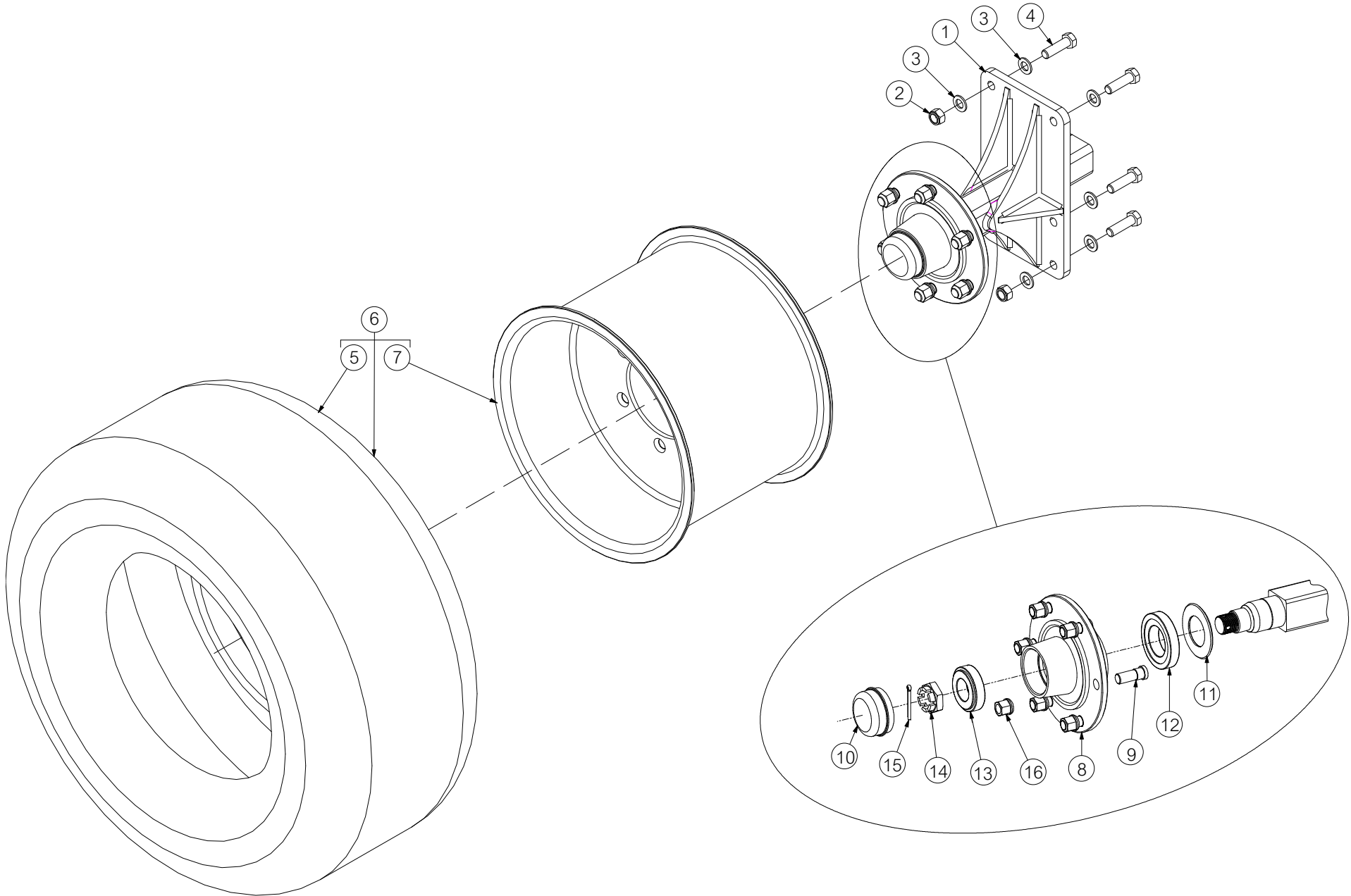




No.	Part No	Description	Qty
1	CEL00784	ANGLE SENSOR ARM ELOBAU 350210	2
3	CEL00833	ANGLE SENSOR + ARM ASSEMBLY ELOBAU	2
4	CFA00023	SETSCREW M10X20 Z/P	2
5	CFA00082	WASHER 4MM SHAKEPROOF	4
6	CFA00083	WASHER FLAT 4MM Z/P	4
7	CFA00098	SETSCREW M6X25 Z/P	5
8	CFA00102	SETSCREW M8X25 Z/P	6
9	CFA00115	SETSCREW M6X20 Z/P	4
10	CFA00131	NUT M6 NYLOC	11
11	CFA00132	NUT M8 NYLOC Z/P	6
12	CFA00144	WASHER FLAT 6MM Z/P	19
13	CFA00147	WASHER FLAT 8MM Z/P	12
14	CFA00249	WASHER SKM8	2
15	CFA00391	SETSCREW M4X16 Z/P	4
16	CFA00392	NUT M4 NYLOC	4
17	CMH01491	BUSH 6X12X7 ZP	4
18	CVA00758	VALVE ASY ROTATION TIP FUSION	1
<i>REPLACES CVA00416 WHICH CAN ALSO BE USED AS AN ALTERNATIVE</i>			
19	CVA00679	DPC130 5 BANK LS BOOST ORBITAL	1
20	CZC03614	3MM POT BRACKET PART	1
21	CZC04806	3MM L POT BRACKET RING WRAPPER	1
22	CZD04802	4MM L MAIN VALVE BRACKET RING WRAPPER	1
23	CZD04833	4MM L POT LINK BAR RING WRAPPER	1
24	CZD04834	4MM L POT LINK BAR RING WRAPPER	1
25	CZD04835	4MM L POT LINK BAR RING WRAPPER	1

No.	Part No	Description	Qty
-----	---------	-------------	-----

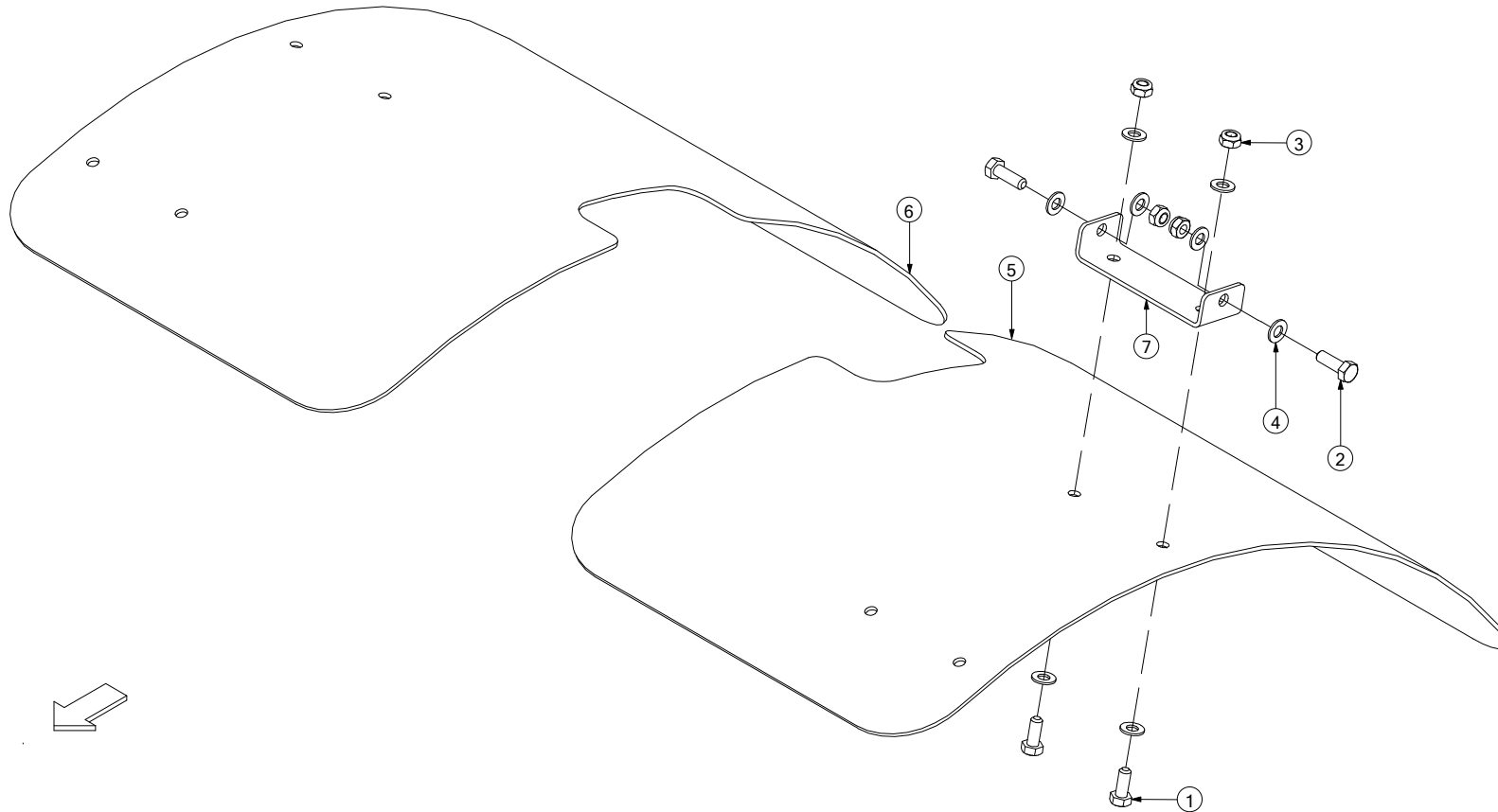
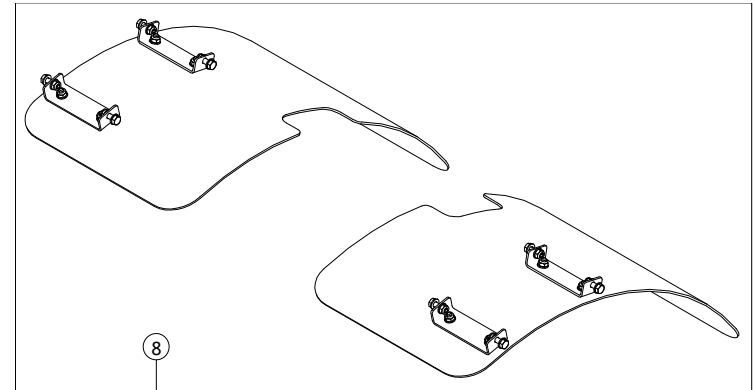
**Stub axle & wheel (1007)**



No.	Part No	Description	Qty
1	CAX00209	AXLE STUB ASSY HEAVY DUTY	1
<i>COMPLETE STUB AXLE ASSEMBLY (INCLUDES ITEMS 8 THROUGH 16) - REPLACES CAX00171</i>			
2	CFA00128	NUT M16 NYLOC	6
3	CFA00140	WASHER FLAT 16MM Z/P	12
4	CFA00315	BOLT M16X55	6
5	CWH00062	TYRE 380/55 R17 VERDESTEIN	1
<i>VREDESTEIN TYRE FOR WHEEL ASM CWH00268</i>			
6	CWH00268	WHEEL ASSY 380/55-17 VERDESTEIN FLO+	1
<i>STANDARD WHEEL ASM</i>			
7	CWH00269	WHEEL RIM 13.00X17 6 STUD 0 OFFSET	1
0	0	0	0
5	CWH00298	TYRE 480/45-17 FLO+ VREDESTEIN	1
<i>VREDESTEIN TYRE FOR WHEEL ASM CWH00270</i>			
6	CWH00270	WHEEL 480/45-17 FLO+ 6STUD -35OFFSET	1
<i>WIDE WHEEL OPTION</i>			
7	CWH00297	WHEEL RIM 16.00X17 OFFSET -35MM	1
<i>RIM FOR CWH00270</i>			
0	0	0	0
6	CWH00293	WHEEL ASM 15.0/55X17 BKT AS504	1
<i>TRACTOR GRIP WHEEL OPTION (AVAILABLE AS COMPLETE WHEEL ASM ONLY)</i>			
7	CWH00269	WHEEL RIM 13.00X17 6 STUD 0 OFFSET	1
0	0	0	0
8	CAX00034	WHEEL HUB 6 STUD (FAD)	1
9	CFA00235	WHEEL STUD M18X1.5 (FAD)	6
10	CAX00037	HUB CAP (FAD) 80MM OD	1
11	CSE00109	HUB SEAL 100 X 55 FAD	1
12	CBR00041	BEARING 3O211	1
13	CBR00095	BEARING 3O208A	1
14	CFA00394	NUT CASTLE 33 X 50	1
15	CFA00013	SPLIT PIN 5X50 Z/P	1
16	CFA00121	NUT WHEEL M18 6STUD AXLE	6

No.	Part No	Description	Qty
-----	---------	-------------	-----

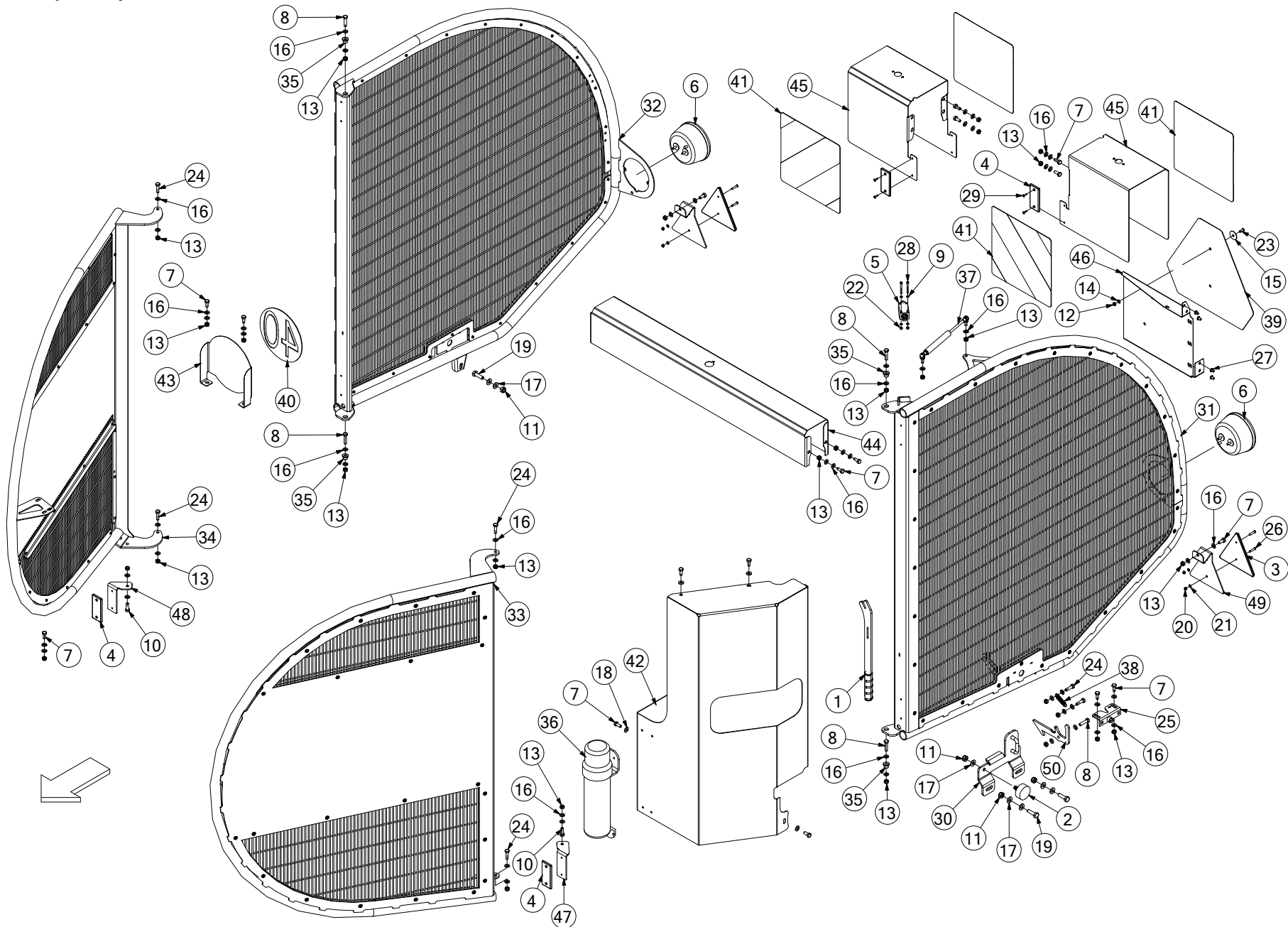
**Mudguards (1136)**



No.	Part No	Description	Qty
Item	Part Code	Description	Qty
1	CFA00052	SETSCREW M8X20 Z/P	8
2	CFA00102	SETSCREW M8X25 Z/P	8
3	CFA00132	NUT M8 NYLOC Z/P	16
4	CFA00147	WASHER FLAT 8MM Z/P	24
5	CZC00168	3MM L MUDFLAP LH ORBITAL	1
6	CZC00169	3MM L MUDFLAP RH ORBITAL	1
7	CZC05016	3MM L MUDGUARD BRACKET ORBITAL	4
8	KST00157	MUDGUARD KIT ORBITAL	1

No.	Part No	Description	Qty
-----	---------	-------------	-----

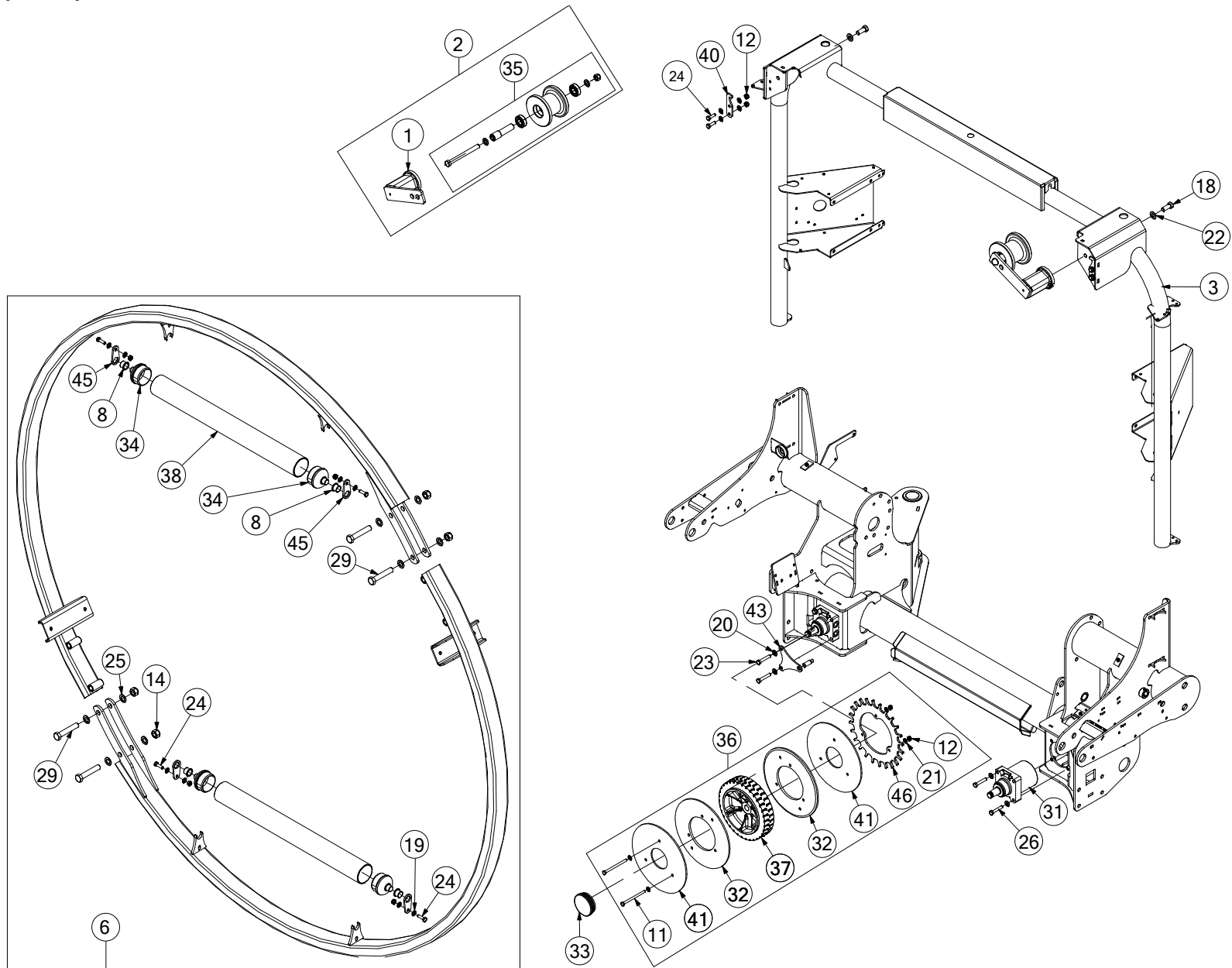
# Panels (1008)



No.	Part No	Description	Qty
1	ADP00326	DISPENSER LATCH HANDLE	1
2	CBE00002	BUFFER RUBBER 50X21 M10X28	1
3	CEL00077	REFLECTOR REAR TRIANGULAR RED	2
4	CEL00079	REFLECTOR FRONT RECTANGULAR	4
5	CEL01771	PANEL POSITION SWITCH	1
<i>REPLACES CEL00820</i>			
6	CEL01582	TAIL LIGHT LEFT LED ORBITAL	1
<i>LH SIDE (REPLACES CEL00831)</i>			
6	CEL01583	TAIL LIGHT RIGHT LED ORBITAL	1
<i>RH SIDE (REPLACES CEL00831)</i>			
7	CFA00052	SETSCREW M8X20 Z/P	24
8	CFA00055	BOLT M8X35 Z/P	5
9	CFA00083	WASHER FLAT 4MM Z/P	4
10	CFA00102	SETSCREW M8X25 Z/P	2
11	CFA00123	NUT M10 NYLOC	4
12	CFA00131	NUT M6 NYLOC	2
13	CFA00132	NUT M8 NYLOC Z/P	35
14	CFA00144	WASHER FLAT 6MM Z/P	2
15	CFA00145	WASHER MUDWING M6 32MM OD	2
16	CFA00147	WASHER FLAT 8MM Z/P	68
17	CFA00201	WASHER FLAT 10 MM Z/P	7
18	CFA00249	WASHER SKM8	4
19	CFA00311	SETSCREW M10X35 Z/P	3
20	CFA00321	NUT M5 NYLOC	4
21	CFA00337	WASHER FLAT 5MM Z/P	4
22	CFA00392	NUT M4 NYLOC	2
23	CFA00427	SETSCREW M6X16 BUTTON HEAD Z/P	2
24	CFA00491	SETSCREW M8X30 Z/P	6
25	CFA00518	CAMLOC BALER DOOR	1
26	CFA00966	SETSCREW M5X25 BUTTON HEAD Z/P	4
27	CFA01197	POP RIVET 6.4X10	4
28	CFA02277	SETSCREW M4X40 SOC CAP Z/P	2
29	CFA02339	POP RIVET ALU 4X14	8
30	CGD00370	DOOR LATCH WELD ASSEMBLY RING WRAPPER	1
31	CGD00384	PANEL REAR LH MESH ASSEMBLY ORBITAL	1
32	CGD00385	PANEL REAR RH MESH ASSEMBLY ORBITAL	1
33	CGD00406	PANEL FRONT LH MESH ASSEMBLY ORBITAL	1
34	CGD00407	PANEL FRONT RH MESH ASSEMBLY ORBITAL	1
35	CMH00742	BUSH 8X20X13 ZINC PLATED	4
36	CPL00221	MACHINE MANUAL HOLDER CIRCULAR	1
37	CRA00782	GAS STRUT 150/399	1
38	CSG00263	SPRING EXTENSION 1.63X11.5X57	1
39	CST00251	SLOW MOVING VEHICLE SIGN SMV AMERICA	1
<i>NORTH AMERICA ONLY</i>			
40	CST00660	DECAL 40KM SPEED LIMIT	1
41	CST00831	MARKER BOARD STICKER 282X282 LEFT	4
42	CZB04617	1.5MM L VALVE COVER ORBITAL	1
43	CZB04631	1.5MM L STICKER BRACKET SPEED ORBITAL	1
44	CZB04636	1.5MM L STICKER PLATE	1

No.	Part No	Description	Qty
45	CZB04699	1.5MM L REFLECTOR PLATE ORBITAL	2
46	CZB04732	1.5MM L NUMBER PLATE BRACKET	1
47	CZC05141	3MM L REFLECTOR BRACKET LH	1
48	CZC05142	3MM L REFLECTOR BRACKET RH	1
49	CZC05601	3MM L TRIANGLE REFLECTOR PLATE ORBITAL	2
50	CZF06916	6MM L LATCH HOOK PANEL RING WRAPPER	1

# Dispenser ring (1009)

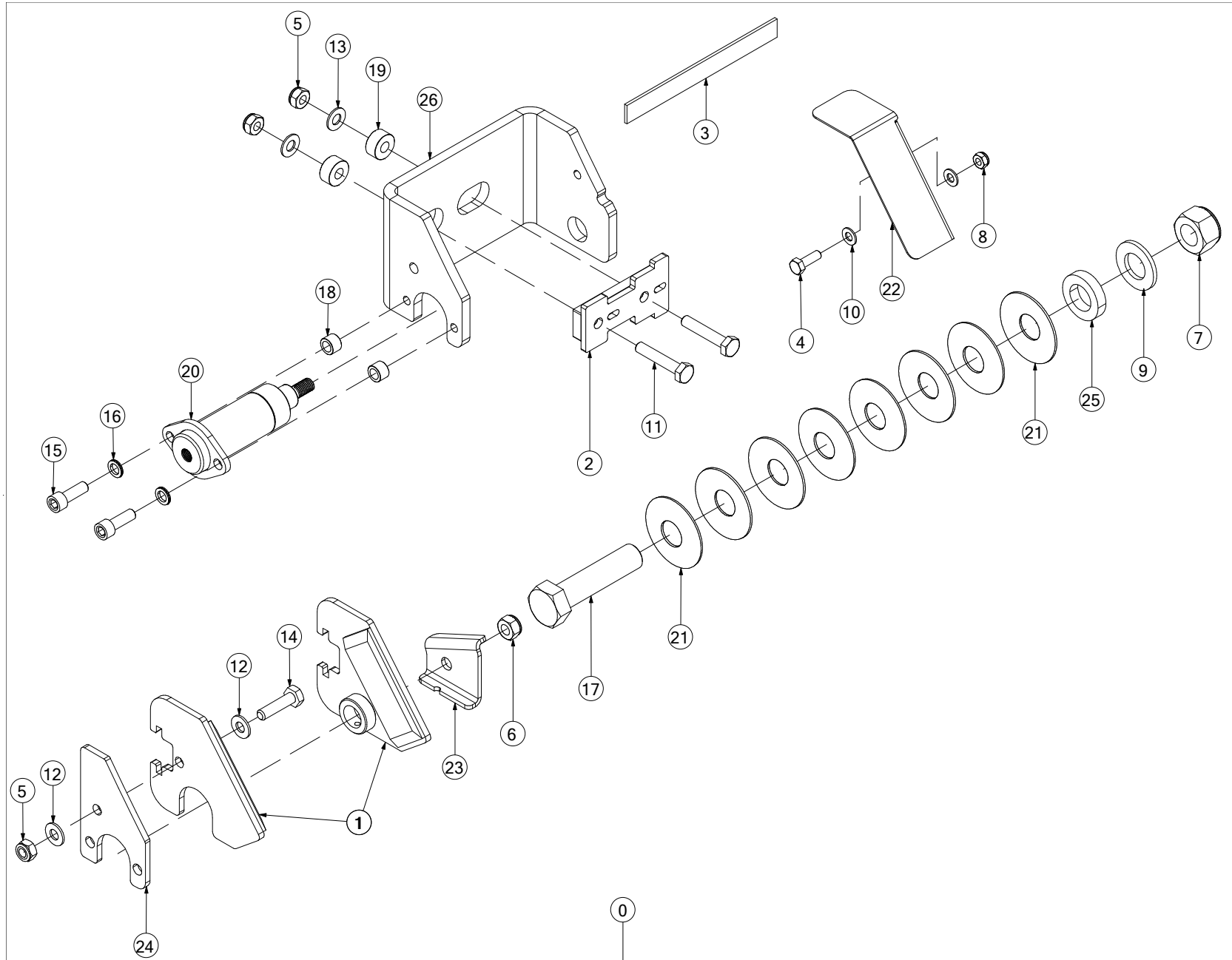




No.	Part No	Description	Qty
1	ACH00363	SUSPENSION UNIT ASSY	2
2	ACH00364	SUSPENSION UNIT DISPENSER RING	2
3	ACH02811	DISPENSER RING SUPPORT ARCH	1
6	ADP00060	KIT DISPENSER RING	1
8	CBR00329	BEARING 25X28X21 STEPPED PLASTIC	4
11	CFA02347	BOLT M10X140 8.8 Z/P	3
12	CFA00123	NUT M10 NYLOC	14
13	CFA00124	NUT M12 NYLOC	6
14	CFA00129	NUT M20 NYLOC	4
16	CFA00138	WASHER FLAT 12MM Z/P	20
18	CFA00151	SETSCREW M16X40 Z/P	2
19	CFA00201	WASHER FLAT 10 MM Z/P	16
20	CFA00250	WASHER SKM12	8
21	CFA00251	WASHER SKM10	12
22	CFA00252	WASHER SKM16	2
23	CFA00592	BOLT M12X70 ZP	2
24	CFA00311	SETSCREW M10X35 Z/P	8
25	CFA00413	WASHER FLAT 20MM Z/P	8
26	CFA00579	BOLT M12X65 ZP	6
27	CFA00611	KEY RING MOTOR FUSION	2
NOT SHOWN			
28	CFA00793	BOLT M10X130 Z/P	3
29	CFA02331	BOLT M20X110 8.8 Z/P	4
31	CMT00056	MOTOR 80CC WHEEL TAPER SHAFT	2
31a	CSE00110	SEAL KIT TG+TF PARKER HYD MTR	2
32	CPL00212	DISPENSER WHEEL WEAR PLATE 350	4
33	CPL00106	BLANKING CAP 110MM BLACK	2
34	CTP00354	ROLLER END RING FUSION 2	4
35	CWH00303	TOP GUIDE WHEEL DISPENSER RING	2
36	CWH00282	DISPENSER WHEEL WITH SENSOR PLATE ORBITAL	2
37	CWH00274	DISPENSER DRIVE WHEEL 300 DIAMETER	2
38	CXT00302	TUBE 88.9 X 4 X 845	2
40	CZF06031	6MM L PLATE	2
41	CZF07009	6MM L DISPENSER WHEEL PLATE 350	4
43	CZF07024	6MM L SENSOR BRACKET ORBITAL	1
45	CZF07502	6MM L PLATE DISPENSER RING	4
46	CZG04825	8MM L DISPENSER WHEEL SENSOR PLATE ORBITAL	1

No.	Part No	Description	Qty
-----	---------	-------------	-----

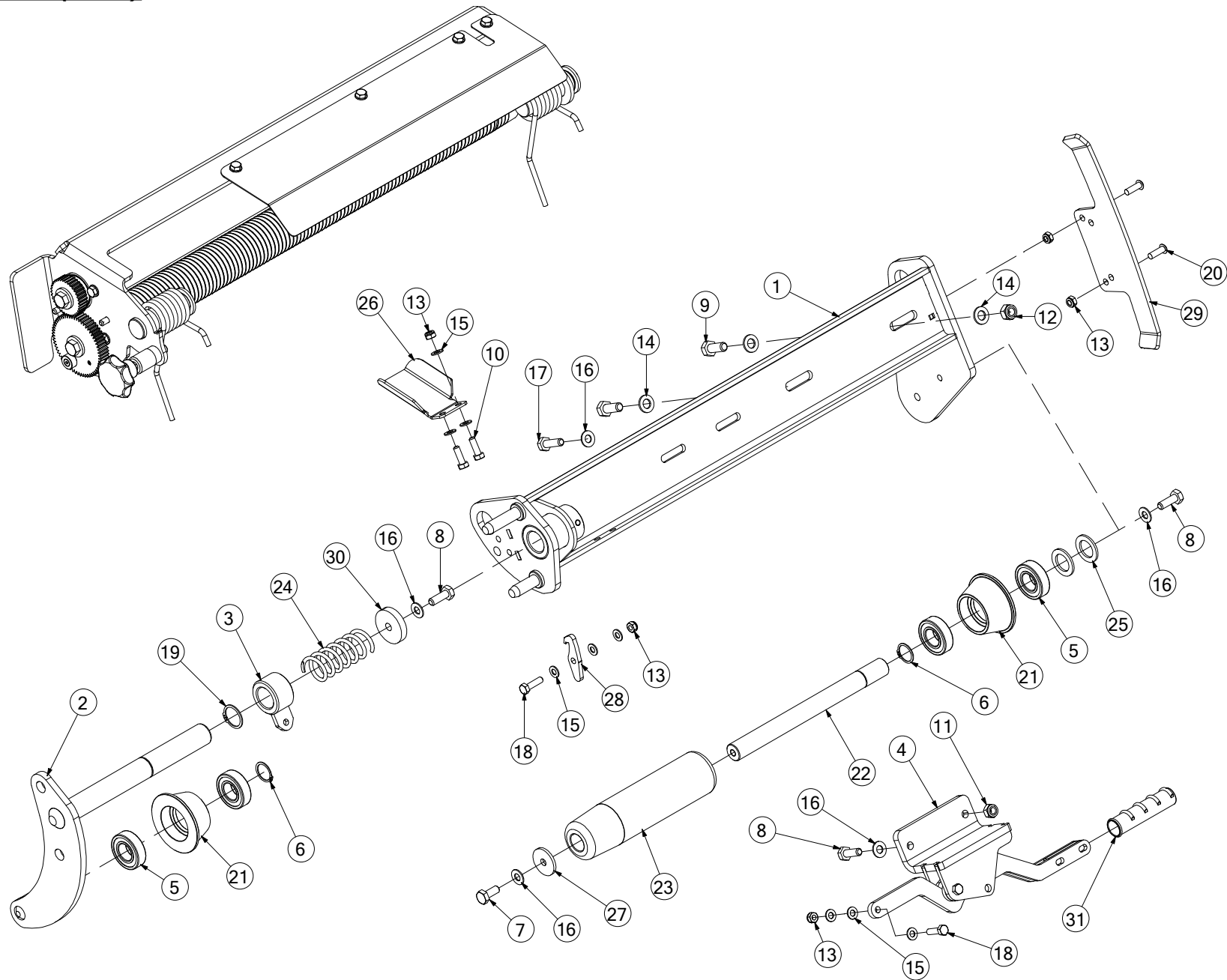
# Dispenser ring brake (1038)



No.	Part No	Description	Qty
Item	Part Code	Description	Qty
0	ACH01411	BRAKE CALIPER COMP ASSY FUSION 3	1
<i>UP TO SERIAL No 125062</i>			
0	ACH03011	BRAKE UNIT EXTD LARGE SPRINGS	1
<i>FROM SERIAL No 125063</i>			
1	ABS00014	BRAKE PAD SET CALIPER FUSION	1
<i>UP TO SERIAL No 125062</i>			
1	ABS00259	BRAKE PAD SET [EXTENDED]	1
<i>FROM SERIAL No 125063</i>			
2	ACH01410	BRAKE PAD SLIDE FUSION 3	1
3	CBE00258	RUBBER STRIP 190X20X3	1
4	CFA00102	SETSCREW M8X25 Z/P	1
5	CFA00123	NUT M10 NYLOC	3
6	CFA00124	NUT M12 NYLOC	1
7	CFA00128	NUT M16 NYLOC	1
<i>UP TO SERIAL No 125262</i>			
7	CFA00130	NUT M24 NYLOC	1
<i>FROM SERIAL No 125263</i>			
8	CFA00132	NUT M8 NYLOC Z/P	1
9	CFA00140	WASHER FLAT 16MM Z/P	1
<i>UP TO SERIAL No 125262</i>			
9	CFA00135	WASHER FLAT 1" Z/P	1
<i>FROM SERIAL No 125263</i>			
10	CFA00147	WASHER FLAT 8MM Z/P	2
11	CFA00156	BOLT M10X55	2
12	CFA00201	WASHER FLAT 10 MM Z/P	2
13	CFA00251	WASHER SKM10	2
14	CFA00312	SETSCREW M10X40 Z/P	1
15	CFA00602	SETSCREW M10X30 SOC CAP Z/P	2
16	CFA00798	WASHER M10 NORDLOC	2
17	CFA00739	BOLT M16X70 Z/P	1
<i>UP TO SERIAL No 125262</i>			
17	CFA02353	BOLT M24X100 8.8 Z/P DIN931	1
<i>FROM SERIAL No 125263</i>			
18	CMH00809	BUSH 10X16X11 Z/P	2
19	CMH01329	BUSH 10X25X12	2
20	CRA00172	RAM BRAKE CALLIPER	1
21	CSG00032	SPRING BELVILLE 18X50	16
<i>UP TO SERIAL No 125262</i>			
21	CSG00309	DISC SPRING 70X25.5X2	8
<i>FROM SERIAL No 125263</i>			
22	CZB04601	1.5MM L BRAKE UNIT COVER PLATE	1
23	CZD04962	4MM L SUPPORT STRUT BRAKE UNIT	1
24	CZD05174	4MM SPACER PLATE BRAKE CALIPER ORBITAL	1
<i>SERIAL No. 125263 TO 125324</i>			
24	CZF06844	6MM SPACER PLATE BRAKE CALIPER	1
<i>UP TO SERIAL No. 125262 &amp; FROM SERIAL No 125325.</i>			
25	CZH04743	10MM L WASHER 45X26.5	1
26	CZH03976	10MM BRAKE CALIPER PART FUSION 3	1
<i>UP TO SERIAL No. 125262</i>			
26	CZH05765	10MM L BRAKE UNIT BRACKET BIG SPRINGS	1
<i>FROM SERIAL No. 125263</i>			

No.	Part No	Description	Qty
-----	---------	-------------	-----

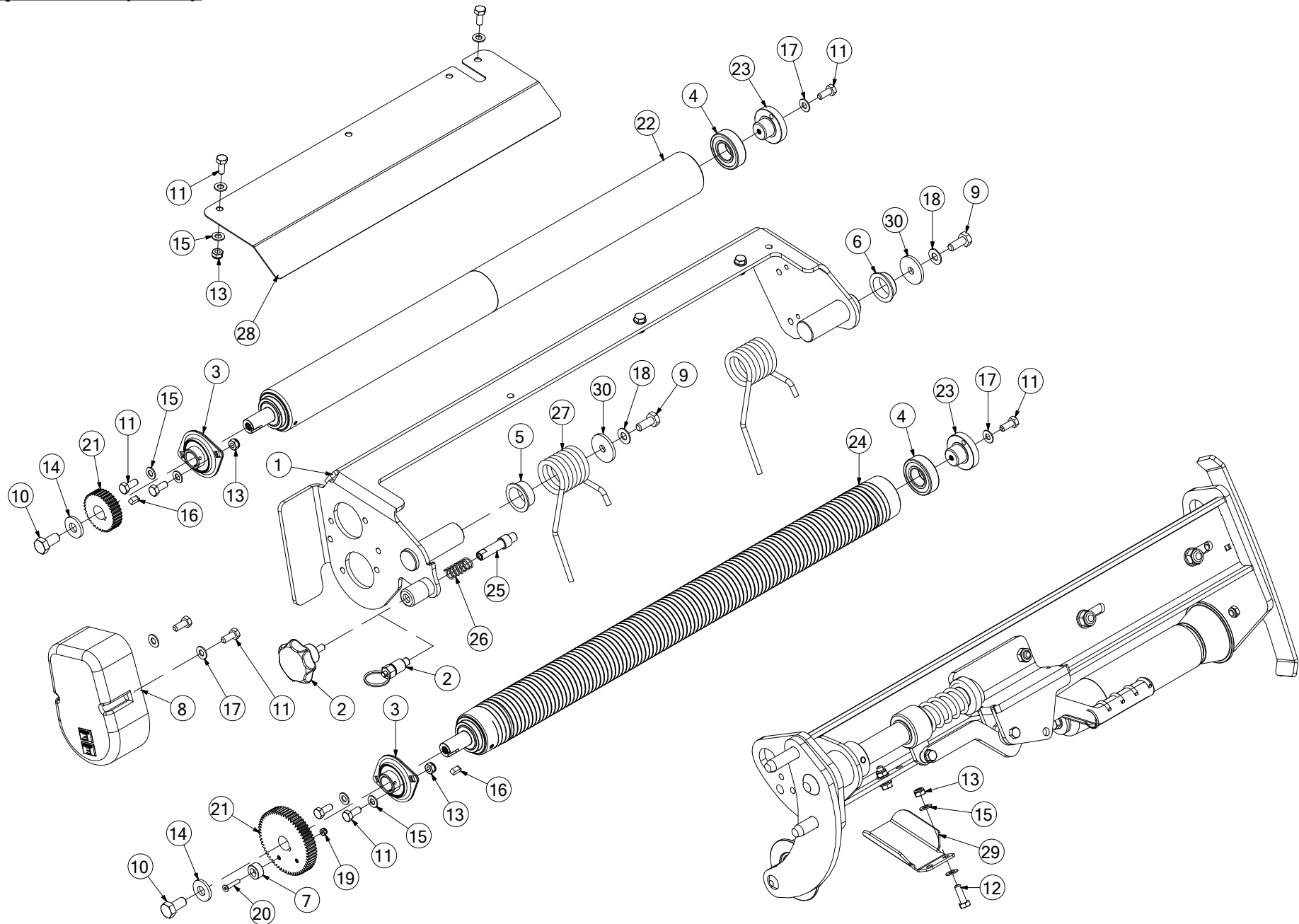
# Dispenser 1 (1138)



No.	Part No	Description	Qty
0	ADP00327	DISPENSER ASSEMBLY ORBITAL	1
<i>COMPLETE DISPENSER ASSEMBLY (INCLUDES ALL ITEMS)</i>			
1	ADP00080	DISP WELD FILM HOLDER FUSION	1
2	ADP00084	DISP ROLL RETAINER WELD ASSY B/W	1
3	ADP00100	DISP SLIDE BUSH ASSY	1
4	ADP00162	DISPENSER LOCK COMPL ASSEMBLY	1
<i>INCLUDES ITEM 31</i>			
4a	CFA00194	LINCH PIN PIPE 10MMX50MM	1
<i>OPTIONAL (NOT SHOWN)</i>			
5	CBR00009	BEARING 6205 2RS	4
6	CFA00001	CIRCLIP 25MM EXTERNAL Z/P	2
7	CFA00024	SETSCREW M10X25 Z/P	1
8	CFA00025	SETSCREW M10X30	3
9	CFA00032	SETSCREW M12X30 Z/P	2
10	CFA00102	SETSCREW M8X25 Z/P	2
11	CFA00123	NUT M10 NYLOC	2
12	CFA00124	NUT M12 NYLOC	2
13	CFA00132	NUT M8 NYLOC Z/P	14
14	CFA00138	WASHER FLAT 12MM Z/P	4
15	CFA00147	WASHER FLAT 8MM Z/P	22
16	CFA00251	WASHER SKM10	7
17	CFA00311	SETSCREW M10X35 Z/P	1
18	CFA00316	BOLT M8X30 Z/P	2
19	CFA00402	CIRCLIP 30MM EXTERNAL	1
20	CFA00274	BOLT M8X25 BTN HEAD SOC CAP Z/P	2
21	CMH00785	COIL ROLLER (2 BEARING TYPE)	2
22	CMH02826	SHAFT 25X286 DISPENSER ROLL AXLE	1
<i>(REPLACES CMH00573) ALSO ORDER CPL00243 (ITEM 23) FOR MACHINES PRIOR TO SERIAL No 125072</i>			
23	CPL00243	DISPENSER ROLL GUIDE (SHORT)	1
<i>(REPLACES CPL00059) ALSO ORDER CMH02826 (ITEM 22) FOR MACHINES PRIOR TO SERIAL No 125072</i>			
24	CSG00213	SPRING 4.88W/D X 31ID X 7T/C X 100 F/C	1
25	CZC00112	3MM L DISPENSER SPACER	2
26	CZC05644	3MM L DISPENSER ROLL SUPPORT PLATE	1
27	CZD00118	4MM L CUT & TIE SPACER	1
28	CZF02832	6MM L DISPENSER PART BALER	1
<i>HOOK TYPE RETAINER USED UP TO SERIAL No 125062 ONLY</i>			
29	CZF02846	6MM L SENSOR PLATE BALER	1
30	CZH02093	10MM L WASHER 10X50 Z/P	1
31	CBC00012	CAP PLASTIC HANDGRIP 7/8"	1

No.	Part No	Description	Qty
-----	---------	-------------	-----

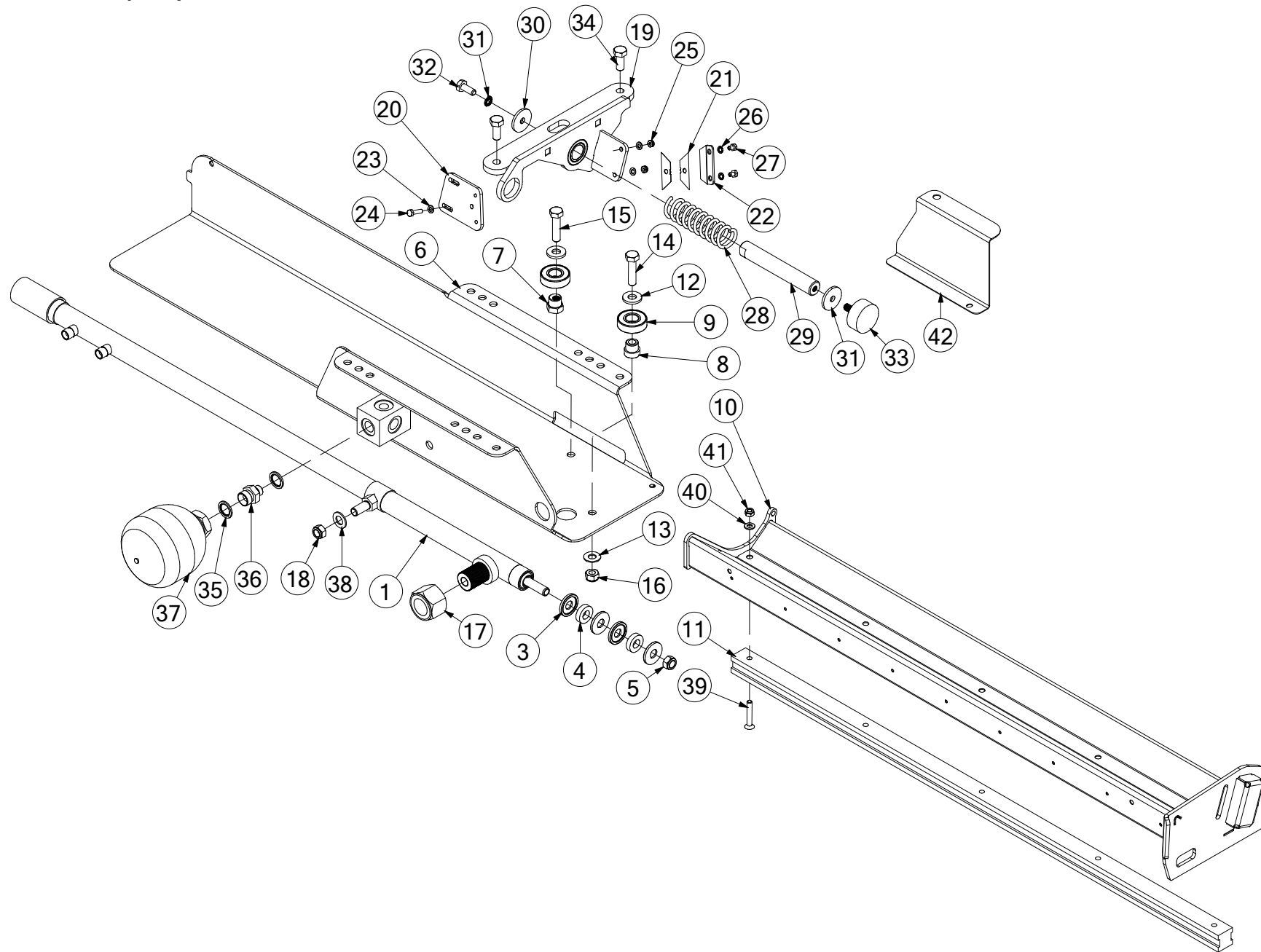
# Dispenser 2 (1143)



No.	Part No	Description	Qty
1	ADP00325	DISP WELD ROLLER FRAME ORBITAL	1
<i>ALSO ORDER KST00080 PRIOR TO SERIAL No 125660</i>			
2	CFA02325	M16 INDEX PLUNGER	1
<i>USED FROM SERIAL No 125063 UP TO SERIAL No 125659</i>			
2	CBC00178	HAND WHEEL KNOB M8 MALE	1
<i>USED FROM SERIAL No 125660</i>			
3	CBR00004	BEARING 20MM 2BOLT P/S FLANGE	2
4	CBR00009	BEARING 6205 2RS	2
5	CBR00068	BEARING 30X34X16 STEPPED PLAS	1
6	CBR00107	BEARING 30X34X12 STEPPED PLAS	1
7	CEL00059	MAGNET 20 X 10 260369	1
8	CEL00221	TRANSMITTER EVEN/GEAR COVER	1
8	CEL00222	TRANSMITTER ODD/ GEAR COVER	1
8	CEL00636	KIT TRANSMITTERS AND RECEIVER	1
8a	CEL01610	BATTERY FILM TRANSMITTER MK2	1
8b	CGD00465	TRANSMITTER MK2 PLASTIC HOUSING	1
9	CFA00024	SETSCREW M10X25 Z/P	3
10	CFA00031	SETSCREW M12X25 Z/P	2
11	CFA00052	SETSCREW M8X20 Z/P	12
12	CFA00102	SETSCREW M8X25 Z/P	2
13	CFA00132	NUT M8 NYLOC Z/P	13
14	CFA00139	WASHER FLAT 12MM H/D Z/P	2
15	CFA00147	WASHER FLAT 8MM Z/P	19
16	CFA00153	KEY 6X6X15	2
17	CFA00249	WASHER SKM8	4
18	CFA00251	WASHER SKM10	7
19	CFA00348	NUT M5 NYLOC SS	1
20	CFA00608	SETSCREW M5X25 CSK HEAD SS	1
21	ADP00018	KIT DISPENSER GEARS 70%	1
21	ADP00019	KIT DISPENSER GEARS 55%	1
22	CMH00580	ROLLER DISPENSER SECONDARY KNURLED	1
23	CMH00583	PIN 50X27 STEPPED 25	2
24	CMH02320	ROLLER DISPENSER PRIMARY SPIROL FUSION/W20	1
25	CMH02924	INDEX PIN 16X65	1
<i>USED FROM SERIAL No 125660</i>			
26	CSG00010	SPRING COMP 1.625X16X40X8	1
<i>USED FROM SERIAL No 125660</i>			
27	CSG00041	SPRING TOR 6.35WDX48ODX7.8COIL	2
28	CZB02152	1.5MM L DISPENSER GRASS GUARD	1
29	CZC05644	3MM L DISPENSER ROLL SUPPORT PLATE	1
<i>USED FROM SERIAL No 125655</i>			
30	CZD00118	4MM L CUT& TIE SPACER	3

No.	Part No	Description	Qty
-----	---------	-------------	-----

**Cut & Hold LH (814)**





No.	Part No	Description	Qty
0	ACT00064	CUT & HOLD BALER LHS COMPLETE	1
1	CRA00074	RAM 25X18 CUT&HOLD 998	1
2	CSE00074	SEAL KIT RAM CUT&HOLD	1
<i>SEAL KIT FOR CRA00074 (NOT SHOWN)</i>			
3	CMH00330	WASHER DISHED 998 C&H RAM	4
4	CMH00331	WASHER RUBBER 998 C&H	2
5	CFA00126	NUT M14 NYLOC	1
6	ACT00065	CUT&HOLD FRAME WELD ASSY LH	1
7	CMH00262	BEARING HOLDER ECCENTRIC	1
8	CMH00261	BEARING HOLDER CONCENTRIC Z/P	2
9	CBR00020	BEARING 6204 2RS	3
10	ACT00002	CUT&HOLD SLIDER BARE (ALUM)	1
11	CMH00260	CUT&HOLD RAIL	1
12	CFA00139	WASHER FLAT 12MM H/D Z/P	3
13	CFA00250	WASHER SKM12	3
14	CFA00272	BOLT M12X50 Z/P	2
15	CFA00270	SETSCREW M12X50 Z/P	1
16	CFA00124	NUT M12 NYLOC	6
17	CFA00012	NUT 1"1/4 NYLOC UNF	1
18	CFA00126	NUT M14 NYLOC	1
19	ACT00003	CUT&HOLD 998, PLUNGER BRACKET	1
20	CZF02121	6MM L KNIFE PLATE	1
21	CKN00011	KNIFE STANLEY BLADE CUT&HOLD	2
22	CZC02012	3MM L 998 /COMBI KNIFE CLAMP	1
23	CFA00144	WASHER FLAT 6MM Z/P	4
24	CFA00098	SETSCREW M6X25 Z/P	2
25	CFA00131	NUT M6 NYLOC	2
26	CFA00268	WASHER 6MM SHAKEPROOF	2
27	CFA00269	SETSCREW M6X10 Z/P	2
28	CSG00036	SPRING COM 4.88X38X150X12	1
29	CMH00023	PIN 25X159 C.PLUNGER C&T	1
30	CZD00118	4MM L CUT& TIE SPACER	2
31	CFA00137	WASHER SPRING 10MM H.D Z/P	1
32	CFA00024	SETSCREW M10X25 Z/P	1
33	CBE00002	BUFFER RUBBER 50X21 M10X28	1
34	CFA00032	SETSCREW M12X30 Z/P	2
35	CHY00053	WASHER DOWTY 1/2	2
36	CHY02008	ADAPTOR 1/2 M 3/8 M	1
37	CVA03011	ACCUMULATOR 0.7 LITRE 70 BAR	1
38	CFA00222	WASHER FLAT 14MM Z/P	1
39	CFA00089	SETSCREW M8X45 CSK HEX Z/P	5
40	CFA00147	WASHER FLAT 8MM Z/P	5
41	CFA00132	NUT M8 NYLOC Z/P	5
42	CZB00290	1.5MM GUARD CUT AND HOLD LEFT F3	1
<i>USED ON FUSION VARIO ONLY</i>			

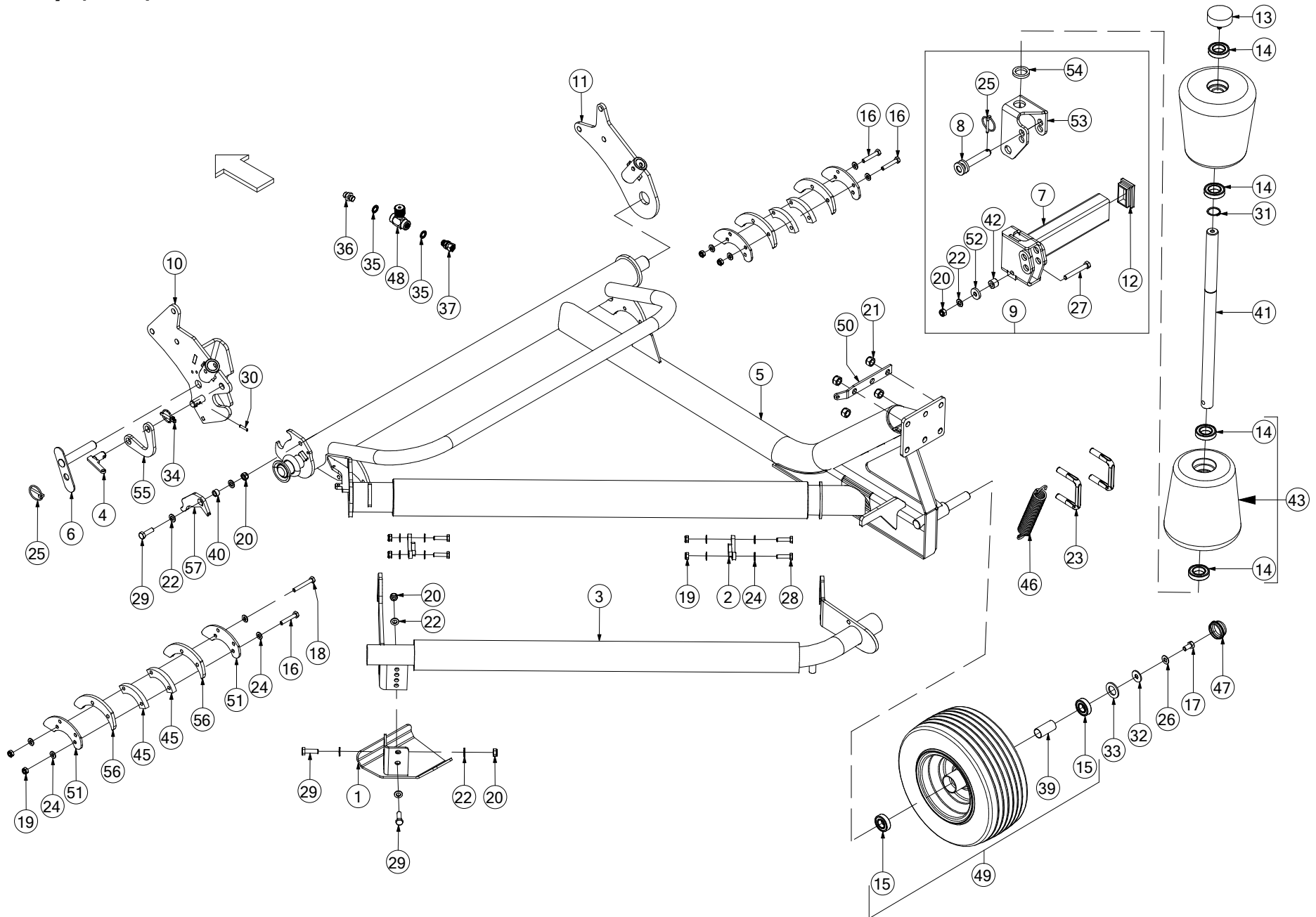
No.	Part No	Description	Qty
-----	---------	-------------	-----



No.	Part No	Description	Qty
0	ACT00039	CUT & HOLD BALER RHS COMPLETE	1
<i>ALSO ORDER HOSES CHY02897 &amp; CHY02899 PRIOR TO SERIAL No 659778 (FUSION 3) &amp; SERIAL No 900158 (FUS VARIO)</i>			
1	CRA00074	RAM 25X18 CUT&HOLD 998	1
2	CSE00074	SEAL KIT RAM CUT&HOLD	1
<i>SEAL KIT FOR CRA00074 (NOT SHOWN)</i>			
3	CMH00330	WASHER DISHED 998 C&H RAM	4
4	CMH00331	WASHER RUBBER 998 C&H	2
5	CFA00126	NUT M14 NYLOC	1
6	ACT00042	CUT & HOLD FRAME WELD ASY RGHT	1
<i>ALSO ORDER HOSES CHY02897 &amp; CHY02899 PRIOR TO SERIAL No 659778 (FUSION 3) &amp; SERIAL No 900158 (FUS VARIO)</i>			
7	CMH00262	BEARING HOLDER ECCENTRIC	1
8	CMH00261	BEARING HOLDER CONCENTRIC Z/P	2
9	CBR00020	BEARING 6204 2RS	3
10	ACT00002	CUT&HOLD SLIDER BARE (ALUM)	1
11	CMH00260	CUT&HOLD RAIL	1
12	CFA00139	WASHER FLAT 12MM H/D Z/P	3
13	CFA00250	WASHER SKM12	3
14	CFA00272	BOLT M12X50 Z/P	2
15	CFA00270	SETSCREW M12X50 Z/P	1
16	CFA00124	NUT M12 NYLOC	6
17	CFA00012	NUT 1"1/4 NYLOC UNF	1
18	CFA00126	NUT M14 NYLOC	1
19	ACT00003	CUT&HOLD 998, PLUNGER BRACKET	1
20	CZF02121	6MM L KNIFE PLATE	1
21	CKN00011	KNIFE STANLEY BLADE CUT&HOLD	2
22	CZC02012	3MM L 998 /COMBI KNIFE CLAMP	1
23	CFA00144	WASHER FLAT 6MM Z/P	4
24	CFA00098	SETSCREW M6X25 Z/P	2
25	CFA00131	NUT M6 NYLOC	2
26	CFA00268	WASHER 6MM SHAKEPROOF	2
27	CFA00269	SETSCREW M6X10 Z/P	2
28	CSG00036	SPRING COM 4.88X38X150X12	1
29	CMH00023	PIN 25X159 C.PLUNGER C&T	1
30	CZD00118	4MM L CUT& TIE SPACER	2
31	CFA00137	WASHER SPRING 10MM H.D Z/P	1
32	CFA00024	SETSCREW M10X25 Z/P	1
33	CBE00002	BUFFER RUBBER 50X21 M10X28	1
34	CFA00032	SETSCREW M12X30 Z/P	2
35	CHY00053	WASHER DOWTY 1/2	2
36	CHY02008	ADAPTOR 1/2 M 3/8 M	1
37	CVA03011	ACCUMULATOR 0.7 LITRE 70 BAR	1
38	CFA00222	WASHER FLAT 14MM Z/P	1
39	CFA00089	SETSCREW M8X45 CSK HEX Z/P	5
40	CFA00147	WASHER FLAT 8MM Z/P	5
41	CFA00132	NUT M8 NYLOC Z/P	5
42	CZB00291	1.5MM GUARD CUT AND HOLD RIGHT F3	1
<i>USED ON FUSION VARIO ONLY</i>			

No.	Part No	Description	Qty
-----	---------	-------------	-----

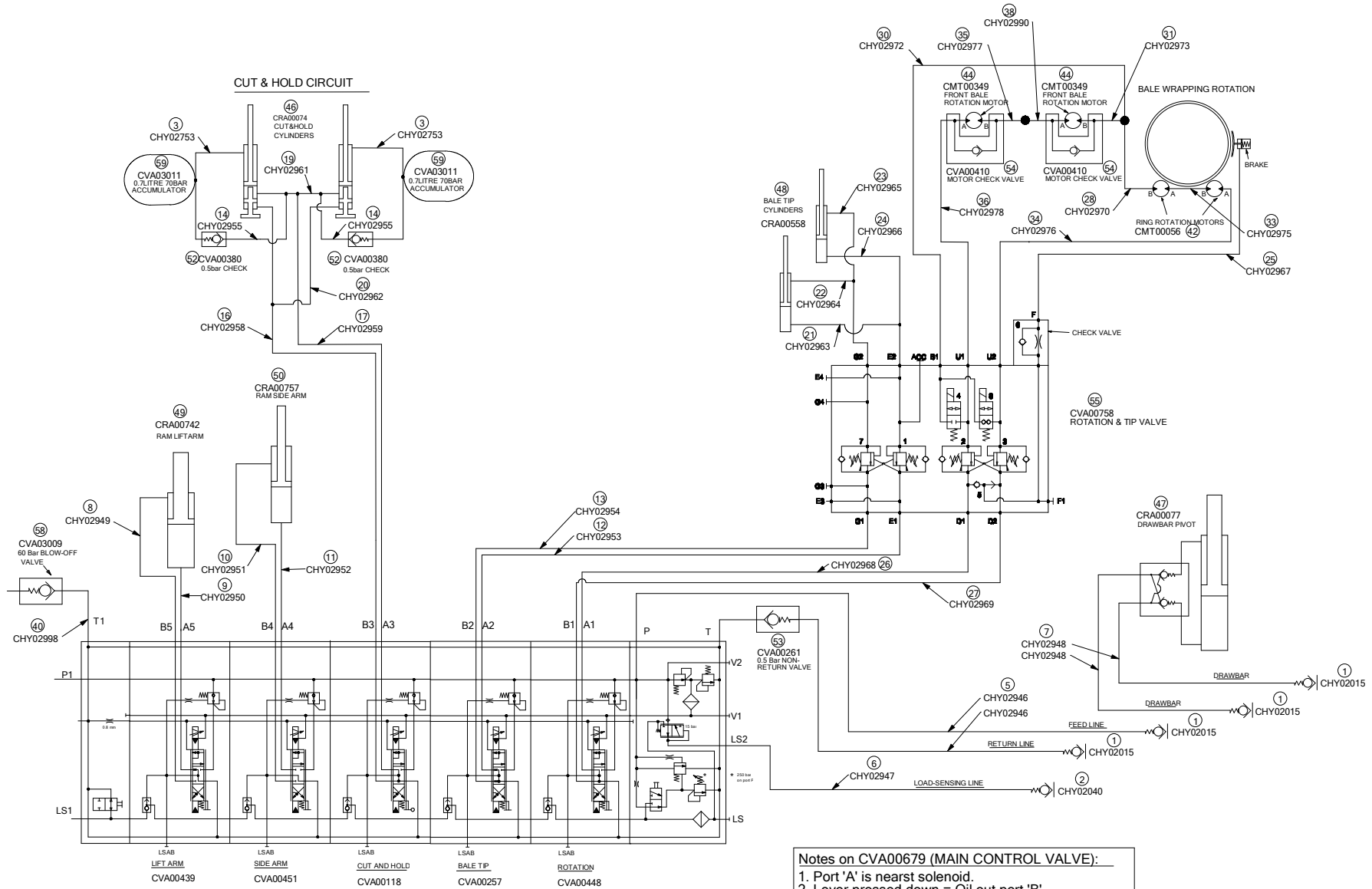
**Side tip (1080)**



No.	Part No	Description	Qty
Item	Part Code	Description	Qty
0	ABD00098	SIDE TIP ASSEMBLY ORBITAL	1
COMPLETE SIDE TIP ASSEMBLY			
1	ABD00048	FUSION 2 SIDETIP GROUND SUPPORT	1
2	ABD00050	LATCH SIDE TIP DROP BAR	2
3	ABD00079	FUSION 3/VARIO SIDETIP EXTENDED BAR	1
4	ABD00082	PIN FOR ABD00072 SIDE TIP FUSION	1
5	ABD00101	SIDE TIP ORBITAL WELD ASSY	1
6	ABD00119	ORBITAL SIDE TIP TRANSPORT PIN	1
7	ABD00133	SIDE TIP BIG BALE WELD	1
8	ABD00134	PIN BOBBIN ADJUSTER	1
9	ABD00137	BIG BALE SIDETIP BRKT ASSY	1
10	ARC00394	BOBBIN WELD ASSEMBLY LH SIDE TIP ORBITAL	1
11	ARC00398	BOBBIN WELD ASSEMBLY RH SIDE TIP ORBITAL	1
12	CBC00021	CAP SQ PLASTIC INSERT 80 X 50	1
13	CBE00275	BUFFER RUBBER 75X25 M12X30	1
14	CBR00001	BEARING 6007 2RS	4
15	CBR00009	BEARING 6205 2RS	2
16	CFA00027	BOLT M10X60 Z/P	6
17	CFA00031	SETSCREW M12X25 Z/P	1
18	CFA00075	BOLT M10X75 Z/P	2
19	CFA00123	NUT M10 NYLOC	12
20	CFA00124	NUT M12 NYLOC	6
21	CFA00128	NUT M16 NYLOC	4
22	CFA00138	WASHER FLAT 12MM Z/P	11
23	CFA00200	U BOLT M16X80X80	2
24	CFA00201	WASHER FLAT 10 MM Z/P	24
25	CFA00202	LINCH PIN 6MM	2
26	CFA00250	WASHER SKM12	1
27	CFA00279	BOLT M12X90	1
28	CFA00312	SETSCREW M10X40 Z/P	4
29	CFA00324	SETSCREW M12X40 Z/P	5
30	CFA00345	ROLL PIN 6X30 Z/P	1
31	CFA00514	CIRCLIP 35MM EXTERNAL	1
32	CFA00718	WASHER FLAT 12MM DIN 9021 Z/P	1
33	CFA00720	WASHER FLAT M26 ZP DIN126	1
34	CFA01084	SAFETY LINCH PIN 8X42	1
35	CHY00020	WASHER DOWTY 3/8"	2
36	CHY02002	ADAPTOR 3/8" BSP M/M	1
37	CHY02098	ADAPTOR 3/8" BSP M-F	1
NOT SHOWN			
38	CHY03002	HA06-0300WJ-F0690N-F0690N-000	1
39	CMH00838	BUSH 27X30.25X62 REEL WHEEL	1
40	CMH00968	BUSH 19X12.5X11	1
41	CMH02592	SHAFT 35 X 650 FUSION SIDETIP	1
42	CMH03085	BUSH 12.5X25X18	1
43	CPL00192	BOBBIN ASSEMBLY 6007 BEARINGS	2
45	CPL00246	PLASTIC BUFFER	4
46	CSG00303	SPRING EXT 4.47X40.3X240 OPEN EYES	1

No.	Part No	Description	Qty
47	CTP00070	DUST CAP 170/60-8 VREDESTEIN	1
48	CVA00276	VALVE NEEDLE 3/8	1
49	CWH00037	WHEEL 170/60-8 V64+ 6PLY PICK-UP	1
50	CZF04875	6MM L FUSION 2 SIDETIP BRACKET	1
51	CZF08264	6MM L STOP PLATE SIDE TIP ORBITAL	4
52	CZF09171	6MM WASHER 12.5X35	1
53	CZG00218	8MM SIDETIP BOBBIN	1
54	CZG00220	WASHER 35.5X50X8	1
55	CZH03852	10MM L SIDE TIP PLATE FUSION/VARIO	1
56	CZH05744	10MM L STOP PLATE SIDE TIP ORBITAL	4
57	CZH05838	10MM L SIDE-TIP LATCH ORBITAL	1

# Hydraulic layout Orbital (1011)



**Notes on CVA00679 (MAIN CONTROL VALVE):**

1. Port 'A' is nearest solenoid.
2. Lever pressed down = Oil out port 'B'.

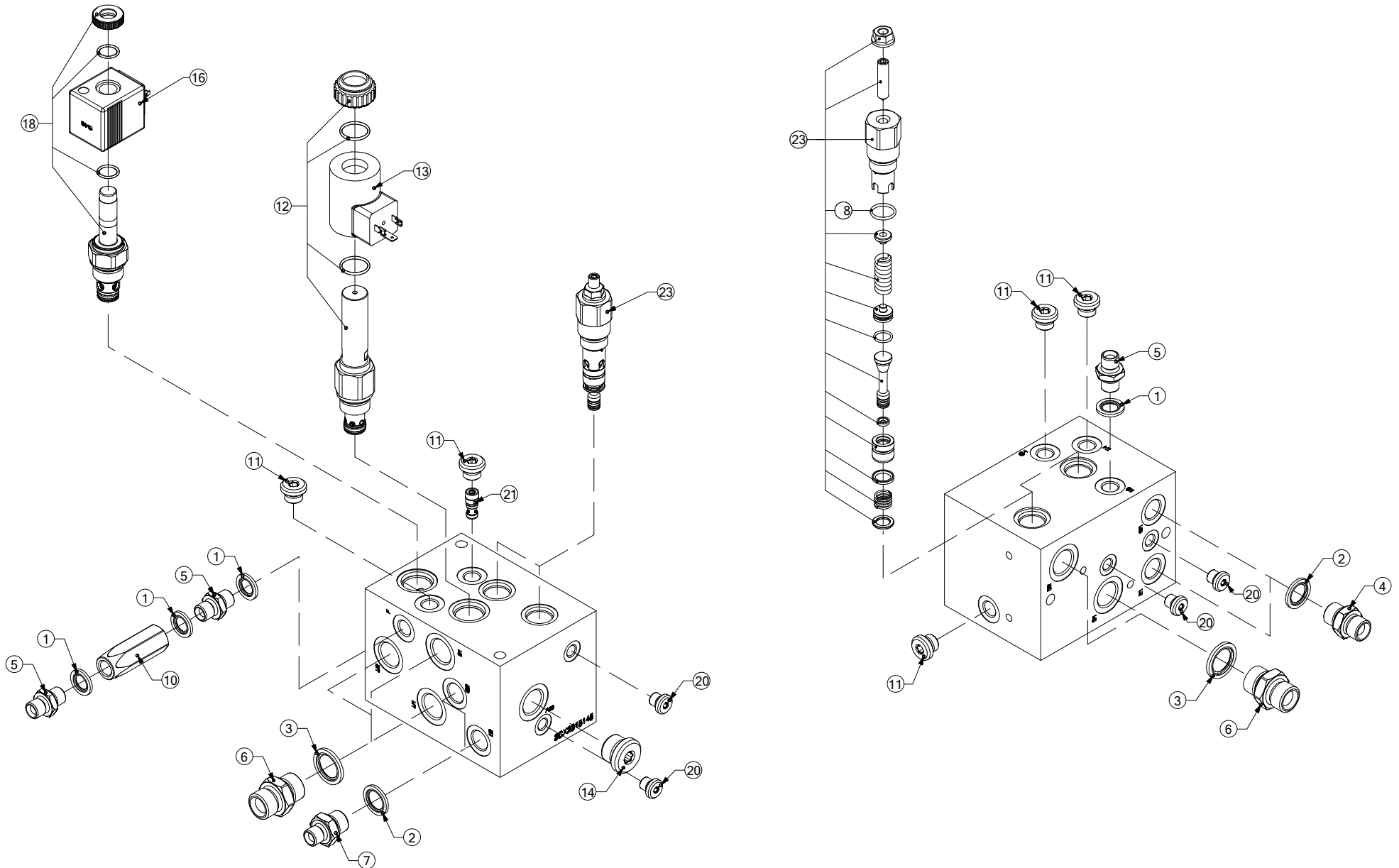
**Section Operation:**

- Section 1: Handle Down = Fwd. Wrapping.
- Section 2: Handle Down = Tip Up.
- Section 3: Handle Down = C&H Opens Fully.
- Section 4: Handle Down = Side Arm Closes.
- Section 5: Handle Down = Lift Arm Up.

No.	Part No	Description	Qty
1	CHY02015	QR 1/2 MALE SHIELDED POPPET	4
2	CHY02040	QUICK RELEASE 3/8 BSP MALE	1
3	CHY02753	HA06-0290WJ-F0600N-F0690N-000	2
5	CHY02946	HA10-4600WJ-F1000N-F1000N-000	2
6	CHY02947	HA04-4800WJ-F0400N-F0400N-000	1
7	CHY02948	HA04-4450WJ-F0400N-F0490N-000	2
8	CHY02949	HA06-3500WJ-F0600N-F0600N-000	1
9	CHY02950	HA06-3450WJ-F0600N-F0600N-000	1
10	CHY02951	HA06-3680WJ-F0600N-F0690N-000	1
11	CHY02952	HA06-3750WJ-F0600N-F0690N-000	1
12	CHY02953	HA06-0270WJ-F0600N-F0600N-000	1
13	CHY02954	HA06-0260WJ-F0600N-F0600N-000	1
14	CHY02955	HA06-0345WJ-F0600N-F0690N-000	2
16	CHY02958	HA06-4960WJ-F0600N-F0690N-000	1
17	CHY02959	HA06-4690WJ-F0600N-F0690N-000	1
19	CHY02961	HA06-0530WJ-F0690N-F0600N-000	1
20	CHY02962	HA06-0860WJ-F0690N-F0645N-000	1
21	CHY02963	HA04-1140WJ-F0490N-F0490N-000	1
22	CHY02964	HA04-1250WJ-F0490N-F0490N-000	1
23	CHY02965	HA04-3700WJ-F0400N-F0490N-000	1
24	CHY02966	HA04-3520WJ-F0400N-F0490N-000	1
25	CHY02967	HA04-1170WJ-F0400N-F0490N-000	1
26	CHY02968	HA08-0260WJ-F0800N-F0800N-000	1
27	CHY02969	HA08-0270WJ-F0800N-F0800N-000	1
28	CHY02970	HA08-0570WJ-F0800N-F0890N-000	1
30	CHY02972	HA08-2660WJ-F0800N-F0890N-000	1
31	CHY02973	HA08-2300WJ-F0800N-F0890N-000	1
33	CHY02975	HA08-1520WJ-F0890N-F0890N-000	1
34	CHY02976	HA08-1000WJ-F0800N-F0890N-000	1
35	CHY02977	HA08-2750WJ-F0800N-F0845N-000	1
36	CHY02978	HA08-2600WJ-F0800N-F0845N-000	1
38	CHY02990	HA08-2410WJ-F0800N-F0890N-000	1
40	CHY02998	HA06-1080WJ-F0600N-F0690N-000	1
42	CMT00056	MOTOR 80CC WHEEL TAPER SHAFT	2
44	CMT00349	MOTOR 750CC BACK ROLLER FUSION	2
44a	CSE00093	SEAL KIT WHITE RE SERIES MOTOR	2
46	CRA00074	RAM CUT&HOLD 25X18 998/FUSION	2
47	CRA00077	RAM DRAWBAR PIVOT COMBI	1
<i>UP TO SERIAL No 125012</i>			
47	CRA00788	RAM 60X40 DRAWBAR ORBITAL	1
<i>FROM SERIAL No 125013</i>			
47a	CSE00077	SEAL KIT DRAW BAR PIVOT COMBI	1
<i>SEAL KIT FOR EITHER RAM CRA00077 OR CRA00788</i>			
48	CRA00558	RAM 50X30 ROLLER CRADLE FUSION	2
49	CRA00742	RAM 80X60 LIFT ARM ORBITAL	1
49a	CSE00742	SEAL KIT FOR 80X60 RAM	1
50	CRA00757	RAM 60X40 SIDE ARM LIFT ARM ORBITAL	1
50a	CSE00757	SEAL KIT FOR 60X40 RAM	1
52	CVA00380	RELIEF/CHECK VALVE C&H FUSION	2

No.	Part No	Description	Qty
<i>REPLACES CVA00098</i>			
53	CVA00261	VALVE CHECK 3/4 0.5 BAR M/F	1
54	CVA00410	VALVE CTE CHECK SAE10 0.5BAR	2
55	CVA00758	VALVE ASY ROTATION TIP FUSION	1
<i>REPLACES CVA00416 WHICH CAN ALSO BE USED AS AN ALTERNATIVE</i>			
57	CVA00679	DPC130 5 BANK LS BOOST ORBITAL	1
58	CVA03009	VALVE DUMP 60 BAR	1
59	CVA03011	ACCUMULATOR 0.7 LITRE 70 BAR	2

**Hydraulic valve rotation & tip [From S-No 659744 (Fusion 3+) S-No 900118 (Vario)] (970)**

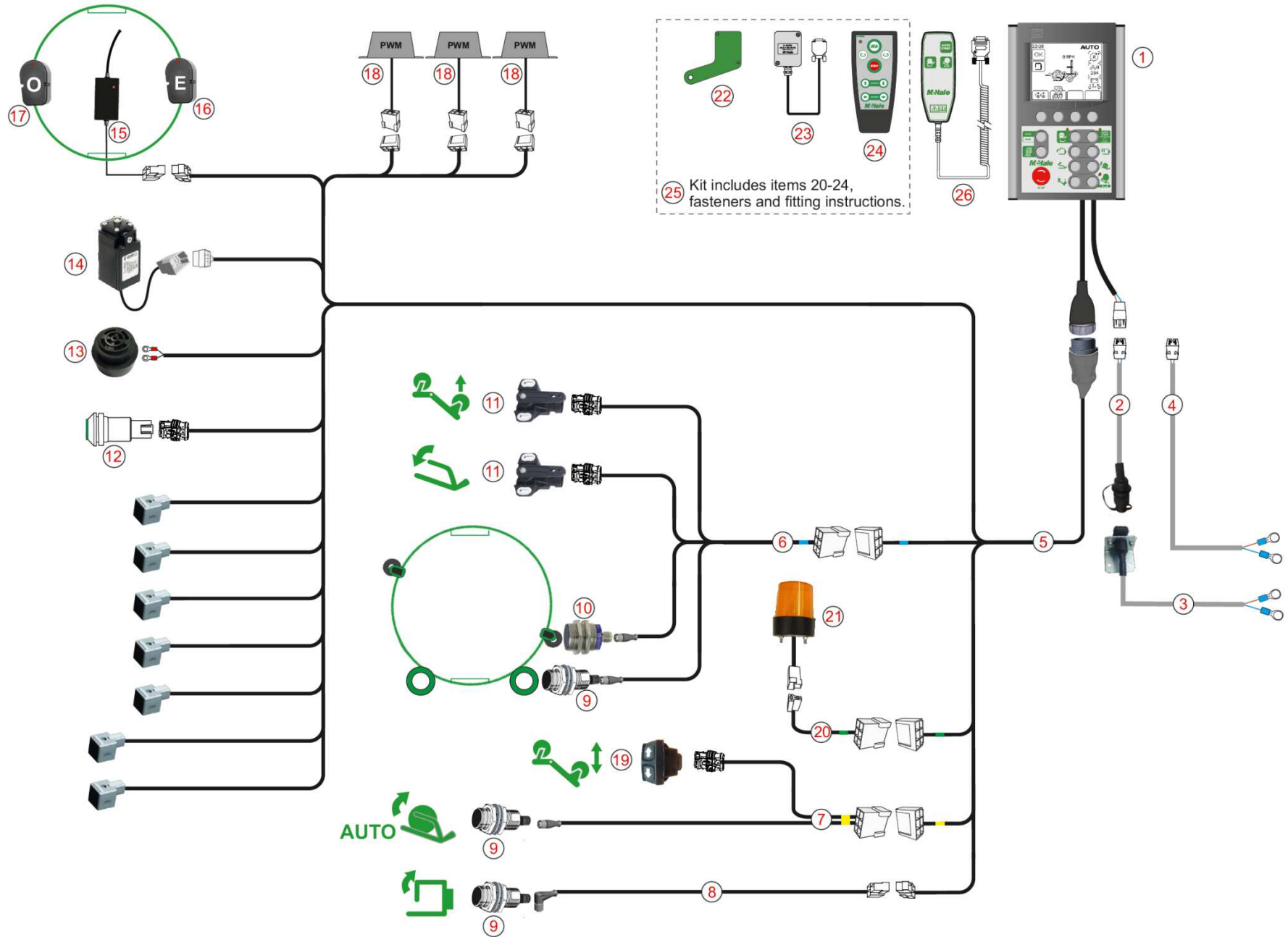




No. Part No	Description	Qty
0 CVA00758	VALVE ASY ROTATION TIP FUSION	1
<i>REPLACES CVA00416 WHICH CAN ALSO BE USED AS AN ALTERNATIVE BUT NOT FUSION 3 PLUS (INCL ITEMS 1 TO 23)</i>		
1 CHY00015	WASHER DOWTY 1/4	4
2 CHY00020	WASHER DOWTY 3/8	4
3 CHY00053	WASHER DOWTY 1/2	5
4 CHY02002	ADAPTOR 3/8 BSP M/M	2
5 CHY02010	ADAPTOR 1/4 BSP M/M	3
6 CHY02013	ADAPTOR 1/2 BSP M/M	5
7 CHY02032	ADAPTOR 1/4 M 3/8 M	2
8 CSE00164	O-RING 70 SH NBR 15.60X1.78	4
10 CVA00160	VALVE CHECK 1/4 0.4MM ORIFICE	1
11 CVA00176	PLUG BSP 1/4 ALLEN HD +SEAL	5
12 CVA00252	VALVE CTE ON/OFF NC EE10A20PB	1
13 CVA00253	COIL FOR CTE VALVE ON FUSION	1
14 CVA00304	BSP 1/2 PLUG	1
16 CVA00399	COIL 12VDC DIN BE-EC36	1
18 CVA00422	VALVE CTE ON/OFF SAE10 POPPET	1
20 CVA00553	BLANKING CAP 1/8" (OLEOSTAR)	4
21 CVA00558	SHUTTLE VALVE ASSY	1
23 CVA00668	VALVE ASM OVER CENTRE	4

No. Part No	Description	Qty
-------------	-------------	-----

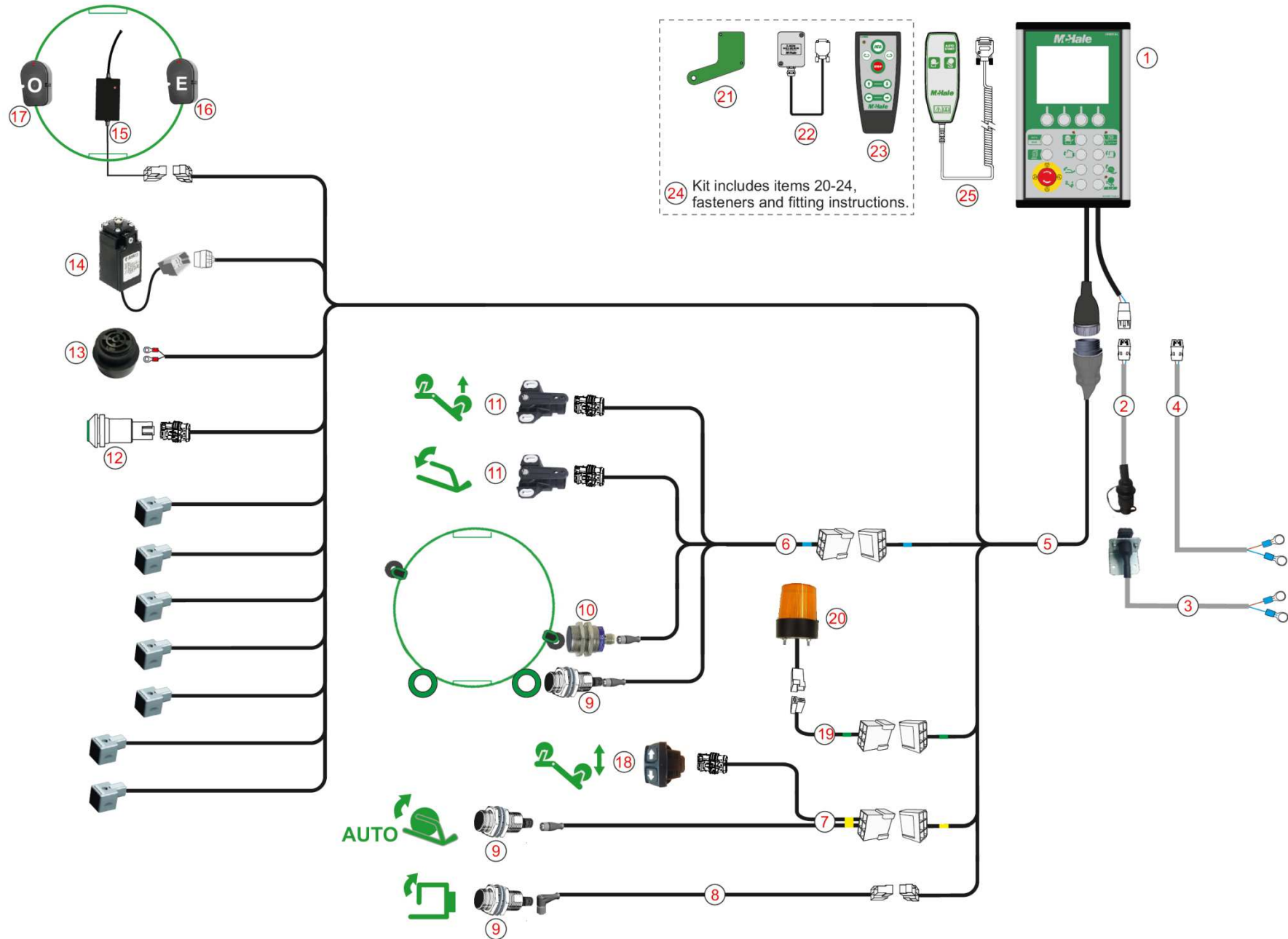
# Electrical control Orbital [Up to Serial No 125775] (1013)



No.	Part No	Description	Qty
1	CEL00994	EXPERT PLUS CONTROL BOX	1
2	CEL00064	LOOM COBO WHITE CON EURO LEAD	1
3	CEL00010	EURO SOCKET TO BATT POWER LEAD	1
4	CEL00031	BAT POWER LEAD CTRL BOX DIRECT	1
5	CEL00975	ORBITAL MAIN LOOM	1
6	CEL00976	ORBITAL REAR LOOM	1
7	CEL01598	ORBITAL YELLOW MARKER LOOM	1
<i>REPLACES CEL01538</i>			
8	CEL00977	ORBITAL CLAMP PROXY LOOM	1
9	CEL00767	SENSOR M18 PROX M12 PLUG	3
10	CEL00768	SENSOR M30 PROX M12 PLUG	1
11	CEL00833	ANGLE SENSOR + ARM ASSEMBLY, 120DEG, 0.5-4.5VOLT	2
12	CEL00659	30MM INDEX BUTTON	1
13	CEL00796	WARNING BUZZER SINGLE TONE	1
14	CEL01771	PANEL POSITION SWITCH	1
<i>REPLACES CEL00820</i>			
15	CEL00230	RECEIVER FILM BREAK	1
16	CEL00221	TRANSMITTER EVEN/GEAR COVER	1
16a	CEL01610	BATTERY FILM TRANSMITTER MK2	1
16b	CGD00465	TRANSMITTER MK2 PLASTIC HOUSING	1
17	CEL00222	TRANSMITTER ODD/GEAR COVER	1
17a	CEL01610	BATTERY FILM TRANSMITTER MK2	1
17b	CGD00465	TRANSMITTER MK2 PLASTIC HOUSING	1
18	CEL00193	MODULE CONSTANT CURRENT	3
19	CEL00989	DOUBLE PUSH BUTTON SWITCH	1
20	CEL01666	ORBITAL BEACON EXTENSION	1
21	CEL00292	AMBER XENON BEACON C/W LOOM	1
22	CZC04362	3MM L REMOTE CNTRL RECVR BRCKT	1
23	CEL01644	2.4 GHZ RADIO REMOTE RECEIVER	1
24	CEL01643	2.4 GHZ RADIO REMOTE TRANSMITTER	1
25	KST00097	KIT 2.4 GHZ RADIO REMOTE ORBITAL	1
26	CEL01523	ORBITAL HAND CONTROLLER	1

No.	Part No	Description	Qty
-----	---------	-------------	-----

**Electrical control Orbital [From Serial No 125776] (1185)**



No.	Part No	Description	Qty
1	CEL01601	CTRL EXPERT PLUS 3 ORBITAL	1
2	CEL00064	LOOM COBO WHITE CON EURO LEAD	1
3	CEL00010	EURO SOCKET TO BATT POWER LEAD	1
4	CEL00031	BAT POWER LEAD CTRL BOX DIRECT	1
5	CEL01676	ORBITAL MAIN LOOM MK2	1
6	CEL00976	ORBITAL REAR LOOM	1
7	CEL01598	ORBITAL YELLOW MARKER LOOM	1
REPLACES CEL01538			
8	CEL00977	ORBITAL CLAMP PROXY LOOM	1
9	CEL00767	SENSOR M18 PROX M12 PLUG	3
10	CEL00768	SENSOR M30 PROX M12 PLUG	1
11	CEL00833	ANGLE SENSOR + ARM ASSEMBLY, 120DEG, 0.5-4.5VOLT	2
12	CEL00659	30MM INDEX BUTTON	1
13	CEL00796	WARNING BUZZER SINGLE TONE	1
14	CEL01771	PANEL POSITION SWITCH	1
15	CEL00230	RECEIVER FILM BREAK	1
16	CEL00221	TRANSMITTER EVEN/GEAR COVER	1
16a	CEL01610	BATTERY FILM TRANSMITTER MK2	1
16b	CGD00465	TRANSMITTER MK2 PLASTIC HOUSING	1
17	CEL00222	TRANSMITTER ODD/GEAR COVER	1
17a	CEL01610	BATTERY FILM TRANSMITTER MK2	1
17b	CGD00465	TRANSMITTER MK2 PLASTIC HOUSING	1
18	CEL00989	DOUBLE PUSH BUTTON SWITCH	1
19	CEL01666	ORBITAL BEACON EXTENSION	1
20	CEL00292	AMBER XENON BEACON C/W LOOM	1
21	CZC04362	3MM L REMOTE CNTRL RECVR BRCKT	1
22	CEL01644	2.4 GHZ RADIO REMOTE RECEIVER	1
23	CEL01643	2.4 GHZ RADIO REMOTE TRANSMITTER	1
24	KST00097	KIT 2.4 GHZ RADIO REMOTE ORBITAL	1
25	CEL01523	ORBITAL HAND CONTROLLER	1

No.	Part No	Description	Qty
-----	---------	-------------	-----

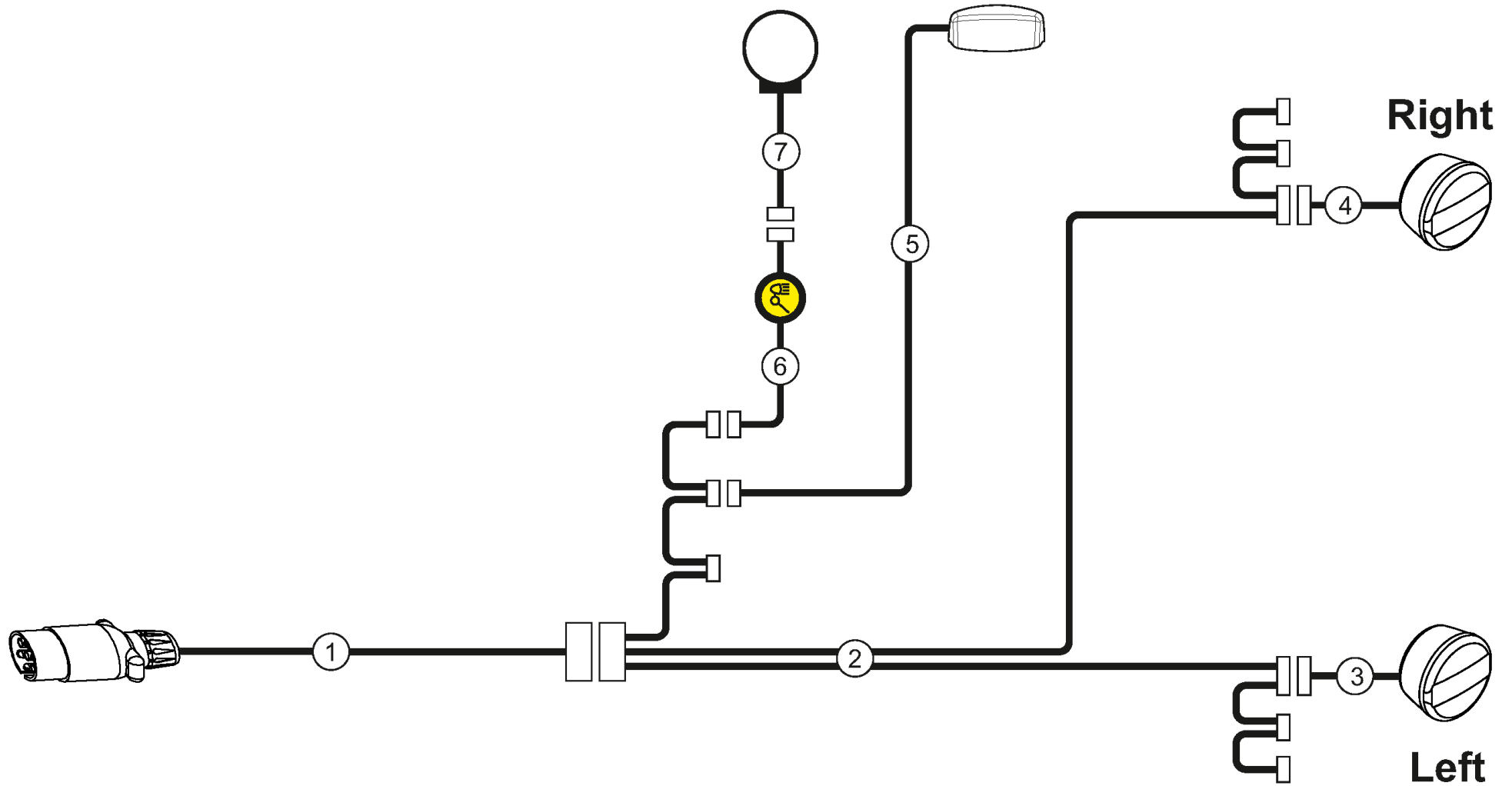
# Expert plus control unit (1075)



No.	Part No	Description	Qty
1	CEL00277	CTRL EXPERT PLUS FUSION 2/3	1
1	CEL00647	CTRL EXPERT PLUS FUS 2/3 RECON	1
1	CEL01600	CTRL EXPERT PLUS 3 FUSION	1
1	CEL01775	CTRL EXPERT PLUS 3 FUS 2/3 RECON	1
1	CEL00675	CTRL EXPERT PLUS V6	1
1	CEL00770	CTRL EXPERT PLUS V6 RECON	1
1	CEL01553	CTRL EXPERT PLUS 3 V6	1
1	CEL01774	CTRL EXPERT PLUS 3 V6 RECON	1
1	CEL00993	CTRL EXPERT PLUS ORBITAL	1
1	CEL00377	CTRL EXPERT PLUS ORBITAL RECON	1
1	CEL00734	CTRL EXPERT PLUS W2020	1
1	CEL00374	CTRL EXPERT PLUS W2020 RECON	1
1	CEL00631	CTRL EXPERT PLUS F5600	1
1	CEL00644	CTRL EXPERT PLUS F5600 RECON	1
1	CEL01555	CTRL EXPERT PLUS 3 F5600 PLUS	1
1	CEL01773	CTRL EXPERT PLUS 3 F5600 PLUS RECON	1
2	CEL00290	EXPERT PLUS CONTROL BOX SCREEN	1
3	CEL00322	SCREEN PROTECTOR EXPERT PLUS	1
4a	CEL00326	BATTERY EXPERT/EXPERT PLUS	1
4b	CEL00291	BATTERY AUTO BOX	1
5	CEL00365	CTRL UNIT CONNECTOR LOCK RING	1
6	CEL00670	CONTROL UNIT STOP SWITCH	1
7	CEL00671	STOP SWITCH CONTACT BLOCK	1
8	CEL00359	EXPERT PLUS 1 CABLE+PLATE F2/3	1
8	CEL00360	EXPERT PLUS 1 CABLE + PLATE V6	1
8	CEL00384	EXPERT PLUS 3 CABLE+PLATE F2/3	1
8	CEL00385	EXPERT PLUS 3 CABLE+PLATE V6	1
9	CEL00064	LOOM COBO WHITE CON EURO LEAD	1
9	CEL01581	POWER LEAD USA	1
<i>NORTH AMERICA ONLY</i>			
10	CEL00010	EURO SOCKET TO BATT POWER LEAD	1
11	CEL00254	RDS EXPERT UPLOAD KIT	1
12	CEL00031	BAT POWER LEAD CTRL BOX DIRECT	1
13	CPL00007	VACUUM PAD FLAT BACK	1
14	KST00070	CONTROL UNIT MOUNTING BRACKETS	1
15	CEL00098	CON HSG TAB 2 WAY AMP 180924-0	1
16	CEL00027	TERM CRIMP TAB AMP NO 42565-2	1
17	CEL00382	EXPERT PLUS 1 KEYPAD MEMBRANE	1
17	CEL00383	EXPERT PLUS 3 KEYPAD MEMBRANE	1
18	CEL01603	OVERLAY EXPERT PLUS 3 V6	1
18	CEL01604	OVERLAY EXPERT PLUS 3 F5600/PLUS	1
18	CEL01605	OVERLAY EXPERT PLUS 3 FUSION	1
19	CEL00343	OVERLAY EXPERT PLUS F560	1
19	CEL00344	OVERLAY EXPERT PLUS FUSION 2	1
19	CEL00345	OVERLAY EXPERT PLUS V660	1
19	CEL00995	OVERLAY EXPERT PLUS ORBITAL	1
19	CEL01577	OVERLAY EXPERT PLUS W2020	1
20	CEL00325	SPEAKER EXPERT PLUS	1
21	CEL00368	EPROM EXPERT PLUS	1

No.	Part No	Description	Qty
21	CEL00398	EPROM CANBUS EXPERT PLUS 1	1
<i>USED ON FUSION 2 BARREL WRAP (NRF) EXPERT PLUS CONTROL BOX ONLY</i>			
22	CEL01626	RUBBER USB COVER EXPERT PLUS 3	1
23	CEL01761	USB MEMORY DRIVE EXPERT PLUS 3	1
24	CEL01753	CONTROL UNIT STOP SWITCH NUT	1
25	CEL00122	CON 9 WAY D PLUG MALE	1
26	CEL00315	PLUG 9 WAY D-TYPE (10 PACK)	1
27	CEL00316	BACKSHELL 9 WAY D-TYPE	1
28	CEL00664	433 MHZ REMOTE HAND PIECE R/C	1
29	CEL00665	RADIO REMOTE RECEIVER	1
30	CEL01643	2.4 GHZ RADIO REMOTE TRANSMITTER	1
31	CEL01644	2.4 GHZ RADIO REMOTE RECEIVER	1
32	CEL01523	ORBITAL HAND CONTROLLER	1
33	CEL00819	WIRED REMOTE W2020	1

**Electrical lighting (1039)**





No.	Part No	Description	Qty
1	CEL00069	FRONT LIGHTING LOOM <i>LOOM WITH EURO PLUG (MUST USE CEL01505 ADAPTER FOR NORTH AMERICAN MARKETS)</i>	1
1a	CEL01505	LIGHT LOOM ADAPTER (USA) <i>SAE J560 ADAPTER REQUIRED FOR NORTH AMERICAN MARKETS ONLY (USED WITH CEL00069)</i>	1
1	CEL01588	FRONT LIGHTING LOOM (USA) <i>LOOM WITH SAE J560 PLUG FOR NORTH AMERICAN MARKETS ONLY (NO ADAPTER REQUIRED)</i>	1
2	CEL00985	REAR LIGHTING LOOM ORBITAL	1
3	CEL01582	TAIL LIGHT LEFT LED ORBITAL	1
4	CEL01583	TAIL LIGHT RIGHT LED ORBITAL	1
5	CEL00823	REGISTRATION LIGHT	1
6	CEL01608	WORK LAMP LOOM AND SWITCH <i>FROM SERIAL No 125286 ONWARDS</i>	1
7	CEL01529	LED WORK LAMP <i>FROM SERIAL No 125286 ONWARDS</i>	1

No.	Part No	Description	Qty
-----	---------	-------------	-----

## Camera & monitor kit (1079)

1



2



3



4



5a



5b



6



7



8



9



9a



10



11



12



13

Kit containing these 3 items

14



15



16



17

Kit containing these 3 items

18



19



20



21



22



23

Kit containing all of these items

No.	Part No	Description	Qty
1	CEL00961	CAMERA MALE PHONO CONNECTOR	1
2	CEL01371	RCA PHONO SOCKET FEMALE 2WAY	1
3	CEL01593	DOUBLE PHONO ADAPTOR	1
4	CEL01630	FUSE 250MA 5X20MM GLASS	1
4	CEL01631	FUSE 500MA 5X20MM GLASS	1
5a	CEL01609	ISOCAN - FENDT CAMERA ADAPTOR	1
5b	CEL01747	4 PIN - FENDT CAMERA ADAPTER	1
6	CEL01520	SECOND CAMERA POWER ADAPTER	1
7	CEL01585	PHONO TO CAMERA CONNECTOR	1
8	CEL01532	TWIN CAMERA ADAPTER	1
9	KST00074	CAMERA MOUNTING KIT	1
<i>INCLUDES CONNECTOR CABLE (ITEM 9a)</i>			
9a	CEL00034	LOOM POWER CCTV & AUTO CONT'	1
10	CEL00903	CAMERA-ISOCAN SIGNAL CABLE	1
11	CEL00900	COLOUR CAMERA MK1	1
12	CEL01541	CAMERA EXTENSION 5M HIGH-FLEX	1
13	KST00064	2ND CAMERA KIT ISOCAN	1
<i>INCLUDES ITEMS 10, 11 &amp; 12</i>			
14	CEL01506	CAMERA MONITOR	1
15	CEL01550	CAMERA EXTENSION CABLE 10M	1
15	CEL01556	CAMERA EXTENSION CABLE 3M	1
16	CEL01533	COLOUR CAMERA MK2	1
17	KST00068	CAMERA & MONITOR KIT	1
<i>INCLUDES ITEMS 14, 15 &amp; 16</i>			
18	CEL01655	QUAD CAMERA MONITOR	1
19	CEL00064	LOOM COBO WHITE CON EURO LEAD	1
20	CEL01550	CAMERA EXTENSION CABLE 10M	2
21	CEL01533	COLOUR CAMERA MK2	2
22	ATR00047	DOUBLE CAMERA BRACKET COMP ASSY	1
23	KST00100	DUAL CAMERA COMP KIT FRT MOWER	1
<i>INCLUDES ITEMS 18, 19, 20, 21 &amp; 22</i>			

No.	Part No	Description	Qty
-----	---------	-------------	-----

# Decals 1 (1070)

 <p>Decal_CST00006</p>	 <p>Decal_CST00014</p>	 <p>Decal_CST00017</p>	 <p>Decal_CST00019</p>	 <p>Decal_CST00022</p>
 <p>Decal_CST00032</p>	 <p>Decal_CST00060</p>	 <p>Decal_CST00110</p>	 <p>Decal_CST00111</p>	 <p>Decal_CST00113</p>
 <p>Decal_CST00114</p>	 <p>Decal_CST00115</p>	 <p>Decal_CST00116</p>	 <p>Decal_CST00135</p>	 <p>Decal_CST00137</p>
 <p>Decal_CST00154</p>	 <p>Decal_CST00256</p>	 <p>Decal_CST00901</p>	 <p>Decal_CST00904</p>	 <p>Decal_CST00923</p>

No.	Part No	Description	Qty
1	CST00006	DECAL FREEFLOW RETURN TO TANK	1
2	CST00014	DECAL WARNING! ROTATING ELEMENT	1
3	CST00017	DECAL ROTATING ELEMENTS 214	4
4	CST00019	DECAL CRUSHED HAND MCH-005	3
5	CST00022	DECAL FILM PATH 998 MCH-014	1
6	CST00032	DECAL LIFTING HOOK	2
7	CST00060	DECAL GREASE GUN MCH 004	13
8	CST00110	DECAL READ MANUAL (HORIZONTAL)	1
9	CST00111	DECAL HYD WARNING (HORIZONTAL)	3
10	CST00113	DECAL REMOVE KEY (HORIZONTAL)	2
11	CST00114	DECAL CLOSE PROTECTIVE	2
12	CST00115	DECAL ACCUMULATOR PRESSURE	4
13	CST00116	DECAL DANGER ROTATING RING	2
14	CST00135	DECAL FUSION HOSING ROAD FIELD	1
15	CST00137	DECAL FUSION DISPENSER PARK	1
16	CST00154	DECAL RING ORIENTATION	2
17	CST00256	DECAL CHECK PRESSURE & NUTS DAILY ORBITAL	2
18	CST00901	DECAL TIE DOWN	4
19	CST00904	DECAL LOAD SENSING	1
20	CST00923	DECAL JACKING POINT	2

No.	Part No	Description	Qty
-----	---------	-------------	-----

**Decals 2 (1071)**



CST00831



CST00841



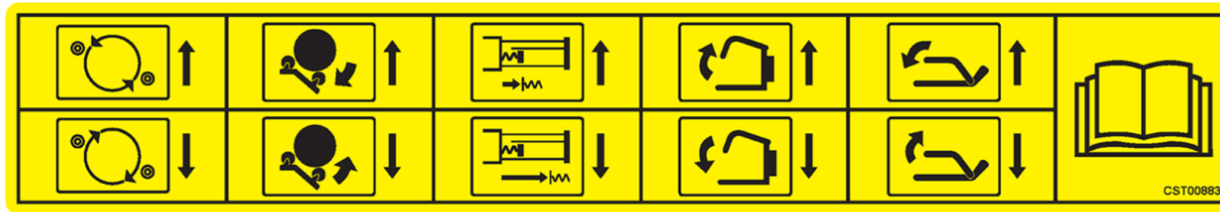
CST00842



CST00868



CST00877



CST00883

No.	Part No	Description	Qty
1	CST00831	MARKER BOARD STICKER 282X282	4
1a	CZB04699	1.5MM L REFLECTOR PLATE ORBITAL	4
1b	CFA00052	SETSCREW M8X20 Z/P	8
1c	CFA00132	NUT M8 NYLOC Z/P	8
1d	CFA00147	WASHER FLAT 8MM ZP	16
2	CST00841	DECAL LH SIDE "MCHALE ORBITAL"	1
3	CST00842	DECAL RH SIDE "MCHALE ORBITAL"	1
4	CST00868	DECAL "MCHALE ORBITAL" 1010X125	2
5	CST00877	ELECTRICAL HAZARD WARNING CONTROL BOXES	1
6	CST00883	DECAL HYD VALVE ACTUATION ORBITAL	1

No.	Part No	Description	Qty
-----	---------	-------------	-----