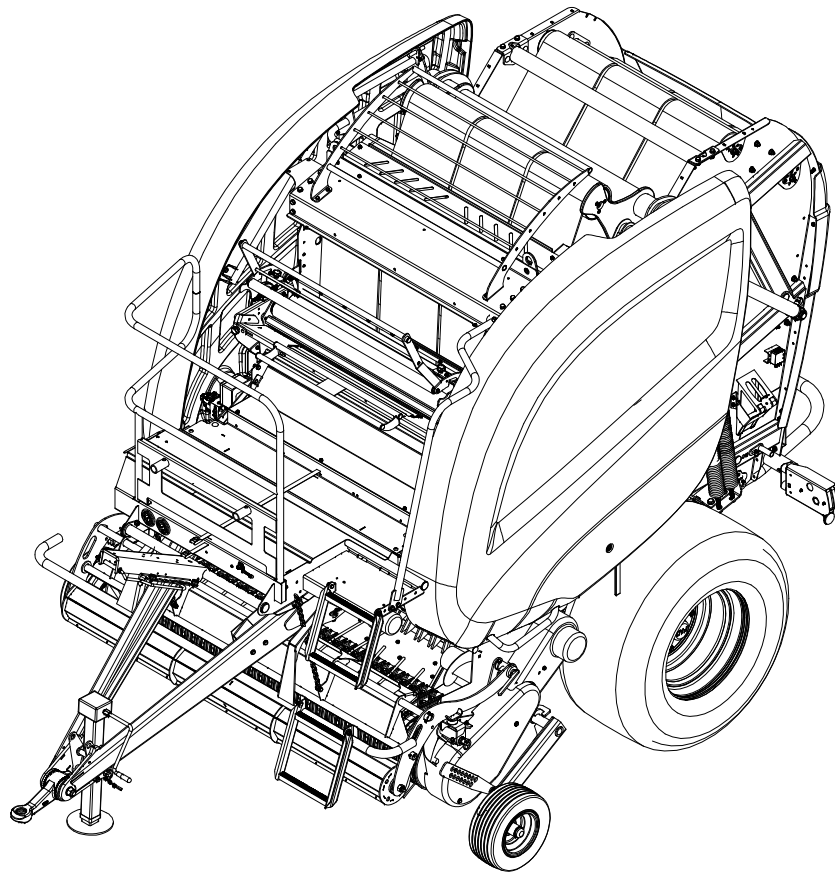


McHale V6



QUALITY

I.S. EN ISO 9001:2015

NSAI Certified

V6740-V6750 Spare Parts Book

McHale,
Ballinrobe,
Co. Mayo, Ireland.

Tel: +353 94 9520300

Fax: +353 94 9520356

Email: sales@mchale.net

Website: www.mchale.net

This page is intentionally left blank

Introduction

The **McHale V6740-V6750** which you have purchased has been developed through years of constant research and development. Given proper care and attention the **V6740-V6750** will give years of reliable and dependable performance. However it is important that the operators manual is read and fully understood to achieve this, **before** the machine is operated. As part of this philosophy it is vital to use only **genuine McHale** replacement parts, as these are manufactured to the same high standard as the original machine. These may be obtained through your **McHale** dealer.

If any part of this manual is not fully understood, please contact your **McHale** dealer who will be able to answer any questions or queries that you might have. It is important to quote the machine serial number when requiring spare parts or technical assistance. Space is provided below to record the machine details:

Serial number:	
Year of manufacture:	
Date of delivery:	

If you require further copies of this spare parts manual please
quote part number CLT01193

Note: Parts described as left and right are done so according to the direction that the machine normally travels in.

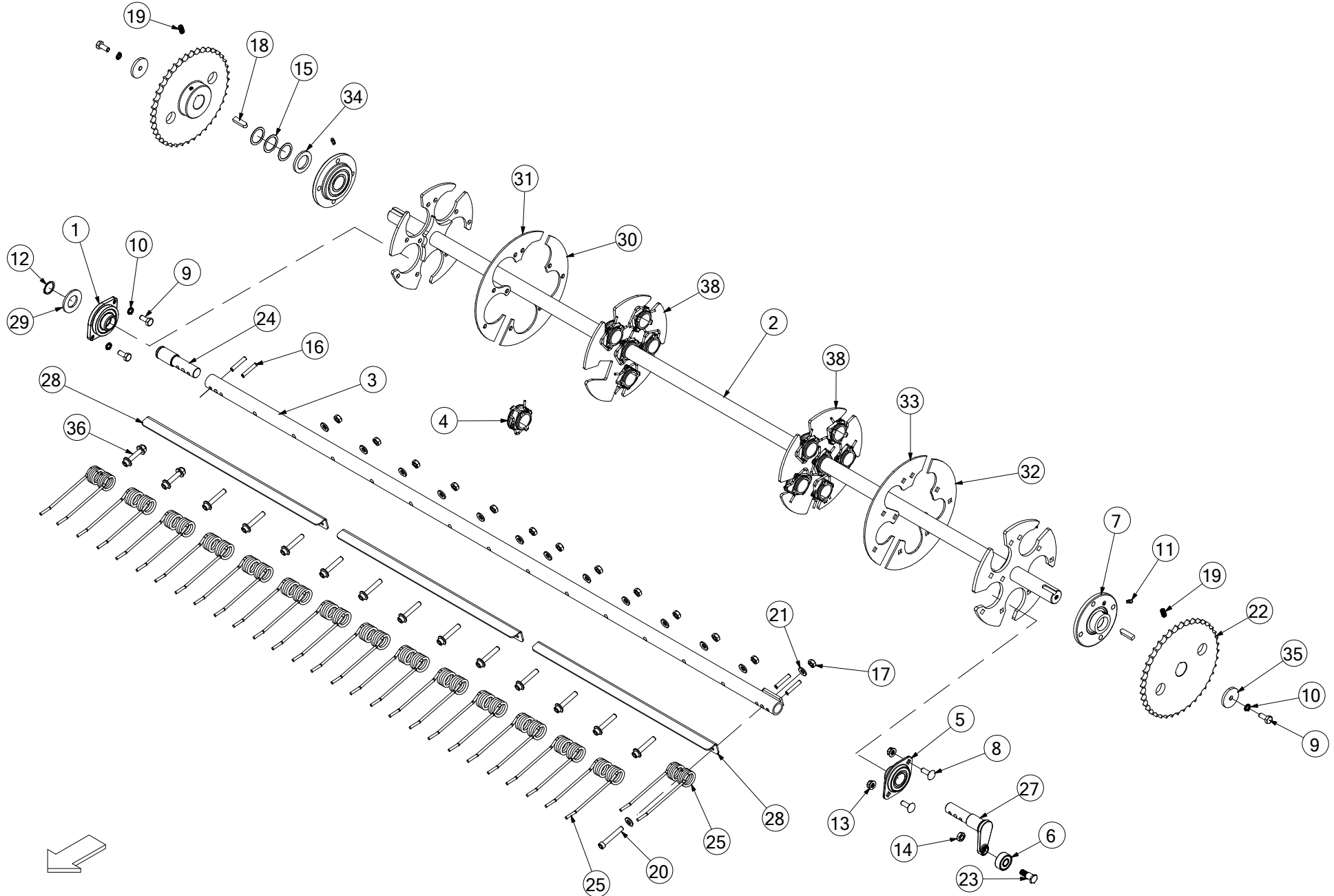
Note: Due to a policy of continuous product development and improvement *McHale Engineering* reserve the right to alter machine specifications without prior notice.

Contents

Section	Page	Document	Section	Page	Document
Pick-Up Unit General			Steps & platform (1019)	46	SPD01019
Pick-up reel shaft (805)	6	SPD00805	Bale damper [From Serial No 803257 to 809032] (999)	48	SPD00999
Pick-up reel shaft flex [Camless] (977)	8	SPD00977	Bale damper [From Serial No 809033] (1135)	50	SPD01135
Pick-up reel chassis (804)	10	SPD00804	Axle & wheels (773)	52	SPD00773
Pick-up reel chassis flex [Camless] (978)	12	SPD00978	Axle braked (838)	54	SPD00838
Pick-up 4 (896)	14	SPD00896	Axle Air-brake [From Serial No 802238 On] (951)	56	SPD00951
Pick-up 5 (897)	16	SPD00897	Handbrake (691)	58	SPD00691
Crop roller [On Fusion-F5-V6 from Serial No 655681-706661-800616] (775)	18	SPD00775	Air brake kit (695)	60	SPD00695
Crop roller double (966)	20	SPD00966	Chassis (1117)	62	SPD01117
Crop roller triple [From Serial No, (F5) 712699 & (V6) 805523] (1134)	22	SPD01134	Chains & Belts (1029)	64	SPD01029
Pick-Up Unit V6740			Panels (1118)	66	SPD01118
Pick-up 3 (900)	24	SPD00900	Marker boards & reflectors (1131)	68	SPD01131
Pick-up drop floor suspension [From Serial No 710802 (F5400) & 803233 (V640)] (991)	26	SPD00991	Bale chamber		
Pick-Up Unit V6750			Front chamber LHS 1 (1119)	70	SPD01119
Pick-up 3 (899)	28	SPD00899	Front chamber LHS 2 (1120)	72	SPD01120
Pick-up drop floor suspension (971)	30	SPD00971	Front chamber RHS (1121)	74	SPD01121
Pick-up drop floor suspension select (976)	32	SPD00976	Rear chamber door 1 (1122)	76	SPD01122
PTO shaft & Gearbox			Rear chamber door 2 [From V6 Serial No 802078 + Vario 900072] (919)	78	SPD00919
PTO shaft [WWE2480]	34	SPD00491	Moving roller (854)	80	SPD00854
Gearbox 1 (605)	36	SPD00605	Tension arm rollers (858)	82	SPD00858
Gearbox 2 [540 RPM] (135)	38	SPD00135	Top drive roller (639)	84	SPD00639
Gearbox 3 [1000 RPM] (1132)	40	SPD01132	Top cleaning auger (963)	86	SPD00963
Chassis			Bottom drive roller (640)	88	SPD00640
Drawbar (952)	42	SPD00952	Mid cleaning auger (646)	90	SPD00646
Screw type jack (349)	44	SPD00349	Small idle roller (645)	92	SPD00645
			Top pressed roller [From Serial No 800350] (770)	94	SPD00770
			Bottom pressed roller (643)	96	SPD00643

Section	Page	Document	Section	Page	Document
Slatted roller (641)	98	SPD00641			
Lower rear door rollers (1026)	100	SPD01026			
Rear door rollers (859)	102	SPD00859			
Netter					
Netter unit 1 (1123)	104	SPD01123			
Netter unit 2 (1124)	106	SPD01124			
Net tensioner (1125)	108	SPD01125			
Twiner					
Twiner 1 [Available in selected markets only] (1034)	110	SPD01034			
Twiner 2 [Available in selected markets only] (1035)	112	SPD01035			
Hydraulic & Electrical					
Hydraulic layout (1030)	114	SPD01030			
Hydraulic valve door tension (1059)	116	SPD01059			
Valve knives & floor [Used on all F5500 & on V660 from Serial No 800276+] (801)	118	SPD00801			
Hydraulic rams pick-up reel CRA00186 (182)	120	SPD00182			
Hydraulic rams - roller & net reset rams (846)	122	SPD00846			
Grease pipes V6 (871)	124	SPD00871			
Oil system 1 (619)	126	SPD00619			
Oil & Grease fittings (553)	128	SPD00553			
Electrical control V6 [Serial No 805001 to 808431] (1027)	130	SPD01027			
Electrical control V6 [From Serial No 808432] (1126)	132	SPD01126			
Expert plus control unit (1075)	134	SPD01075			
Electrical lighting kit [From Serial No 801989] (907)	136	SPD00907			
Camera & monitor kit (1079)	138	SPD01079			
Decals					
Decals 1 (1128)	140	SPD01128			
Decals 2 (1129)	142	SPD01129			

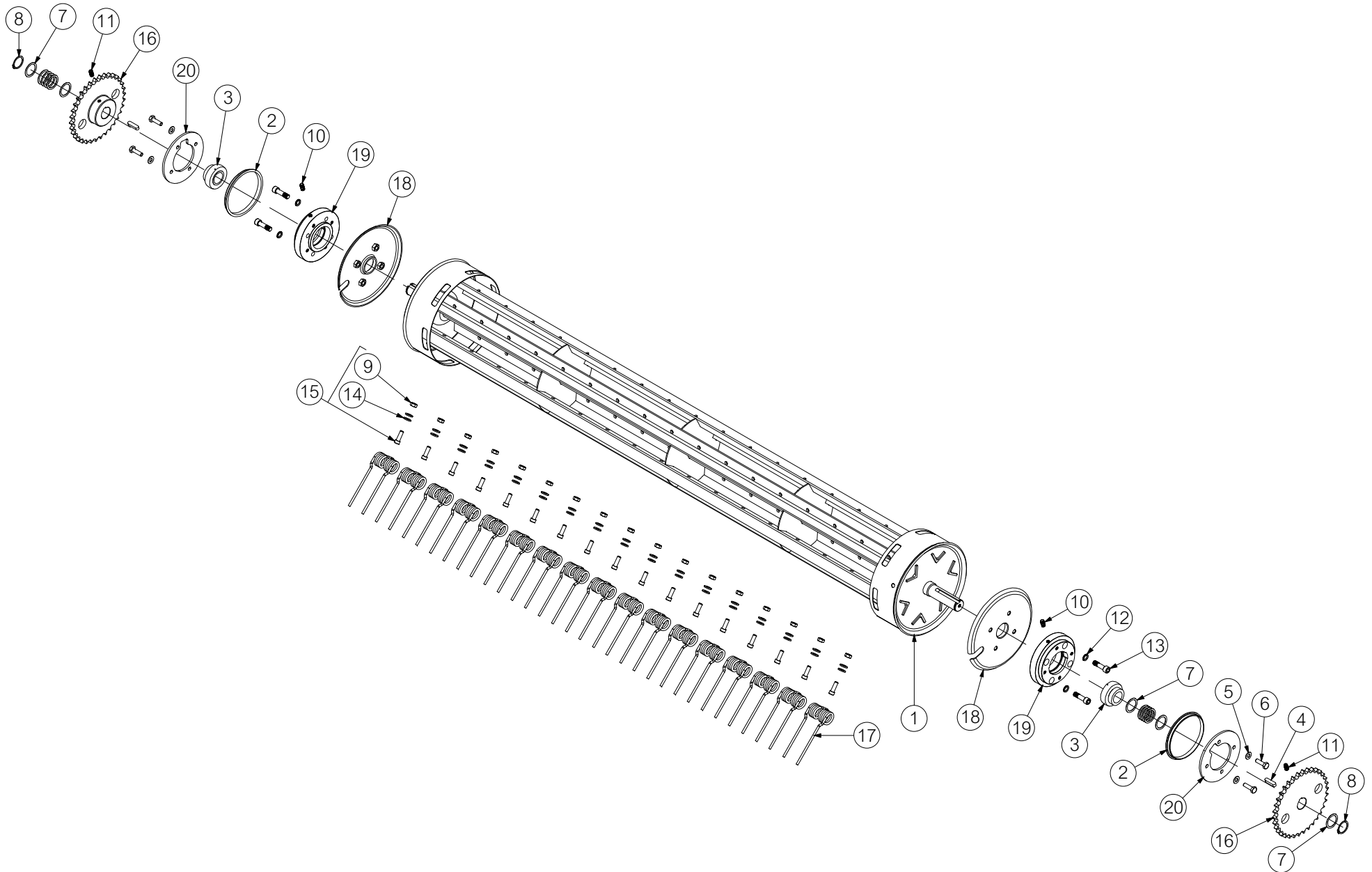
Pick-up reel shaft (805)



No.	Part No	Description	Qty
1	ACH02226	REEL BEARING FLOATING ASSY	5
2	ACN00046	PICK UP REEL SHAFT ASSY 5 BAR	1
<i>5 TINE BAR REEL (OLDER 4 TINE BAR REEL MACHINES SHOULD ORDER ACH00309 INSTEAD)</i>			
3	ALA00046	TINE BAR ASSY REEL	5
4	ALA00177	BUSHING CENTER (ASSY) REEL	12
5	CBR00072	BEARING INA 2 BOLT RAE 30 NPPB	5
6	CBR00081	BEARING CAM INA LR 5202 NPPU	5
7	CBR00092	BEARING CIRCR FLNGE INA PME 35	2
8	CFA00017	SETSCREW M10X30 CUP SQ Z/P	10
9	CFA00024	SETSCREW M10X25 Z/P	12
10	CFA00137	WASHER SPRING 10MM H.D Z/P	12
11	CFA00217	GREASE NIPPLE M6X1.0 ST	2
12	CFA00402	CIRCLIP 30MM EXTERNAL	5
13	CFA00443	NUT M10 SERRATED FLANGE (DIN 6923)	10
14	CFA00446	NUT M12 HEXAGON LOCK/HALF NUT	5
15	CFA00512	SHIM 35X45X1.0 Z/P	3
16	CFA00538	SPIROL PIN 8X45 S/C	20
17	CFA00541	NUT M10 BRINKS SELF LOCKING	5
18	CFA00239	KEY 10X8X40 STRAIGHT	2
19	CFA00625	M10 x 20 GRUBSCREW	2
20	CFA00725	BOLT M10X65 SOC CAP	5
21	CFA02244	TINE BOLT WASER FOR P/U REEL	10
22	CMH00621	PLATWEHEEL 3/4" PITCH 40 T	2
23	CMH00672	BOLT SHOULDER 3/4" H	5
24	CMH00843	SHAFT 30X125 STEPPED & C-HOLES	5
25	CTN00008	TINE PICK UP REEL BALER	75
27	CTP00251	CAM AXLE (FORGED)	5
<i>REPLACES ACH00310 CAM AXLE WELD</i>			
28	CZC05674	3MM L PU TINE BAR ANGLE 5 HOLE W/T SLOTS	15
<i>OLDER MACHINES USING 1x ITEM 38 USED 5x CZC02139 & 5x CZC02140 UP TO SERIAL No 709518 (F5), 802179 (V6)</i>			
29	CZD02325	4MM L WASHER 30X58X4 Z/P	5
30	CZD04424	4MM L GRASS GUARD 5 TINE BAR REEL	1
31	CZD04425	GRASS GUARD 5 TINE BAR REEL	1
<i>USED ON 5 TINE BAR REEL ONLY (SHOWN)</i>			
31	CZD02285	4MM L REEL GRASS PLATE 4 TINE	4
<i>USED ON 4 TINE BAR REEL ONLY</i>			
32	CZD04701	4MM L REEL SHAFT BOLT ON END PLATE	1
33	CZD04702	4MM L REEL SHAFT BOLT ON END PLATE	1
34	CZE00156	5MM L WASHER 35X55X5 Z/P	1
35	CZF02215	6MM L WASHER 10.5X50X6 Z/P	2
36	KST00058	KIT BOLTS FOR PICKUP TINES X10	7
<i>INCLUDES BOLTS, NUTS & WASHERS (SOLD IN MULTIPLES OF 10)</i>			
38	APU00005	5 TINE CENTER DISK REPAIR KIT	2
<i>(INCLUDES ITEM 4) QTY WAS 1x PRIOR TO SERIAL No 709518 (F5), 802179 (V6)</i>			

No.	Part No	Description	Qty
-----	---------	-------------	-----

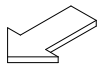
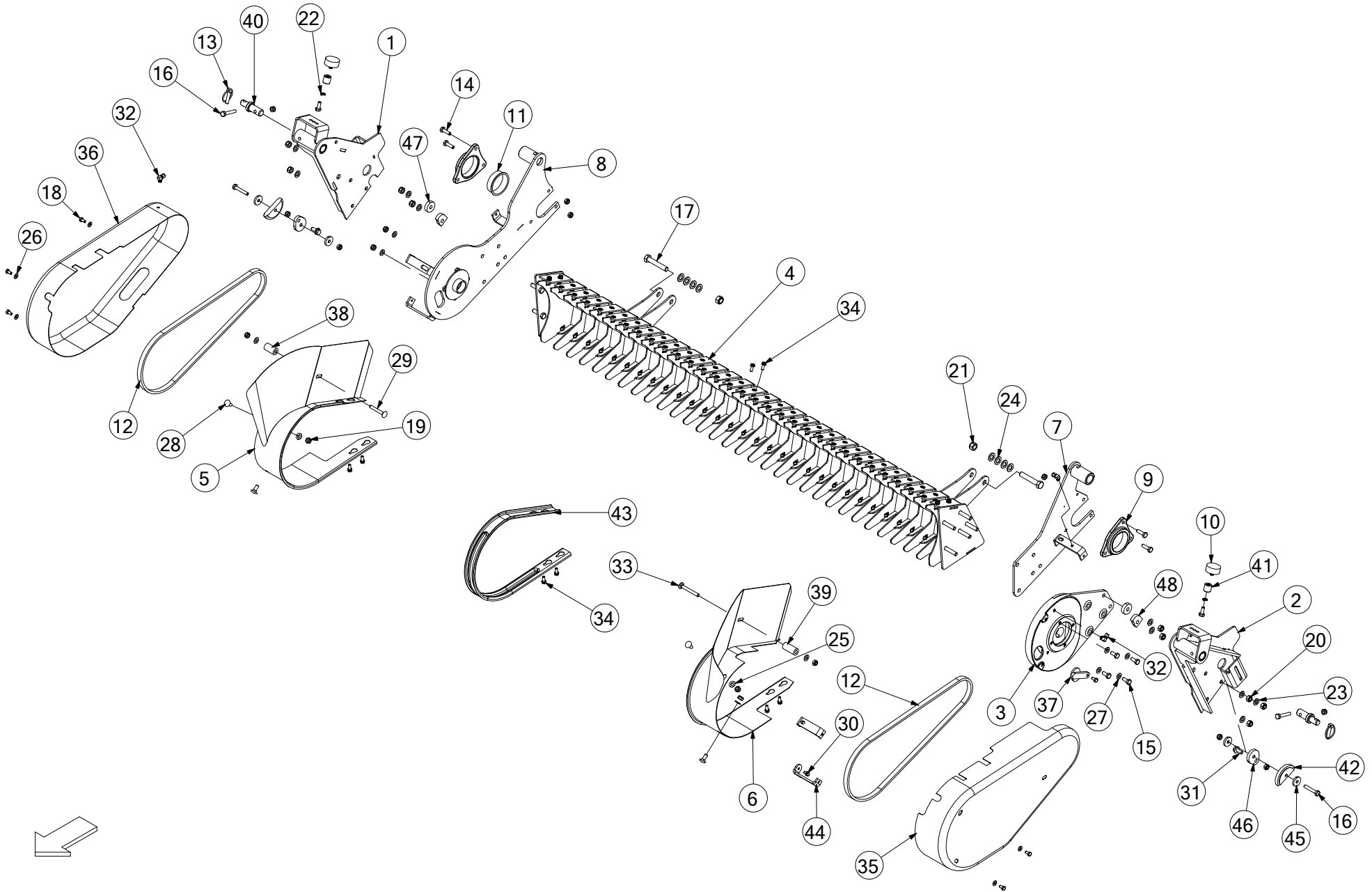
Pick-up reel shaft flex [Camless] (977)



No. Part No	Description	Qty
1 KST00099	CAMLESS REEL DRUM RETROFIT KIT <i>UP TO SERIAL No 664795 (FUSION 3), 712937 (F5), 805675 (V6) & 900611 (VARIO)</i>	1
1 APU00010	CAMLESS REEL ROTOR WELD ASSEM <i>FROM SERIAL No 664796 (FUSION 3), 712938 (F5), 805676 (V6) & 900612 (VARIO)</i>	1
2 CBR00327	135MM FLANGE BEARING (GFM 135140-10.5)	2
3 CBR00328	35MM SPHERICAL BEARING GRAE 35 NPPB <i>UP TO SERIAL No 664795 (FUSION 3), 712937 (F5), 805675 (V6) & 900611 (VARIO)</i>	2
3 CBR00361	40MM SPHERICAL BEARING GRAE 40 NPPB <i>FROM SERIAL No 664796 (FUSION 3), 712938 (F5), 805676 (V6) & 900612 (VARIO)</i>	2
4 CFA00046	KEY 10X8X35 <i>REPLACES CFA00239 (KEY 10X8X40)</i>	2
5 CFA00251	WASHER SKM10	8
6 CFA00311	SETSCREW M10X35 Z/P	8
7 CFA00512	SHIM 35X45X1.0 Z/P <i>UP TO SERIAL No 664795 (FUSION 3), 712937 (F5), 805675 (V6) & 900611 (VARIO)</i>	14
7 CFA00265	SHIM 40X50X1.0 <i>FROM SERIAL No 664796 (FUSION 3), 712938 (F5), 805676 (V6) & 900612 (VARIO)</i>	14
8 CFA00514	CIRCLIP 35MM EXTERNAL DIN 471 <i>UP TO SERIAL No 664795 (FUSION 3), 712937 (F5), 805675 (V6) & 900611 (VARIO)</i>	2
8 CFA00551	CIRCLIP 40MM EXTERNAL DIN 471 <i>FROM SERIAL No 664796 (FUSION 3), 712938 (F5), 805676 (V6) & 900612 (VARIO)</i>	2
9 CFA00541	NUT M10 BRINKS SELF LOCKING <i>PART OF KIT (ITEM 15)</i>	102
10 CFA00550	ROTOR BEARING GREASE FITTING 6MM X 1/8" M/M	2
11 CFA00625	M10 x 20 GRUBSCREW	2
12 CFA00799	WASHER M12 NORDLOC	8
13 CFA01095	BOLT M12X45 SOC CAP ZP 10.9	8
14 CFA02244	TINE BOLT WASER FOR P/U REEL <i>PART OF KIT (ITEM 15)</i>	204
15 KST00065	TINE BOLT KIT SOC CAP (M10X30) <i>INCLUDES NUTS & WASHERS (ITEMS 9 & 14) SOLD IN MULTIPLES OF 10</i>	11
16 CMH01122	PLATEWEHEEL 3/4 PITCH 34T (35MM BORE) <i>UP TO SERIAL No 664795 (FUSION 3), 712937 (F5), 805675 (V6) & 900611 (VARIO)</i>	2
16 CMH01908	PLATEWEHEEL 3/4 PITCH 34 T (40MM BORE) <i>FROM SERIAL No 664796 (FUSION 3), 712938 (F5), 805676 (V6) & 900612 (VARIO)</i>	2
17 CTN00025	TYNE CAMLESS REEL	102
18 CTP00467	CAMLESS REEL GRASS CENTER DISK	2
19 CTP00490	FLEX CAMLESS PIVOT BUSH (35MM BRG) <i>UP TO SERIAL No 664795 (FUSION 3), 712937 (F5), 805675 (V6) & 900611 (VARIO)</i>	2
19 CTP00609	CAMLESS PIVOT BUSH (40MM BEARING) <i>FROM SERIAL No 664796 (FUSION 3), 712938 (F5), 805676 (V6) & 900612 (VARIO)</i>	2
20 CZF07489	6MM L COVER PLATE FLEXI CAMLESS	2

No. Part No	Description	Qty
-------------	-------------	-----

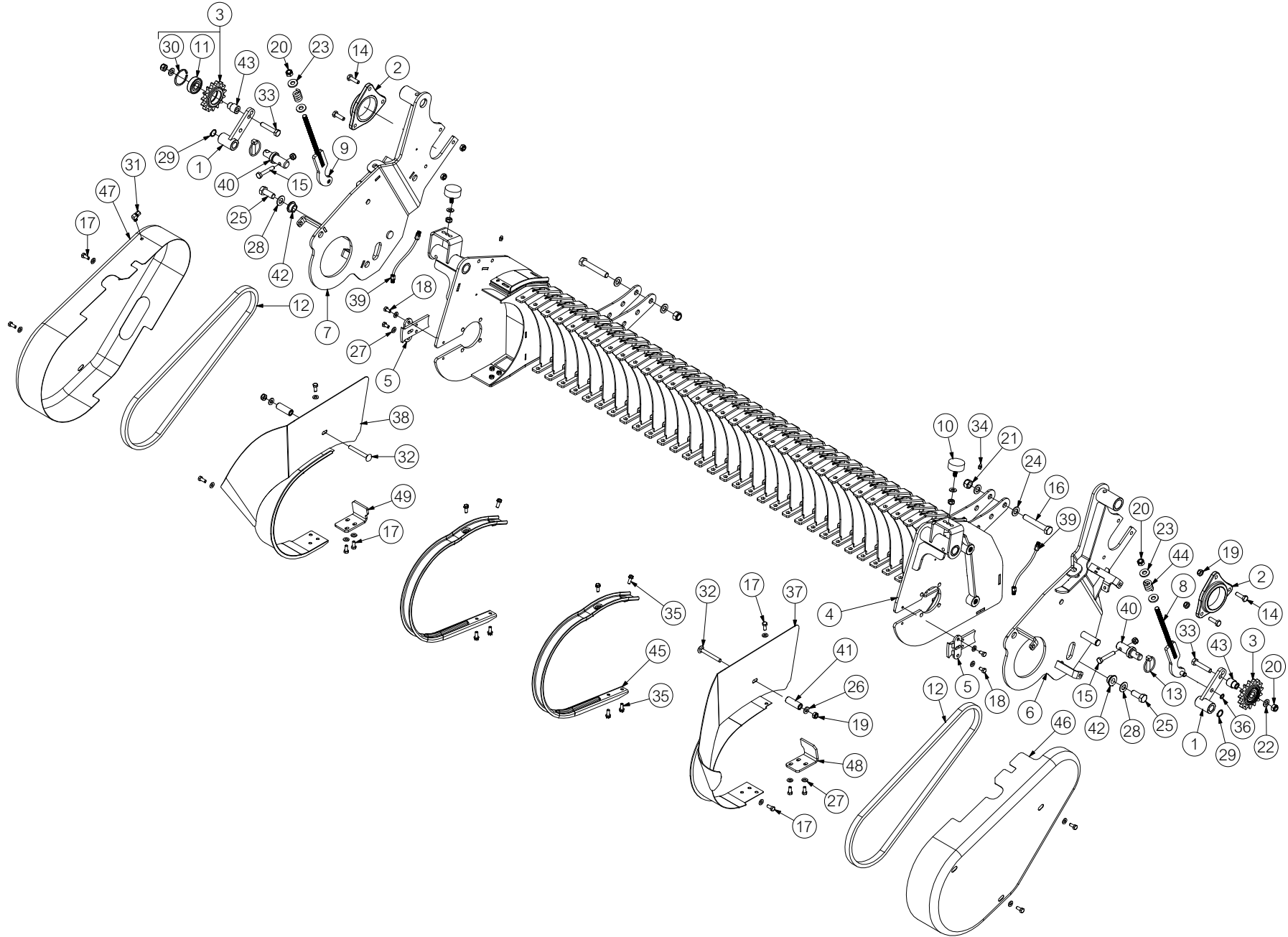
Pick-up reel chassis (804)



No.	Part No	Description	Qty
1	ACH00298	REEL WELD ASSY OUTER (RIGHT)	1
2	ACH00301	REEL WELD ASSY OUTER (LEFT)	1
3	ACH00308	CAM TRACK ASSY	1
<i>INCLUDES ITEMS 15, 27, 30, 44 & CTP00252</i>			
3	CTP00252	CAM TRACK CAST	1
3	ACH00354	CAM TRACK (DUTCH)	1
<i>FOR DUTCH MACHINES ONLY</i>			
4	ACH01004	REEL BACK PLATE WELD ASSY	1
5	ACH02315	OUTER BAND RHS	1
6	ACH02316	OUTER BAND LHS	1
7	ACH02351	REEL INNER BRACKET LEFT FUSION II	1
8	ACH02352	REEL INNER BRACKET RIGHT FUSION II	1
9	ALA00314	PICKUP REEL PIVOT BRACKET KIT	1
<i>KIT CONTAINS 2 HOUSINGS & 2 IIGUS BEARINGS (ITEM 11)</i>			
10	CBE00182	BUFFER RUBBER 50X21 M10X13	2
11	CBR00274	BEARING IGLIDUR GFM-7680-25	2
12	CCH02026	CHAIN ASA60H 3/4" 78 INC LINK	2
<i>(IF AUGER SPROCKET IS 19T USE AS IS & IF AUGER SPROCKET IS 15T REMOVE 2 LINKS)</i>			
13	CFA00005	LINCH PIN 10MM	2
14	CFA00016	BOLT M10X35	4
15	CFA00024	SETSCREW M10X25 Z/P	6
16	CFA00027	BOLT M10X60 Z/P	4
17	CMH02848	PIN CLEVIS 16X85 + DIA 4 C.HOLE	2
<i>REPLACES M16X90 BOLT CFA00040</i>			
18	CFA00101	SETSCREW M8X16 Z/P	7
19	CFA00123	NUT M10 NYLOC	20
20	CFA00124	NUT M12 NYLOC	10
21	CFA00450	SPLIT PIN 4X36 ZP	2
<i>REPLACES M16 NYLOC NUT CFA00128</i>			
22	CFA00137	WASHER SPRING 10MM H.D Z/P	2
23	CFA00138	WASHER FLAT 12MM Z/P	10
24	CFA00140	WASHER FLAT 16MM Z/P	8
25	CFA00201	WASHER FLAT 10 MM Z/P	6
26	CFA02414	8MM SKB WASHER	6
<i>REPLACES SKM8 WASHER CFA00249</i>			
27	CFA00251	WASHER SKM10	8
28	CFA00442	SETSCREW M10X25 CUP SQ	4
29	CFA00474	BOLT M10X70 CUP SQUARE ZP	1
30	CFA00492	SETSCREW M8X12 FLANGED Z/P	2
31	CFA00520	SETSCREW M10X25 FLD ZP	2
32	CFA00542	OILER FITTING 90 DEG 1/8" BSP	3
<i>FITTING WITH NUT & OLIVE (USED ON FUSION ONLY)</i>			
32	CFA02253	90 DEG. 1/8" 4MM QUICK CONNECTOR	3
<i>PUSH-IN FITTING (USED ON F5 & V6 ONLY)</i>			
33	CFA00546	BOLT M10X85 CUP HEAD SQ Z/P	1
34	CFA00766	SETSCREW M8X20 FLANGED DIN6921 Z/P	130
34a	CFA00764	INSERT THREADED M8 (REEL)	130
<i>REPLACEMENT THREADED INSERTS FOR ITEM 4 (IF THREADING GETS DAMAGED)</i>			
35	CGD00034	GUARD REEL LEFT HAND	1
36	CGD00036	GUARD REEL RIGHT SIDE	1
37	CGD00050	CAM TRACK BLANKING CAP	1

No.	Part No	Description	Qty
38	CMH00740	BUSH 12X25X45	1
39	CMH00741	BUSH 12X25X55	1
40	CMH01035	PIN 25X97 AND 12MM CH (Z/P)	2
41	CMH01088	BUSH 10X25X25 THREADED Z/P	2
42	CPL00043	PLASTIC CHAIN TENSIONER (REEL)	2
43	CTP00048	BAND PICK UP REEL (BALER)	29
44	CZF04369	6MM L CAM TRACK BRAC	2
45	CZF09260	6MM L WASHER CAMTRACK CHAIN TENSIONER	4
<i>REPLACES CZF05111</i>			
46	CZH02907	10MM L WASHER 10X50 FLAT SIDE ZP	2
47	CZI02045	12MM L WASHER 39.5X12.5X12	2
48	CZI02046	12MM L WASHER DOWEL	2

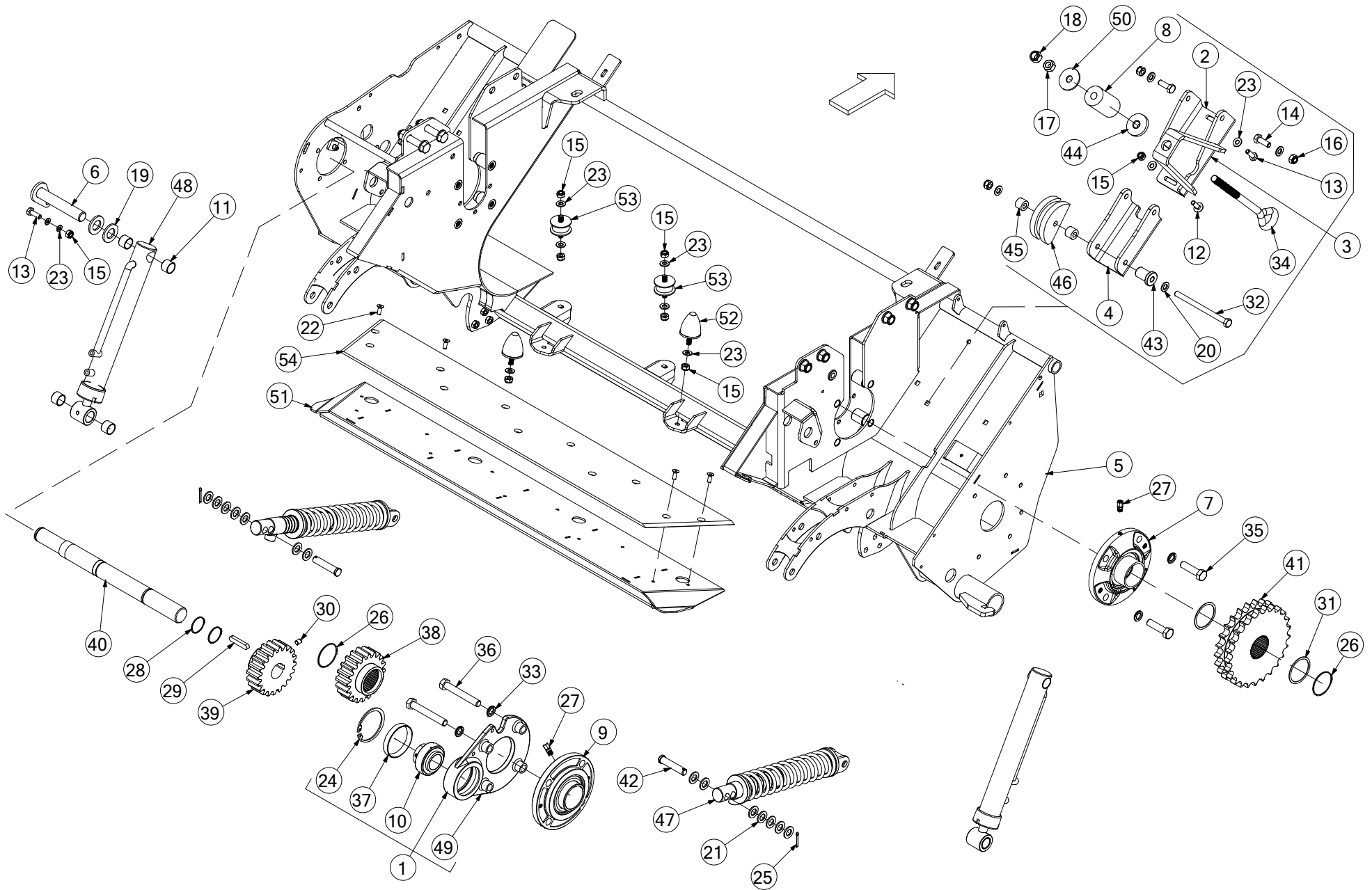
Pick-up reel chassis flex [Camless] (978)



No.	Part No	Description	Qty
1	ACH02939	CHAIN TENSIONER ARM WELD ASSEM (FLEXI)	2
2	ALA00285	REEL PIVOT BRACKET IGIDILUR	2
3	ALA00700	TENSIONER SPROCKET ASSEMBLY V6	2
<i>INCLUDES ITEMS 11 & 30</i>			
4	APU00015	FLEXI CAMLESS REEL BACK WELD ASSEM	1
5	APU00017	SIDE WALL COVER PLATE (FLEXI)	2
6	APU00018	FLEXI SIDE WALL WELD ASSEM (LHS)	1
7	APU00019	FLEXI SIDE WALL WELD ASSEM (RHS)	1
8	APU00020	CHAIN TENSIONER ADJUSTER WELD ASSEM (FLEXI)	1
9	APU00021	CHAIN ADJUSTER WELD ASSEM	1
10	CBE00002	BUFFER RUBBER 50X21 M10X28	2
11	CBR00066	BEARING 6304 2RS	2
12	CCH00195	CHAIN ASA60H 3/4 76 P INC JOINERLINK	2
<i>(IF AUGER SPROCKET IS 19T USE AS IS & IF AUGER SPROCKET IS 15T REMOVE 2 LINKS)</i>			
13	CFA00005	LINCH PIN 10MM	2
14	CFA00016	BOLT M10X35	6
15	CFA00027	BOLT M10X60 Z/P	2
16	CMH02848	PIN CLEVIS 16X85 + DIA 4 C.HOLE	2
<i>REPLACES M16X90 BOLT CFA00040</i>			
17	CFA00052	SETSCREW M8X20 Z/P	16
18	CFA00101	SETSCREW M8X16 Z/P	4
19	CFA00123	NUT M10 NYLOC	12
20	CFA00124	NUT M12 NYLOC	4
21	CFA00450	SPLIT PIN 4X36 ZP	2
<i>REPLACES M16 NYLOC NUT CFA00128</i>			
22	CFA00138	WASHER FLAT 12MM Z/P	2
23	CFA00139	WASHER FLAT 12MM H/D Z/P	4
24	CFA00140	WASHER FLAT 16MM Z/P	4
25	CFA00151	SETSCREW M16X40 Z/P	2
26	CFA00201	WASHER FLAT 10 MM Z/P	4
27	CFA00249	WASHER SKM8	20
28	CFA00252	WASHER SKM16	2
29	CFA00339	CIRCLIP 20MM EXTERNAL	2
30	CFA00461	CIRCLIP 52MM INTERNAL DIN 472	2
31	CFA00542	OILER FITTING 90 DEG 1/8 BSP	1
<i>FITTING WITH NUT & OLIVE (USED ON FUSION ONLY)</i>			
31	CFA02253	90 DEG 1/8 4MM QUICK CONNECTOR	1
<i>PUSH-IN FITTING (USED ON F5 & V6 ONLY)</i>			
32	CFA00546	BOLT M10X85 CUP HEAD SQ Z/P	2
33	CFA00579	BOLT M12X65 ZP	2
34	CFA00590	GREASE NIPPLE 1/8" BSP ST	2
35	CFA00766	SETSCREW M8X20 FLANGED DIN6921 Z/P	132
35a	CFA00764	INSERT THREADED M8 (REEL)	132
<i>REPLACEMENT THREADED INSERTS FOR ITEM 4 (IF THREADING GETS DAMAGED)</i>			
36	CFA01053	CIRCLIP 12MM EXTERNAL Z/P DIN 471	2
37	CGD00375	OUTER GUARD GRASS BAND LHS	1
38	CGD00376	OUTER GUARD GRASS BAND RHS	1
39	CHY01096	6MM FLEXI CAMLESS GREASE PIPE ASSEM	2
40	CMH01035	PIN 25X97 AND12MM CH (Z/P)	2
41	CMH02687	BUSH 20 X 12 X 56	2

No.	Part No	Description	Qty
42	CMH02713	35 X 25 STEPPED BUSH	2
43	CMH02744	BUSH 34 X 25 STEPPED	2
44	CSG00297	SPRING 6 X 25 X 35	2
45	CTP00456	BAND CAMLESS REEL	33
46	CTP00471	FLEXI CAMLESS SIDE GUARD PRESSED (DS)	1
47	CTP00472	FLEXI CAMLESS SIDE GUARD PRESSED (NDS)	1
48	CZF07108	6MM L DRUM CLEANER PLATE	1
49	CZF07109	6MM L DRUM CLEANER PLATE	1

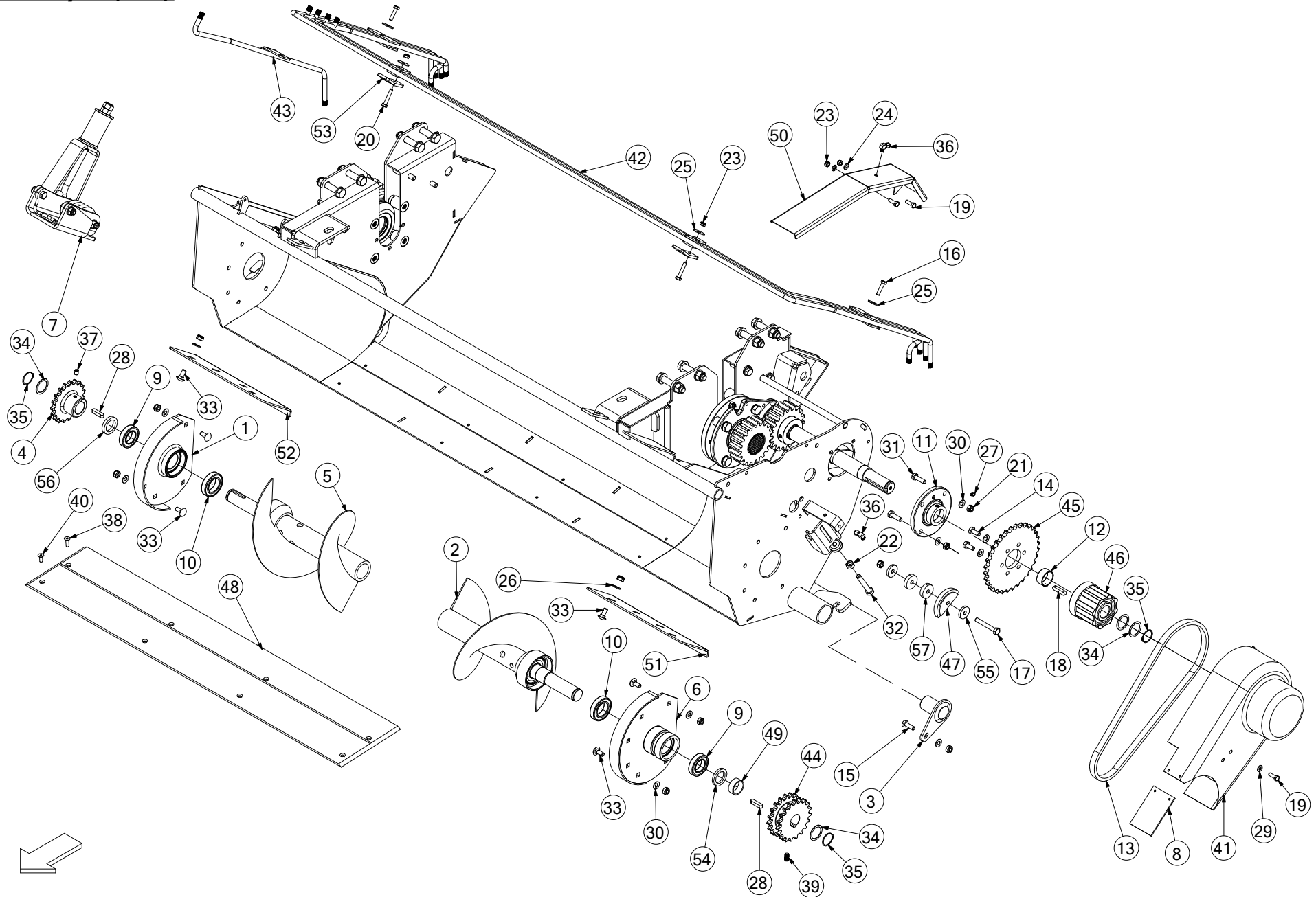
Pick-up 4 (896)



No.	Part No	Description	Qty
1	ACH00331	BEARING HOLDER ASSY	1
<i>INCLUDES ITEMS 10, 24, 37 & 49</i>			
2	ACH00864	DUPLEX CHAIN TENSIONER BASE	1
3	ACH00865	DUPLEX TENSIONER (SP	1
<i>COMPLETE ASSEMBLY (FUSION VARIO & BALERS ONLY) WITH BUFFER AS SHOWN</i>			
3	ACH01761	DUPLEX CHAIN TENSIONER FUSION 3	1
<i>COMPLETE ASSEMBLY (FUSION 3 SERIES ONLY) WITH EXTENSION SPRING NOT SHOWN</i>			
4	ACH02294	DUPLEX TENSIONER WELD ASSY	1
5	ACH03043	CHOPPER UNIT CHASSIS KIT	1
<i>USED WITH 25K SUSPENSION FLOOR FROM SERIAL No 662200 (FUSION 3), 710486 (F5), 802926 (V6) & 900300 (VARIO)</i>			
5	ACH03043	CHOPPER UNIT CHASSIS KIT	1
<i>USED WITH 0K & 15K SUSPENSION FLOOR FROM SERIAL No 710802 (F5), 803233 (V6) & 900300 (VARIO)</i>			
5	ACH02311	CHOPPER CHASSIS WELD STD FLOOR	1
<i>USED ON STD 25 KNIFE FLOOR UP TO SERIAL No 662199 (FUSION 3), 710485 (F5), 802925 (V6) & 900299 (VARIO)</i>			
5	ACH02311	CHOPPER CHASSIS WELD STD FLOOR	1
<i>USED ON STD 0K & 15K FLOOR UP TO SERIAL No 710801 (F5), 803232 (V6) & 900299 (VARIO)</i>			
5	ACH01583	CHOPPER CHASSIS FLEXI INTAKE WELD	1
<i>USED ON 0K & 15K SUSPN FROM SERIAL No 712563 (F5), 805370 (V6) & 900601 (VARIO)</i>			
5	ACH01583	CHOPPER CHASSIS FLEXI INTAKE WELD	1
<i>USED ON 25K SUSPN FROM SERIAL No 664035 (FUS 3), 712593 (F5), 805384 (V6) & 900601 (VARIO)</i>			
6	ALA00247	DROP FLOOR RAM PIN Z/P	2
7	ARC00067	ROTOR BEARING HOUSING ASSY	1
8	KST00089	DUPLEX CHAIN BUFFER KIT	1
<i>(REPLACES CBE00174) INCLUDES WASHERS (ITEM 50) COMPRESS BUFFER TO 85MM WHEN ADJUSTING DUPLEX CHAIN</i>			
9	CBR00078	BEARING FEC 60 4 BOLT FLANGE	1
10	CBR00093	BEARING INSERT INA GYE 40 KRRB	1
11	CBR00101	BEARING GLACIER PM 2525 DX	8
12	CFA00017	SETSCREW M10X30 CUP SQ Z/P	1
13	CFA00025	SETSCREW M10X30	3
14	CFA00033	SETSCREW M12X35 Z/P	2
15	CFA00123	NUT M10 NYLOC	28
16	CFA00124	NUT M12 NYLOC	3
17	CFA00127	NUT M16	1
18	CFA00128	NUT M16 NYLOC	9
19	CFA00135	WASHER FLAT 1" Z/P	4
20	CFA00138	WASHER FLAT 12MM Z/P	4
21	CFA00140	WASHER FLAT 16MM Z/P	16
22	CFA00765	SETSCREW M8X20 CSK Z/P	11
23	CFA00201	WASHER FLAT 10 MM Z/P	26
24	CFA00232	CIRCLIP 85MM INTERNAL	1
25	CFA00450	SPLIT PIN 4 X36 Z/P	2
26	CFA00513	CIRCLIP 60MM EXTERNAL	2
27	CFA00550	ROTOR BEARING GREASE FITTING	2
28	CFA00551	CIRCLIP 40MM EXTERNAL	2
29	CFA00558	KEY 12X8X60	1
30	CFA00559	GRUBSCREW M10X12	1
31	CFA00637	SHIM 60X70X1	2
32	CFA00747	BOLT M12X170Z/P	1
33	CFA00783	WASHER NL16 NORD-LOCK	8
34	CFA01048	EYE BOLT M16X280 DACROMET	1
<i>REPLACES CFA00784</i>			

No.	Part No	Description	Qty
35	CFA00786	BOLT M16X60 Z/P DIN931 GRADE 10.9	4
36	CFA00787	BOLT M16X100 Z/P DIN931 GRADE 10.9	4
37	CMH00245	BEARING RETAINER 1040 35MM	1
38	CMH00652	GEAR SPUR MOD6 20 TOOTH SPLINE	1
39	CMH00653	GEAR SPUR MOD6 20T 40MM ID	1
40	CMH00657	SHAFT 40 X 480.5 STEPPED	1
41	CMH00659	SPROCKET 1" PITCH 25 T DUPLEX	1
42	CMH00961	PIN CLEVIS 16X80 & DIA 4 C.HOLE	2
43	CMH01022	BUSH 8X35X45 STEPPED	1
44	CMH01910	BUSH 17X70X10 STEPPED 25	1
<i>REPLACES CMH01109, CZD05074 & CZD05186</i>			
45	CMH01110	BUSH 12X25X19.5	2
46	CPL00055	CHAIN TENSIONER SLIDE 1"DUPLEX	1
47	CRA00186	RAM PICKUP BALER	2
<i>USED WITH STD PICK-UP (CAN ALSO USE CRA00292 AS A DIRECT REPLACEMENT)</i>			
47	CRA00292	RAM PICK UP REEL (CAMLESS)	2
<i>MUST BE USED WITH CAMLESS PICK-UP (CAN ALSO BE USED ON STD PICK-UP INSTEAD OF CRA00186)</i>			
48	CRA00193	RAM CHOPPER FLOOR 20X40 BW	2
49	CTP00391	BEARING HOLDER ASSY SPUR GEARS	1
<i>REPLACES ACH00330</i>			
50	CZD05074	4MM L WASHER 16X68X4 Z/P	1
<i>REPLACES CZD04321</i>			
51	ACH01587	CHOPPER CHASSIS INTAKE PLATE	1
<i>USED ON 0K & 15K SUSPN FROM SERIAL No 712563 (F5), 805370 (V6) & 900601 (VARIO)</i>			
51	ACH01587	CHOPPER CHASSIS INTAKE PLATE	1
<i>USED ON 25K SUSPN FROM SERIAL No 664035 (FUS 3), 712593 (F5), 805384 (V6) & 900601 (VARIO)</i>			
52	CBE00344	BUFFER RUBBER 50X58 M10/28 68SH	3
53	CBE00345	RUBBER BUFFER 50X26 M10	4
54	CPL00242	NYLON WEAR PLATE PICKUP ANGLED	1
<i>USED ON 0K & 15K SUSPN FROM SERIAL No 712563 (F5), 805370 (V6) & 900601 (VARIO)</i>			
54	CPL00242	NYLON WEAR PLATE PICKUP ANGLED	1
<i>USED ON 25K SUSPN FROM SERIAL No 664035 (FUS 3), 712593 (F5), 805384 (V6) & 900601 (VARIO)</i>			

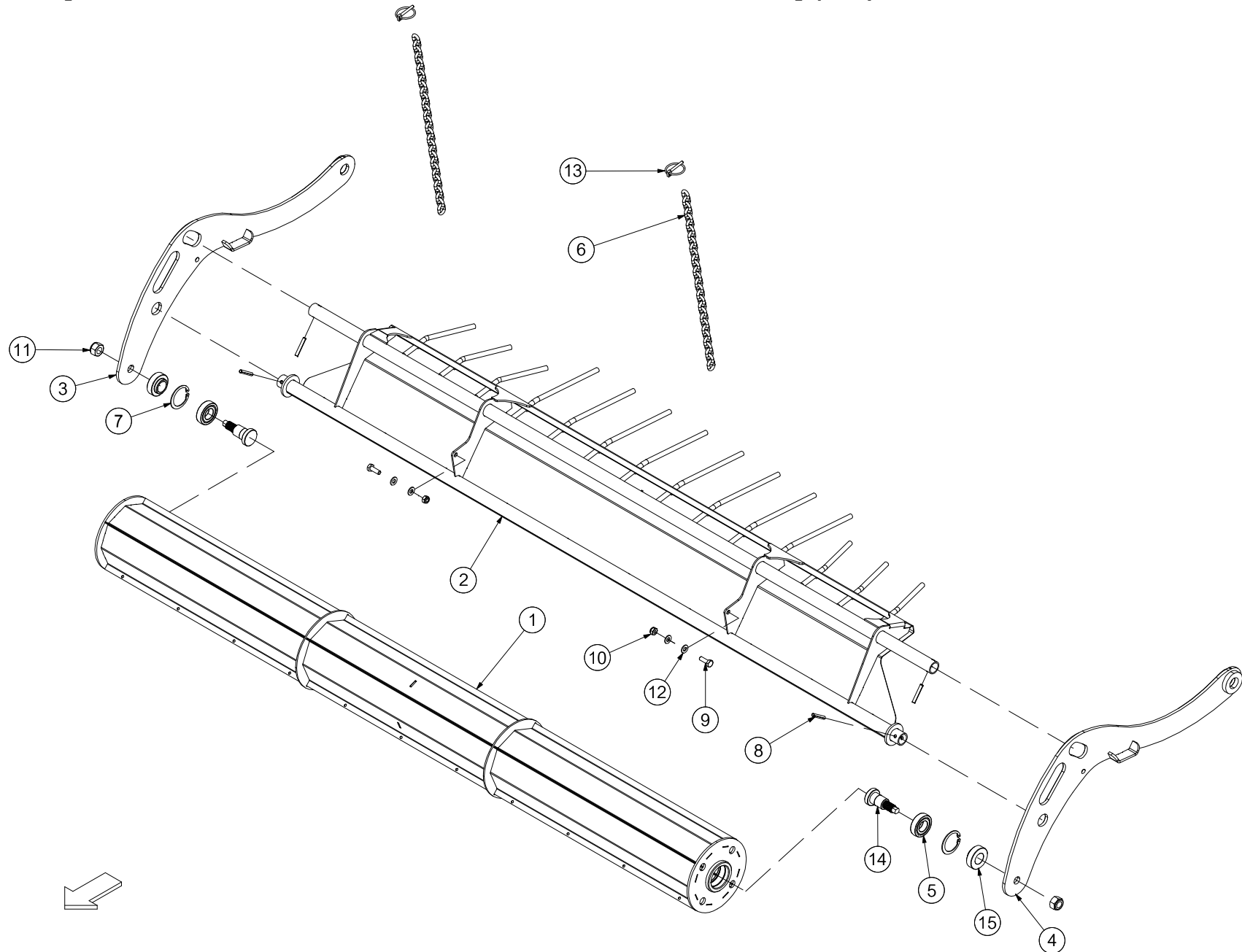
Pick-up 5 (897)



No.	Part No	Description	Qty
1	CTP00503	CHOPPER UNIT AUGER HOUSING RHS	1
2	ACH00314	AUGER ASSY (LEFT)	1
<i>USED UP TO SERIAL No 662199 (FUSION 3), 710485 (F5), 802925 (V6) & 900299 (VARIO) - [STANDARD FLOOR]</i>			
2	ACH01458	AUGER ASSY BIG (LEFT)	1
<i>USED FROM SERIAL No 662200 (FUSION 3), 710486 (F5), 802926 (V6) & 900300 (VARIO) - [SUSPENSION FLOOR]</i>			
3	ACH00321	PIN CHOPPER FLOOR HINGE Z/P	2
4	ACH00326	SPROCKET 19T AUGER ASM (RIGHT)	1
<i>USED UP TO SERIAL No 662199 (FUSION 3), 710485 (F5), 802925 (V6) & 900299 (VARIO) - [STANDARD FLOOR]</i>			
4	ARC00431	SPROCKET 15T AUGER ASM (RIGHT)	1
<i>USED FROM SERIAL No 662200 (FUSION 3), 710486 (F5), 802926 (V6) & 900300 (VARIO) - [SUSPENSION FLOOR]</i>			
5	ACH00327	AUGER ASSY (RIGHT)	1
<i>USED UP TO SERIAL No 662199 (FUSION 3), 710485 (F5), 802925 (V6) & 900299 (VARIO) - [STANDARD FLOOR]</i>			
5	ACH01456	AUGER ASSY BIG (RIGHT)	1
<i>USED FROM SERIAL No 662200 (FUSION 3), 710486 (F5), 802926 (V6) & 900300 (VARIO) - [SUSPENSION FLOOR]</i>			
6	CTP00504	CHOPPER UNIT AUGER HOUSING LHS	1
7	ACH00865	DUPLEX TENSIONER (SPRING)	1
8	CBE00033	RUBBER 120X80 CHAIN GUARD BALER	1
9	CBR00001	BEARING 6007 2RS	2
10	CBR00076	BEARING 6008 2RS	2
11	CBR00104	BEARING INA TME 40 GE 40 KPPB3	1
12	CBR00268	BEARING GLACIER DU 4	1
13	CCH02025	CHAIN ASA60H 3/4 62 INC LINK	1
<i>IF AUGER SPROCKET IS 19T USE AS IS & IF AUGER SPROCKET IS 15T REMOVE 2 LINKS)</i>			
14	CFA00024	SETSCREW M10X25 Z/P	6
15	CFA00025	SETSCREW M10X30	3
16	CFA00055	BOLT M8X35 Z/P	2
17	CFA00075	BOLT M10X75 Z/P	1
18	CFA00081	KEY 10X8X45	1
19	CFA00102	SETSCREW M8X25 Z/P	3
20	CFA00106	BOLT M8X45 Z/P	2
21	CFA00123	NUT M10 NYLOC	28
22	CFA00125	NUT M12 Z/P	1
23	CFA00132	NUT M8 NYLOC Z/P	4
24	CFA00147	WASHER FLAT 8MM Z/P	2
25	CFA00149	WASHER MUDWING M8 31.75OD	4
26	CFA00201	WASHER FLAT 10 MM Z/P	10
27	CFA00217	GREASE NIPPLE M6X1.0 ST	1
28	CFA00239	KEY 10X8X40	2
29	CFA00249	WASHER SKM8	1
30	CFA00251	WASHER SKM10	24
31	CFA00311	SETSCREW M10X35 Z/P	4
32	CFA00330	BOLT M12X80 Z/P	1
33	CFA00442	SETSCREW M10X25 CUP SQ	19
34	CFA00512	SHIM 35X45X1.0 Z/P	4
35	CFA00514	CIRCLIP 35MM EXTERNAL	3
36	CFA00542	OILER FITTING 90 DEG 1/8 BSP	2
37	CFA00559	GRUBSCREW M10X12	1
38	CFA00582	SETSCREW M8X25 CSK Z/P	4
39	CFA00625	M10 x 20 GRUBSCREW	1
40	CFA00765	SETSCREW M8X20 CSK Z/P	4

No.	Part No	Description	Qty
41	CGD00057	GUARD SLIPCLUTCH PICKUP REEL	1
42	CHY02606	PIPE ASSY HYD CHOPPER UNIT	1
43	CHY02786	STEEL PIPE WELD ASSY	1
<i>USED WITH SELECTABLE KNIFE CHOPPER UNITS ONLY</i>			
44	CMH00633	SPROCKET 3/4" PITCH 19T DOUBLE	1
<i>USED UP TO SERIAL No 662199 (FUSION 3), 710485 (F5), 802925 (V6) & 900299 (VARIO) - [STANDARD FLOOR]</i>			
44	CMH00227	SPROCKET 3/4" PITCH 15T DOUBLE	1
<i>USED FROM SERIAL No 662200 (FUSION 3), 710486 (F5), 802926 (V6) & 900300 (VARIO) - [SUSPENSION FLOOR]</i>			
45	CMH00727	PLATEWHEEL 3/4" PITCH 32T	1
46	CMT00063	CLUTCH STANDARD PICK-UP	1
<i>STANDARD PICK-UP</i>			
46	CMT00381	CLUTCH CAMLESS (602175) EK34B	1
<i>CAMLESS PICK-UP</i>			
46a	CMH02697	CAMLESS CLUTCH RETAINING BUSH	1
<i>CAMLESS PICK-UP</i>			
46b	CFA002319	BOLT M10X30 SOC CAP 8.8 Z/P	1
<i>CAMLESS PICK-UP</i>			
47	CPL00043	PLASTIC CHAIN TENSIONER (REEL)	1
48	CPL00087	NYLON WEAR PLATE RECTANGULAR	1
<i>USED ON STD 0K & 15K FLOOR UP TO SERIAL No 710801 (F5), 803232 (V6) & 900299 (VARIO)</i>			
48	CPL00087	NYLON WEAR PLATE RECTANGULAR	1
<i>USED ON STD 25 KNIFE FLOOR UP TO SERIAL No 662199 (FUSION 3), 710485 (F5), 802925 (V6) & 900299 (VARIO)</i>			
48	CPL00217	NYLON WEAR PLATE PICKUP ANGLED	1
<i>USED ON 0K & 15K SUSPN ON SERIAL No 710802 - 711308 (F5), 803233 - 803695 (V6) & 900300 - 900412 (VARIO)</i>			
48	CPL00217	NYLON WEAR PLATE PICKUP ANGLED	1
<i>25K SUSP ON SERIAL No 662200-663378 (FUS 3), 710486-711308 (F5), 802926-803695 (V6) & 900300-900421 (VARIO)</i>			
48	CPL00244	NYLON WEAR PLATE PICKUP ANGLED	1
<i>USED ON 0K & 15K SUSPN ON SERIAL No 711309 - 712562 (F5), 803696 - 805369 (V6) & 900413 - 900600 (VARIO)</i>			
48	CPL00244	NYLON WEAR PLATE PICKUP ANGLED	1
<i>25K SUSP ON SERIAL No 663379-664034 (FUS 3), 711309-712592 (F5), 803696-805383 (V6) & 900422-900600 (VARIO)</i>			
48	CPL00242	NYLON WEAR PLATE PICKUP ANGLED	1
<i>USED ON 0K & 15K SUSPN FROM SERIAL No 712563 (F5), 805370 (V6) & 900601 (VARIO)</i>			
48	CPL00242	NYLON WEAR PLATE PICKUP ANGLED	1
<i>USED ON 25K SUSPN FROM SERIAL No 664035 (FUS 3), 712593 (F5), 805384 (V6) & 900601 (VARIO)</i>			
49	CXT00185	TUBE 42.4X3X16	1
50	CZB02160	1.5MM L SPUR GEAR GUARD BALER	1
51	CZD02227	4MM L AUGER CLEANING PLATE LH	1
52	CZD04345	4MM L AUGER CLEANING PLATE RH	1
53	CZF02904	6MM L GUARD BRACKET BALER	2
54	CZF05110	6MM L SPACER	1
55	CZF09260	6MM L WASHER CAMTRACK CHAIN TENSIONER	2
56	CZG02115	8MM L AUGER SPACER	1
57	CZH02584	10MM L WASHER 40X10.5 Z/P	2

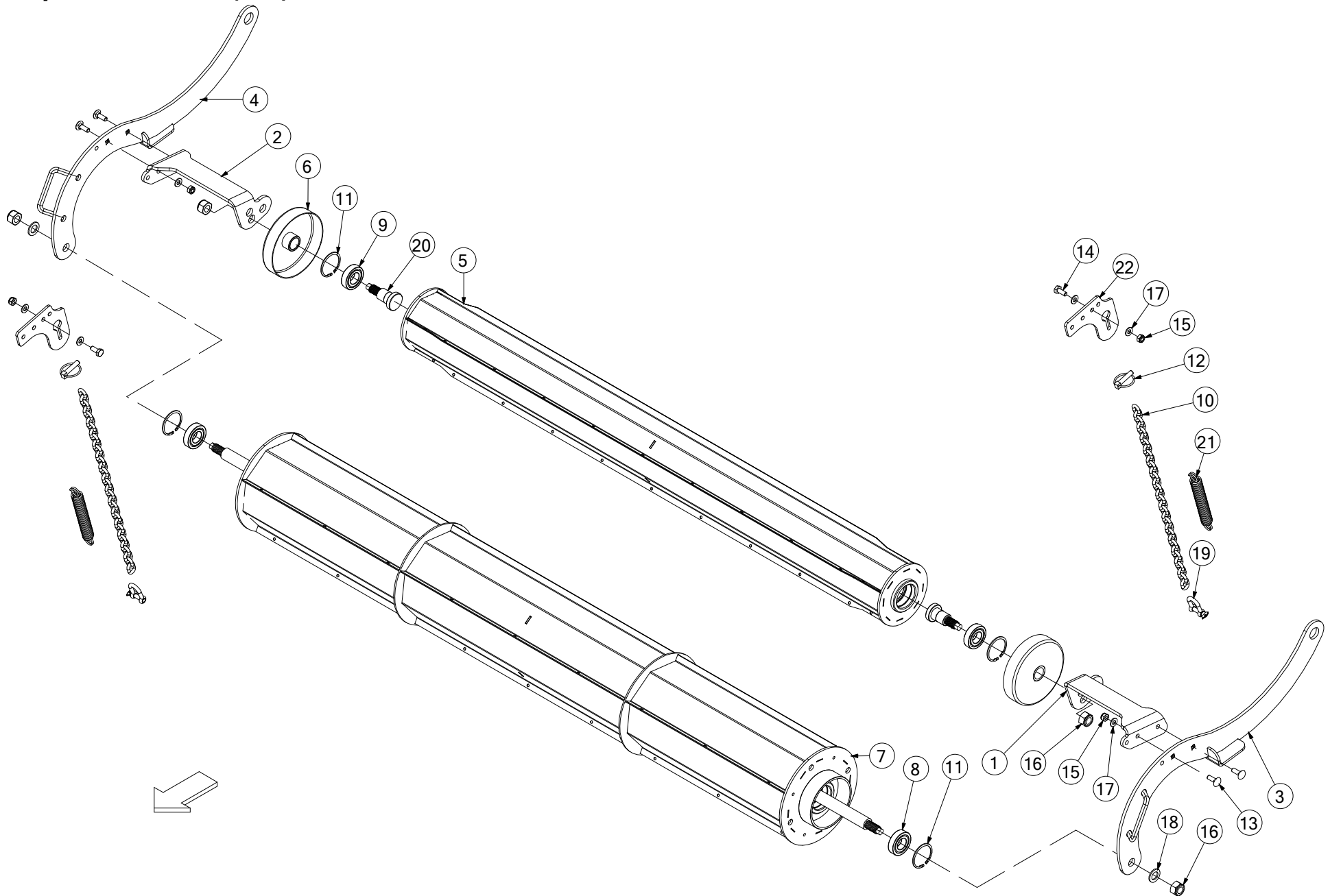
Crop roller [On Fusion-F5-V6 from Serial No 655681-706661-800616] (775)



No.	Part No	Description	Qty
1	ARC00324	CROP ROLLER WELD ASSY SMALL	1
2	ARC00325	CROP ROLLER COVER PLATE ASSY	1
3	ARC00326	CROP ROLLER SIDE PLATE ASSY (RHS)	1
4	ARC00327	CROP ROLLER SIDE PLATE ASSY (LHS)	1
5	CBR00299	BEARING 206 NPPB 30MM SPHERICAL	2
6	CCH00186	CHAIN 7X20 X 30 LINKS	2
7	CFA00002	CIRCLIP INTERNAL 20X1 DIN 472	2
8	CFA00010	ROLL PIN 8X50 Z/P	4
9	CFA00025	SETSCREW M10X30 ZP	2
<i>REPLACES CFA00016</i>			
10	CFA00123	NUT M10 NYLOC	2
11	CFA00129	NUT M20 NYLOC	2
12	CFA00201	WASHER FLAT 10 MM Z/P	4
13	CFA00202	LINCH PIN 6MM	2
14	CMH00148	SHAFT 30X95 M20 THREAD	2
15	CMH01445	BUSH 30X50X25 Z/P	2

No.	Part No	Description	Qty
-----	---------	-------------	-----

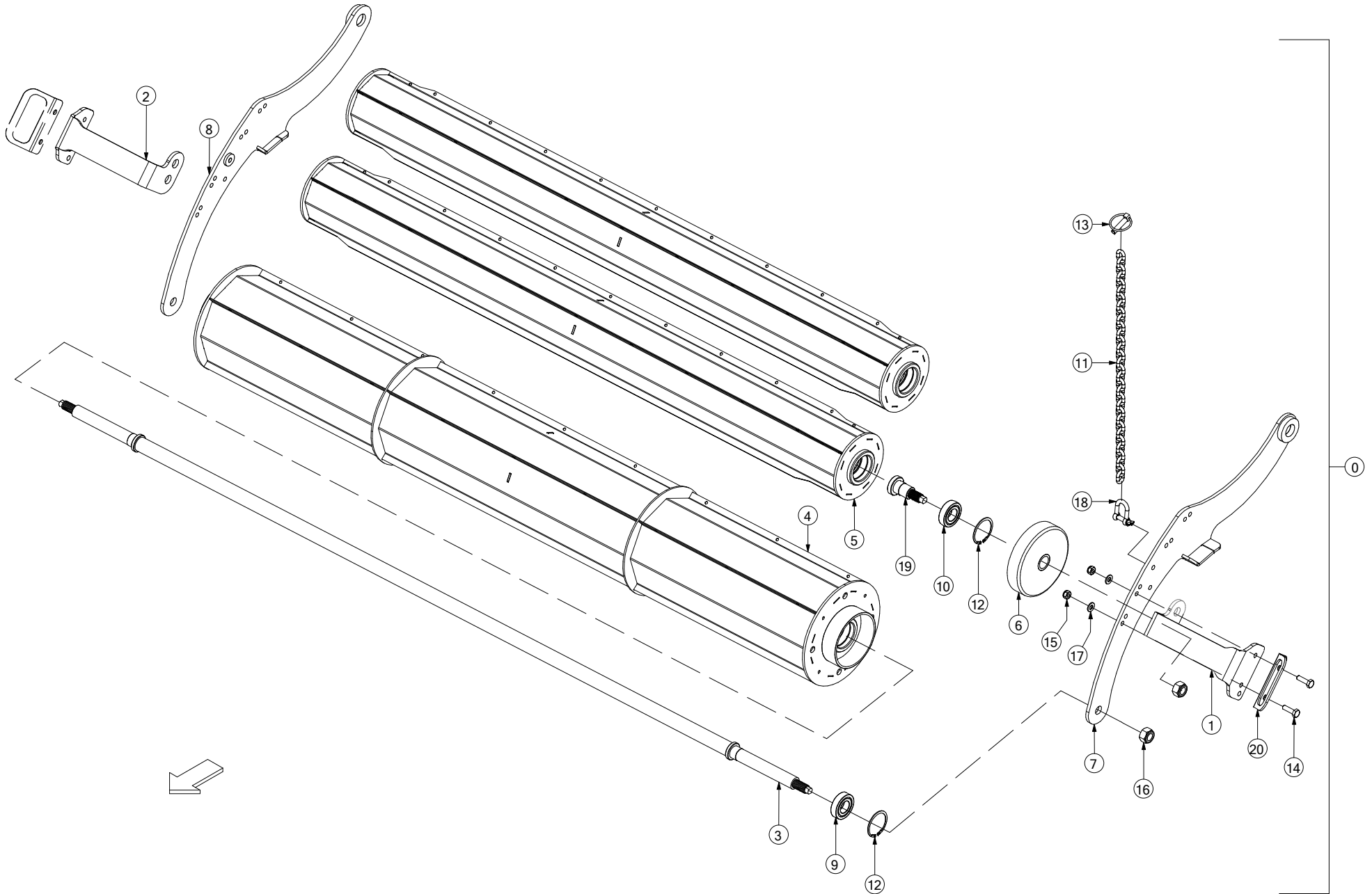
Crop roller double (966)



No.	Part No	Description	Qty
0	ARC00378	CROP ROLLER FULL ASSEM (CAMLESS)	1
<i>COMPLETE ASSEMBLY (INCLUDES ITEMS 1 THROUGH 21). USED IN SPECIFIC MARKETS, ON CAMLESS MACHINES ONLY.</i>			
1	ACH03150	REAR CROP ROLLER HOLDER WELD ASSEM LHS	1
2	ACH03151	REAR CROP ROLLER HOLDER WELD ASSEM RHS	1
3	ARC00379	CROP ROLLER PLATE WELD ASSEM LHS (CAMLESS)	1
4	ARC00380	CROP ROLLER PLATE WELD ASSEM RHS (CAMLESS)	1
5	ARC00387	TOP ROLLER WELD ASSEM (SHORT)	1
6	ARC00392	CROP ROLLER SEAL (LARGE)	2
7	ARC00466	FRONT ROLLER ASSEM (DCR)	1
<i>INCLUDES ITEMS 8 & 11</i>			
8	CBR00024	BEARING 62062RS	2
9	CBR00299	BEARING 206 NPPB 30MM SPHERICAL	2
10	CCH00186	CHAIN CROP ROLLER 7X20X32 LINKS	2
11	CFA00002	62MM INTERNAL CIRCLIP DIN 472	4
12	CFA00005	LINCH PIN 10MM	2
13	CFA00017	SETSCREW M10X30 CUP SQ Z/P	4
14	CFA00024	SETSCREW M10X25 Z/P	4
15	CFA00123	NUT M10 NYLOC	8
16	CFA00129	NUT M20 NYLOC	4
17	CFA00201	WASHER FLAT 10 MM Z/P	10
18	CFA00413	WASHER FLAT 20MM Z/P	2
19	CFA00457	D SHACKLE 0.375" GAL	2
20	CMH00148	SHAFT 30X86 M20 THREAD Z/P	2
21	CSG00320	SPRING EXT 3.5X27.5X188 Z/P	2
22	CZF07624	6MM L DOUBLE CROP ROLLER CHAIN HOLDER	2
<i>USED ON FUSION VARIO ONLY (NOT SHOWN) PRIOR TO SERIAL No 900340</i>			
22	CZF07847	CAMLESS REEL CHAIN HANGER	1
<i>USED ON V6 FROM SERIAL No 805001 & FUSION VARIO FROM SERIAL No 900340 (LH SIDE)</i>			
22	ACH02980	PLATFORM BRACKET V6/ VARIO ASSY	1
<i>USED ON V6 FROM SERIAL No 805001 & FUSION VARIO FROM SERIAL No 900340 (RH SIDE)</i>			
22	CZF07625	6MM L DOUBLE CROP ROLLER CHAIN HOLDER F3	2
<i>USED ON FUSION 3 ONLY (NOT SHOWN)</i>			
22	CZF07629	6MM L CAMLESS CHAIN PLATE F5000 / V6	2
<i>USED ON F5 BALERS & V6 PRIOR TO SERIAL No 805001 (SHOWN)</i>			

No.	Part No	Description	Qty
-----	---------	-------------	-----

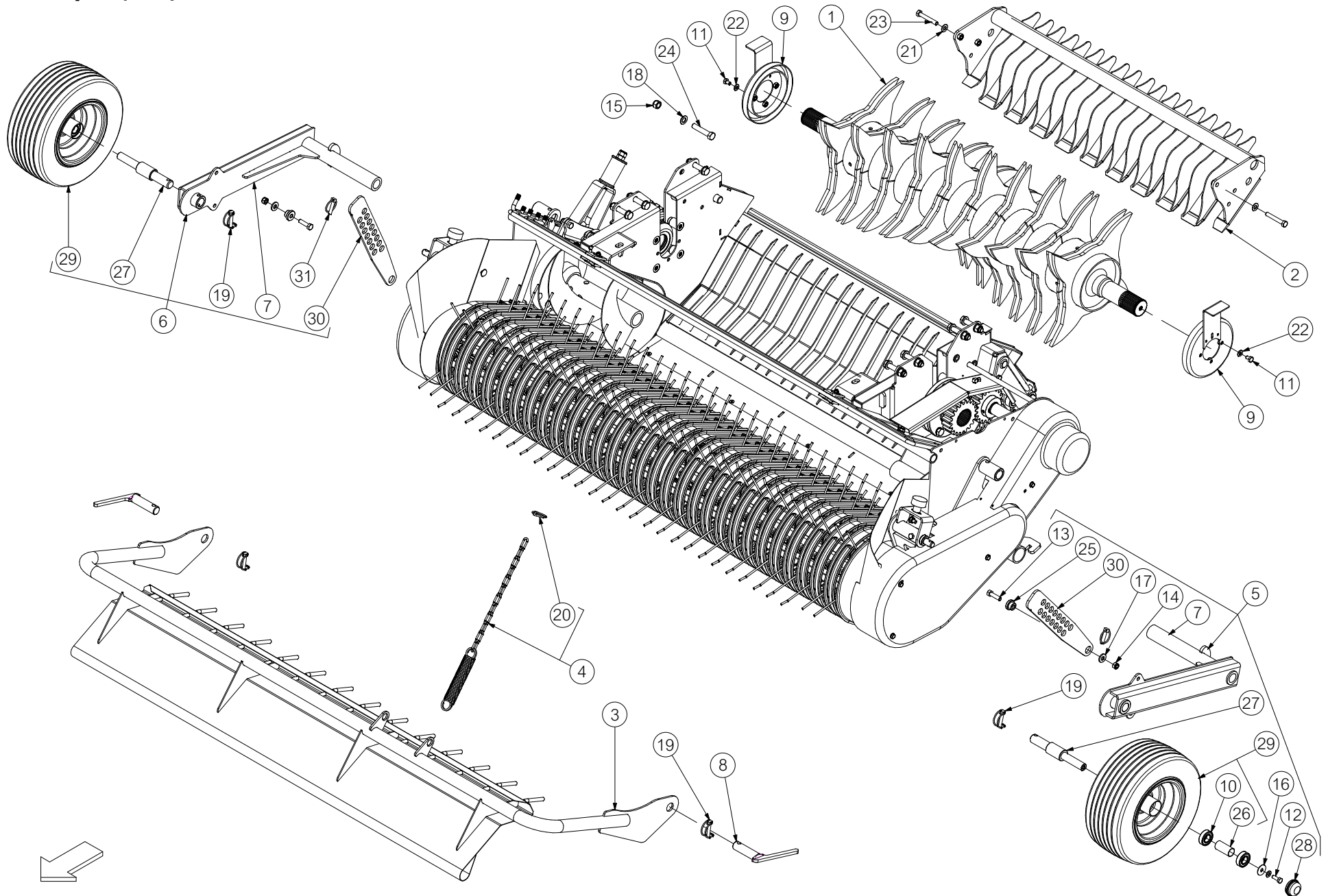
Crop roller triple [From Serial No. (F5) 712699 & (V6) 805523] (1134)



No.	Part No	Description	Qty
Item	Part Code	Description	Qty
0	ARC00465	Triple Crop Roller Assembly	1
<i>COMPLETE TRIPLE CROP ROLLER ASSEMBLY. USED IN SPECIFIC MARKETS, ON CAMLESS MACHINES ONLY.</i>			
1	ACH02922	REAR CROP ROLLER HOLDER WELD ASSEM (LHS)	2
2	ACH02923	REAR CROP ROLLER HOLDER WELD ASSEM (RHS)	2
3	ACH03042	FRONT ROLLER AXLE WELD ASSEM (CAMLESS)	1
4	ARC00377	ROLLER WELD ASSEM (CAMLESS)	1
5	ARC00387	TOP ROLLER WELD ASSEM (SHORT)	2
6	ARC00392	CROP ROLLER SEAL (LARGE)	4
7	ARC00472	TCR CARRIER PLATE WELD ASSEM LHS	1
<i>USED ON F5 SERIES FROM SERIAL No 712699 TO 715036 & V6 SERIES FROM SERIAL No 805523 TO 808699</i>			
7	ARC00518	TCR CARRIER WELD ASSEM LHS (APU00045)	1
<i>USED ON F5 SERIES FROM SERIAL No 715037 & V6 SERIES FROM SERIAL No 808700</i>			
8	ARC00473	TCR CARRIER PLATE WELD ASSEM RHS	1
<i>USED ON F5 SERIES FROM SERIAL No 712699 TO 715036 & V6 SERIES FROM SERIAL No 805523 TO 808699</i>			
8	ARC00519	TCR CARRIER WELD ASSEM RHS (APU00045)	1
<i>USED ON F5 SERIES FROM SERIAL No 715037 & V6 SERIES FROM SERIAL No 808700</i>			
9	CBR00024	BEARING 62062RS	2
10	CBR00299	BEARING 206 NPPB 30MM SPHERICAL	4
11	CCH00186	CHAIN CROP ROLLER 7X20X32 LINKS	2
12	CFA00002	62MM INTERNAL CIRCLIP DIN 472	6
13	CFA00005	LINCH PIN 10MM	2
14	CFA00016	BOLT M10X35	8
15	CFA00123	NUT M10 NYLOC	8
16	CFA00129	NUT M20 NYLOC	6
17	CFA00201	WASHER FLAT 10 MM Z/P	12
18	CFA00457	D SHACKLE 0.375" GAL	2
19	CMH00148	SHAFT 30X86 M20 THREAD Z/P	4
20	CZD00282	4MM L TCR FORMED HANDLE	2

No.	Part No	Description	Qty
-----	---------	-------------	-----

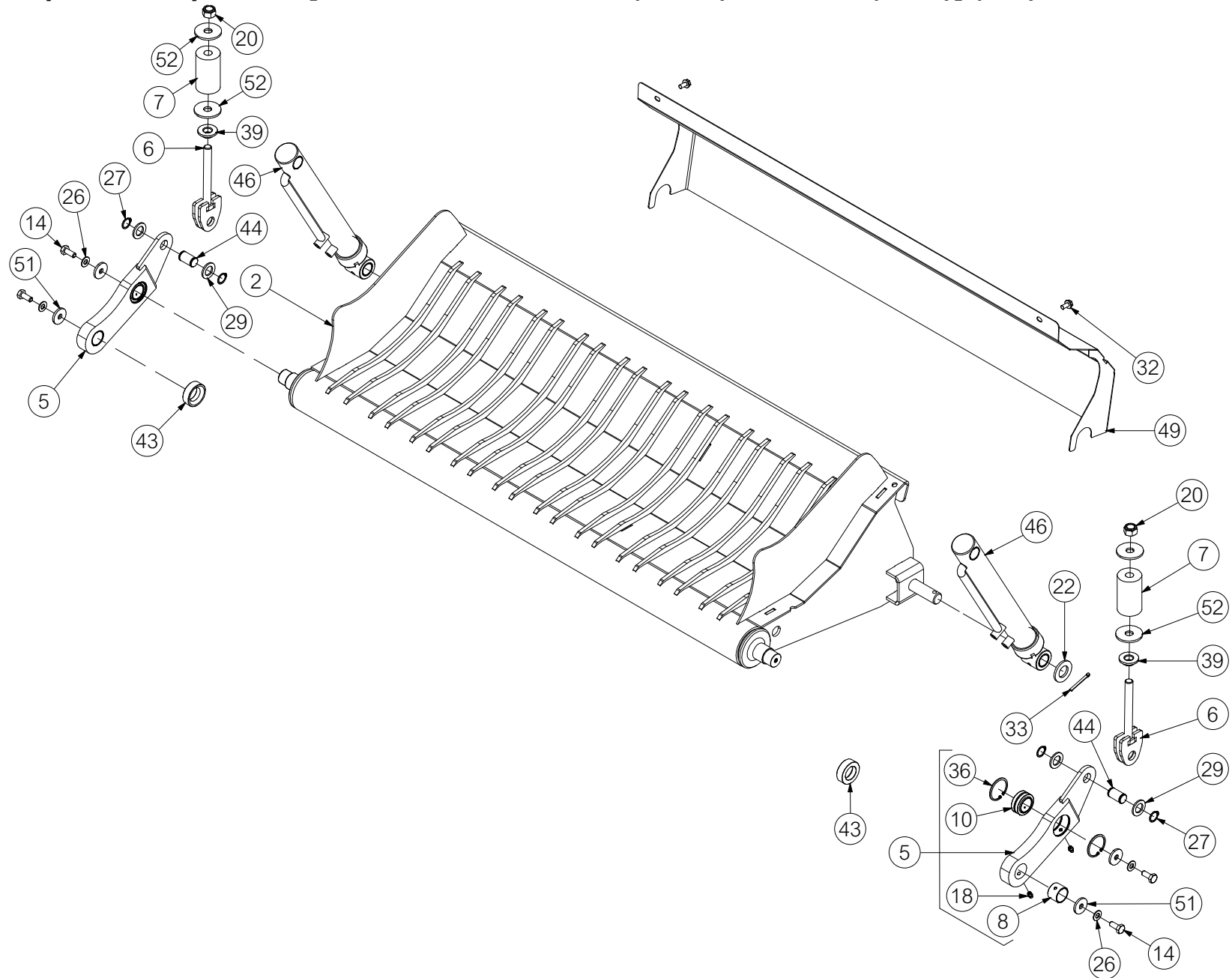
Pick-up 3 (900)



No.	Part No	Description	Qty
1	ACH01136	ROTOR (0 KN) DBL FING Ø500 S/A <i>USED ON F5400 UP TO SERIAL No 710801 & ON V640 UP TO SERIAL No 803232 (STANDARD FLOOR)</i>	1
1a	CZG04261	8MM L ROTOR PLATE 0 KNIFE Ø500 <i>REPLACEMENT ROTOR FINGER PLATE (NOTE: THERE ARE 2 FINGER PLATES PER FLIGHT)</i>	2
1	ACH01546	BIG ROTOR (0 KN) DBL FING Ø540 <i>USED ON F5400 FROM SERIAL No 710802 & ON V640 FROM SERIAL No 803233 (SUSPENSION FLOOR)</i>	1
1a	CZG04740	8MM L ROTOR PLATE 540 OD <i>REPLACEMENT ROTOR FINGER PLATE (NOTE: THERE ARE 2 FINGER PLATES PER FLIGHT)</i>	2
2	ACH02506	COMB WELD ASSY V6 NON-CHOPPER <i>STANDARD V640 MACHINES ONLY</i>	1
2	ACN00091	COMB 2 FINGER NON CHOPPER (SA) <i>STANDARD F5400 MACHINES ONLY</i>	1
3	ACH01206	GRASS GUARD CHOPPER UNIT F550 <i>STANDARD F5000 MACHINES ONLY</i>	1
4	ACN00042	GRASS COVER SPRING ASSY <i>INCLUDES ITEM 20</i>	1
5	ADB00051	PICKUP WHEEL COMP ASSY STD BALER	1
6	ADB00051	PICKUP WHEEL COMP ASSY STD BALER	1
7	ADB00052	PICKUP WHEEL ASSY ST BALER	2
8	ALA00035	HINGE PIN REEL FRONT	2
9	ARC00227	GRASS GUARD 23K ROTOR END SPUN	2
10	CBR00009	BEARING 6205 2RS	4
11	CFA00022	SETSCREW M10X16 Z/P	6
12	CFA00031	SETSCREW M12X25 Z/P	2
13	CFA00079	BOLT M12X45	2
14	CFA00124	NUT M12 NYLOC	2
15	CFA00128	NUT M16 NYLOC	8
16	CFA00250	WASHER SKM12	2
16	CFA00718	WASHER MUDWING A13 Z/P	2
16	CFA00720	WASHER FLAT M26 Z/P DIN126	2
17	CFA00139	WASHER FLAT 12MM H/D Z/P	2
18	CFA00140	WASHER FLAT 16MM Z/P	16
19	CFA00194	LINCH PIN PIPE 10MMX50MM	4
20	CFA00202	LINCH PIN 6MM	1
21	CFA00250	WASHER SKM12	4
22	CFA00251	WASHER SKM10	6
23	CFA00777	BOLT M12X80 GRADE 10.9 S/C	4
24	CFA00498	BOLT M16 X 80 Z/P	8
25	CMH00771	BUSH 12X35 STEPPED	2
26	CMH00838	BUSH 27X30.25X62 REEL WHEEL	2
27	CMH00962	PIN 30X200 STEPPED	2
28	CTP00070	DUST CAP 170/60-8 VREDESTEIN	2
29	CWH00037	WHEEL 170/60-8 V64+ 6PLY PICK-UP <i>INCLUDES ITEMS 10 & 26</i>	2
30	CZG04245	8MM L WHEEL GUIDE PART	2
31	CFA00005	LINCH PIN 10MM	2

No.	Part No	Description	Qty
-----	---------	-------------	-----

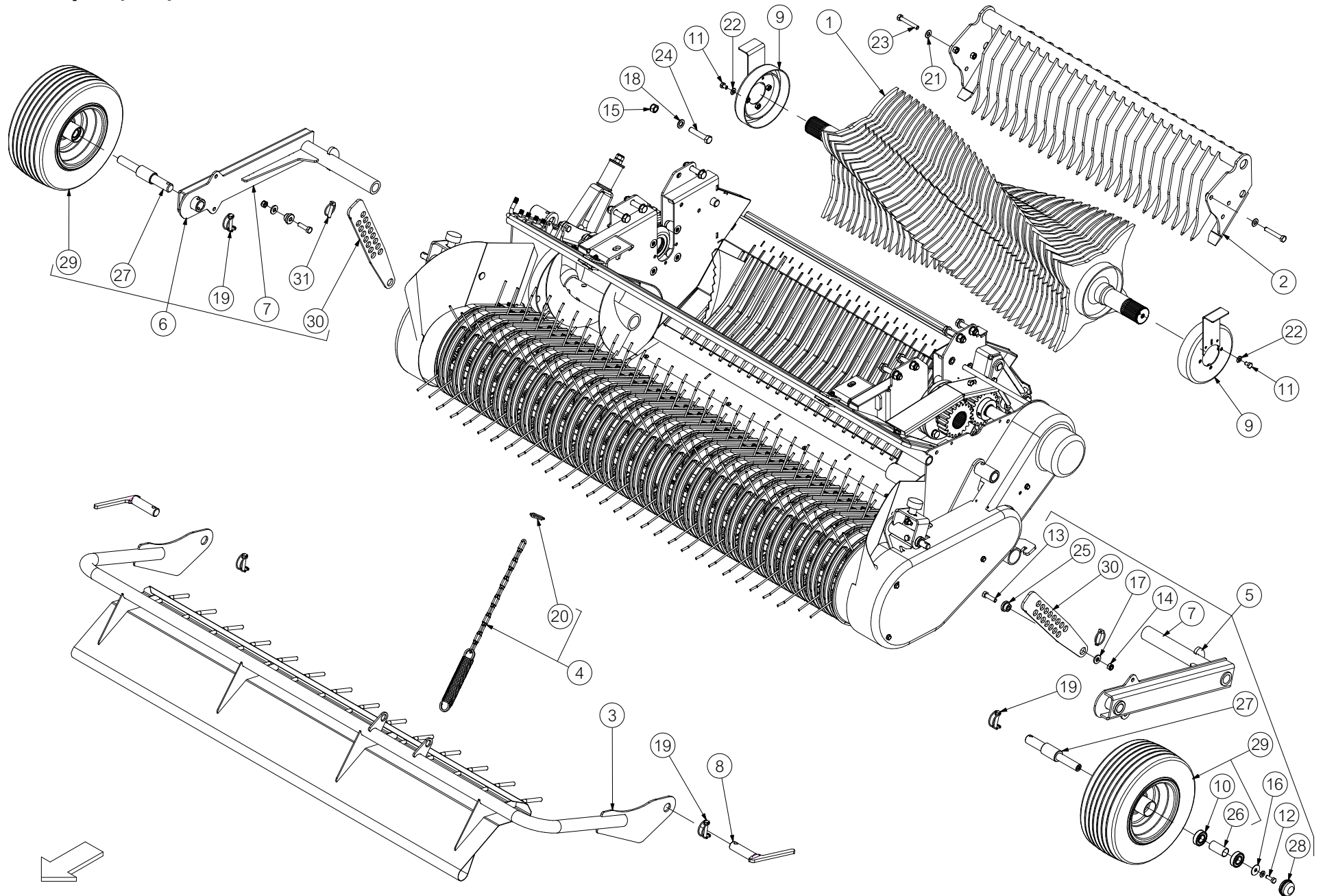
Pick-up drop floor suspension [From Serial No 710802 (F5400) & 803233 (V640)] (991)



No.	Part No	Description	Qty
2	ACH01547	DROP FLOOR NON CHOPPER BIG ROTOR	1
5	ALA00789	LINK ARM ASSY DROP FLOOR	2
<i>INCLUDES ITEMS 8, 10, 18 & 36 (REPLACES ALA00751)</i>			
6	CTP00536	FLOOR SUSPENSION SPRING TENSIONER BRCKT	2
<i>REPLACES ALA00754 WHICH CAN ALSO BE USED</i>			
7	KST00089	DUPLEX CHAIN BUFFER KIT	2
<i>80MM INSTALLATION LENGTH (INCLUDES 1x CBE00340 & 2x ITEM 52)</i>			
8	CBR00007	BEARING GLACIER PM 3025 DX	2
10	CBR00127	BEARING SPHERICAL 30MM GE30ES 2RS	2
14	CFA00024	SETSCREW M10X25 Z/P	4
18	CFA00118	GREASE NIPPLE M8X1.25 STRAIGHT	4
20	CFA00128	NUT M16 NYLOC	2
22	CFA00135	WASHER FLAT 1" Z/P	2
26	CFA00251	WASHER SKM10	4
27	CFA00339	CIRCLIP 20MM EXTERNAL	4
29	CFA00413	WASHER FLAT 20MM Z/P	4
32	CFA00519	SETSCREW M8X16 FLD ZP	2
33	CFA00556	SPLIT PIN 6X50 Z/P	2
36	CFA01083	CIRCLIP 50MM INTERNAL	4
39	CMH01109	WASHER 17X40X12 Z/P	2
43	CMH01656	BUSH 30X50X16 Z/P	2
44	CMH01711	PIN 20X36 Z/P	2
46	CRA00193	RAM CHOPPER FLOOR 20X40 BW	2
49	CZB00380	1.5MM D-FLOOR GUARD FUS3 & F5	1
<i>USED ON FUSION 3 & F5 MACHINES ONLY (REPLACES CZB00230)</i>			
49	AGD00002	DROP FLOOR GUARD V6 & VARIO	1
51	CZD02959	WASHER 10X40X4	4
52	CZD05074	4MM L WASHER 16X68X4	4

No.	Part No	Description	Qty
-----	---------	-------------	-----

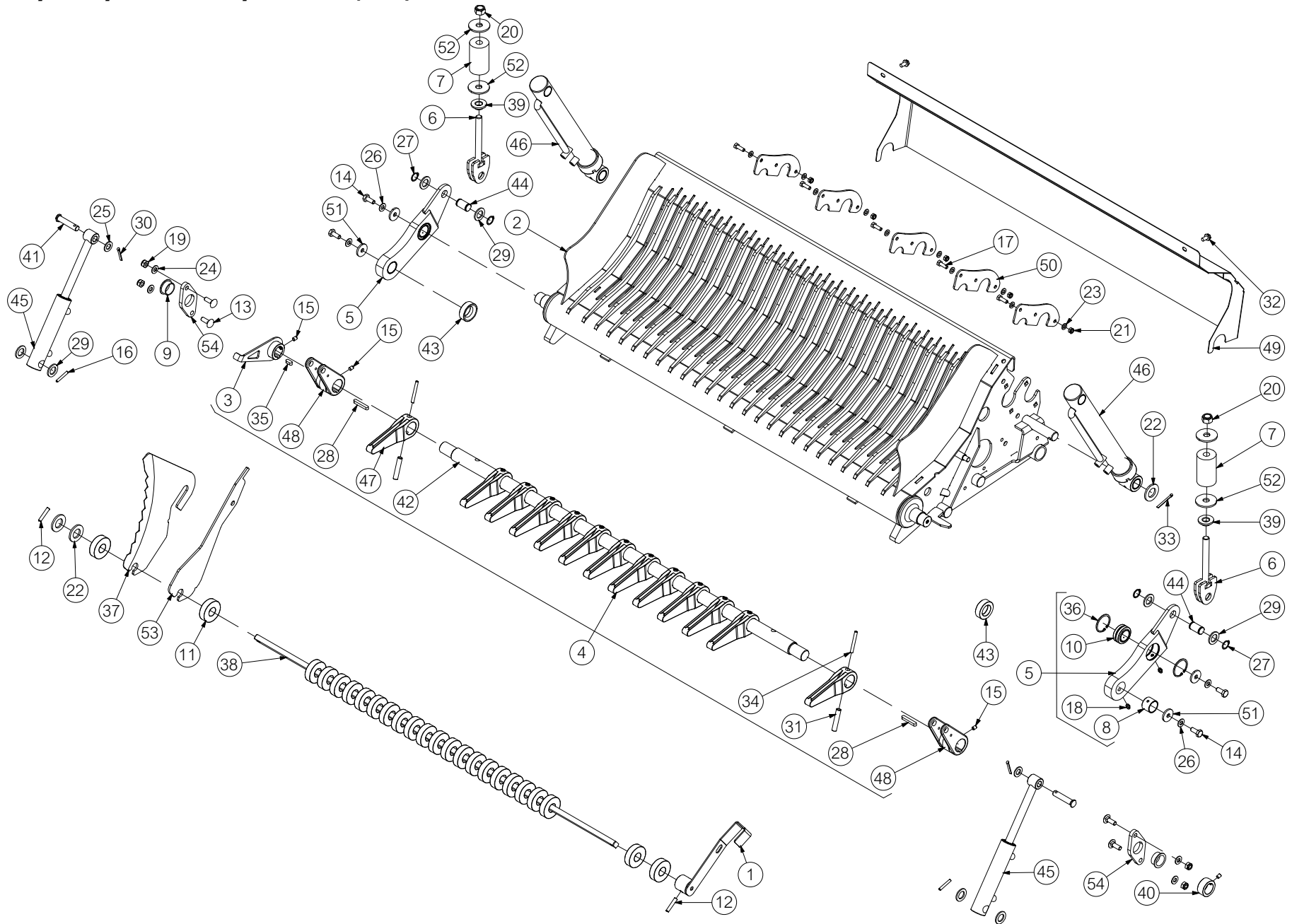
Pick-up 3 (899)



No.	Part No	Description	Qty
1	ACH00317	ROTOR 23 - 25 KNIFE WELD Ø500 <i>USED ON F5600 UP TO SERIAL No 710485 & ON V660 UP TO SERIAL No 802925 (STANDARD FLOOR)</i>	1
1a	CZF02684	6MML ROTOR PLATE (23-25 KNIFE) <i>REPLACEMENT ROTOR FINGER PLATE (NOTE: THERE ARE 2 FINGER PLATES PER FLIGHT)</i>	2
1	ACH01448	ROTOR 25 KNIFE WELD ASM Ø540MM <i>USED ON SUSPENSION FLOORS ONLY FROM SERIAL No 710486 (F5600) & 802926 (V660)</i>	1
1a	CZF07132	6MM L ROTOR PLATE 540 OD <i>REPLACEMENT (ACH01448) ROTOR FINGER PLATE (NOTE: THERE ARE 2 FINGER PLATES PER FLIGHT)</i>	2
1	ACH00573	ROTOR 15 KNIFE WELD ASM Ø500MM <i>USED ON V660 UP TO SERIAL No 803232 (STANDARD FLOOR)</i>	1
1a	CZG02136	8MM L ROTOR PLATE (0-15 KNIFE) <i>REPLACEMENT ROTOR FINGER PLATE (NOTE: THERE ARE 2 FINGER PLATES PER FLIGHT)</i>	2
1	ACH01531	ROTOR 15 KNIFE WELD ASM Ø540MM <i>USED ON V660 FROM SERIAL No 803233 (SUSPENSION FLOOR)</i>	1
1a	CZG04740	8MM L ROTOR PLATE 540 OD <i>REPLACEMENT (ACH01531) ROTOR FINGER PLATE (NOTE: THERE ARE 2 FINGER PLATES PER FLIGHT)</i>	2
1	ACH02958	KOREA BIG ROTOR 2 STAR Ø540 HD 7K <i>KOREAN (2 STAR ROTOR) MACHINES FROM SERIAL No 710802 ONWARDS (F5 SERIES)</i>	1
1	ACH02933	KOREAN ROTOR 2 STAR HEAVY DUTY 7K <i>KOREAN (2 STAR ROTOR) MACHINES FROM SERIAL No 710461 TO 710801 (F5 SERIES)</i>	1
1	ACH01353	KOREAN ROTOR (12MM FINGERS) 2 STAR <i>KOREAN (2 STAR ROTOR) MACHINES FROM SERIAL No 708408 TO 710460 (F5) & 801547 (V6) REPLACES ACH01089</i>	1
2	ALA00631	COMB 25 KNIFE F5000 RANGE <i>25 KNIFE F5000 MACHINES FROM SERIAL No 708118 (EXCEPT F5600 PLUS)</i>	1
2	ACH01475	COMB 25K F5600 NRF <i>USED ON 25 KNIFE F5600 PLUS MACHINES ONLY</i>	1
2	ACH00324	COMB 23K WELD ASSY F5 <i>23 KNIFE F5000 MACHINES UP TO SERIAL No 708117</i>	1
2	ALA00634	COMB 25 KNIFE V6 RANGE <i>25 KNIFE V660 MACHINES FROM SERIAL No 801430</i>	1
2	ACH02471	COMB 23 KNIFE BELT V660 MKII <i>23 KNIFE V660 MACHINES UP TO SERIAL No 801429</i>	1
2	ACH01046	15K COMB ASM STD V-SERIES BALER <i>STANDARD COMB FOR 15 KNIFE V660 MACHINES ONLY</i>	1
2	ACH03033	COMB 15K V6 SERIES C/W CLEANING FINGERS <i>CUSTOM COMB WITH ADDITIONAL CLEANING FINGERS FOR SPECIFIC MARKETS</i>	1
2	ACH02935	COMB F5000 KOREAN 2 STAR HD ROTOR 7K <i>KOREAN FIXED CHAMBER MACHINES (F5000 FROM SERIAL No 710461)</i>	1
2	ACH02619	COMB ASSY KOREA (2 STAR ROTOR) <i>KOREAN FIXED CHAMBER MACHINES (F5000 FROM SERIAL No 708408 TO 710460) REPLACES ACH02415</i>	1
2	ACH01385	COMB ASSY V660 KOREA (2 STAR ROTOR) <i>KOREAN VARIABLE CHAMBER MACHINES ONLY (V660)</i>	1
3	ACH01206	GRASS GUARD CHOPPER UNIT F550 <i>STD F5000 MACHINES ONLY</i>	1
4	ACN00042	GRASS COVER SPRING ASSY <i>INCLUDES ITEM 20</i>	1
5	ADB00051	PICKUP WHEEL COMP ASSY STD BALER	1
6	ADB00051	PICKUP WHEEL COMP ASSY STD BALER	1
7	ADB00052	PICKUP WHEEL ASSY ST BALER	2
8	ALA00035	HINGE PIN REEL FRONT	2
9	ARC00227	GRASS GUARD 23K ROTOR END SPUN <i>23-25 KNIFE MACHINES ONLY</i>	2
9	ARC00182	ROTOR SEAL RING ASSY (KOREA) M10 <i>15 KNIFE & KOREAN MACHINES ONLY</i>	2

No.	Part No	Description	Qty
10	CBR00009	BEARING 6205 2RS	4
11	CFA00022	SETSCREW M10X16 Z/P	6
12	CFA00031	SETSCREW M12X25 Z/P	2
13	CFA00079	BOLT M12X45	2
14	CFA00124	NUT M12 NYLOC	2
15	CFA00128	NUT M16 NYLOC	8
16	CFA00250	WASHER SKM12	2
16	CFA00718	WASHER MUDWING A13 Z/P	2
16	CFA00720	WASHER FLAT M26 Z/P DIN126	2
17	CFA00139	WASHER FLAT 12MM H/D Z/P	2
18	CFA00140	WASHER FLAT 16MM Z/P	16
19	CFA00194	LINCH PIN PIPE 10MMX50MM	4
20	CFA00202	LINCH PIN 6MM	1
21	CFA00250	WASHER SKM12	4
22	CFA00251	WASHER SKM10	6
23	CFA00777	BOLT M12X80 GRADE 10.9 S/C	4
24	CFA00498	BOLT M16 X 80 Z/P	8
25	CMH00771	BUSH 12X35 STEPPED	2
26	CMH00838	BUSH 27X30.25X62 REEL WHEEL	2
27	CMH00962	PIN 30X200 STEPPED	2
28	CTP00070	DUST CAP 170/60-8 VREDESTEIN	2
29	CWH00037	WHEEL 170/60-8 V64+ 6PLY PICK-UP <i>INCLUDES ITEMS 10 & 26</i>	2
30	CZG04245	8MM L WHEEL GUIDE PART	2
31	CFA00005	LINCH PIN 10MM	2

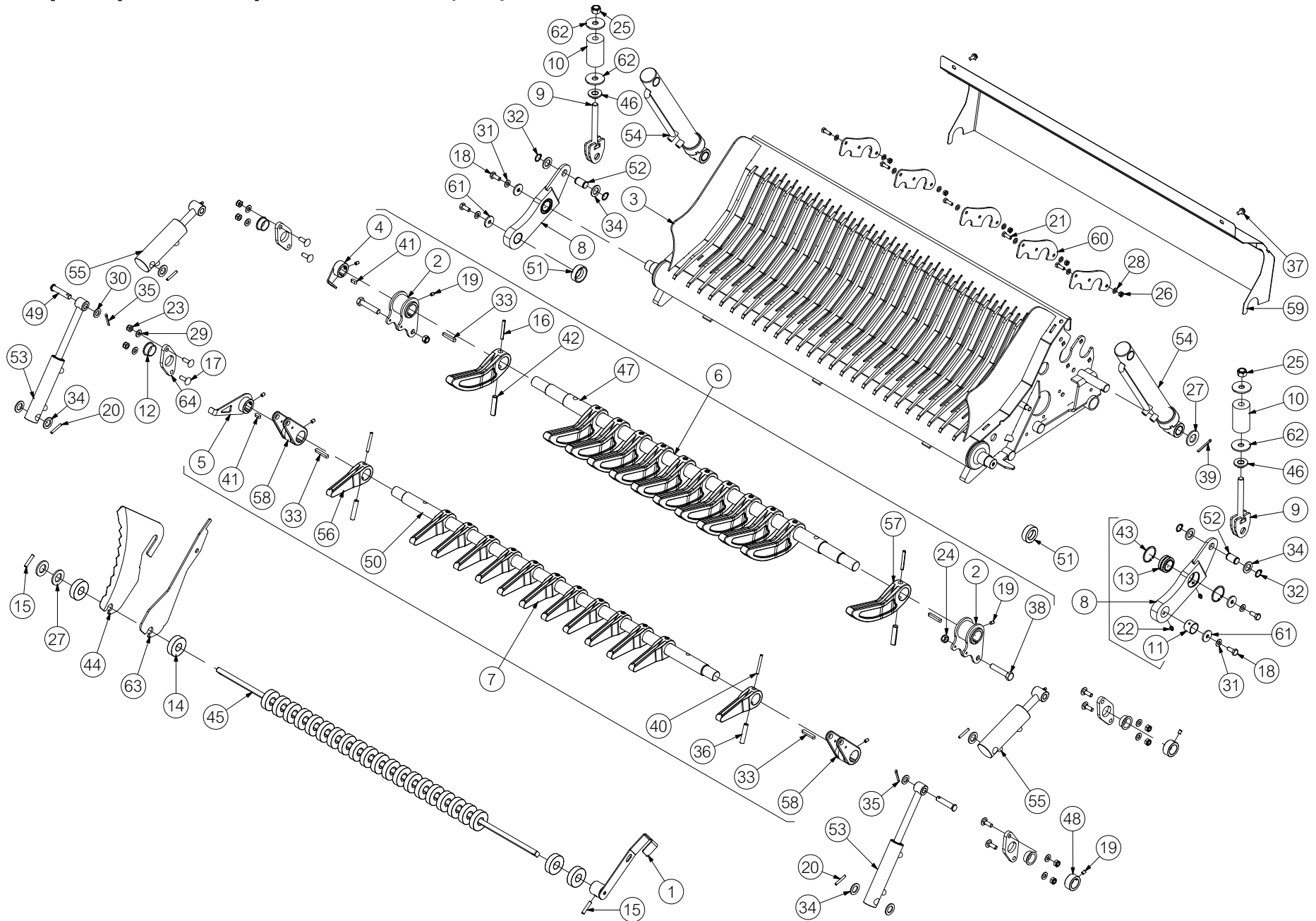
Pick-up drop floor suspension (971)



No.	Part No	Description	Qty
1	ACH00323	KNIFE RELEASE LEVER ASSY	1
2	ACH01607	SUSPENSION FLOOR WELD 25K BIG ROTOR	1
		<i>25K SUSPENSION FLOOR FROM SERIAL No 662200 (FUSION 3), 710486 (F5), 802926 (V6) & 900300 (VARIO)</i>	
2	ACH03015	SUSPENSION FLOOR 15K WELD ASM BIG ROTOR	1
		<i>15K SUSPENSION FLOOR FROM SERIAL No 710802 (F5), 803233 (V6) & 900300 (VARIO)</i>	
3	CTP00553	SENSOR READOUT KNIFE ARM	1
		<i>REPLACES ACN00147</i>	
4	ALA00790	25 KNIFE BAR COMP ASM BIG ROTOR	1
4	ALA00822	15 KNIFE ARM COMP ASM BIG ROTOR	1
5	ALA00789	LINK ARM ASSY DROP FLOOR	2
		<i>REPLACES ALA00751</i>	
6	CTP00536	FLOOR SUSPENSION SPRING TENSIONER BRCKT	2
		<i>REPLACES ALA00754 WHICH CAN ALSO BE USED</i>	
7	KST00089	DUPLEX CHAIN BUFFER KIT	2
		<i>80MM INSTALLATION LENGTH (INCLUDES 1x CBE00340 & 2x ITEM 52)</i>	
8	CBR00007	BEARING GLACIER PM 3025 DX	2
9	CBR00068	BEARING 30X34X16 STEPPED PLASTIC	2
10	CBR00127	BEARING SPHERICAL 30MM GE30ES 2RS	2
11	CEL00154	MAGNET 60 X24 X 17	25
12	CFA00009	ROLL PIN 8X40	2
13	CFA00017	SETSCREW M10X30 CUP SQ Z/P	4
14	CFA00024	SETSCREW M10X25 Z/P	4
15	CFA00051	GRUBSCREW M8X10	4
16	CFA00073	ROLL PIN 6X40	2
17	CFA00102	SETSCREW M8X25 Z/P	15
18	CFA00118	GREASE NIPPLE M8X1.25 STRAIGHT	4
19	CFA00123	NUT M10 NYLOC	4
20	CFA00128	NUT M16 NYLOC	2
21	CFA00132	NUT M8 NYLOC Z/P	16
22	CFA00135	WASHER FLAT 1" Z/P	4
23	CFA00147	WASHER FLAT 8MM Z/P	30
24	CFA00201	WASHER FLAT 10 MM Z/P	4
25	CFA00222	WASHER FLAT 14MM Z/P	2
26	CFA00251	WASHER SKM10	4
27	CFA00339	CIRCLIP 20MM EXTERNAL	4
28	CFA00387	KEY 8X7X50	2
29	CFA00413	WASHER FLAT 20MM Z/P	8
30	CFA00475	SPLIT PIN 5X40 Z/P	2
31	CFA00504	ROLL PIN 12X60 ZP	25
32	CFA00519	SETSCREW M8X16 FLD ZP	2
33	CFA00556	SPLIT PIN 6X50 Z/P	2
34	CFA00642	ROLL PIN M7X60	25
35	CFA00949	KEY 8X7X10	1
36	CFA01083	CIRCLIP 50MM INTERNAL	4
37	CKN00014	KNIFE CHOPPER UNIT STD (LONG)	25
38	CMH00641	SHAFT 22 X 1310	1
39	CMH01109	WASHER 17X40X12 Z/P	2
40	CMH01314	BUSH 30X45X20	1
41	CMH01483	PIN 14 X 70 Z/P	2
42	CMH01477	SHAFT 35X1315 (25 K BAR)	1

No.	Part No	Description	Qty
42	CMH01731	SHAFT 35X1320 SUSP FLOOR (15K BAR)	1
43	CMH01656	BUSH 30X50X16 Z/P	2
44	CMH01711	PIN 20X36 Z/P	2
45	CRA00185	RAM KNIFE ACTUATION BW	2
46	CRA00193	RAM CHOPPER FLOOR 20X40 BW	2
47	CTP00266	KNIFE ACTUATOR ARM	25
		<i>REPLACES ACH02267</i>	
48	CTP00372	KNIFE RAM ACTUATOR	2
49	CZB00380	1.5MM D-FLOOR GUARD FUS3 & F5	1
		<i>USED ON FUSION 3 UP TO SERIAL No 664000 & F5 MACHINES UP TO SERIAL No 712266</i>	
49	CZB00382	1.5MM SUSPENSION DROP FLOOR GUARD	1
		<i>USED ON FUSION 3 FROM SERIAL No 664001 & F5 MACHINES FROM SERIAL No 712267</i>	
49	AGD00002	DROP FLOOR GUARD V6 & VARIO	1
50	CZD02628	4MM L DROP FLOOR PART	5
51	CZD02959	WASHER 10X40X4	4
52	CZD05074	4MM L WASHER 16X68X4	4
53	CZE00306	5MM L KNIFE BLANK (BIG ROTOR)	1
54	CZH03537	10MM L SHAFT BUSH BRACKET	2

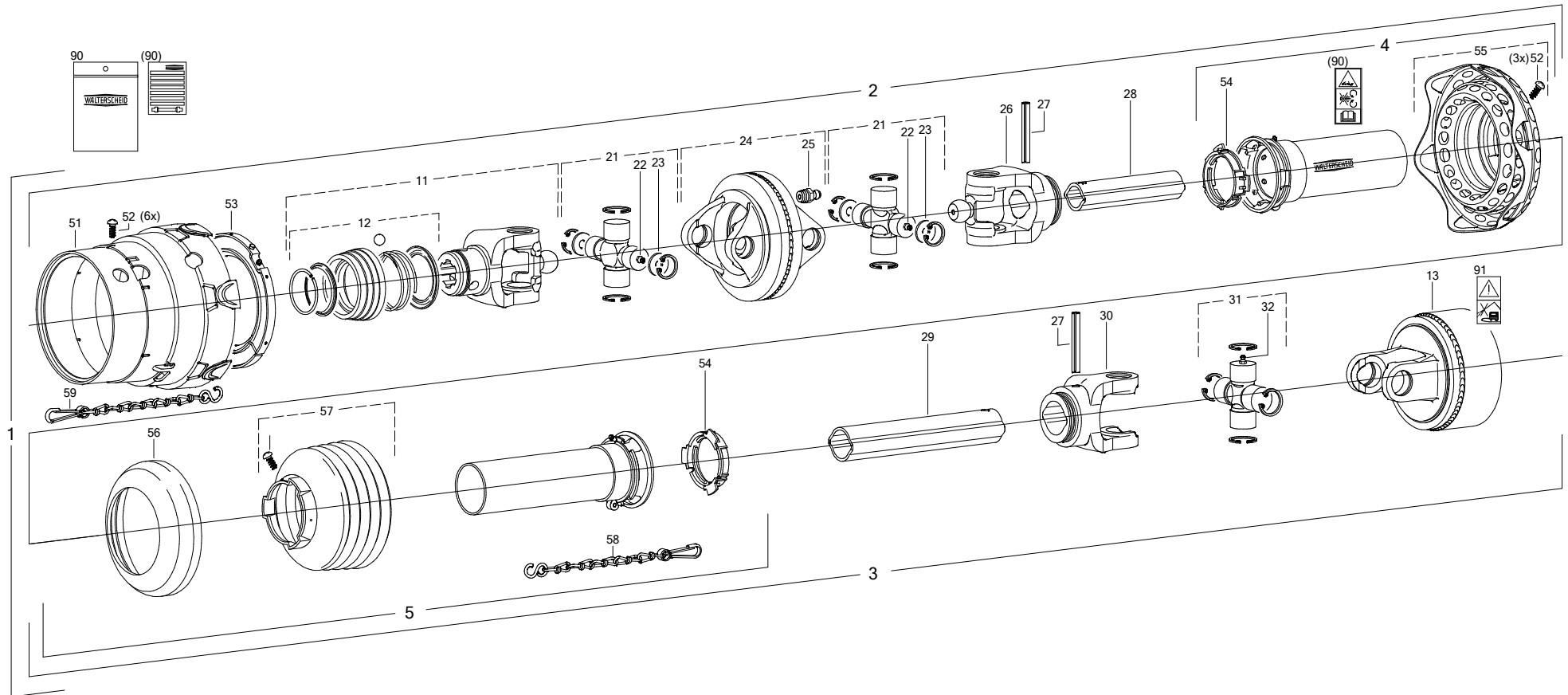
Pick-up drop floor suspension select (976)



No.	Part No	Description	Qty
1	ACH00323	KNIFE RELEASE LEVER ASSY	1
2	ACH01096	KNIFE ACTUATOR SELECT KNIFE	2
3	ACH01607	SUSPENSION FLOOR WELD 25K BIG ROTOR	1
<i>25K SUSPENSION FLOOR FROM SERIAL No 662200 (FUSION 3), 710486 (F5), 802926 (V6) & 900300 (VARIO)</i>			
3	ACH03015	SUSPENSION FLOOR 15K WELD ASM BIG ROTOR	1
<i>15K SUSPENSION FLOOR FROM SERIAL No 710802 (F5), 803233 (V6) & 900300 (VARIO)</i>			
4	ACN00127	KNIFE LEVER ARM SELECTABLE FLOOR	1
<i>USED UP TO SERIAL No 664000 (FUSION 3), 712266 (F5), 805179 (V6) & 900518 (VARIO)</i>			
4	ACN00181	SENSOR TARGET BRACKET SELECT KNIFE	1
<i>USED FROM SERIAL No 664001 (FUSION 3), 712267 (F5), 805180 (V6) & 900519 (VARIO)</i>			
5	CTP00553	SENSOR READOUT KNIFE ARM	1
<i>REPLACES ACN00147</i>			
6	ALA00437	23-25K SELECT KNIFE ARM 2 ASSY	1
<i>USED UP TO SERIAL No 664000 (FUSION 3), 712266 (F5), 805179 (V6) & 900518 (VARIO)</i>			
6	ALA00923	25K SELECT KNIFE ARM 2 ASSY	1
<i>USED FROM SERIAL No 664001 (FUSION 3), 712267 (F5), 805180 (V6) & 900519 (VARIO)</i>			
6	ALA00832	15K SELECT KNIFE ARM 2 ASSY BIG ROTOR	1
<i>USED UP TO SERIAL No 712266 (F5), 805179 (V6) & 900518 (VARIO)</i>			
6	ALA00924	15K SELECT KNIFE ARM 2 ASSY BIG ROTOR	1
<i>USED FROM SERIAL No 712267 (F5), 805180 (V6) & 900519 (VARIO)</i>			
7	ALA00577	25K SELECT KNIFE ARM 1 ASSY	1
7	ALA00831	15 KNIFE ARM 1 SEL FLOOR BIG ROTOR	1
8	ALA00789	SUSPENSION ARM DROP FLOOR	2
<i>REPLACES ALA00751</i>			
9	CTP00536	FLOOR SUSPENSION SPRING TENSIONER BRCKT	2
<i>REPLACES ALA00754 WHICH CAN ALSO BE USED</i>			
10	KST00089	DUPLEX CHAIN BUFFER KIT	2
<i>80MM INSTALLATION LENGTH (INCLUDES 1x CBE00340 & 2x ITEM 62)</i>			
11	CBR00007	BEARING GLACIER PM 3025 DX	2
12	CBR00068	BEARING 30X34X16 STEPPED PLASTIC	4
13	CBR00127	BEARING SPHERICAL 30MM GE30ES 2RS	2
14	CEL00154	MAGNET 60 X24 X 17	25
15	CFA00009	ROLL PIN 8X40	2
16	CFA00011	ROLL PIN 8X60	12
17	CFA00017	SETSCREW M10X30 CUP SQ Z/P	8
18	CFA00024	SETSCREW M10X25 Z/P	4
19	CFA00051	GRUBSCREW M8X10	8
20	CFA00073	ROLL PIN 6X40	4
21	CFA00102	SETSCREW M8X25 Z/P	15
22	CFA00118	GREASE NIPPLE M8X1.25 STRAIGHT	4
23	CFA00123	NUT M10 NYLOC	8
24	CFA00126	NUT M14 NYLOC	2
25	CFA00128	NUT M16 NYLOC	2
26	CFA00132	NUT M8 NYLOC Z/P	16
27	CFA00135	WASHER FLAT 1 Z/P	4
28	CFA00147	WASHER FLAT 8MM Z/P	30
29	CFA00201	WASHER FLAT 10 MM Z/P	8
30	CFA00222	WASHER FLAT 14MM Z/P	2
31	CFA00251	WASHER SKM10	4
32	CFA00339	CIRCLIP 20MM EXTERNAL	4
33	CFA00387	KEY 8X7X50	4

No.	Part No	Description	Qty
34	CFA00413	WASHER FLAT 20MM Z/P	10
35	CFA00475	SPLIT PIN 5X40 Z/P	2
36	CFA00504	ROLL PIN 12X60 Z/P	13
37	CFA00519	SETSCREW M8X16 FLD ZP	2
38	CFA00547	BOLT M14X70 Z/P	2
39	CFA00556	SPLIT PIN 6X50 Z/P	2
40	CFA00642	ROLL PIN M7X60	13
41	CFA00883	KEY 8X7X20	2
42	CFA01009	ROLL PIN 14 X 60 Z/P DIN 1481	12
43	CFA01083	CIRCLIP 50MM INTERNAL	4
44	KCN00014	KNIFE CHOPPER UNIT STD (LONG)	25
45	CMH00641	SHAFT 22 X 1310	1
46	CMH01109	WASHER 17X40X12 Z/P	2
47	CMH01308	SHAFT40X1320 23-25KNIFE SELECT	1
47	CMH01734	SHAFT 40X1320 15K SELECT ARM 2	1
48	CMH01314	BUSH 30X45X20	2
49	CMH01483	PIN 14 X 70 Z/P	2
50	CMH01496	SHAFT 35X1320 (25 K BAR) SELECT	1
50	CMH01731	SHAFT 35X1320 SUSP FLR 15K BAR	1
51	CMH01656	BUSH 30X50X16 Z/P	2
52	CMH01711	PIN 20X36 Z/P	2
53	CRA00185	RAM KNIFE ACTUATION BW	2
54	CRA00193	RAM CHOPPER FLOOR 20X40 BW	2
55	CRA00637	RAM 45X20 SELECT KNIFE	2
56	CTP00266	KNIFE ACTUATOR ARM	13
57	CTP00360	KNIFE ARM SELECTABLE FLOOR	12
58	CTP00372	KNIFE RAM ACTUATOR	2
59	CZB00380	1.5MM D-FLOOR GUARD FUS3 & F5	1
<i>USED ON FUSION 3 UP TO SERIAL No 664000 & ON F5 SERIES UP TO SERIAL No 712266</i>			
59	CZB00382	1.5MM SUSPENSION DROP FLOOR GUARD	1
<i>USED ON FUSION 3 FROM SERIAL No 664001 & ON F5 SERIES FROM SERIAL No 712267</i>			
59	AGD00002	DROP FLOOR GUARD V6 & VARIO	1
60	CZD02628	4MM L DROP FLOOR PART	5
61	CZD02959	WASHER 10X40X4	4
62	CZD05074	4MM L WASHER 16X68X4	4
63	CZE00306	5MM L KNIFE BLANK BIG ROTOR	1
64	CZH03537	10MM L SHAFT BUSH BRACKET	4

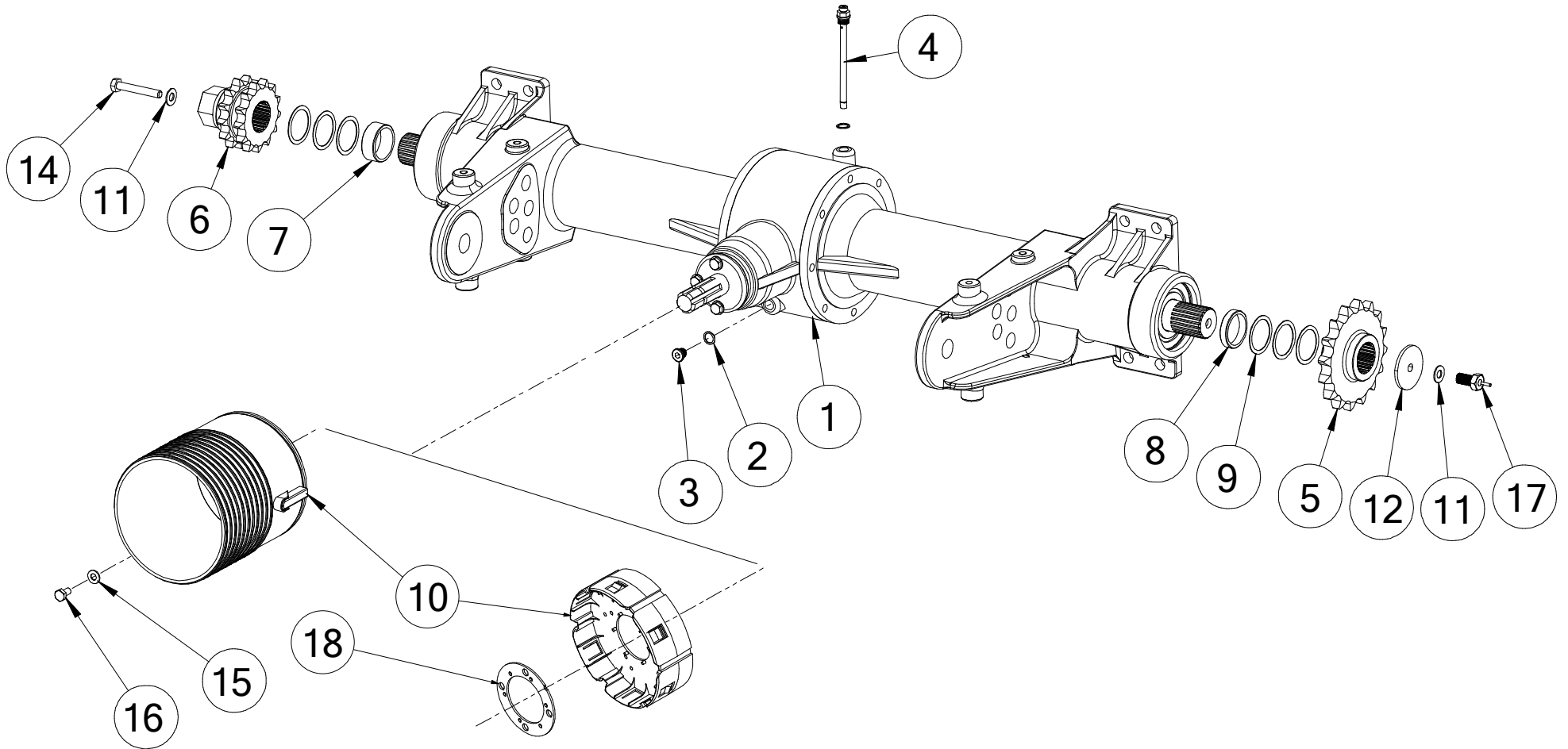
PTO shaft [WWE2480]



No.	Part No	Description	Qty
1	CMT00165	PTO SHAFT 1560MM FUSION2	1
2	CMT00178	PTO SHAFT FUS 2 TRACTOR HALF	1
3	CMT00179	PTO SHAFT FUSION 2 BALER HALF	1
4	CMT00402	PTO TUBE GUARDS FOR CMT00165	1
<i>COMPLETE SLEEVE ASM (REPLACES CMT00167 - TRACTOR HALF)</i>			
5	CMT00402	PTO TUBE GUARDS FOR CMT00165	1
<i>COMPLETE SLEEVE ASM (REPLACES CMT00168 - MACHINE HALF)</i>			
11	CMT00081	YOKE QUICK DISCONNECT 1 3/4" 6 SPLINE	1
11	CMT00186	YOKE END 1 3/4" 20 SPLINE OPTION	1
12	CMT00174	KIT QUICK RELEASE DRV SF 6 SPLINE ONLY	1
13	CMT00083	CLUTCH CAM TYPE FUSION	1
13a	CMT00471	SPRING PACK CLUTCH 2200NM K64/24	1
13b	CMT00158	CLAMP PIN BALER PTO SHAFT 7540	1
<i>BOLT-PIN TO SECURE PTO SHAFT TO PTO STUB ON MACHINE GEARBOX</i>			
21	CMT00084	UNIVERSAL JOINT TYPE 1	2
22	CFA00097	GREASE NIPPLE	2
23	CMT00085	PLATE DIA 26.95X2 FUSION PTO	4
24	CMT00086	YOKE DOUBLE WITH GREASE NIPPLE	1
25	CFA00628	GREASE NIPPLE M8X1 STRAIGHT	1
26	CMT00087	YOKE INNER SMALL PROFILE TUBE	1
27	CFA00629	SPLIT PIN 10X80	2
28	CMT00188	PROFILE TUBE COATED INNER	1
29	CMT00190	PROFILE TUBE OUTER	1
30	CMT00090	INNER YOKE LARGE PROFILE TUBE	1
31	CMT00091	UNIVERSAL JOINT TYPE 2	1
32	CFA00103	GREASE NIPPLE	1
51	CMT00169	CONE GUARD PTO FUSION	1
52	CFA00630	SCREW M4X10 FUSION PTO	10
53	CMT00093	BEARING RING LARGE DIA. FUSION	1
54	CMT00095	BEARING RING SMALL FUSION PTO	2
55	CMT00189	FLEXIBLE GUARD CONE	1
56	CMT00096	REINFORCEMENT COLLAR FUSION	1
57	CMT00097	GUARD CONE FUSION PTO	1
58	CCH00046	SAFETY CHAIN 400MM FUSION PTO	1
59	CCH00047	SAFETY CHAIN 600MM FUSION PTO	1
90	CLT00082	DECAL+MANUAL WARNING PTO SHAFT	1
91	CST00133	DECAL NO HIGH PRESSURE CLEANER	1

No.	Part No	Description	Qty
-----	---------	-------------	-----

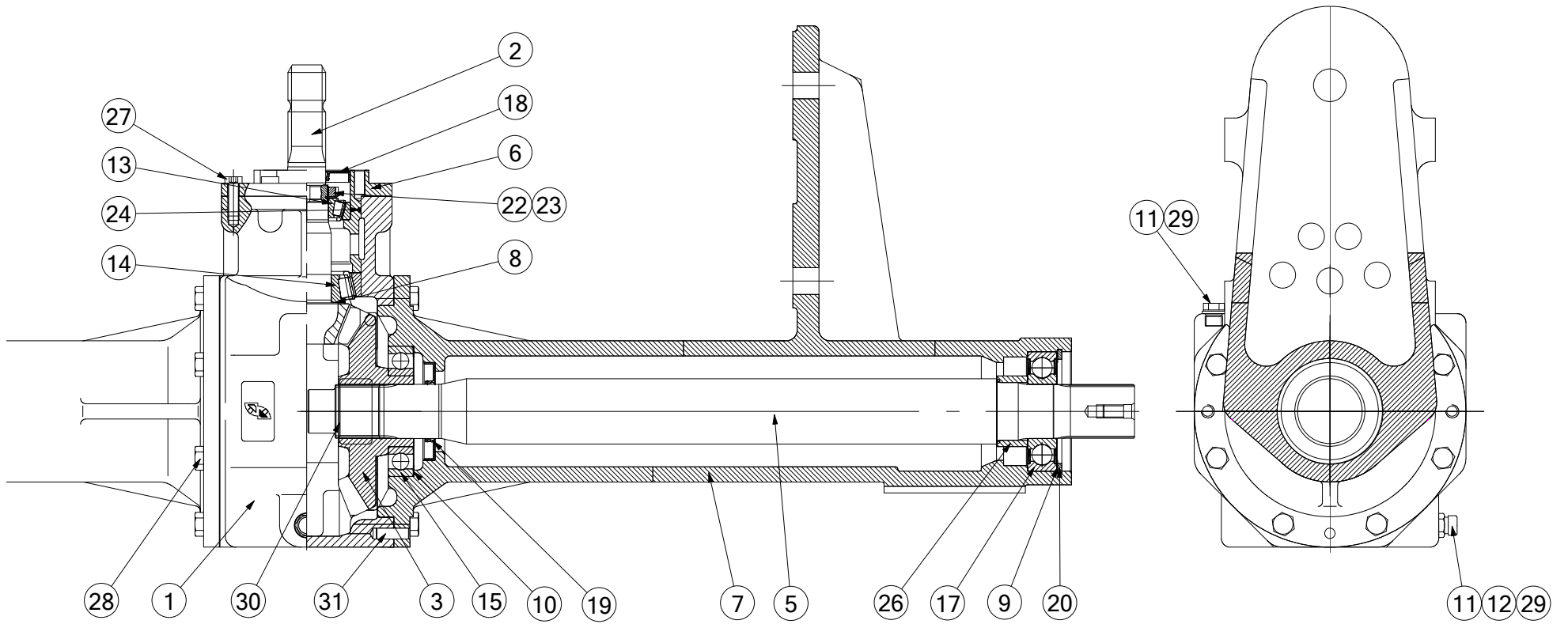
Gearbox 1 (605)



No. Part No	Description	Qty
1 CMT00106	GEARBOX ASSY ST BALE	1
<i>540 RPM GEARBOX ASSEMBLY STANDARD (SHOWN)</i>		
1 CMT00498	GEARBOX 1000RPM HEAVY DUTY	1
<i>1000 RPM GEARBOX ASSEMBLY OPTIONAL (NOT SHOWN)</i>		
2 CSE00127	SEAL O-RING COPPER GEARBOX	2
<i>USED ON 540 RPM GEARBOX ONLY</i>		
3 CMT00073	DRAIN PLUG GEARBOX FUSION	1
<i>USED ON 540 RPM GEARBOX ONLY</i>		
4 CMT00072	FILLER BREATHER BALER GEARBOX	1
<i>USED ON 540 RPM GEARBOX CMT00106 ONLY</i>		
5 CMH02317	SPROCKET 1 1/4" 17T 50MM SPLINE	1
6 ARC00144	SPROCKET 13T DUPLEX ASSY	1
7 CMH01029	BUSH 50X60X23 F550 GEARBOX	1
8 CMH01030	BUSH 50X60X12 F550 GEARBOX	1
9 CFA00048	SHIM 50X62X1.0	6
10 CMT00156	GUARD GEARBOX	1
<i>USED WITH STD PTO SHAFT ON 540 RPM GEARBOX ONLY</i>		
10 CMT00395	PTO SHAFT GEARBOX ADAPTOR RING	1
<i>USED WITH HEAVY DUTY PTO SHAFT ON EITHER 540 RPM OR 1000 RPM GEARBOX</i>		
11 CFA00250	WASHER SKM12	2
12 CMH02963	BUSH STEPPED 12X70X10 Z/P	1
<i>REPLACES CZH02119 & CZC04301</i>		
14 CFA00330	BOLT M12X80 Z/P	1
15 CFA00251	WASHER SKM10	4
16 CFA00023	SETSCREW M10X20 Z/P	4
17 CVA00563	BEKA OIL PUMP DRIVE	1
18 CZC05636	3 MM L ADAPTOR PLATE	1
<i>USED WITH HEAVY DUTY PTO SHAFT ADAPTOR RING ON EITHER 540 RPM OR 1000 RPM GEARBOX</i>		

No. Part No	Description	Qty
-------------	-------------	-----

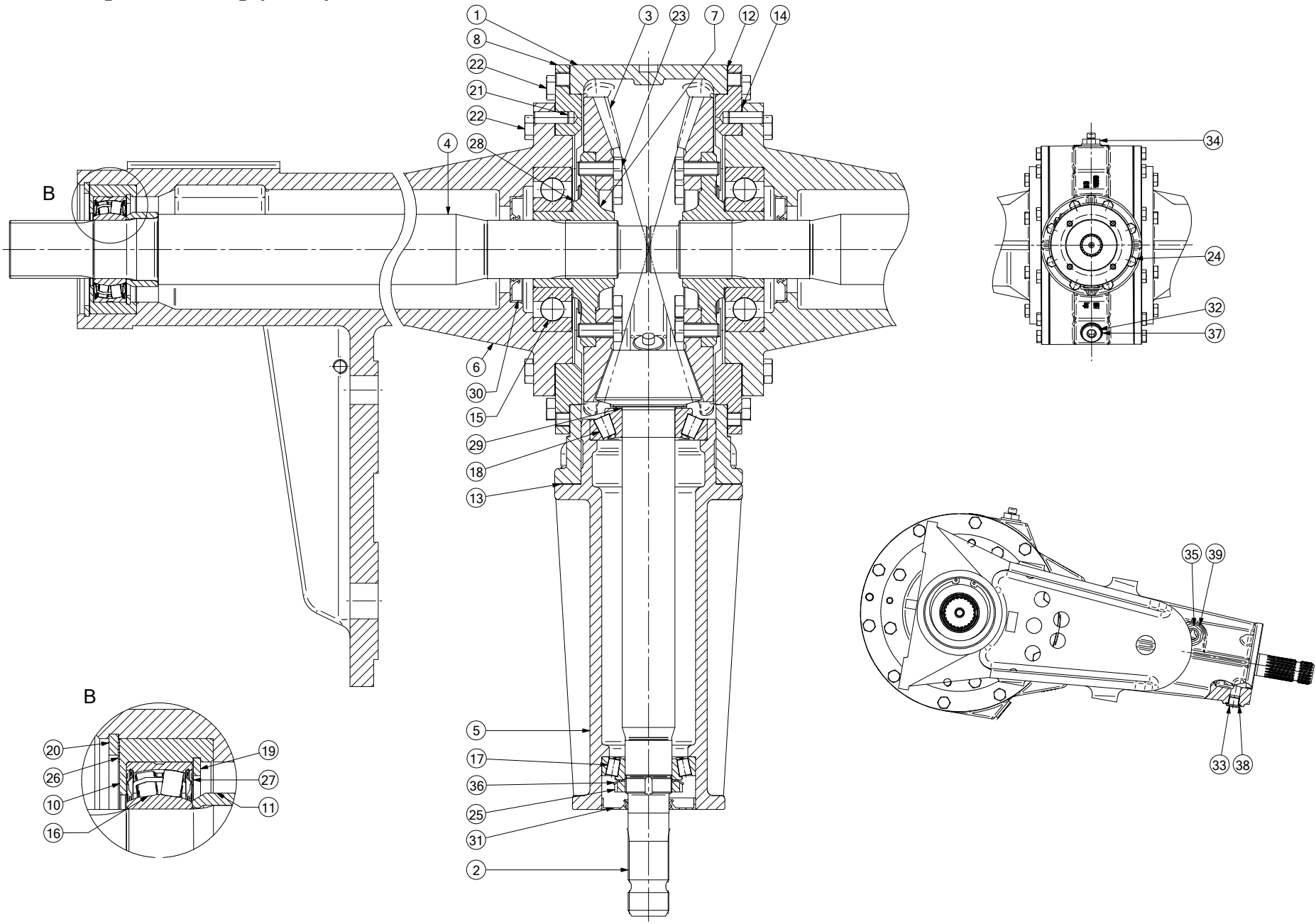
Gearbox 2 [540 RPM] (135)



No.	Part No	Description	Qty
0	CMT00106	GEARBOX ASM ST BALER 540RPM SS	1
<i>COMPLETE 540 RPM GEARBOX ASSEMBLY</i>			
1	CMT00161	GEARBOX HOUSING CENTRE	1
2	CMH02251	INPUT SHAFT (PINION)	1
3	CMH02252	BEVEL GEAR	2
<i>UP TO SERIAL NO. 704582 (F5 series) UP TO SERIAL NO. 800099 (V6 series)</i>			
3	CMH02458	BEVEL GEAR	2
<i>FROM SERIAL NO. 704583 (F5 series) FROM SERIAL NO. 800100 (V6 series)</i>			
5	CMH02253	MAIN SHAFT	2
6	CMT00160	INPUT ASSY HOUSING	1
7	CMT00104	GEARBOX HOUSING LEFT/RIGHT	2
<i>UP TO SERIAL NO. 704582 (F5 series) UP TO SERIAL NO. 800099 (V6 series)</i>			
7	CMT00244	GEARBOX HOUSING LEFT/RIGHT	2
<i>FROM SERIAL NO. 704583 (F5 series) FROM SERIAL NO. 800100 (V6 series)</i>			
8	CFA02204	SHIM 45X55X0.1	0
8	CFA02205	SHIM 45X55X0.2	0
8	CFA02206	SHIM 45X55X0.5	0
8	CFA02207	SHIM 45X55X1	0
9	CFA02208	SHIM 90X110X0.1	0
9	CFA02209	SHIM 90X110X0.2	0
9	CFA02210	SHIM 90X110X0.5	0
9	CFA02211	SHIM 90X110X1	0
10	CFA00658	SHIM 100X120X0.1	0
10	CFA02212	SHIM 100X120X0.2	0
10	CFA00660	SHIM 100X120X0.5	0
10	CFA00661	SHIM 100X120X1	0
11	CMT00073	DRAIN PLUG GEARBOX FUSION	1
12	CMT00072	FUSION GEARBOX BREATHER	1
13	CBR00115	TAPER ROLLER BEARING 3020 8A	1
14	CBR00116	TAPER ROLLER BEARING 3030 9A	1
15	CBR00114	BEARING 6213 C3	2
<i>UP TO SERIAL NO. 704582 (F5 series) UP TO SERIAL NO. 800099 (V6 series)</i>			
15	CBR00296	BEARING 6313 C3	2
<i>FROM SERIAL NO. 704583 (F5 series) FROM SERIAL NO. 800100 (V6 series)</i>			
17	CBR00113	BEARING 6310 2RSR	2
18	CSE00132	RADIAL SEAL 35X80X10	1
19	CSE00133	RADIAL SEAL 50X90X10	2
20	CFA00652	CIRCLIP 110X4	2
22	CFA02202	SLOTTED NUT KM 8	1
23	CFA02203	LOCKING WASHER MB 8	1
24	CSE00142	O RING 95X3MM	1
26	CMH02255	BUSHING	2
27	CFA00025	SETSCREW M10X30	6
28	CFA00324	SETSCREW M12X40	12
29	CSE00127	COPPER WASHER	2
30	CST00624	NAME/ RATING PLATE	1
31	CFA00662	DOWEL	2
32	REP00040	GEARBOX REPAIR KIT	0
<i>UP TO SERIAL NO. 704582 (F5 series) UP TO SERIAL NO. 800099 (V6 series)</i>			
32	REP00056	GEARBOX REPAIR KIT	0

No.	Part No	Description	Qty
		<i>FROM SERIAL NO. 704583 (F5 series) FROM SERIAL NO. 800100 (V6 series)</i>	

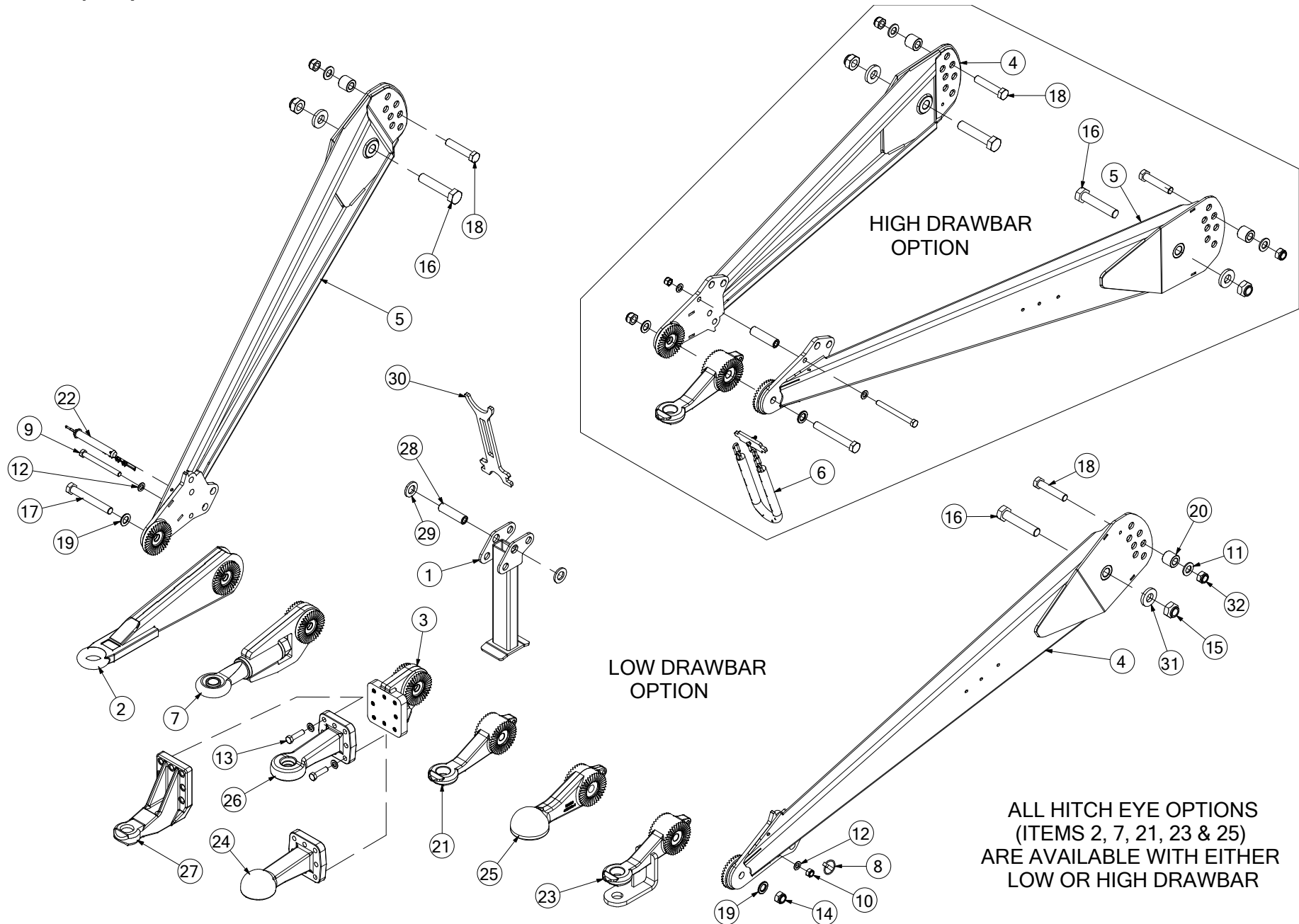
Gearbox 3 [1000 RPM] (1132)



No.	Part No	Description	Qty
0	CMT00498	GEARBOX 1000RPM HEAVY DUTY	1
<i>COMPLETE 1000RPM GEARBOX ASM</i>			
1	CMT00666	CENTER HOUSING 1000RPM GEARBOX HD	1
2	CMT00667	INPUT PINION SHAFT 1000RPM SS	1
3	CMT00686	CROWN WHEEL 1000RPM SS	2
4	CMH02253	SHAFT SS GEARBOX	2
5	CMT00668	INPUT PINION SHAFT HOUSING 1000RPM GB	1
6	CMT00669	1000RPM GEAR BOX SHAFT HOSUING LHS/RHS	2
7	CMT00670	1000RPM GEARBOX HUB	2
8	CMT00671	BOLT ON COLLAR CENTER HUB 1000RPM GB	2
10	CMT00672	1000RPM GB BEARING BUSHING SHAFT END	2
<i>USED ON FUSION 3 FROM SERIAL No 665220</i>			
11	CMT00673	1000RPM GB SLEEVE SHAFT END	2
<i>USED ON FUSION 3 FROM SERIAL No 665220</i>			
12	CSE40043	SEAL \diamond 313X \diamond 265X0,5	2
13	CSE40044	SEAL \diamond 158x \diamond 115x0,5	1
14	CSE40045	SEAL \diamond 248x \diamond 195x0,5	2
15	CBR00296	BEARING 6313 C3	2
16	CBR00113	BEARING 6310-2RS1 SKF EXPLORER	2
<i>USED ON FUSION 3 UP TO SERIAL No 665219</i>			
16	CBR00385	BEARING BS2-2210-2RS/VT143	2
<i>USED ON FUSION 3 FROM SERIAL No 665220</i>			
17	CBR00115	BEARING TAPER 30208A 40X80X20	1
18	CBR02011	BEARING TAPER ROLLER 31309	1
19	CFA00903	CIRCLIP 90MM INTERNAL DIN472	2
<i>USED ON FUSION 3 FROM SERIAL No 665220</i>			
20	CFA00631	CIRCLIP 110 INTERNAL DIN 472	2
21	CFA02419	CYLINDRICAL PIN 10M6X30	2
22	CFA00806	SETSCREW M12X30 8.8 DIN933 PLAIN	36
23	CFA02420	SETSCREW M12X30 10.9 DIN933 PLAIN	16
24	CFA00025	SETSCREW M10X30 Z/P	8
25	CFA02421	KM 8 BEARING LOCKNUT	1
26	CFA02208	SHIM 90X110X0.1	1
<i>USED ON FUSION 3 FROM SERIAL No 665220</i>			
26	CFA02209	SHIM 90X110X0.2	1
<i>USED ON FUSION 3 FROM SERIAL No 665220</i>			
26	CFA02210	SHIM 90X110X0.5	1
<i>USED ON FUSION 3 FROM SERIAL No 665220</i>			
26	CFA02211	SHIM 90X110X1	1
<i>USED ON FUSION 3 FROM SERIAL No 665220</i>			
27	CFA02428	SHIM 70X90X0.1	1
<i>USED ON FUSION 3 FROM SERIAL No 665220</i>			
27	CFA02429	SHIM 70X90X0.2	1
<i>USED ON FUSION 3 FROM SERIAL No 665220</i>			
27	CFA02425	SHIM 70X90X0.5	1
<i>USED ON FUSION 3 FROM SERIAL No 665220</i>			
28	CFA02430	SHIM 65X85X0.1	1
28	CFA02431	SHIM 65X85X0.2	1
28	CFA02432	SHIM 65X85X0.5	1
28	CFA02424	SHIM 65X85X1	1
29	CFA02204	SHIM 45X56X0.1	1

No.	Part No	Description	Qty
29	CFA02205	SHIM 45X56X0.2	1
29	CFA02206	SHIM 45X56X0.5	1
29	CFA02207	SHIM 45X56X1	1
30	CSE00133	SEAL RADIAL 50X90X10	2
31	CSE00132	SEAL RADIAL 35X80X10 DIN 3760	1
32	CMT00674	DRAIN PLUG 3/4 GEARBOX	1
33	CFA01216	PLUG G3/8 DIN908	1
34	CMT00675	BREATHER 3/4 1000RPM GEARBOX	1
35	CFA02426	SIGHT GLASS G 1/2 WASHER	1
36	CFA02427	MB8 LOCK WASHER	1
37	CFA02422	WASHER 26X31-AI ALUMINIUM	2
38	CFA01217	WASHER ALUMINIUM 1.5X17X22	1
39	CFA02423	WASHER ALUMINIUM 2X21X27	1

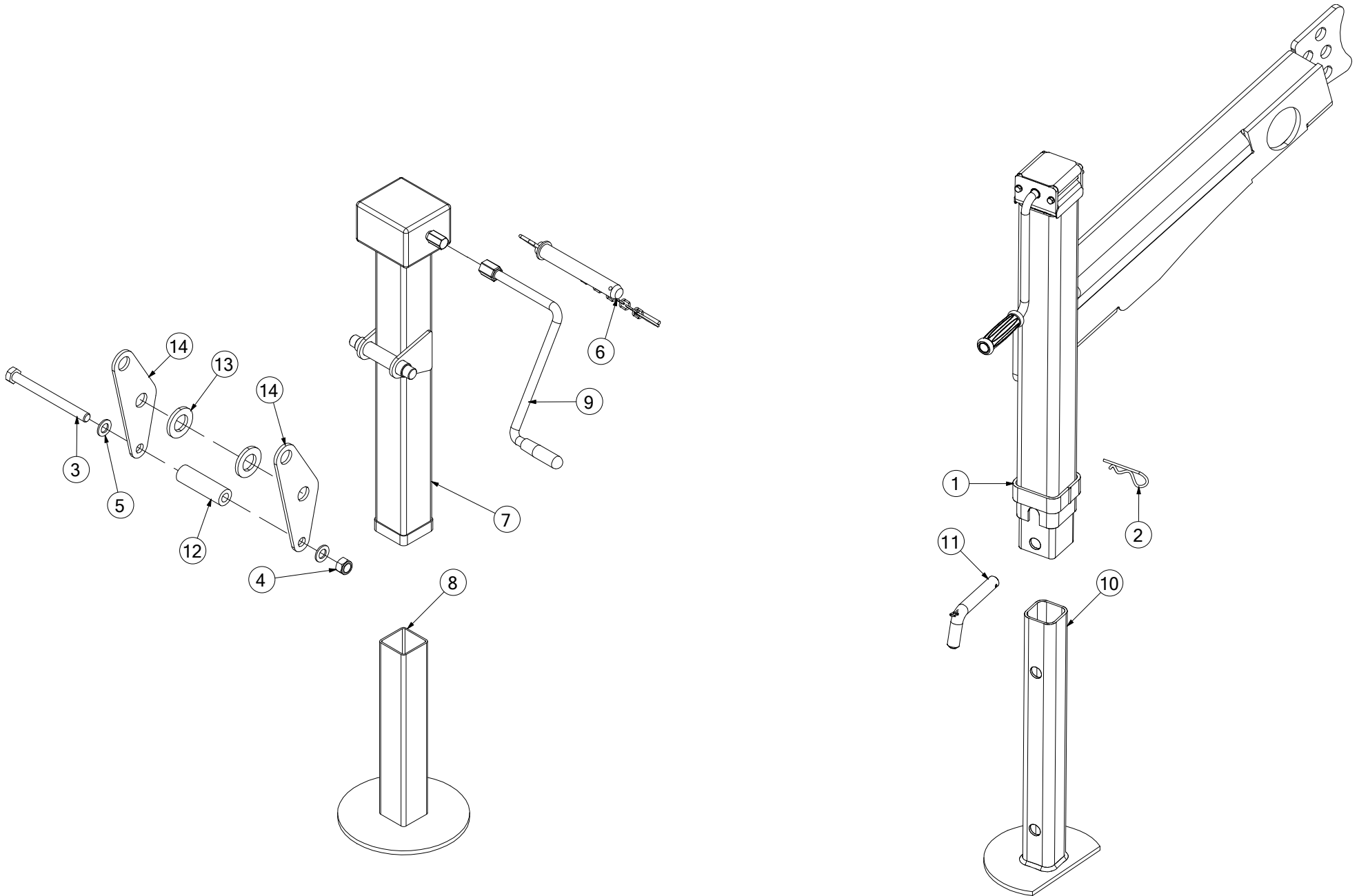
Drawbar (952)



No.	Part No	Description	Qty
0	ADB00140	DRAWBAR COMPLETE ASSEMBLY <i>INCLUDES STANDARD HITCH EYE ITEM 21</i>	1
1	ADB00068	DRAWBAR STAND SWIVEL STANDARD	1
2	ADB00083	HITCH EYE 600MM CTR (NORWAY) <i>OPTIONAL</i>	1
3	ADB00095	GERMAN COUPLING ADAPTOR 8-HOLE <i>NO LONGER AVAILABLE</i>	1
4	ADB00141	DRAWBAR WELD (LEFT) FUSION <i>STANDARD DRAWBAR LH</i>	1
4	ADB00204	DRAWBAR WELD (LONG) LEFT FUSION <i>LONG DRAWBAR LH USED WITH BALL COUPLING (ITEM 25) ONLY</i>	1
5	ADB00142	DRAWBAR WELD (RIGHT) FUSION <i>STANDARD DRAWBAR RH</i>	1
5	ADB00205	DRAWBAR WELD (LONG) RIGHT FUSION <i>LONG DRAWBAR RH USED WITH BALL COUPLING (ITEM 25) ONLY</i>	1
6	ADB00163	HIGH DRAWBAR PTO HOLDER <i>PTO HOLDER FOR HIGH DRAWBAR OPTION ONLY (REPLACES ADB00100)</i>	1
7	ADB00174	HITCH EYE SWIVEL 50MM FUSION 3 <i>OPTIONAL</i>	1
8	CFA00005	LINCH PIN 10MM	1
9	CFA00061	BOLT M16X170 ZP DIN931 8.8 Z/P	1
10	CFA00128	NUT M16 NYLOC	1
11	CFA00135	WASHER FLAT 1" Z/P	2
12	CFA00140	WASHER FLAT 16MM Z/P	10
13	CFA00409	BOLT M16 X 60 Z/P	8
14	CFA00130	NUT M24 STD NYLOC Z/P	1
15	CFA00420	NUT M30X2 NYLOC DIN985 8.8 Z/P	2
16	CFA00522	BOLT M30X2X150 DIN960 10.9 Z/P	2
17	CFA00795	BOLT M24X3X180 STD GRADE 8.8 Z/P	1
18	CFA00748	BOLT M24X2X120 DIN960 10.9 Z/P	2
19	CFA00796	WASHER PEINER M24 GALV DIN6916	2
20	CMH01005	BUSH 44.45X20X40	2
20	CMH01950	BUSH 25X60 STEPPED 45 <i>ECCENTRIC BUSH USED WITH LONG DRAWBAR/BALL COUPLING OPTION ONLY</i>	2
21	ADB00150	HITCH EYE COUPLING RING STD Ø40 <i>STANDARD HITCH EYE (ADB00150 IS A DIRECT REPLACEMENT FOR CTP00092 & CTP00317)</i>	1
22	CTP00265	PIN HITCH 1" BALER DRAWBAR	1
23	CTP00274	HITCH EYE AMERICIAN BALER <i>OPTIONAL</i>	1
24	CTP00292	COUPLING HEAD BALL K80-3192 8H <i>NO LONGER AVAILABLE - ORDER ADB00198 (ITEM 25)</i>	1
25	ADB00198	K80 ISO24347 BALL COUPLER SPOON <i>OPTIONAL</i>	1
26	CTP00367	HITCH EYE 100X110 DIN11026 40Ø <i>NO LONGER AVAILABLE - ORDER ADB00150 (ITEM 21)</i>	1
27	CTP00469	HITCH EYE_00.652.50.1-A02_DIN11026 <i>NO LONGER AVAILABLE - ORDER ADB00150 (ITEM 21)</i>	1
27a	CFA02275	SETSCREW M16X60 SOC CAP 10.9 Z/P <i>USED IN BOTTOM CENTRE HOLE</i>	1
27b	CFA00783	WASHER NL16 NORD-LOCK <i>USED IN BOTTOM CENTRE HOLE</i>	1
28	CXT00419	BUSHING C030X7X112	1

No.	Part No	Description	Qty
29	CZF04263	6MM L DRAWBAR WASHER Z/P	2
30	CZH02914	10MM L PTO SUPPORT STAND BALER <i>PTO HOLDER FOR LOW DRAWBAR OPTION ONLY</i>	1
31	CZH04335	10MM L WASHER 30X65X10 Z/P	2
32	CFA00419	NUT M24X2 NYLOC DIN985 8.8 Z/P	2

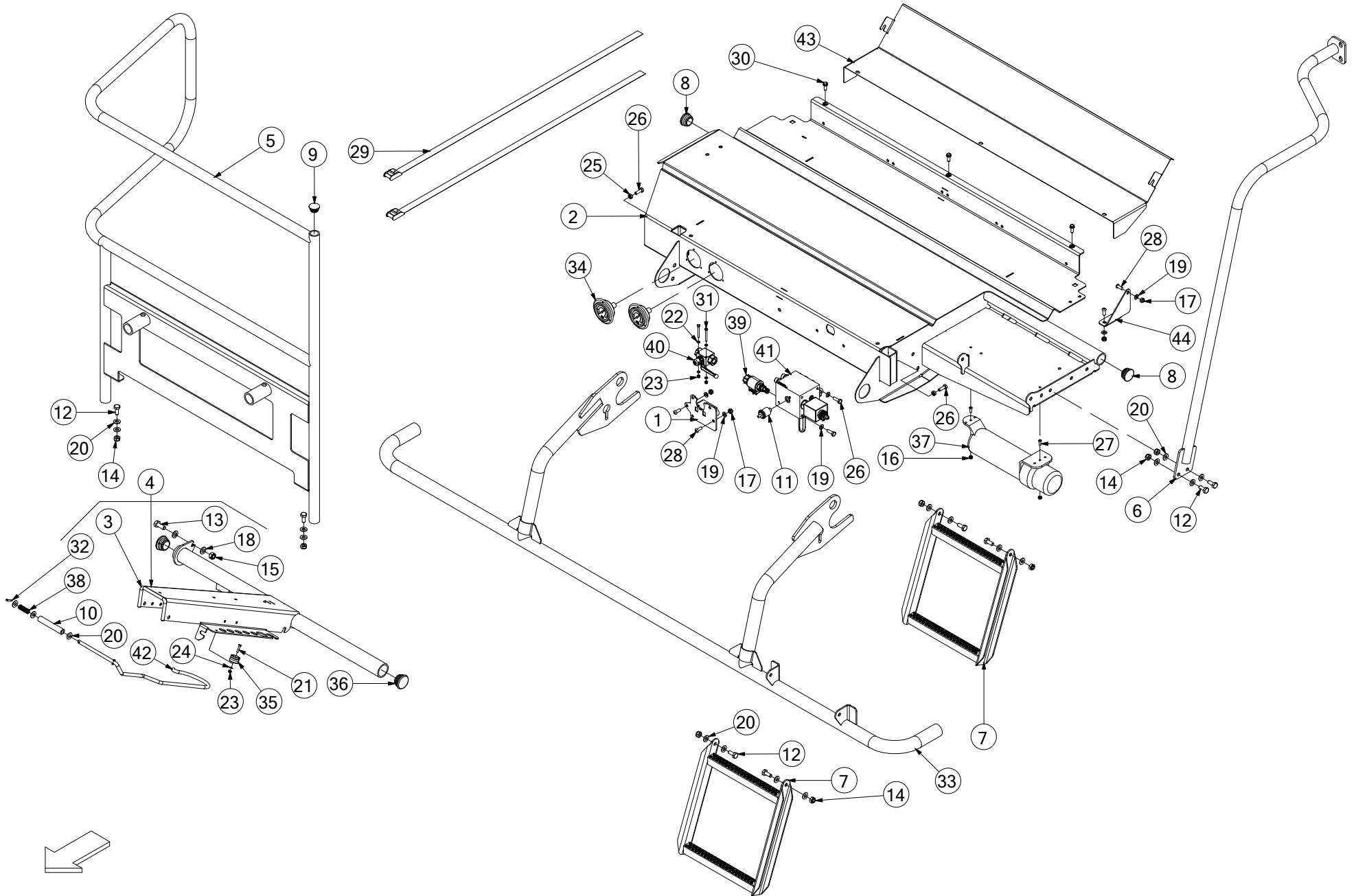
Screw type jack (349)



No.	Part No	Description	Qty
1	ADB00104	JACK SCREW F5-V6 SERIES C/W CR	1
<i>HIGH HITCH STAND (INCLUDES ITEMS 2, 10 & 11)</i>			
1a	KST00090	HIGHSTAND BEVEL GEAR REPLACEMENT KIT	1
<i>SET OF REPLACEMENT BEVEL GEARS FOR HIGH HITCH STAND REPAIR</i>			
2	CFA00004	R-CLIP 4MM	1
3	CFA00061	BOLT M16X170 Z/P	1
4	CFA00128	NUT M16 NYLOC	1
5	CFA00140	WASHER FLAT 16MM Z/P	2
6	CTP00265	PIN HITCH 1 BALER DRAWBAR	1
<i>INCLUDES CHAIN & LINCH-PIN</i>			
7	ACH00708	PARKING JACK ADJ FUS F5 RANGE	1
<i>LOW HITCH STAND (INCLUDES ITEM 8 & 9) REPLACES CTP00294</i>			
8	CTP00296	PARKING JACK FUS F5 BOTTOM	1
<i>LOW HITCH STAND LEG (SPECIFY WHICH TYPE KNOTT OR RUDIFLEX)</i>			
9	CTP00297	PARK JACK HANDLE SQUARE (RUDIFLEX)	1
<i>LOW HITCH STAND ONLY (RUDIFLEX SQUARE)</i>			
9	CTP00612	JACK HANDLE HEXAGONAL HEAD (KNOTT)	1
<i>LOW HITCH STAND ONLY (KNOTT HEX)</i>			
10	CTP00081	LEG EXT PIECE PARKING JACK	1
<i>HIGH HITCH STAND LEG</i>			
11	CTP10002	PIN PARKING JACK BALER	1
12	CXT00502	BUSHING C030X7X100	1
13	CZF04263	6MM L DRAWBAR WASHER Z/P	2
14	CZF04979	6MM L STAND TRANSPORT BRACKET	2

No.	Part No	Description	Qty
-----	---------	-------------	-----

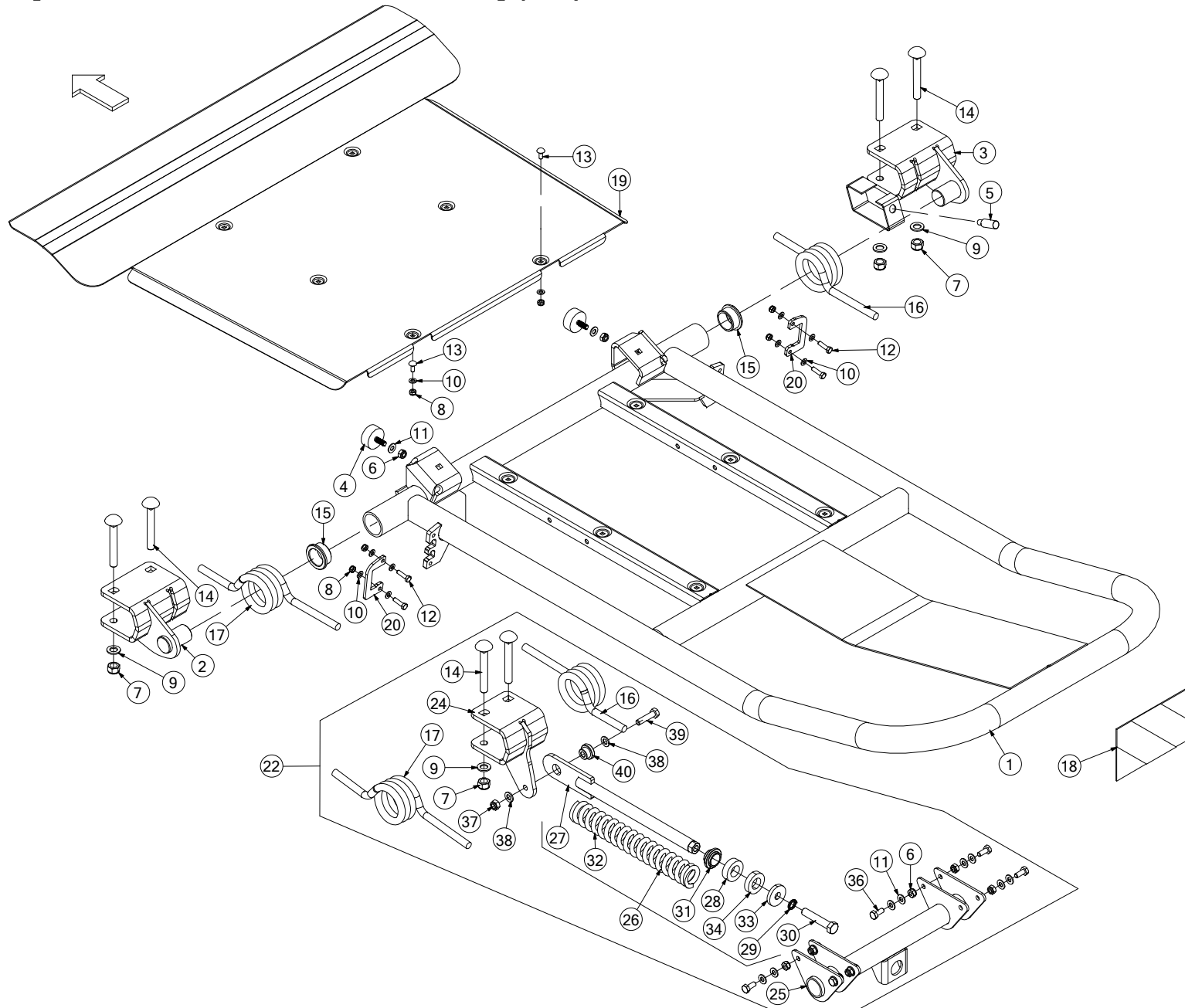
Steps & platform (1019)



No.	Part No	Description	Qty
1	ACH01356	DOOR LOCK TAP BRACKET VARIO	1
2	ACH02944	PLATFORM WELD ASSY V6	1
4	ACN00198	HOSE TRAY COMP ASSM	1
<i>COMPLETE HOSE TRAY ASSEMBLY</i>			
5	AGD00052	HANDRAIL V6	1
6	AGD00126	HAND RAIL V6 1.8M	1
<i>REPLACES AGD00080</i>			
7	ART00349	LOWER STEP ASSEMBLY F5	2
8	CBC00005	CAP PLASTC INSERT ROUND 42.4MM	2
9	CBC00010	CAP PLASTIC INSERT 1"	1
10	CBC00168	12MM ID NYLON TUBING	1
<i>USED UP TO SERIAL No 805788</i>			
10	CBC00177	14MM ID NYLON TUBING	1
<i>USED FROM SERIAL No 805789</i>			
11	CEL00304	PRESSURE TRANSMITTER 0-250BAR M12	1
12	CFA00024	SETSCREW M10X25 Z/P	8
13	CFA00032	SETSCREW M12X30 Z/P	1
14	CFA00123	NUT M10 NYLOC	8
15	CFA00124	NUT M12 NYLOC	1
16	CFA00131	NUT M6 NYLOC	2
17	CFA00132	NUT M8 NYLOC Z/P	5
18	CFA00138	WASHER FLAT 12MM Z/P	5
<i>3 USED WITH ITEM 42 FROM SERIAL No 805789</i>			
19	CFA00147	WASHER FLAT 8MM Z/P	9
20	CFA00201	WASHER FLAT 10 MM Z/P	19
<i>3 USED WITH ITEM 42 UP TO SERIAL No 805788 (USE 3X ITEM 18 FROM SERIAL No 805789 ONWARDS)</i>			
21	CFA00261	SETSCREW M5X25 CSK HEX SS	2
22	CFA00320	WASHER FLAT 5MM	4
23	CFA00321	NUT M5 NYLOC	4
24	CFA00337	WASHER FLAT 5MM Z/P	2
25	CFA00338	NUT M8	2
26	CFA00407	BOLT M8X25 Z/P	6
27	CFA00427	SETSCREW M6X16 BUTTON HEAD Z/P	2
28	CFA00429	SETSCREW M8X20 BUTTON HEAD Z/P	5
29	CFA00614	WEBBING CAM BUCKLE 1.15M 25MM BLK	2
30	CFA00766	SETSCREW M8X20 FLANGED DIN6921 Z/P	3
31	CFA00969	BOLT M5 X 45 Z/P GRADE 8.8	2
32	CFA02301	SPLIT PIN 4X25 Z/P	1
33	CGD00435	GUARD FRONT V6 (1 STEP PLATFORM)	1
34	CHY00133	GAUGE PRESSURE 63DIA FLANGE	2
34a	CHY00934	PRESSURE GAUGE HOSE 1800MM	1
<i>CONNECTS BETWEEN INNER GAUGE & NETTER UNIT PUMP</i>			
34b	CHY02477	PRESSURE GAUGE HOSE 1200MM	1
<i>CONNECTS BETWEEN OUTER GAUGE & DENSITY VALVE</i>			
35	CMH00873	BLANKING CAP QR ZP 1/2" FEMALE	2
36	CPL00086	BLANKING CAP 40MM ID	2
37	CPL00267	LARGE CIRCULAR MANUAL HOLDER	1
<i>USED FROM SERIAL No 805441 (REPLACES CPL00221)</i>			
38	CSG00286	SPRING COMP 1.8X14X40X8	1
<i>USED UP TO SERIAL No 805788</i>			
38	CSG00316	SPRING COMP 2X16.2X40	1

No.	Part No	Description	Qty
<i>USED FROM SERIAL No 805789</i>			
39	CVA00338	VALVE CTE DOUBLE CHECK NC	1
40	CVA00613	VALVE 3/8 W LEVER LOCK & HOLES	1
41	CVA00687	DOOR TENSION VALVE V6 2018+	1
42	CXR00218	ROD 10 x 785 FORMED	1
<i>USED UP TO SERIAL No 805788</i>			
42	CXR00303	ROD 12 X 785 FORMED	1
<i>USED FROM SERIAL No 805789</i>			
43	CZB04605	1.5MM L V6 FRONT COVER	1
44	CZC05121	3MM L OIL TANK BRACKET V6	1

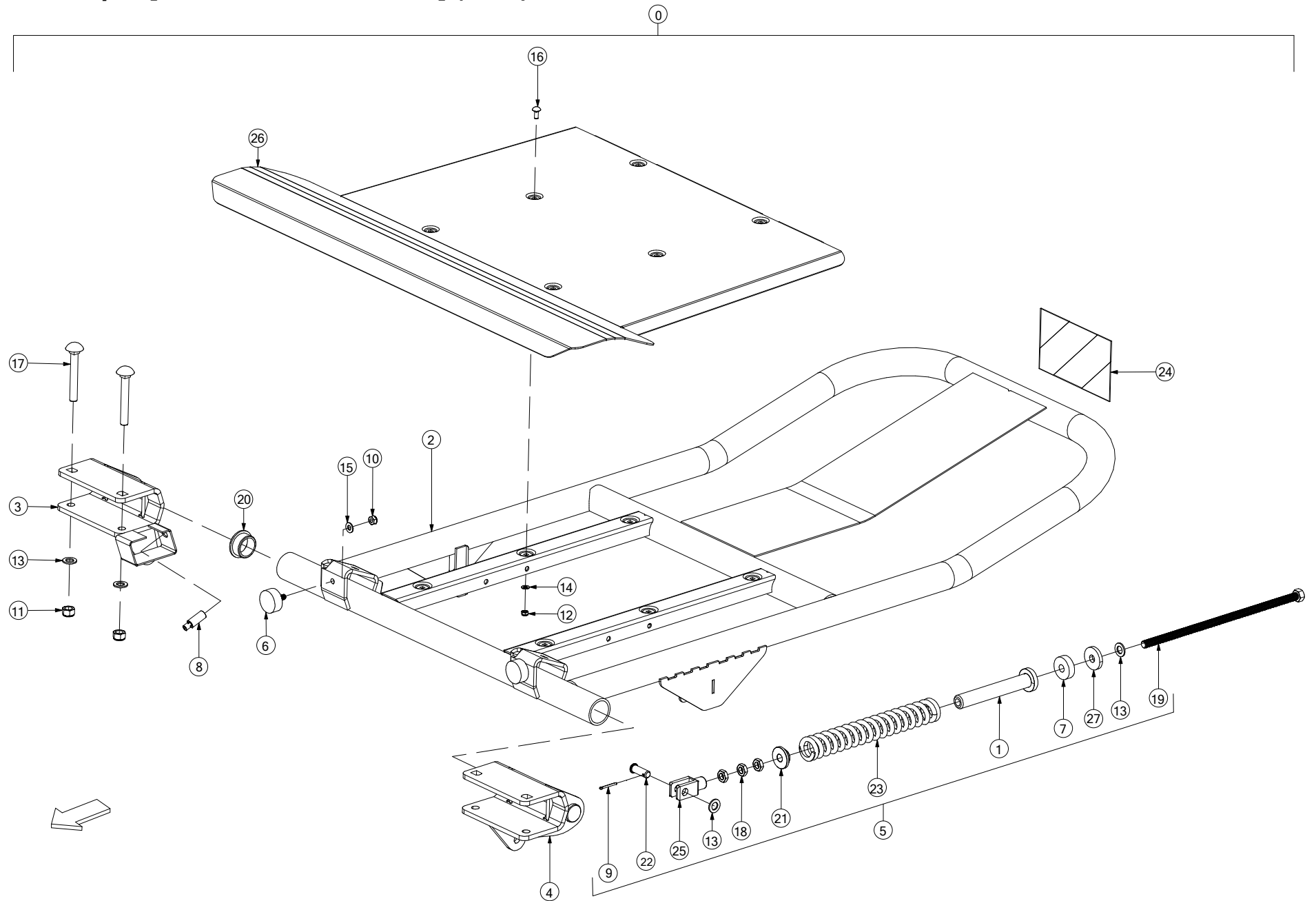
Bale damper [From Serial No 803257 to 809032] (999)



No.	Part No	Description	Qty
0	ABD00094	V6 BALE KICKER COMP ASSEM	1
<i>COMPLETE V6 BALE KICKER ASSEMBLY</i>			
1	ABD00103	BALE KICKER WELD ASSY V6	1
2	ACH02834	KICKER HINGE WELD ASSEM	1
3	ACH02835	KICKER HINGE WELD ASSEM RHS	1
4	CBE00002	BUFFER RUBBER 50X21 M10X28	2
5	CEL00767	SENSOR M18 E2A-M18KS08-M1-C1	1
6	CFA00123	NUT M10 NYLOC	10
7	CFA00128	NUT M16 NYLOC	6
8	CFA00132	NUT M8 NYLOC Z/P	10
9	CFA00140	WASHER FLAT 16MM Z/P	6
10	CFA00147	WASHER FLAT 8MM Z/P	14
11	CFA00201	WASHER FLAT 10 MM Z/P	18
12	CFA00316	BOLT M8X30 Z/P	4
13	CFA00506	SETSCREW M8X20 CUPHEAD SQ Z/P	6
14	CFA02267	BOLT M16X120 CUPHEAD SQ Z/P	6
15	CMH02363	BALE DAMPER MACHINED BUSH	2
16	CSG00300	SPRING TORSION 16X68 BALE KICKER V6 LH	1
<i>ITEMS 16 & 17 SHOULD ALWAYS BE REPLACED AS A SET</i>			
17	CSG00301	SPRING TORSION 16X68 BALE KICKER V6 RH	1
<i>ITEMS 16 & 17 SHOULD ALWAYS BE REPLACED AS A SET</i>			
18	CST00761	DECAL RED WHITE HATCHING	1
19	CZC05419	3MM L BALE KICKER COVER PLATE	1
20	CZF07233	6MM L BALE KICKER SPRING BRACKET	2
22	REP00099	BALE KICKER COMPRERSSION SPRING KIT	1
<i>SPRING ASSIST KIT INCLUDES ITEMS 24 THROUGH 40</i>			
24	ABD00125	TORSION SPRING KICKER ASSIST SPRING BRACKET	1
25	ABD00126	BALE KICKER COMPRERSSION SPRING BRACKET	1
26	ALA00660	SPRING ASSEMBLY BALE DAMPER V6	1
<i>INCLUDES ITEMS 27 THROUGH 34</i>			
27	ALA00099	SPRING TUBE ASSY BALE RAMP	1
28	CBE00169	BUFFER 27X50X15	1
29	CFA00142	WASHER SPRING 16MM Z/P	1
30	CFA00332	SETSCREW M16X85 Z/P	1
31	CMH01243	BUSH 29X60X27 NYLON	1
32	CSG00225	SPRING COMP 9X53 O.DX360 V6	1
33	CZG02173	8MM L WASHER PART ST BALER	1
34	CZI04223	12MM KICKER SPACER V6	1
36	CFA00024	SETSCREW M10X25 Z/P	8
37	CFA00124	NUT M12 NYLOC	1
38	CFA00138	WASHER FLAT 12MM Z/P	2
39	CFA00272	BOLT M12X50 Z/P	1
40	CMH00771	BUSH 12X35 STEPPED	1

No.	Part No	Description	Qty
-----	---------	-------------	-----

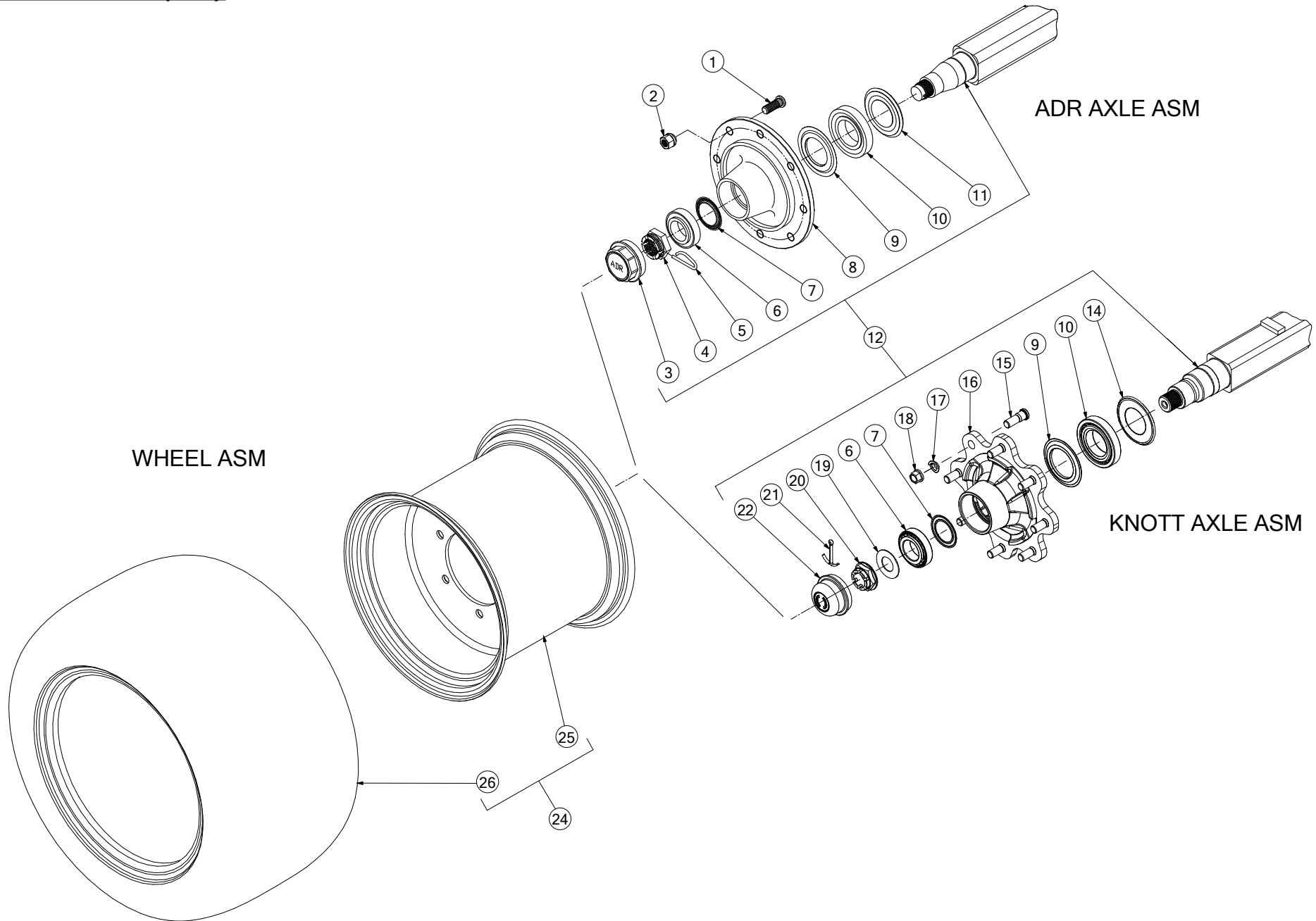
Bale damper [From Serial No 809033] (1135)



No.	Part No	Description	Qty
0	ABD00141	ADJUSTABLE SPRING BALE DAMPER ASSEMBLY	1
<i>COMPLETE BALE DAMPER ASSEMBLY (CAN BE RETRO-FITTED TO ANY V6 BALER)</i>			
1	ABD00140	BALE DAMPER SEAMLESS TUBE WELD ASSEMBLY	2
2	ABD00142	BALE KICKER WELD ASSY V6	1
3	ACH03189	KICKER HINGE WELD ASSEM RHS	1
4	ACH03190	KICKER HINGE WELD ASSEM LHS	1
5	ALA01159	SPRING ASSEMBLY BALE DAMPER V67	2
6	CBE00002	BUFFER RUBBER 50X21 M10X28	2
7	CBE00413	BUFFER 16X50X15	2
8	CEL00767	SENSOR M18 E2A-M18KS08-M1-C1	1
9	CFA00021	SPLIT PIN 4X50 Z/P	2
10	CFA00123	NUT M10 NYLOC	2
11	CFA00128	NUT M16 NYLOC	4
12	CFA00132	NUT M8 NYLOC Z/P	6
13	CFA00140	WASHER FLAT 16MM Z/P	8
14	CFA00147	WASHER FLAT 8MM Z/P	6
15	CFA00201	WASHER FLAT 10 MM Z/P	2
16	CFA00506	SETSCREW M8X20 CUPHEAD SQ ZP	6
17	CFA02267	BOLT M16X120 CUPHEAD SQ Z/P	4
18	CFA02326	NUT M16 HEXAGON LOCK/HALF NUT	6
19	CFA02416	KICKER BOLT SPECIAL M16X430 8.8	2
20	CMH02363	BALE DAMPER MACHINED BUSH	2
21	CMH03108	STEPPED BUSH	2
22	CMH03143	PIN FOR M16 CLEVIS	2
23	CSG00225	SPRING COMP 10X52.5 O.DX360 V660	2
24	CST00761	DECAL RED WHITE HATCHING	1
25	CTP00760	FORK CLEVIS M16	2
26	CZC05419	3MM L BALE KICKER COVER PLATE	1
27	CZG02173	8MM L WASHER 16.5X50X8	2

No.	Part No	Description	Qty
-----	---------	-------------	-----

Axle & wheels (773)



No.	Part No	Description	Qty
1	CAX00208	STUD M18X1.5X55 ADR HUB	16
2	CFA00121	M18 WHEEL NUT ADR	16
3	CAX00080	HUB CAP ADR FOR CAX00063	2
4	CFA00751	CASTLE NUT ADR FOR CAX00063	2
5	CFA00750	LOCKING PIN ADR	2
6	CBR00262	TAPER ROLLER BEARING 32210	2
7	CBR00261	NILOS SEAL 1 AXLE CAX00063	2
8	CAX00065	HUB ADR 8 STUD CAX00063	2
9	CBR00263	NILOS SEAL 2 AXLE CAX00063	2
10	CBR00064	TAPER ROLLER BEARING 30213	2
11	CSE00143	OIL SEAL ADR AXLE CAX00063	2
12	CAX00063	AXLE ASSY ST BALER	1
14	CSE00614	OIL SEAL KNOTT 6B6846.001	2
15	CFA00965	WHEEL STUD M18X1.5X52 KNOTT 6X0039.009	16
16	CAX00150	HUB 8 STUD KNOTT 6B6595.110	2
17	CAX00057	WASHER FOR AXLE B80L030D/S	16
18	CAX00056	NUT FOR AXLE B80L030D/S	16
19	CFA00963	WASHER ?36X?70 KNOTT 6B7216.001	2
20	CFA00964	CASTLE NUT M36X1.5 KNOTT 6B7217.001	2
21	CFA00410	SPLIT PIN 6X90	2
22	CAX00151	HUB CAP ?90 KNOTT 408440.001	2
0	0	0	0
24	CWH00058	WHEEL ASY 500/50-22.5 BKT	2
<i>(INCLUDES ITEMS 25 & 26)</i>			
25	CWH00066	RIM 16X22.5 (8-STUD -50 OFFSET)	2
26	CWH00067	TYRE 500/50-22.5 FLOTATION-648 BKT	2
0	0	0	0
24	CWH00083	WHEEL ASY 460/65-20 VREDESTAIN FLO+	2
<i>(INCLUDES ITEMS 25 & 26)</i>			
25	CWH00085	RIM 14X20 (8 STUD -35 OFFSET)	2
<i>REPLACES CWH00265</i>			
26	CWH00264	TYRE 460/65-20 VERDESTAIN FLO+	2
0	0	0	0
24	CWH00092	WHEEL ASSY 560/45R22.5 ALLIANCE 885	2
<i>(INCLUDES ITEMS 25 & 26)</i>			
25	CWH00066	RIM 16X22.5 (8-STUD -50 OFFSET)	2
26	CWH00091	560/45R22.5 ALLIANCE 885	2

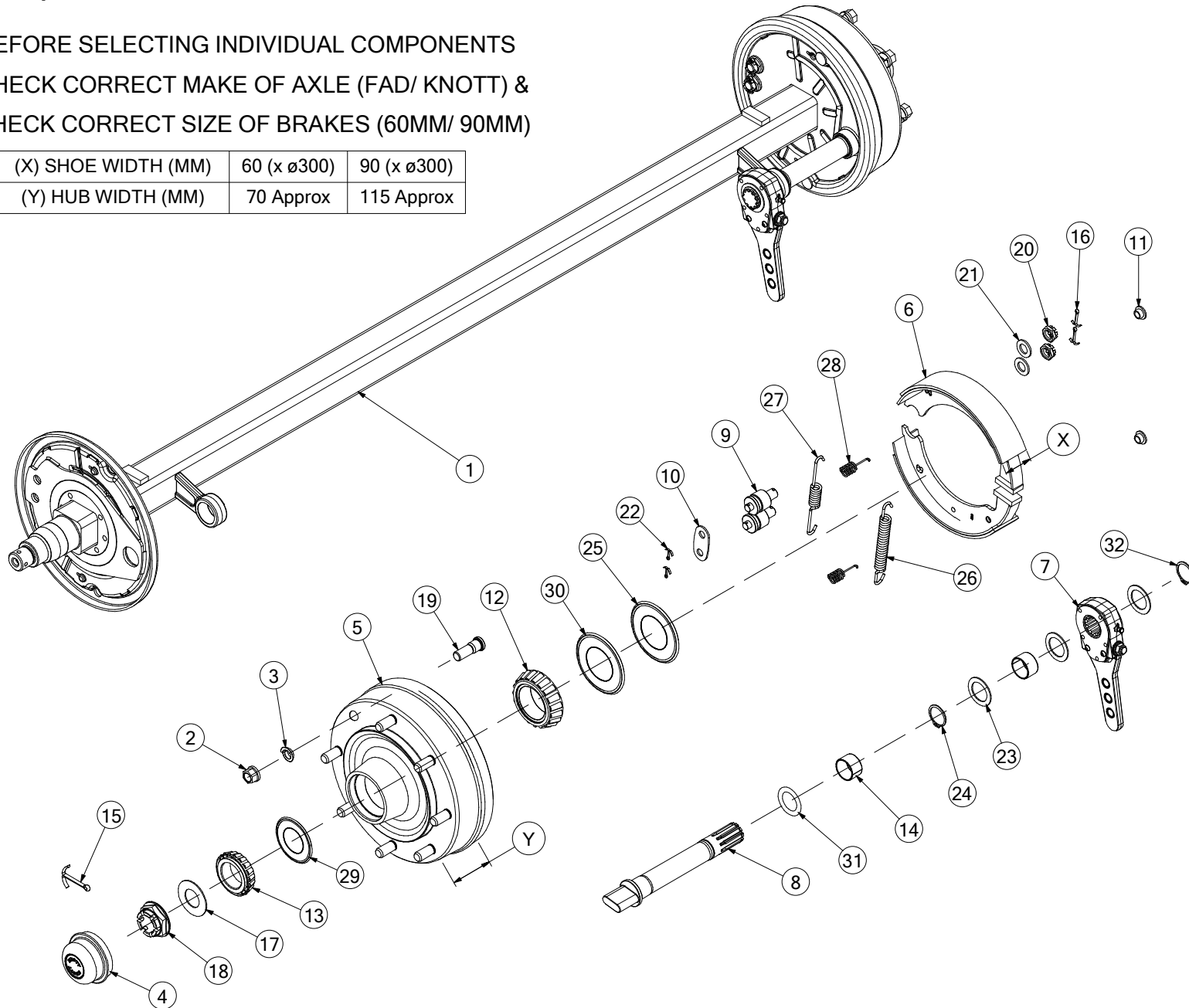
No.	Part No	Description	Qty
-----	---------	-------------	-----

Axle braked (838)

BEFORE SELECTING INDIVIDUAL COMPONENTS

1. CHECK CORRECT MAKE OF AXLE (FAD/ KNOTT) &
2. CHECK CORRECT SIZE OF BRAKES (60MM/ 90MM)

(X) SHOE WIDTH (MM)	60 (x ø300)	90 (x ø300)
(Y) HUB WIDTH (MM)	70 Approx	115 Approx



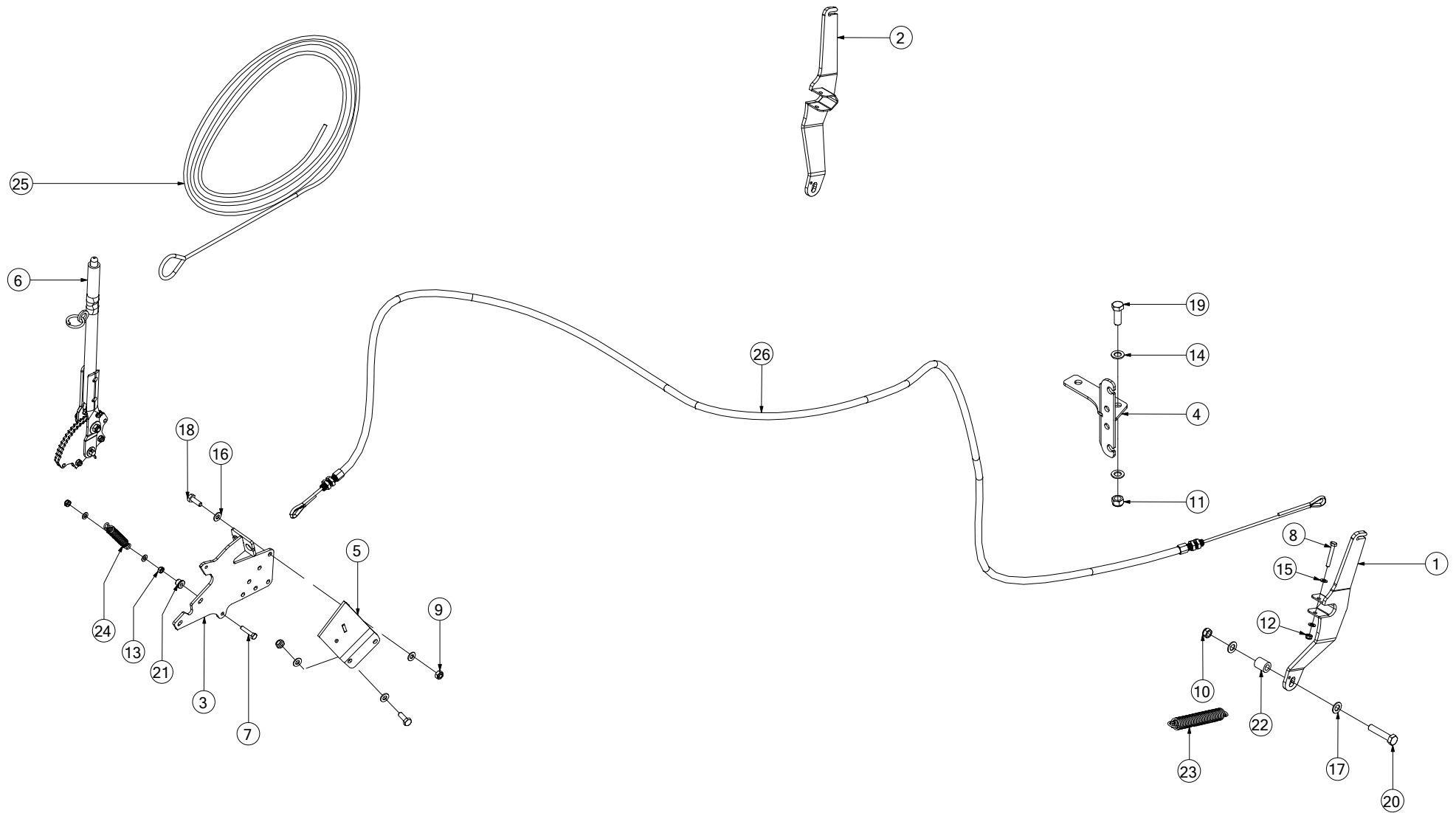
No. Part No	Description	Qty
1 CAX00114	AXLE BRAK 8 STUD 70X300X60 FAD <i>(300X60) COMPLETE FAD AXLE ASM USED ON F5 SERIES MACHINES ONLY</i>	1
1 CAX00196	AXLE BRAKE 8 STUD 70X300X90 FAD <i>(300X90) COMPLETE FAD AXLE ASM USED ON V6 SERIES MACHINES ONLY</i>	1
2 CAX00056	NUT M18X1.5 AXLE B80L030D/S <i>FAD AXLE ONLY</i>	16
2 CAX00161	NUT M18X1.5X24AF AXLE KNOTT 6X0883.001 <i>KNOTT AXLE ONLY</i>	16
3 CAX00057	WASHER 18MM AXLE B80L030D/S	16
4 CAX00025	HUB CAP 998 FAD <i>FAD AXLE ONLY</i>	2
4 CAX00151	HUB CAP KNOTT 408440.001 <i>KNOTT AXLE ONLY</i>	2
5 CAX00133	HUB ASSEMBLY FAD AXLE BRAKED <i>(300X60) FAD AXLE ONLY (INCLUDES ITEMS 12, 13 & 19) HUB WIDTH IS 70MM APPROX</i>	2
5 CAX00201	HUB ASSEMBLY FAD AXLE AIR-BRAKE CAX00196 <i>(300X90) FAD AXLE ONLY (INCLUDES ITEMS 12, 13 & 19) HUB WIDTH IS 115MM APPROX</i>	2
5 CAX00155	HUB ASM BRAKE KNOTT 6B6597.100 <i>KNOTT AXLE ONLY (INCLUDES ITEMS 4, 12, 13 & 19) HUB WIDTH IS 70MM APPROX</i>	2
6 CAX00131	BRAKE SHOE ASM 300X60 FAD AXLE <i>(300X60) FAD AXLE ONLY (INCLUDES SPRINGS)</i>	2
6 CAX00112	BRAKE SHOE ASM 300X90 316A040C <i>(300X90) FAD AXLE ONLY (INCLUDES SPRINGS)</i>	2
6 CAX00156	SHOE ASM BRAKE KNOTT 25719.01 <i>(300X60) KNOTT AXLE ONLY</i>	2
7 CAX00132	ADJUSTABLE BRAKE LEVER FAD F5/V6 <i>FAD AXLE ONLY</i>	2
7 CAX00157	BRAKE LEVER ADJ KNOTT 6B7462.001 <i>KNOTT AXLE ONLY</i>	2
8 CAX00130	SHORT CAM SHAFT FAD AXLE BRAKED <i>(300X60) FAD AXLE ONLY</i>	2
8 CAX00202	CAMSHAFT FAD AXLE AIR-BRAKE CAX00196 <i>(300X90) FAD AXLE ONLY</i>	2
8 CAX00158	CAMSHAFT BRAKE KNOTT 6B7205.001 <i>(300X60) KNOTT AXLE ONLY</i>	2
9 CAX00159	SHOE PIVOT BRAKE KNOTT 6B7213.001 <i>KNOTT AXLE ONLY</i>	4
10 CAX00160	PLATE PIVOT BRAKE KNOTT 6B7214.001 <i>KNOTT AXLE ONLY</i>	2
11 CBC00159	CAP PLASTIC INSERT BRAKE KNOTT 44559.11 <i>KNOTT AXLE ONLY</i>	4
12 CBR00119	BEARING TAPER 32213 (65X120X33)	2
13 CBR00262	BEARING TAPER 32210 (50X90X25) <i>(300X60) FAD & KNOTT AXLES ONLY</i>	2
13 CBR00323	BEARING TAPER 33011 (55X90X27) <i>(300X90) FAD AXLE ONLY</i>	2
14 CAX00190	SLEEVE FAD BRAKED AXL 349F0341 <i>FAD AXLE ONLY</i>	2
14 CBR00301	BEARING INSERT KNOTT 6B7212.001 <i>KNOTT AXLE ONLY</i>	4
15 CFA00410	SPLIT PIN 6X90	2
16 CFA00322	SPLIT PIN 3X50 Z/P <i>FAD AXLE ONLY</i>	2
16 CFA00450	SPLIT PIN 4X36 ZP	4

No. Part No	Description	Qty
<i>KNOTT AXLE ONLY</i>		
17 CFA00963	WASHER $\diamond 36X\diamond 70$ KNOTT 6B7216.001	2
<i>KNOTT AXLE ONLY</i>		
18 CAX00023	NUT CASTLE 998 FAD <i>(300X60) FAD AXLE ONLY</i>	2
18 CAX00059	HUB NUT (B80L030D/S) 328F014 <i>(300X90) FAD AXLE ONLY</i>	2
18 CFA00964	CASTLE NUT M36X1.5 KNOTT 6B7217.001 <i>(300X60) KNOTT AXLE ONLY</i>	2
19 CFA00235	WHEEL STUD M18X1.5 F <i>(300X60) FAD AXLE ONLY</i>	16
19 CAX00055	STUD FOR AXLE B80L030D/S <i>(300X90) FAD AXLE ONLY</i>	16
19 CFA00235	WHEEL STUD M18X1.5 F <i>(300X60) KNOTT AXLE ONLY</i>	16
20 CAX00194	NUT CASTLE M18X1.5 BRAKE 328F002 <i>FAD AXLE ONLY</i>	2
20 CFA00985	CASTLE NUT M18X1.5 KNOTT 6X0935	4
21 CAX00193	WASHER 17X30X1.6 BRAKE 329F011 <i>FAD AXLE ONLY</i>	2
21 CFA00986	LOCKWASHER M18 KNOTT 6X0125A015	4
22 CFA00987	SPLIT PIN 3.2X20 KNOTT 6X0094.002 <i>KNOTT AXLE ONLY</i>	4
23 CFA00988	WASHER FLAT 38.2X56 KNOTT 6B7232.001 <i>KNOTT AXLE ONLY</i>	6
24 CAX00189	CIRCLIP FAD BRAKED AXL 341F043 <i>FAD AXLE ONLY</i>	2
24 CFA00989	CIRCLIP 38MM EXTERNAL KNOTT 6X0471.035 <i>KNOTT AXLE ONLY</i>	4
25 CSE00144	LIP SEAL 30213 (AXLE CAX077) <i>FAD AXLE ONLY</i>	2
25 CSE00614	OIL SEAL KNOTT 6B6846.001 <i>KNOTT AXLE ONLY</i>	2
26 CAX00186	SPRING LOWER FAD BRAKE 322F006	2
26 CSG00276	SPRING EXT BRAKE KNOTT 41531	2
27 CAX00185	SPRING UPPER FAD BRAKE 322F005	2
27 CSG00277	SPRING EXT BRAKE KNOTT 44548	2
28 CSG00278	SPRING RETAINING BRAKE KNOTT 45873.08 <i>KNOTT AXLE ONLY</i>	4
29 CBR00324	NILOS SEAL FOR BEARING 33011 (55X90) <i>(300X90) FAD AXLE ONLY</i>	2
30 CBR00325	NILOS SEAL FOR BEARING 32213 (65X120) <i>FAD AXLE ONLY</i>	2
31 CAX00187	O RING FAD BRAKED AXLE 341F069 <i>FAD AXLE ONLY</i>	2
32 CAX00192	CIRCLIP FAD BRAKED AXL 341F044 <i>FAD AXLE ONLY</i>	2
32 CFA00989	CIRCLIP 38MM EXTERNAL KNOTT 6X0471.035 <i>KNOTT AXLE ONLY</i>	2

No.	Part No	Description	Qty
1	CAX00196	AXLE BRAKE 8 STUD 70X300X90 FAD	1
<i>COMPLETE AXLE ASM INCLUDING ITEMS 2 THROUGH 36</i>			
2	CAX00025	HUB CAP FAD AXLE 307F049	2
4	CAX00055	STUD FOR AXLE B80L030D/S	16
5	CAX00056	NUT M18X1.5X27AF AX B80L030D/S	16
6	CAX00057	WASHER 18MM AXLE B80L030D/S	16
8	CAX00059	HUB NUT (B80L030D/S) 328F014	2
10	CAX00112	BRAKE SHOE ASM 300X90 316A040C	2
<i>INCLUDES SPRINGS (ITEMS 14 & 15)</i>			
12	CAX00132	ADJUSTABLE BRAKE LEVER FAD 320F082	2
14	CAX00185	SPRING UPPER FAD BRAKE 322F005	2
15	CAX00186	SPRING LOWER FAD BRAKE 322F006	2
16	CAX00187	O RING FAD BRAKED AXLE 341F069	2
17	CAX00189	CIRCLIP FAD BRAKED AXL 341F043	2
18	CAX00190	SLEEVE FAD BRAKED AXL 349F0341	2
19	CAX00191	SPRING CLIP FAD BRAKE 322F046	2
20	CAX00192	CIRCLIP FAD BRAKED AXL 341F044	2
21	CAX00193	WASHER 17X30X1.6 BRAKE 329F011	2
22	CAX00194	NUT CASTLE M18X1.5 BRAKE 328F002	2
24	CAX00201	HUB ASSEMBLY FAD AXLE AIR-BRAKE CAX00196	2
<i>INCLUDES ITEMS 4, 27, 29, 30 & 31</i>			
25	CAX00202	CAMSHAFT FAD AXLE AIR-BRAKE CAX00196	2
27	CBR00119	BEARING TAPER 32213 65X120X33	2
29	CBR00323	BEARING TAPER 33011 55X90X27	2
30	CBR00324	NILOS SEAL FOR BEARING 33011 (55X90)	2
31	CBR00325	NILOS SEAL FOR BEARING 32213 (65X120)	2
33	CFA00322	SPLIT PIN 3X50 Z/P	2
34	CFA00410	SPLIT PIN 6X90	2
36	CSE00007	LIP SEAL HUB FAD AXLE 30213	2

No.	Part No	Description	Qty
-----	---------	-------------	-----

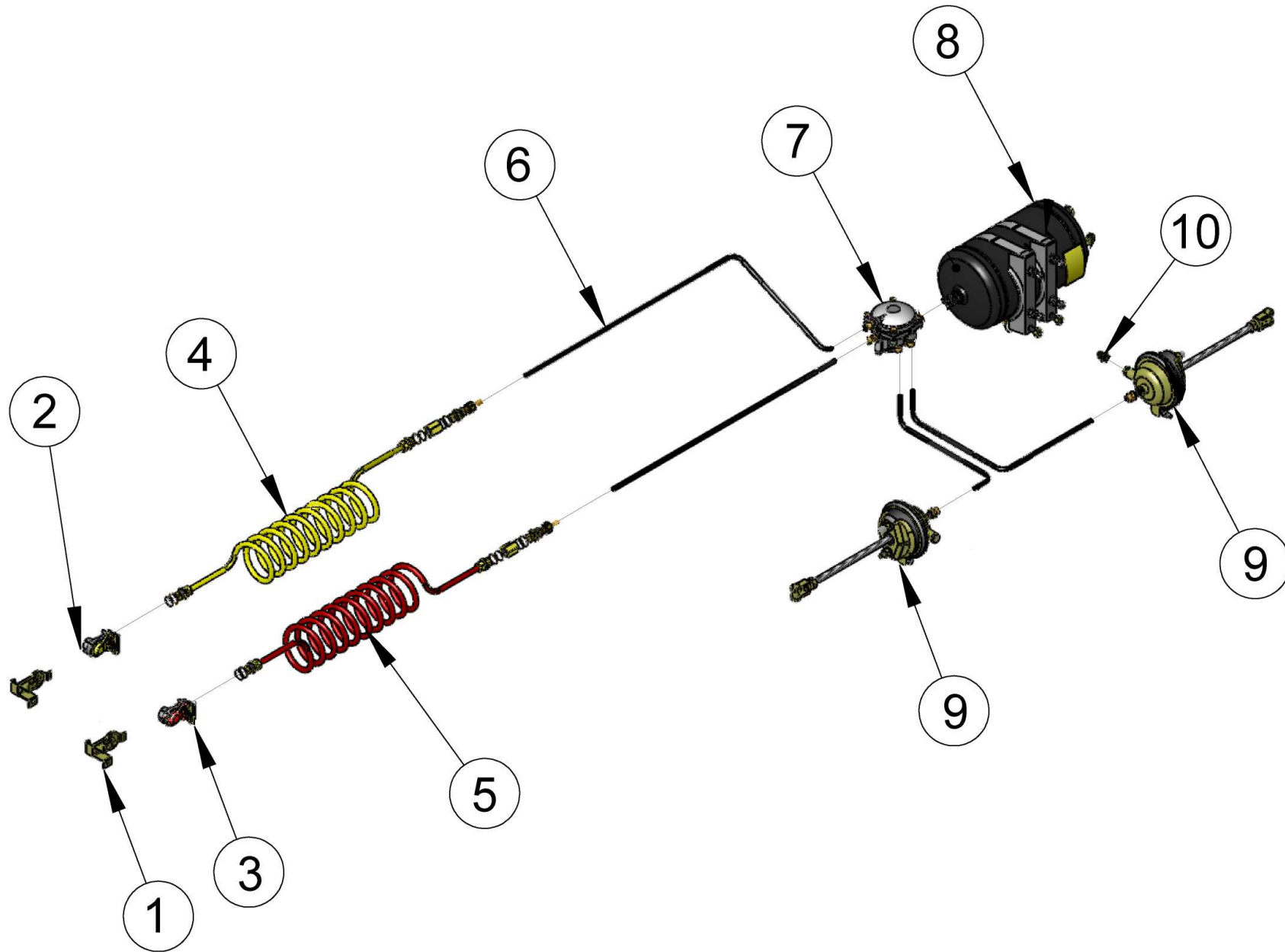
Handbrake (691)



No.	Part No	Description	Qty
0	CAX00126	V6 HANDBRAKE KIT COMPLETE	1
1	ABD00055	BRAKE LEVER ASSY F5 LH	1
2	ABD00057	HANDBRAKE LEVER RH F5	1
3	ADB00143	HAND BRAKE BRACKET ASSY	1
4	ADB00126	HANDBRAKE CABLE BRACKET V6 SERIES	1
5	ADB00127	HANDBRAKE BRACKET F5	1
6	CAX00090	HAND BRAKE LEVER	1
7	CFA00100	BOLT M8X40 Z/P	1
8	CFA00108	BOLT M8X55 Z/P	2
9	CFA00123	NUT M10 NYLOC	5
10	CFA00126	NUT M14 NYLOC	2
11	CFA00128	NUT M16 NYLOC	4
12	CFA00132	NUT M8 NYLOC Z/P	3
13	CFA00133	NUT M8 Z/P	1
14	CFA00140	WASHER FLAT 16MM Z/P	8
15	CFA00147	WASHER FLAT 8MM Z/P	6
16	CFA00201	WASHER FLAT 10 MM Z/P	6
17	CFA00222	WASHER FLAT 14MM Z/P	4
18	CFA00230	SETSCREW M10X30 Z/P	3
19	CFA00282	BOLT M16X45	4
20	CFA00547	BOLT M14X70 Z/P	2
21	CMH00742	BUSH 8X20X13 ZINC PLATED	1
22	CMH02325	BUSH 14X25X30	2
23	CSG00208	SPRING EXT 3.5X28X188X43 Z/P	2
24	CSG00211	SRING COIL 3 X 19 X 135 27COILS	1
25	CTP00318	BREAK AWAY ROPE FUSION 2	1
26	CTP00346	NEW HAND BRAKE CABLE F5/V6 SERIES	2

No.	Part No	Description	Qty
-----	---------	-------------	-----

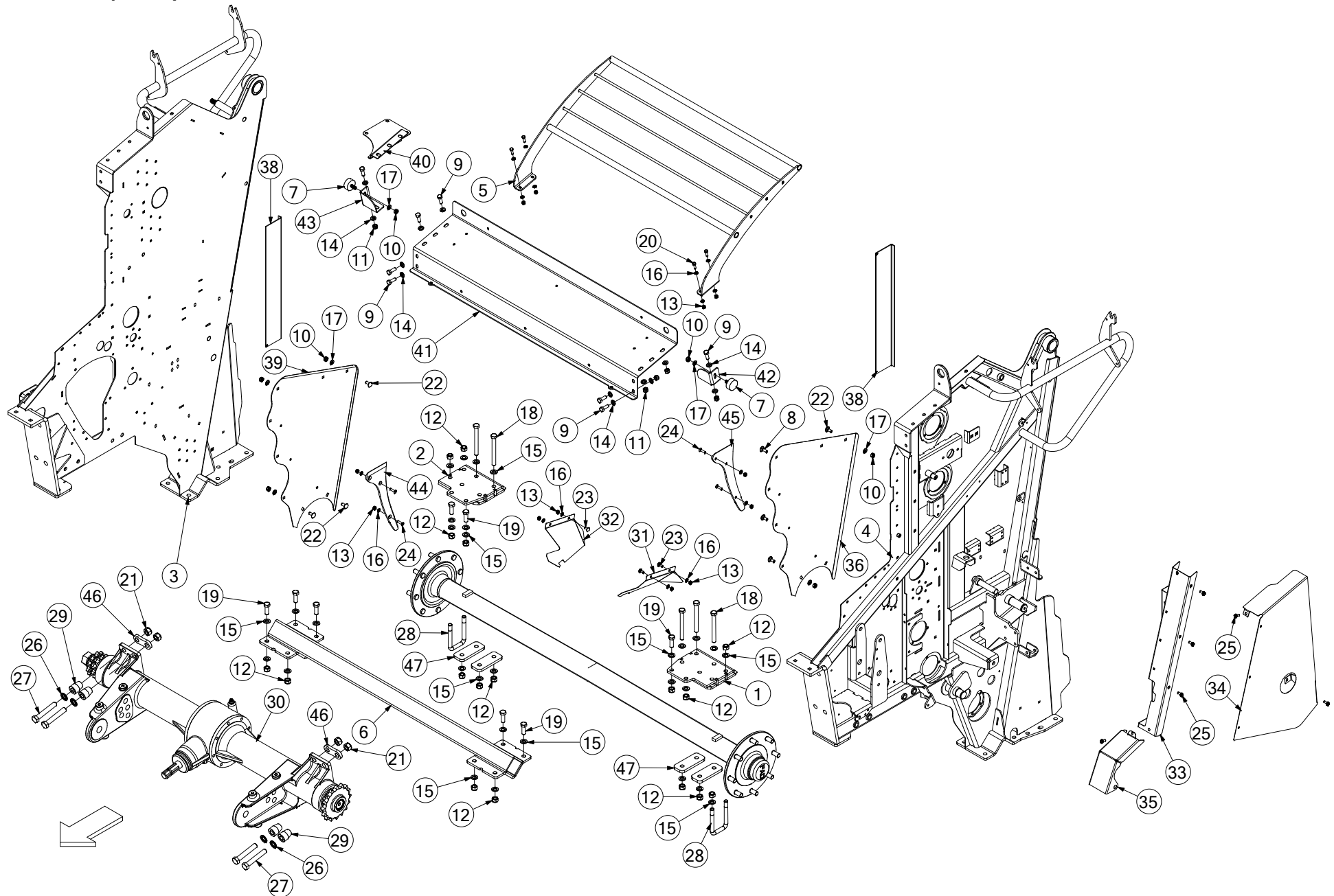
Air brake kit (695)



No.	Part No	Description	Qty
0	CHY02617	AIR BRAKE KIT COMPLETE V6 SERIES	1
1	CVA00328	COUPLER BRACKET	2
2	CVA00126	AIR BRAKE QUICK FIT COUPLING YELLOW	1
3	CVA00127	AIR BRAKE QUICK FIT BRK RED	1
4	CHY02557	SERVICE SUZZIE (YELLOW)	1
4a	CVA10039	M22 THRUST WASHER TRACTAIR	3
4b	CVA10038	M22 O RING TRACTAIR	3
5	CHY02558	EMERGENCY SUZZIE (RED)	1
5a	CVA10039	M22 THRUST WASHER TRACTAIR	3
5b	CVA10038	M22 O RING TRACTAIR	3
6	CHY02559	10MM O/D NYLON AIR BRAKE HOSE	AR
6a	CVA10034	7MM INSERT TRACTAIR (10MMTUBE)	2
6b	CVA10036	M22 - M16 BULKHEAD 10MM ASMBLY	2
6c	CVA10035	M22 FEM-FEM ADAPTOR TRACTAIR	2
7	CHY02605	CONTROL VALVE AIR BRAKE KIT [TRACTAIR]	1
7a	CVA10032	1/4 TAPER 10MM ST PUSHFIT ADAPTOR	4
8	CVA10033	AIR BRAKE TANK 15LTR	1
<i>TANK (WAS CVA00324 10LTR)</i>			
8a	CVA00325	RESERVOIR SADDLE	2
<i>SADDLE BRACKETS</i>			
8b	CZC04459	3MM L MTG PLATE AIR TANK V6	1
<i>MOUNTING BRACKET ON MACHINE</i>			
9	CVA00124	AIR BRAKE ACTUATOR TRACTAIR T12	2
<i>UP TO SERIAL No 802237</i>			
9	CVA00671	AIR BRAKE ACTUATOR TRACTAIR T16	2
<i>FROM SERIAL No 802238</i>			
9a	CVA10031	M16 10MM PUSH ADAPTOR AIR BRAKE	2
10	CVA00327	AIR BRAKE M16 TEST POINT	1
11	CFA00024	SETSCREW M10X25 Z/P	4
12	CFA00201	WASHER FLAT 10 MM Z/P	8
13	CFA00123	NUT M10 NYLOC	4

No.	Part No	Description	Qty
-----	---------	-------------	-----

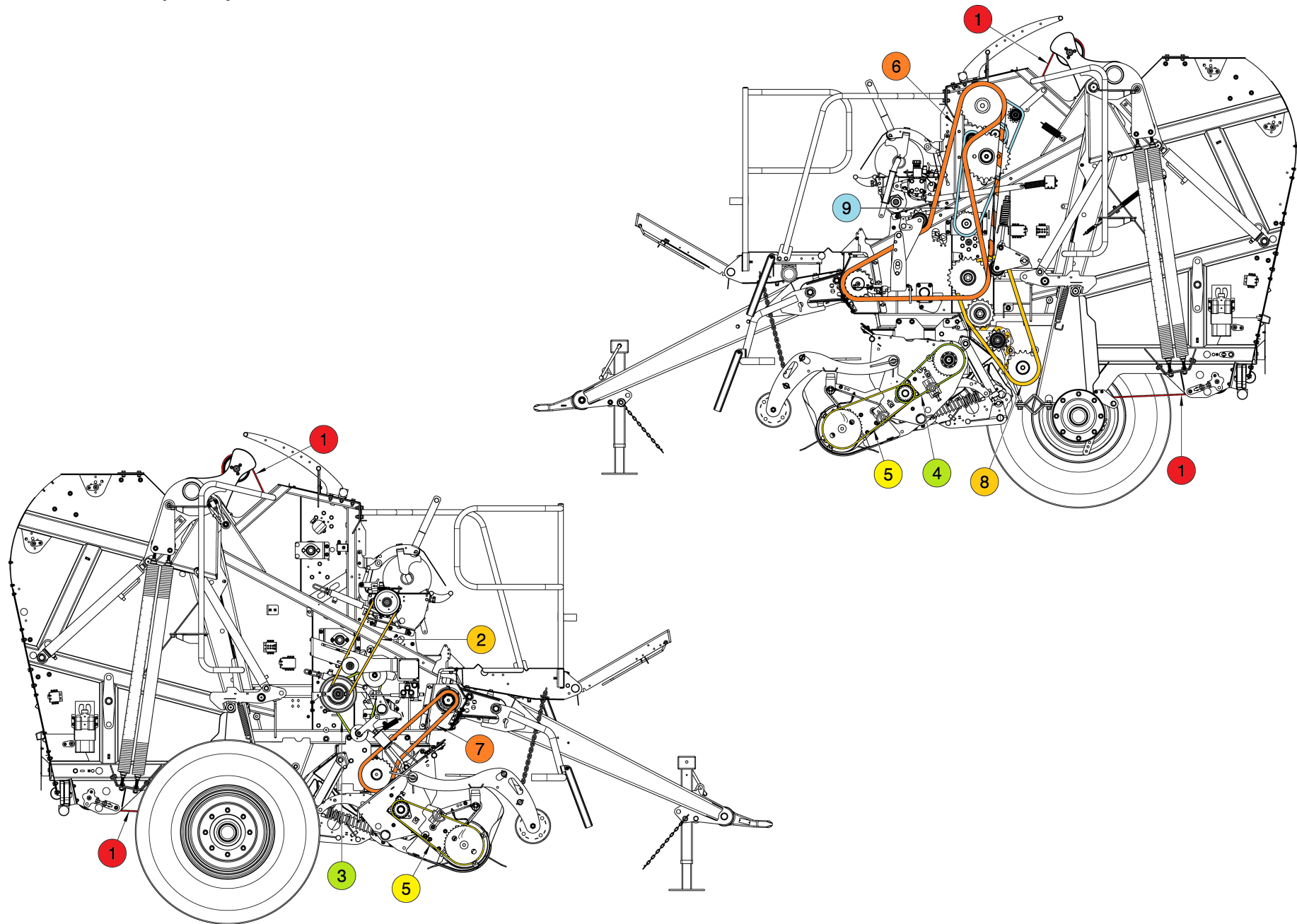
Chassis (1117)



No.	Part No	Description	Qty
1	ACH01041	AXLE SPACER PLATE LHS V6	1
2	ACH01573	AXLE SPACER PLATE RHS V6	1
3	ACH03157	FRONT WELD ASSY RHS V67 SERIES	1
4	ACH03158	FRONT WELD ASSY LHS V67 SERIES	1
5	ACH03111	V6 TOP SAFETY GUARD	1
6	ALA00377	CROSS BEAM ASSY BELT BALER	1
7	CBE00167	BUFFER RUBBER 50X21 M10X28 90SHORE	2
8	CFA00017	SETSCREW M10X30 CUP SQ Z/P	2
9	CFA00033	SETSCREW M12X35 Z/P	10
10	CFA00123	NUT M10 NYLOC	18
11	CFA00124	NUT M12 NYLOC	10
12	CFA00128	NUT M16 NYLOC	24
13	CFA00132	NUT M8 NYLOC Z/P	14
14	CFA00138	WASHER FLAT 12MM Z/P	20
15	CFA00140	WASHER FLAT 16MM Z/P	44
16	CFA00147	WASHER FLAT 8MM Z/P	18
17	CFA00201	WASHER FLAT 10 MM Z/P	18
18	CFA00259	BOLT M16X150 Z/P	8
19	CFA00282	BOLT M16X45	12
20	CFA00407	BOLT M8X25 Z/P	4
21	CFA00418	NUT M20X1.5 NYLOC FINE THRAED	8
22	CFA00442	SETSCREW M10X25 CUP SQ	14
23	CFA00506	SETSCREW M8X20 CUPHEAD SQ ZP	4
24	CFA00593	SETSCREW M8X30 CSK ZP	6
25	CFA00766	SETSCREW M8X20 FLANGED DIN6921 Z/P	11
26	CFA00781	DIN6916 WASH M20 GRD295HV 10 PEINER	8
27	CFA00842	BOLT M20X120X1.5 GRADE 8.8 DIN960	8
28	CFA01120	U-BOLT M16 X140 FOR 70x70 BOX PROFILE	2
29	CMH00976	BUSH 16X40X50	8
30	CMT00106	GEARBOX ASM ST BALER 540RPM SS	1
30	CMT00498	GEARBOX 1000RPM HEAVY DUTY	1
OPTIONAL			
31	CZB02368	1.5MM L AXLE GRASS GUARD LEFT	1
32	CZB02369	1.5MM L AXLE GRASS GUARD RIGHT	1
33	CZB04554	1.5MM L CHAIN GUARD VARIO	1
34	CZB04556	1.5MM MAIN DRIVE CHAIN GUARD (ANT00044)	1
35	CZB04557	1.5MM VARIO MAIN CHAIN GUARD (ANT00044)	1
36	CZC03757	3MM L FRONT DOOR LINER V6 LEFT	1
36	UWP00200	LINERS & WEAR STRIPS V6 +VARIO	1
KIT INCLUDES BOTH LINERS, WEAR STRIPS, FASTENERS & INSTRUCTIONS			
38	CZC04885	3MM L WELD IN WEAR STRIP V6 AND VARIO	2
38	UWP00200	LINERS & WEAR STRIPS V6 +VARIO	1
KIT INCLUDES BOTH LINERS, WEAR STRIPS, FASTENERS & INSTRUCTIONS			
39	CZC04916	3MM L FRONT DOOR LINER V6 RIGHT	1
39	UWP00200	LINERS & WEAR STRIPS V6 +VARIO	1
KIT INCLUDES BOTH LINERS, WEAR STRIPS, FASTENERS & INSTRUCTIONS			
40	CZD05329	4MM L MOUNTING PLATE AIR TANK V67 AND V89	1
41	CZD04479	4MM L CHASSIS PART BELT BALER	1
42	CZD04600	DOOR BUFFER BRACKET LEFT V6	1

No.	Part No	Description	Qty
43	CZD04601	DOOR BUFFER BRACKET RIGHT V6	1
44	CZG04628	8MM L WEDGE PLATE FOR NET V6	1
45	CZG04629	8MM L WEDGE PLATE FOR NET V6	1
46	CZI02044	12MM L CHASSIS PART FUSION	4
47	CZI02048	12MM L AXLE MOUNT PLATE F5	4

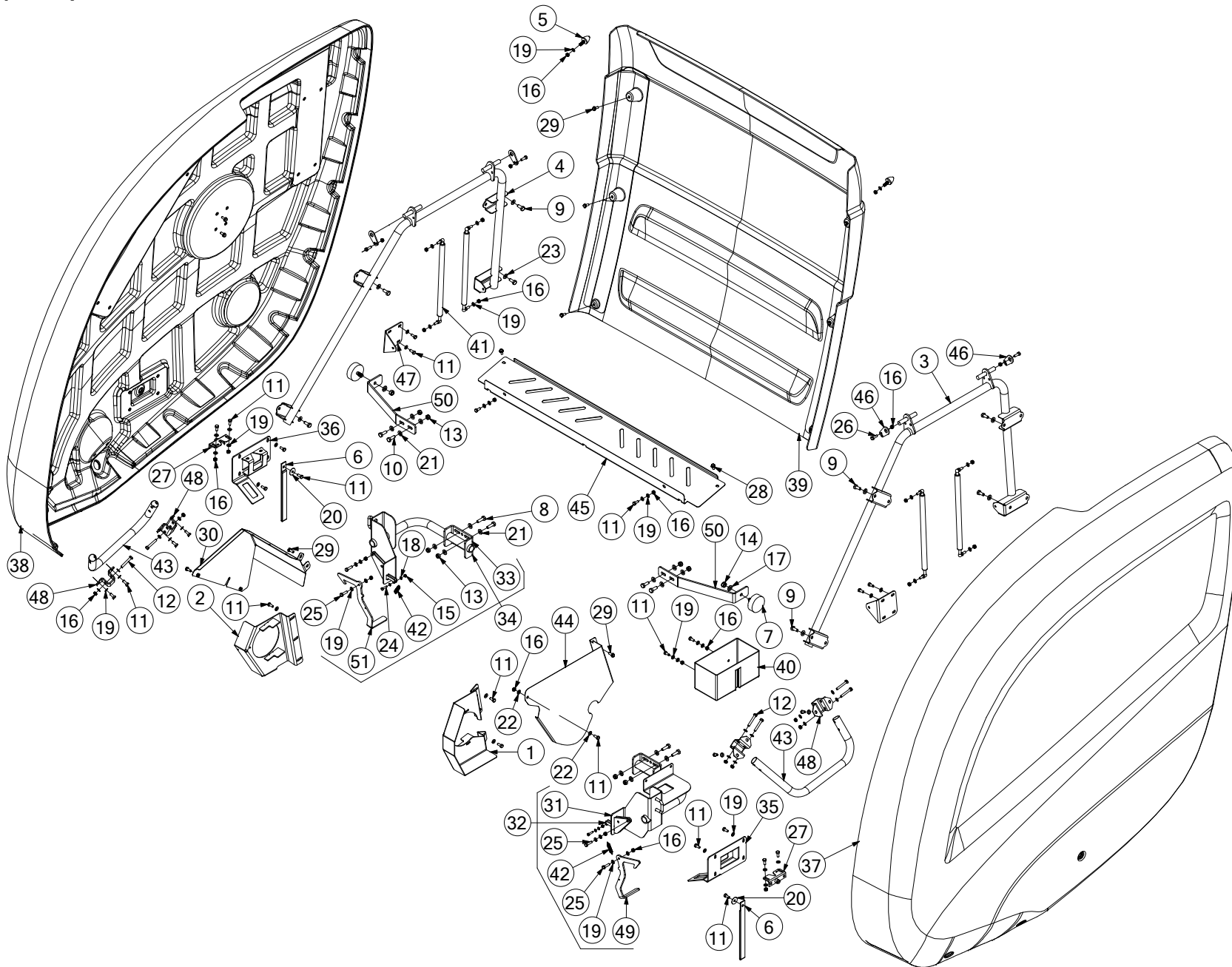
Chains & Belts (1029)



No.	Part No	Description	Qty
1	CBE00184	BELT SINGLE 11675 X 380 X 7.4MM V6 <i>TRIPLE BELT ARRANGEMENT (380MM WIDE X3)</i>	3
1	CBE00320	SINGLE BELT 1180MM VARIO & V6 <i>SINGLE BELT ARRANGEMENT (1180MM WIDE X1)</i>	1
2	CBE00323	V-BELT A67 DRIVE	1
3	CBE00212	V-BELT A48	1
4	CCH02025	CHAIN ASA60H 62 PITCH+CON LINK <i>(IF AUGER SPROCKET IS 19T USE AS IS & IF AUGER SPROCKET IS 15T REMOVE 2 LINKS)</i>	1
4a	CCH02021	CHAIN LINK CONN ASA60H 3/4"	1
4b	CCH02022	CHAIN LINK OFFSET ASA60H 3/4"	1
5	CCH02026	CHAIN ASA60H 78 PITCH+CON LINK <i>CAM-TRACK PICK-UP ONLY (IF AUGER SPROCKET IS 19T USE AS IS & IF AUGER SPROCKET IS 15T REMOVE 2 LINKS)</i>	2
5a	CCH02021	CHAIN LINK CONN ASA60H 3/4"	1
5b	CCH02022	CHAIN LINK OFFSET ASA60H 3/4"	1
5	CCH00195	CHAIN ASA60H 3/4 P INC JOINERLINK <i>CAM-LESS PICK-UP ONLY (IF AUGER SPROCKET IS 19T USE AS IS & IF AUGER SPROCKET IS 15T REMOVE 2 LINKS)</i>	2
6	CCH00058	100H 124 PITCHS INCL LINK ENDLESS (V640) <i>FOR V640 & V6740 MACHINES ONLY</i>	1
6a	CCH00045	CHAIN LINK CONN ASA 100H 1"	1
6b	CCH00053	CHAIN LINK OFFSET ASA 100H 1"	1
6	CCH02048	100H 128 PITCHS INCL LINK ENDLESS (V660) <i>FOR V660 & V6750 MACHINES ONLY</i>	1
7	CCH00051	CHAIN 16B2 70 PITCH + CON LINK <i>REPLACES CCH02049</i>	1
7a	CCH02006	CHAIN LINK CONN 1" DUPLEX 16B2	1
7b	CCH02007	CHAIN LINK OFFSET 16B2 1"DUPLEX	1
8	CCH02050	CHAIN 20B 64 PITCHS INCL LINK <i>WITHOUT ADDITIONAL GUIDE SPROCKET</i>	1
8a	CCH00031	CHAIN LINK CONN 20B 1 1/4	1
8b	CCH00032	CHAIN LINK OFFSET 20B 1 1/4	1
8	CCH02060	CHAIN 20B 68 PITCHS INCL CON LINK <i>WITH ADDITIONAL GUIDE SPROCKET</i>	1
9	CCH02051	CHAIN 12B 3/4 PITCH 102 INCL LINK + OFF LINK <i>CHAIN USED WITHOUT OPTIONAL TOP CLEANING AUGER FITTED</i>	1
9	CCH02057	CHAIN 12B 3/4 PITCH 134 INCL LINK + OFF LINK <i>CHAIN USED WITH OPTIONAL TOP CLEANING AUGER FITTED</i>	1

No.	Part No	Description	Qty
-----	---------	-------------	-----

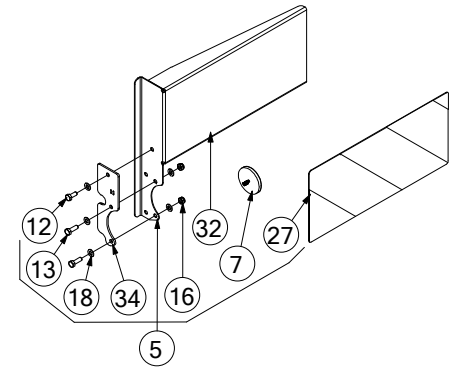
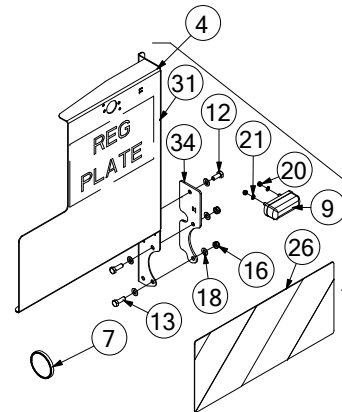
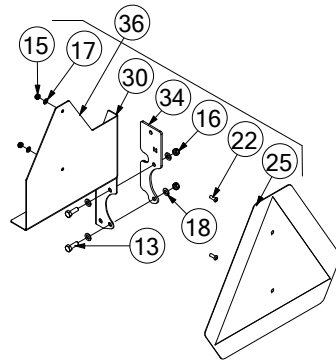
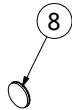
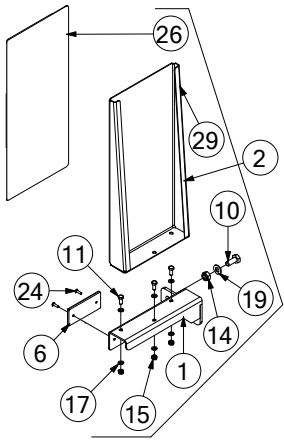
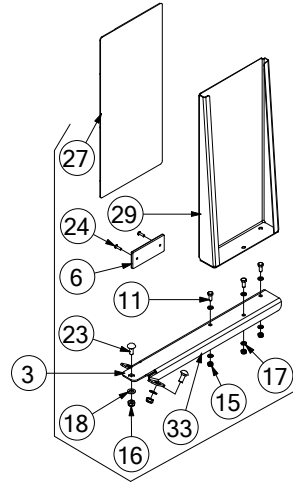
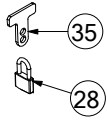
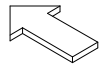
Panels (1118)



No.	Part No	Description	Qty
1	AGD00141	FRONT CHAIN GUARD V67 AND V89 LHS	1
2	AGD00142	FRONT CHAIN GUARD V67 AND V89 RHS	1
3	ALA01099	V6 LEFT DOOR HINGE BRACKET	1
4	ALA01100	V6 RIGHT DOOR HINGE BRACKET	1
5	CBE00028	BUFFER RUBBER 30X36 M8/27 57SH	2
6	CBE00247	STRAP FUSION PANEL	2
7	CBE00275	BUFFER RUBBER 75X25 M12X30	2
8	CFA00016	BOLT M10X35	8
9	CFA00024	SETSCREW M10X25 Z/P	16
10	CFA00025	SETSCREW M10X30	4
11	CFA00052	SETSCREW M8X20 Z/P	39
12	CFA00108	BOLT M8X55 Z/P	8
13	CFA00123	NUT M10 NYLOC	12
14	CFA00124	NUT M12 NYLOC	2
15	CFA00131	NUT M6 NYLOC	2
16	CFA00132	NUT M8 NYLOC Z/P	35
17	CFA00138	WASHER FLAT 12MM Z/P	2
18	CFA00144	WASHER FLAT 6MM Z/P	4
19	CFA00147	WASHER FLAT 8MM Z/P	72
20	CFA00149	WASHER MUDWING 8X31.75 OD	2
21	CFA00201	WASHER FLAT 10 MM Z/P	24
22	CFA00249	WASHER SKM8	8
23	CFA00251	WASHER SKM10	16
24	CFA00267	SETSCREW M6X25 Z/P	2
25	CFA00316	BOLT M8X30 Z/P	4
26	CFA00407	BOLT M8X25 Z/P	4
27	CFA00518	CAMLOC BALER DOOR	2
28	CFA00519	SETSCREW M8X16 FLD ZP	2
29	CFA00766	SETSCREW M8X20 FLANGED DIN6921 Z/P	11
30	CGD00235	ROTOR CHAIN GUARD V660	1
31	CGD00483	DOOR LOCK BRACKET V6 LHS	1
32	CGD00484	DOOR LOCK BRACKET V6 COMP ASSY LHS	1
33	CGD00485	DOOR LOCK BRACKET V6 RHS	1
34	CGD00486	DOOR LOCK BRACKET V6 COMP ASSY RHS	1
35	CGD00487	V6 DOOR LOCK BRACKET LHS	1
36	CGD00488	V6 DOOR LOCK BRACKET RHS	1
37	CGD00497	V6 LEFT DOOR PANEL	1
38	CGD00498	V6 RIGHT DOOR PANEL	1
39	CGD00502	V6 PLASTIC BACK DOOR PANEL	1
40	CPL00045	TOOLBOX PLAS 270X151X13	1
41	CRA00655	GAS STRUT 1150N	4
42	CSG00263	SPRING EXTENSION 1.63X11.5X57	2
43	CXT01085	TUBE STAINLESS 31.8X1.2X742MM	2
44	CZB04309	1.5MM L CHAIN GUARD LHS V660	1
45	CZB04720	2MM L VARIABLE CHAMBER FRONT GUARD	1
46	CZD04814	4MM L HINGE LOCK PLATE FUSION 3 CT	4
47	CZD05298	4MM L GAS STRUT MOUNT PLATE	2
48	CZD05301	4MM L DOOR HANDLE PART V6	4

No.	Part No	Description	Qty
49	CZF09135	6MM PANEL LATCH HANDLE V6 LHS	1
50	CZF09137	6MM L V6 DOOR BUFFER BRACKET PART	2
51	CZF09143	6MM PANEL LATCH HANDLE V6 RHS	1

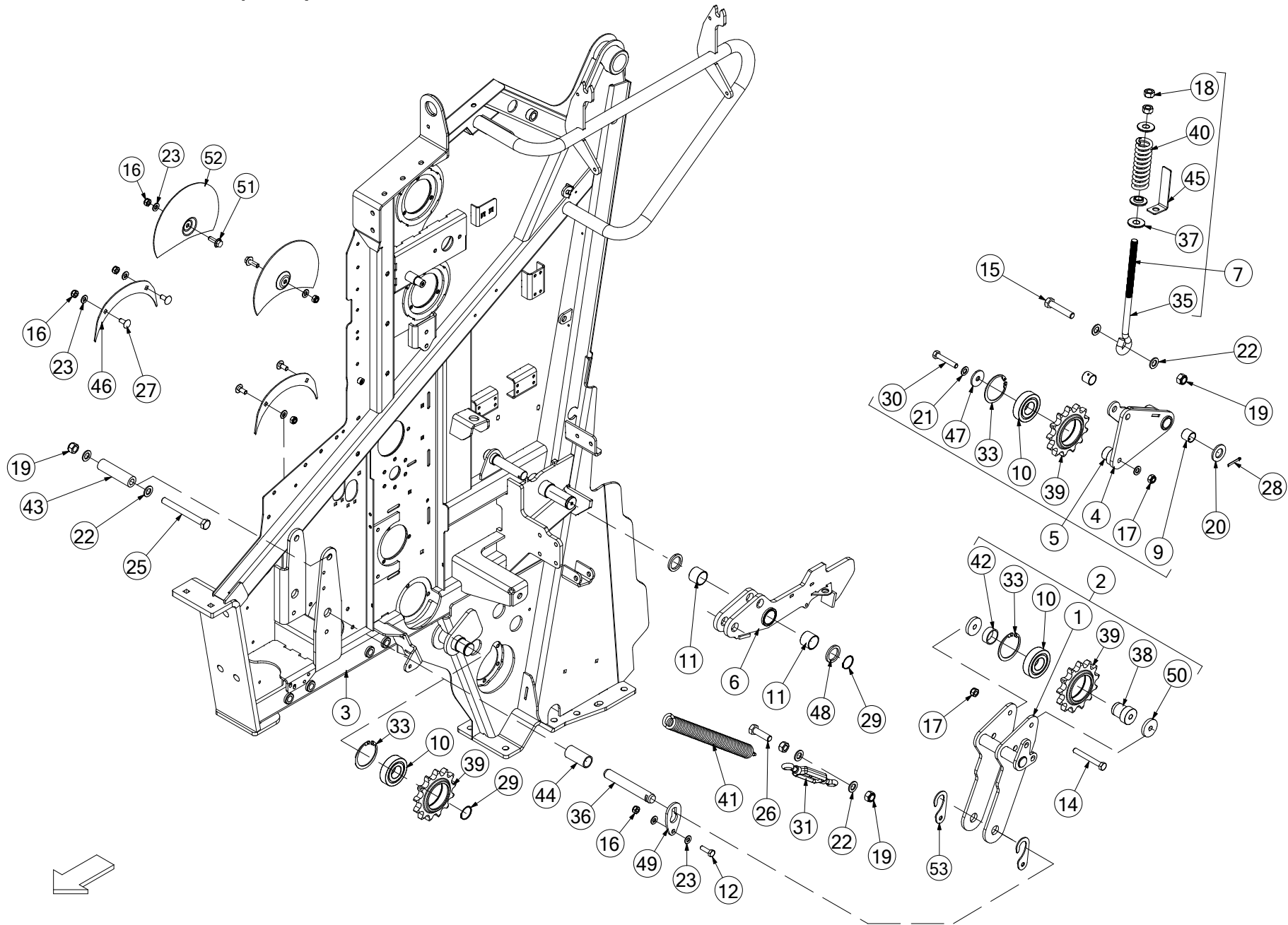
Marker boards & reflectors (1131)



No.	Part No	Description	Qty
1	ACH03100	V6 MARKER BOARD BRACKET WELD ASSY	1
2	ACH03101	V6 MARKER BOARD LEFT SIDE ASSY	1
<i>COMPLETE ASM LEFT FRONT</i>			
3	ACH03102	V6 MARKER BOARD RIGHT SIDE ASSY	1
<i>COMPLETE ASM RIGHT FRONT</i>			
4	ACH03164	MARKER BOARD AND REG PLATE V6 AND V8	1
<i>COMPLETE ASM LEFT REAR</i>			
5	ACH03165	MARKER BOARD RHS V6 AND V8	1
<i>COMPLETE ASM RIGHT REAR</i>			
6	CEL00079	REFLECTOR FRONT RECTANGULAR	2
7	CEL00239	ROUND AMBER REFLECTOR BOLT ON TYPE	2
8	CEL00643	60MM AMBER REFLECTOR 07.039.000	2
9	CEL01662	REG LIGHT, RADEX802, 900 MM CABLE	1
10	CFA00024	SETSCREW M10X25 Z/P	2
11	CFA00045	SETSCREW M6X16	6
12	CFA00052	SETSCREW M8X20 Z/P	3
13	CFA00102	SETSCREW M8X25 Z/P	6
14	CFA00123	NUT M10 NYLOC	2
15	CFA00131	NUT M6 NYLOC	8
16	CFA00132	NUT M8 NYLOC Z/P	12
17	CFA00144	WASHER FLAT 6MM Z/P	14
18	CFA00147	WASHER FLAT 8MM Z/P	21
19	CFA00201	WASHER FLAT 10 MM Z/P	4
20	CFA00321	NUT M5 NYLOC	2
21	CFA00337	WASHER FLAT 5MM Z/P	2
22	CFA00427	SETSCREW M6X16 BUTTON HEAD Z/P	2
23	CFA00506	SETSCREW M8X20 CUPHEAD SQ ZP	3
24	CFA02339	POP RIVET ALU 4X14	4
25	CST00251	SLOW MOVING VEHICLE SIGN SMV AMERICA	1
26	CST00958	MARKER BOARD STICKER 423X188 LH TYPE APPROVED	2
27	CST00959	MARKER BOARD STICKER 423X188 RH TYPE APPROVED	2
28	CTP00582	PADLOCK 8MM SKACLE	1
29	CZB04771	1.5MM L MARKER BOARD 423X188MM REFLECTOR	2
30	CZB04787	2MM L SLOW MOVING SIGN BRACKET V67, V89	1
31	CZB04790	2MM L MARKER BOARD + REG PLATE	1
32	CZB04791	2MM L MARKER BOARD RHS	1
33	CZC05658	3MM L V6 MARKER BOARD PART	1
34	CZD05546	4MM L MARKER BOARD PART V SERIES	3
35	CZF08801	6MM L LOCK OUT PLATE HITCH EYE	1
36	ACH03197	V SERIES SLOW MOVING VEHICLE SIGN SMV	1
<i>COMPLETE SMV ASM LEFT REAR (NORTH AMERICA ONLY)</i>			

No.	Part No	Description	Qty
-----	---------	-------------	-----

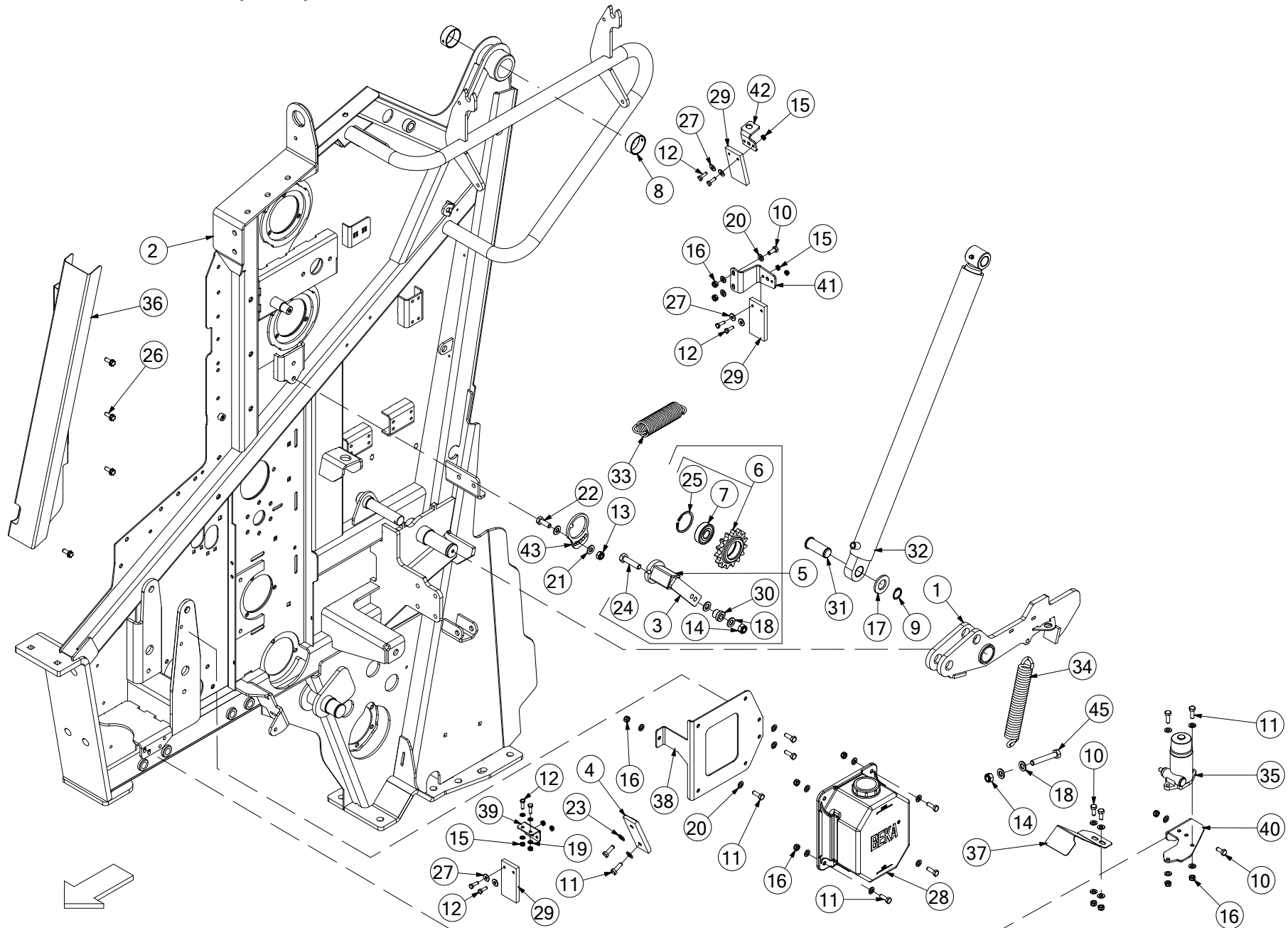
Front chamber LHS 1 (1119)



No.	Part No	Description	Qty
1	ACH00954	CHAIN TENSIONER WELD ASSY	1
2	ACH00955	CHAIN TENSIONER COMP ASSY	1
<i>INCLUDES ITEMS 1, 10, 33, 38, 39, 42 & 50</i>			
3	ACH03158	FRONT WELD ASSY LHS V67 SERIES	1
4	ACH01037	CHAIN TENSIONER WELD ASSY	1
5	ACH01038	CHAIN TENSIONER COMP ASSY	1
<i>INCLUDES ITEMS 4, 9, 10, 17, 21, 30, 33, 39 & 47</i>			
6	ACH01074	DOOR HOOK ASSY LEFT V6	1
7	ACH02529	SPRING TENSIONER ASSY V6	1
<i>INCLUDES ITEMS 18, 35, 37, 40 & 45</i>			
9	CBR00039	BEARING GLACIER PM 2525 DX	2
10	CBR00294	BEARING 6307 2RS	3
11	CBR02000	BEARING VAR BALER	2
12	CFA00016	BOLT M10X35	1
14	CFA00035	BOLT M12X100 Z/P	1
15	CFA00043	BOLT M16X80	1
16	CFA00123	NUT M10 NYLOC	7
17	CFA00124	NUT M12 NYLOC	2
18	CFA00127	NUT M16	3
19	CFA00128	NUT M16 NYLOC	3
20	CFA00135	WASHER FLAT 1" Z/P	1
21	CFA00138	WASHER FLAT 12MM Z/P	2
22	CFA00140	WASHER FLAT 16MM Z/P	6
23	CFA00201	WASHER FLAT 10 MM Z/P	8
25	CFA00259	BOLT M16X150 Z/P	1
26	CFA00349	SETSCREW M16X55 Z/P	1
27	CFA01123	SETSCREW M10X20 FLANGED DIN 6921	4
<i>USED ON MACHINES WITHOUT DOOR LINERS</i>			
27	CFA00520	SETSCREW M10X25 FLANGED 8.8 Z/P	4
<i>USED ON MACHINES WITH DOOR LINERS</i>			
28	CFA00475	SPLIT PIN 5X40 Z/P	1
29	CFA00514	CIRCLIP 35MM EXTERNAL	2
30	CFA00592	BOLT M12X70 Z/P	1
31	CFA00774	TURNBUCKLE EYE 12MM	1
31a	CZC02703	3MM SPRING RETAINER PART	2
31b	CFA00144	WASHER FLAT 6MM Z/P	2
31c	CFA00047	SETSCREW M6X30 Z/P	1
31d	CFA00131	NUT M6 NYLOC	1
33	CFA00882	CIRCLIP 80MM INTERNAL DIN 472	3
35	CFA02270	EYE BOLT 16X320 TENSIONER	1
36	CMH00403	PIN 25X170 Z/P MILLED FOR CAP	1
37	CMH00464	BUSH 45X17X10 STEPPED 25	3
38	CMH00467	BUSH 45X12.5X52 STEPPED 35	1
39	CMH01252	SPROCKET 1 1/4" 13 TOOTH	3
40	CSG00025	SPRING COMPLEX 8.5X44.8	1
41	CSG00206	SPRING EXT 7X36 OD X375	1
42	CXT00185	TUBE 42.4X3X16	1
43	CXT00419	C030X7X112	1
44	CXT00490	TUBE 33.7X68	1
45	CZC02057	3MM L CHAIN TENSIONER	1

No.	Part No	Description	Qty
46	CTP00517	V6 NO1 ROLLER SEAL PROTECTOR	2
47	CZD02186	4MM L WASHER 50X13X4	1
48	CZE04247	WASHER 48X35.5X5 BELT BALER	2
49	CZF00292	6MM L CAP LONG FOR 25MM PINS	1
50	CZG02236	8MM L SPACER PART	2
51	CFA02374	SETSCREW M10X30 FLD 8.8 Z/P (DIN-6921)	2
52	CZC05524	3MM L CHAMBER SIDE WALL DISC VARIO V6	2
53	CZB04616	1.5MM L V6 MAIN CHAIN TENSIONER SHIMS	1
<i>SHIMS USED TO ALIGN TENSIONER WITH DRIVE SPROCKET</i>			
53	CZC05072	3MM L V6 MAIN CHAIN TENSIONER SHIMS	1
<i>SHIMS USED TO ALIGN TENSIONER WITH DRIVE SPROCKET</i>			
53	CZF07519	6MM L V6 MAIN CHAIN TENSIONER SHIM	1
<i>SHIMS USED TO ALIGN TENSIONER WITH DRIVE SPROCKET</i>			

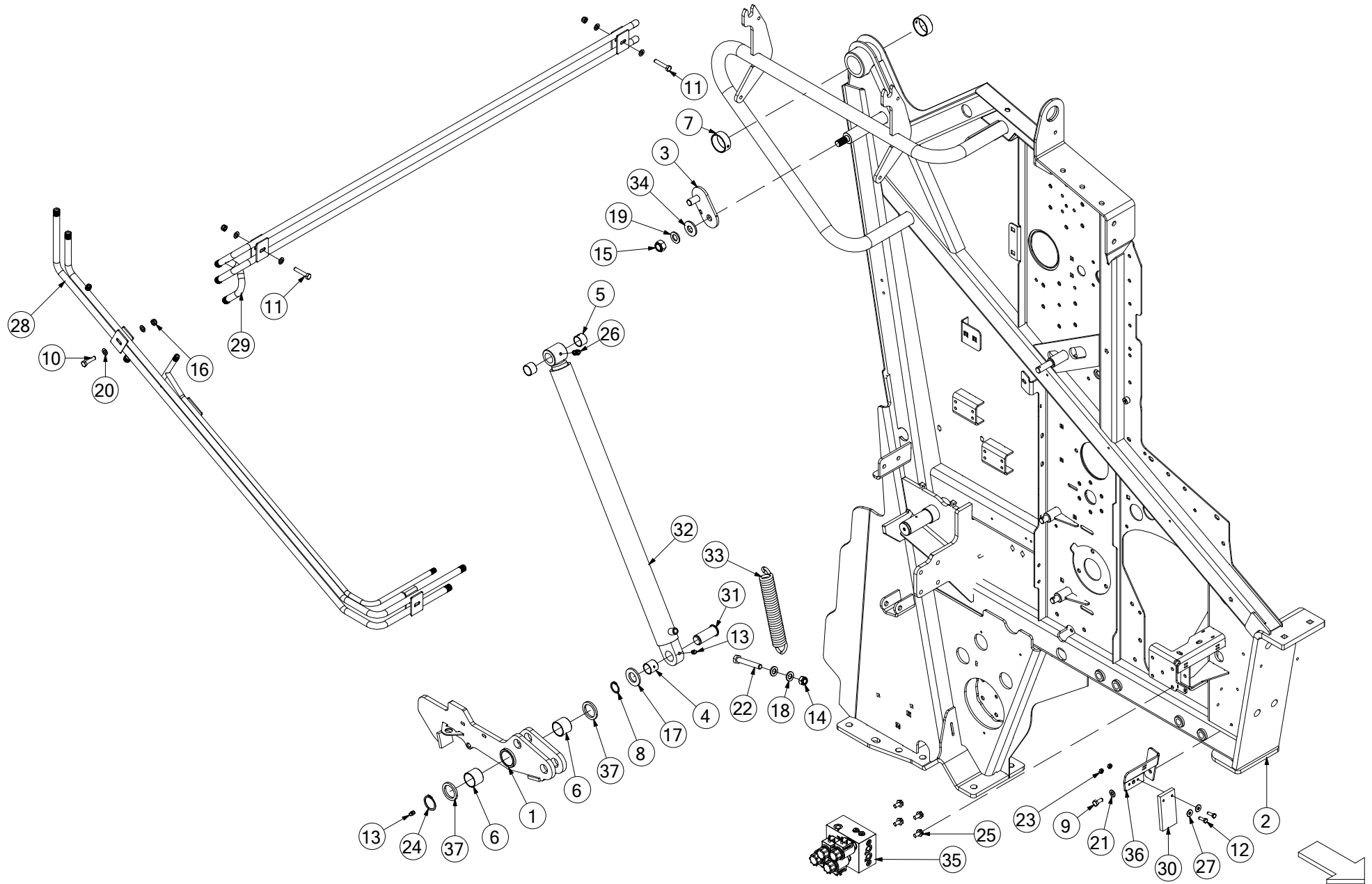
Front chamber LHS 2 (1120)



No.	Part No	Description	Qty
1	ACH01074	DOOR HOOK ASSY LEFT V660	1
2	ACH03158	FRONT WELD ASSY LHS V67 SERIES	1
3	ALA00282	CHAIN TIGHTENER BELT BALER	1
<i>USED ON V6740 ONLY</i>			
4	ALA00311	WEAR STRIP ASSY BOTTOM DOOR	1
5	ALA00341	TENSIONER ASSY BELT BALER	1
<i>USED ON V6740 ONLY (INCLUDES ITEMS 3, 6, 7, 14, 18, 24, 25 & 30)</i>			
6	ALA00700	TENSIONER SPROCKET ASSEMBLY V6	1
<i>USED ON V6740 ONLY (INCLUDES ITEMS 7 & 25)</i>			
7	CBR00066	BEARING 6304 2RS	1
<i>USED ON V6740 ONLY</i>			
8	CBR02003	BEARING GLACIER PM 4520 DX	2
9	CFA00001	CIRCLIP 25MM EXTERNAL Z/P	1
10	CFA00052	SETSCREW M8X20 Z/P	6
11	CFA00102	SETSCREW M8X25 Z/P	11
12	CFA00115	SETSCREW M6X20 Z/P	8
13	CFA00123	NUT M10 NYLOC	1
14	CFA00124	NUT M12 NYLOC	2
15	CFA00131	NUT M6 NYLOC	8
16	CFA00132	NUT M8 NYLOC Z/P	15
17	CFA00135	WASHER FLAT 1" Z/P	1
18	CFA00138	WASHER FLAT 12MM Z/P	4
19	CFA00144	WASHER FLAT 6MM Z/P	4
20	CFA00147	WASHER FLAT 8MM Z/P	30
21	CFA00201	WASHER FLAT 10 MM Z/P	2
22	CFA00230	SETSCREW M10X30 Z/P GRADE 12.9	1
23	CFA00249	WASHER SKM8	2
24	CFA02384	SETSCREW M12X50 BUTTON HEAD 10.9 Z/P	1
<i>USED ON V6740 ONLY (REPLACES CFA00272)</i>			
25	CFA00461	CIRCLIP 52MM INTERNAL DIN 472	1
26	CFA00766	SETSCREW M8X20 FLANGED DIN6921 Z/P	4
27	CFA00855	6MM MUDGUARD WASHER	6
28	CHY00868	BEKA OIL TANK ASSY	1
29	CHY01061	OIL WICK KIT FULL BALER RANGE	1
<i>FULL SET OF 4 WICKS FOR ANY McHALE BALER</i>			
30	CMH01398	BUSH 12X25 STEPPED 20	1
31	CMH02041	PIN VAR BALER	1
32	CRA00631	DOOR OPEN RAM V660	1
32a	CSE00160	SEAL KIT FOR RAM CRA00631	1
33	CSG00229	SPRING EXT 4.88X40.8X176X24	1
34	CSG00257	SPRING DOOR LATCH 6.35X35X242 V6	1
35	CVA00659	BEKA OIL PUMP (8:1 RATIO)	1
<i>REPLACES CVA00564</i>			
36	CZB04554	1.5MM L CHAIN GUARD VARIO	1
37	CZB04321	1.5MM OIL PUMP DRIVE COVER V660	1
38	CZC04506	3MM L OIL TANK BRACKET V6	1
39	CZC05070	3MM L OILER WICK BRACKET PART V6	1
40	CZD04427	4MM OIL PUMP BRACKET BELT BALER	1
41	CZD04481	4MM L CHAIN OILER BRACKET V6	1
42	CZD04483	4MM L OIL BRACKET V660	1

No.	Part No	Description	Qty
43	CZF05093	6MM L LOCKING PLATE	1
<i>USED ON V6740 ONLY</i>			
45	CFA00330	BOLT M12X80 Z/P	1

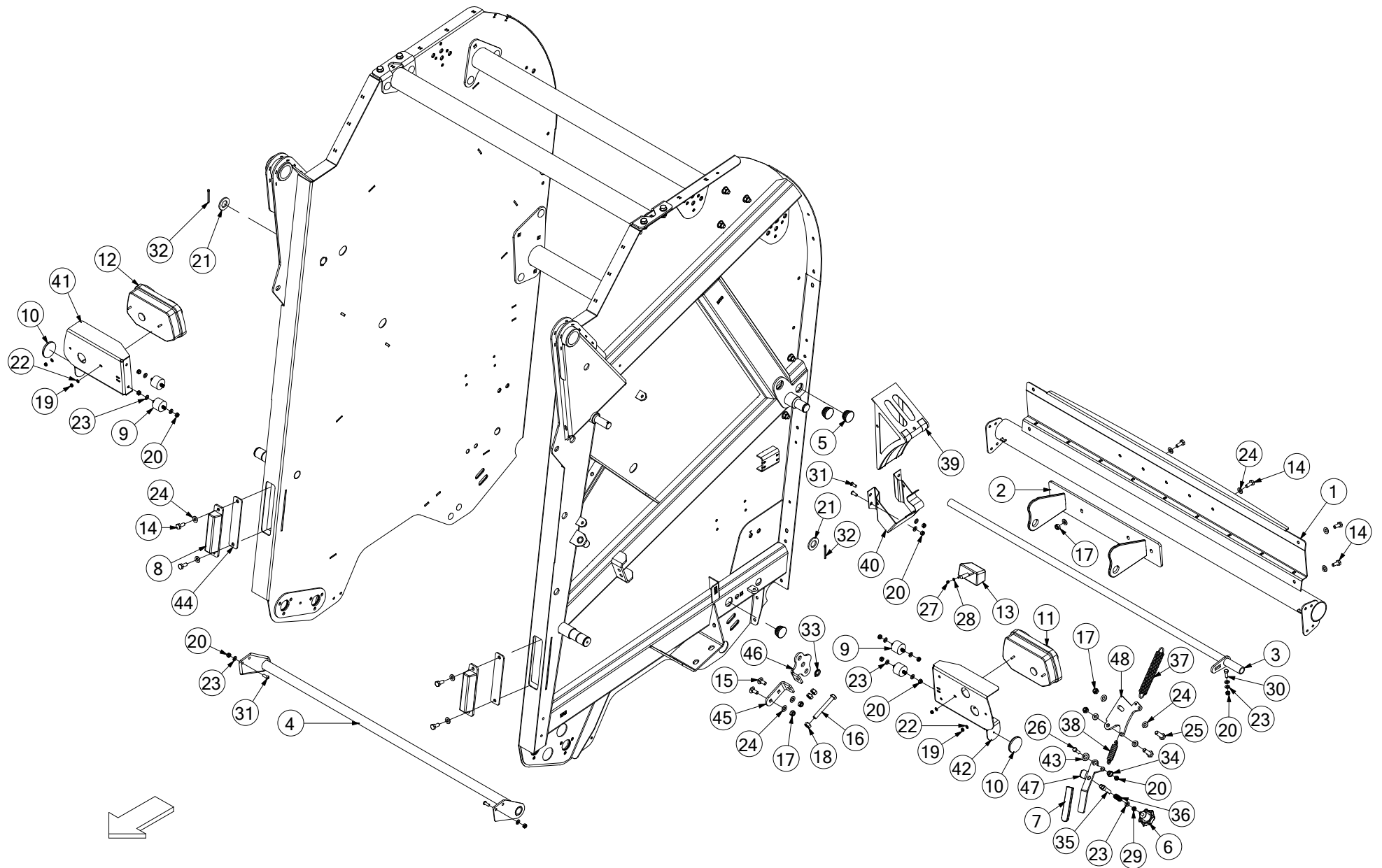
Front chamber RHS (1121)



No.	Part No	Description	Qty
1	ACH01073	DOOR HOOK ASSY RIGHT V660	1
2	ACH03157	FRONT WELD ASSY RHS V67 SERIES	1
3	ACH02849	BALE DIAMETER INDICATOR	1
4	CBR00039	BEARING GLACIER PM 2525 DX	1
5	CBR00040	BEARING GLACIER PM 25 X 20	2
6	CBR02000	BEARING VAR BALER	2
7	CBR02003	BEARING GLACIER PM 4520 DX	2
8	CFA00001	CIRCLIP 25MM EXTERNAL Z/P	1
9	CFA00052	SETSCREW M8X20 Z/P	1
10	CFA00055	BOLT M8X35 Z/P	1
11	CFA00106	BOLT M8X45 Z/P	2
12	CFA00115	SETSCREW M6X20 Z/P	2
13	CFA00118	GREASE NIPPLE M8X1.25 STRAIGHT	2
14	CFA00124	NUT M12 NYLOC	1
15	CFA00128	NUT M16 NYLOC	1
16	CFA00132	NUT M8 NYLOC Z/P	3
17	CFA00135	WASHER FLAT 1" Z/P	1
18	CFA00138	WASHER FLAT 12MM Z/P	2
19	CFA00140	WASHER FLAT 16MM Z/P	1
20	CFA00147	WASHER FLAT 8MM Z/P	6
21	CFA00249	WASHER SKM8	1
22	CFA00330	BOLT M12X80 Z/P	1
23	CFA00473	NUT M6 STD Z/P	2
24	CFA00514	CIRCLIP 35MM EXTERNAL	1
25	CFA00519	SETSCREW M8X16 FLD ZP	4
26	CFA00549	GREASE FITTING 6MM X 1/8" M/M	1
27	CFA00855	6MM MUDGUARD WASHER	2
28	CHY00276	STEEL PIPE ASSY COMPLETE V6 SERIES	1
29	CHY00283	ASSY STL PIPE BSP V6 SERIES COMPLETE	1
30	CHY01061	OIL WICK KIT FULL BALER RANGE	1
<i>OIL WICK KIT FULL BALER RANGE</i>			
31	CMH02041	PIN VAR BALER	1
32	CRA00631	DOOR OPEN RAM V6	1
<i>RAM INCLUDES ITEMS 4, 5, 13 & 26</i>			
33	CSG00257	SPRING DOOR LATCH 6.35X35X242 V6	1
34	CSG00275	SPRING BELVILLE HEAVY DUTY	1
35	CVA00614	VALVE FLOOR/PICK-UP NEM V640	1
<i>USED ON V6740 MACHINES ONLY</i>			
35	CVA00361	VALVE CTRL FLOOR KNIVES V660 2011+	1
<i>USED ON V6750 MACHINES ONLY</i>			
36	CZD04773	V6 DUPLEX CHAIN INNER OILER BRKT	1
37	CZE04247	WASHER 48X35.5X5 BELT BALER	2

No.	Part No	Description	Qty
-----	---------	-------------	-----

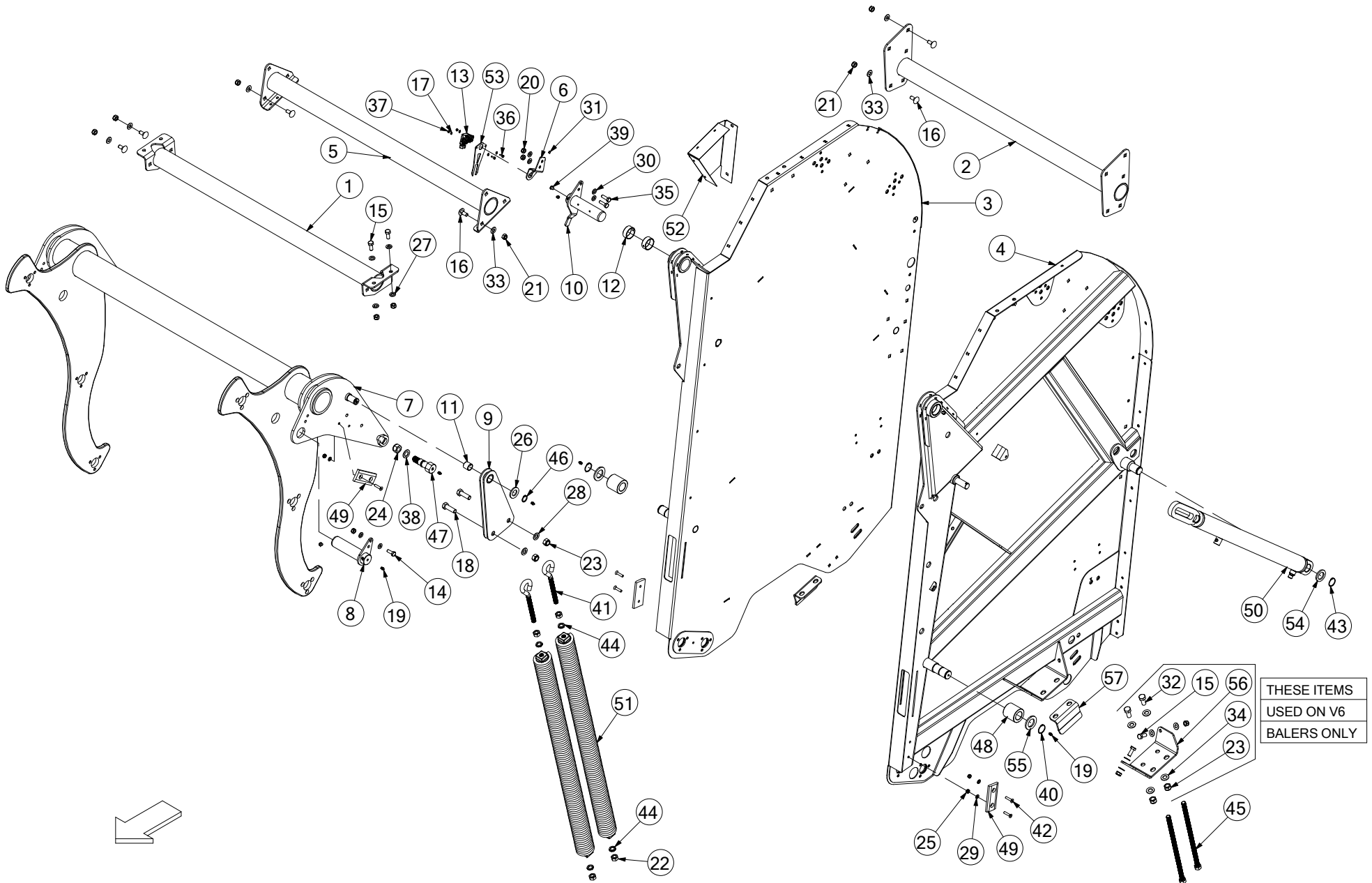
Rear chamber door 1 (1122)



No.	Part No	Description	Qty
1	ABC00022	BACK PANEL LOWER V6	1
2	ACH02533	BELT GUIDE WELD ASSY V6	1
3	ACH02940	BELT GUIDE PIN ASSEMBLY	1
4	ACH03032	BELT GUIDE TUBE VARIABLE CHAMBER	1
5	CBC00005	CAP PLASTC INSERT ROUND 42.4MM	6
6	CBC00178	HAND WHEEL KNOB M8 MALE	1
7	CBE00042	RUBBER HANDLE NETTER UNIT	1
8	CBE00197	BUFFER ASSY 43 SHORE V BALER	2
9	CBE00228	RUBBER BUFFER 70 SHORE	4
10	CEL00643	60MM AMBER REFLECTOR 07.039.000	2
11	CEL00700	LIGHT F550 (2012 MODEL) LHS	1
12	CEL00701	LIGHT F550 (2012 MODEL) RHS	1
13	CEL00720	REG PLATE LIGHT 900MM (RADEX)	1
14	CFA00024	SETSCREW M10X25 Z/P	12
15	CFA00068	BOLT M10X25 CUP SQ. Z/P	4
16	CFA00080	SETSCREW M12X100 Z/P	2
17	CFA00123	NUT M10 NYLOC	14
18	CFA00125	NUT M12 Z/P	6
19	CFA00131	NUT M6 NYLOC	4
20	CFA00132	NUT M8 NYLOC Z/P	21
21	CFA00135	WASHER FLAT 1" Z/P	2
22	CFA00144	WASHER FLAT 6MM Z/P	4
23	CFA00147	WASHER FLAT 8MM Z/P	22
24	CFA00201	WASHER FLAT 10 MM Z/P	28
25	CFA00297	BOLT M12X40 Z/P	2
26	CFA00316	BOLT M8X30 Z/P	1
27	CFA00321	NUT M5 NYLOC	2
28	CFA00337	WASHER FLAT 5MM Z/P	2
29	CFA00338	NUT M8	1
30	CFA00407	BOLT M8X25 Z/P	1
31	CFA00429	SETSCREW M8X20 BUTTON HEAD Z/P	12
32	CFA00556	SPLIT PIN 6X50 Z/P	2
33	CFA00783	WASHER NL16 NORD-LOCK	2
34	CMH00742	BUSH 8X20X13 ZINC PLATED	1
35	CMH02924	INDEX PIN 16X65	1
36	CSG00010	SPRING COMP 1.625X16X40X8	1
37	CSG00208	SPRING EXT 3.5X28X188X43 Z/P	1
38	CSG00231	SPRING EXT 3.66X20X80X15 B/C	1
39	CTP00075	PARKING CHOCKS BALE	2
40	CTP00076	BRACKET FOR PARKING CHOCK	2
41	CZC04479	3MM L RHS LIGHT BRACKET F550	1
42	CZC04485	3MM L LHS LIGHT BRACKET F550	1
43	CZC05783	3MM WASHER 27X15.5X3	1
44	CZD04507	4MM L BUFFER SPACER V6/VARIO	2
45	CZF05958	8MM L ADJUSTER BRACKET V6	2
46	CZF06085	6MM L ADJUSTER BRACKET V6	2
47	CZF10093	6MM L TENSION ARM LOCK PART	1
48	CZG04334	8MM L TENSION ARM LOCK PART	1

No.	Part No	Description	Qty
-----	---------	-------------	-----

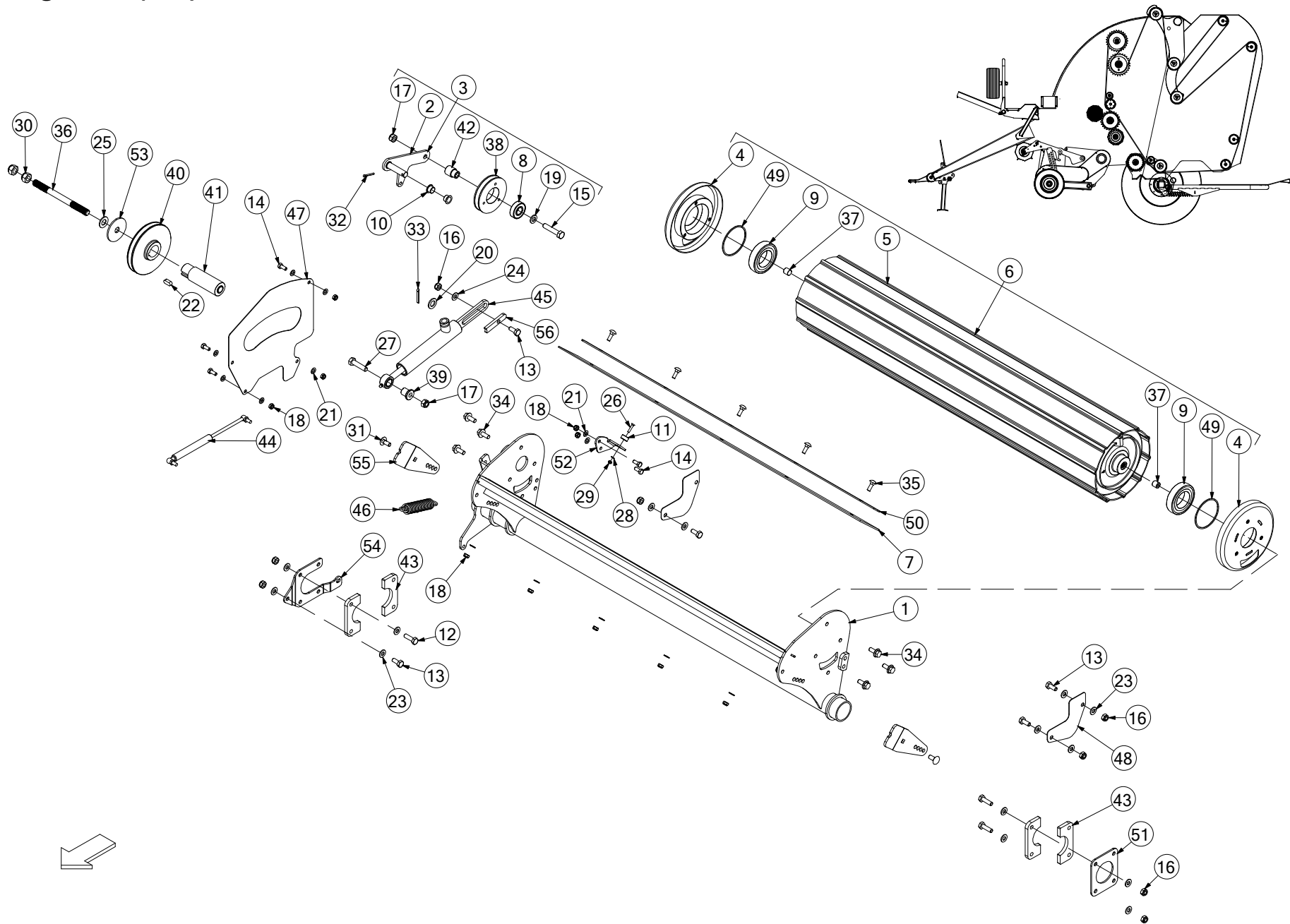
Rear chamber door 2 [From V6 Serial No 802078 + Vario 900072] (919)



No.	Part No	Description	Qty
1	ACH02524	6MM BRACE BRKT V6	1
2	ACH02532	BRACE WELD ASSY V6	1
3	ACH02548	BACK DOOR WELD ASSY RIGHT V6	1
<i>USED ON V6 UP TO SERIAL No 807999 & ON FUSION VARIO UP TO SERIAL No 900763</i>			
3	ACH03123	BACK DOOR WELD ASSY RIGHT V6 AND VARIO	1
<i>USED ON V6 FROM SERIAL No 808000 & ON FUSION VARIO FROM SERIAL No 900764</i>			
4	ACH02557	REAR SIDE WALL LEFT V6	1
<i>USED ON V6 UP TO SERIAL No 807999 & ON FUSION VARIO UP TO SERIAL No 900763</i>			
4	ACH03124	REAR SIDE WALL LEFT V6 AND VARIO	1
<i>USED ON V6 FROM SERIAL No 808000 & ON FUSION VARIO FROM SERIAL No 900764</i>			
5	ACH03067	CROSS BEAM WELD ASSY V6 AND VARIO	1
<i>REPLACES ACH02559</i>			
6	ACH02625	POTENTIOMETER BRACKET ASSY VARIO	1
7	ALA00494	TENSION ARM WELD ASSY V6 MKIII	1
8	ALA00496	45MM PIN ASSY V6	1
9	ALA00535	SPRING LINK ASSY V6	2
10	ALA00699	45MM PIN ASSEMBLY V6	1
11	CBR00039	BEARING GLACIER PM 2525 DX	2
12	CBR02003	BEARING GLACIER PM 4520 DX	4
13	CEL00785	ANGLE SENSOR, 120 DEGREE, 0.5-4.5VOLT	1
14	CFA00025	SETSCREW M10X30	2
15	CFA00032	SETSCREW M12X30 Z/P	8
16	CFA00078	SETSCREW M12X30 CUP SQ Z/P	20
17	CFA00082	WASHER 4MM SHAKEPROOF	4
18	CFA00116	BOLT M16X50 Z/P	4
19	CFA00118	GREASE NIPPLE M8X1.25 STRAIGHT	9
20	CFA00123	NUT M10 NYLOC	4
21	CFA00124	NUT M12 NYLOC	28
22	CFA00127	NUT M16	8
23	CFA00128	NUT M16 NYLOC	8
24	CFA00129	NUT M20 NYLOC	2
25	CFA00132	NUT M8 NYLOC Z/P	8
26	CFA00135	WASHER FLAT 1" Z/P	2
27	CFA00138	WASHER FLAT 12MM Z/P	8
28	CFA00140	WASHER FLAT 16MM Z/P	4
29	CFA00147	WASHER FLAT 8MM Z/P	8
30	CFA00201	WASHER FLAT 10 MM Z/P	8
31	CFA00208	GRUBSCREW M6X6 Z/P	1
32	CFA00229	SETSCREW M16X35 Z/P	4
33	CFA00250	WASHER SKM12	28
34	CFA00252	WASHER SKM16	8
35	CFA00311	SETSCREW M10X35 Z/P	2
36	CFA00391	SETSCREW M4X16 Z/P	2
37	CFA00392	NUT M4 NYLOC	2
38	CFA00413	WASHER FLAT 20MM Z/P	2
39	CFA00447	SETSCREW M8X10 BUTTON HD Z/P	3
40	CFA00514	CIRCLIP 35MM EXTERNAL	2
41	CFA00561	EYE BOLT 16MM SPRING TENSIONER	4
42	CFA00581	SETSCREW M8X35 CSK Z/P	8
43	CFA00638	CIRCLIP EXTERNAL 33MM Z/P	2

No.	Part No	Description	Qty
44	CFA00783	WASHER NL16 NORD-LOCK	8
45	CFA00953	BOLT SPECIAL V6 MK3	4
46	CFA01007	CIRCLIP 25MM EXTERNAL DIN471	2
47	CMH01300	PIN 40X105 M20 THREAD	2
48	CMH02340	BUSH 35X60X60 DOOR LOCK V660	2
48	KST00115	50MM BUSH KIT V6/ VARIO DOOR	1
<i>ALLOWS BACK DOOR TO OPEN SLIGHTLY WHICH HELPS ELIMINATE BELT DAMAGE IN STONEY CROPS</i>			
49	CPL00111	BACK DOOR WEAR PLATE (VAR BALER)	4
50	CRA00712	BELT TENSION RAM V6 MKIII	2
<i>USED ON V640/V660 MACHINES & FUSION VARIO UP TO SERIAL No 900772 (SINGLE SLOT CLEVIS AS SHOWN)</i>			
50	CRA00884	BELT TENSION RAM V6	2
<i>USED ON V6740/V6750 MACHINES & FUSION VARIO FROM SERIAL No 900773 (TWIN SLOT CLEVIS NOT SHOWN)</i>			
50	CSE00627	SEAL KIT V6 TENSION RAM INCL PISTON	1
51	CSG00242	TENSION SPRING ASSY V6	4
52	CZB02494	1.5MM L BALE SHAPE SENSOR COVER	1
<i>USED ON V640/V660 MACHINES UP TO SERIAL No 805000 & ON FUSION VARIO UP TO 900339</i>			
53	CZC04833	3MM L ANGLE SENSOT PRT TENSION ARM	1
54	CZE04248	WASHER 50X32.5X5	2
55	CZE04336	WASHER 59X35.5X5 BELT BALER	2
55	KST00115	50MM BUSH KIT V6/ VARIO DOOR	1
<i>ALLOWS BACK DOOR TO OPEN SLIGHTLY WHICH HELPS ELIMINATE BELT DAMAGE IN STONEY CROPS</i>			
56	CZF06327	6MM L SPRING BRKT MK3 V6	2
<i>USED ON V6 SERIES BALERS ONLY</i>			
57	CZF06702	6MM CRADLE STOP BRACKET VARIO	2
<i>USED ON FUSION VARIO ONLY</i>			

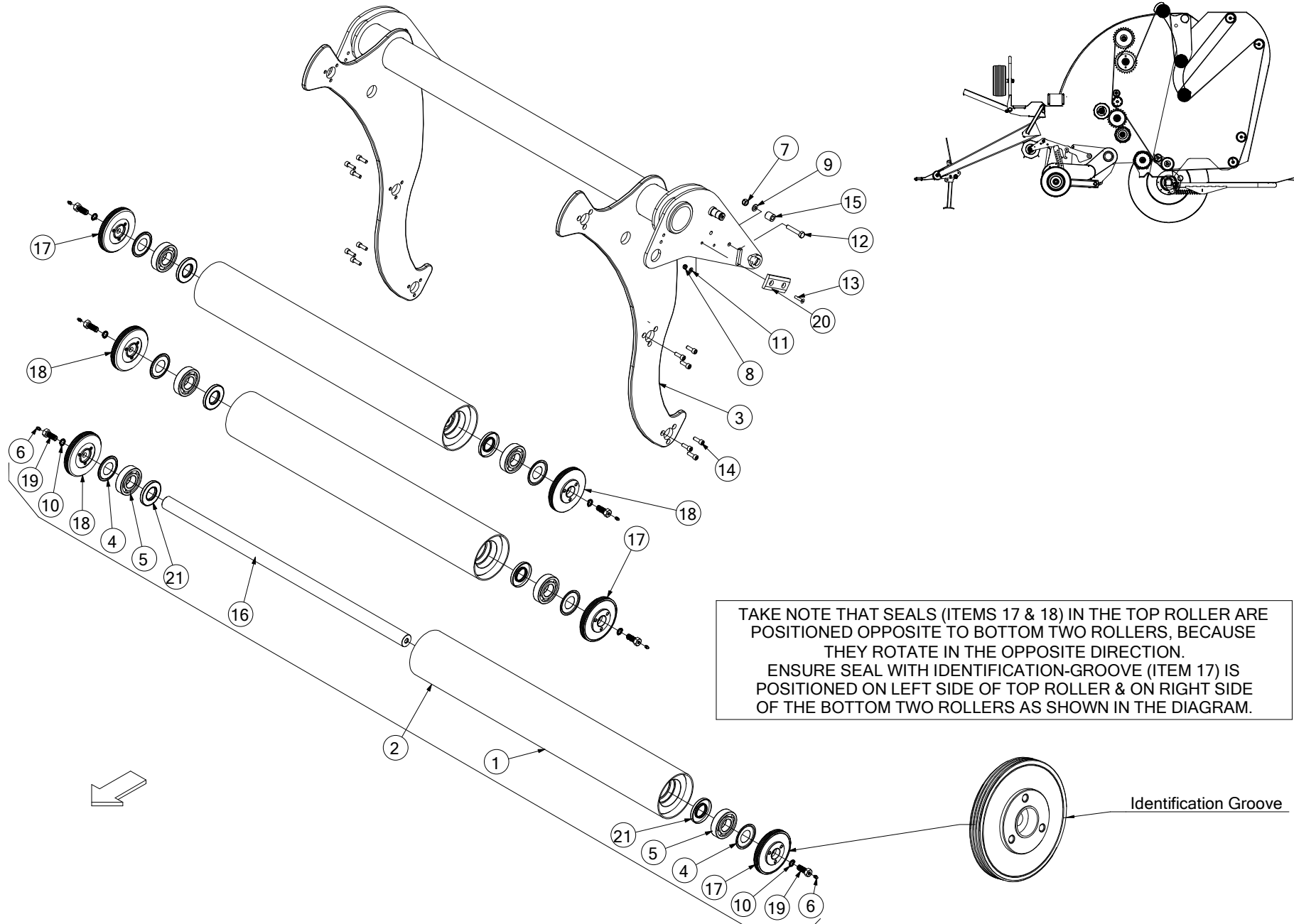
Moving roller (854)



No.	Part No	Description	Qty
1	ARC00218	ROLLER CRADLE WELD ASSY V660	1
2	ARC00221	BELT TENSIONER ARM WELD ASSY	1
3	ARC00222	BELT TENSION ARM COMP ASSY	1
4	CMH00977	BUSH 90X135X25	1
<i>USED UP TO SERIAL No 806189 LEFT SIDE</i>			
4	CPL00052	NYLON SEAL ROLLER DRIVE SIDE	1
<i>USED UP TO SERIAL No 806189 LEFT SIDE</i>			
4	CMH01187	FLANGE 90X145X25 3 HOLE	1
<i>USED UP TO SERIAL No 806189 RIGHT SIDE</i>			
4	CPL00053	NYLON SEAL ROLLER NON DRIVE SIDE	1
<i>USED UP TO SERIAL No 806189 RIGHT SIDE</i>			
4	ARC00446	SPUN ROLLER SEAL MOVING ROLLER	2
<i>USED FROM SERIAL No 806190</i>			
5	ARC00219	BALER ROLLER STD SHFT WELD ASY	1
<i>USED UP TO SERIAL No 806189</i>			
5	ARC00470	ROLLER WELD ASSY NET FEED	1
<i>USED FROM SERIAL No 806190</i>			
6	ARC00220	ROLLER COMP ASSY NET FEED	1
<i>USED UP TO SERIAL No 806189</i>			
6	ARC00471	ROLLER COMP ASSY NET FEED	1
<i>USED FROM SERIAL No 806190</i>			
7	CBE00217	RUBBER 100 X 1600 V660 CRADLE	1
8	CBR00020	BEARING 6204 2RS	1
9	CBR00083	BEARING 1726210-2RS RADIAL	2
10	CBR00118	BEARING STEPPED PLAS 16X18X12	2
11	CEL00059	MAGNET 20 X 10 260369	1
12	CFA00016	BOLT M10X35	6
13	CFA00024	SETSCREW M10X25 Z/P	5
14	CFA00052	SETSCREW M8X20 Z/P	6
15	CFA00076	BOLT M12X60 Z/P	1
16	CFA00123	NUT M10 NYLOC	13
17	CFA00124	NUT M12 NYLOC	2
18	CFA00132	NUT M8 NYLOC Z/P	11
19	CFA00138	WASHER FLAT 12MM Z/P	1
20	CFA00140	WASHER FLAT 16MM Z/P	1
21	CFA00147	WASHER FLAT 8MM Z/P	15
22	CFA00155	KEY 10 X 8 X 25	1
23	CFA00201	WASHER FLAT 10 MM Z/P	22
24	CFA00251	WASHER SKM10	1
25	CFA00252	WASHER SKM16	1
26	CFA00261	SETSCREW M5X25 CSK HEX SS	1
27	CFA00272	BOLT M12X50 Z/P	1
28	CFA00337	WASHER FLAT 5MM Z/P	1
29	CFA00348	NUT M5 NYLOC SS	1
30	CFA00414	NUT M16X1.5 NYLOC FINE THREAD	2
31	CFA00442	SETSCREW M10X25 CUP SQ	2
32	CFA00450	SPLIT PIN 4 X36 Z/P	1
33	CFA00475	SPLIT PIN 5X40 Z/P	1
34	CFA00520	SETSCREW M10X25 FLD ZP	6
35	CFA00591	BOLT M8X25 CUP SQ Z/P	5

No.	Part No	Description	Qty
36	CFA00867	M16X205 BOLT SPECIAL V660	1
37	CFA00906	GRUB SCREW M16X16 DIN913	2
38	CMH00596	V BELT PULLEY WHEEL	1
39	CMH01214	BUSH 12.5X20X27 STEPPED Z/P	1
40	CMH01240	PULLEY 35X150 A SECTION	1
41	CMH01275	PIN 45X135 STEPPED 35	1
42	CMH01298	BUSH 12X25X35 STEPPED 20	1
43	CPL00123	ROLLER CRADLE HINGE BUSH	4
44	CRA00262	GAS STRUT 8X18X95 500NM	1
45	CRA00574	KNIFE RESET RAM BELT BALER	1
46	CSG00011	SPRING EXT 3.66X28.5X135X25	1
47	CZB02374	1.5MM L DIRT GUARD PART V660	1
48	CZB04438	1.5MM COVER PLATE V6	2
49	CZB04755	2MM L BEARING RETAINER RING	2
<i>USED FROM SERIAL No 806190</i>			
50	CZC03454	3MM L BACKING STRIP ROLLER CRADLE	1
51	CZD00237	4MM L HINGE SUPPORT PART	1
52	CZD02646	4MM L MAGNET BRACKET PART	1
53	CZD04321	4MM L WASHER 16X70X4 Z/P	1
54	CZD04780	4MM L PIVOT SUPPORT PART V6	1
55	CZF05626	6MM L ROLLER STOP BRACKET	2
56	CZG04363	8MM RAM SPACER V660	1

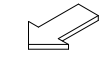
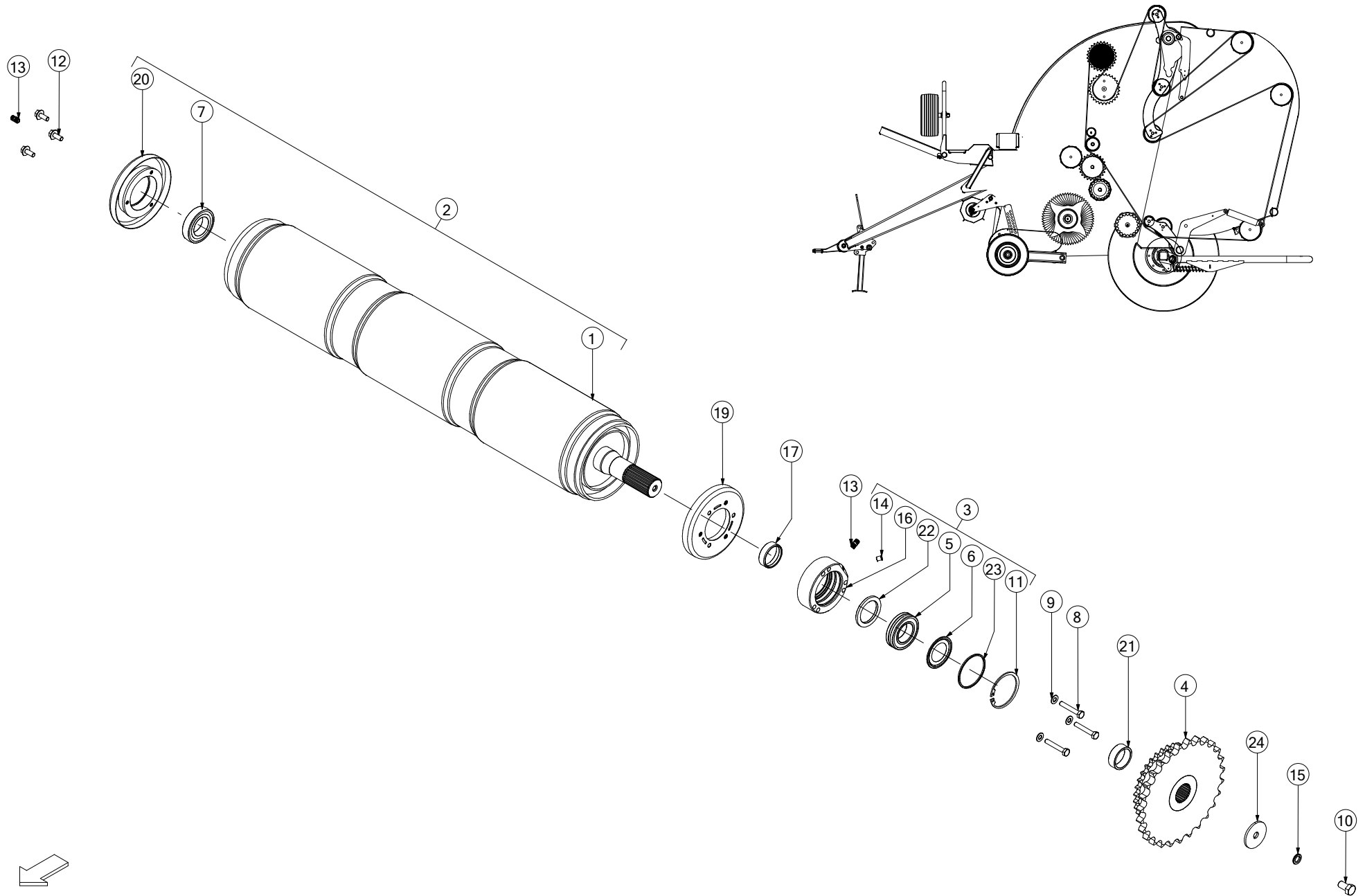
Tension arm rollers (858)



No.	Part No	Description	Qty
0	ALA00682	TENSION ARM COMPLETE ASSY V6 MKIII	1
<i>COMPLETE ASSEMBLY WITH ROLLERS (INCLUDES ITEMS 1 THROUGH 21)</i>			
1	ACH02016	TUBE WELD ASSY	3
2	ACH02017	ROLLER COMP V BALER	3
3	ALA00494	TENSION ARM WELD ASSY V6 MKIII	1
4	CBR00281	NILOS RING 6309 AV	6
5	CBR00253	BEARING 6309 2RS	6
6	CFA00118	GREASE NIPPLE M8X1.25 STRAIGHT	6
<i>USED FROM SERIAL No 803401/900340 (V6/VARIO - GREASING)</i>			
7	CFA00124	NUT M12 NYLOC	4
8	CFA00132	NUT M8 NYLOC Z/P	4
9	CFA00138	WASHER FLAT 12MM Z/P	4
10	CFA00142	WASHER SPRING 16MM Z/P	6
11	CFA00147	WASHER FLAT 8MM Z/P	4
12	CFA00579	BOLT M12X65 ZP	4
13	CFA00581	SETSCREW M8X35 CSK ZP	4
14	CFA00809	BOLT M10X30 SOC CAP 12.9	18
15	CMH00745	BUSH 12X25X25	4
16	CMH02007	SHAFT VAR BALER	3
17	CMH02014	SEALING DISC V BALER	3
<i>SEAL WITH IDENTIFICATION GROOVE ON NEARSIDE FOR LOWER 2 ROLLERS AND ON FAR SIDE FOR TOP ROLLER</i>			
18	CMH02015	SEALING DISC V BALER	3
19	CFA00229	SETSCREW M16X35 Z/P	6
<i>USED UP TO SERIAL No 803400/900339 (V6/VARIO - NON GREASING)</i>			
19	CMH02754	BOLT M16 X 40 GREASING BOLT	6
<i>USED FROM SERIAL No 803401/900340 (V6/VARIO - GREASING)</i>			
20	CPL00111	BACK DOOR WEAR PLATE (VAR BALER)	2
21	CSE00642	GREASE SEAL 45X90X10	6
<i>USED FROM SERIAL No 803401/900340 (V6/VARIO - GREASING)</i>			

No.	Part No	Description	Qty
-----	---------	-------------	-----

Top drive roller (639)



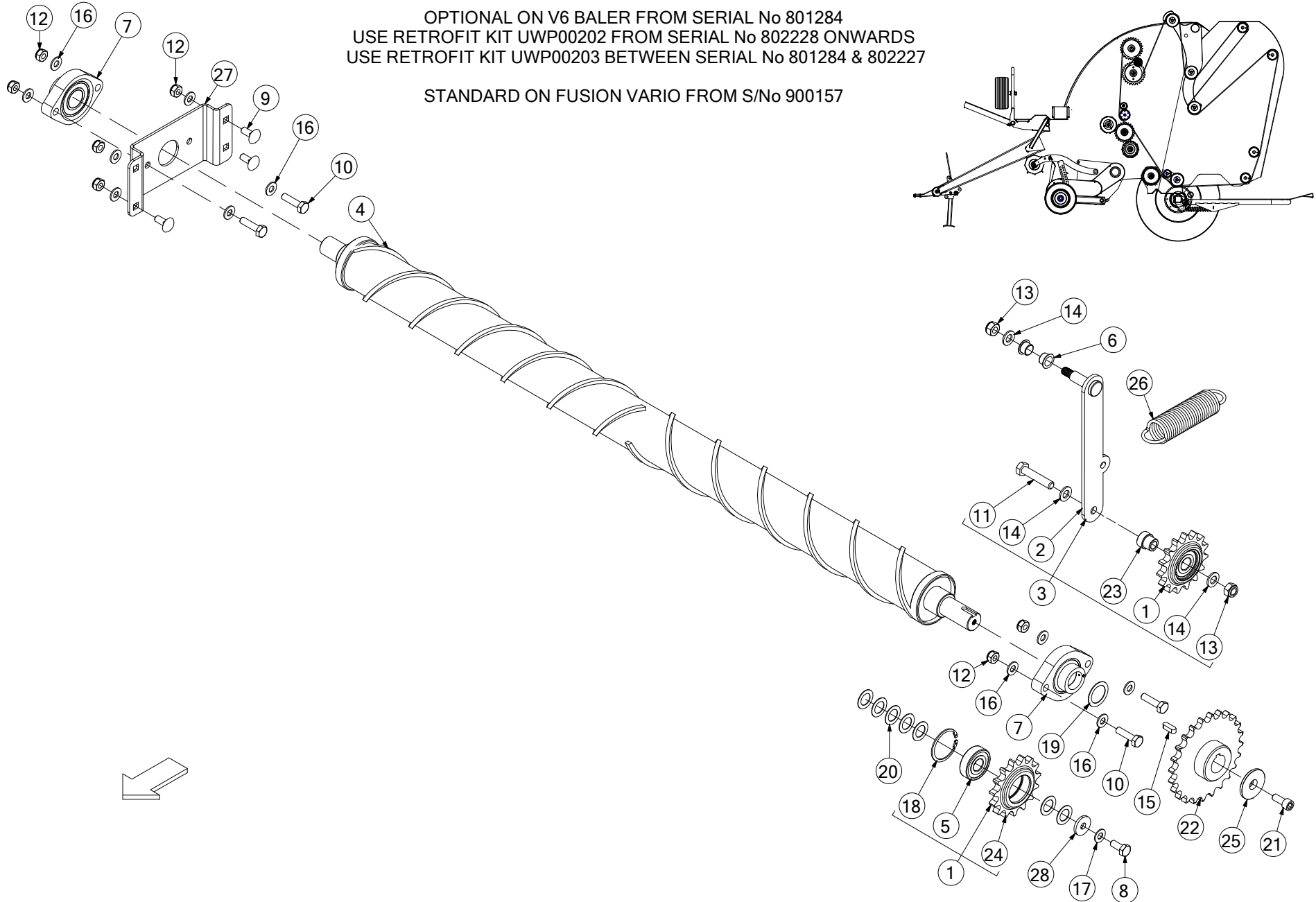
No.	Part No	Description	Qty
1	ARC00487	3 BELT DRIVE ROLLER BELT BALER	1
<i>REPLACES ACH02023/ACH02946</i>			
2	ARC00487	3 BELT DRIVE ROLLER BELT BALER	1
<i>REPLACES ACH02033/ARC00432</i>			
3	ART00051	BEARING ROLLER COMP ASSY	1
4	ART00338	27T SPROCKET ASSY BELT BALER	1
5	CBR00060	BEARING SPHERICAL SKF 2210CC	1
6	CBR00061	NILOS-RING 6210AV	1
7	CBR00083	BEARING 1726210-2RS RADIAL	1
<i>USED UP TO SERIAL No 806548 ON V6 SERIES & UP TO SERIAL No 900706 ON FUSION VARIO</i>			
7	CBR00369	BEARING 1726310-2RS1	1
<i>USED FROM SERIAL No 806549 ON V6 SERIES & FROM SERIAL No 900707 ON FUSION VARIO</i>			
8	CFA00028	BOLT M10X65 Z/P	3
9	CFA00251	WASHER SKM10	3
10	CFA00399	SETSCREW M16X30 Z/P	1
11	CFA00452	CIRCLIP 95MM INTERNAL	1
12	CFA00520	SETSCREW M10X25 FLD ZP	3
13	CFA00549	GREASE FITTING 6MM X 1/8"	2
14	CFA00559	GRUBSCREW M10X12	1
15	CFA00783	WASHER NL16 NORD-LOCK	1
16	CMH00511	BUSH 90X135X46 BEARING HOUSING	1
17	CMH00445	BEARING ROLLER SLEEVE 50 ID X14	1
<i>UP TO SERIAL NO 801349</i>			
17	CMH01363	BEARING ROLLER SLEEVE 50 ID X18	1
<i>FROM SERIAL NO 801350</i>			
19	ARC00287	SPUN ROLLER SEAL DS V6	1
20	ARC00288	SPUN ROLLER SEAL NDS V6	1
<i>USED UP TO SERIAL No 806548 ON V6 SERIES & UP TO SERIAL No 900706 ON FUSION VARIO</i>			
20	ARC00484	SPUN ROLLER SEAL NDS DRIVE V6 VARIO	1
<i>USED FROM SERIAL No 806549 ON V6 SERIES & FROM SERIAL No 900707 ON FUSION VARIO</i>			
21	CMH02349	BUSH 50X60X20	1
22	CSE00099	SEAL OIL 58X80X8	1
23	CZC02063	3MM L BEARING RETAINER RING	1
24	CZE04255	5MM L WASHER 16X70X5	1

No.	Part No	Description	Qty
-----	---------	-------------	-----

Top cleaning auger (963)

OPTIONAL ON V6 BALER FROM SERIAL No 801284
USE RETROFIT KIT UWP00202 FROM SERIAL No 802228 ONWARDS
USE RETROFIT KIT UWP00203 BETWEEN SERIAL No 801284 & 802227

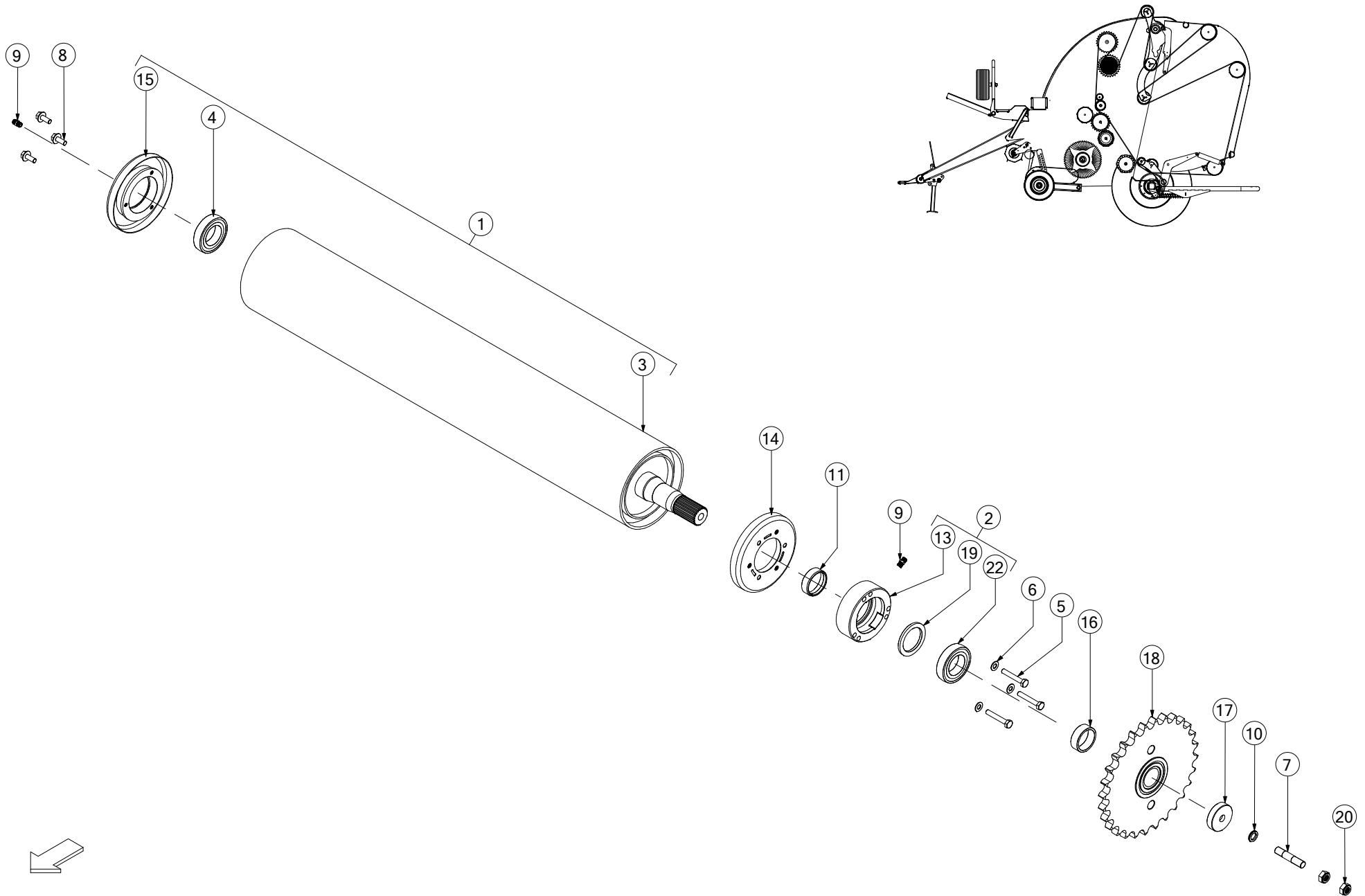
STANDARD ON FUSION VARIO FROM S/No 900157



No.	Part No	Description	Qty
0	UWP00202	TOP CLEANING AUGER V6 & VARIO > S No 802228 <i>RETROFIT KIT FOR V6 MACHINES FROM S/No 802228 ONWARDS (INCLUDES ALL ITEMS & INSTRUCTIONS)</i>	1
0	UWP00203	TOP CLEANING AUGER V6 & VARIO < S No 802228 <i>RETROFIT KIT FOR V6 MACHINES PRIOR TO S/No 802228 (INCLUDES ALL ITEMS, TEMPLATES & INSTRUCTIONS)</i>	1
1	ALA00700	TENSIONER SPROCKET ASSEMBLY V6 <i>INCLUDES ITEMS 5, 18 & 24</i>	2
2	ALA00731	AUGER CHAIN TENSIONER V6	1
3	ALA00732	AUGER CHAIN TENSIONER V6 <i>INCLUDES ITEMS 1, 2, 11, 13, 14 & 23</i>	1
4	ARC00372	TOP AUGER WELD ASSY	1
5	CBR00066	BEARING 6304 2RS	2
6	CBR00118	BEARING STEPPED PLAS 16X18X12	2
7	CBR00288	BEARING FLCTE30	2
8	CFA00024	SETSCREW M10X25 Z/P	1
9	CFA00068	BOLT M10X25 CUP SQ. Z/P	4
10	CFA00071	BOLT M10X40	4
11	CFA00076	BOLT M12X60 Z/P	1
12	CFA00123	NUT M10 NYLOC	8
13	CFA00124	NUT M12 NYLOC	2
14	CFA00138	WASHER FLAT 12MM Z/P	6
15	CFA00154	KEY 8 X 7 X 25	1
16	CFA00201	WASHER FLAT 10 MM Z/P	12
17	CFA00251	WASHER SKM10	1
18	CFA00461	CIRCLIP 52MM INTERNAL DIN 472	2
19	CFA00572	SHIM 30X42X1	1
20	CFA02282	SHIM 20X32X1.0	7
21	CFA02315	BOLT M10X25 SOC CAP 12.9	1
22	CMH01265	SPROCKET 3/4 24 TOOTH	1
23	CMH02744	BUSH 30 X 25 STEPPED 20 <i>REPLACES SHORTER BUSH CMH01398 & 3x FLATWASHERS CFA00138 (ITEM 14)</i>	1
24	CMH02647	3/4 15T SPROCKET BELT BALER	2
25	CMH02673	BUSH 10.5X50X11 STEPPED	1
26	CSG00229	SPRING EXT 4.88X40.8X176X24	1
27	CZD04880	4MM L TOP AUGER BRACKET V6 <i>UP TO SERIAL No 803404 (AS SHOWN)</i>	1
27	CZD05038	4MM L TOP AUGER BRACKET V6 VARIO <i>FROM SERIAL No 803405</i>	1
28	CZD04886	4MM L WASHER 32X10.5	1

No.	Part No	Description	Qty
-----	---------	-------------	-----

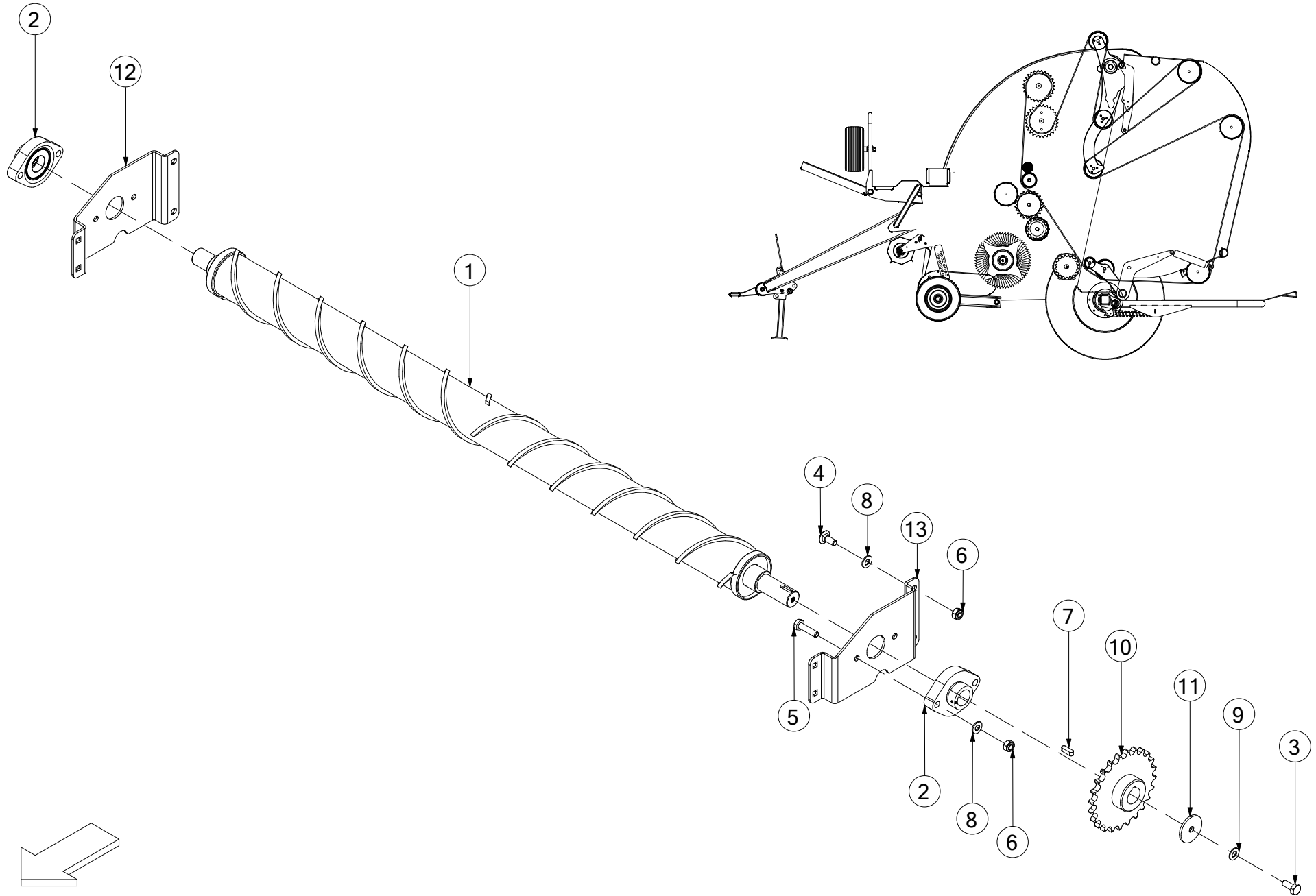
Bottom drive roller (640)



No.	Part No	Description	Qty
1	ARC00495	2ND DRIVE ROLLER BELT BALER	1
	<i>(REPLACES ARC00170)</i>		
2	ART00051	BEARING ROLLER COMP ASSY	1
	<i>REPLACES ART00293</i>		
3	ARC00495	2ND DRIVE ROLLER BELT BALER	1
4	CBR00083	BEARING 1726210 2RS	1
	<i>USED UP TO SERIAL No 806548 ON V6 SERIES & UP TO SERIAL No 900706 ON FUSION VARIO</i>		
4	CBR00369	BEARING 1726310-2RS1	1
	<i>USED FROM SERIAL No 806549 ON V6 SERIES & FROM SERIAL No 900707 ON FUSION VARIO</i>		
5	CFA00028	BOLT M10X65 Z/P	3
6	CFA00251	WASHER SKM10	3
7	CFA00933	STUD M16X70 GRADE 10.9 F/TX1	1
8	CFA00520	SETSCREW M10X25 FLANGED 8.8 ZP	3
9	CFA00549	GREASE FITTING 6MM X 1/8"	2
10	CFA00783	WASHER NL16 NORD-LOCK	1
11	CMH01363	BEARING ROLLER SLEEVE 50 ID X18	1
	<i>UP TO SERIAL NO 801349</i>		
11	CMH00906	BEARING ROLLER SLEEVE 50 ID X21	1
	<i>FROM SERIAL NO 801350</i>		
13	CMH00511	BUSH 90X135X46 BEARING HOUSING	1
	<i>REPLACES CMH00905</i>		
14	ARC00287	SPUN ROLLER SEAL DS V6	1
15	ARC00386	SPUN ROLLER SEAL NDS SECONDARY DRIVE V6	1
	<i>USED UP TO SERIAL No 806548 ON V6 SERIES & UP TO SERIAL No 900706 ON FUSION VARIO</i>		
15	ARC00484	SPUN ROLLER SEAL NDS DRIVE V6 VARIO	1
	<i>USED FROM SERIAL No 806549 ON V6 SERIES & FROM SERIAL No 900707 ON FUSION VARIO</i>		
16	CMH02349	BUSH 50X60X20	1
17	CMH02350	WASHER STEPPED 52X46X16	1
18	CMT00200	OVERRUNNING CLUTCH BELT BALER	1
19	CSE00099	SEAL OIL 58X80X8	1
20	CFA00386	NUT M16X1.5 NYLOC FINE DIN 985	2
22	CBR00060	BEARING SPHERICAL SKF 22210CC	1
	<i>REPLACES CBR00083</i>		
22a	CBR00061	NILOS-RING 6210AV	1
22b	CZC02063	3MM L BEARING RETAINER RING	1
22c	CFA00452	CIRCLIP 95MM INTERNAL	1

No.	Part No	Description	Qty
-----	---------	-------------	-----

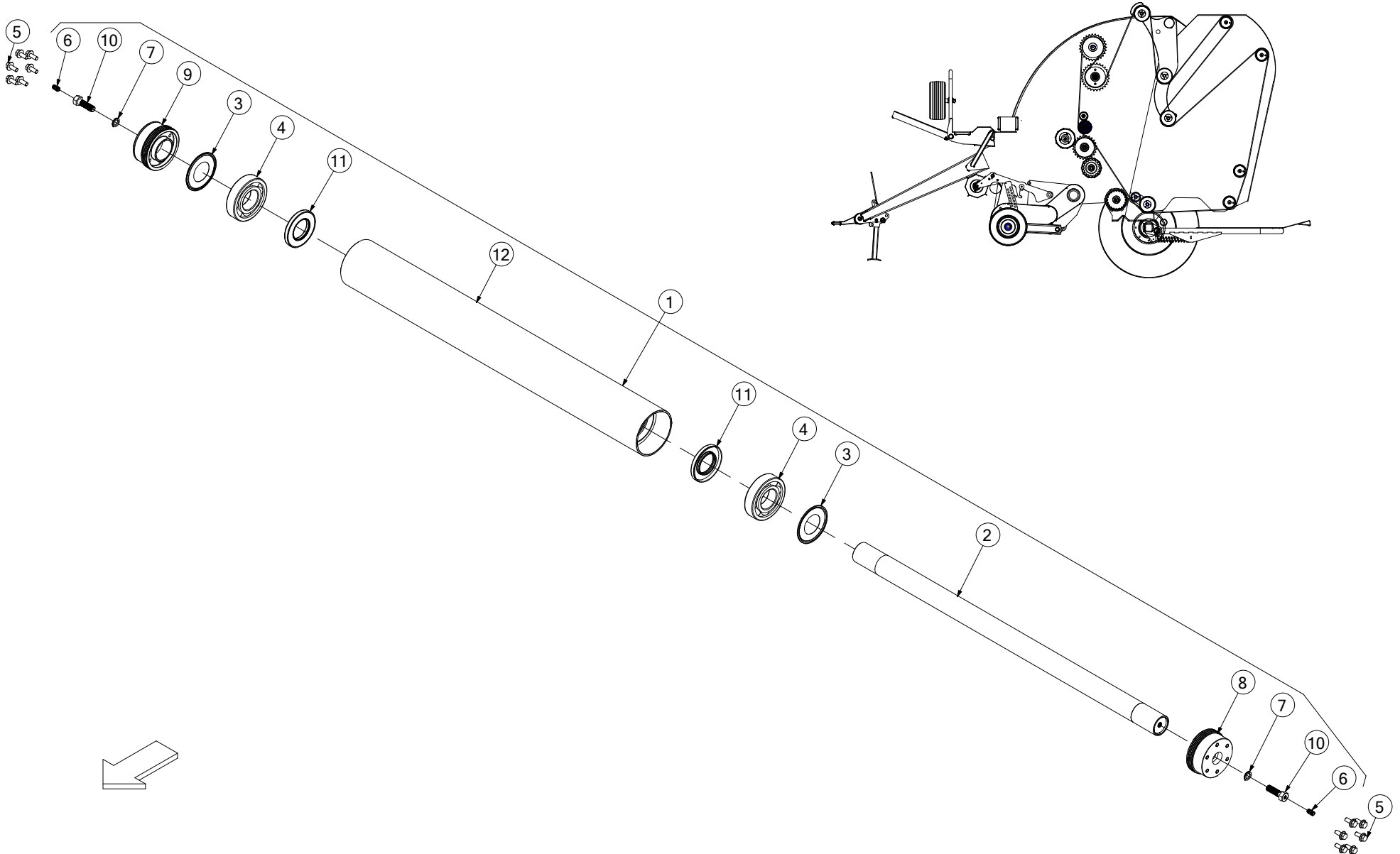
Mid cleaning auger (646)



No.	Part No	Description	Qty
1	ARC00228	AUGER WELD ASSY LONG	1
2	CBR00288	BEARING FLCTE30	2
3	CFA00024	SETSCREW M10X25 Z/P	1
4	CFA00068	BOLT M10X25 CUP SQ. Z/P	8
5	CFA00071	BOLT M10X40	4
6	CFA00123	NUT M10 NYLOC	12
7	CFA00154	KEY 8 X 7 X 25	1
8	CFA00201	WASHER FLAT 10 MM Z/P	12
9	CFA00251	WASHER SKM10	1
10	CMH01265	SPROCKET 3/4" 24 TOOTH	1
11	CZD02479	4MM L WASHER 10.5X50X4 Z/P	1
12	CZD02602	4MM L AUGER BRACKET V660	1
13	CZD02603	4MM L AUGER BRACKET V660	1

No.	Part No	Description	Qty
-----	---------	-------------	-----

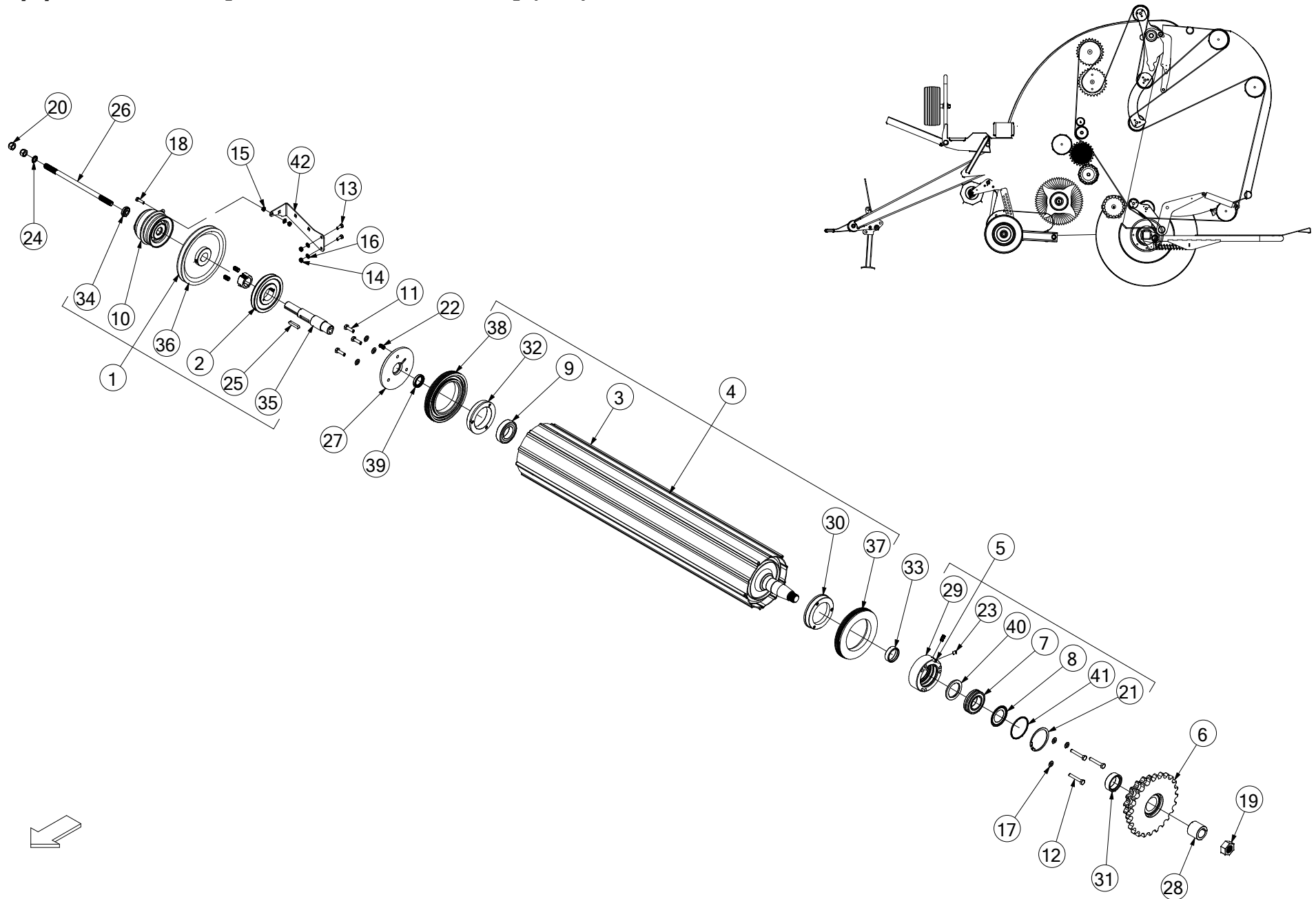
Small idle roller (645)



No. Part No	Description	Qty
1 ARC00209	ROLLER Ø140X1155 COMP ASSY	1
<i>ALSO ORDER 2x CFA00590 (ITEM 6) FOR V6/VARIO MACHINES PRIOR TO SERIAL No 803401/900340</i>		
2 ARC00210	SHAFT ASSY IDLE ROLLER BELT BALER	1
3 CBR00285	NILOS-RING 6312AV	2
4 CBR00284	BEARING 6312 2RS	2
5 CFA00520	SETSCREW M10X25 FLD ZP	12
6 CFA00590	GREASE NIPPLE 1/8 BSP ST	2
<i>ORDER WITH ARC00209 FOR NON GREASING V6/VARIO MACHINES PRIOR TO SERIAL No 803401/900340</i>		
6 CFA00549	GREASE FITTING 6MM X 1/8" M/M	2
<i>USED FROM SERIAL No 803401/900340 (V6/VARIO - GREASING)</i>		
7 CFA00783	WASHER NL16 NORD-LOCK	2
8 CMH01257	SEALING DISC LEFT VAR BALER	1
9 CMH01258	SEALING DISC RIGHT VAR BALER	1
10 CFA00229	SETSCREW M16X35 Z/P	2
<i>USED UP TO SERIAL No 803400/900339 (V6/VARIO - NON GREASING)</i>		
10 CMH02753	BOLT M16 X 55 GREASING BOLT	2
<i>USED FROM SERIAL No 803401/900340 (V6/VARIO - GREASING)</i>		
11 CSE00643	GREASE SEAL 60X110X12	2
<i>USED FROM SERIAL No 803401/900340 (V6/VARIO - GREASING)</i>		
12 ARC00467	VARIABLE CHAMBER FRONT DOOR IDLE ROLLER	1
<i>REPLACES CXT00543</i>		

No. Part No	Description	Qty
-------------	-------------	-----

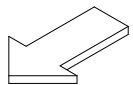
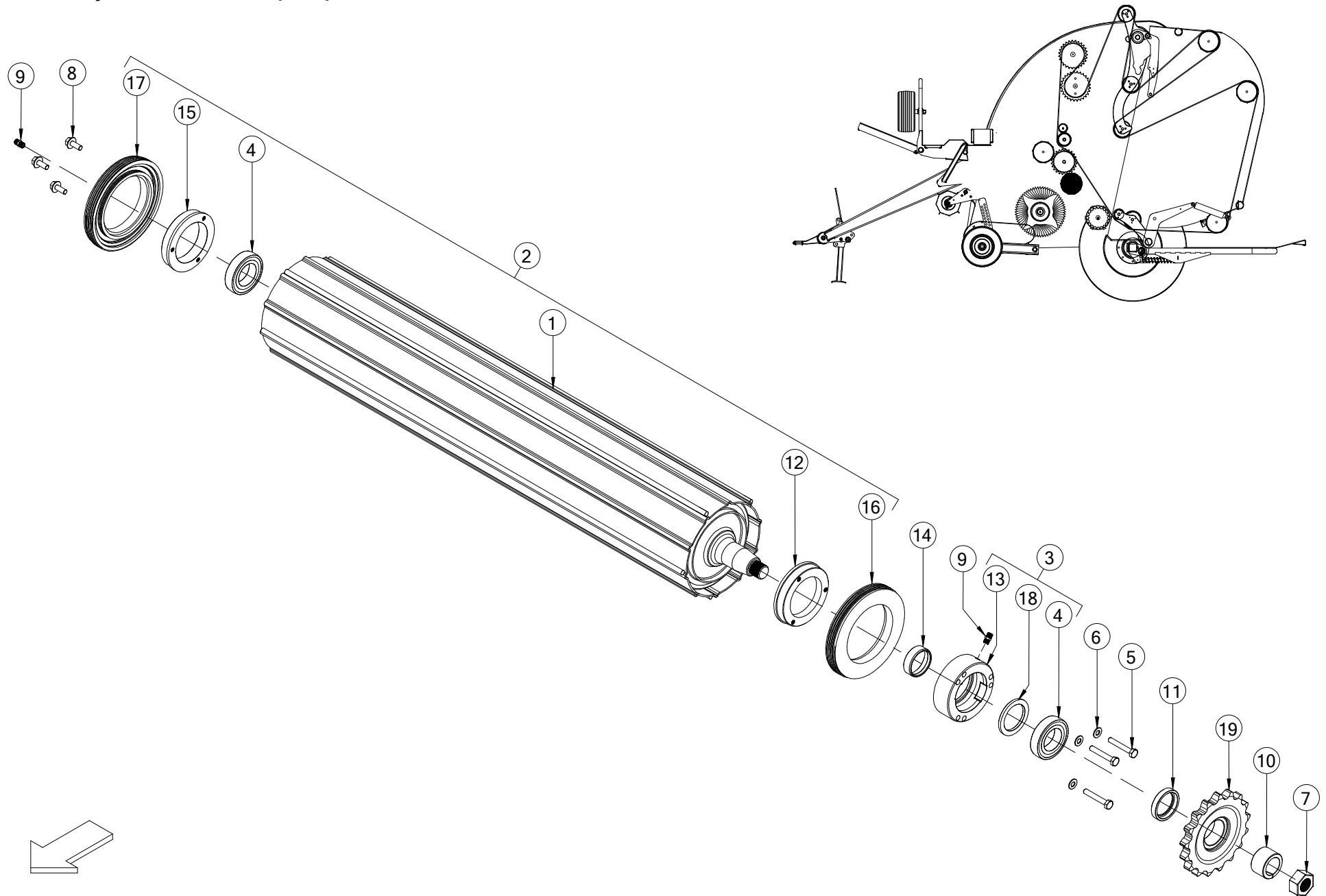
Top pressed roller [From Serial No 800350] (770)



No.	Part No	Description	Qty
1	ALA00479	NETTER CLUTCH SHAFT ASSY V660	1
<i>USED ON V6 SERIES UP TO SERIAL No 805000 & ON FUSION VARIO UP TO SERIAL No 900339</i>			
1	ALA00888	NETTER CLUTCH SHAFT ASSY VARIO	1
<i>USED ON FUSION VARIO ONLY FROM SERIAL No 900340</i>			
1	ALA01049	NETTER CLUTCH SHAFT ASSY V6 MKIV	1
<i>USED ON V6 SERIES ONLY FROM SERIAL No 805001</i>			
2	ARC00248	PULLEY 150 A SECTION TAPER LOCK	1
<i>USED ON FUSION VARIO UP TO SERIAL No 900339</i>			
3	ARC00256	ROLLER C/W FLAT IRON V660	1
4	ARC00333	TOP CHAMBER ROLLER COMP V6	1
5	ART00051	BEARING ROLLER COMP ASSY	1
6	ART00330	SPROCKET ASSY DOUBLE BELT BALER	1
7	CBR00060	BEARING SPHERICAL SKF 2210CC	1
8	CBR00061	NILOS-RING 6210AV	1
9	CBR00083	BEARING 1726210-2RS RADIAL	1
10	CEL00259	MAGNETIC CLUTCH UNIT 12V	1
11	CFA00016	BOLT M10X35	3
12	CFA00028	BOLT M10X65 Z/P	3
13	CFA00052	SETSCREW M8X20 Z/P	2
14	CFA00132	NUT M8 NYLOC Z/P	3
15	CFA00133	NUT M8 Z/P	1
16	CFA00147	WASHER FLAT 8MM Z/P	3
17	CFA00251	WASHER SKM10	6
18	CFA00316	BOLT M8X30 Z/P	1
19	CFA00401	NUT M30X2 FINE THREAD	1
20	CFA00386	NUT M16X1.5 NYLOC FINE THREAD	2
21	CFA00452	CIRCLIP 95MM INTERNAL	1
22	CFA00549	GREASE FITTING 6MM X 1/8" M/M	2
23	CFA00559	GRUBSCREW M10X12	1
24	CFA00783	WASHER NL16 NORD-LOCK	1
25	CFA00904	KEY 10X8X50	1
26	CFA00905	M16X350 BOLT SPECIAL NET CLUTCH	1
27	CMH00493	FLANGE 40 X 170 X 10	1
<i>UP TO SERIAL No 805026</i>			
27	ARC00150	SEAL PLATE ASSY NET CLUTCH	1
<i>FROM SERIAL No 805027 (INCLUDES GREASE FITTING ITEM 22 & SHAFT SEAL ITEM 39)</i>			
28	CMH00508	BUSH 36X58X47 TAPER	1
29	CMH00511	BUSH 90X135X46 BEARING HOUSING	1
30	CMH00696	FLANGE 90X140X25 MACHINED	1
31	CMH00736	BUSH 50X68X25 STEPPED 58	1
32	CMH01187	FLANGE 90X145X25 3 HOLE	1
33	CMH01363	BEARING ROLLER SLEEVE 50 IDX18	1
<i>REPLACES CMH00445 (50 ID X 14)</i>			
34	CMH02206	WASHER 16X38X10 STEPPED Z/P	1
35	CMH02451	CLUTCH SHAFT V660	1
36	CTP00487	PULLEY PRESSED STEEL 224MM SPB	1
<i>USED ON V6 SERIES UP TO SERIAL No 805000 & ON FUSION VARIO UP TO SERIAL No 900339 (REPLACES CMH02452)</i>			
37	CPL00052	NYLON SEAL ROLLER DRIVE SIDE	1
<i>CPL00052 & CPL00053 SHOULD BE REPLACED AS A PAIR</i>			
38	CPL00053	NYLON SEAL ROLLER NON DRIVE SIDE	1
<i>CPL00052 & CPL00053 SHOULD BE REPLACED AS A PAIR</i>			

No.	Part No	Description	Qty
39	CSE00098	SEAL RADIAL SHAFT SEAL 35 X 50 X 8	1
40	CSE00099	SEAL OIL 58X80X8	1
41	CZC02063	3MM L BEARING RETAINER RING	1
42	CZC03325	3MM L CLUTCH TORQUE ARM PART	1

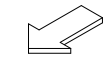
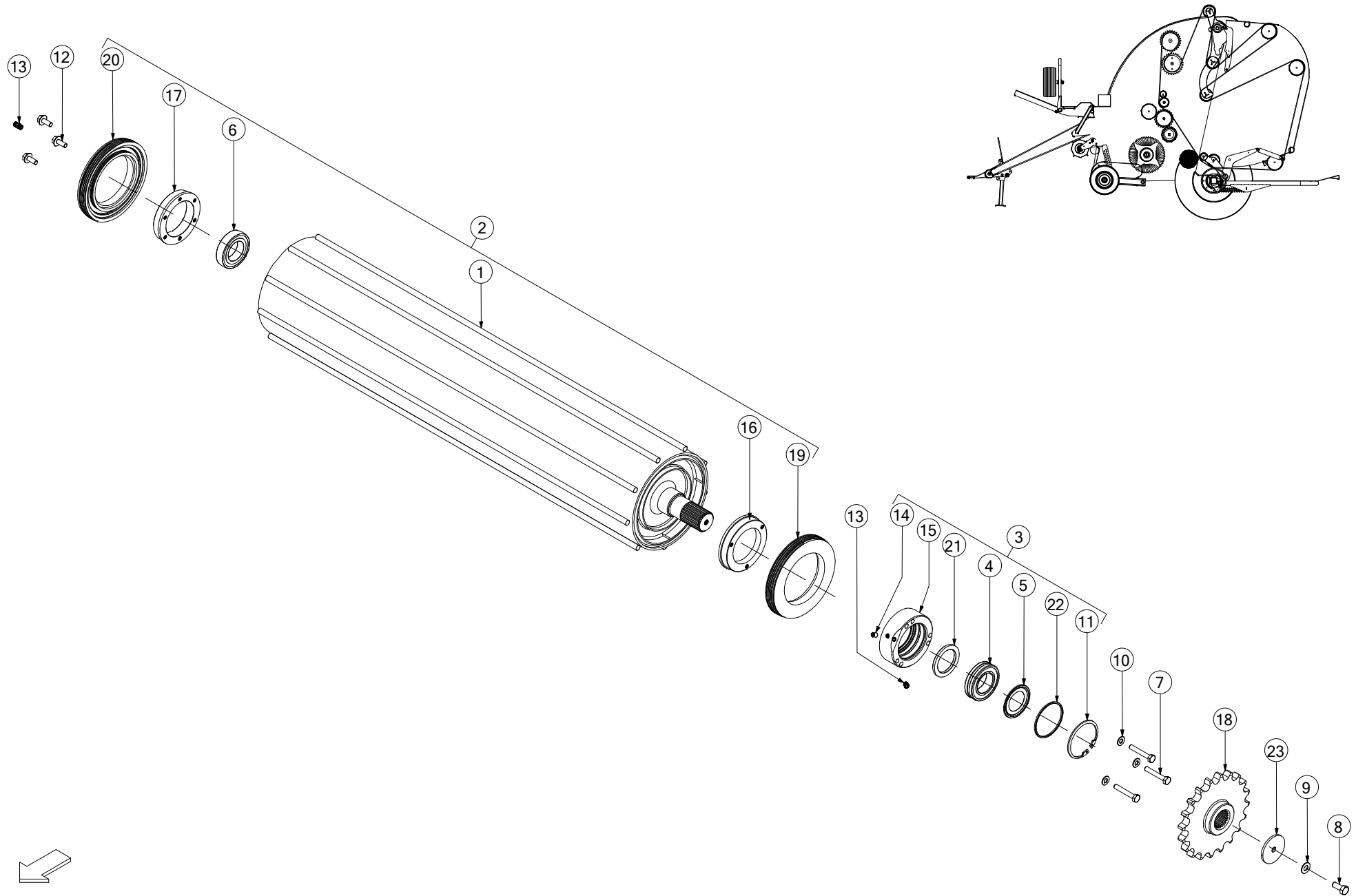
Bottom pressed roller (643)



No. Part No	Description	Qty
1 ARC00338 <i>(REPLACES ARC00029)</i>	ROLLER STD SHAFT HD WITH CLEATS	1
2 ARC00344 <i>(REPLACES ARC00030)</i>	HD ROLLER C/W ROD IRON V660	1
3 ART00293	BEARING HOUSING 1726210 ASY	1
4 CBR00083	BEARING 1726210-2RS RADIAL	2
5 CFA00028	BOLT M10X65 Z/P	3
6 CFA00251	WASHER SKM10	3
7 CFA00401	NUT M30X2 FINE THREAD	1
8 CFA00520	SETSCREW M10X25 FLANGED ZP	3
9 CFA00549	GREASE FITTING 6MM X 1/8	2
10 CMH00507	BUSH 39X56X33 TAPERED COLLET	1
11 CMH00510	BUSH 50X68X12.5 STEP	1
12 CMH00696	FLANGE 90X140X25 MACHINED	1
13 CMH00905	BUSH 90X135X46 BEARING HOUSING	1
14 CMH00906 <i>REPLACES CMH01363 (50 ID X 18)</i>	BEARING ROLLER SLEEVE 50 IDX21	1
15 CMH01187	FLANGE 90X145X25 3 HOLE	1
16 CPL00052 <i>CPL00052 & CPL00053 SHOULD BE REPLACED AS A PAIR</i>	NYLON SEAL ROLLER DRIVE SIDE	1
17 CPL00053 <i>CPL00052 & CPL00053 SHOULD BE REPLACED AS A PAIR</i>	NYLON SEAL ROLLER NON DRIVE SIDE	1
18 CSE00099	SEAL OIL 58X80X8	1
19 ART00081	1 1/4 PITCH 17 T SPROCKET	1

No. Part No	Description	Qty
-------------	-------------	-----

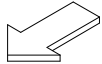
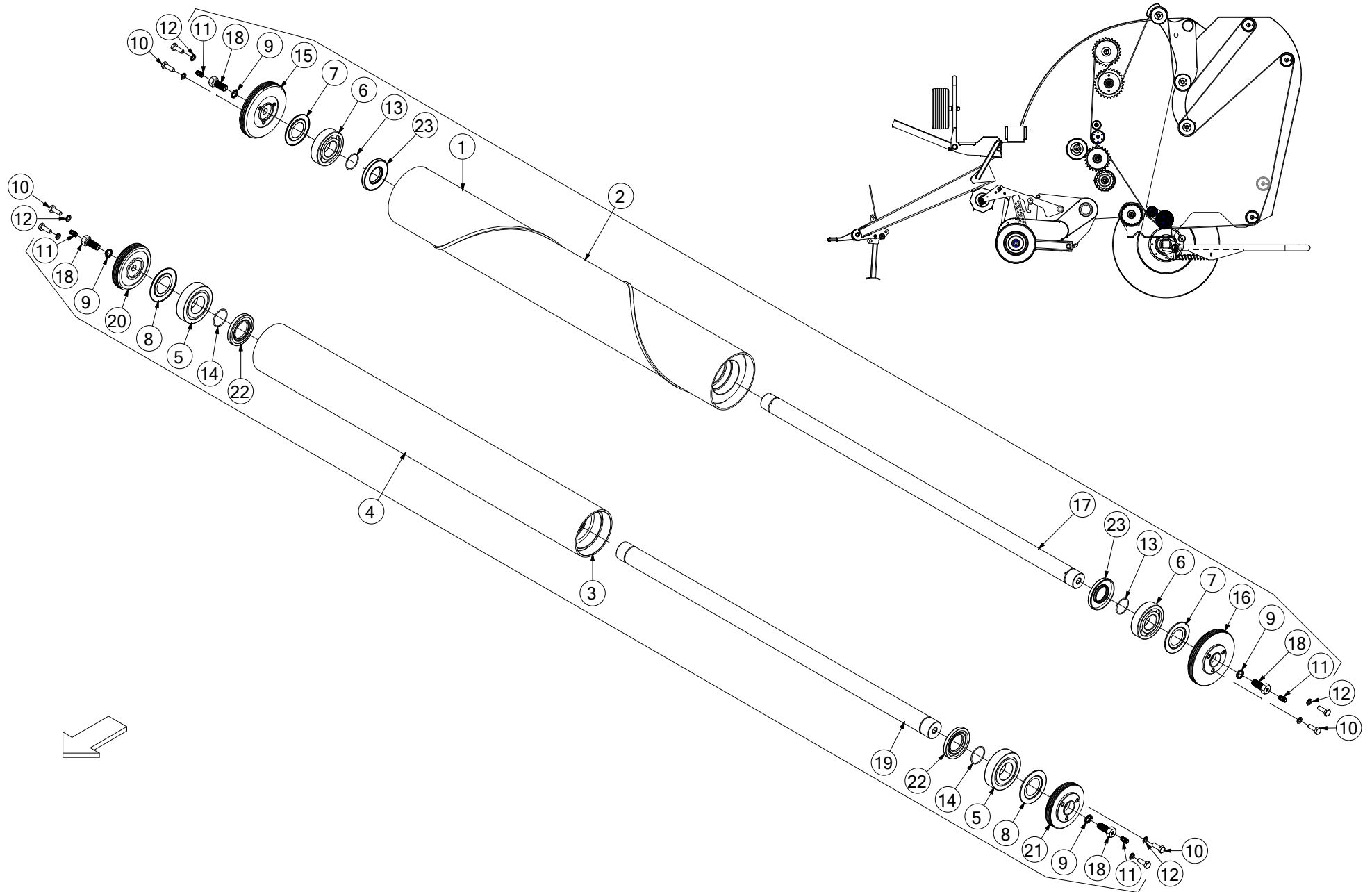
Slatted roller (641)



No. Part No	Description	Qty
1 ARC00334	KIT NO 1 ROLLER ROD V6 SPARE PARTS	1
<i>UP TO SERIAL NO 800199. THIS KIT INCLUDES ITEMS 18,19 & 20.</i>		
1 ARC00279	STARTER ROLLER ASM V6 FULL RND	1
<i>FROM SERIAL NO 800200</i>		
1 ARC00402	HALF ROUND ROD STARTER ROLLER ASSY V6	1
<i>ALTERNATIVE TO ARC00279 FOR STONEY CROPS</i>		
2 ARC00302	STARTER ROLLER COMP ASSY V6	1
<i>FROM SERIAL NO 800200</i>		
3 ART00051	BEARING ROLLER COMP ASSY	1
4 CBR00060	BEARING SPHERICAL SKF 2210CC	1
5 CBR00061	NILOS-RING 6210AV	1
6 CBR00083	BEARING 1726210-2RS RADIAL	1
7 CFA00028	BOLT M10X65 Z/P	3
8 CFA00032	SETSCREW M12X30 Z/P	1
9 CFA00250	WASHER SKM12	1
10 CFA00251	WASHER SKM10	3
11 CFA00452	CIRCLIP 95MM INTERNAL	1
12 CFA00520	SETSCREW M10X25 FLD ZP	3
13 CFA00549	GREASE FITTING 6MM X 1/8"	2
14 CFA00559	GRUBSCREW M10X12	1
15 CMH00511	BUSH 90X135X46 BEARING HOUSING	1
16 CMH00696	FLANGE 90X140X25 MACHINED	1
17 CMH00697	FLANGE 90X145X25 6 HOLE	1
18 CMH00708	SPROCKET 1 1/4" PITCH 20T	1
<i>UP TO SERIAL NO 800199</i>		
18 CMH01324	SPROCKET 1 1/4" PITCH 20T	1
<i>FROM SERIAL NO 800200</i>		
19 CPL00052	NYLON SEAL ROLLER DRIVE SIDE	1
<i>UP TO SERIAL NO 800199</i>		
19 CPL00108	NYLON SEAL ROLLER DRIVE SIDE LARGE	1
<i>FROM SERIAL NO 800200</i>		
20 CPL00053	NYLON SEAL ROLLER NON DRIVE SIDE	1
<i>UP TO SERIAL NO 800199</i>		
20 CPL00107	NYLON SEAL ROLLER NON DRIVE SIDE LARGE	1
<i>FROM SERIAL NO 800200</i>		
21 CSE00099	SEAL OIL 58X80X8	1
22 CZC02063	3MM L BEARING RETAINER RING	1
23 CZE00115	BALE SPLITTER WASHER	1

No. Part No	Description	Qty
-------------	-------------	-----

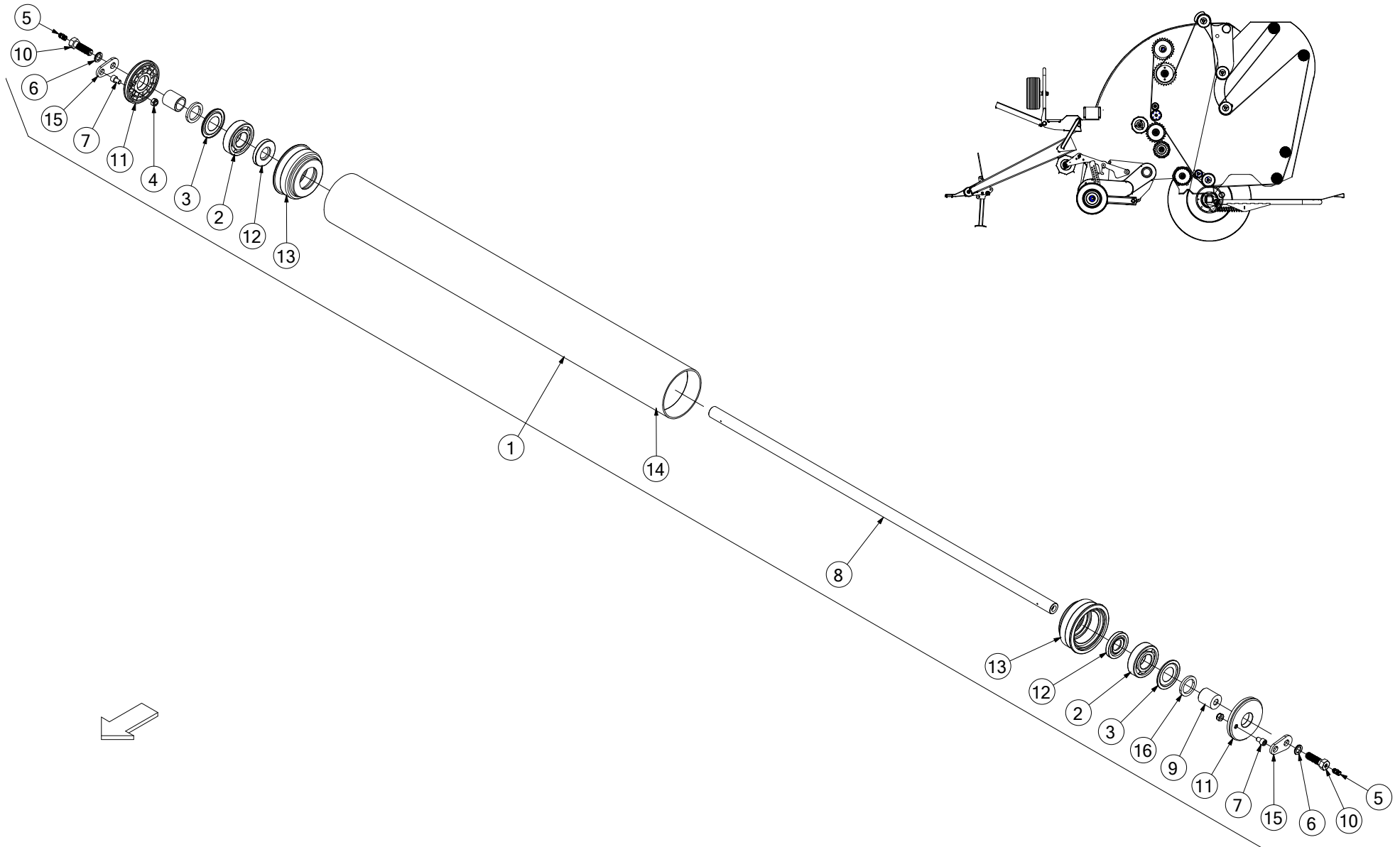
Lower rear door rollers (1026)



No.	Part No	Description	Qty
1	ARC00199	ROLLER WELD ASSY BELT BALER	1
2	ARC00200	ROLLER COMP ASSY BELT BALER <i>EXCLUDES ITEMS 10 & 12 (ALSO ORDER 2x CFA00590 FOR V6/VARIO MACHINES PRIOR TO SERIAL No 803401/900340)</i>	1
3	ARC00447	VAR LOWER REAR DOOR SMALL ROLLER <i>USED ON V6 UP TO SERIAL No 807999 & ON FUSION VARIO UP TO SERIAL No 900763</i>	1
3	ARC00478	LOWER DOOR ROLLER VARIABLE CHAMBER <i>USED ON V6 FROM SERIAL No 808000 & ON FUSION VARIO FROM SERIAL No 900764</i>	1
4	ACH02032	ROLLER ASSY VAR BALER <i>USED ON V6/VARIO UP TO SERIAL No 807999/900763 (ALSO ORDER 2x CFA00590) EXCLUDES ITEMS 10 & 12</i>	1
4	ARC00479	LOWER DOOR ROLLER VARI COMP ASSY <i>USED ON V6/VARIO FROM SERIAL No 808000/900764 (ALSO ORDER 2x CFA00590) EXCLUDES ITEMS 10 & 12</i>	1
5	CBR00253	BEARING 6309 2RS <i>USED ON V6 UP TO SERIAL No 807999 & ON FUSION VARIO UP TO SERIAL No 900763</i>	2
5	CBR00113	BEARING 6310-2RS1 SKF EXPLORER <i>USED ON V6 FROM SERIAL No 808000 & ON FUSION VARIO FROM SERIAL No 900764</i>	2
6	CBR00253	BEARING 6309 2RS	2
7	CBR00281	NILOS RING 6309 AV	2
8	CBR00281	NILOS RING 6309 AV <i>USED ON V6 UP TO SERIAL No 807999 & ON FUSION VARIO UP TO SERIAL No 900763</i>	2
8	CBR00365	NILOS-RING 6310AV <i>USED ON V6 FROM SERIAL No 808000 & ON FUSION VARIO FROM SERIAL No 900764</i>	2
9	CFA00142	WASHER SPRING 16MM Z/P	4
10	CFA00230	SETSCREW M10X30 Z/P GRADE 12.9	12
11	CFA00590	GREASE NIPPLE 1/8 BSP ST <i>ORDER WITH ARC00200 OR ARC00479 FOR NON GREASING V6/VARIO MACHINES PRIOR TO SERIAL No 803401/900340</i>	4
11	CFA00549	GREASE FITTING 6MM X 1/8" M/M <i>USED FROM SERIAL No 803401/900340 (V6/VARIO - GREASING)</i>	4
12	CFA00798	WASHER M10 NORDLOC	12
13	CFA02399	SNAP RING 45MM DIN7993 <i>USED ON V6 FROM SERIAL No 808266 & ON FUSION VARIO FROM SERIAL No 900789</i>	2
14	CFA02400	SNAP RING 50MM DIN7993 <i>USED ON V6 FROM SERIAL No 808266 & ON FUSION VARIO FROM SERIAL No 900789</i>	2
15	CMH02014	SEALING DISC V BALER	1
16	CMH02015	SEALING DISC V BALER	1
17	CMH02029	SHAFT VAR BALER	1
18	CFA00229	SETSCREW M16X35 Z/P <i>USED UP TO SERIAL No 803400/900339 (V6/VARIO - NON GREASING)</i>	4
18	CMH02754	BOLT M16 X 40 GREASING BOLT <i>USED FROM SERIAL No 803401/900340 (V6/VARIO - GREASING)</i>	4
19	CMH02029	SHAFT VAR BALER <i>USED ON V6 UP TO SERIAL No 807999 & ON FUSION VARIO UP TO SERIAL No 900763</i>	1
19	CMH02929	SHAFT 50X1182 VAR BALER <i>USED ON V6 FROM SERIAL No 808000 & ON FUSION VARIO FROM SERIAL No 900764</i>	1
20	CMH02008	SEALING DISC V BALER <i>USED ON V6 UP TO SERIAL No 807999 & ON FUSION VARIO UP TO SERIAL No 900763</i>	1
20	CMH02930	ROLLER SEALING DISC VAR BALER RIGHT SIDE <i>USED ON V6 FROM SERIAL No 808000 & ON FUSION VARIO FROM SERIAL No 900764</i>	1
21	CMH02009	SEALING DISC V BALER <i>USED ON V6 UP TO SERIAL No 807999 & ON FUSION VARIO UP TO SERIAL No 900763</i>	1
21	CMH02931	ROLLER SEALING DISC VAR BALER LEFT SIDE <i>USED ON V6 FROM SERIAL No 808000 & ON FUSION VARIO FROM SERIAL No 900764</i>	1
22	CSE00642	GREASE SEAL 45X90X10 <i>USED ON V6 FROM SERIAL No 803401 UP TO 807999 & ON FUSION VARIO FROM SERIAL No 900340 UP TO 900763</i>	2

No.	Part No	Description	Qty
22	CSE00133	RADAIL SEAL 50X90X10 <i>USED ON V6 FROM SERIAL No 808000 & ON FUSION VARIO FROM SERIAL No 900764</i>	2
23	CSE00642	GREASE SEAL 45X90X10 <i>USED FROM SERIAL No 803401/900340 (V6/VARIO - GREASING)</i>	2

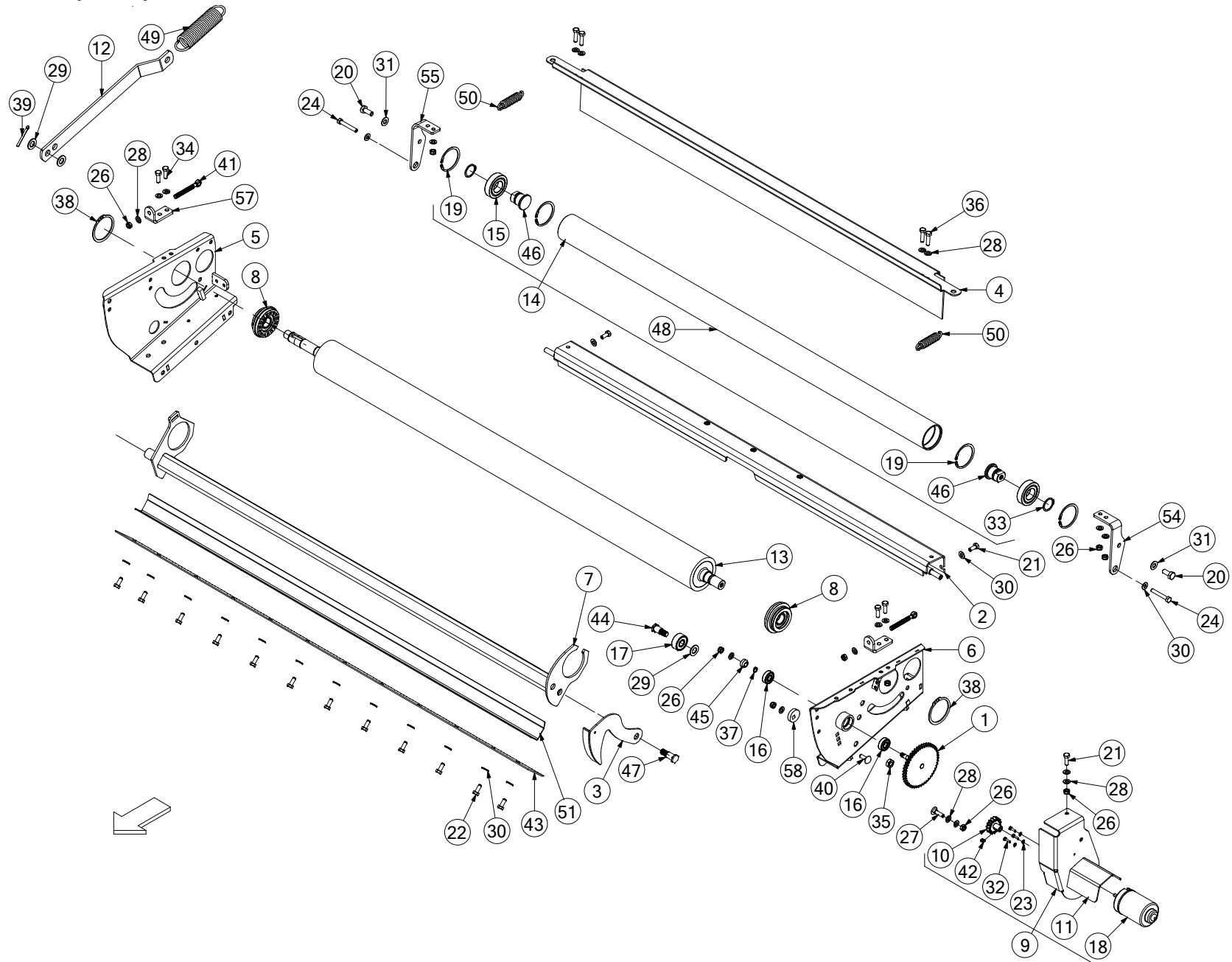
Rear door rollers (859)



No.	Part No	Description	Qty
1	ART00339	ROLLER BELT BALER	1
<i>EXCLUDES ITEMS 6 & 15 (ALSO ORDER 2x CFA00590 FOR V6/VARIO MACHINES PRIOR TO SERIAL No 803401/900340)</i>			
2	CBR00286	6308 2RS BEARING	2
3	CBR00332	NILOS RING 6308 AV	2
<i>USED FROM SERIAL No 803401/900340 (V6/VARIO - GREASING)</i>			
4	CFA00123	NUT M10 NYLOC	2
5	CFA00590	GREASE NIPPLE 1/8 BSP ST	2
<i>ORDER WITH ART00339 FOR NON GREASING V6/VARIO MACHINES PRIOR TO SERIAL No 803401/900340</i>			
5	CFA00549	GREASE FITTING 6MM X 1/8" M/M	2
<i>USED FROM SERIAL No 803401/900340 (V6/VARIO - GREASING)</i>			
6	CFA00783	WASHER NL16 NORD-LOCK	2
7	CFA00951	SETSCREW M10X16 SOC CAP Z/P	2
8	CMH01264	SHAFT 30X1234	1
9	CMH03110	IDLE ROLLER INSERT 44.5X46.5 STEPPED	2
<i>REPLACES CMH02519</i>			
10	CFA02290	BOLT M16 X 60 Z/P DIN 931 GRADE 12.9	2
<i>USED UP TO SERIAL No 803400/900339 (V6/VARIO - NON GREASING)</i>			
10	CMH02753	BOLT M16 X 55 GREASING BOLT	2
<i>USED FROM SERIAL No 803401/900340 (V6/VARIO - GREASING)</i>			
11	CPL00120	V6 ROLLER END CAP	2
12	CSE00644	GREASE SEAL 30X72X10	2
<i>USED FROM SERIAL No 803401/900340 (V6/VARIO - GREASING)</i>			
13	CTP00115	BEARING HOUSING ROLLER END	2
14	CXT00550	TUBE 139.7X5.0X1224 S355J2H	1
15	CZF06296	6MM L WASHER 17X40 V6	2
16	CZC04620	WASHER 40X55X3 V6 IDLE ROLLER	2
<i>USED UP TO SERIAL No 803400/900339 (V6/VARIO - NON GREASING)</i>			
16	CZF07718	6MM L WASHER V6 IDLE ROLLER	2
<i>USED FROM SERIAL No 803401/900340 (V6/VARIO - GREASING)</i>			

No.	Part No	Description	Qty
-----	---------	-------------	-----

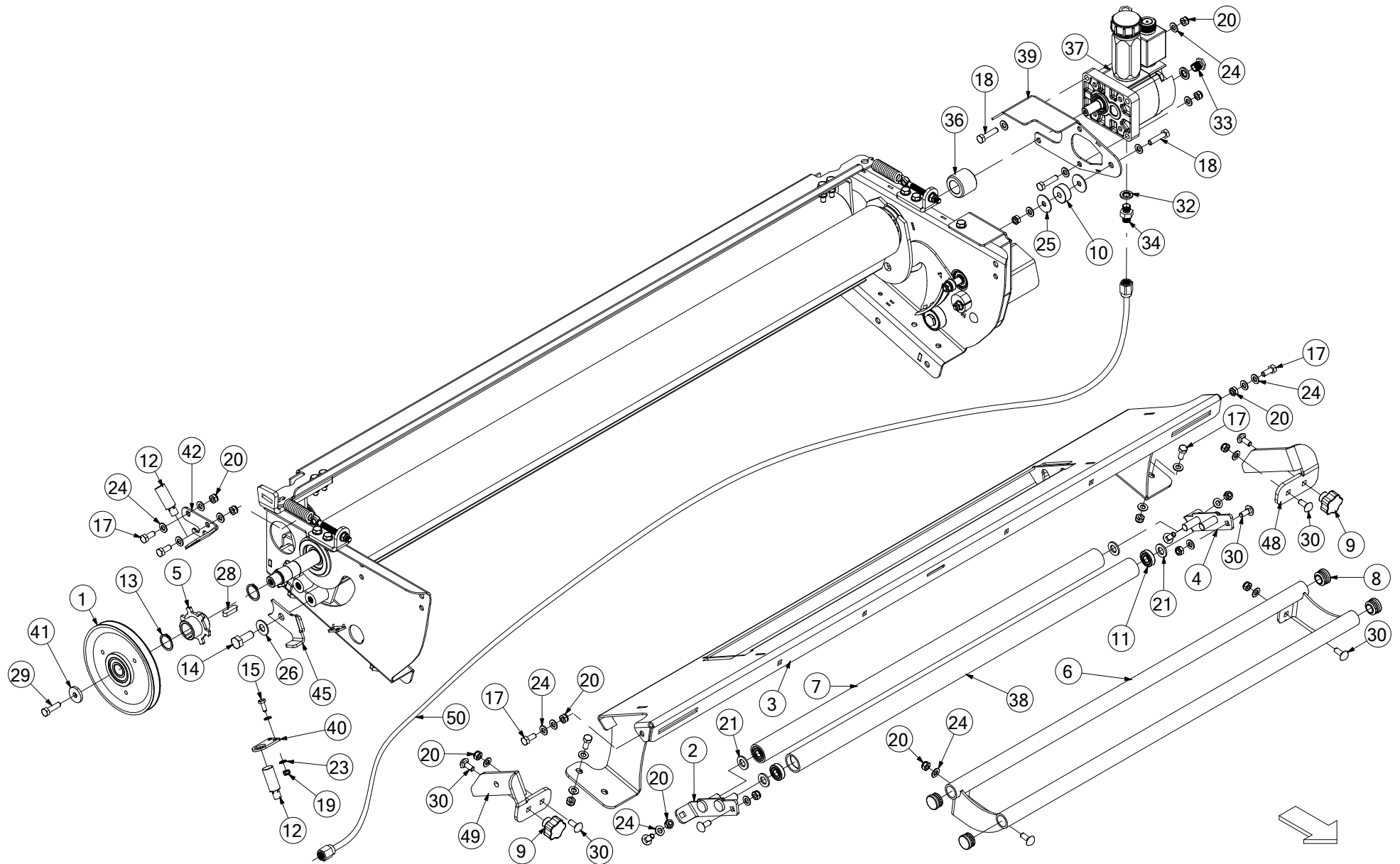
Netter unit 1 (1123)



No.	Part No	Description	Qty
1	ACH00279	PLATEWHEEL ASSY. NET UNIT	1
2	ANT00185	NET KNIFE CHANNEL GUARD	1
3	ACH00369	NET RELEASE UNIT ASSY.	1
3a	CST00920	BILL HOOK TRIPPED SIGNAL DECAL	1
4	ACH03016	1300MM NETTER ROLLER COVER ASSY	1
5	ANT00188	WIDE NETTER SIDE WELD ASM RH	1
6	ANT00189	WIDE NETTER SIDE WELD ASSEM LHS	1
7	ANT00186	KNIFE HOLDER DIRECT FEED WELD (1300)	1
8	ANT00079	NET KNIFE PIVOT BUSH C/W BEARING	2
9	ANT00117	MOTOR ASSY NET UNIT F3 PLUS	1
<i>INCLUDES ITEMS 10, 11, 18, 23, 32 & 42</i>			
10	ANT00139	10T MOD 2.5 SPUR GEAR NETTER	1
11	ANT00120	NETCUT MOTOR MOUNTING BRACKET	1
12	CZF08396	6MM NETTER PULL ARM	1
13	ARC00443	1350MM DRIVE ROLLER WIDE NET UNIT	1
<i>ALSO ORDER 2x NET KNIFE PIVOT BUSH C/W BEARING ANT00079 (ITEM 8)</i>			
14	ARC00444	ROLLER NET UNIT BACK (1300MM)	1
15	CBR00024	BEARING 62062RS	2
16	CBR00067	BEARING 6201	2
17	CBR00081	BEARING CAM INA LR 5202 NPPU	1
<i>REPLACES CBR00273</i>			
18	CEL00991	MOTOR 12VOLT 2000RPM	1
19	CFA00002	CIRCLIP 62MM INTERNAL DIN 472	4
20	CFA00024	SETSCREW M10X25 Z/P	2
21	CFA00052	SETSCREW M8X20 Z/P	4
22	CFA00429	SCREW M8X20 BTN HEAD SOC HX ZP	12
23	CFA00083	WASHER FLAT 4MM Z/P	3
24	CFA00108	BOLT M8X55 Z/P	2
26	CFA00132	NUT M8 NYLOC Z/P	16
27	CFA00506	SETSCREW M8X20 CUPHEAD SQ ZP	2
28	CFA00147	WASHER FLAT 8MM Z/P	28
29	CFA00222	WASHER FLAT 14MM Z/P	3
30	CFA00249	WASHER SKM8	17
31	CFA00251	WASHER SKM10	2
32	CFA00391	SETSCREW M4X16 Z/P	3
33	CFA00402	CIRCLIP 30MM EXTERNAL	2
34	CFA00407	BOLT M8X25 Z/P	4
35	CFA00446	NUT M12 HEXAGON LOCK/HALF NUT	1
36	CFA00102	SETSCREW M8X25 Z/P	5
37	CFA00499	CIRCLIP 10MM EXTERNAL	1
38	CFA00501	CIRCLIP 65MM EXTERNAL	2
39	CFA00556	SPLIT PIN 6X50 Z/P	1
40	CFA00849	BOLT M8X30 CUPHEAD SQ Z/P	1
41	CFA00887	EYE BOLT M8X80	2
42	CFA01119	GRUBSCREW M5X6MM	2
43	CKN00024	NET KNIFE 1300MM (NEW TYPE)	1
44	CMH00672	BOLT SHOULDER 3/4" H	1
45	CMH00705	BUSH 10X25X10 NYLON	1
46	CMH01253	SHAFT STUB FOR ARC00205	2

No.	Part No	Description	Qty
47	CMH02869	THREADED 15MM SHANK BOLT W/T STEP	1
48	CMH02859	ROLLER NET UNIT 70X61X1310	1
49	CSG00226	SPRING EXT 4.47X37.5X176X26	1
50	CSG00231	SPRING EXT 3.66X20X80X15 B/C	2
51	CZB00385	1.5MM L KNIFE GUARD PEICE (1300MM)	1
54	CZE00210	5MM L NET UNIT BACK ROLLER BRCKT	1
55	CZE00211	5MM L NET UNIT BACK ROLLER BRCKT	1
57	CZF05677	6MM L SPRING BRACKET NET UNIT	2
58	CZJ00173	15MM L NET UNIT STOPPER PART	1

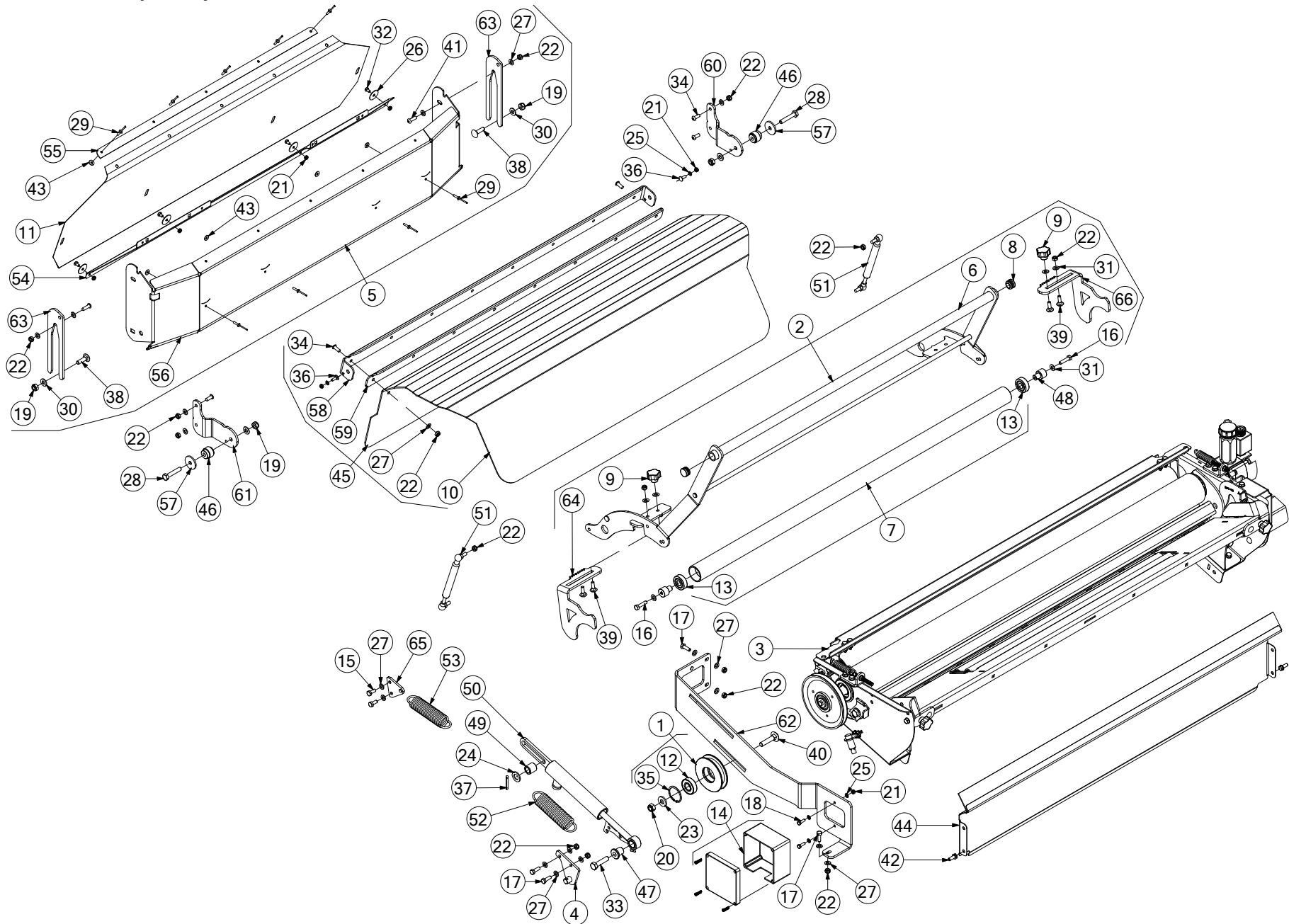
Netter unit 2 (1124)



No.	Part No	Description	Qty
1	ANT00092	VARIO NET PULLEY WHEEL ASSEM 160 DIA <i>INCLUDES SEALED SPRAG CLUTCH BEARING</i>	1
2	ANT00131	FUNNEL ROLLER AXLE WELD ASSEM	1
3	ACH03018	FUNNEL PLATE WELD ASSEM (1300MM)	1
4	ANT00146	FUNNEL ROLLER AXLE WELD ASSEM (DS)	1
5	ANT00147	NET PULSE SENSOR WHEEL WELD ASSEM	1
6	ANT00143	DIRECT NET FEED CRADLE WELD VARIO <i>USED ON FUSION VARIO ONLY</i>	1
6	ANT00178	DIRECT NET FEED CRADLE WELD V6	1
7	ARC00365	NET ROLL GUIDE ROLLER ASSEM <i>INCLUDES ITEMS 11 & 38</i>	2
8	CBC00157	CAP PLASTIC INSERT 22.5MM	4
9	CBC00174	M8 X38 X 28 FEMALE HAND WHEEL	2
10	CBE00067	BUFFER 30X13X8.5 SHORE 57	1
11	CBR00309	BEARING 6001-2RS	4
12	CEL00767	SENSOR M18 E2A-M18KS08-M1-C1	2
13	CFA00001	CIRCLIP 25MM EXTERNAL Z/P	2
14	CFA00032	SETSCREW M12X30 Z/P	1
15	CFA00045	SETSCREW M6X16	2
17	CFA00052	SETSCREW M8X20 Z/P	9
18	CFA00055	BOLT M8X35 Z/P	5
19	CFA00131	NUT M6 NYLOC	2
20	CFA00132	NUT M8 NYLOC Z/P	34
21	CFA00138	WASHER FLAT 12MM Z/P	4
23	CFA00144	WASHER FLAT 6MM Z/P	4
24	CFA00147	WASHER FLAT 8MM Z/P	52
25	CFA00149	WASHER MUDWING 8X31.75 OD	2
26	CFA00250	WASHER SKM12	1
28	CFA00359	KEY 8X7X30	1
29	CFA00491	SETSCREW M8X30 Z/P	5
30	CFA00506	SETSCREW M8X20 CUPHEAD SQ ZP	11
32	CHY00015	WASHER DOWTY 1/4"	2
33	CHY02006	PLUG BLANKING 1/4" MALE	1
34	CHY02010	ADAPTOR 1/4" BSP M/M	1
36	CMH01909	24X30X30 MACHINED SUPPORT SLEEVE	1
37	CMT00336	PUMP ASSY COMBINED RELIEF VALVE	1
37a	CVA00408	VALVE PROP RELIEF CTE SAE10 NO	1
37b	CVA00454	FILLER CAP STRETCH PUMP TMDV-1	1
37c	CFA01081	KEY 4X4X25	1
38	CXT00797	33.7X4X800 TUBE	2
39	CZC05726	3MM L STRETCH PUMP BRACE PLATE FORMED	1
40	CZC04877	3MM PROXIMITY SENSOR BOLT ON BRKT	1
41	CZD02678	4MM L WASHER PART NET UNIT	1
42	CZC05249	3MM L PROXIMITY SENSOR MOUNT PLATE	1
45	CZD04862	4MM L SENSOR BRACKET KNIFE CUT - ANT00044	1
48	CZF06947	6MM L NET ROLL STOP LHS	1
49	CZF06948	6MM L NET ROLL STOP RHS	1
50	CHY00934	PRESSURE GAUGE HOSE 1800MM	1

No.	Part No	Description	Qty
-----	---------	-------------	-----

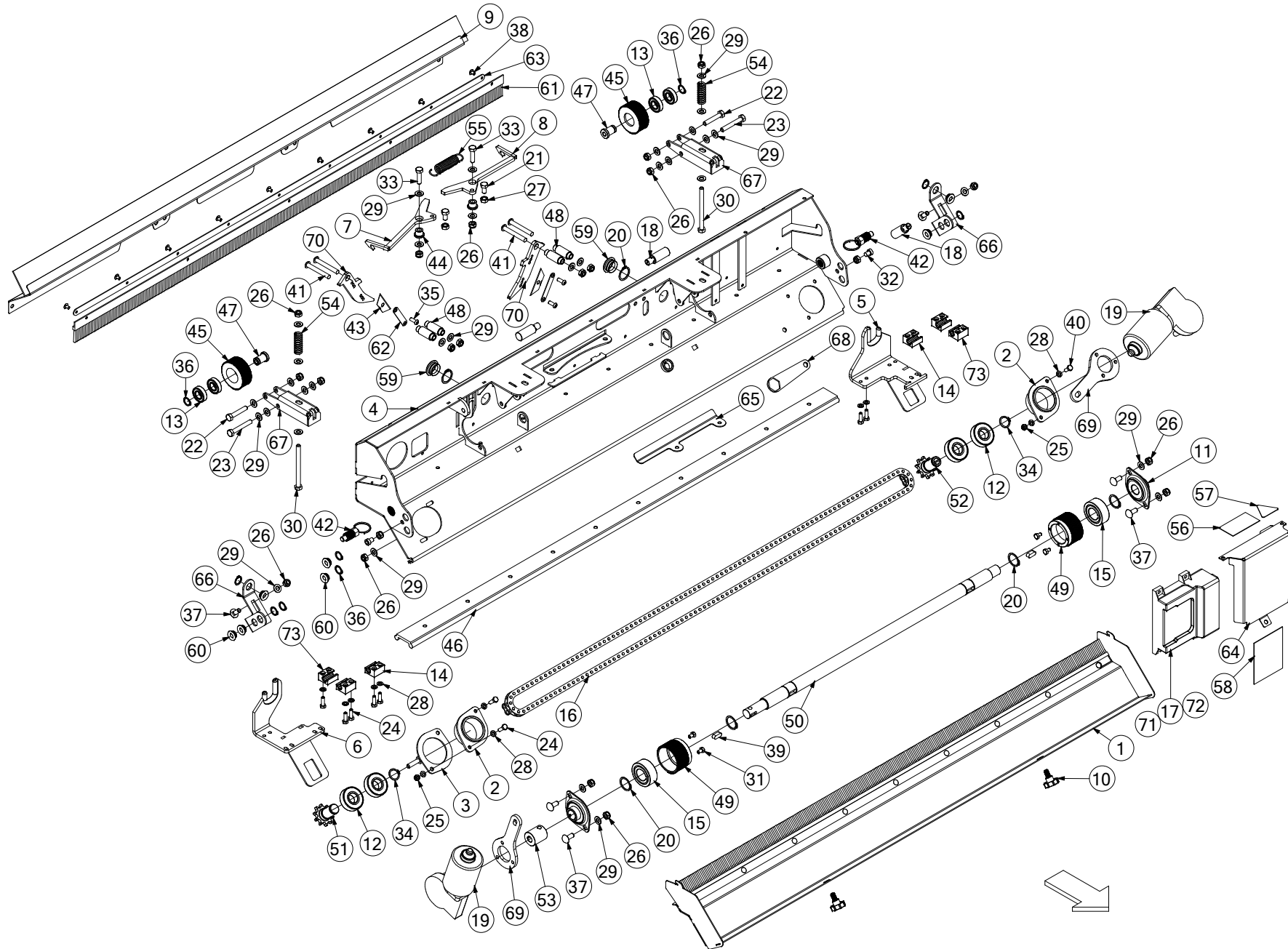
Net tensioner (1125)



No. Part No	Description	Qty
1 ANT00004	PULLEY WHEEL BELT TENSIONER ASSY <i>INCLUDES BEARING & CIRCLIP</i>	1
2 ANT00130	CLAMP BAR WELD ASSEM	1
3 ANT00184	DIRECT FEED NETTER 1300MM ROLL	1
4 ANT00195	KNIFE PULL ARM PIVOT ASSEM	1
5 ANT00197	V6 BULLBAR PLATE ASSEMBLY <i>COMPLETE BULLBAR PLATE ASSEMBLY</i>	1
6 ANT00208	NET BRAKE UNIT (ANT00184) <i>NET BRAKE BAR ASSEMBLY</i>	1
7 ARC00350	ROLLER FOR ANT00044 NETTER <i>INCLUDES BEARINGS (ITEM 13)</i>	1
8 CBC00157	CAP PLASTIC INSERT 22.5MM	2
9 CBC00174	M8 X38 X 28 FEMALE HAND WHEEL	2
10 CBE00274	3MM TRANSPARENT PVC SHEET	1
11 CBE00280	CANVAS SHEET TAPERED BULLBAR PLATE <i>USED ON FUSION VARIO ONLY</i>	1
11 CBE00362	CANVAS SHEET TAPERED BULLBAR PLATE <i>USED ON V6 BALERS ONLY</i>	1
12 CBR00020	BEARING 6204 2RS	1
13 CBR00283	BEARING 6302 2RS	2
14 CEL00883	JUNCTION BOX ABS PLASTIC GREY (120X120X80)	1
15 CFA00052	SETSCREW M8X20 Z/P	2
16 CFA00055	BOLT M8X35 Z/P	2
17 CFA00102	SETSCREW M8X25 Z/P	5
18 CFA00115	SETSCREW M6X20 Z/P	2
19 CFA00123	NUT M10 NYLOC	4
20 CFA00124	NUT M12 NYLOC	1
21 CFA00131	NUT M6 NYLOC	8
22 CFA00132	NUT M8 NYLOC Z/P	23
23 CFA00139	WASHER FLAT 12MM H/D Z/P	1
24 CFA00140	WASHER FLAT 16MM Z/P	1
25 CFA00144	WASHER FLAT 6MM Z/P	6
26 CFA00145	WASHER MUDWING M6 32MM OD	4
27 CFA00147	WASHER FLAT 8MM Z/P	28
28 CFA00156	BOLT M10X55	2
29 CFA00198	POP RIVET 4.8X 14MM Z/P	9
30 CFA00201	WASHER FLAT 10 MM Z/P	6
31 CFA00249	WASHER SKM8	6
32 CFA00269	SETSCREW M6X10 Z/P	4
33 CFA00272	BOLT M12X50 Z/P	1
34 CFA00429	SETSCREW M8X20 BUTTON HEAD Z/P	12
35 CFA00458	47MM INTERNAL CIRCLIP DIN 472	1
36 CFA00468	BOLT M6 X16 CUP SQ Z/P	2
37 CFA00475	SPLIT PIN 5X40 Z/P	1
38 CFA00539	BOLT M10X35 CUP HEAD SQ Z/P	2
39 CFA00591	BOLT M8X25 CUP SQ Z/P	4
40 CFA00670	BOLT M12X55 CUP SQ Z/P	1
41 CFA00744	SETSCREW M8X25 BUTTO	2
42 CFA00766	SETSCREW M8X20 FLANGED DIN6921 Z/P	2
43 CFA01059	WASHER MUD WING M5 X 15 OD	9

No. Part No	Description	Qty
44 CGD00285	WIND GUARD V6 POWER STRETCH NETTER <i>USED ON V6 ONLY (AS SHOWN)</i>	1
44 CGD00347	WIND GUARD ASSY NET ARM <i>USED ON FUSION VARIO ONLY (NOT SHOWN)</i>	1
45 CGD00402	V6 / VARIO DIRECT FEED NETTER COVER <i>COMPLETE NETTER COVER ASSEMBLY</i>	1
46 CMH01212	BUSH 10.5X30X36 STEPPED 25	2
47 CMH01214	BUSH 12.5X20X27 STEPPED Z/P	1
48 CMH01385	BUSH 25X35 STEPPED 15	2
49 CMH02890	SPACER BUSH 25X25X15.5	1
50 CRA00652	KNIFE RESET RAM V6 VARIO	1
51 CRA00747	800N GAS STRUT ASSEM (8/19/100)	2
52 CSG00017	SPRING EXT 4.47X40.6X176X26	1
53 CSG00226	SPRING EXT 4.47X37.5X176X26	1
54 CZB02513	1.5MM L CANVAS MOUNT V6 SERIES	1
55 CZB04500	1.5MM RETAINING STRIP	1
56 CZC04906	3MM L TAPERED BULLBAR PLATE (V80)	1
57 CZD00118	4MM L CUT& TIE SPACER	2
58 CZD00265	4MM COVER PLATE	1
59 CZD04784	4MM NETTER COVER CLAMP PLATE	1
60 CZF00322	6MM L BRAKE BAR HINGE PLATE DS (EXTERNAL)	1
61 CZF00323	6MM L BRAKE BAR HINGE PLATE NDS (EXTERNAL)	1
62 CZF06586	6MM TENSIONER BRKT/BOX MOUNT	1
63 CZF07094	6MM L SPACER PLATE	2
64 CZF08389	6MM NET STOP RHS 1300MM ROLL	1
65 CZF08398	6MM L NET PULL SPRING MOUNT	1
66 CZF08416	6MM NET STOP LHS 1300MM ROLL	1

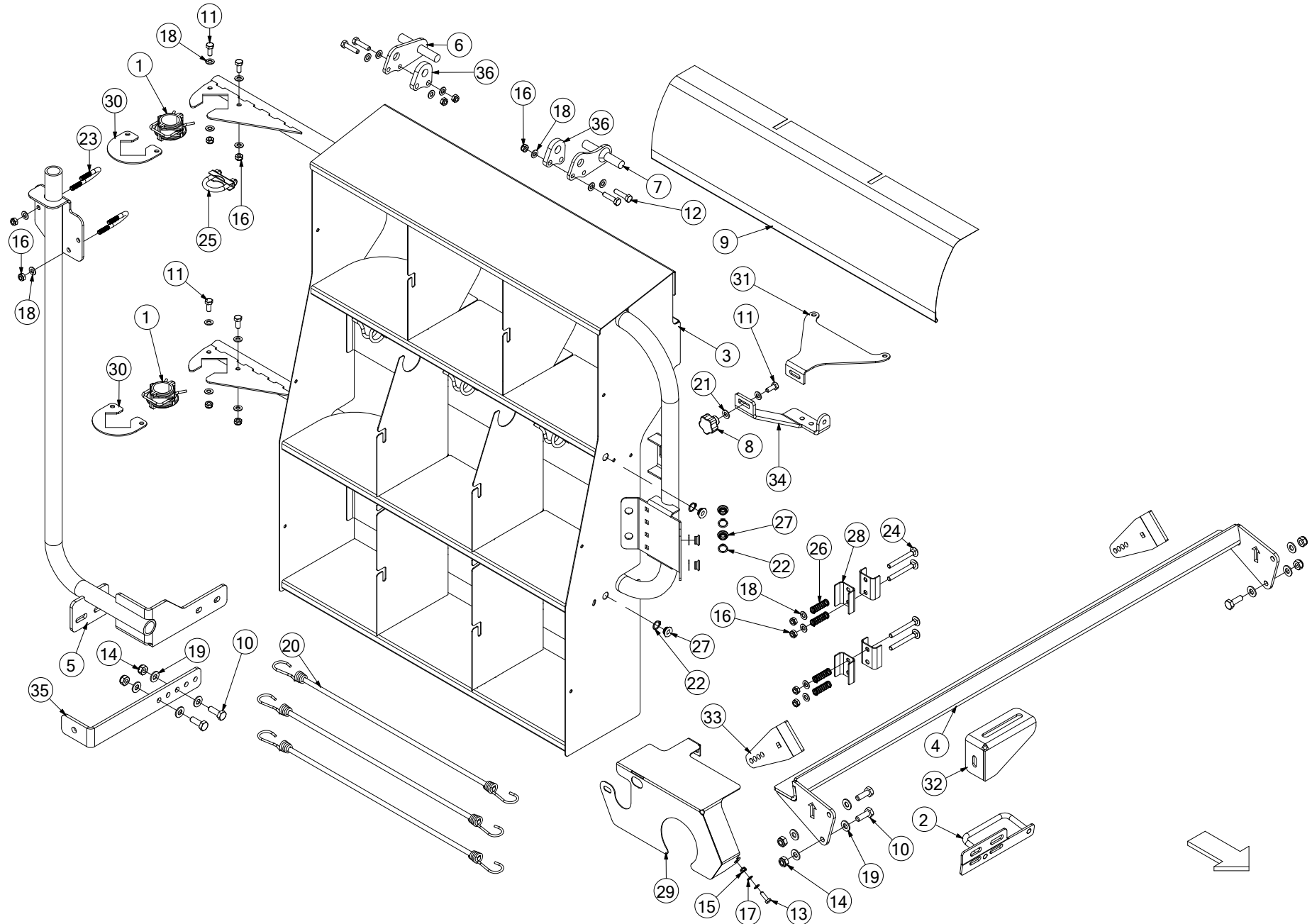
Twiner 1 [Available in selected markets only] (1034)



No.	Part No	Description	Qty
0	ANT00155	TWINE SYSTEM ASSY TWO CARRIAGE	1
1	AGD00082	DUST COVER TWINER COMPLETE	1
2	ANT00040	DOUBLE BEARING HOUSING TWINER	2
3	ANT00099	CHAIN ADJUSTER V6 SERIES TWINER	1
4	ANT00154	TWINE SYSTEM FRAME TWO CARRIAGE	1
5	ANT00156	TWINE SYSTEM CARRIAGE RT	1
6	ANT00157	TWINE SYSTEM CARRIAGE LT	1
7	UWP00279	TWINE SYSTEM HOOK KIT	1
<i>KIT INCLUDES BOTH HOOKS, ITEMS 7 & 8 PLUS ALL MOUNTING FASTENERS & SPRING (REPLACES ANT00158)</i>			
8	UWP00279	TWINE SYSTEM HOOK KIT	1
<i>KIT INCLUDES BOTH HOOKS, ITEMS 7 & 8 PLUS ALL MOUNTING FASTENERS & SPRING (REPLACES ANT00162)</i>			
9	ANT00173	TWINE SYSTEM TOP COVER	1
10	CBC00175	HAND WHEEL M8X15	2
11	CBR00004	BEARING 20MM 2BOLT P/S FLANGE	2
12	CBR00020	BEARING 6204 2RS	4
13	CBR00063	BEARING 6002 2RS	4
14	CBR00124	IGUS LINEAR TRACK BEARING ASSY	4
15	CBR00128	CSK25P-2RS TWINE SYSTEM ONLY	2
16	CCH00192	1/2" CHAIN 180 PIN INC 2 DOUBLE LINK	1
17	CEL00706	CAN MODULE HBM FUSION2 S/HU/322-5-001	1
18	CEL00767	SENSOR M18 E2A-M18KS08-M1-C1	3
19	CEL01634	TWINE MOTOR, 2500MM WITH CONNECTORS	2
20	CFA00001	CIRCLIP 25MM EXTERNAL Z/P	6
21	CFA00101	SETSCREW M8X16 Z/P	2
22	CFA00106	BOLT M8X45 Z/P	2
23	CFA00108	BOLT M8X55 Z/P	2
24	CFA00115	SETSCREW M6X20 Z/P	14
25	CFA00131	NUT M6 NYLOC	4
26	CFA00132	NUT M8 NYLOC Z/P	21
27	CFA00133	NUT M8 Z/P	2
28	CFA00144	WASHER FLAT 6MM Z/P	20
29	CFA00147	WASHER FLAT 8MM Z/P	33
30	CFA00226	BOLT M8X100 Z/P	2
31	CFA02385	BOLT SETSCREW M5X16 Z/P	8
31	CFA00296	NUT M5 STD Z/P	8
32	CFA00292	SETSCREW M8X10 SOC CAP Z/P	2
33	CFA00316	BOLT M8X30 Z/P	2
34	CFA00339	CIRCLIP 20MM EXTERNAL	2
35	CFA00427	SETSCREW M6X16 BUTTON HEAD Z/P	4
36	CFA00463	CIRCLIP 15MM EXTERNAL Z/P DIN 471	9
37	CFA00506	SETSCREW M8X20 CUPHEAD SQ Z/P	6
38	CFA00830	POP RIVET ALU DIA 4.8 - 9.5 - 11.1	18
39	CFA00912	KEY 8X7X15 DIN6885A	2
40	CFA00982	BOLT M6X16 Z/P	2
41	CFA01124	SETSCREW M8X60 BUTTON HEAD Z/P	4
42	CFA02325	M16 INDEX PLUNGER	2
43	CKN00011	KNIFE STANLEY BLADE CUT&HOLD	4
44	CMH00742	BUSH 8X20X13 ZINC PLATED	2
45	CMH01583	BUSH 60X28X25 ROLLER TWINER V6	2

No.	Part No	Description	Qty
46	CMH01584	40MM IGUS TRACK TWINER V6	1
47	CMH01586	BUSH 20X8X27 STEPPED TWINER	2
48	CMH01587	BUSH 16X8X45 STEPPED TWINER	4
49	CMH01598	60MM BUSH TWINE DRIVE V6 SERIES	2
50	CMH01750	TWINE SYSTEM MOTOR FEED SHAFT	1
51	CMH01772	SPROCKET 1/2" 10 TOOTH STEPPED SHAFT	1
52	CMH01773	SPROCKET 1/2" 10 TOOTH STEPPED SHAFT	1
53	CMH01775	BUSH 40X12X30 MOTOR ADAPTOR	1
54	CSG00033	SPRING COMP 2.5WDX15ODX9 COIL	2
55	CSG00267	SPRING EXT 2X18.5X85X25	1
56	CST00248	DECAL WARNING DO NOT POWERWASH	1
57	CST00249	DECAL ELECTRICAL HAZARD	1
58	CST00921	FRENCH DO NOT WELD DECAL	1
59	CTP00439	EYELET TWINE GUIDE V6	2
60	CTP00494	EYELET TWINE E421 9.8MM	7
61	CTP00515	TOP BRUSH DUST COVER TWINER	2
62	CZB02609	1.5MM L KNIFE HOLDER TWINE SYSTEM	4
63	CZB02614	1.5MM L TWINE BRUSH STRIP	2
64	CZB02627	1.5MM L ECU COVER TWINER	1
65	CZB02633	1.5MM L CABLE COVER TWINER	1
66	CZC03790	3MM L GUIDE TWINER V6 SERIES	2
67	CZC03874	3MM L TWINE TENSION HANDLE V6 SERIES	2
68	CZC05330	3MM L SENSOR SPANNER V6 TWINE	1
69	CZF03725	6MM L MOTOR MOUNT TWINE SYSTEM	2
70	CZF03728	6MM L KNIFE HOLDER TWINE SYSTEM	2
71	CEL00708	POWER CABLE H-BRIDGE MODULE	1
72	CEL01617	TWINER CAN MODULE LOOM MK2	1
73	CBR00131	IGUS LINEAR FLOATING BEARING ASSY	2

Twiner 2 [Available in selected markets only] (1035)



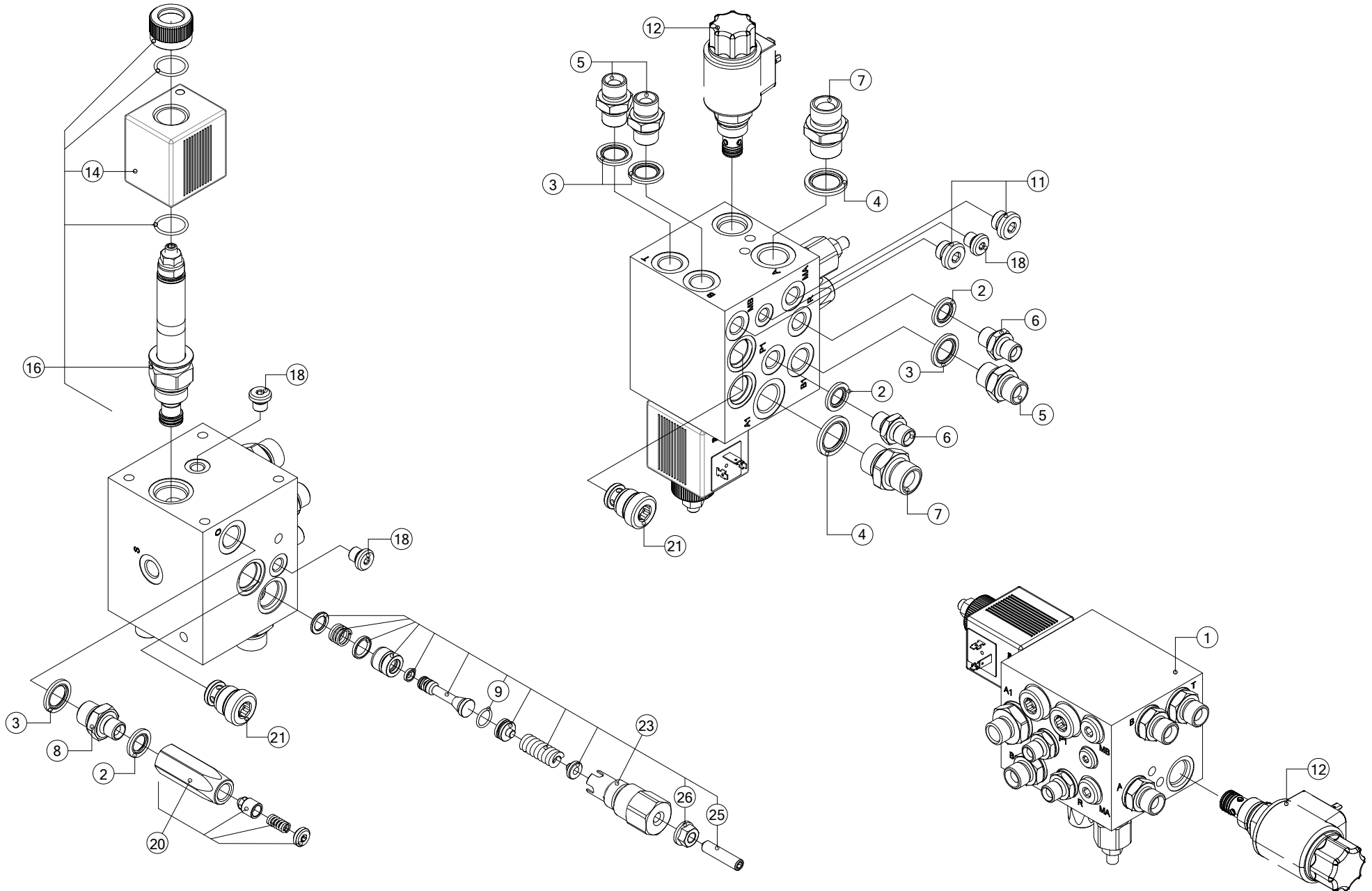
No.	Part No	Description	Qty
0	ANT00107	TWINE BOX AND ANGLE V6 SERIES	1
<i>COMPLETE ASSEMBLY OF ALL ITEMS ON PAGE</i>			
1	ALA00177	BUSHING CENTER (ASSY) REEL	2
2	ALA00900	DOOR LOCK BRACKET V6 TWINE	1
3	ANT00102	TWINE BOX V6 SERIES	1
4	ANT00103	ANGLE BAR ROLLER V6 SERIES	1
5	ANT00207	TWINER HANGING BRACKET PART	1
<i>USED ON V6740/V6750 MACHINES ONLY</i>			
6	ANT00212	DOOR PANEL BRACKET FOR TWINER	1
<i>USED ON V6740/V6750 MACHINES ONLY</i>			
7	ANT00213	DOOR PANEL FRONT BRACKET FOR TWINER	1
<i>USED ON V6740/V6750 MACHINES ONLY</i>			
8	CBC00174	M8 X38 X 28 FEMALE HAND WHEEL	1
9	CBE00285	CANVAS TWINE COVER ANT00102	1
10	CFA00025	SETSCREW M10X30	6
11	CFA00052	SETSCREW M8X20 Z/P	5
12	CFA00107	BOLT SETSCREW M8X35 Z/P	4
13	CFA00115	SETSCREW M6X20 Z/P	1
14	CFA00123	NUT M10 NYLOC	6
15	CFA00131	NUT M6 NYLOC	1
16	CFA00132	NUT M8 NYLOC Z/P	16
17	CFA00144	WASHER FLAT 6MM Z/P	2
18	CFA00147	WASHER FLAT 8MM Z/P	25
19	CFA00201	WASHER FLAT 10 MM Z/P	12
20	CFA00205	STRETCH CABLE ELASTIC	3
21	CFA00249	WASHER SKM8	1
22	CFA00463	CIRCLIP 15MM EXTERNAL Z/P DIN 471	6
23	CFA00943	U-BOLT M8X1.25X45X55 FOR 33.7 TUBE	2
<i>USED ON V6740/V6750 MACHINES ONLY</i>			
24	CFA01054	BOLT M8X70 CUPHEAD SQ Z/P	4
25	CFA02314	35MM EXHAUST CLAMP	1
26	CSG00307	SPRING COMP 1.0X14X40X8	4
27	CTP00494	EYELET TWINE E421 9.8MM	6
28	CZB02529	2MM L TWINE TENSIONER STAINLESS	4
29	CZB02613	1.5MM L ROTOR CHAIN GUARD	1
30	CZC03866	3MM L TWINE BOX V6 SERIES	2
31	CZC03867	3MM L TWINE BOX BRACKET V6 SERIES	1
32	CZD05558	DOOR BUFFER BRACKET FRONT TWINER V67 AND V89	1
33	CZF03778	6MM L ROLLER STOP BRACKET	2
34	CZF03791	6MM L TWINE BOX BRACKET	1
<i>USED ON V640/V660 MACHINES ONLY</i>			
34	CZF09167	6MM L TWINE BOX BRACKET WIDE NETTER	1
<i>USED ON V6740/V6750 MACHINES ONLY</i>			
35	CZF09163	6MM L TWINER HANGING BRACKET PART	1
<i>USED ON V6740/V6750 MACHINES ONLY</i>			
36	CZH09012	10MM L HINGE BRACKET PART V6	2
<i>USED ON V6740/V6750 MACHINES ONLY</i>			

No.	Part No	Description	Qty
-----	---------	-------------	-----

No.	Part No	Description	Qty
1	CEL00304	PRESSURE TRANSMITTER 0-250BAR M12	2
2	CHY00112	PUSH/PULL QR 1/2" BSP FEMALE	1
3	CHY00133	GAUGE PRESSURE 63 DIA FLANGE	1
4	CHY00276	STEEL PIPE ASSY COMPLETE V6 SERIES	1
5	CHY00283	ASSY STL PIPE BSP V6 SERIES DOOR RAMS	1
6	CHY00289	HOSE BELT BALER STL TO STL PIPE	1
7	CHY00290	HOSE BELT BALER DOOR RAM RT	1
8	CHY00291	HOSE BELT BALER DOOR RAM LT	1
9	CHY00294	HOSE BELT BALER VALVE TO TRACTOR	3
10	CHY00295	HOSE BELT BALER NET KNIFE	1
11	CHY00296	HOSE BELT BALER NET ROLLER	1
12	CHY00297	HOSE CHOPPER UNIT PICKUP REEL	2
13	CHY00300	HOSE CHOPPER UNIT KNIFES DOWN	2
14	CHY00301	HOSE CHOPPER UNIT KNIFES UP	2
15	CHY00302	HOSE BELT BALER REEL VALVE TO STL PIPE	4
16	CHY00303	HOSE BELT BALER REEL VALVE TO TRACTOR	2
17	CHY00316	HOSE CHOPPER UNIT FLOOR DOWN	2
18	CHY00317	HOSE CHOPPER UNIT FLOOR UP	2
19	CHY00997	SELECTABLE KNIFE RAM HOSE	1
<i>USED ON SELECTABLE KNIFE MODELS ONLY</i>			
20	CHY00998	SELECTABLE KNIFE RAM HOSE	1
<i>USED ON SELECTABLE KNIFE MODELS ONLY</i>			
21	CHY00999	1/4 T-PIECE TO CVA00365 INLET PORT	1
<i>USED ON SELECTABLE KNIFE MODELS ONLY</i>			
22	CHY01000	TAP CVA00365 TO CRA00185 KNIVES DOWN	1
<i>USED ON SELECTABLE KNIFE MODELS ONLY</i>			
23	CHY01001	TAP CVA00365 TO CRA00637 KNIVES DOWN	1
<i>USED ON SELECTABLE KNIFE MODELS ONLY</i>			
24	CHY01002	STEEL PIPING TO CRA00637 KNIVES UP	1
<i>USED ON SELECTABLE KNIFE MODELS ONLY</i>			
26	CHY01194	HA04-1590WJ-F0490N-F0400N-090	1
27	CHY01195	HA04-1540WJ-F0490N-F0400N-000	1
29	CHY02015	QR 1/2" MALE SHIELDED POPPET	4
30	CHY02606	PIPE ASSY HYD CHOPPER UNIT	1
31	CHY02795	HA06-1550-WJ-F0600N-F0645N-000	2
34	CHY03004	HYD HOSE V6 ST PIPES TO SAFETY VALVE	1
35	CHY03005	HYD HOSE V6 ROLLER TRIP TO STEEL PIPE	1
36	CHY03006	HOSE V6 VALVE TO ST PIPE TENSION RAM	1
37	CHY03007	HYD HOSE V6 DOOR LOCK TO VALVE	1
40	CRA00185	RAM KNIFE ACTUATION BW	2
41	CRA00186	RAM PICKUP BALER	2
42	CRA00193	RAM CHOPPER FLOOR 20X40 BW	2
43	CRA00574	KNIFE RESET RAM BELT BALER	1
<i>ROLLER RESET RAM (SHORT PISTON ROD)</i>			
44	CRA00631	DOOR OPEN RAM V6	2
44a	CSE00160	SEAL KIT FOR RAM CRA00631	1
45	CRA00637	RAM 45X20 SELECT KNIFE	2
<i>USED ON SELECTABLE KNIFE MODELS ONLY</i>			
46	CRA00652	RESET RAM V6	1
<i>KNIFE RESET RAM (LONG PISTON ROD)</i>			

No.	Part No	Description	Qty
47	CRA00712	BELT TENSION RAM V6 MKIII	2
47a	CSE00627	SEAL KIT V6 TENSION RAM INCL PISTON	1
<i>SEAL KIT FOR CRA00712</i>			
49	CVA00165	ACCUMULATOR 0.5 LITRE 25 BAR	1
50	CVA00338	VALVE CTE DOUBLE CHECK NC	4
53	CVA00361	VALVE CTRL FLOOR KNIVES 2011+	1
54	CVA00365	TAP BK3 G1/4 06 1123 1 TA-180	1
<i>USED ON SELECTABLE KNIFE MODELS ONLY</i>			
56	CVA00379	ACCUMULATOR 0.16L 75 BAR	1
56a	CHY01051	ADAPTOR 1/2"M - 3/8"F FIXED	1
56b	CHY00020	WASHER DOWTY 3/8	1
56c	CHY00053	WASHER DOWTY 1/2	1
56d	CHY02097	T PIECE 3/8 M-M-F	1
57	CVA00382	PUMP GREASE ONLY F5 BALER (BURNSIDE)	1
59	CVA00757	PROP RELIEF NC MC10T HF CHECK	1
<i>REPLACES CVA00421</i>			
59a	CVA00752	KIT AIR BLEED SCREW	1
<i>REPLACEMENT AIR BLEED SCREW KIT FOR CVA00421/CVA00757</i>			
61	CVA00602	VALVE CTE DOUBLE CHECK NO	1
63	CVA00613	VALVE 3/8 W LEVER LOCK & HOLES	1
64	CVA00619	VALVE CHECK 1/4" 30 BAR	1
65	CVA00620	VALVE CHECK VRR12	3
67	CVA00668	VALVE OVER CENTRE	1
69	CVA00687	DOOR TENSION VALVE V6 2018+	1
71	CVA00716	VALVE CHECK 1/2 2.5MM ORIFICE	1
72	CVA03100	VALVE ON/OFF 3/8" BALL TYPE	1

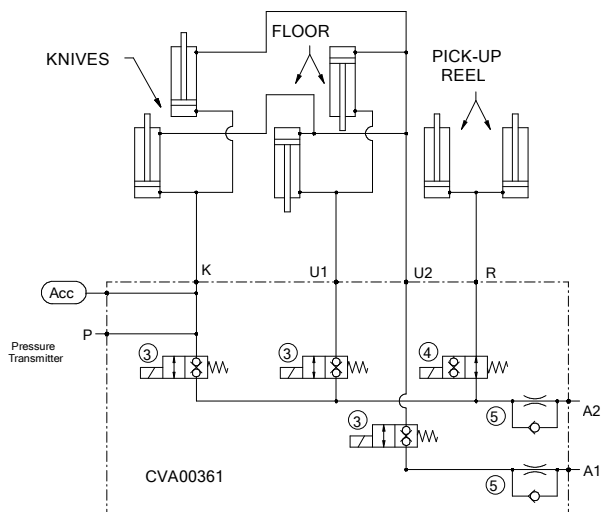
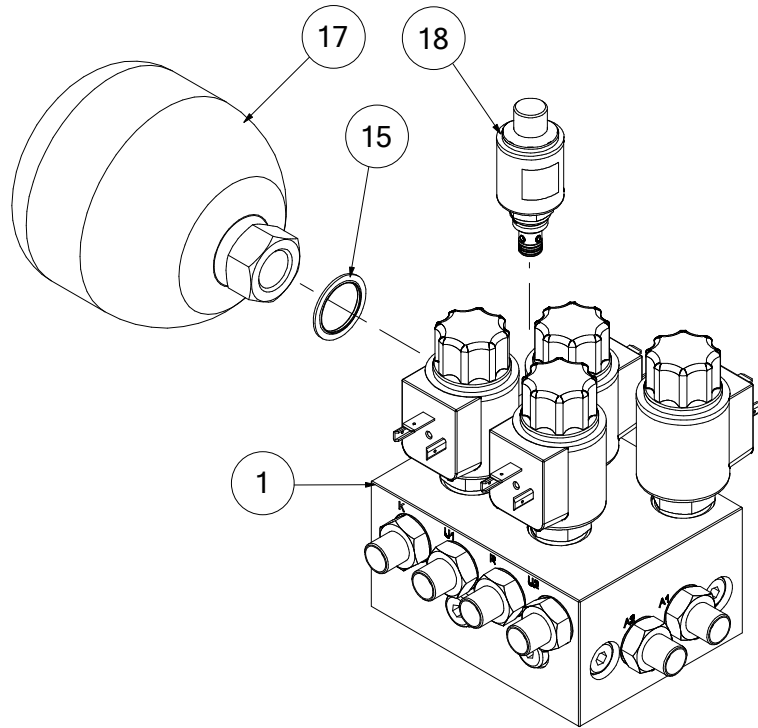
Hydraulic valve door tension (1059)



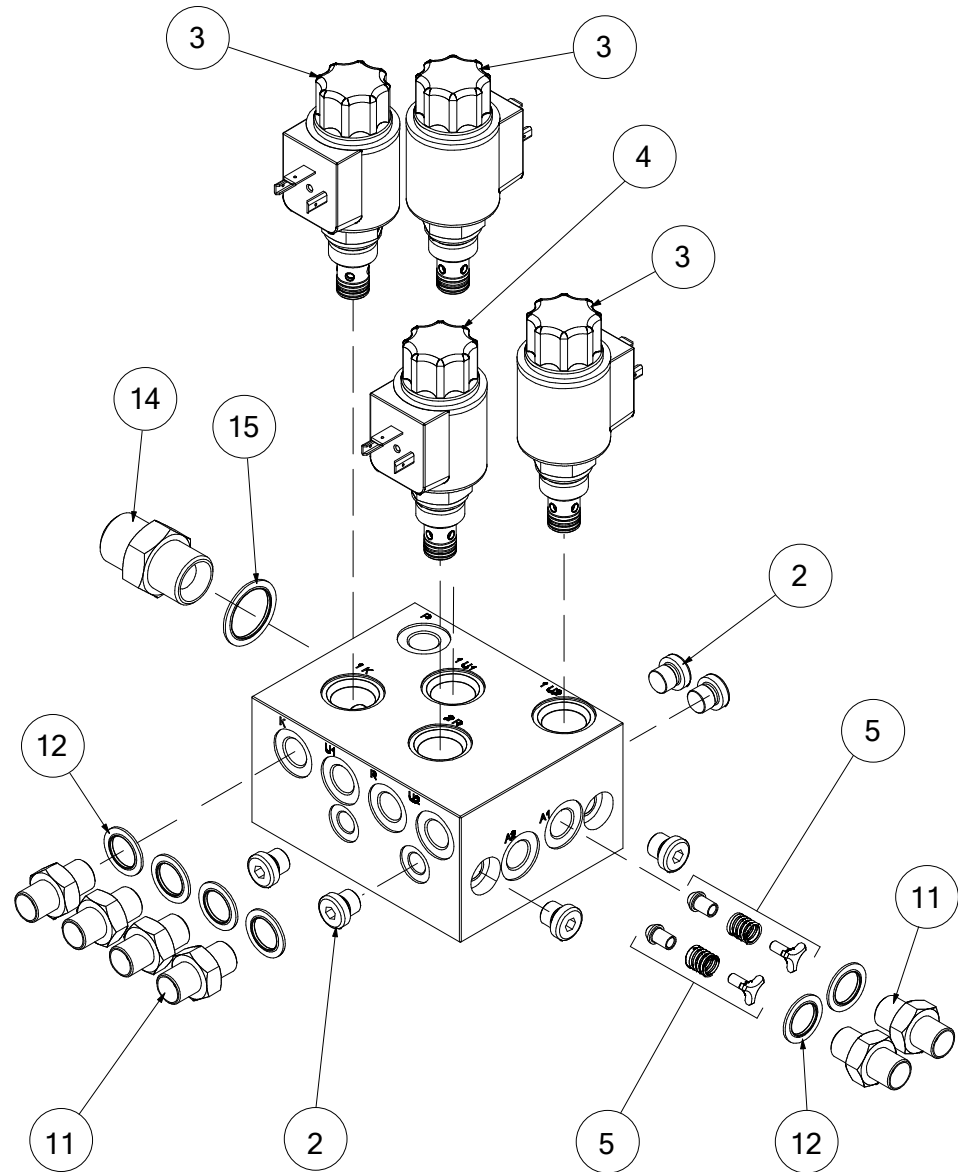
No.	Part No	Description	Qty
1	CVA00687	DOOR TENSION VALVE V6 2018+	1
<i>INCLUDES ALL ITEMS EXCEPT ITEM 12</i>			
2	CHY00015	WASHER DOWTY 1/4	3
3	CHY00020	WASHER DOWTY 3/8	4
4	CHY00053	WASHER DOWTY 1/2	2
5	CHY02002	ADAPTOR 3/8 BSP M/M	3
6	CHY02010	ADAPTOR 1/4 BSP M/M	2
7	CHY02013	ADAPTOR 1/2 BSP M/M	2
8	CHY02032	ADAPTOR 1/4 M 3/8 M	1
9	CSE00164	O-RING 70 SH NBR 15.60X1.78	1
11	CVA00176	PLUG BSP 1/4 ALLEN HD +SEAL	2
12	CVA00338	VALVE CTE DOUBLE CHECK NC	1
<i>NOT PART OF VALVE ASM - MUST BE ORDERED SEPARATELY</i>			
14	CVA00397	COIL 12 PROPORTIONAL DIN	1
16	CVA00757	PROP RELIEF NC MC10T HF CHECK	1
<i>REPLACES CVA00421</i>			
16a	CVA00752	KIT AIR BLEED SCREW	1
<i>REPLACEMENT AIR BLEED SCREW KIT FOR CVA00421/CVA00757</i>			
18	CVA00553	BLANKING CAP 1/8 (W/O-RING)	3
20	CVA00619	VALVE CHECK 1/4" 30 BAR	1
21	CVA00620	VALVE CHECK VRR12	3
23	CVA00668	VALVE OVER CENTRE	1
25	CVA00674	GRUB SCREW M8X35 VOSL	1
26	CVA00675	NUT SEALED M8 VOSL	1

No.	Part No	Description	Qty
-----	---------	-------------	-----

Valve knives & floor [Used on all F5500 & on V660 from Serial No 800276+] (801)



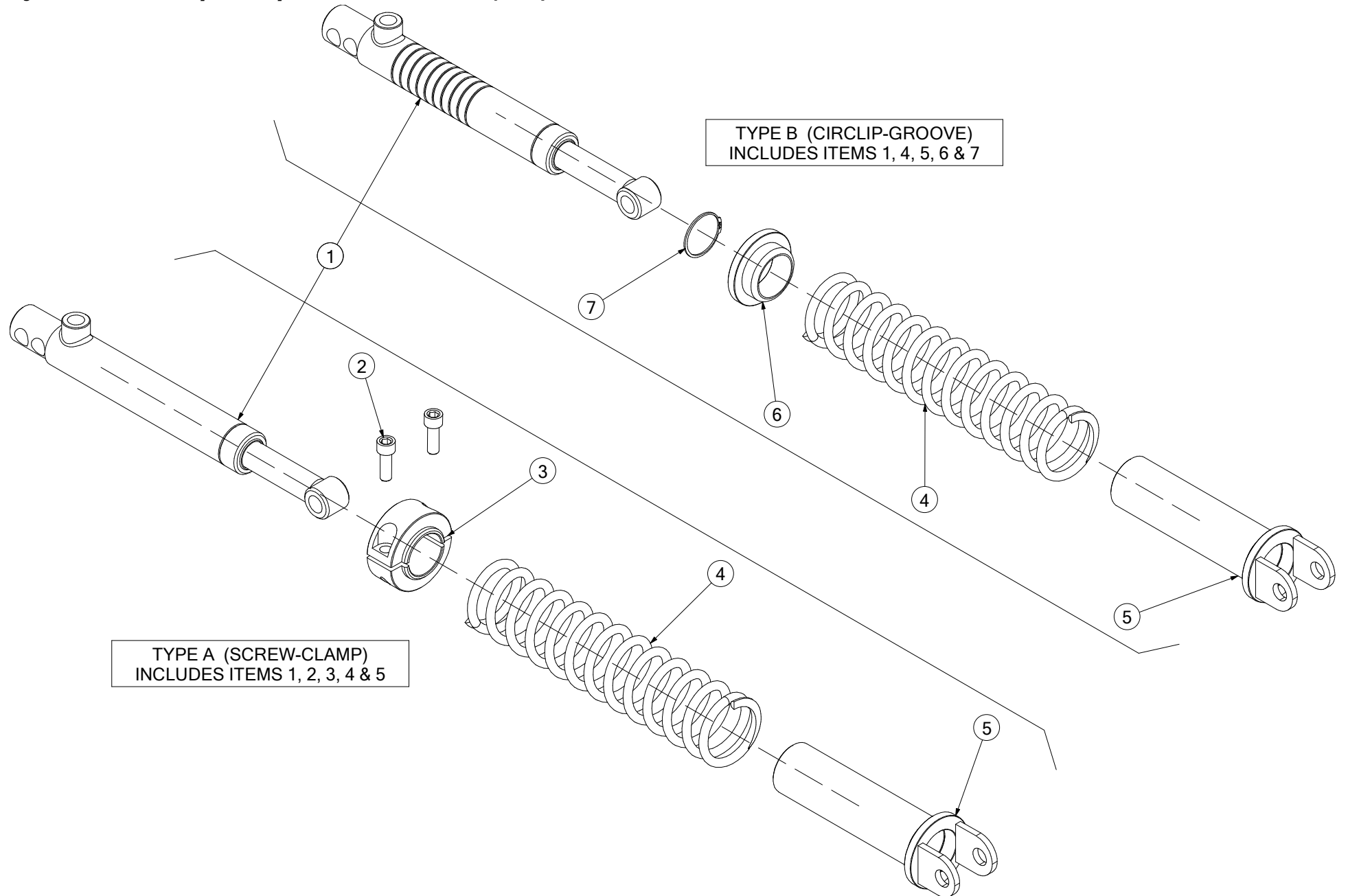
VALVE TORQUE SETTING = 25-30NM



No.	Part No	Description	Qty
1	CVA00361	VALVE CTRL FLOOR KNIVES 2011+	1
<i>INCLUDES ITEMS 2, 3, 4, 5, 11, 12, 14 & 15</i>			
2	CVA00553	BLANKING CAP 1/8"	6
3	CVA00338	VALVE CTE DOUBLE CHECK NC	3
4	CVA00602	VALVE CTE DOUBLE CHECK NO	1
5	CVA00603	VALVE CHECK ASM	2
11	CHY02010	ADAPTOR 1/4" BSP M/M	6
12	CHY00015	WASHER DOWTY 1/4"	6
14	CHY02013	ADAPTOR 1/2" BSP M/M	1
15	CHY00053	WASHER DOWTY 1/2"	2
17	CVA00165	ACCUMULATOR 0.5 LITRE 25 BAR	1
<i>NOT PART OF VALVE ASM - MUST BE ORDERED SEPARATELY</i>			
18	CEL00304	PRESSURE TRANSMITTER 0-250BAR M12	1
<i>NOT PART OF VALVE ASM - MUST BE ORDERED SEPARATELY</i>			

No.	Part No	Description	Qty
-----	---------	-------------	-----

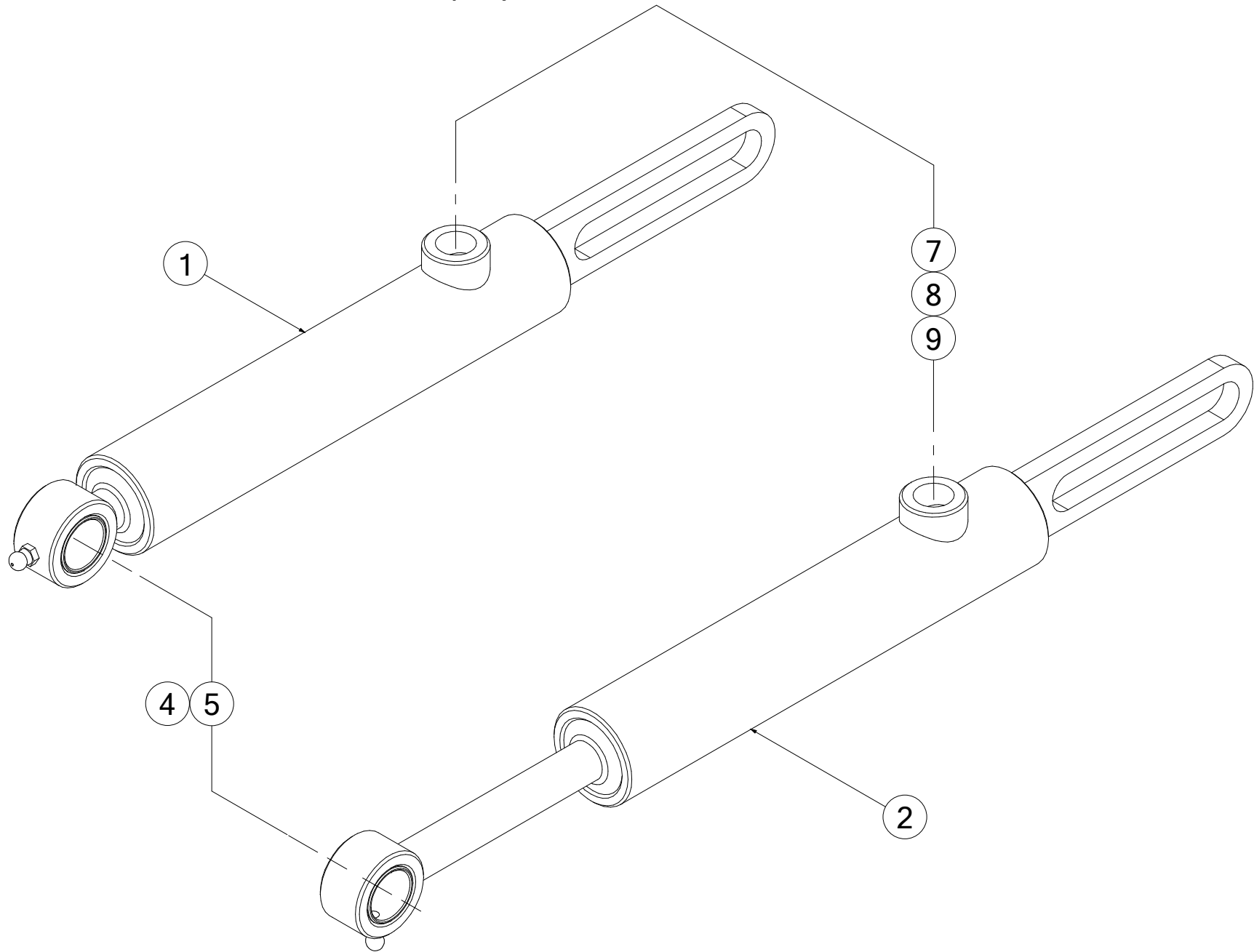
Hydraulic rams pick-up reel CRA00186 (182)



No.	Part No	Description	Qty
1	CRA00186	RAM PICKUP BALER	1
<i>COMPLETE RAM ASSEMBLY (MAY BE TYPE A OR TYPE B) CAN ALSO USE CRA00292 AS A DIRECT REPLACEMENT</i>			
1	CRA00292	RAM PICK UP REEL (CAMLESS)	1
<i>MUST BE USED WITH CAMLESS PICK-UP (CAN ALSO BE USED ON STD PICK-UP INSTEAD OF CRA00186)</i>			
2	CFA00602	SETSCREW M10X30 SOC CAP Z/P	2
<i>RAM TYPE A ONLY</i>			
3	ACH00405	SPRING RETAINER RAM PICKUP	1
<i>RAM TYPE A ONLY</i>			
4	CSG00037	SPRING COMP 8X67X300X14	1
5	ACH00404	SPRING RETAINER PICKUP	1
6	CPT00073	SPRING RETAINER FOR CRA00186	1
<i>RAM TYPE B ONLY</i>			
7	CFA00551	CIRCLIP 40MM EXTERNAL	1
<i>RAM TYPE B ONLY</i>			

No.	Part No	Description	Qty
-----	---------	-------------	-----

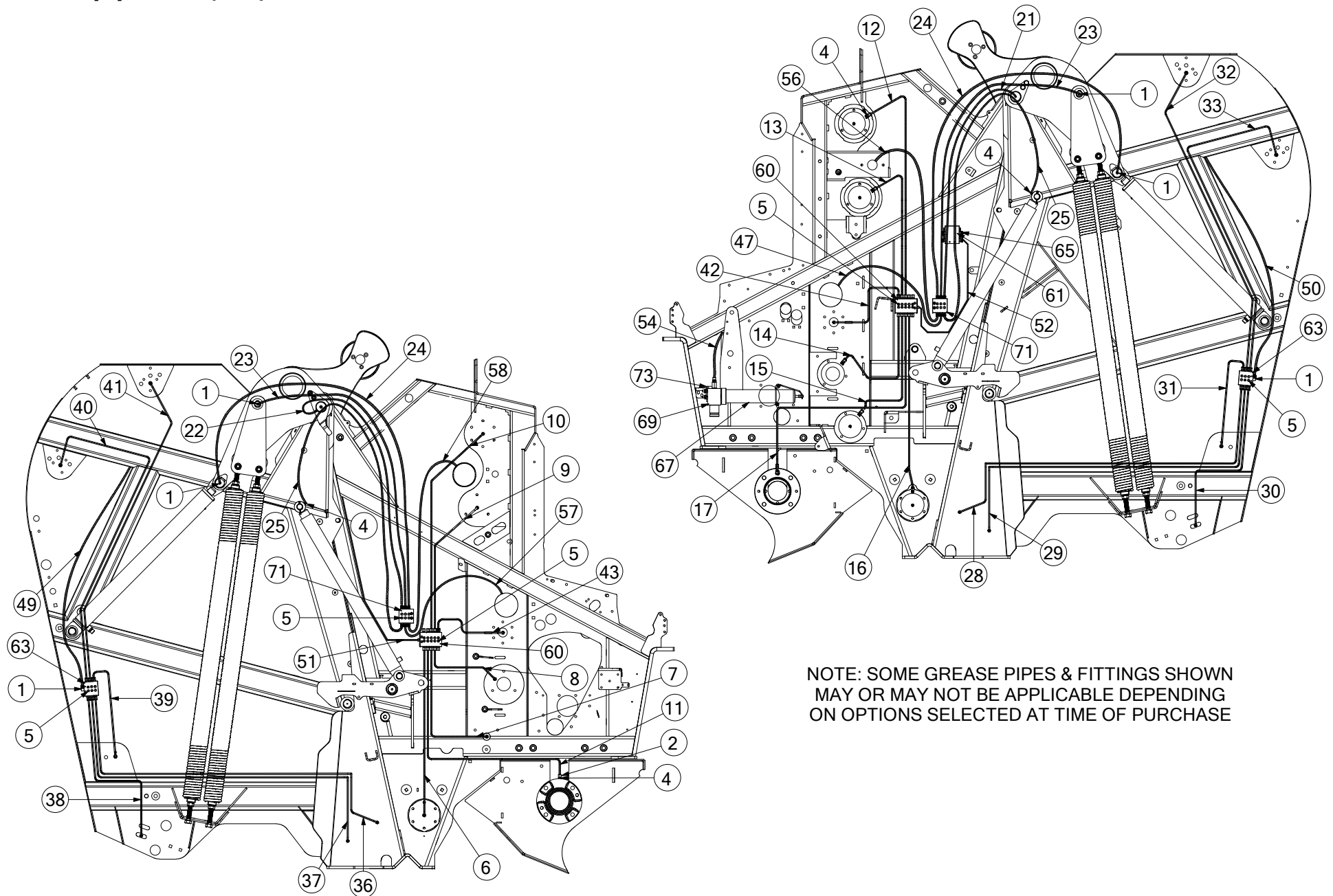
Hydraulic rams - roller & net reset rams (846)



No.	Part No	Description	Qty
1	CRA00574	RAM RESET V6	1
		<i>ROLLER RESET RAM (SHORT PISTON ROD)</i>	
2	CRA00652	RAM RESET V6	1
		<i>KNIFE RESET RAM (LONG PISTON ROD)</i>	
4	CFA00590	GREASE NIPPLE 1/8 BSP ST	1
5	CBR00096	BEARING GLACIER PM 2020 DX	1
7	CHY01055	ADAPTOR M18MX1/4M	1
8	CHY00937	WASHER DOWTY M18	1
9	CVA00625	FLOATING RESTRICTOR 0.7MM	1

No.	Part No	Description	Qty
-----	---------	-------------	-----

Grease pipes V6 (871)

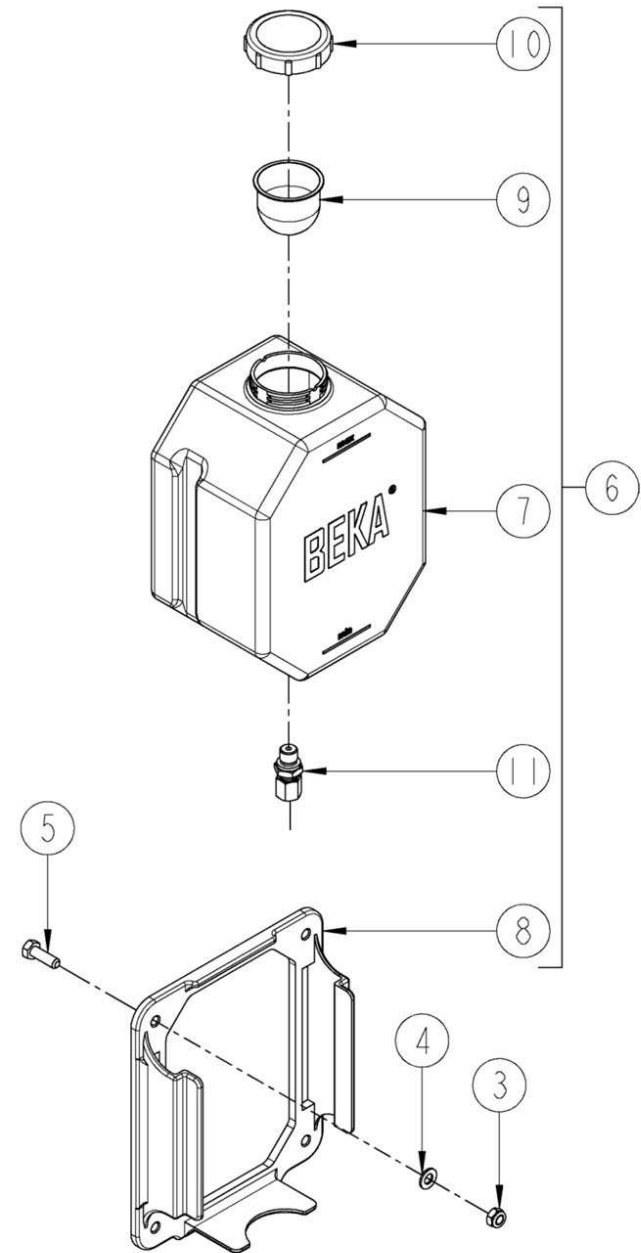
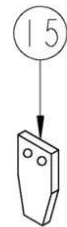
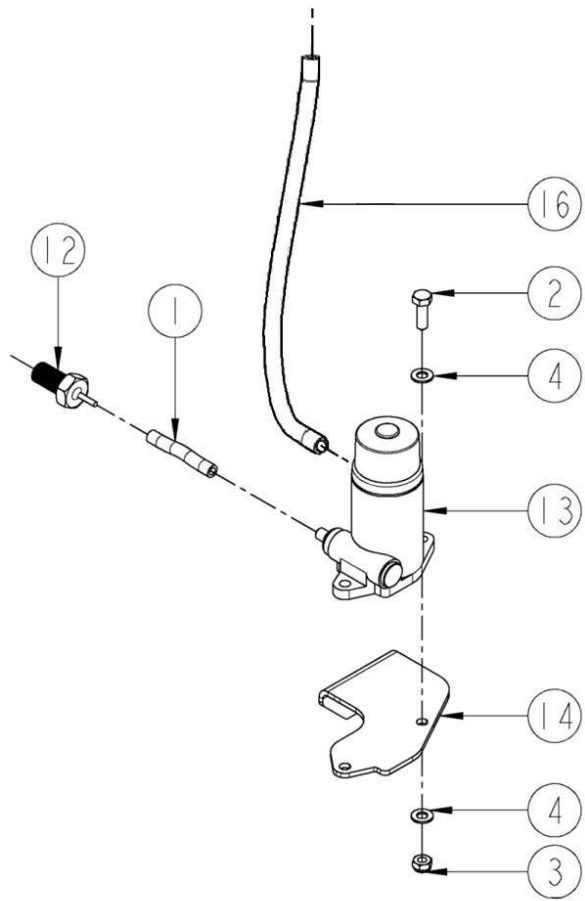


NOTE: SOME GREASE PIPES & FITTINGS SHOWN
MAY OR MAY NOT BE APPLICABLE DEPENDING
ON OPTIONS SELECTED AT TIME OF PURCHASE

No.	Part No	Description	Qty
1	CFA00543	6MM X 1/8" 90° GREASE FITTING	6
2	CFA00544	1/8 BSP NUT STL PIPE	68
3	CFA00545	6MM OLIVE STL PIPE	68
4	CFA00549	GREASE FITTING 6MM X 1/8" M/M	40
5	CFA00590	GREASE NIPPLE 1/8" BSP ST	34
6	CHY00264	GREASE PIPE ASSY RT ROLLER 5	1
7	CHY00265	GREASE PIPE ASSY RT ROLLER 4	1
8	CHY00266	GREASE PIPE ASSY RT ROLLER 3	1
9	CHY00267	GREASE PIPE ASSY RT ROLLER 2	1
10	CHY00268	GREASE PIPE ASSY RT ROLLER 1	1
11	CHY00269	GREASE PIPE ASSY RT ROTOR	1
12	CHY00270	GREASE PIPE ASSY LT ROLLER 1	1
13	CHY00271	GREASE PIPE ASSY LT ROLLER 2	1
14	CHY00272	GREASE PIPE ASSY LT ROLLER 3	1
15	CHY00273	GREASE PIPE ASSY LT ROLLER 4	1
16	CHY00274	GREASE PIPE ASSY LT ROLLER 5	1
17	CHY00275	GREASE PIPE ASSY LT ROTOR	1
21	CHY01057	6X1240MM GREASE PIPE FLEX <i>MAIN HINGE PIVOT LH SIDE (FLEX PIPE)</i>	1
22	CHY01058	6X1420MM GREASE PIPE FLEX <i>MAIN HINGE PIVOT RH SIDE (FLEX PIPE)</i>	1
23	CHY01059	6X1520MM GREASE PIPE FLEX <i>MAIN TENSION SPRING PIVOT (FLEX PIPE)</i>	2
24	CHY01060	6X1840MM GREASE PIPE FLEX <i>TENSION ARM RAM PIVOT (FLEX PIPE)</i>	2
25	CHY01080	6X2015MM GREASE PIPE FLEX <i>CHAMBER DOOR RAM PIVOT (FLEX PIPE)</i>	2
28	CHY01115	GREASE PIPE LOWER DOOR 1 LH <i>USED ON V6 UP TO SERIAL No 807999 & ON FUSION VARIO UP TO SERIAL No 900763</i>	1
28	CHY01352	GREASE PIPE LOWER DOOR 1 LH <i>USED ON V6 FROM SERIAL No 808000 & ON FUSION VARIO FROM SERIAL No 900764</i>	1
29	CHY01117	GREASE PIPE LOWER DOOR 2 LH <i>USED ON V6 UP TO SERIAL No 807999 & ON FUSION VARIO UP TO SERIAL No 900763</i>	1
29	CHY01350	GREASE PIPE LOWER DOOR 2 LH <i>USED ON V6 FROM SERIAL No 808000 & ON FUSION VARIO FROM SERIAL No 900764</i>	1
30	CHY01118	GREASE PIPE REAR DOOR 1 LH	1
31	CHY01119	GREASE PIPE REAR DOOR 2 LH	1
32	CHY01120	GREASE PIPE REAR DOOR 4 LH	1
33	CHY01121	GREASE PIPE REAR DOOR 3 LH	1
36	CHY01138	GREASE PIPE LOWER DOOR 1 RH <i>USED ON V6 UP TO SERIAL No 807999 & ON FUSION VARIO UP TO SERIAL No 900763</i>	1
36	CHY01351	GREASE PIPE LOWER DOOR 1 RH <i>USED ON V6 FROM SERIAL No 808000 & ON FUSION VARIO FROM SERIAL No 900764</i>	1
37	CHY01139	GREASE PIPE LOWER DOOR 2 RH <i>USED ON V6 UP TO SERIAL No 807999 & ON FUSION VARIO UP TO SERIAL No 900763</i>	1
37	CHY01349	GREASE PIPE LOWER DOOR 2 RH <i>USED ON V6 FROM SERIAL No 808000 & ON FUSION VARIO FROM SERIAL No 900764</i>	1
38	CHY01140	GREASE PIPE REAR DOOR 1 RH	1
39	CHY01141	GREASE PIPE REAR DOOR 2 RH	1
40	CHY01142	GREASE PIPE REAR DOOR 3 RH	1
41	CHY01143	GREASE PIPE REAR DOOR 4 RH	1

No.	Part No	Description	Qty
42	CHY01144	GREASE PIPE ASSY SMALL IDLE ROLLER LH	1
43	CHY01145	GREASE PIPE ASSY SMALL IDLE ROLLER RH	1
47	CHY01177	6X860MM GREASE PIPE FLEX	1
49	CHY01179	BACK DOOR GREASE PIPE NDS V6 VARIO <i>USED ON AUTO GREASING ONLY FROM SERIAL No 803401 (V6 OPTION) & FROM SERIAL No 900334 (VARIO)</i>	1
50	CHY01180	BACK DOOR GREASE PIPE DS V6 VARIO <i>USED ON AUTO GREASING ONLY FROM SERIAL No 803401 (V6 OPTION) & FROM SERIAL No 900334 (VARIO)</i>	1
51	CHY01181	FRONT DOOR GREASE PIPES NDS V6 VARIO <i>USED ON AUTO GREASING ONLY FROM SERIAL No 803401 (V6 OPTION) & FROM SERIAL No 900334 (VARIO)</i>	1
52	CHY01182	FRONT DOOR GREASE PIPE DS V6 VARIO <i>USED ON AUTO GREASING ONLY FROM SERIAL No 803401 (V6 OPTION) & FROM SERIAL No 900334 (VARIO)</i>	1
54	CHY01183	GREASE PUMP GREASE PIPE V6 VARIO <i>USED ON AUTO GREASING ONLY FROM SERIAL No 803401 (V6 OPTION)</i>	1
54	CHY01185	VARIO GREASE PUMP GREASE PIPE <i>USED ON AUTO GREASING ONLY FROM SERIAL No 900334 (VARIO)</i>	1
56	CHY01186	6X1420MM GREASE PIPE FLEXI	1
57	CHY01187	6X575MM GREASE PIPE FLEXI	1
58	CHY01188	6X1030MM GREASE PIPE FLEXI	1
60	CVA00166	GREASE BLOCK 10 WAY <i>USED ON AUTO GREASING ONLY FROM SERIAL No 803401 (V6 OPTION) & FROM SERIAL No 900334 (VARIO)</i>	2
60	CVA00567	GREASE BLOCK 10 WAY (MANUAL) <i>USED ON MANUAL GREASING ONLY FROM SERIAL No 803401 (V6)</i>	2
61	CVA00167	GREASE BLOCK 8 WAY MASTER <i>USED ON AUTO GREASING ONLY FROM SERIAL No 803401 (V6 OPTION) & FROM SERIAL No 900334 (VARIO)</i>	1
63	CVA00169	GREASE BLOCK 6 WAY <i>USED ON AUTO GREASING ONLY FROM SERIAL No 803401 (V6 OPTION) & FROM SERIAL No 900334 (VARIO)</i>	2
63	CVA00678	GREASE BLOCK 6 WAY (MANUAL) <i>USED ON MANUAL GREASING ONLY FROM SERIAL No 803401 (V6)</i>	2
65	CVA00172	VALVE CHECK 1/8" - M6LL BODY	30
67	CVA00184	GREASE GUN CARTRIDGE HOUSING <i>USED ON AUTO GREASING ONLY FROM SERIAL No 803401 (V6 OPTION) & FROM SERIAL No 900334 (VARIO)</i>	1
69	CVA00382	PUMP GREASE FOR BALER ONLY <i>USED ON AUTO GREASING ONLY FROM SERIAL No 803401 (V6 OPTION) & FROM SERIAL No 900334 (VARIO)</i>	1
71	CVA00678	GREASE BLOCK 6 WAY (MANUAL)	2
73	CZD05017	4MM L GREASE PUMP BRACKET V6 <i>USED ON AUTO GREASING ONLY FROM SERIAL No 803401 (V6 OPTION) & FROM SERIAL No 900334 (VARIO)</i>	1

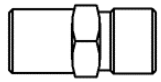
Oil system 1 (619)



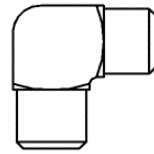
No.	Part No	Description	Qty
1	CBE00172	BEKA OIL PUMP DRIVE LINE PIPE	1
1a	CFA00644	JUBILEE CLIP 13MM-20MM	2
2	CFA00102	SETSCREW M8X25 Z/P	4
3	CFA00132	NUT M8 NYLOC Z/P	8
4	CFA00147	WASHER FLAT 8MM Z/P	12
5	CFA00407	BOLT M8X25 Z/P	4
6	CHY00868	BEKA OIL TANK ASSY	1
7	CHY00869	BEKA OIL TANK	1
8	CHY00870	BEKA OIL TANK BRACKET	1
9	CHY00871	BEKA OIL TANK FILTER	1
10	CHY00872	BEKA OIL TANK CAP	1
11	CHY00873	BEKA OIL TANK FITTING	1
12	CVA00563	BEKA OIL PUMP DRIVE	1
13	CVA00659	BEKA OIL PUMP (8:1 RATIO)	1
		<i>REPLACES CVA00564</i>	
13a	CBC00024	SCREW CAP BLACK FOR CVA00564	1
		<i>REPLACEMENT BLACK SCREW CAP FOR TOP OF BEKA OIL PUMP</i>	
13b	CVA10044	THREADED ADJUSTER BEKA OIL PUMP	1
		<i>REPLACEMENT THREADED ADJUSTER FOR BEKA OIL PUMP</i>	
13c	CVA00573	BEKA OIL PUMP GEARBOX	1
		<i>REPLACEMENT BASE UNIT FOR BOTTOM OF BEKA OIL PUMP</i>	
13d	CVA00574	BEKA OIL PUMP SPUR GEAR	1
		<i>REPLACEMENT SPUR GEAR FOR BEKA OIL PUMP</i>	
14	CZD04357	4MM OIL PUMP BRACKET BELT BALER	1
15	CHY01061	OIL WICK KIT FULL BALER RANGE	1
		<i>CONTAINS 4 SEPARATE WICKS FOR ANY MCHALE BALER MODEL (REPLACES CHY00609 SINGLE WICK)</i>	
16	CHY00892	TUBE 10X8X300 OILER TANK	1
		<i>USED ON F5 & V6 BALERS ONLY</i>	
16	CHY01229	TUBE 10X8X1330MM OILER TANK	1
		<i>USED ON FUSION VARIO ONLY</i>	
16a	CVA10046	PUSH FITTING 10 G 1/8 BEKA OIL PUMP	1
17	CHY02881	POLYAMIDE 4MM FLEXI OILER PIPE	1
17a	CVA10045	PUSH FITTING 4 G 1/8 BEKA OIL PUMP	1

No.	Part No	Description	Qty
-----	---------	-------------	-----

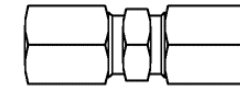
Oil & Grease fittings (553)



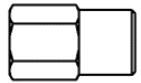
12



13



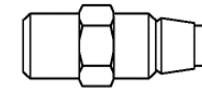
14



15



16



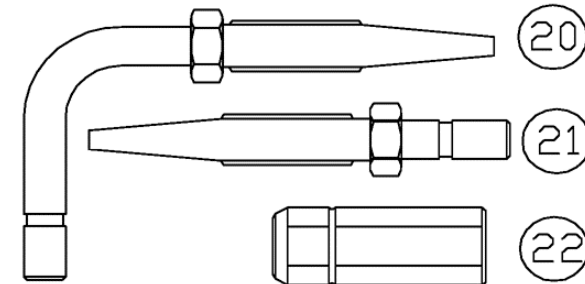
17



18



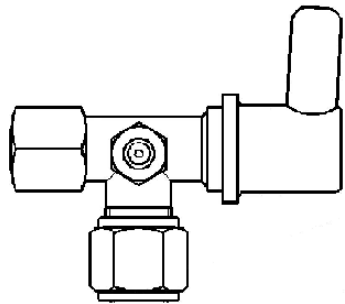
19



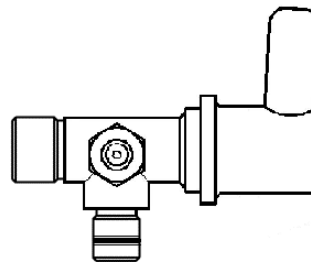
20

21

22



23

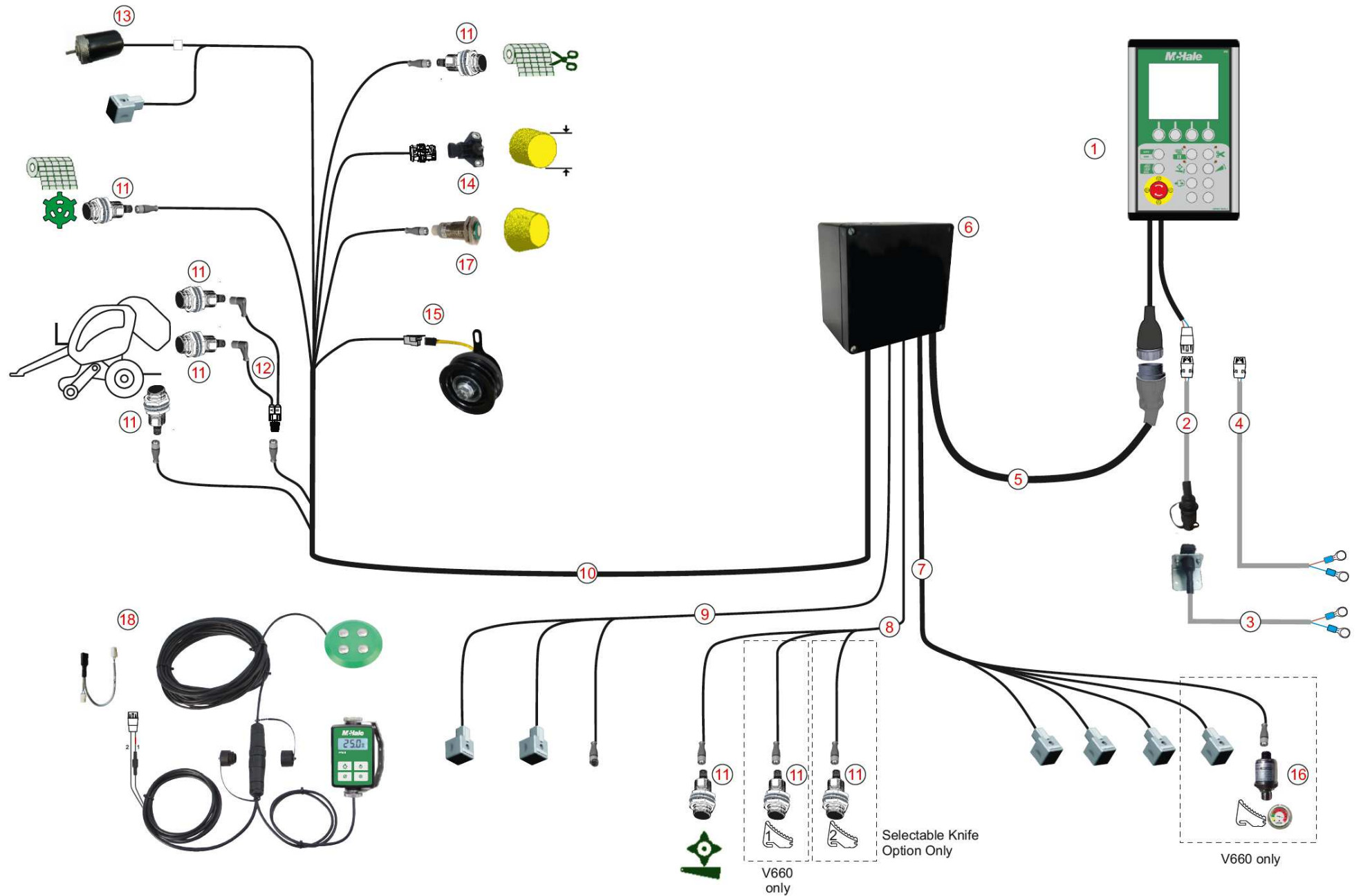


24

No.	Part No	Description	Qty
12	CFA00549	6LL FITTING STRAIGHT	1
13	CFA00543	6LL FITTING ELBOW	1
14	CFA00681	6LL UNION (COMPLETE)	1
15	CFA00682	COMPRESSION NUT	1
16	CFA00544	6LL COUPLING NUT	1
17	CFA00648	CHECK VALVE	1
18	CFA00683	BRASS OLIVE	1
19	CFA00545	STEEL OLIVE	1
20	CHY02323	HOSE STUD ELBOW	1
21	CHY02324	HOSE STUD STRAIGHT	1
22	CHY02325	THREADED SLEEVE	1
23	CHY02612	VALVE SVTE MANUAL GREASE NIPPLE	1
24	CHY02986	VALVE SVTS-350-R1/8 MANUAL GREASE NIPPLE	1

No.	Part No	Description	Qty
-----	---------	-------------	-----

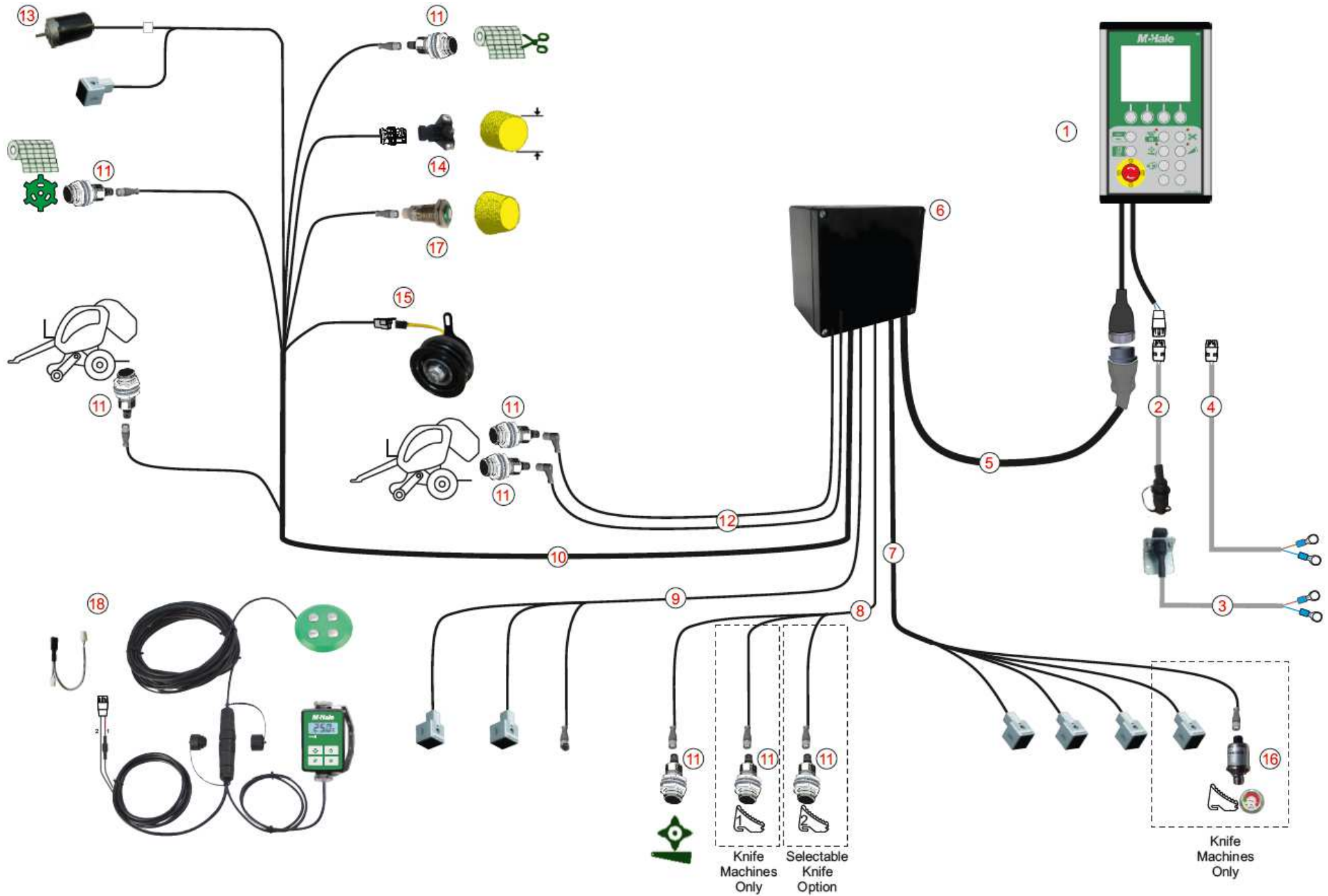
Electrical control V6 [Serial No 805001 to 808431] (1027)



No.	Part No	Description	Qty
1	CEL01553	CONTROL BOX EXPERT PLUS 3 V6	1
2	CEL00064	LOOM COBO WHITE CON EURO LEAD	1
3	CEL00010	EURO SOCKET TO BATT POWER LEAD	1
4	CEL00031	BATTERY POWER LEAD CTRL BOX DIRECT	1
5	CEL00904	V6 MK3 MAIN LOOM	1
6	CEL00883	JUNCTION BOX ABS PLASTIC GREY (120X120X80)	1
7	CEL00906	V6 MK3 KNIFE/FLOOR VALVE LOOM	1
<i>V660 ONLY</i>			
7	CEL00911	V6 MK3 FLOOR VALVE LOOM	1
<i>V640 ONLY</i>			
8	CEL00905	V6 MK3 KNIFE/FLOOR SENSOR LOOM	1
<i>STANDARD V640 & V660</i>			
8	CEL00910	V6 MK3 SELECT KNIFE SENS LOOM	1
<i>SELECTABLE KNIFE MACHINE ONLY</i>			
9	CEL00907	V6 MK3 DENSITY VALVE LOOM	1
10	CEL01558	V6 MK4 CHAMBER LOOM	1
11	CEL00767	SENSOR M18 PROX M12 PLUG	7
<i>QTY IS 6 ON A V640 & 8 ON A V660 WITH SELECTABLE KNIVES</i>			
12	CEL00915	PROXIMITY SENSOR SPLITTER, NPN	1
13	CEL00991	MOTOR 12VOLT 2000RPM	1
14	CEL00785	ANGLE SENSOR 12V 120DEG 0.5-4.5VOLT	2
15	CEL00259	MAGNETIC CLUTCH UNIT 12V	1
16	CEL00304	PRESSURE TRANSMITTER 0-250BAR M12	1
<i>USED ON V660 ONLY</i>			
17	CEL00947	ULTRASONIC SENSOR, SN-300MM	1
18	KST00094	BALER MOISTURE SENSER KIT COMP	1
18a	CEL01589	MOISTURE SENSOR PAD	1
18b	CEL01822	MOISTURE SENSOR CABLE & CONNECTOR	1
<i>COIL OF CABLE WITH CONNECTOR GOING FROM SENSOR PAD TO TRACTOR CAB</i>			
18c	CEL00034	2-WAY AMP SPLITTER CABLE	1

No.	Part No	Description	Qty
-----	---------	-------------	-----

Electrical control V6 [From Serial No 808432] (1126)



No.	Part No	Description	Qty
1	CEL01553	CONTROL BOX EXPERT PLUS 3 V6	1
2	CEL00064	LOOM COBO WHITE CON EURO LEAD	1
3	CEL00010	EURO SOCKET TO BATT POWER LEAD	1
4	CEL00031	BATTERY POWER LEAD CTRL BOX DIRECT	1
5	CEL01754	V6 MK5 MAIN LOOM	1
6	CEL00883	JUNCTION BOX ABS PLASTIC GREY (120X120X80)	1
7	CEL00906	V6 MK3 KNIFE/FLOOR VALVE LOOM	1
<i>V6750 ONLY</i>			
7	CEL00911	V6 MK3 FLOOR VALVE LOOM	1
<i>V6740 ONLY</i>			
8	CEL00905	V6 MK3 KNIFE/FLOOR SENSOR LOOM	1
<i>STANDARD V6740 & V6750</i>			
8	CEL00910	V6 MK3 SELECT KNIFE SENS LOOM	1
<i>SELECTABLE KNIFE MACHINE ONLY</i>			
9	CEL00907	V6 MK3 DENSITY VALVE LOOM	1
10	CEL01758	V6 MK5 CHAMBER LOOM	1
11	CEL00767	SENSOR M18 PROX M12 PLUG	7
<i>QTY IS 6 ON A V6740 & 8 ON A V6750 WITH SELECTABLE KNIVES</i>			
12	CEL01757	V6 DOOR LOCK SENSORS LOOM	1
13	CEL00991	MOTOR 12VOLT 2000RPM	1
14	CEL00785	ANGLE SENSOR 12V 120DEG 0.5-4.5VOLT	2
15	CEL00259	MAGNETIC CLUTCH UNIT 12V	1
16	CEL00304	PRESSURE TRANSMITTER 0-250BAR M12	1
<i>USED ON V6750 ONLY</i>			
17	CEL00947	ULTRASONIC SENSOR, SN-300MM	1
18	KST00094	BALER MOISTURE SENSER KIT COMP	1
18a	CEL01589	MOISTURE SENSOR PAD	1
18b	CEL01822	MOISTURE SENSOR CABLE & CONNECTOR	1
<i>COIL OF CABLE WITH CONNECTOR GOING FROM SENSOR PAD TO TRACTOR CAB</i>			
18c	CEL00034	2-WAY AMP SPLITTER CABLE	1

No.	Part No	Description	Qty
-----	---------	-------------	-----

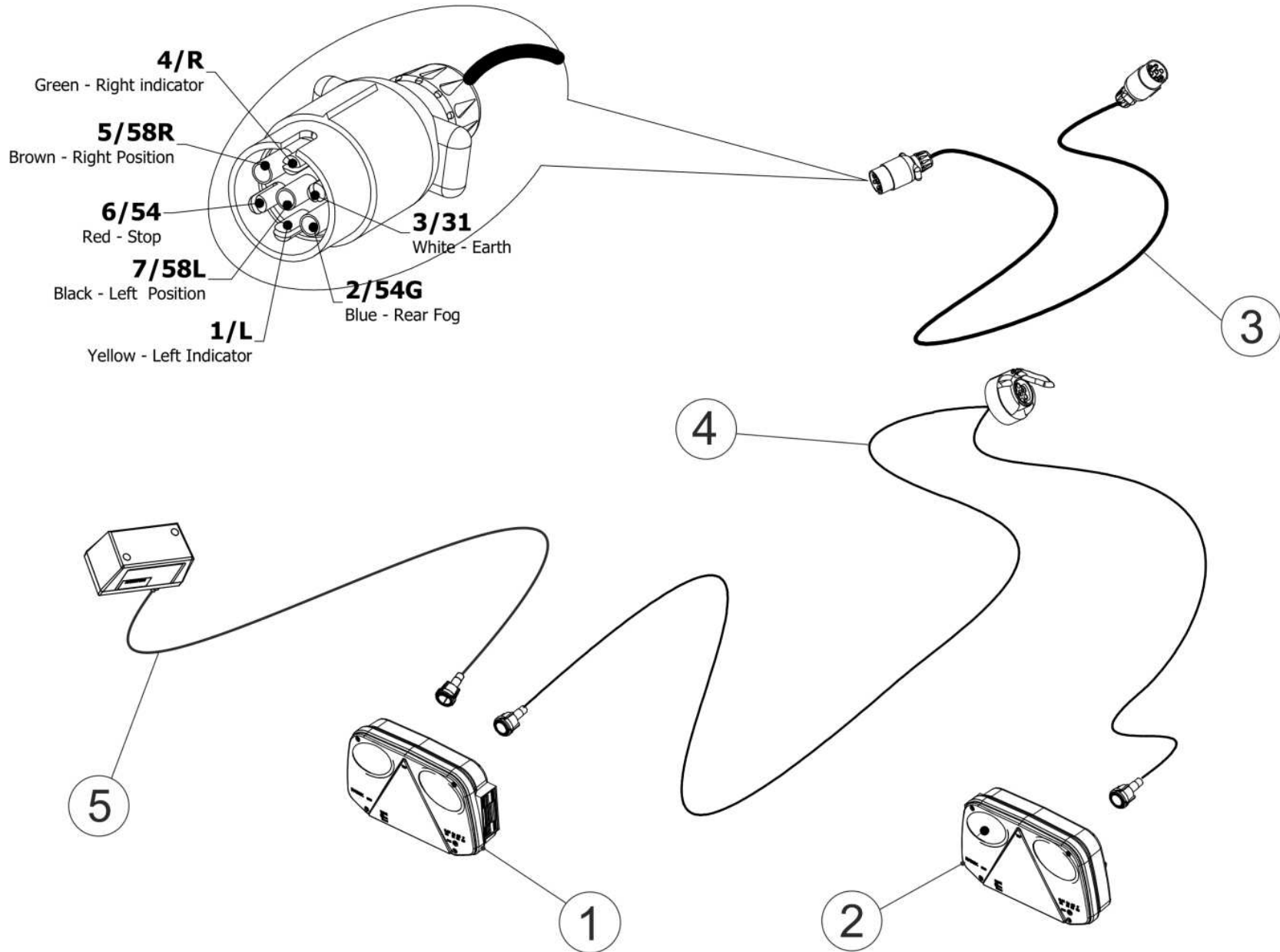
Expert plus control unit (1075)



No.	Part No	Description	Qty
1	CEL00277	CTRL EXPERT PLUS FUSION 2/3	1
1	CEL00647	CTRL EXPERT PLUS FUS 2/3 RECON	1
1	CEL01600	CTRL EXPERT PLUS 3 FUSION	1
1	CEL01775	CTRL EXPERT PLUS 3 FUS 2/3 RECON	1
1	CEL00675	CTRL EXPERT PLUS V6	1
1	CEL00770	CTRL EXPERT PLUS V6 RECON	1
1	CEL01553	CTRL EXPERT PLUS 3 V6	1
1	CEL01774	CTRL EXPERT PLUS 3 V6 RECON	1
1	CEL00993	CTRL EXPERT PLUS ORBITAL	1
1	CEL00377	CTRL EXPERT PLUS ORBITAL RECON	1
1	CEL00734	CTRL EXPERT PLUS W2020	1
1	CEL00374	CTRL EXPERT PLUS W2020 RECON	1
1	CEL00631	CTRL EXPERT PLUS F5600	1
1	CEL00644	CTRL EXPERT PLUS F5600 RECON	1
1	CEL01555	CTRL EXPERT PLUS 3 F5600 PLUS	1
1	CEL01773	CTRL EXPERT PLUS 3 F5600 PLUS RECON	1
2	CEL00290	EXPERT PLUS CONTROL BOX SCREEN	1
3	CEL00322	SCREEN PROTECTOR EXPERT PLUS	1
4a	CEL00326	BATTERY EXPERT/EXPERT PLUS	1
4b	CEL00291	BATTERY AUTO BOX	1
5	CEL00365	CTRL UNIT CONNECTOR LOCK RING	1
6	CEL00670	CONTROL UNIT STOP SWITCH	1
7	CEL00671	STOP SWITCH CONTACT BLOCK	1
8	CEL00359	EXPERT PLUS 1 CABLE+PLATE F2/3	1
8	CEL00360	EXPERT PLUS 1 CABLE + PLATE V6	1
8	CEL00384	EXPERT PLUS 3 CABLE+PLATE F2/3	1
8	CEL00385	EXPERT PLUS 3 CABLE+PLATE V6	1
9	CEL00064	LOOM COBO WHITE CON EURO LEAD	1
9	CEL01581	POWER LEAD USA	1
<i>NORTH AMERICA ONLY</i>			
10	CEL00010	EURO SOCKET TO BATT POWER LEAD	1
11	CEL00254	RDS EXPERT UPLOAD KIT	1
12	CEL00031	BAT POWER LEAD CTRL BOX DIRECT	1
13	CPL00007	VACUUM PAD FLAT BACK	1
14	KST00070	CONTROL UNIT MOUNTING BRACKETS	1
15	CEL00098	CON HSG TAB 2 WAY AMP 180924-0	1
16	CEL00027	TERM CRIMP TAB AMP NO 42565-2	1
17	CEL00382	EXPERT PLUS 1 KEYPAD MEMBRANE	1
17	CEL00383	EXPERT PLUS 3 KEYPAD MEMBRANE	1
18	CEL01603	OVERLAY EXPERT PLUS 3 V6	1
18	CEL01604	OVERLAY EXPERT PLUS 3 F5600/PLUS	1
18	CEL01605	OVERLAY EXPERT PLUS 3 FUSION	1
19	CEL00343	OVERLAY EXPERT PLUS F560	1
19	CEL00344	OVERLAY EXPERT PLUS FUSION 2	1
19	CEL00345	OVERLAY EXPERT PLUS V660	1
19	CEL00995	OVERLAY EXPERT PLUS ORBITAL	1
19	CEL01577	OVERLAY EXPERT PLUS W2020	1
20	CEL00325	SPEAKER EXPERT PLUS	1
21	CEL00368	EPROM EXPERT PLUS	1

No.	Part No	Description	Qty
21	CEL00398	EPROM CANBUS EXPERT PLUS 1	1
<i>USED ON FUSION 2 BARREL WRAP (NRF) EXPERT PLUS CONTROL BOX ONLY</i>			
22	CEL01626	RUBBER USB COVER EXPERT PLUS 3	1
23	CEL01761	USB MEMORY DRIVE EXPERT PLUS 3	1
24	CEL01753	CONTROL UNIT STOP SWITCH NUT	1
25	CEL00122	CON 9 WAY D PLUG MALE	1
26	CEL00315	PLUG 9 WAY D-TYPE (10 PACK)	1
27	CEL00316	BACKSHELL 9 WAY D-TYPE	1
28	CEL00664	433 MHZ REMOTE HAND PIECE R/C	1
29	CEL00665	RADIO REMOTE RECEIVER	1
30	CEL01643	2.4 GHZ RADIO REMOTE TRANSMITTER	1
31	CEL01644	2.4 GHZ RADIO REMOTE RECEIVER	1
32	CEL01523	ORBITAL HAND CONTROLLER	1
33	CEL00819	WIRED REMOTE W2020	1

Electrical lighting kit [From Serial No 801989] (907)



No. Part No	Description	Qty
0 CEL00943	ELECTRICAL LIGHTING KIT- RADEX	1
<i>INCLUDES ITEMS 1 THROUGH 4</i>		
1 CEL00700	TAIL LIGHT RADEX LEFT	1
<i>COMPLETE LIGHT UNIT LHS</i>		
1a CEL00788	LIGHT LENS RADEX 2800 LHS	1
<i>LENS ONLY LHS</i>		
1b CEL00951	RADEX RED PLUG KIT (LEFT)	1
<i>KIT CONTAINS CONNECTOR, HANDLE, CABLE-PROTECTION & 5x CRIMP TERMINALS</i>		
2 CEL00701	TAIL LIGHT RADEX RIGHT	1
<i>COMPLETE LIGHT UNIT RHS</i>		
2a CEL00787	LIGHT LENS RADEX 2800 RHS	1
<i>LENS ONLY RHS</i>		
2b CEL00950	RADEX GREEN PLUG KIT (RIGHT)	1
<i>KIT CONTAINS CONNECTOR, HANDLE, CABLE-PROTECTION & 5x CRIMP TERMINALS</i>		
3 CEL00765	LIGHTING LOOM EXTENSION	1
3a CEL01505	LIGHT LOOM ADAPTER (AMERICA)	1
<i>USED TO CONNECT LIGHTING ON MACHINES WITHIN THE USA & CANADA</i>		
3b CEL01587	7 PIN LIGHTING PLUG SAE J560	1
4 CEL00944	LIGHTING LOOM V6	1
5 CEL00720	REG PLATE LIGHT 900MM (RADEX)	1
<i>OPTIONAL STANDARD MACHINES (CEL00972 CAN BE USED AS A DIRECT ALTERNATIVE)</i>		
5 CEL00972	REG PLATE LIGHT 1300MM (RADEX)	1
<i>OPTIONAL GERMAN MACHINES</i>		

No. Part No	Description	Qty
-------------	-------------	-----

Camera & monitor kit (1079)

1



2



3



4



5a



5b



6



7



8



9



9a



10



11



12



13

Kit containing these 3 items

14



15



16



17

Kit containing these 3 items

18



19



20



21



22




















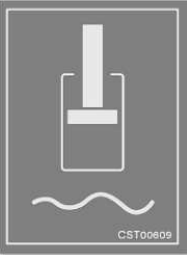

23

Kit containing all of these items

No.	Part No	Description	Qty
1	CEL00961	CAMERA MALE PHONO CONNECTOR	1
2	CEL01371	RCA PHONO SOCKET FEMALE 2WAY	1
3	CEL01593	DOUBLE PHONO ADAPTOR	1
4	CEL01630	FUSE 250MA 5X20MM GLASS	1
4	CEL01631	FUSE 500MA 5X20MM GLASS	1
5a	CEL01609	ISOCAN - FENDT CAMERA ADAPTOR	1
5b	CEL01747	4 PIN - FENDT CAMERA ADAPTER	1
6	CEL01520	SECOND CAMERA POWER ADAPTER	1
7	CEL01585	PHONO TO CAMERA CONNECTOR	1
8	CEL01532	TWIN CAMERA ADAPTER	1
9	KST00074	CAMERA MOUNTING KIT	1
<i>INCLUDES CONNECTOR CABLE (ITEM 9a)</i>			
9a	CEL00034	LOOM POWER CCTV & AUTO CONT'	1
10	CEL00903	CAMERA-ISOCAN SIGNAL CABLE	1
11	CEL00900	COLOUR CAMERA MK1	1
12	CEL01541	CAMERA EXTENSION 5M HIGH-FLEX	1
13	KST00064	2ND CAMERA KIT ISOCAN	1
<i>INCLUDES ITEMS 10, 11 & 12</i>			
14	CEL01506	CAMERA MONITOR	1
15	CEL01550	CAMERA EXTENSION CABLE 10M	1
15	CEL01556	CAMERA EXTENSION CABLE 3M	1
16	CEL01533	COLOUR CAMERA MK2	1
17	KST00068	CAMERA & MONITOR KIT	1
<i>INCLUDES ITEMS 14, 15 & 16</i>			
18	CEL01655	QUAD CAMERA MONITOR	1
19	CEL00064	LOOM COBO WHITE CON EURO LEAD	1
20	CEL01550	CAMERA EXTENSION CABLE 10M	2
21	CEL01533	COLOUR CAMERA MK2	2
22	ATR00047	DOUBLE CAMERA BRACKET COMP ASSY	1
23	KST00100	DUAL CAMERA COMP KIT FRT MOWER	1
<i>INCLUDES ITEMS 18, 19, 20, 21 & 22</i>			

No.	Part No	Description	Qty
-----	---------	-------------	-----

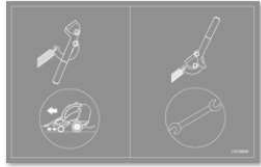
Decals 1 (1128)

 <p>Decal_CST00006</p>	 <p>Decal_CST00017</p>	 <p>Decal_CST00019</p>	 <p>Decal_CST00032</p>	 <p>Decal_CST00060</p>	 <p>Decal_CST00107</p>
 <p>Decal_CST00108</p>	 <p>Decal_CST00110</p>	 <p>Decal_CST00111</p>	 <p>Decal_CST00112</p>	 <p>Decal_CST00113</p>	 <p>Decal_CST00114</p>
 <p>Decal_CST00115</p>	 <p>Decal_CST00118</p>	 <p>Decal_CST00120</p>	 <p>Decal_CST00140</p>	 <p>Decal_CST00141</p>	 <p>Decal_CST00142</p>
 <p>Decal_CST00143</p>	 <p>Decal_CST00146</p>	 <p>Decal_CST00259</p>	 <p>Decal_CST00609</p>	 <p>Decal_CST00657</p>	 <p>Decal_CST00658_Inverted</p>

No.	Part No	Description	Qty
1	CST00006	DECAL FREEFLOW RETURN TO TANK	1
2	CST00017	DECAL ROTATING ELEMENTs 214	3
3	CST00019	DECAL CRUSHED HAND	2
4	CST00032	DECAL LIFTING HOOK	2
5	CST00060	DECAL GREASE GUN	18
6	CST00107	DECAL NO STANDING ON PLATFORM	1
7	CST00108	DECAL ROTATING PICK UP REEL	2
8	CST00110	DECAL READ MANUAL	1
9	CST00111	DECAL HYDRAULIC WARNING	1
10	CST00112	DECAL WARNING!SHARP KNIVES	2
<i>USED ON V6750 ONLY</i>			
11	CST00113	DECAL REMOVE KEY	2
12	CST00114	DECAL CLOSE PROTECTIVE COVERS	2
13	CST00115	DECAL ACCUMULATOR PRESSURE	3
14	CST00118	DECAL KNIFE LOCK POSITION	1
<i>USED ON V6750 ONLY</i>			
15	CST00120	DECAL CRUSHED HAND (ABOVE)	2
16	CST00140	DECAL MAN CAUGHT IN DOOR 209	2
17	CST00141	DECAL DRAWBAR SWING BALER 210	1
18	CST00142	DECAL HAND CHAIN SPROCKET 212	1
19	CST00143	DECAL MAN WRAPPED IN SHAFT 220	1
20	CST00146	DECAL MAN BEHIND BALER DOOR208	2
21	CST00259	DECAL CHECK PRESSURE & NUTS DAILY - BALER	2
22	CST00609	DECAL FLOTATION (60X130)	1
23	CST00657	DECAL MAX OIL PRESSURE 40X70	1
24	CST00658	DECAL PTO MAX OPERATING ANGLE	1

No.	Part No	Description	Qty
-----	---------	-------------	-----

Decals 2 (1129)



Decal_CST00689



Decal_CST00711



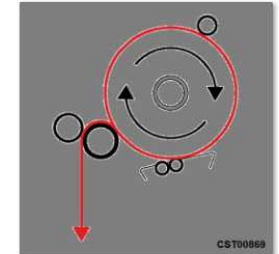
Decal_CST00776



Decal_CST00785



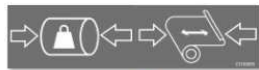
Decal_CST00803



Decal_CST00869



Decal_CST00877



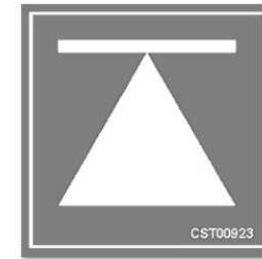
Decal_CST00898



Decal_CST00903



Decal_CST00920



Decal_CST00923



Decal_CST00926



Decal_CST00927



Decal_CST00965



Decal_CST00974



Decal_CST00981



Decal_CST00983



Decal_CST00969



Decal_CST00970



Decal_CST00971



Decal_CST00972

No.	Part No	Description	Qty
1	CST00689	DECAL TENSION ARM LOCK V6 V6	1
2	CST00711	DECAL WHEEL ROTATION	2
3	CST00776	DECAL CHAIN OIL SPECIFICATION	1
4	CST00785	DECAL DOOR LOCK VALVE 70X140	1
5	CST00803	DECAL DO NOT STAND	4
6	CST00869	NET PATH DECAL VARIO (2017 ONWARDS)	1
7	CST00877	ELECTRICAL HAZARD WARNING CONTROL BOXES	1
8	CST00898	BALER DOOR PRESSURE/FILM NET TENSION GAUGE	1
9	CST00903	DECAL UTTO THF OIL FOR PUMP	1
10	CST00920	DECAL BILL HOOK TRIPPED SIGNAL	1
11	CST00923	DECAL JACKING POINT	2
12	CST00926	DECAL BELT TRACKING LEFT SIDE	1
13	CST00927	DECAL BELT TRACKING RIGHT SIDE	1
14	CST00964	DECAL PTO 1000 VARIABLE CHAMBER	1
		<i>1000 RPM (NOT SHOWN)</i>	
14	CST00965	DECAL PTO 540 VARIABLE CHAMBER	1
		<i>540 RPM (SHOWN)</i>	
15	CST00969	LEFT PANEL DECAL V67 AND V89 SERIES	1
16	CST00970	RIGHT PANEL DECAL V67 AND V89 SERIES	1
17	CST00971	LEFT PANEL LOGO V6750	1
18	CST00972	RIGHT PANEL LOGO V6750	1
19	CST00974	BACK PANEL MCHALE LOGO V67 AND V89 SERIES	1
20	CST00981	BACK PANEL V SERIES RECESS MIDDLE	1
21	CST00982	BACK PANEL V SERIES RECESS BOTTOM	1
22	CST00983	BACK PANEL V6 LOGO	1

No.	Part No	Description	Qty
-----	---------	-------------	-----