

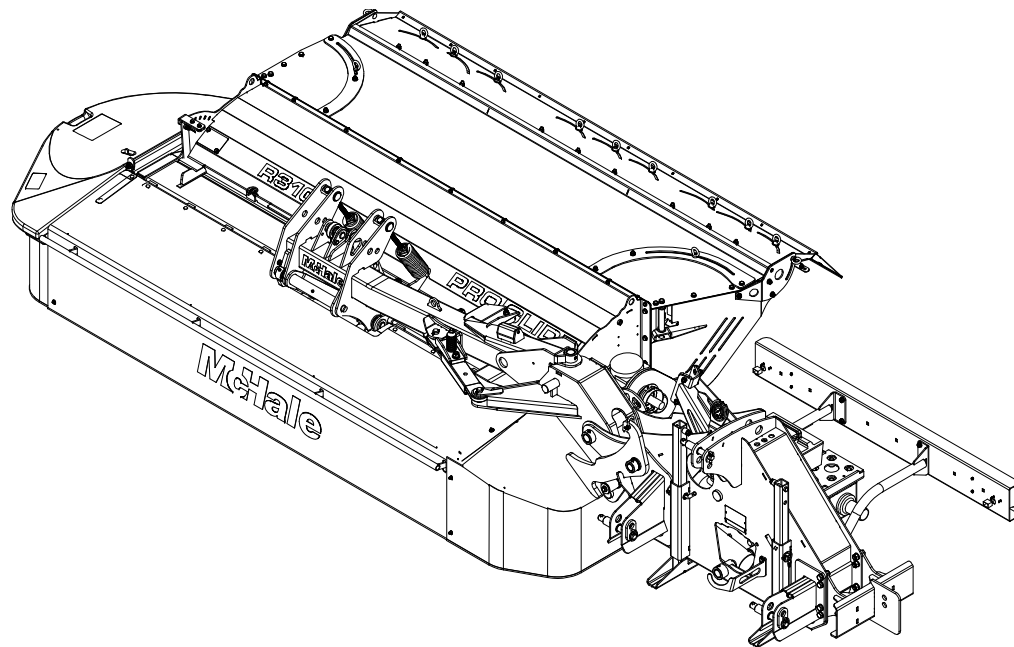
McHale PRO GLIDE



QUALITY

I.S. EN ISO 9001:2015

NSAI Certified



PRO GLIDE R3100 Spare Parts Book

McHale,
Ballinrobe,
Co. Mayo, Ireland.

Tel: +353 94 9520300

Fax: +353 94 9520356

Email: sales@mchale.net

Website: www.mchale.net

This page is intentionally left blank

Introduction

The **McHale PRO GLIDE R3100** which you have purchased has been developed through years of constant research and development. Given proper care and attention the **PRO GLIDE R3100** will give years of reliable and dependable performance. However it is important that the operators manual is read and fully understood to achieve this, **before** the machine is operated. As part of this philosophy it is vital to use only **genuine McHale** replacement parts, as these are manufactured to the same high standard as the original machine. These may be obtained through your **McHale** dealer.

If any part of this manual is not fully understood, please contact your **McHale** dealer who will be able to answer any questions or queries that you might have. It is important to quote the machine serial number when requiring spare parts or technical assistance. Space is provided below to record the machine details:

Serial number:	
Year of manufacture:	
Date of delivery:	

If you require further copies of this spare parts manual please
quote part number CLT00886

Note: Parts described as left and right are done so according to the direction that the machine normally travels in.

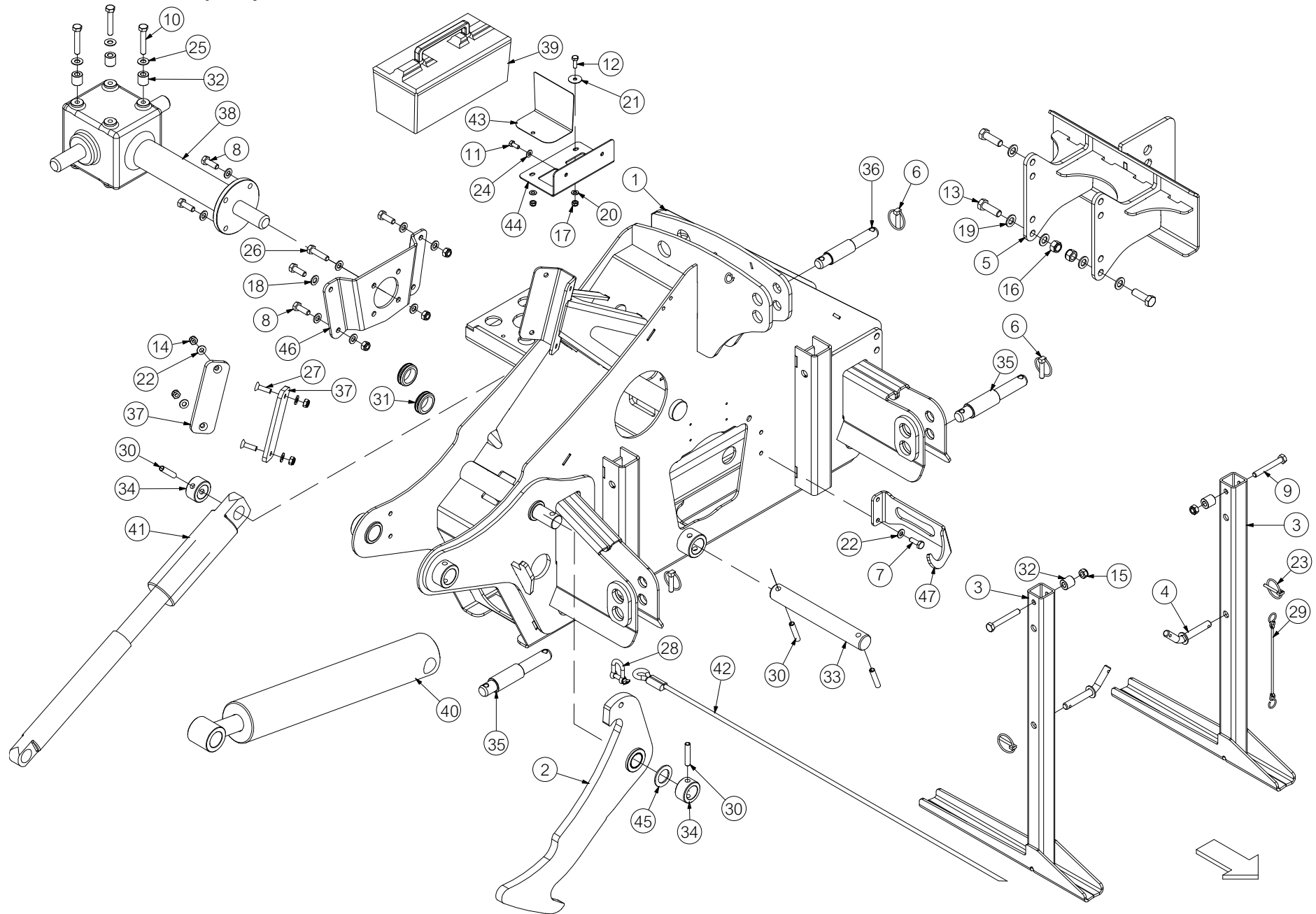
Note: Due to a policy of continuous product development and improvement *McHale Engineering* reserve the right to alter machine specifications without prior notice.

Contents

Section	Page	Document	Section	Page	Document
PRO GLIDE R3100					
Headstock frame (983)	6	SPD00983			
PTO shaft primary (1017)	8	SPD01017			
PTO shaft secondary (1018)	10	SPD01018			
Suspension arm RH (984)	12	SPD00984			
Main frame RH (985)	14	SPD00985			
Cutterbar RH (982)	16	SPD00982			
Discharge unit RH (986)	18	SPD00986			
Panels (987)	20	SPD00987			
Hydraulic components (988)	22	SPD00988			
Electrical lighting (989)	24	SPD00989			

This page is intentionally left blank

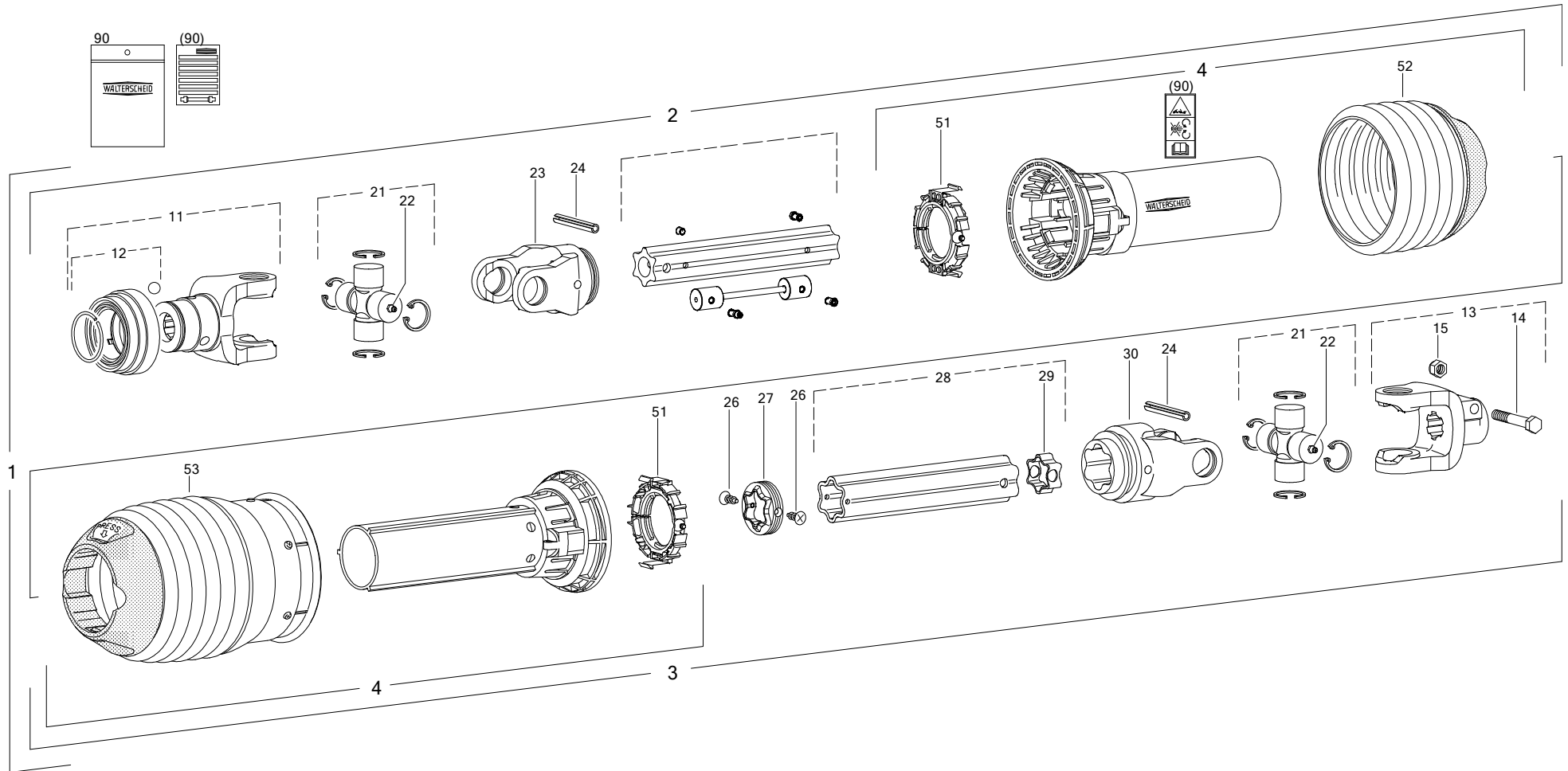
Headstock frame (983)



No.	Part No	Description	Qty
1	ACH01445	REAR MOWER STD FRAME WELD ASSY	1
2	ALA00715	SAFETY LATCH SIDE MOUNT MOWER	1
3	ALA00719	MOWER PARKING STAND WELD ASSY	2
4	ALA00747	PIN ASSY MOWER STAND	2
5	ALA00774	WEIGHT BRACKET REAR MOWER	1
6	CFA00005	LINCH PIN 10MM	3
7	CFA00025	SETSCREW M10X30	2
8	CFA00033	SETSCREW M12X35 Z/P	6
9	CFA00034	BOLT M12X90 Z/P	2
10	CFA00036	SETSCREW M12X70 Z/P	4
11	CFA00052	SETSCREW M8X20 Z/P	2
12	CFA00102	SETSCREW M8X25 Z/P	2
13	CFA00116	BOLT M16X50 Z/P	8
14	CFA00123	NUT M10 NYLOC	4
15	CFA00124	NUT M12 NYLOC	10
16	CFA00128	NUT M16 NYLOC	8
17	CFA00132	NUT M8 NYLOC Z/P	2
18	CFA00138	WASHER FLAT 12MM Z/P	16
19	CFA00140	WASHER FLAT 16MM Z/P	16
20	CFA00147	WASHER FLAT 8MM Z/P	3
21	CFA00149	WASHER MUDWING M8X31.75OD	1
22	CFA00201	WASHER FLAT 10 MM Z/P	6
23	CFA00202	LINCH PIN 6MM	2
24	CFA00249	WASHER SKM8	2
25	CFA00250	WASHER SKM12	4
26	CFA00270	SETSCREW M12X50 Z/P	2
27	CFA00290	SETSCREW M10X30 CSK HEX Z/P	4
28	CFA00457	D SHACKLE 0.375 GALVANISED	1
29	CFA00476	RUBBER STRAP 240 MM	2
30	CFA00504	ROLL PIN 12X60 ZP	4
31	CFA02342	GROMMET 44.3X38.1X6.4	2
32	CMH00745	BUSH 12X25X25	6
33	CMH01616	SHAFT 40X300 Z/P	1
34	CMH01622	BUSH 40X60X30 Z/P	2
35	CMH01644	PIN CAT 2/3 LOWER LINK	2
36	CMH01645	PIN CAT 2/3 UPPER LINK	1
37	CMH01712	10MM WEAR PLATE TRANSPORT LATCH	2
38	CMT00406	GEARBOX REAR MOWER 625MM INPUT	1
	<i>REPLACES CMT00374</i>		
39	CPL00222	TOOL BOX PLASTIC (SERKO)	1
40	CRA00817	LIFT RAM R3100 CUSHIONED	1
	<i>REPLACES CRA00772</i>		
41	CRA00775	RAM SIDE MOUNT MOWER FLOTATION	1
42	CTP00491	PULL ROPE MOWER TRANSPORT LATCH	1
43	CZB00303	1.5MM TOOL BOX DIVIDER	1
44	CZC02559	3MM TOOLBOX BRACKET FUSION VARIO	1
45	CZC02614	3MM SPACER WASHER 35MM	1
46	CZD05037	4MM CARRIER GEARBOX BRACKET	1
	<i>REPLACES CZF06996</i>		

No.	Part No	Description	Qty
47	CZF07115	6MM PTO STAND MOWER	1

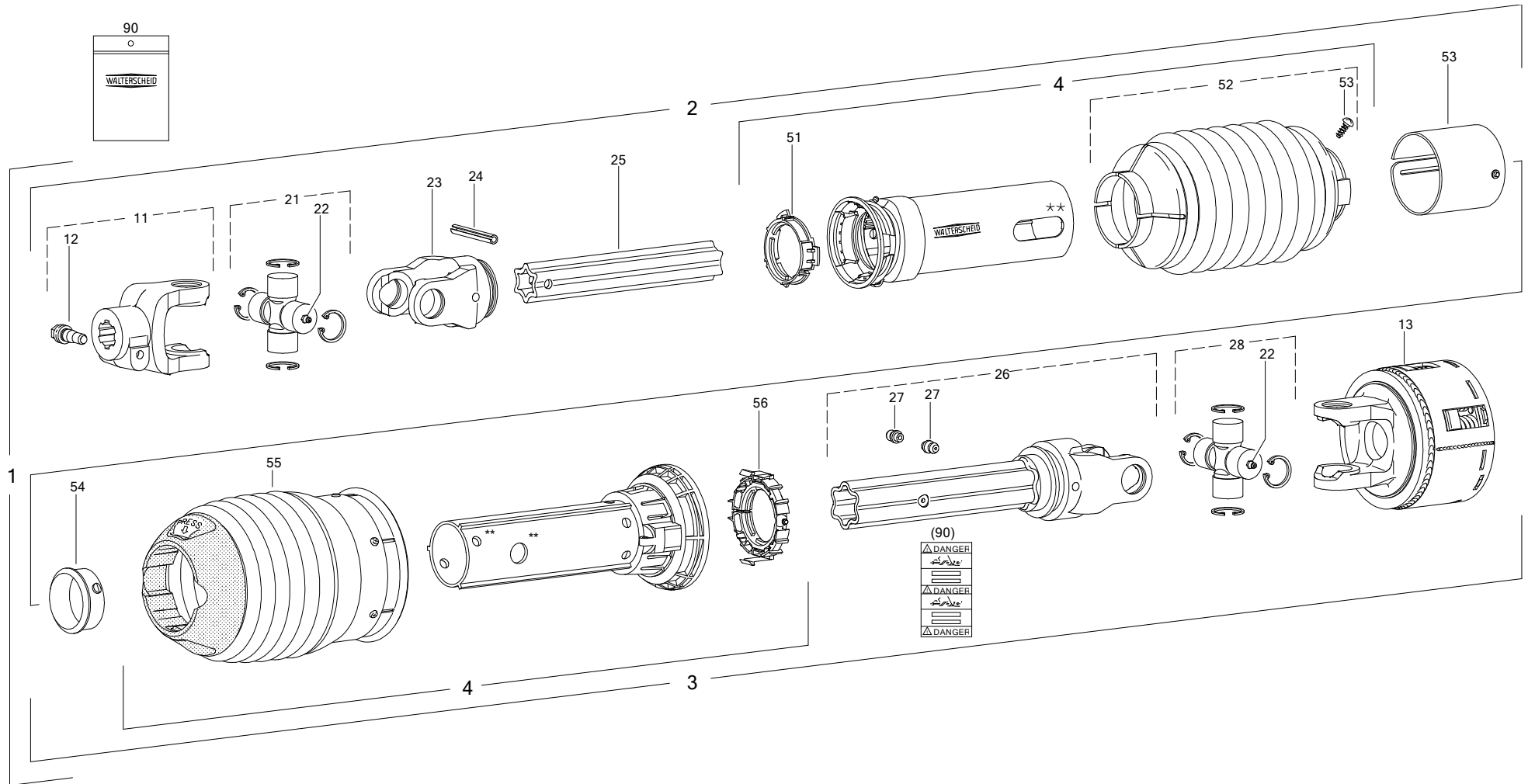
PTO shaft primary (1017)



No.	Part No	Description	Qty
1	CMT00391	PTO SHAFT REAR MOWER MAINDRIVE	1
2	CMT00431	PTO HALF SHAFT CMT00391 INNER	1
3	CMT00432	PTO HALF SHAFT CMT00391 OUTER	1
4	CGD00432	PTO GUARD PRIMARY SHAFT MOWERS	1
<i>INNER & OUTER GUARDS</i>			
11	CMT00435	YOKE COMPLETE 6 SPLINE LONG QS	1
<i>SUITABLE FOR PTO TRACTOR 6 SPLINE STUBSHAFT ONLY</i>			
11	CMT00504	YOKE END 21 SPLINE MOWER SHAFT	1
<i>SUITABLE FOR PTO TRACTOR 21 SPLINE STUBSHAFT ONLY</i>			
12	CMT00436	LOCK COMPLETE QS TYPE C P400 PTO SHAFT	1
13	CMT00437	CLAMP YOKE COMPLETE AGKF2400 PTO SHAFT	1
14	CFA00928	BOLT M12X75 8.8 Z/P DIN931	1
15	CFA00124	NUT M12 NYLOC	1
21	CMT00091	UNIVERSAL JOINT PTO CROSS 3500	2
22	CFA00097	GREASE NIPPLE PTO SHAFT	2
23	CMT00439	INBOARD YOKE RG2400-S4 PTO SHAFT	1
24	CFA00629	ROLL PIN 10X80 PTO SHAFT	2
26	CFA01134	SCREW 6X14 P400-PG25 PTO SHAFT	2
27	CMT00440	SEALING RING OUTER PROFILE S5 P400 PTO	1
28	CMT00441	PROFILE TUBE S5H 1000 PTO SHAFT P400	1
29	CMT00442	PLUG PROFILE S5 PTO SHAFT P400	1
30	CMT00443	INBOARD YOKE RG 2400-S5 PTO P400	1
51	CMT00242	PTO GUARD RING	2
52	CMT00241	PTO GUARD CONE	1
53	CMT00444	GUARD CONE PTO SHAFT P400	1
90	CST00132	DECAL WARNING PTO SHAFT	1

No.	Part No	Description	Qty
-----	---------	-------------	-----

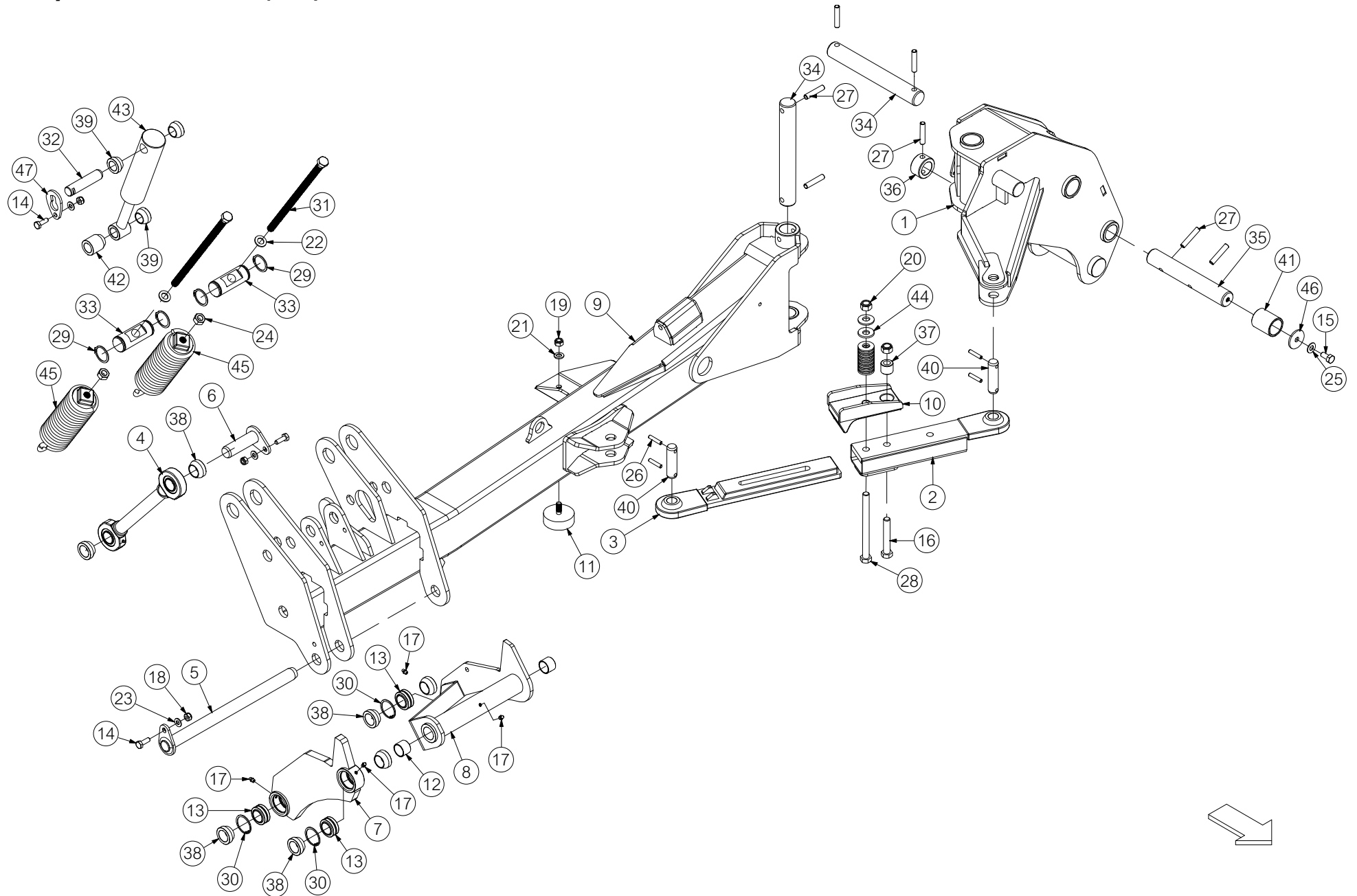
PTO shaft secondary (1018)



No.	Part No	Description	Qty
1	CMT00392	PTO SHAFT REAR MOWER SECONDARY	1
2	CMT00433	PTO HALF SHAFT CMT00392 INNER	1
3	CMT00434	PTO HALF SHAFT CMT00392 OUTER	1
4	CGD00434	PTO GUARD SECONDARY REAR COMPLETE	1
<i>INNER & OUTER GUARDS</i>			
11	CMT00448	YOKE WITH CC LOCK AGCC2500 PTO SHAFT	1
12	CMT00158	CLAMP PIN BALER PTO SHAFT 7540	1
13	CMT00449	CLUTCH FRICTION OVERRUN FK964R2400 RH PTO	1
13a	CMT00400	CLUTCH KIT WALTERSCHEID C4 SERIES	1
<i>CLUTCH REPAIR KIT COMPRISING OF 2 + 4 WEAR DISCS FOR CMT00269</i>			
13b	CMT00388	CLAMP PIN C3-C4 PTO SHAFT 8494	1
<i>BOLT-PIN TO SECURE 1% PTO SHAFT TO PTO STUB ON MACHINE GEARBOX</i>			
13c	CMT00422	CLAMP RING FRICTION CLUTCH 1 $\frac{3}{8}$	1
<i>CLAMP RING TO SECURE 1% PTO SHAFT TO PTO STUB ON MACHINE GEARBOX</i>			
13d	CMT00423	SPLIT PIN FOR CLAMP RING	1
<i>ROLL PIN TO SECURE CLAMP RING</i>			
21	CMT00240	UNIVERSAL JOINT PTO 2500 P	1
22	CFA00097	GREASE NIPPLE PTO SHAFT	2
23	CMT00450	INBOARD YOKE RG2500-S4 PTO SHAFT	1
24	CFA00871	ROLL PIN 10X90	1
25	CMT00451	TUBE PROFILE S4LH-680 PTO SHAFT	1
26	CMT00452	SHAFT & YOKE ASM 2400 S5H-600 PTO	1
27	CMT00453	FITTING GREASE DRIVE-IN TYPE 4-6 PTO	2
28	CMT00091	UNIVERSAL JOINT PTO CROSS 3500	1
51	CMT00095	BEARING RING SMALL FUSION PTO	1
52	CMT00454	GUARD CONE RIBBED PK500-400 PTO SHAFT	1
53	CMT00455	COVER PK500-400 PTO SHAFT	1
54	CMT00456	BEARING RING PK500-400 PTO SHAFT	1
55	CMT00457	CONE ADAPTOR 367MM PK500-400 PTO	1
90	CST00132	DECAL WARNING PTO SHAFT	1

No.	Part No	Description	Qty
-----	---------	-------------	-----

Suspension arm RH (984)



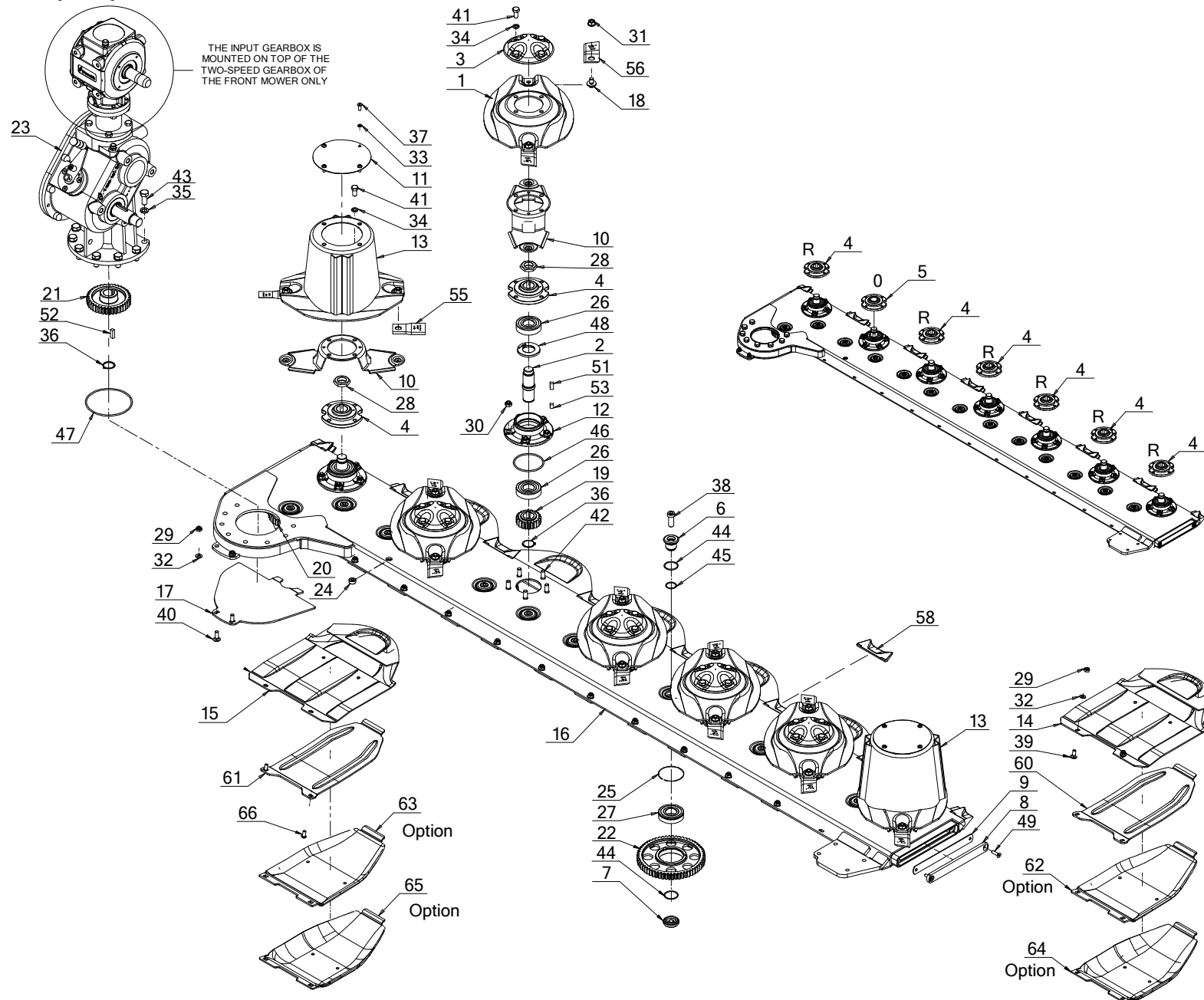
No.	Part No	Description	Qty
1	ACH01429	REAR MOWER PIVOT ARM WELD ASSY	1
2	ALA00717	BRAKE BACK TOP WELD ASSY	1
3	ALA00718	BRAKE BACK RELEASE BOTTOM WELD	1
4	ALA00725	LINK ARM SIDE MOUNT MOWER	1
5	ALA00730	PIN 30X445 WELD ON CAP	1
6	ALA00748	PIN 30X105 MOWER SUSPENSION	1
7	ALA00782	LINK ARM SIDE MOUNT MOWER	1
<i>INCLUDES ITEMS 13, 17 & 30</i>			
8	ALA00783	LINK ARM A FRAME MOWER	1
<i>INCLUDES ITEMS 12, 13, 17 & 30</i>			
9	ALA00791	MOWER SIDE ARM SUSPENSION WELD ASSY	1
10	CTP00496	BRAKE BACK TOP PLATE FORGED	1
<i>REPLACES ALA00825</i>			
11	CBE00275	BUFFER RUBBER 75X25 M12X30	1
12	CBR00007	BEARING GLACIER PM 3025 DX	2
13	CBR00127	BEARING SPHERICAL 30MM GE30ES 2RS	3
14	CFA00025	SETSCREW M10X30	3
15	CFA00031	SETSCREW M12X25 Z/P	1
16	CFA00040	BOLT M16X100 Z/P	1
17	CFA00118	GREASE NIPPLE M8X1.25 STRAIGHT	4
18	CFA00123	NUT M10 NYLOC	3
19	CFA00124	NUT M12 NYLOC	1
20	CFA00128	NUT M16 NYLOC	2
21	CFA00138	WASHER FLAT 12MM Z/P	1
22	CFA00252	WASHER SKM16	2
23	CFA00201	WASHER FLAT 10 MM Z/P	3
24	CFA00231	NUT M16 Z/P	2
25	CFA00250	WASHER SKM12	1
26	CFA00380	ROLL PIN 8X40 Z/P	4
27	CFA00504	ROLL PIN 12X60 Z/P	7
28	CFA00621	BOLT M16X190 Z/P	1
29	CFA01079	CIRCLIP 40MM EXTERNAL STAINLESS STEEL	4
30	CFA01083	CIRCLIP 50MM INTERNAL	3
31	CFA01089	BOLT M16X340 Z/P	2
32	CMH00443	PIN 25 X 110 MILLED FOR CAP Z/P	1
33	CMH01593	PIN 40X105 Z/P	2
34	CMH01616	SHAFT 40X300 Z/P	2
35	CMH01618	SHAFT 40X263 Z/P	1
36	CMH01622	BUSH 40X60X30 Z/P	1
37	CMH01626	BUSH 17X30X25 Z/P	1
38	CMH01641	BUSH 30X45X21 Z/P	10
39	CMH01643	BUSH 25X40X21 Z/P	3
40	CMH01646	PIN 25X90 8MM CROSS HOLE Z/P	2
41	CMH01685	BUSH 40X50X60 Z/P	1
42	CMH01718	BUSH 25X40X47 Z/P	1
43	CRA00769	RAM MOWER SUSPENSION	1
44	CSG00275	SPRING BELVILLE HEAVY DUTY	18
45	CSG00298	MOWER REAR SUSPENSION SPRING	2
46	CZD03017	4MM L WASHER 12.5X50X4 Z/P	1

No.	Part No	Description	Qty
47	CZF00293	6MM L CAP SHORT FOR 25MM PINS	1

No.	Part No	Description	Qty
1	ACH02838	MOWER CUTERBAR MOUNTING BRACKET	1
2	ACH02840	MOWER CONDITIONER BAFFLE WELD ASS	1
3	ACH02843	MOWER CONDITIONER COMPLETE ASSEMBLY	1
<i>INCLUDES ITEMS 6, 19, 40, 57 & 58</i>			
4	ACH02856	REAR MOWER CHASSIS WELD ASS	1
5	ACH03089	MOWER CONDITIONING HOOD 3M	1
<i>REPLACES ACH02861</i>			
6	ACH02952	MOWER RHS CONDITIONER	1
7	AGD00048	MOWER CONDITIONER SHAFT GUARD	1
8	ALA00748	PIN 30X105 MOWER SUSPENSION	3
9	CBR00126	BEARING SQ FLANGE 40MM ESFE 208 (SNR)	1
10	CBR00127	BEARING SPHERICAL 30MM GE30ES 2RS	1
11	CFA00023	SETSCREW M10X20 Z/P	2
12	CFA00025	SETSCREW M10X30	12
13	CFA00032	SETSCREW M12X30 Z/P	8
14	CFA00040	BOLT M16X100 Z/P	2
15	CFA00052	SETSCREW M8X20 Z/P	4
16	CFA00102	SETSCREW M8X25 Z/P	2
17	CFA00123	NUT M10 NYLOC	12
18	CFA00126	NUT M14 NYLOC	4
19	CFA00128	NUT M16 NYLOC	50
20	CFA00129	NUT M20 NYLOC	1
21	CFA00132	NUT M8 NYLOC Z/P	6
22	CFA00140	WASHER FLAT 16MM Z/P	4
23	CFA00147	WASHER FLAT 8MM Z/P	10
24	CFA00201	WASHER FLAT 10 MM Z/P	28
25	CFA00229	SETSCREW M16X35 Z/P	8
26	CFA00249	WASHER SKM8	2
27	CFA00250	WASHER SKM12	8
28	CFA00251	WASHER SKM10	2
29	CFA00306	SETSCREW M14X45 Z/P	4
30	CFA00319	GRUBSCREW M8X20	1
31	CFA00395	BOLT M20X120 Z/P	1
32	CFA00398	SETSCREW M14X30 Z/P	4
33	CFA00506	SETSCREW M8X20 CUPHEAD SQ ZP	2
34	CFA00783	WASHER NL16 NORD-LOCK	13
35	CFA01030	WASHER M14 NORDLOCK	12
36	CFA01034	BOLT M16X70 Z/P GRADE 8.8	4
37	CFA01076	KEY 12X8X50	1
38	CFA01086	JUBILEE CLIP 110MM-130MM	1
39	CFA02300	M12 INDEX PLUNGER	1
40	CFA02305	BOLT CUPHEAD M16X47 12.9	48
41	CFA02306	SETSCREW M16X20 SOC CAP 10.9 Z/P	4
42	CMH01951	PIN 25 X 140 MILLED FOR CAP Z/P	1
<i>REPLACES CMH00675</i>			
43	CMH01028	BUSH 17X30X39	4
44	CMT00356	MOWER CUTTERBAR WELD ASM RH	1
45	CMT00365	COUPLING JAW (STANDARD 48)105 OD	1
46	CMT00366	COUPLING SPIDER 48-98 SHORE	1

No.	Part No	Description	Qty
47	CMT00367	COUPLING JAW (FLANGE MOUNTING 48)105 OD	1
48	CMT00380	GEARBOX REAR MOWER 2 SPEED	1
49	CTP00505	MOWER CONDITIONER SEAL	1
<i>REPLACES ACH02844</i>			
50	CTP00585	PTO GUARD 115MM DIA	1
<i>REPLACES CGD00392</i>			
51	CZB02532	1.5MM L MOWER GUARD	1
52	CZB02596	1.5MM L PLATE MOWER COVER	1
53	CZC03826	3MM L CONDITIONER BAFFLE	4
54	CZC05585	3MM MOWER GUARD BRKT	1
55	CZF00293	6MM L CAP SHORT FOR 25MM PINS	1
56	CZF07383	6MM L MOWER CONDITIONER HANDLE	1
57	CZF08035	6MM L MOWER CONDITIONER TINE	44
<i>REPLACE IN BALANCED PAIRS 180° APART AT ANY POSITION OF THE DRUM (REPLACES CZF07385)</i>			
58	CZF08722	6MM L MOWER CONDITIONER TINE (SHORT)	4
<i>REPLACE IN BALANCED PAIRS 180° APART ON THE DRUM ENDS ONLY (REPLACES CZF07397)</i>			
59	KST00103	COUPLING JAW+SPIDER KIT MOWER	1
<i>INCLUDES ITEMS 10, 13, 27, 30, 37, 45, 46, 47 & GEARBOX SHAFT SEAL CSE00633</i>			

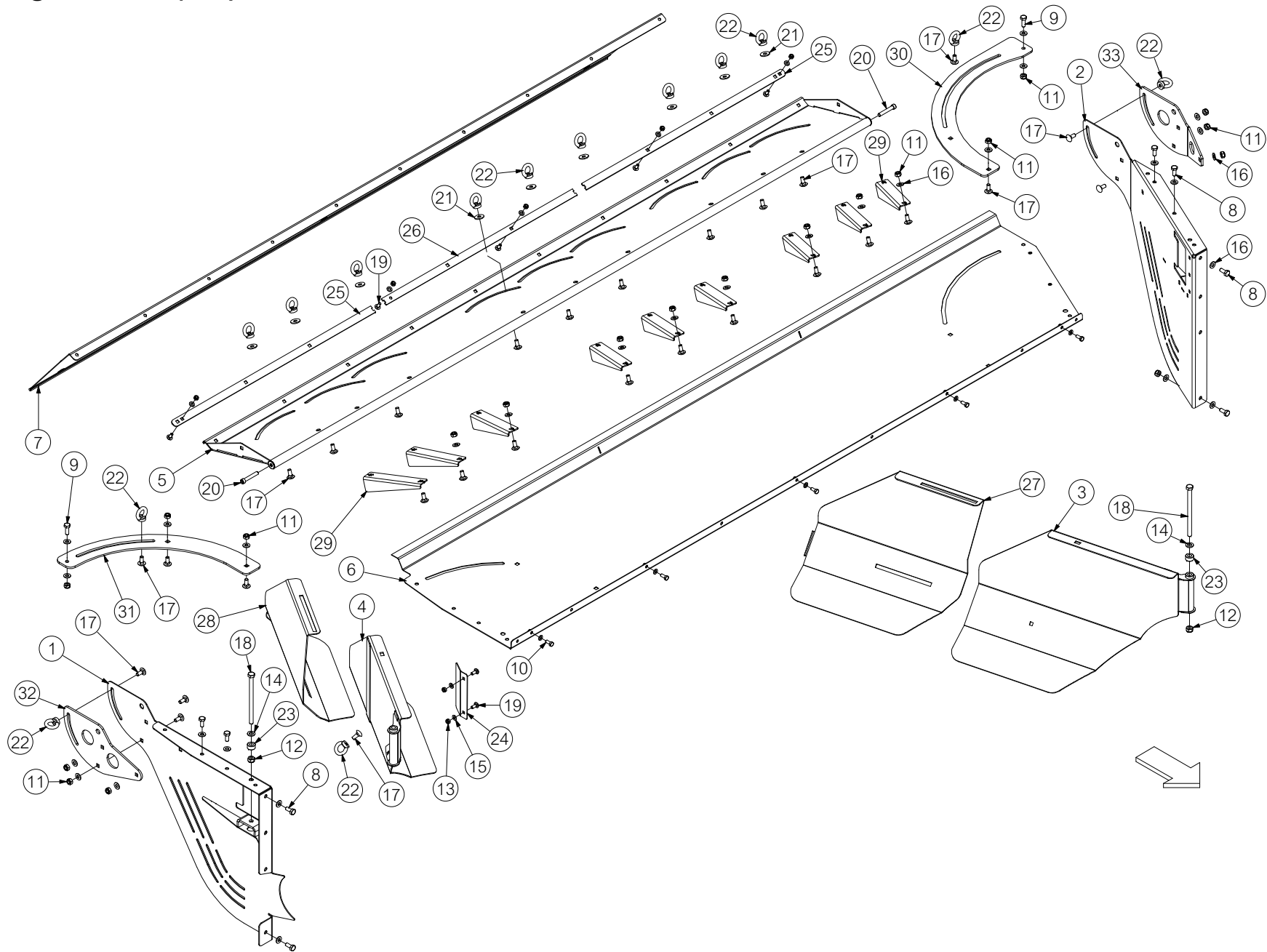
Cutterbar RH (982)



No.	Part No	Description	Qty
1	ART00376	MOWER DISK W/SPLINED HOLE	5
<i>UP TO SERIAL No 1002499 (INCLUDES ITEMS 18 & 31)</i>			
1	ART00386	MOWER DISC W/SQ STUD HOLE	5
<i>FROM SERIAL No 1002500 (INCLUDES ITEMS 18 & 31)</i>			
2	CMH01691	SHAFT PINION L120 MOWER HUB	7
3	CZB00304	COVER CAP DISC MOWER	5
4	AAX00001	DISC HUB ASM UPPER (R)	6
5	AAX00002	DISC HUB ASM UPPER (O)	1
6	CMH01696	IDLER HOLDER UPPER MOWER BED	13
7	CMH02764	IDLER HOLDER LOWER MOWER	13
8	CMH01742	BAR CLOSURE 2X CSK HOLES MOWER BED	1
9	CBE00335	GASKET BAR RUBBER MOWER BED	1
10	CZE00293	KNIFE HOLDER MOWER 5MM	7
<i>UP TO SERIAL No 1002499</i>			
10	CZE00318	KNIFE HOLDER MOWER	7
<i>FROM SERIAL No 1002500</i>			
11	CZB00305	CAP COVER DISC OUTER DRUM MOWR	2
12	CMH01743	DISC HUB ASM LOWER MOWER BED	7
13	ART00375	MOWER DISC WITH OUTER DRUM	2
<i>UP TO SERIAL No 1002499 (INCLUDES ITEMS 18 & 31)</i>			
13	ART00385	MOWER DISC WITH OUTER DRUM	2
<i>FROM SERIAL No 1002500 (INCLUDES ITEMS 18 & 31)</i>			
14	ACH01473	MAIN SLIDE DISC MOWER	6
<i>UP TO SERIAL No 1002499</i>			
14	ACH01562	MAIN SLIDE WITH SKID PAD SLOT	6
<i>UP TO SERIAL No 1002499 (80 MM SLOT)</i>			
14	ACH01619	MAIN SLIDE DISC MOWER W/SLOT	6
<i>FROM SERIAL No 1002500 (96 MM SLOT)</i>			
15	ACH01474	SLIDE UNDER G-BOX DISC MOWER	1
<i>UP TO SERIAL No 1002499</i>			
15	ACH01563	SLIDE G-BOX WITH SKID PAD SLOT	1
<i>UP TO SERIAL No 1002499 (80 MM SLOT) ALSO ORDER 2X ITEM 66</i>			
15	ACH01620	SLIDE UNDER GBOX MOWER W/SLOT	1
<i>FROM SERIAL No 1002500 (96 MM SLOT)</i>			
16	CMT00356	MOWER CUTTERBAR WELD ASM RH	1
17	CZE00294	SKID UNDER GBOX DISC MOWER	1
18	CMH01692	PIN KNIFE HOLDER STUD SPLINED	14
<i>UP TO SERIAL No 1002499</i>			
18	KST00084	KIT SPLINE W/HOOK & SPRING PLATES	1
<i>UP TO SERIAL No 1002499 (CONV KIT TO SPLINED HOOK PINS) FOR REPLACEMENT PINS ORDER CMH02881</i>			
18	CMH01840	PIN KNIFE HOLDER HOOK W/SQ	14
<i>FROM SERIAL No 1002500</i>			
19	CMH01698	GEAR 20T WORK DISC MOWER BED	7
20	CMH01699	GEAR 38T IDLER MOWER BED	1
21	CMH01693	GEAR 38T GBOX DRIVE MWR BED	1
22	CMH01697	GEAR 60T IDLER MWR BED	12
23	CMT00360	GEARBOX FRONT MWR 2 SPD CONDR +INPUT GBOX	1
<i>USED ON FRONT MOWER F3100 ONLY & INCLUDES INPUT GEARBOX DRIVE</i>			
23	CMT00380	GEARBOX REAR MWR 2 SPD CONDR	1
<i>USED ON RH REAR MOWER R3100 ONLY & EXCLUDES INPUT GEARBOX DRIVE</i>			
24	CFA01085	PLUG OIL INLET HEX M22X1.5 MWR BED	1
25	CFA01109	RETAINING RING 6307N BEARING	13

No.	Part No	Description	Qty
26	CBR00294	BEARING 6307 2RS C3	14
27	CBR00335	BEARING 6307 2RS N SNAP-RING	13
28	CFA01116	NUT LOCK-HALF M30X1.5 MWR 8.8 Z/P	7
29	CFA00123	NUT M10 NYLOC Z/P	14
30	CFA00124	NUT M12 NYLOC	35
31	CFA00439	NUT M12 FLANGED HEAD 10.9 Z/P	14
32	CFA00201	WASHER FLAT 10MM Z/P	14
33	CFA00185	WASHER SPRING 8MM ZP	8
34	CFA00623	WASHER SPRING 12MM LIGHT Z/P	28
35	CFA00252	WASHER SKM16	8
36	CFA00514	CIRCLIP 35MM EXTERNAL	8
37	CFA00429	SCREW M8X20 BTN HEAD SOC HX ZP	8
38	CFA01110	BOLT M16X40 ALLEN HD 10.9	13
39	CFA00442	SETSCREW M10X25 CUP SQ ZP	12
40	CFA00017	SETSCREW M10X30 CUP SQ ZP	2
41	CFA00031	SETSCREW M12X25 ZP	28
42	CFA01115	BOLT M12X30 KNURLED 10.9 Z/P MOWER	35
43	CFA00229	SETSCREW M16X35 Z/P	8
44	CSE00645	SEAL O RING OS 30X2.5 MOWER	26
45	CSE00645	SEAL O RING OS 30X2.5 MOWER	13
46	CSE00638	SEAL O RING OS 90X4	7
47	CFA02340	LOCTITE SI 5926 40ML NON SETTING GASKET	1
<i>APPLY A CONTINUOUS BEAD OF SEALANT TO FLAT MACHINED SURFACE AROUND EACH BOLT HOLE & CENTRE BORE</i>			
48	CSE00637	OIL SEAL AO 40X72X7 MOWER BED	7
49	CFA00593	SETSCREW M8X30 CSK ALLEN ZP	2
50	CFA01114	SETSCREW M10X20 CSK 8.8 Z/P ALLEN	2
51	CFA01111	KEY B 10X8X22 MOWER BED	7
52	CFA01112	KEY B 10x8x30 MOWER BED	1
53	CFA01082	KEY B 10x8x16 MOWER BED	7
55	KCN00036	MOWER BLADE 50X110 RIGHT HAND	8
56	KCN00037	MOWER BLADE 50X110 LEFT HAND	6
58	CTP00513	INSERT CUTTERBAR SKID FORGED	7
<i>REPLACEMENT WELD-IN INSERT</i>			
60	CTP00562	SKID PAD FLAT	6
<i>FROM SERIAL No 1002500</i>			
61	CTP00563	SKID PAD FLAT UNDER G/BOX	1
<i>FROM SERIAL No 1002500</i>			
62	CTP00564	HIGH CUT SKID +25MM	6
<i>FROM SERIAL No 1002500</i>			
63	CTP00565	HIGH CUT SKID +25MM UNDER GBOX	1
<i>FROM SERIAL No 1002500</i>			
64	CTP00511	MAIN SKID PAD FORMED +50MM	6
<i>UP TO SERIAL No 1002499 (79 MM TAB)</i>			
64	CTP00566	HIGH CUT SKID +50MM	6
<i>FROM SERIAL No 1002500 (95 MM TAB)</i>			
65	CTP00512	SKID PAD FORMED GEARBOX +50MM	1
<i>UP TO SERIAL No 1002499 (79 MM TAB)</i>			
65	CTP00567	HIGH CUT SKID +50MM UNDER GBOX	1
<i>FROM SERIAL No 1002500 (95 MM TAB)</i>			
66	CFA00243	SETSCREW M10X20 BUTTON HEAD ZP	2

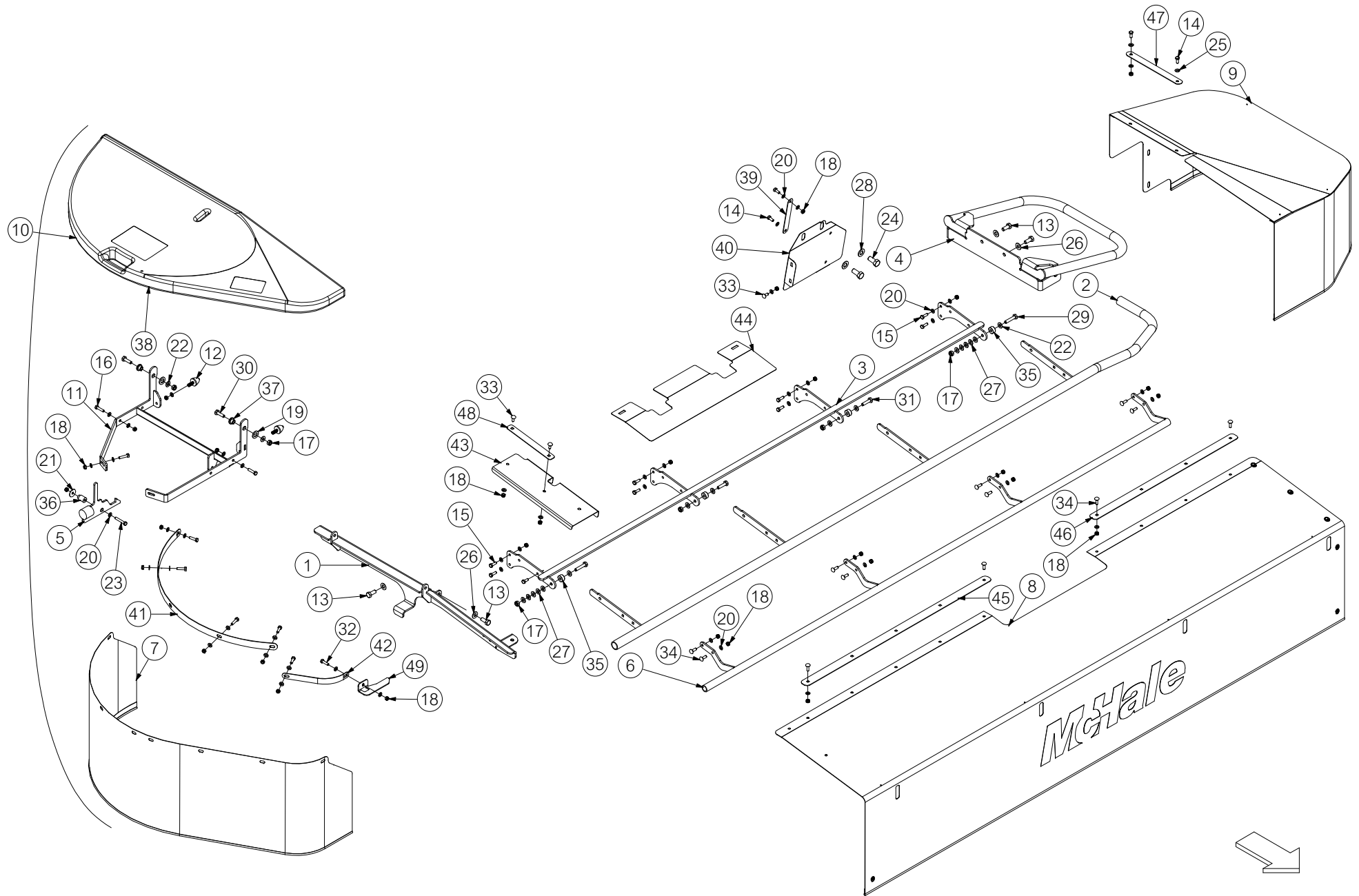
Discharge unit RH (986)



No.	Part No	Description	Qty
1	ACH01463	MOWER SIDE BOARD WELD RHS	1
2	ACH01464	MOWER SIDE BOARD WELD LHS	1
3	ACH02846	MOWER SWATH BOARD WELD LHS	1
4	ACH02847	MOWER SWATH BOARD WELD RHS	1
5	ACH02867	MOUNTED MOWER DISCHARGE DEFLECTION PLATE	1
6	ACH02881	DISCHARGE UNIT REAR MOWER WELD	1
7	AGD00041	REAR MOWER DISCHARGE CURTAIN ASSY	1
8	CFA00024	SETSCREW M10X25 Z/P	10
9	CFA00025	SETSCREW M10X30	2
10	CFA00052	SETSCREW M8X20 Z/P	12
11	CFA00123	NUT M10 NYLOC	31
12	CFA00124	NUT M12 NYLOC	2
13	CFA00132	NUT M8 NYLOC Z/P	20
14	CFA00138	WASHER FLAT 12MM Z/P	2
15	CFA00147	WASHER FLAT 8MM Z/P	32
16	CFA00201	WASHER FLAT 10 MM Z/P	42
17	CFA00442	SETSCREW M10X25 CUP SQ	33
18	CFA00470	BOLT M12X180 Z/P	2
19	CFA00506	SETSCREW M8X20 CUPHEAD SQ ZP	9
20	CFA00664	BOLT M10X60 SOC CAP Z/P	2
21	CFA01056	WASHER 10MM DIN 9021 NYLON	9
22	CFA02312	M10 LIFTING EYE NUT DIN 582	15
23	CMH01680	BUSH 12X25X13	2
24	CZB02512	2MM L CROP FLOW DEFLECTION MOWER	1
25	CZC03919	3MM L MOWER CURTAIN STRIP	2
26	CZC03922	3MM L MOWER GUARD STRIP	1
27	CZC04878	3MM L SWATH BOARD EXTENSION LHS	1
28	CZC04883	3MM L SWATH BOARD EXTENSION RHS	1
29	CZC04884	3MM L CROP DEFLECTOR REAR MOWER	9
30	CZF07188	6MM L PLATE MOWER DISCHARGE	1
31	CZF07189	6MM L PLATE MOWER DISCHARGE	1
32	CZF07229	6MM SUPPORT PLATE REAR MOWER	1
33	CZF07230	6MM SUPPORT PLATE REAR MOWER	1

No.	Part No	Description	Qty
-----	---------	-------------	-----

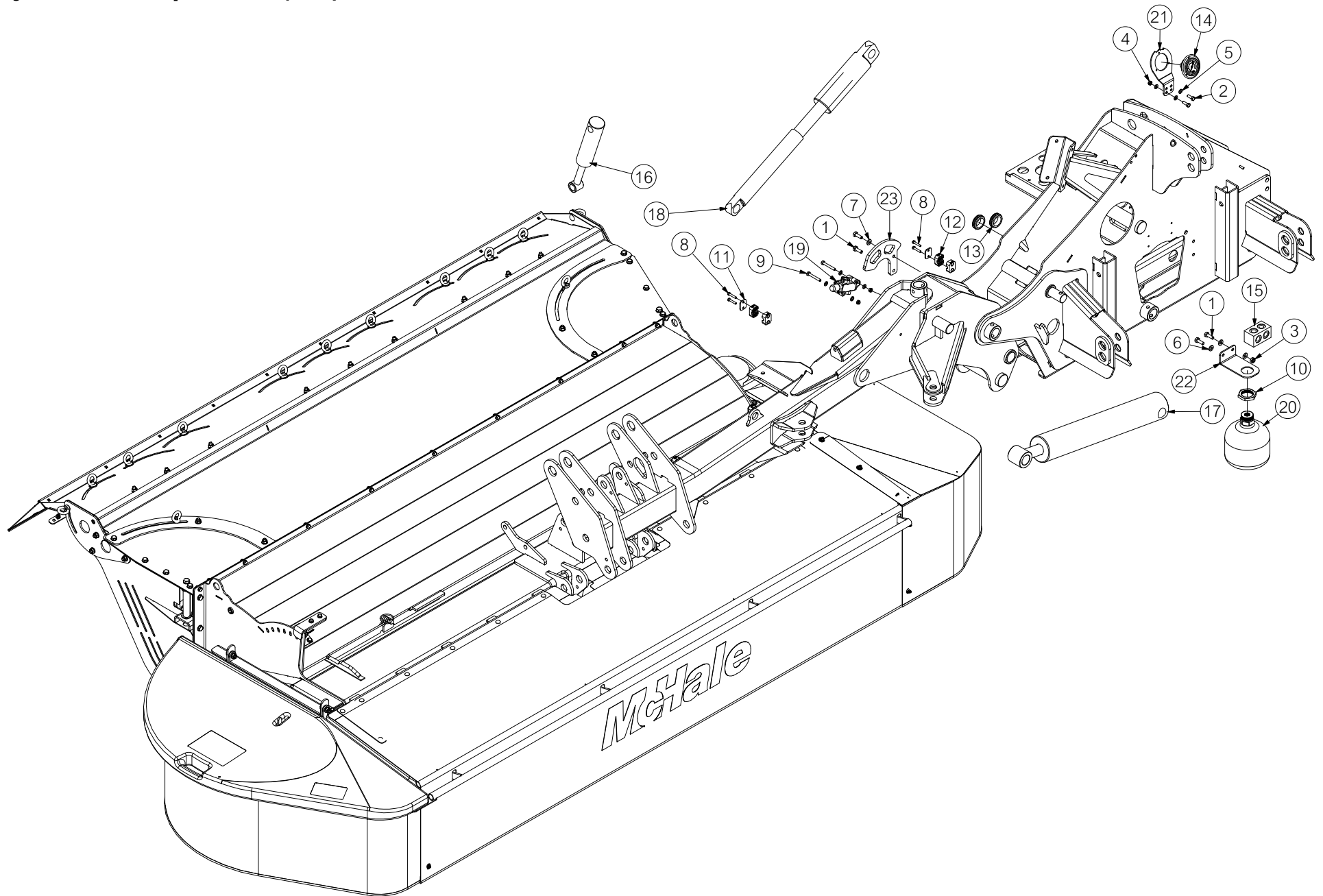
Panels (987)



No.	Part No	Description	Qty
1	ACH02884	GUARD MOUNT REAR MOWER RHS WELD	1
2	AGD00013	GUARD REAR RH MOWER	1
		<i>USED UP TO SERIAL No 1002693</i>	
2	AGD00087	GUARD REAR RH MOWER	1
		<i>USED FROM SERIAL No 1002694</i>	
3	AGD00015	MOWER GUARD	1
4	AGD00016	6MM L MOWER GUARD	1
5	AGD00017	MOWER GUARD GRAVITY LATCH	1
6	AGD00018	MOWER FRONT HAND RAIL	1
7	AGD00035	FRONT MOWER RHS CURTAIN ASSY	1
7a	AGD00120	TURNBUTTON + FASTENERS & EYELET	1
8	AGD00037	REAR MOWER FRONT CURTAIN ASSY	1
8a	AGD00120	TURNBUTTON + FASTENERS & EYELET	1
9	AGD00038	REAR MOWER LHS CURTAIN ASSY	1
		<i>USED UP TO SERIAL No 1002693</i>	
9	AGD00088	REAR MOWER INNER CURTAIN ASSY	1
		<i>USED FROM SERIAL No 1002694</i>	
9a	AGD00120	TURNBUTTON + FASTENERS & EYELET	1
10	AGD00059	REAR MOWER GUARD ASSY RHS	1
		<i>COMPLETE GUARD RH ASM INCLUDING FRAME, LATCH, CURTAIN & BUFFERS (BUT NOT HINGE BOLTS)</i>	
11	AGD00060	MOWER GUARD REAR FRAME RHS	1
12	CBE00028	BUFFER RUBBER 30X36 M8/27 57SH	2
13	CFA00032	SETSCREW M12X30 Z/P	5
14	CFA00052	SETSCREW M8X20 Z/P	6
15	CFA00102	SETSCREW M8X25 Z/P	8
16	CFA00107	SETSCREW M8X35 Z/P	6
17	CFA00123	NUT M10 NYLOC	6
18	CFA00132	NUT M8 NYLOC Z/P	48
19	CFA00140	WASHER FLAT 16MM Z/P	2
20	CFA00147	WASHER FLAT 8MM Z/P	68
21	CFA00149	WASHER MUDWING M8 31.75OD	1
22	CFA00201	WASHER FLAT 10 MM Z/P	8
23	CFA00210	SETSCREW M8X50 Z/P	1
24	CFA00229	SETSCREW M16X35 Z/P	2
25	CFA00249	WASHER SKM8	2
26	CFA00250	WASHER SKM12	5
27	CFA00251	WASHER SKM10	10
28	CFA00252	WASHER SKM16	2
29	CFA00310	BOLT M10X50 Z/P	2
30	CFA00311	SETSCREW M10X35 Z/P	2
31	CFA00312	SETSCREW M10X40 Z/P	2
32	CFA00491	SETSCREW M8X30 Z/P	5
33	CFA00506	SETSCREW M8X20 CUPHEAD SQ ZP	3
34	CFA00591	SETSCREW M8X25 CUPHEAD SQ ZP	18
35	CMH01329	BUSH 10X25X12	4
36	CMH02691	BUSH 20X15X50	1
37	CMH02724	BUSH 25X10.5X14 STEPPED	2
38	CPL00231	PLASTIC MOWER GUARD RHS	1
39	CZB02532	1.5MM L MOWER GUARD	1
40	CZB02533	1.5MM L MOWER GUARD	1

No.	Part No	Description	Qty
41	CZB02545	2MM L FRONT MOWER CURTAIN STRIP	1
42	CZB02547	2MM L FRONT MOWER CURTAIN STRIP 2 HOLE	1
43	CZB02548	1.5MM L MOWER GUARD	1
44	CZB02560	1.5MM MOWER GUARD	1
45	CZB02591	2MM L MOWER GUARD STRIP	1
46	CZB02592	2MM L MOWER GUARD STRIP	1
47	CZB02593	2MM L MOWER GUARD STRIP	1
48	CZB02594	2MM L MOWER GUARD STRIP	1
49	CZC05155	3MM CROP DEFLECTOR MOWER RHS	1

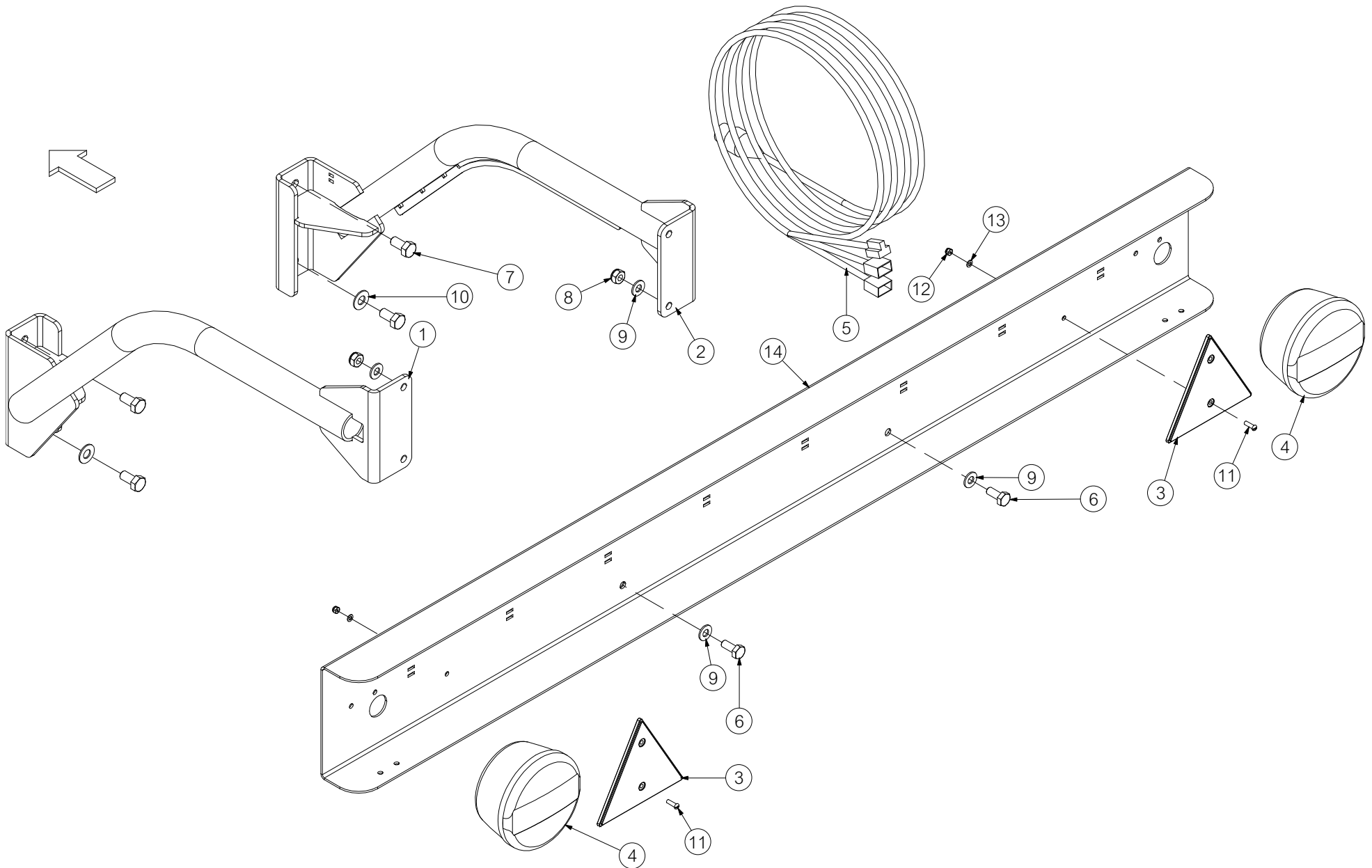
Hydraulic components (988)



No.	Part No	Description	Qty
1	CFA00792	SETSCREW M10X30 BUTTON HEAD Z/P	4
2	CFA00102	SETSCREW M8X25 Z/P	2
3	CFA00123	NUT M10 NYLOC	2
4	CFA00132	NUT M8 NYLOC Z/P	4
5	CFA00147	WASHER FLAT 8MM Z/P	8
6	CFA00201	WASHER FLAT 10 MM Z/P	4
7	CFA00251	WASHER SKM10	2
8	CFA00253	SETSCREW M6X35 Z/P	8
9	CFA00340	BOLT M8X60 Z/P	2
10	CFA01074	NUT M45X1.5 2L ACCUMULATOR FIXING	1
11	CFA01093	COVER PLATE STANDARD SERIES SIZE 2	4
12	CFA01094	HOSE CLAMP BODY 13.5MM	8
13	CFA02342	GROMMET 44.3X38.1X6.4	2
14	CHY00133	GAUGE PRESSURE 63DIA FLANGE	1
15	CMH01717	ACCUMULATOR BLOCK REAR MOWER	1
16	CRA00769	RAM MOWER SUSPENSION	1
17	CRA00834	LIFT RAM R3100 CUSHIONED	1
<i>REPLACES CRA00817 & CRA00772</i>			
18	CRA00775	RAM SIDE MOUNT MOWER FLOTATION	1
19	CVA00431	VALVE DIVERTER NO 2WAY CAM	1
19a	REP00078	REPAIR KIT ROLLER FOR CVA00431	1
<i>REPAIR KIT INCLUDES ROLLER, PIN & SPLIT PIN FOR VALVE CVA00431 PLUS REPLACEMENT CAM PLATE (ITEM 23)</i>			
19b	REP00077	R3100 CUTTER UNIT FLOW CTL KIT	1
<i>CONTROLS DESCENT FROM HEADLAND POSITION BACK TO CUTTING ON MOWERS PRIOR TO SERIAL No 1002375</i>			
20	CVA00670	ACCUMULATOR 2 L 100 BAR	1
21	CZD02945	4MM PRESSURE CLOCK MOUNTING	1
22	CZD02946	4MM ACCUMULATOR BRACKET MOWER	1
23	CZH05237	10MM CAM PLATE MOWER VALVE	1

No.	Part No	Description	Qty
-----	---------	-------------	-----

Electrical lighting (989)



No.	Part No	Description	Qty
0	ALA00780	LIGHT BRACKET COMP MOWER	1
<i>COMPLETE ASSEMBLY (INCLUDES ITEMS 1 THROUGH 14)</i>			
1	ALA00778	LIGHT BRACKET ARM MOWER LH	1
<i>ITEMS 1 & 2 MUST BE SOLD IN PAIRS ONLY AS THE DESIGN + LENGTH HAS CHANGED</i>			
2	ALA00779	LIGHT BRACKET ARM MOWER RH	1
<i>ITEMS 1 & 2 MUST BE SOLD IN PAIRS ONLY AS THE DESIGN + LENGTH HAS CHANGED</i>			
3	CEL00077	REFLECTOR REAR TRIANGULAR RED	2
4	CEL01501	TAIL LIGHT CIRCULAR LED, 2M	2
5	CEL01502	REAR MOWER LIGHTING LOOM, 3M	1
6	CFA00024	SETSCREW M10X25 Z/P	4
7	CFA00031	SETSCREW M12X25 Z/P	4
8	CFA00123	NUT M10 NYLOC	4
9	CFA00201	WASHER FLAT 10 MM Z/P	8
10	CFA00250	WASHER SKM12	4
11	CFA00288	SETSCREW M5X16 PAN HEAD Z/P	4
12	CFA00321	NUT M5 NYLOC	4
13	CFA00337	WASHER FLAT 5MM Z/P	4
14	CZC02613	3MM LIGHT BAR REAR MOWER	1

No.	Part No	Description	Qty
-----	---------	-------------	-----