

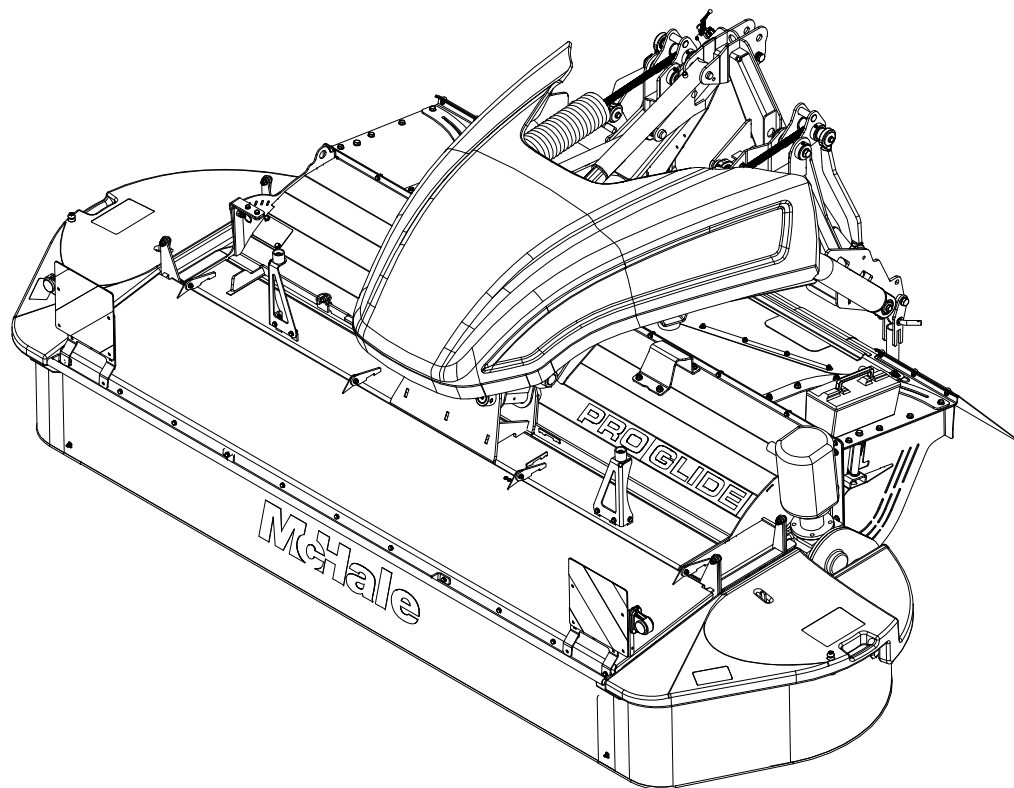
McHale PRO GLIDE



QUALITY

I.S. EN ISO 9001:2015

NSAI Certified



PRO GLIDE F3100 Spare Parts Book

McHale,
Ballinrobe,
Co. Mayo, Ireland.

Tel: +353 94 9520300

Fax: +353 94 9520356

Email: sales@mchale.net

Website: www.mchale.net

This page is intentionally left blank

Introduction

The **McHale PRO GLIDE F3100** which you have purchased has been developed through years of constant research and development. Given proper care and attention the **PRO GLIDE F3100** will give years of reliable and dependable performance. However it is important that the operators manual is read and fully understood to achieve this, **before** the machine is operated. As part of this philosophy it is vital to use only **genuine Mchale** replacement parts, as these are manufactured to the same high standard as the original machine. These may be obtained through your **McHale** dealer.

If any part of this manual is not fully understood, please contact your **McHale** dealer who will be able to answer any questions or queries that you might have. It is important to quote the machine serial number when requiring spare parts or technical assistance. Space is provided below to record the machine details:

Serial number:	
Year of manufacture:	
Date of delivery:	

If you require further copies of this spare parts manual please
quote part number CLT00905

Note: Parts described as left and right are done so according to the direction that the machine normally travels in.

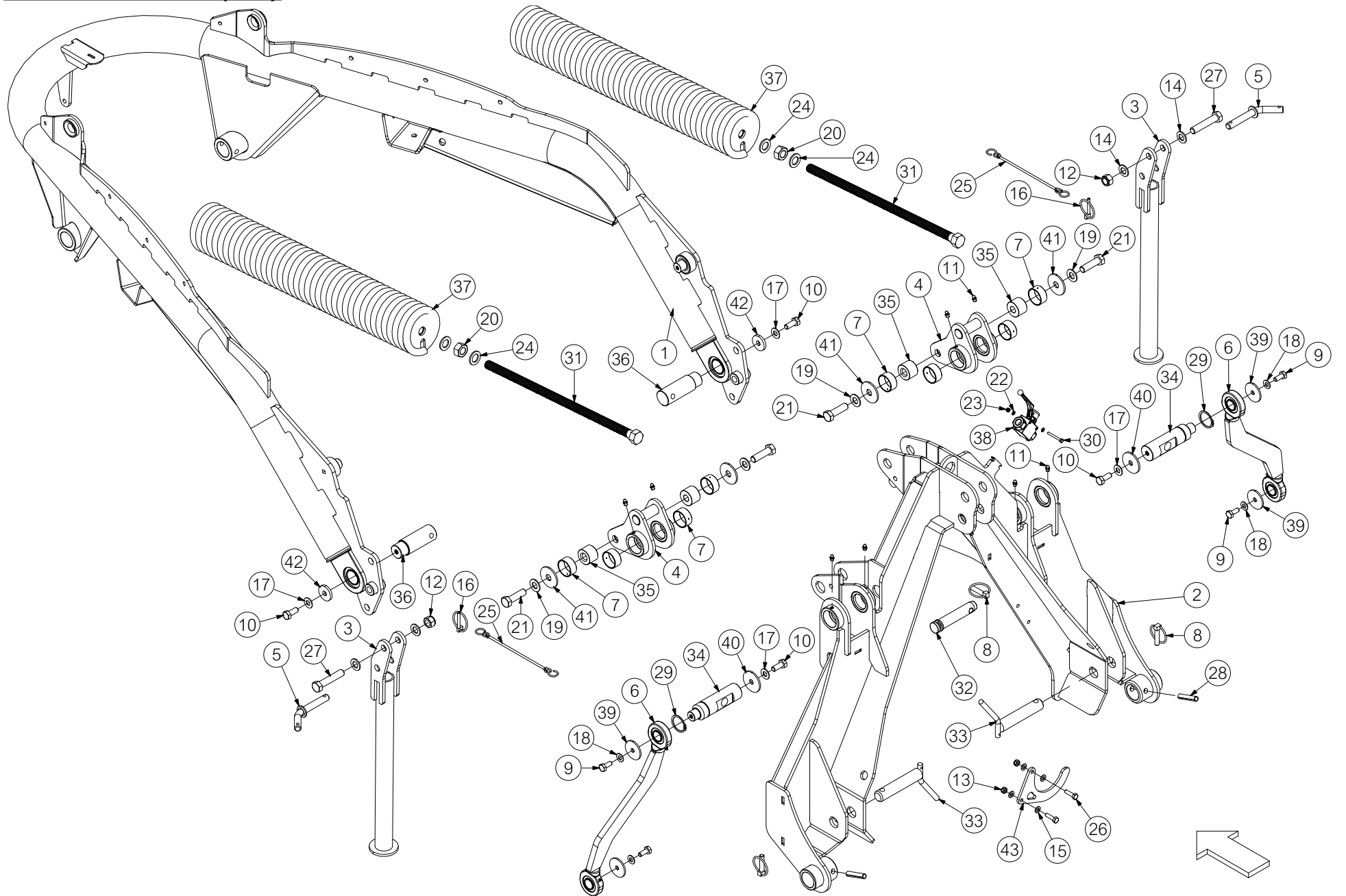
Note: Due to a policy of continuous product development and improvement *McHale Engineering* reserve the right to alter machine specifications without prior notice.

Contents

Section	Page No	Document No	Section	Page No	Document No
PRO GLIDE F3100					
Headstock frame (992)	6	SPD00992			
PTO shaft primary (1015)	8	SPD01015			
PTO shaft secondary (1016)	10	SPD01016			
Suspension arm (993)	12	SPD00993			
Main frame (994)	14	SPD00994			
Cutterbar RH (982)	16	SPD00982			
Discharge unit (995)	18	SPD00995			
Panels (996)	20	SPD00996			
Hood & lights (997)	22	SPD00997			
Camera & monitor kit (1079)	24	SPD01079			

This page is intentionally left blank

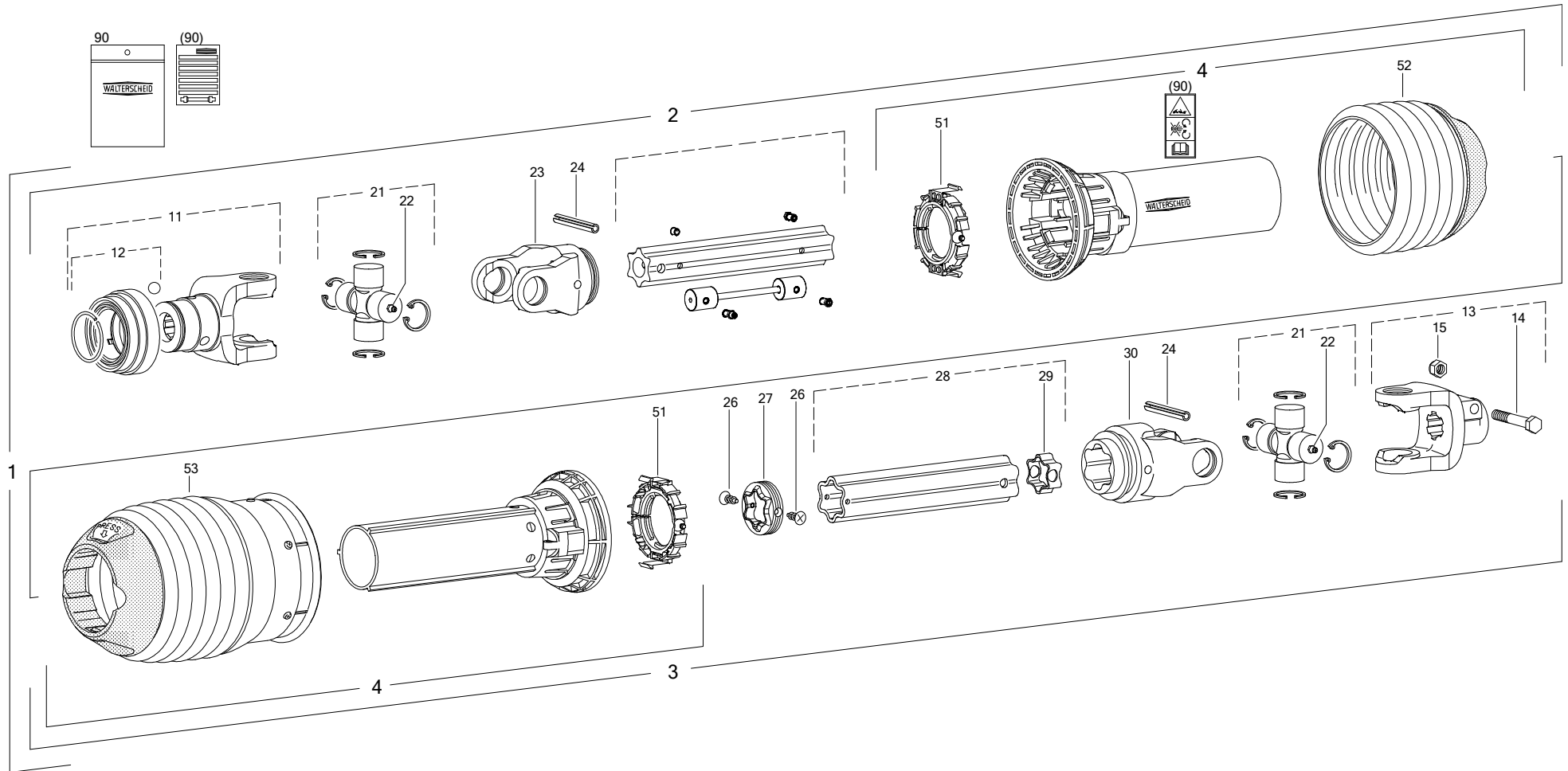
Headstock frame (992)



No.	Part No	Description	Qty
1	ACH01530	LOWER ARM ASSY MOWER SUSPENSION	1
2	ACH01556	HEADSTOCK WELD ASSY F3100	1
3	ALA00696	10MM MOWER STAND LEG	2
4	ALA00697	SPRING TENSIONER PIVOT ARM	2
5	ALA00747	PIN ASSY MOWER STAND	2
6	ALA00819	LINK ARM 25MM FRONT MOWER	2
7	CBR00268	BEARING GLACIER PM 4020 DX	8
8	CFA00005	LINCH PIN 10MM	3
9	CFA00024	SETSCREW M10X25 Z/P	4
10	CFA00032	SETSCREW M12X30 Z/P	4
11	CFA00118	GREASE NIPPLE M8X1.25 STRAIGHT	8
12	CFA00128	NUT M16 NYLOC	2
13	CFA00132	NUT M8 NYLOC Z/P	2
14	CFA00140	WASHER FLAT 16MM Z/P	4
15	CFA00147	WASHER FLAT 8MM Z/P	4
16	CFA00202	LINCH PIN 6MM	2
17	CFA00250	WASHER SKM12	4
18	CFA00251	WASHER SKM10	4
19	CFA00252	WASHER SKM16	4
20	CFA00304	NUT M20	2
21	CFA00315	BOLT M16X55	4
22	CFA00320	WASHER FLAT 5MM	4
23	CFA00321	NUT M5 NYLOC	2
24	CFA00413	WASHER FLAT 20MM Z/P	4
25	CFA00476	RUBBER STRAP 240 MM	2
26	CFA00491	SETSCREW M8X30 Z/P	2
27	CFA00498	BOLT M16 X 80 Z/P	2
28	CFA00504	ROLL PIN 12X60 ZP	2
29	CFA00551	CIRCLIP 40MM EXTERNAL	2
30	CFA01129	SETSCREW M5X50 Z/P GRADE 8.8	2
31	CFA01088	BOLT M20X500 Z/P	2
32	CMH00015	PIN 25.4X135MM TOP LINK	1
33	CMH00025	PIN 28X139 LOWER LINK CAT 2	2
34	CMH01606	PIN 40X153.5 STEPPED 25 Z/P	2
35	CMH01610	PIN 40X30	4
36	CMH01638	PIN 40X118 STEPPED 35	2
37	CSG00293	SPRING 17mm FRONT MOWER	2
38	CVA00613	VALVE 3/8 W LEVER LOCK & HOLES	1
39	CZD02479	4MM L WASHER 10.5X50X4 Z/P	4
40	CZD03011	WASHER 12.5X55X4	2
41	CZD04321	4MM L WASHER 16X55X4 Z/P	4
42	CZF06923	6MM L WASHER 12.5X40X6	2
43	CZF07930	6MM PTO HANGER BRACKET F3100	1

No.	Part No	Description	Qty
-----	---------	-------------	-----

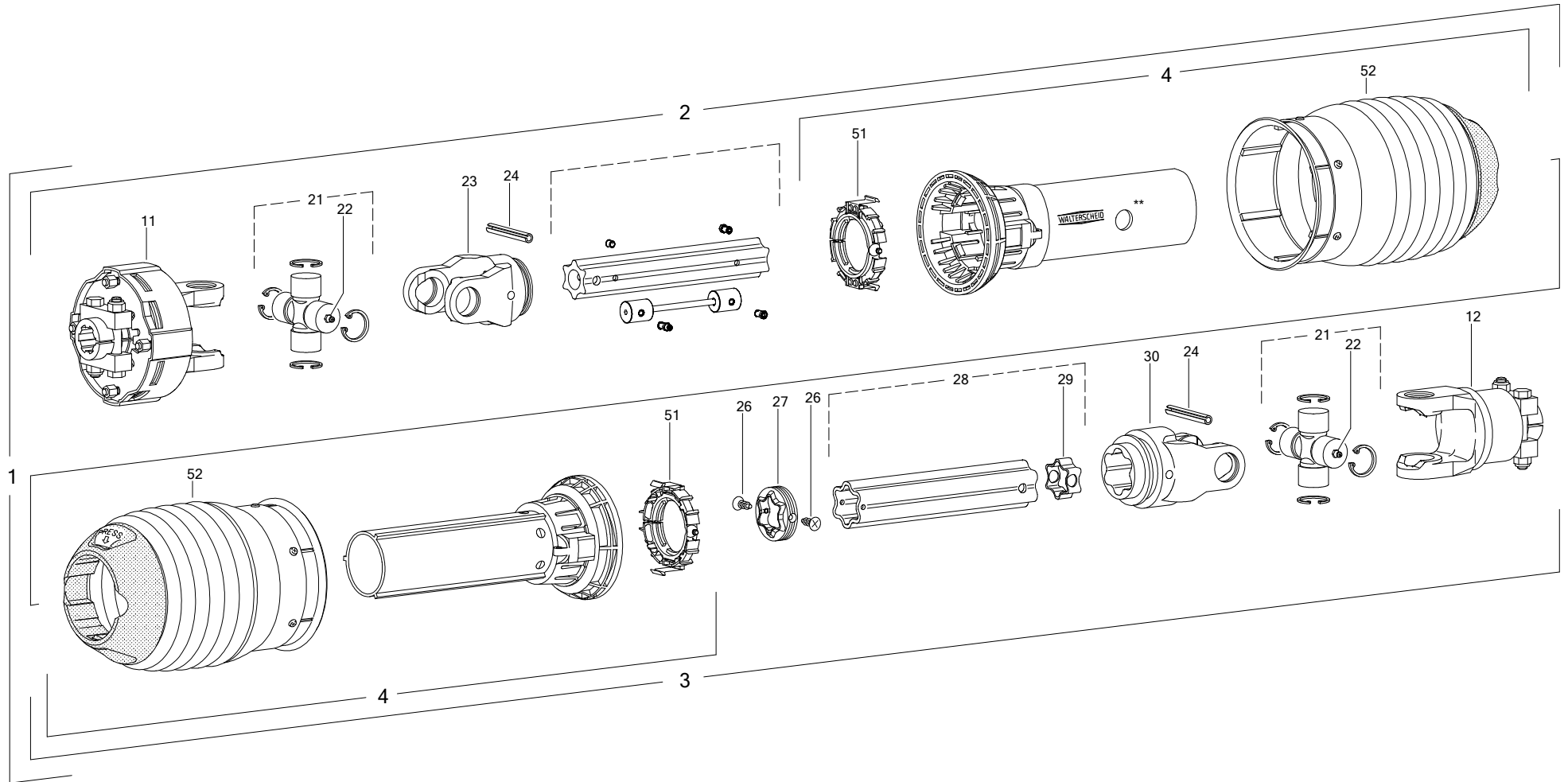
PTO shaft primary (1015)



No.	Part No	Description	Qty
1	CMT00389	PTO SHAFT FRONT MOWER MAINDRIVE	1
2	CMT00427	PTO HALF SHAFT CMT00389 INNER	1
3	CMT00428	PTO HALF SHAFT CMT00389 OUTER	1
4	CGD00432	PTO GUARD PRIMARY SHAFT MOWERS	1
<i>INNER & OUTER GUARDS</i>			
11	CMT00268	YOKE COMPLETE SHORT- PTO SHAFT	1
11	CMT00435	YOKE COMPLETE LONG QSG2400 PTO SHAFT	1
<i>SUITABLE FOR LONG PTO TRACTOR STUBSHAFT ONLY</i>			
12	CMT00174	KIT QUICK RELEASE SHORT DR PTO	1
12	CMT00436	LOCK COMPLETE LONG QS TYPE C P400 PTO SHAFT	1
<i>SUITABLE FOR LONG PTO TRACTOR STUBSHAFT ONLY</i>			
13	CMT00091	CLAMP YOKE COMPLETE AGKF2400 PTO SHAFT	1
14	CFA00928	BOLT M12X75 8.8 Z/P DIN931	1
15	CFA00124	NUT M12 NYLOC	1
21	CMT00438	UNIVERSAL JOINT P400 PTO SHAFT	2
22	CFA00097	GREASE NIPPLE PTO SHAFT	2
23	CMT00439	INBOARD YOKE RG2400-S4 PTO SHAFT	1
24	CFA00629	ROLL PIN 10X80 PTO SHAFT	2
26	CFA01134	SCREW 6X14 P400-PG25 PTO SHAFT	2
27	CMT00440	SEALING RING OUTER PROFILE S5 P400 PTO	1
28	CMT00441	PROFILE TUBE S5H 1000 PTO SHAFT P400	1
29	CMT00442	PLUG PROFILE S5 PTO SHAFT P400	1
30	CMT00443	INBOARD YOKE RG 2400-S5 PTO P400	1
51	CMT00242	PTO GUARD RING	2
52	CMT00241	PTO GUARD CONE	1
53	CMT00444	GUARD CONE PTO SHAFT P400	1
90	CST00132	DECAL WARNING PTO SHAFT	1

No.	Part No	Description	Qty
-----	---------	-------------	-----

PTO shaft secondary (1016)



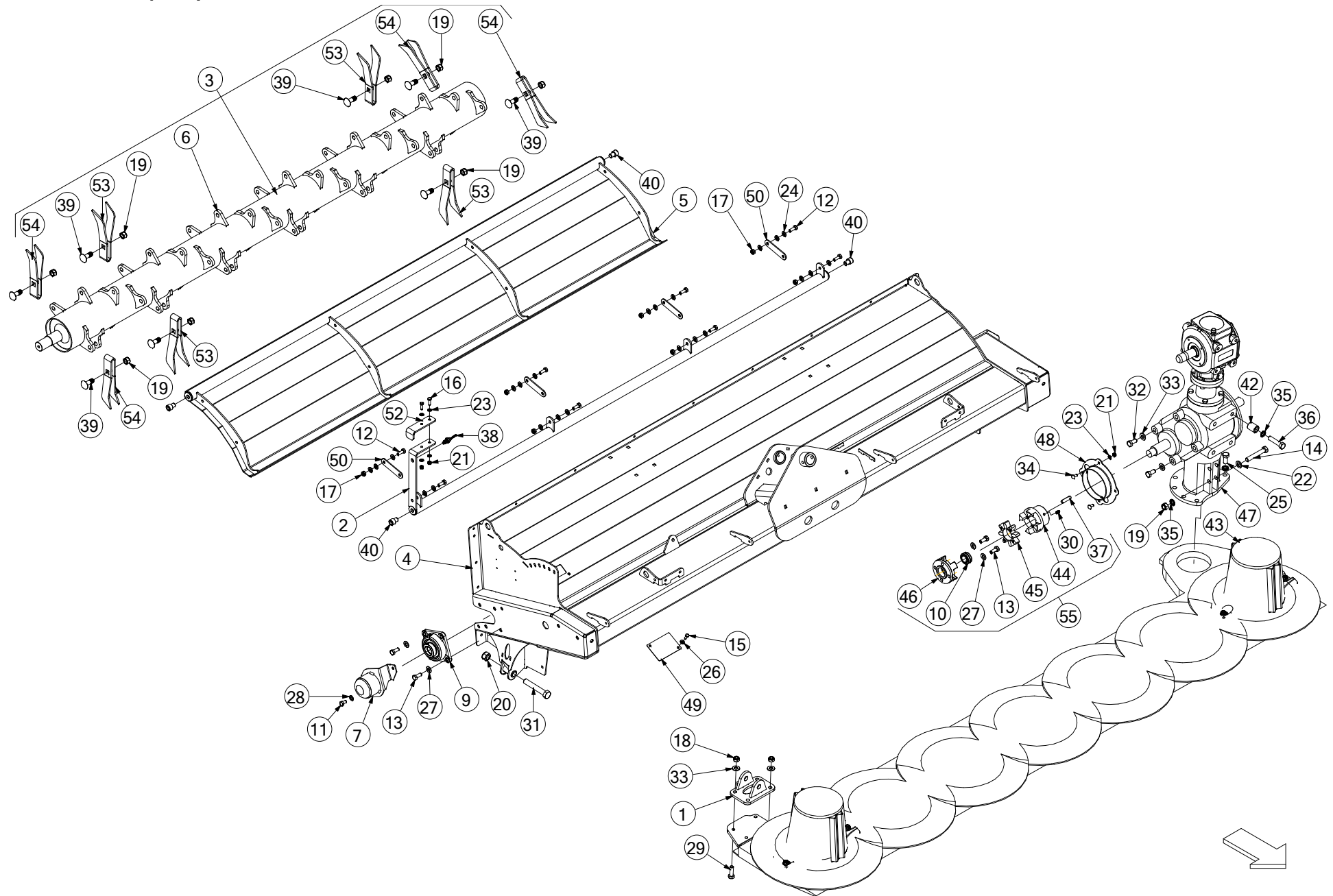
No.	Part No	Description	Qty
1	CMT00390	PTO SHAFT FTONT MOWER SECONDARY	1
2	CMT00429	PTO HALF SHAFT CMT00390 INNER	1
3	CMT00430	PTO HALF SHAFT CMT00390 OUTER	1
4	CGD00433	PTO GUARD SECONDARY FRONT COMP	1
<i>INNER & OUTER GUARDS</i>			
11	CMT00445	CLUTCH FRICTION K92/4-2400 PTO SHAFT	1
12	CMT00446	CLUTCH OVERRUNNING KEY TYPE RH PTO	1
21	CMT00447	UNIVERSAL JOINT 2400P PTO SHAFT	2
22	CFA00097	GREASE NIPPLE PTO SHAFT	2
23	CMT00439	INBOARD YOKE RG2400-S4 PTO SHAFT	1
24	CFA00629	ROLL PIN 10X80 PTO SHAFT	2
26	CFA01134	SCREW 6X14 P400-PG25 PTO SHAFT	2
27	CMT00440	SEALING RING OUTER PROFILE S5 P400 PTO	1
28	CMT00441	PROFILE TUBE S5H 1000 PTO SHAFT P400	1
29	CMT00442	PLUG PROFILE S5 PTO SHAFT P400	1
30	CMT00443	INBOARD YOKE RG 2400-S5 PTO P400	1
51	CMT00242	PTO GUARD RING	2
52	CMT00444	GUARD CONE PTO SHAFT P400	2

No.	Part No	Description	Qty
-----	---------	-------------	-----

No.	Part No	Description	Qty
1	ACH01602	TORQUE ARM ASSY MOWER SUSPENSION <i>(2-PIN OFFSET PIVOT) USED UP TO SERIAL No 1002363 (ALSO ORDER LONGER 848MM VERSION OF ITEMS 5 & 6)</i>	1
1	ACH01601	TORQUE ARM ASSY FRONT MOWER <i>(1-PIN CENTRE PIVOT) USED FROM SERIAL No 1002364</i>	1
2	ACH01530	LOWER ARM ASSY MOWER SUSPENSION	1
3	ALA00748	PIN 30X105 MOWER SUSPENSION	2
4	ALA00761	RAM LOCK BRACKET FRONT MOWER	1
5	ALA00818	LINK ARM 790MM FRONT MOWER <i>USED UP TO SERIAL No 1002363</i>	1
5	ALA00912	LINK ARM 848MM FRONT MOWER <i>USED FROM SERIAL No 1002364</i>	1
6	ALA00824	LINK ARM 790MM FRONT MOWER <i>USED UP TO SERIAL No 1002363</i>	1
6	ALA00913	LINK ARM 848MM FRONT MOWER <i>USED FROM SERIAL No 1002364</i>	1
7	CBE00275	BUFFER RUBBER 75X25 M12X30	2
8	CBE00322	DOOR HOLDER RUBBER FEMALE M6 HOLE	1
9	CBR00082	BEARING GLACIER PM 4040 SY	2
10	CBR00039	BEARING GLACIER PM 2525 DX	1
11	CFA00025	SETSCREW M10X30	4
12	CFA00032	SETSCREW M12X30 Z/P	2
13	CFA00033	SETSCREW M12X35 Z/P	6
14	CFA00118	GREASE NIPPLE M8X1.25 STRAIGHT	3
15	CFA00123	NUT M10 NYLOC	12
16	CFA00124	NUT M12 NYLOC	2
17	CFA00131	NUT M6 NYLOC	1
18	CFA00132	NUT M8 NYLOC Z/P	1
19	CFA00138	WASHER FLAT 12MM Z/P	6
20	CFA00144	WASHER FLAT 6MM Z/P	2
21	CFA00147	WASHER FLAT 8MM Z/P	1
22	CFA00201	WASHER FLAT 10 MM Z/P	12
23	CFA00202	LINCH PIN 6MM	1
24	CFA00222	WASHER FLAT 14MM Z/P	1
25	CFA00250	WASHER SKM12	2
26	CFA00442	SETSCREW M10X25 CUP SQ	8
27	CFA00446	NUT M12 HEXAGON LOCK/HALF NUT	1
28	CFA00476	RUBBER STRAP 240 MM	1
29	CFA00491	SETSCREW M8X30 Z/P	1
30	CFA00504	ROLL PIN 12X60 Z/P	6
31	CFA00586	BOLT M12X60X10.9 FINE THREAD Z/P	1
32	CFA00799	WASHER M12 NORDLOC	6
33	CFA02335	SETSCREW M6X20 BUTTON HEAD Z/P	1
34	CMH00443	PIN 25 X 110 MILLED FOR CAP Z/P	1
35	CMH00742	BUSH 8X20X13 ZINC PLATED	1
36	CMH01597	SHAFT 40X280	2
37	CMH01641	BUSH 30X45X21 Z/P	4
38	CMH01694	BUSH 25X35X25	1
39	CMH01695	PIN 25 X 110 MILLED FOR CAP Z/P	1
40	CMH01728	SHAFT 40X615 Z/P	1
41	CMT00358	GEARBOX MOWER INPUT	1

No.	Part No	Description	Qty
42	CRA00794	RAM 50X30 SA PULL CYLINDER	1
43	CSG00283	SPRING EXTENSION 4.06X42X242	1
44	CZF00293	6MM L CAP SHORT FOR 25MM PINS	2
45	CZF06923	6MM L WASHER 12.5X40X6	2
46	CZF07304	6MM RAM TRANSPORT LOCK HANDLE	1
47	CZF07570	6MM MOWER STOP BRACKET	2
48	CZH03990	10MM SPACER WASHER PART	2

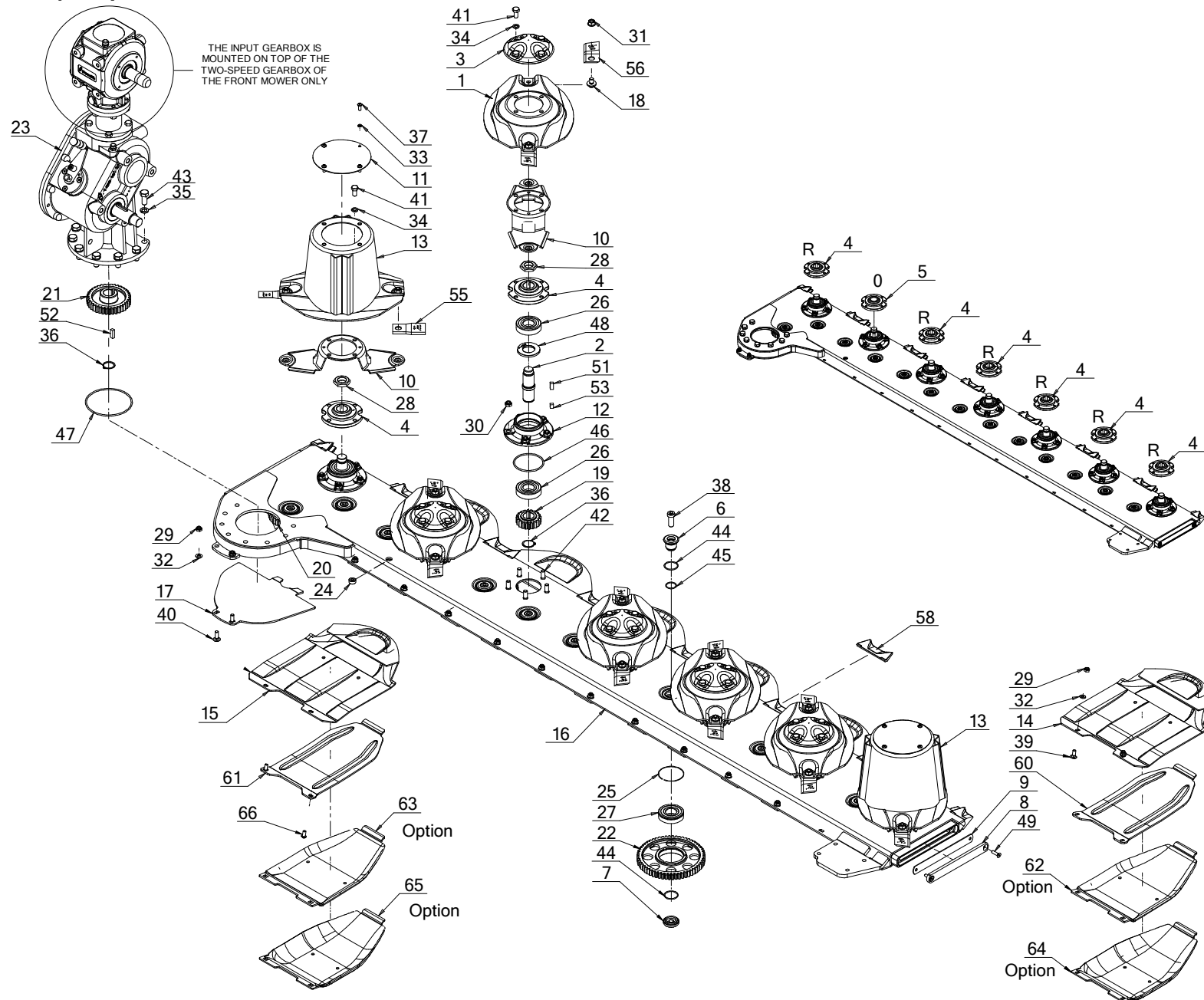
Main frame (994)



No.	Part No	Description	Qty
1	ACH02838	MOWER CUTERBAR MOUNTING BRACKET	1
2	ACH02840	MOWER CONDITIONER BAFFLE WELD ASS	1
3	ACH02843	MOWER CONDITIONER COMPLETE ASSEMBLY	1
<i>INCLUDES ITEMS 6, 19, 39, 53 & 54</i>			
4	ACH02839	FRONT MOWER CHASSIS WELD ASM	1
<i>UP TO SERIAL No 1002257 (OFFSET-PIVOT)</i>			
4	ACH01577	FRONT MOWER CHASSIS WELD ASM	1
<i>FROM SERIAL No 1002258 (CENTRE-PIVOT)</i>			
5	ACH02861	MOWER CONDITIONING HOOD DOUBLE ADJUST	1
6	ACH02952	MOWER CONDITIONER FINISHED WELD ASSY	1
7	AGD00048	MOWER CONDITIONER SHAFT GUARD	1
9	CBR00126	BEARING SQ FLANGE 40MM ESFE 208 (SNR)	1
10	CBR00127	BEARING SPHERICAL 30MM GE30ES 2RS	1
11	CFA00023	SETSCREW M10X20 Z/P	2
12	CFA00025	SETSCREW M10X30	9
13	CFA00032	SETSCREW M12X30 Z/P	8
14	CFA00040	BOLT M16X100 Z/P	2
15	CFA00052	SETSCREW M8X20 Z/P	2
16	CFA00102	SETSCREW M8X25 Z/P	2
17	CFA00123	NUT M10 NYLOC	9
18	CFA00126	NUT M14 NYLOC	4
19	CFA00128	NUT M16 NYLOC	50
20	CFA00129	NUT M20 NYLOC	1
21	CFA00132	NUT M8 NYLOC Z/P	4
22	CFA00140	WASHER FLAT 16MM Z/P	2
23	CFA00147	WASHER FLAT 8MM Z/P	6
24	CFA00201	WASHER FLAT 10 MM Z/P	25
25	CFA00229	SETSCREW M16X35 Z/P	8
26	CFA00249	WASHER_SKM8	2
27	CFA00250	WASHER SKM12	8
28	CFA00251	WASHER SKM10	2
29	CFA00306	SETSCREW M14X45 Z/P	4
30	CFA00319	GRUBSCREW M8X20	1
31	CFA00395	BOLT M20X120 Z/P	1
32	CFA00398	SETSCREW M14X30 Z/P	4
33	CFA00449	WASHER SKM14	12
34	CFA00506	SETSCREW M8X20 CUPHEAD SQ ZP	2
35	CFA00783	WASHER NL16 NORD-LOCK	15
36	CFA01034	BOLT M16X70 Z/P GRADE 8.8	4
37	CFA01076	KEY 12X8X50	1
38	CFA02300	M12 INDEX PLUNGER	1
39	CFA02305	BOLT CUPHEAD M16X47 12.9	48
40	CFA02306	SETSCREW M16X20 SOC CAP 10.9 Z/P	4
42	CMH01028	BUSH 17X30X39	4
43	CMT00356	MOWER CUTTERBAR WELD ASM RH	1
44	CMT00365	COUPLING JAW (STANDARD 48)105 OD	1
45	CMT00366	COUPLING SPIDER 48-98 SHORE	1
46	CMT00367	COUPLING JAW (FLANGE MOUNTING 48)105 OD	1
47	CMT00360	GEARBOX FRONT MOWER 2 SPEED	1

No.	Part No	Description	Qty
48	CTP00505	MOWER CONDITIONER SEAL	1
<i>REPLACES ACH02844</i>			
49	CZB02596	1.5MM L PLATE MOWER COVER	1
50	CZD02943	4MM L LINK PLATE MOWER	4
52	CZF07383	6MM L MOWER CONDITIONER HANDLE	1
53	CZF08035	6MM L MOWER CONDITIONER TINE	44
<i>REPLACE IN BALANCED PAIRS 180° APART AT ANY POSITION OF THE DRUM (REPLACES CZF07385)</i>			
54	CZF08722	6MM L MOWER CONDITIONER TINE (SHORT)	4
<i>REPLACE IN BALANCED PAIRS 180° APART ON THE DRUM ENDS ONLY (REPLACES CZF07397)</i>			
55	KST00103	COUPLING JAW+SPIDER KIT MOWER	1
<i>INCLUDES ITEMS 10, 13, 27, 30, 37, 44, 45, 46 & GEARBOX SHAFT SEAL CSE00633</i>			

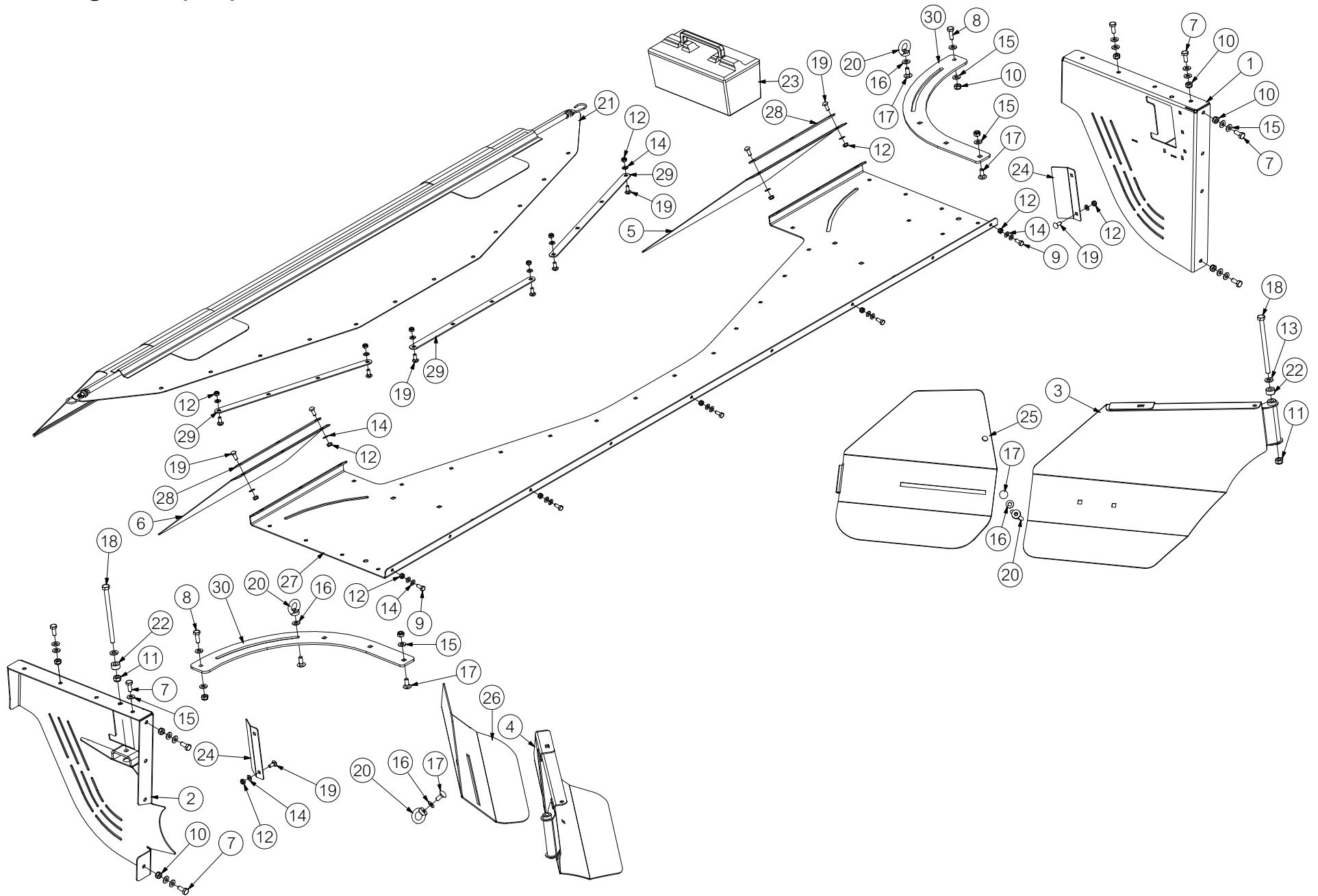
Cutterbar RH (982)



No.	Part No	Description	Qty
1	ART00376	MOWER DISK W/SPLINED HOLE	5
<i>UP TO SERIAL No 1002499 (INCLUDES ITEMS 18 & 31)</i>			
1	ART00386	MOWER DISC W/SQ STUD HOLE	5
<i>FROM SERIAL No 1002500 (INCLUDES ITEMS 18 & 31)</i>			
2	CMH01691	SHAFT PINION L120 MOWER HUB	7
3	CZB00304	COVER CAP DISC MOWER	5
4	AAX00001	DISC HUB ASM UPPER (R)	6
5	AAX00002	DISC HUB ASM UPPER (O)	1
6	CMH01696	IDLER HOLDER UPPER MOWER BED	13
7	CMH02764	IDLER HOLDER LOWER MOWER	13
8	CMH01742	BAR CLOSURE 2X CSK HOLES MOWER BED	1
9	CBE00335	GASKET BAR RUBBER MOWER BED	1
10	CZE00293	KNIFE HOLDER MOWER 5MM	7
<i>UP TO SERIAL No 1002499</i>			
10	CZE00318	KNIFE HOLDER MOWER	7
<i>FROM SERIAL No 1002500</i>			
11	CZB00305	CAP COVER DISC OUTER DRUM MOWR	2
12	CMH01743	DISC HUB ASM LOWER MOWER BED	7
13	ART00375	MOWER DISC WITH OUTER DRUM	2
<i>UP TO SERIAL No 1002499 (INCLUDES ITEMS 18 & 31)</i>			
13	ART00385	MOWER DISC WITH OUTER DRUM	2
<i>FROM SERIAL No 1002500 (INCLUDES ITEMS 18 & 31)</i>			
14	ACH01473	MAIN SLIDE DISC MOWER	6
<i>UP TO SERIAL No 1002499</i>			
14	ACH01562	MAIN SLIDE WITH SKID PAD SLOT	6
<i>UP TO SERIAL No 1002499 (80 MM SLOT)</i>			
14	ACH01619	MAIN SLIDE DISC MOWER W/SLOT	6
<i>FROM SERIAL No 1002500 (96 MM SLOT)</i>			
15	ACH01474	SLIDE UNDER G-BOX DISC MOWER	1
<i>UP TO SERIAL No 1002499</i>			
15	ACH01563	SLIDE G-BOX WITH SKID PAD SLOT	1
<i>UP TO SERIAL No 1002499 (80 MM SLOT) ALSO ORDER 2X ITEM 66</i>			
15	ACH01620	SLIDE UNDER GBOX MOWER W/SLOT	1
<i>FROM SERIAL No 1002500 (96 MM SLOT)</i>			
16	CMT00356	MOWER CUTTERBAR WELD ASM RH	1
17	CZE00294	SKID UNDER GBOX DISC MOWER	1
18	CMH01692	PIN KNIFE HOLDER STUD SPLINED	14
<i>UP TO SERIAL No 1002499</i>			
18	KST00084	KIT SPLINE W/HOOK & SPRING PLATES	1
<i>UP TO SERIAL No 1002499 (CONV KIT TO SPLINED HOOK PINS) FOR REPLACEMENT PINS ORDER CMH02881</i>			
18	CMH01840	PIN KNIFE HOLDER HOOK W/SQ	14
<i>FROM SERIAL No 1002500</i>			
19	CMH01698	GEAR 20T WORK DISC MOWER BED	7
20	CMH01699	GEAR 38T IDLER MOWER BED	1
21	CMH01693	GEAR 38T GBOX DRIVE MWR BED	1
22	CMH01697	GEAR 60T IDLER MWR BED	12
23	CMT00360	GEARBOX FRONT MWR 2 SPD CONDR +INPUT GBOX	1
<i>USED ON FRONT MOWER F3100 ONLY & INCLUDES INPUT GEARBOX DRIVE</i>			
23	CMT00380	GEARBOX REAR MWR 2 SPD CONDR	1
<i>USED ON RH REAR MOWER R3100 ONLY & EXCLUDES INPUT GEARBOX DRIVE</i>			
24	CFA01085	PLUG OIL INLET HEX M22X1.5 MWR BED	1
25	CFA01109	RETAINING RING 6307N BEARING	13

No.	Part No	Description	Qty
26	CBR00294	BEARING 6307 2RS C3	14
27	CBR00335	BEARING 6307 2RS N SNAP-RING	13
28	CFA01116	NUT LOCK-HALF M30X1.5 MWR 8.8 Z/P	7
29	CFA00123	NUT M10 NYLOC Z/P	14
30	CFA00124	NUT M12 NYLOC	35
31	CFA00439	NUT M12 FLANGED HEAD 10.9 Z/P	14
32	CFA00201	WASHER FLAT 10MM Z/P	14
33	CFA00185	WASHER SPRING 8MM ZP	8
34	CFA00623	WASHER SPRING 12MM LIGHT Z/P	28
35	CFA00252	WASHER SKM16	8
36	CFA00514	CIRCLIP 35MM EXTERNAL	8
37	CFA00429	SCREW M8X20 BTN HEAD SOC HX ZP	8
38	CFA01110	BOLT M16X40 ALLEN HD 10.9	13
39	CFA00442	SETSCREW M10X25 CUP SQ ZP	12
40	CFA00017	SETSCREW M10X30 CUP SQ ZP	2
41	CFA00031	SETSCREW M12X25 ZP	28
42	CFA01115	BOLT M12X30 KNURLED 10.9 Z/P MOWER	35
43	CFA00229	SETSCREW M16X35 Z/P	8
44	CSE00645	SEAL O RING OS 30X2.5 MOWER	26
45	CSE00645	SEAL O RING OS 30X2.5 MOWER	13
46	CSE00638	SEAL O RING OS 90X4	7
47	CFA02340	LOCTITE SI 5926 40ML NON SETTING GASKET	1
<i>APPLY A CONTINUOUS BEAD OF SEALANT TO FLAT MACHINED SURFACE AROUND EACH BOLT HOLE & CENTRE BORE</i>			
48	CSE00637	OIL SEAL AO 40X72X7 MOWER BED	7
49	CFA00593	SETSCREW M8X30 CSK ALLEN ZP	2
50	CFA01114	SETSCREW M10X20 CSK 8.8 Z/P ALLEN	2
51	CFA01111	KEY B 10X8X22 MOWER BED	7
52	CFA01112	KEY B 10x8x30 MOWER BED	1
53	CFA01082	KEY B 10x8x16 MOWER BED	7
55	KCN00036	MOWER BLADE 50X110 RIGHT HAND	8
56	KCN00037	MOWER BLADE 50X110 LEFT HAND	6
58	CTP00513	INSERT CUTTERBAR SKID FORGED	7
<i>REPLACEMENT WELD-IN INSERT</i>			
60	CTP00562	SKID PAD FLAT	6
<i>FROM SERIAL No 1002500</i>			
61	CTP00563	SKID PAD FLAT UNDER G/BOX	1
<i>FROM SERIAL No 1002500</i>			
62	CTP00564	HIGH CUT SKID +25MM	6
<i>FROM SERIAL No 1002500</i>			
63	CTP00565	HIGH CUT SKID +25MM UNDER GBOX	1
<i>FROM SERIAL No 1002500</i>			
64	CTP00511	MAIN SKID PAD FORMED +50MM	6
<i>UP TO SERIAL No 1002499 (79 MM TAB)</i>			
64	CTP00566	HIGH CUT SKID +50MM	6
<i>FROM SERIAL No 1002500 (95 MM TAB)</i>			
65	CTP00512	SKID PAD FORMED GEARBOX +50MM	1
<i>UP TO SERIAL No 1002499 (79 MM TAB)</i>			
65	CTP00567	HIGH CUT SKID +50MM UNDER GBOX	1
<i>FROM SERIAL No 1002500 (95 MM TAB)</i>			
66	CFA00243	SETSCREW M10X20 BUTTON HEAD ZP	2

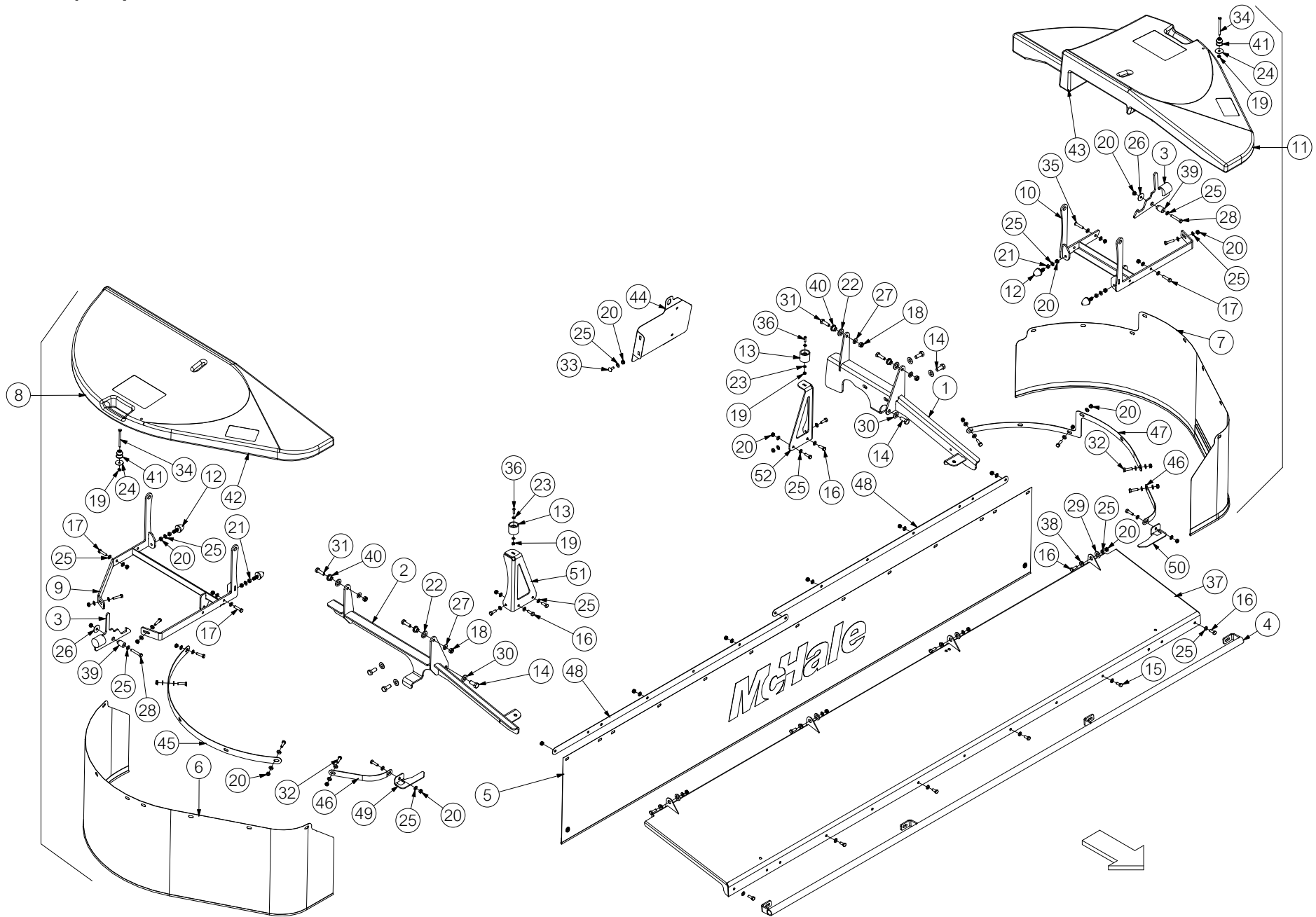
Discharge unit (995)



No.	Part No	Description	Qty
1	ACH01461	MOWER SIDE BOARD WELD LHS	1
2	ACH01462	MOWER SIDE BOARD WELD RHS	1
3	ACH02955	MOWER SWATH BOARD WELD LHS F3100	1
4	ACH02956	MOWER SWATH BOARD WELD RHS F3100	1
5	CBE00292	CANVAS FRONT MOWER DISCHARGE	1
6	CBE00300	CANVAS FRONT MOWER DISCHARGE	1
7	CFA00024	SETSCREW M10X25 Z/P	14
8	CFA00025	SETSCREW M10X30	2
9	CFA00052	SETSCREW M8X20 Z/P	9
10	CFA00123	NUT M10 NYLOC	22
11	CFA00124	NUT M12 NYLOC	2
12	CFA00132	NUT M8 NYLOC Z/P	30
13	CFA00138	WASHER FLAT 12MM Z/P	2
14	CFA00147	WASHER FLAT 8MM Z/P	39
15	CFA00201	WASHER FLAT 10 MM Z/P	38
16	CFA00251	WASHER SKM10	4
17	CFA00442	SETSCREW M10X25 CUP SQ	10
18	CFA00470	BOLT M12X180 Z/P	2
19	CFA00506	SETSCREW M8X20 CUPHEAD SQ ZP	21
20	CFA02312	M10 LIFTING EYE NUT DIN 582	4
21	CGD00388	CANVAS FRONT MOWER DISCHARGE	1
22	CMH01680	BUSH 12X25X13	2
23	CPL00222	TOOL BOX PLASTIC (SERKO)	1
24	CZB02512	2MM L CROP FLOW DEFLECTION MOWER	2
25	CZC02661	3MM SWATH BOARD EXTENSION F3100	1
26	CZC02662	3MM SWATH BOARD EXTENSION F3100	1
27	CZC03892	3MM L MOWER CONDITIONER HOOD	1
28	CZC03897	3MM CURTAIN RETAINER STRIP	2
29	CZC03898	3MM CURTAIN RETAINER STRIP	3
30	CZF07228	6MM MOWER HOOD SUPPORT PLATE	2

No.	Part No	Description	Qty
-----	---------	-------------	-----

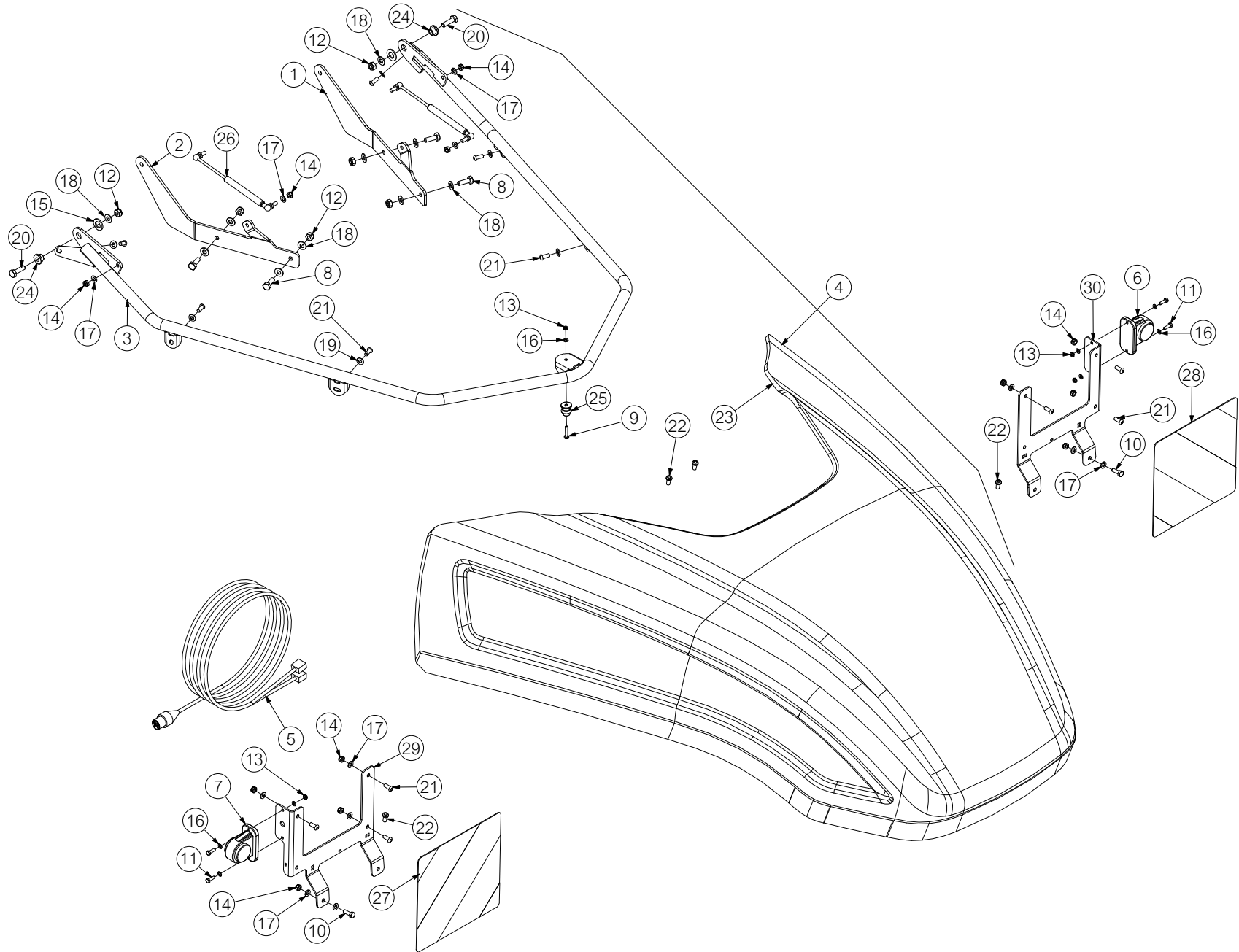
Panels (996)



No.	Part No	Description	Qty
1	ACH02895	GUARD MOUNT FRONT MOWER LHS WELD	1
2	ACH02907	GUARD MOUNT FRONT MOWER RHS WELD	1
3	AGD00017	MOWER GUARD GRAVITY LATCH	2
4	AGD00027	MOWER GUARD FRONT PIPE WELD ASSY	1
5	AGD00034	FRONT MOWER FRONT CURTAIN ASSY	1
6	AGD00035	FRONT MOWER RHS CURTAIN ASSY	1
7	AGD00036	MOWER STEPPED LHS CURTAIN ASSY	1
8	AGD00054	FRONT MOWER GUARD ASSY RHS	1
<i>COMPLETE GUARD RH ASM INCLUDING FRAME, LATCH, CURTAIN & BUFFERS (BUT NOT HINGE BOLTS)</i>			
9	AGD00055	MOWER GUARD STEEL FRAME RHS	1
10	AGD00061	FRONT MOWER STEEL FRAME GUARD LHS	1
11	AGD00062	FRONT MOWER GUARD ASSY LHS	1
<i>COMPLETE GUARD LH ASM INCLUDING FRAME, LATCH, CURTAIN & BUFFERS (BUT NOT HINGE BOLTS)</i>			
12	CBE00028	BUFFER RUBBER 30X36 M8/27 57SH	4
13	CBE00322	DOOR HOLDER RUBBER FEMALE M6 HOLE	2
14	CFA00032	SETSCREW M12X30 Z/P	6
15	CFA00052	SETSCREW M8X20 Z/P	7
16	CFA00102	SETSCREW M8X25 Z/P	14
17	CFA00107	SETSCREW M8X35 Z/P	9
18	CFA00123	NUT M10 NYLOC	4
19	CFA00131	NUT M6 NYLOC	4
20	CFA00132	NUT M8 NYLOC Z/P	51
21	CFA00133	NUT M8 Z/P	4
22	CFA00140	WASHER FLAT 16MM Z/P	4
23	CFA00144	WASHER FLAT 6MM Z/P	4
24	CFA00145	WASHER MUDWING M6 32MM OD	2
25	CFA00147	WASHER FLAT 8MM Z/P	91
26	CFA00149	WASHER MUDWING M8X31.75 OD	2
27	CFA00201	WASHER FLAT 10 MM Z/P	4
28	CFA00210	SETSCREW M8X50 Z/P	2
29	CFA00222	WASHER FLAT 14MM Z/P	4
30	CFA00250	WASHER SKM12	6
31	CFA00311	SETSCREW M10X35 Z/P	4
32	CFA00491	SETSCREW M8X30 Z/P	12
33	CFA00506	SETSCREW M8X20 CUPHEAD SQ Z/P	1
34	CFA00752	SETSCREW M6X80 Z/P	2
35	CFA00926	SETSCREW M8X40 BUTTON HD Z/P	2
36	CFA02335	SETSCREW M6X20 BUTTON HEAD Z/P	2
37	CGD00366	GUARD MOWER FRONT	1
38	CMH01356	BUSH 8X20X7.5 Z/P	4
39	CMH02691	BUSH 20X15X50	2
40	CMH02724	BUSH 25X10.5X14 STEPPED	4
41	CPL00228	DOOR HOLDER MALE M6 HOLE	2
42	CPL00231	PLASTIC MOWER GUARD RHS	1
43	CPL00234	MOWER GUARD PLASTIC LHS	1
44	CZB02533	1.5MM L MOWER GUARD	1
45	CZB02545	2MM L FRONT MOWER CURTAIN STRIP	1
46	CZB02547	2MM L FRONT MOWER CURTAIN STRIP 2 HOLE	2
47	CZB02601	2MM L MOWER CURTAIN STRIP STEPPED	1

No.	Part No	Description	Qty
48	CZB04591	2MM L FRONT MOWER CURTAIN STRIP	2
49	CZC05155	3MM CROP DEFLECTOR MOWER RHS	1
50	CZC05163	3MM CROP DEFLECTOR MOWER LHS	1
51	CZD04946	4MM L FRONT MOWER PANEL STOP BRKT RHS	1
52	CZD04947	4MM L FRONT MOWER PANEL STOP BRKT LHS	1

Hood & lights (997)



No.	Part No	Description	Qty
1	AGD00070	HINGE BRACKET MOWER GUARD LHS	1
2	AGD00071	HINGE BRACKET MOWER GUARD RHS	1
3	AGD00072	SUSPENSION GUARD FRAME WELD ASSY	1
4	AGD00073	MOWER SUSPENSION GUARD COMP ASSY	1
<i>INCLUDES FRAME + FASTENERS</i>			
5	CEL01514	FRONT MOWER LIGHTING LOOM, 3.5M	1
6	CEL01515	LED MARKER LAMP WING LHS	1
7	CEL01516	LED MARKER LAMP WING RHS	1
8	CFA00025	SETSCREW M10X30	4
9	CFA00047	SETSCREW M6X30 Z/P	1
10	CFA00102	SETSCREW M8X25 Z/P	4
11	CFA00115	SETSCREW M6X20 Z/P	4
12	CFA00123	NUT M10 NYLOC	6
13	CFA00131	NUT M6 NYLOC	5
14	CFA00132	NUT M8 NYLOC Z/P	16
15	CFA00140	WASHER FLAT 16MM Z/P	2
16	CFA00144	WASHER FLAT 6MM Z/P	9
17	CFA00147	WASHER FLAT 8MM Z/P	16
18	CFA00201	WASHER FLAT 10 MM Z/P	10
19	CFA00249	WASHER SKM8	6
20	CFA00311	SETSCREW M10X35 Z/P	2
21	CFA00429	SETSCREW M8X20 BUTTON HEAD Z/P	14
22	CFA02232	GROMMET 6.3X9.5	4
23	CGD00413	SUSPENSION GUARD FRONT MOWER	1
24	CMH02724	BUSH 25X10.5X14 STEPPED	2
25	CPL00228	DOOR HOLDER MALE M6 HOLE	1
26	CRA00781	GAS STRUT 245-80 500N	2
27	CST00872	MARKER BOARD SET DIN11030 (282X282)	1
<i>BOTH LH & RH AVAILABLE IN SETS ONLY (COMPLETE WITH BACKING BOARDS)</i>			
28	CST00872	MARKER BOARD SET DIN11030 (282X282)	1
<i>BOTH LH & RH AVAILABLE IN SETS ONLY (COMPLETE WITH BACKING BOARDS)</i>			
29	CZD00245	4MM L MARKER BOARD BRK FRONT MOWER RHS	1
30	CZD00246	4MM L MARKER BOARD BRK FRONT MOWER LHS	1

No.	Part No	Description	Qty
-----	---------	-------------	-----

Camera & monitor kit (1079)



No.	Part No	Description	Qty
1	CEL00961	CAMERA MALE PHONO CONNECTOR	1
2	CEL01371	RCA PHONO SOCKET FEMALE 2WAY	1
3	CEL01593	DOUBLE PHONO ADAPTOR	1
4	CEL01630	FUSE 250MA 5X20MM GLASS	1
4	CEL01631	FUSE 500MA 5X20MM GLASS	1
5	CEL01609	ISOCAN - FENDT CAMERA ADAPTOR	1
6	CEL01520	SECOND CAMERA POWER ADAPTER	1
7	CEL01585	PHONO TO CAMERA CONNECTOR	1
8	CEL01532	TWIN CAMERA ADAPTER	1
9	KST00074	CAMERA MOUNTING KIT	1
10	CEL00903	CAMERA-ISOCAN SIGNAL CABLE	1
11	CEL00900	COLOUR CAMERA MK1	1
12	CEL01541	CAMERA EXTENSION 5M HIGH-FLEX	1
13	KST00064	2ND CAMERA KIT ISOCAN	1
<i>INCLUDES ITEMS 10, 11 & 12</i>			
14	CEL01506	CAMERA MONITOR	1
15	CEL01550	CAMERA EXTENSION CABLE 10M	1
15	CEL01556	CAMERA EXTENSION CABLE 3M	1
16	CEL01533	COLOUR CAMERA MK2	1
17	KST00068	CAMERA & MONITOR KIT	1
<i>INCLUDES ITEMS 14, 15 & 16</i>			
18	CEL01655	QUAD CAMERA MONITOR	1
19	CEL00064	LOOM COBO WHITE CON EURO LEAD	1
20	CEL01550	CAMERA EXTENSION CABLE 10M	2
21	CEL01533	COLOUR CAMERA MK2	2
22	ATR00047	DOUBLE CAMERA BRACKET COMP ASSY	1
23	KST00100	DUAL CAMERA COMP KIT FRT MOWER	1
<i>INCLUDES ITEMS 18, 19, 20, 21 & 22</i>			

No.	Part No	Description	Qty
-----	---------	-------------	-----