

McHale

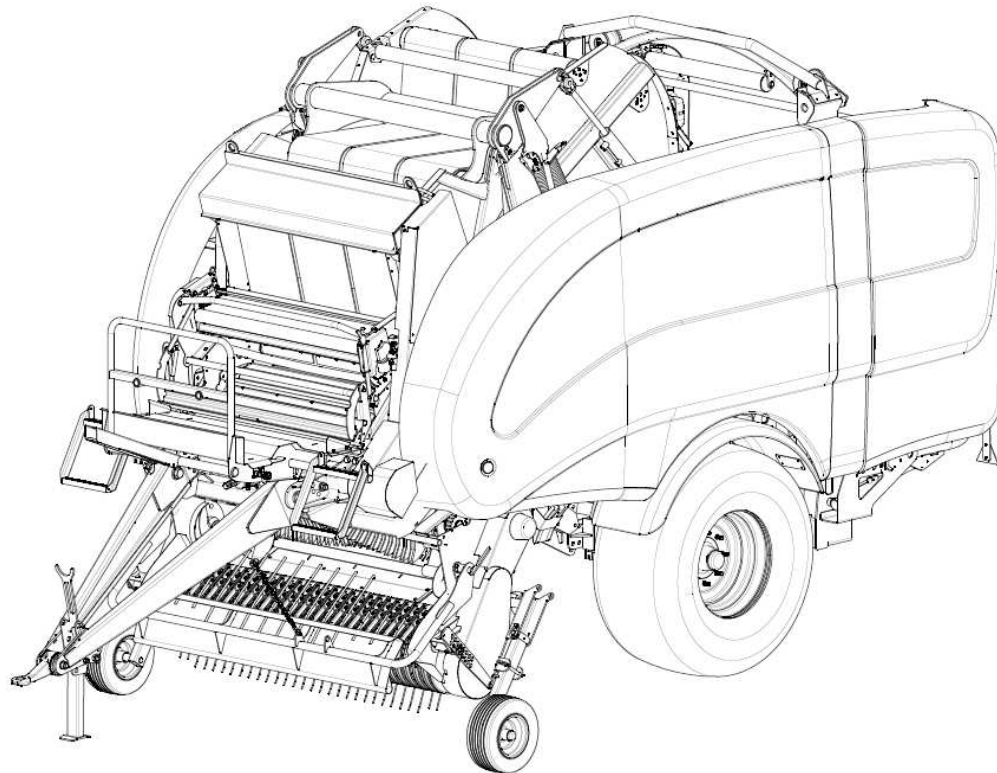
FUSION
VARIO



QUALITY

I.S. EN ISO 9001:2008

NSAI Certified



FUSION VARIO **Spare Parts Book**

McHale,
Ballinrobe,
Co. Mayo, Ireland.

Tel: +353 94 9520300

Fax: +353 94 9520356

Email: sales@mchale.net

Website: www.mchale.net

This page is intentionally left blank

Introduction

The **McHale FUSION VARIO** which you have purchased has been developed through years of constant research and development. Given proper care and attention the **FUSION VARIO** will give years of reliable and dependable performance. However it is important that the operators manual is read and fully understood to achieve this, **before** the machine is operated. As part of this philosophy it is vital to use only **genuine McHale** replacement parts, as these are manufactured to the same high standard as the original machine. These may be obtained through your **McHale** dealer.

If any part of this manual is not fully understood, please contact your **McHale** dealer who will be able to answer any questions or queries that you might have. It is important to quote the machine serial number when requiring spare parts or technical assistance. Space is provided below to record the machine details:

| | |
|-----------------------------|--|
| Serial number: | |
| Year of manufacture: | |
| Date of delivery: | |

If you require further copies of this spare parts manual please
quote part number CLT00747

Note: Parts described as left and right are done so according to the direction that the machine normally travels in.

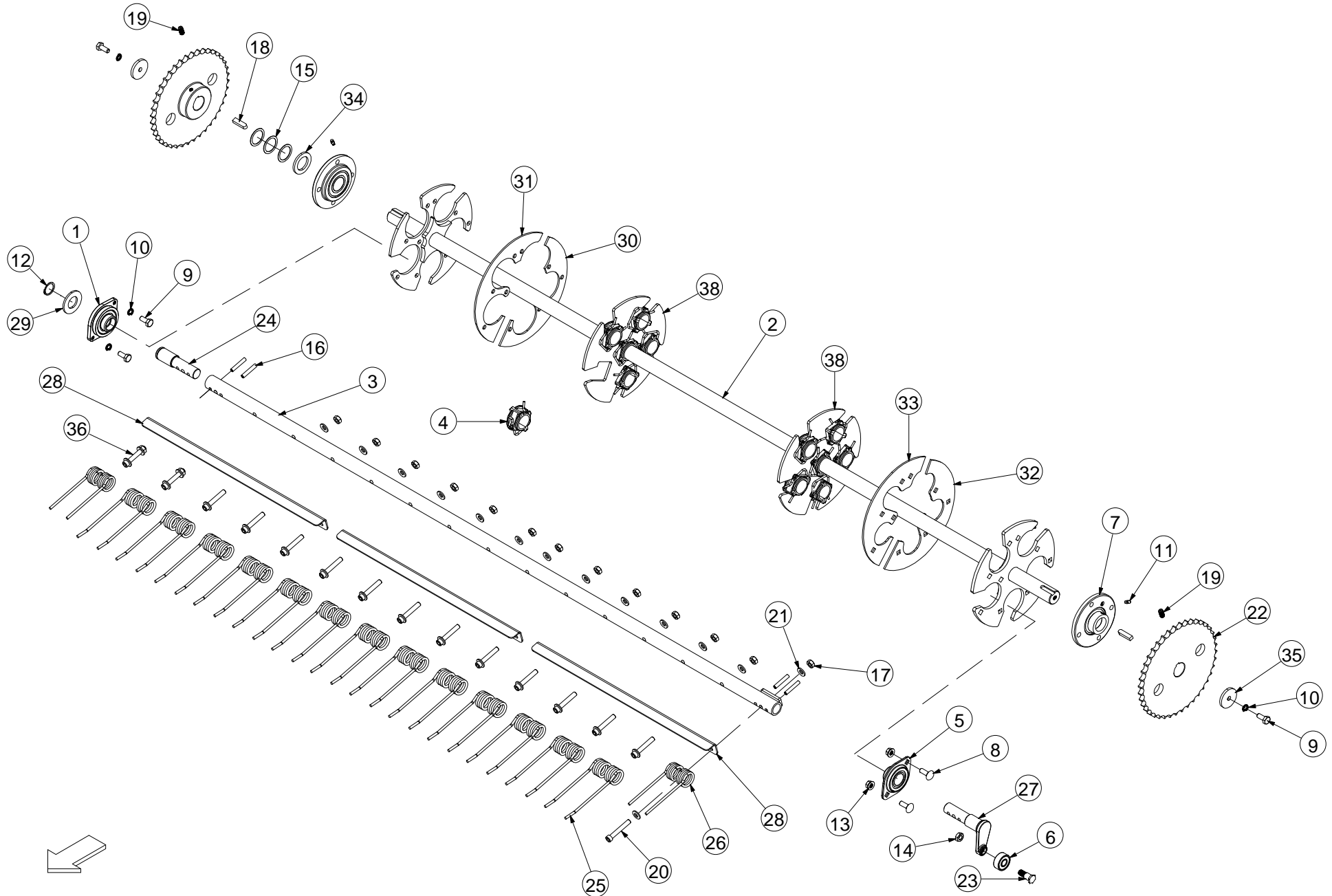
Note: Due to a policy of continuous product development and improvement *McHale Engineering* reserve the right to alter machine specifications without prior notice.

Contents

| Section | Page No | Document No | Section | Page No | Document No |
|---|---------|-------------|--|---------|-------------|
| Pick-up unit | | | Front chamber LHS 1 (850) | 52 | SPD00850 |
| Pick-up reel shaft (805) | 6 | SPD00805 | Front chamber LHS 2 (851) | 54 | SPD00851 |
| Pick-up reel chassis (804) | 8 | SPD00804 | Front chamber RHS (852) | 56 | SPD00852 |
| Pick-up 3 (901) | 10 | SPD00901 | Rear chamber door 1 (920) | 58 | SPD00920 |
| Pick-up 4 (896) | 12 | SPD00896 | Rear chamber door 2 [Up to V6 Serial No 802077 + Vario 900071] (849) | 60 | SPD00849 |
| Pick-up 5 (897) | 14 | SPD00897 | Rear chamber door 2 [From V6 Serial No 802078 + Vario 900072] (919) | 62 | SPD00919 |
| Pick-up drop floor (393) | 16 | SPD00393 | Net beak (927) | 64 | SPD00927 |
| Pick-up drop floor select (803) | 18 | SPD00803 | Tension arm rollers (858) | 66 | SPD00858 |
| Crop roller [On Fusion-F5-V6 from Serial No 655681-706661-800616] (775) | 20 | SPD00775 | Top drive roller (639) | 68 | SPD00639 |
| PTO shaft & Gearbox | | | Bottom drive roller (640) | 70 | SPD00640 |
| PTO shaft [PWE580] | 22 | SPD00699 | Auger (646) | 72 | SPD00646 |
| Gearbox 1 (831) | 24 | SPD00831 | Small idle roller (645) | 74 | SPD00645 |
| Gearbox 2 (490) | 26 | SPD00490 | Top pressed roller [from serial no 800350] (770) | 76 | SPD00770 |
| Chassis | | | Bottom pressed roller (643) | 78 | SPD00643 |
| Drawbar (952) | 28 | SPD00952 | Slatted roller (641) | 80 | SPD00641 |
| Screw jack & Handbrake (948) | 30 | SPD00948 | Lower rear door rollers (867) | 82 | SPD00867 |
| Steps & Platform (916) | 32 | SPD00916 | Rear door rollers (859) | 84 | SPD00859 |
| Chassis 1 (921) | 34 | SPD00921 | Bale shape indicator [From serial no 801350] (865) | 86 | SPD00865 |
| Chassis 2 (922) | 36 | SPD00922 | Netter | | |
| Axle Hyd-brake (941) | 38 | SPD00941 | Netter 1 (855) | 88 | SPD00855 |
| Axle Air-brake (942) | 40 | SPD00942 | Netter 2 (738) | 90 | SPD00738 |
| Air brake kit (818) | 42 | SPD00818 | Net tensioner 1 (928) | 92 | SPD00928 |
| Wheels & Mudguards (923) | 44 | SPD00923 | Net tensioner 2 (929) | 94 | SPD00929 |
| Chains & Belts (924) | 46 | SPD00924 | Wrapping | | |
| Panels LH (925) | 48 | SPD00925 | Transfer cradle (932) | 96 | SPD00932 |
| Panels RH (926) | 50 | SPD00926 | Rear wrapping cradle (953) | 98 | SPD00953 |
| Bale chamber | | | | | |

| Section | Page No | Document No | Section | Page No | Document No |
|--|---------|-------------|---------|---------|-------------|
| Dispenser ring (810) | 100 | SPD00810 | | | |
| Dispenser 1 (529) | 102 | SPD00529 | | | |
| Dispenser 2 (530) | 104 | SPD00530 | | | |
| Cut & Hold LH (814) | 106 | SPD00814 | | | |
| Cut & Hold RH (532) | 108 | SPD00532 | | | |
| Side tip [From Serial No 657661] (894) | 110 | SPD00894 | | | |
| Hydraulic & Electrical | | | | | |
| Hydraulic layout Fusion Vario (933) | 112 | SPD00933 | | | |
| Hydraulic layout hoses Vario (934) | 114 | SPD00934 | | | |
| Hydraulic valve main control Vario CVA00406 (937) | 116 | SPD00937 | | | |
| Hydraulic valve knives & floor [Selectable] CVA00345 (701) | 118 | SPD00701 | | | |
| Hydraulic valve rotation & tip CVA00378 (938) | 120 | SPD00938 | | | |
| Hydraulic rams pick-up reel CRA00186 (182) | 122 | SPD00182 | | | |
| Hydraulic rams cut & hold CRA00074 (549) | 124 | SPD00549 | | | |
| Hydraulic rams bale cradle CRA00558 (551) | 126 | SPD00551 | | | |
| Grease pipes V6 (871) | 128 | SPD00871 | | | |
| Oil & Grease fittings (553) | 130 | SPD00553 | | | |
| Oil system 1 (619) | 132 | SPD00619 | | | |
| Electrical control (931) | 134 | SPD00931 | | | |
| Electrical lighting kit [On Fusion 3 up to S No 659431 & Fusion Vario up to S No 900095] (816) | 136 | SPD00816 | | | |
| Electrical lighting kit [On Fusion 3 from S No 659432 & Fusion Vario from S No 900096] (950) | 138 | SPD00950 | | | |
| Decals | | | | | |
| Decals 1 (819) | 140 | SPD00819 | | | |
| Decals 2 (935) | 142 | SPD00935 | | | |
| Decals 3 (936) | 144 | SPD00936 | | | |

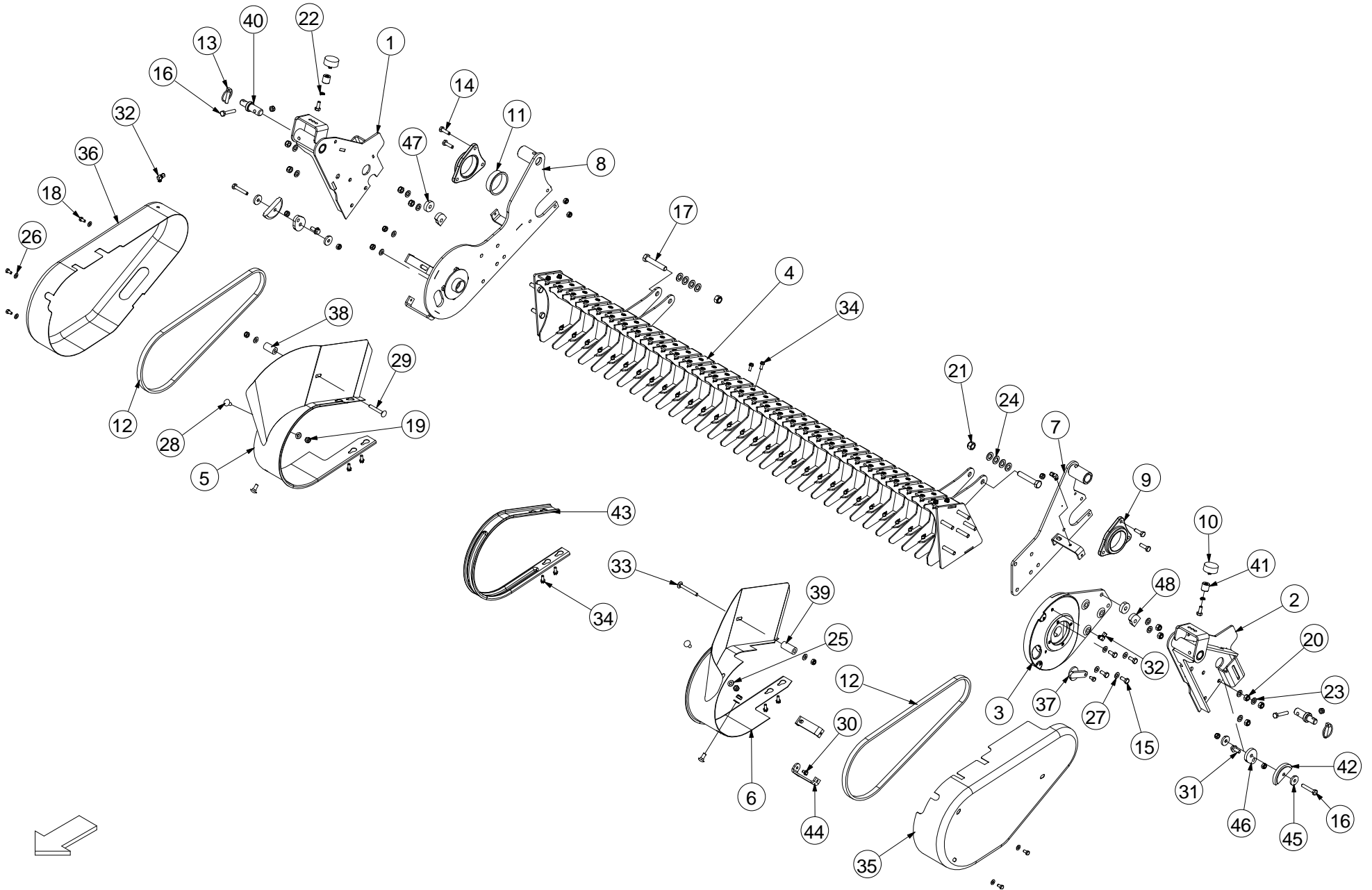
Pick-up reel shaft (805)



| No. | Part No | Description | Qty |
|---|----------|------------------------------------|-----|
| 1 | ACH02226 | REEL BEARING FLOATING ASSY | 5 |
| 2 | ACN00046 | PICK UP REEL SHAFT ASSY 5 BAR | 1 |
| <i>5 TINE BAR REEL (SHOWN)</i> | | | |
| 2 | ACH00309 | PICK UP REEL SHAFT ASSY 4 TINE | 1 |
| <i>USED ON 4 TINE BAR REEL ONLY</i> | | | |
| 3 | ALA00046 | TINE BAR ASSY REEL | 5 |
| 4 | ALA00177 | BUSHING CENTER (ASSY) REEL | 12 |
| 5 | CBR00072 | BEARING INA 2 BOLT RAE 30 NPPB | 5 |
| 6 | CBR00081 | BEARING CAM INA LR 5202 NPPU | 5 |
| 7 | CBR00092 | BEARING CIRCR FLNGE INA PME 35 | 2 |
| 8 | CFA00017 | SETSCREW M10X30 CUP SQ Z/P | 10 |
| 9 | CFA00024 | SETSCREW M10X25 Z/P | 12 |
| 10 | CFA00137 | WASHER SPRING 10MM H.D Z/P | 12 |
| 11 | CFA00217 | GREASE NIPPLE M6X1.0 ST | 2 |
| 12 | CFA00402 | CIRCLIP 30MM EXTERNAL | 5 |
| 13 | CFA00443 | NUT M10 SERRATED FLANGE (DIN 6923) | 10 |
| 14 | CFA00446 | NUT M12 HEXAGON LOCK/HALF NUT | 5 |
| 15 | CFA00512 | SHIM 35X45X1.0 Z/P | 3 |
| 16 | CFA00538 | SPIROL PIN 8X45 S/C | 20 |
| 17 | CFA00541 | NUT M10 BRINKS SELF LOCKING | 5 |
| 18 | CFA00624 | KEY 10x8x40 STRAIGHT | 2 |
| 19 | CFA00625 | M10 x 20 GRUBSCREW | 2 |
| 20 | CFA00725 | BOLT M10X65 SOC CAP | 5 |
| 21 | CFA02244 | TINE BOLT WASER FOR P/U REEL | 10 |
| 22 | CMH00621 | PLATWEHEEL 3/4" PITCH 40 T | 2 |
| 23 | CMH00672 | BOLT SHOULDER 3/4" H | 5 |
| 24 | CMH00843 | SHAFT 30X125 STEPPED & C-HOLES | 5 |
| 25 | CTN00008 | TINE PICK UP REEL BA | 65 |
| 26 | CTN00014 | TINE STRAIGHT PICK UP REEL | 10 |
| 27 | CTP00251 | CAM AXLE (FORGED) | 5 |
| 28 | CZC02139 | 3MM L PU TINE BAR ANGLE 8 HOLE | 5 |
| <i>USED ALONG WITH CZC02140 UP TO SERIAL No 709517 (F5), 802178 (V6)</i> | | | |
| 28 | CZC02140 | 3MM L PU TINE BAR ANGLE 7 HOLE | 5 |
| <i>USED ALONG WITH CZC02139 UP TO SERIAL No 709517 (F5), 802178 (V6)</i> | | | |
| 28 | CZC04325 | 3MM L PU TINE BAR ANGLE 5 HOLE | 15 |
| <i>USED FROM SERIAL No 709518 (F5), 802179 (V6)</i> | | | |
| 29 | CZD02325 | 4MM L WASHER 30X58X4 Z/P | 5 |
| 30 | CZD04424 | 4MM L GRASS GUARD 5 TINE BAR REEL | 1 |
| 31 | CZD04425 | GRASS GUARD 5 TINE BAR REEL | 1 |
| <i>USED ON 5 TINE BAR REEL ONLY (SHOWN)</i> | | | |
| 31 | CZD02285 | 4MM L REEL GRASS PLATE 4 TINE | 4 |
| <i>USED ON 4 TINE BAR REEL ONLY</i> | | | |
| 32 | CZD04701 | 4MM L REEL SHAFT BOLT ON END PLATE | 1 |
| 33 | CZD04702 | 4MM L REEL SHAFT BOLT ON END PLATE | 1 |
| 34 | CZE00156 | 5MM L WASHER 35X55X5 Z/P | 1 |
| 35 | CZF02215 | 6MM L WASHER 10.5X50X6 Z/P | 2 |
| 36 | KST00058 | KIT BOLTS FOR PICKUP TINES X10 | 7 |
| <i>INCLUDES BOLTS, NUTS & WASHERS (SOLD IN MULTIPLES OF 10)</i> | | | |
| 38 | APU00005 | 5 TINE CENTER DISK REPAIR KIT | 2 |
| <i>(INCLUDES ITEM 4) QTY WAS 1x PRIOR TO SERIAL No 709518 (F5), 802179 (V6)</i> | | | |

| No. | Part No | Description | Qty |
|-----|---------|-------------|-----|
|-----|---------|-------------|-----|

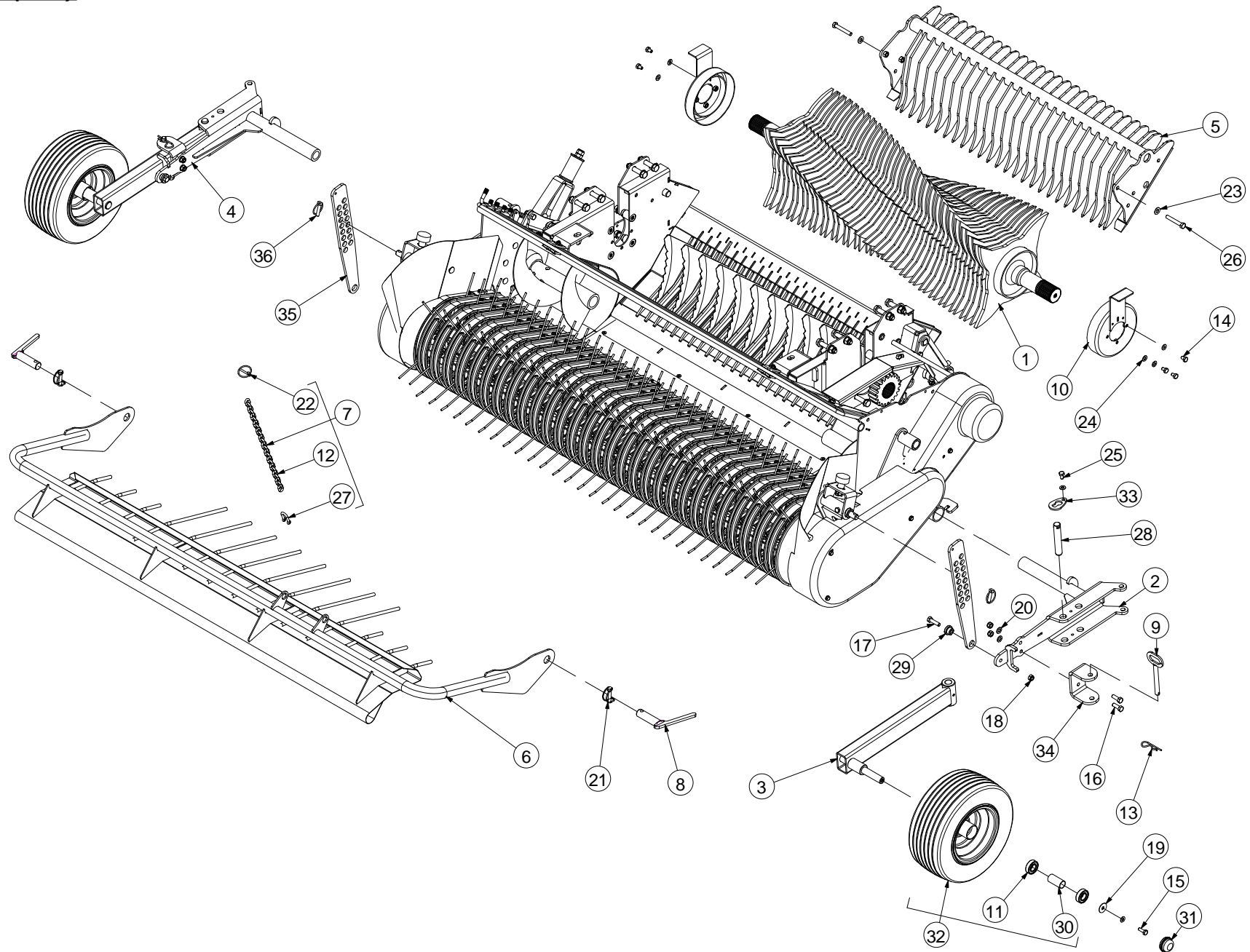
Pick-up reel chassis (804)



| No. | Part No | Description | Qty |
|--|----------|------------------------------------|-----|
| 1 | ACH00298 | REEL WELD ASSY OUTER (RIGHT) | 1 |
| 2 | ACH00301 | REEL WELD ASSY OUTER (LEFT) | 1 |
| 3 | ACH00308 | CAM TRACK ASSY | 1 |
| <i>INCLUDES ITEMS 15, 27, 30, 44 & CTP00252</i> | | | |
| 3 | CTP00252 | CAM TRACK CAST | 1 |
| 3 | ACH00354 | CAM TRACK (DUTCH) | 1 |
| <i>FOR DUTCH MACHINES ONLY</i> | | | |
| 4 | ACH01004 | REEL BACK PLATE WELD ASSY | 1 |
| 5 | ACH02315 | OUTER BAND RHS | 1 |
| 6 | ACH02316 | OUTER BAND LHS | 1 |
| 7 | ACH02351 | REEL INNER BRACKET LEFT FUSION II | 1 |
| 8 | ACH02352 | REEL INNER BRACKET RIGHT FUSION II | 1 |
| 9 | ALA00314 | PICKUP REEL PIVOT BRACKET KIT | 1 |
| <i>KIT CONTAINS 2 HOUSINGS & 2 IGUS BEARINGS (ITEM 11)</i> | | | |
| 10 | CBE00182 | BUFFER RUBBER 50X21 M10X13 | 2 |
| 11 | CBR00274 | BEARING IGLIDUR GFM-7680-25 | 2 |
| 12 | CCH02026 | CHAIN ASA60H 3/4" 78 INC LINK | 2 |
| 13 | CFA00005 | LINCH PIN 10MM | 2 |
| 14 | CFA00016 | BOLT M10X35 | 4 |
| 15 | CFA00024 | SETSCREW M10X25 Z/P | 6 |
| 16 | CFA00027 | BOLT M10X60 Z/P | 4 |
| 17 | CFA00063 | BOLT M16X90 Z/P | 2 |
| 18 | CFA00101 | SETSCREW M8X16 Z/P | 7 |
| 19 | CFA00123 | NUT M10 NYLOC | 20 |
| 20 | CFA00124 | NUT M12 NYLOC | 10 |
| 21 | CFA00128 | NUT M16 NYLOC | 2 |
| 22 | CFA00137 | WASHER SPRING 10MM H.D Z/P | 2 |
| 23 | CFA00138 | WASHER FLAT 12MM Z/P | 10 |
| 24 | CFA00140 | WASHER FLAT 16MM Z/P | 8 |
| 25 | CFA00201 | WASHER FLAT 10 MM Z/P | 6 |
| 26 | CFA00249 | WASHER SKM8 | 6 |
| 27 | CFA00251 | WASHER SKM10 | 8 |
| 28 | CFA00442 | SETSCREW M10X25 CUP SQ | 4 |
| 29 | CFA00474 | BOLT M10X70 CUP SQUARE ZP | 1 |
| 30 | CFA00492 | SETSCREW M8X12 FLANGED Z/P | 2 |
| 31 | CFA00520 | SETSCREW M10X25 FLD ZP | 2 |
| 32 | CFA00542 | OILER FITTING 90 DEG 1/8" BSP | 3 |
| <i>FITTING WITH NUT & OLIVE (USED ON FUSION ONLY)</i> | | | |
| 32 | CFA02253 | 90 DEG. 1/8" 4MM QUICK CONNECTOR | 3 |
| <i>PUSH-IN FITTING (USED ON F5 & V6 ONLY)</i> | | | |
| 33 | CFA00546 | BOLT M10X85 CUP HEAD SQ Z/P | 1 |
| 34 | CFA00766 | SETSCREW M8X20 FLANGED DIN6921 Z/P | 130 |
| 35 | CGD00034 | GUARD REEL LEFT HAND | 1 |
| 36 | CGD00036 | GUARD REEL RIGHT SIDE | 1 |
| 37 | CGD00050 | CAM TRACK BLANKING CAP | 1 |
| 38 | CMH00740 | BUSH 12X25X45 | 1 |
| 39 | CMH00741 | BUSH 12X25X55 | 1 |
| 40 | CMH01035 | PIN 25X97 AND12MM CH (Z/P) | 2 |
| 41 | CMH01088 | BUSH 10X25X25 THREADED Z/P | 2 |
| 42 | CPL00043 | PLASTIC CHAIN TENSIONER (REEL) | 2 |

| No. | Part No | Description | Qty |
|-----|----------|----------------------------------|-----|
| 43 | CTP00048 | BAND PICK UP REEL (BALER) | 29 |
| 44 | CZF04369 | 6MM L CAM TRACK BRAC | 2 |
| 45 | CZF05111 | 6MM L PART SPACER | 4 |
| 46 | CZH02907 | 10MM L WASHER 10X50 FLAT SIDE ZP | 2 |
| 47 | CZI02045 | 12MM L WASHER 39.5X12.5X12 | 2 |
| 48 | CZI02046 | 12MM L WASHER DOWEL | 2 |

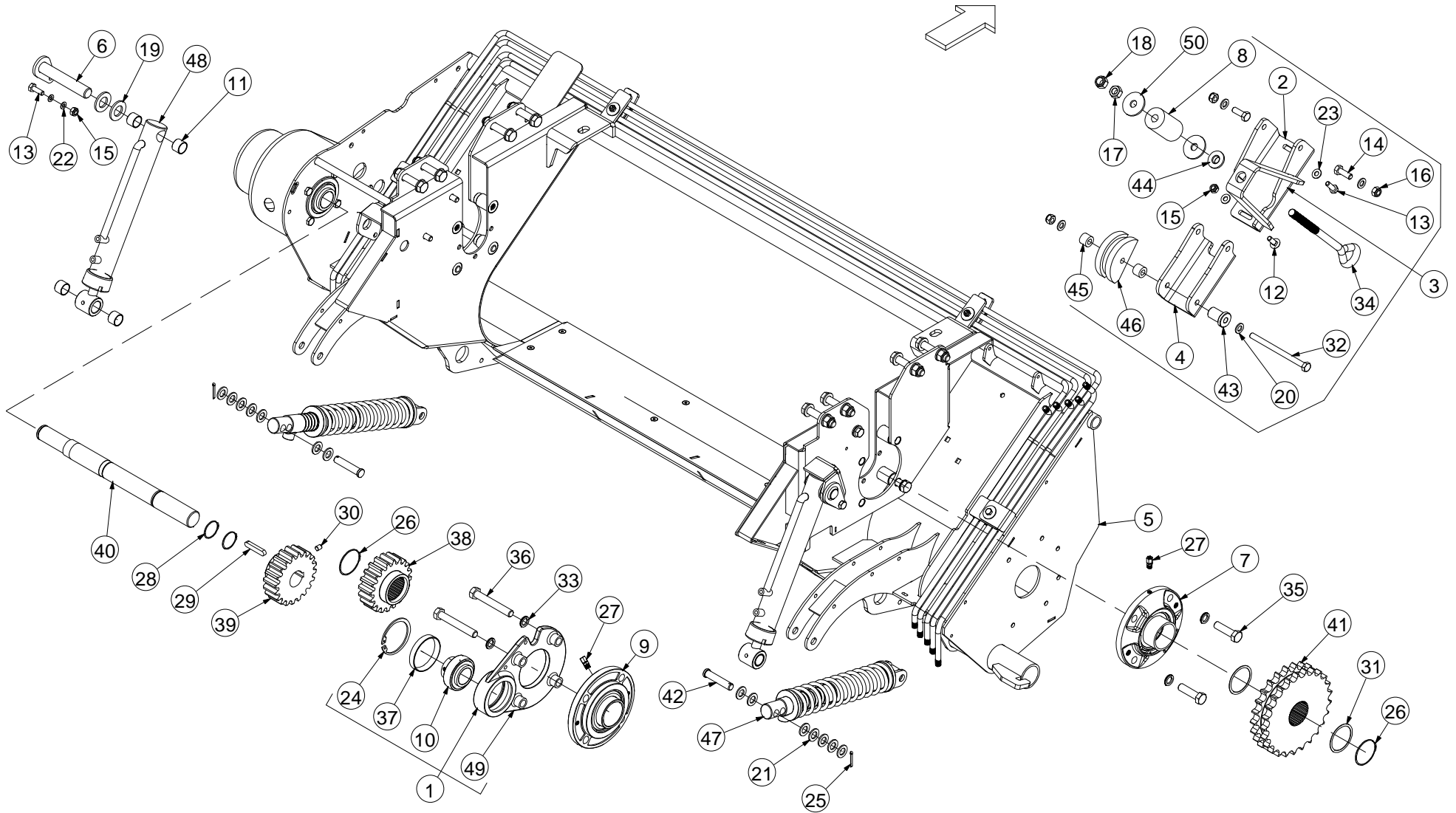
Pick-up 3 (901)



| No. | Part No | Description | Qty |
|--|----------|-------------------------------------|-----|
| 1 | ACH00317 | ROTOR 23 - 25 KNIFE WELD ASSY | 1 |
| 1a | CZF02684 | 6MML ROTOR PLATE (23-25 KNIFE) | AR |
| <i>REPLACEMENT ROTOR FINGER PLATE (NOTE: THERE ARE 2 FINGER PLATES PER FLIGHT)</i> | | | |
| 1 | ACH00573 | ROTOR 15 KNIFE WELD ASSY | 1 |
| 1a | CZG02136 | 8MM L ROTOR PLATE (0-15 KNIFE) | AR |
| <i>REPLACEMENT ROTOR FINGER PLATE (NOTE: THERE ARE 2 FINGER PLATES PER FLIGHT)</i> | | | |
| 1 | ACH01353 | KOREAN ROTOR (12MM FINGERS) 2 STAR | 1 |
| <i>KOREAN (2 STAR ROTOR) MACHINES ONLY</i> | | | |
| 2 | ACH00908 | PICKUP WHEEL HINGE WELD ASSY | 2 |
| 3 | ACH00909 | PICKUP GUIDE WHEEL WELD ASSY | 2 |
| 4 | ACH00911 | PICKUP GUIDE WHEEL COMP ASSY | 2 |
| 5 | ALA00634 | COMB 25 KNIFE V6 RANGE | 1 |
| 5 | ACH01046 | COMB WELD 15 KNIFE BELT BALER MKII | 1 |
| 5 | ACH01385 | COMB ASSY V660 KOREA (2 STAR ROTOR) | 1 |
| <i>KOREAN (2 STAR ROTOR) MACHINES ONLY</i> | | | |
| 6 | ACH02331 | GRASS GUARD ASSY FUSION | 1 |
| 7 | ACN00065 | GRASS GUARD CHAIN ASSY FUSION | 1 |
| <i>CHAIN ASM INCLUDES SHACKLE & LINCH-PIN</i> | | | |
| 8 | ALA00035 | HINGE PIN REEL FRONT | 2 |
| 9 | ALA00036 | PIN WHEEL HINGE ASSY. | 2 |
| 10 | ARC00227 | GRASS GUARD 23K ROTOR END SPUN | 2 |
| <i>25K MACHINES ONLY</i> | | | |
| 10 | ARC00182 | ROTOR SEAL RING ASM (KOREA) M1 | 2 |
| <i>15K & KOREAN MACHINES ONLY</i> | | | |
| 11 | CBR00009 | BEARING 6205 2RS | 4 |
| 12 | CCH02039 | CHAIN 7x22X25 LINKS | 1 |
| 13 | CFA00004 | R-CLIP 4MM | 2 |
| 14 | CFA00022 | SETSCREW M10X16 Z/P | 6 |
| 15 | CFA00025 | SETSCREW M10X30 | 7 |
| 16 | CFA00033 | SETSCREW M12X35 Z/P | 4 |
| 17 | CFA00079 | BOLT M12X45 | 2 |
| 18 | CFA00124 | NUT M12 NYLOC | 6 |
| 19 | CFA00134 | WASHER MUDWING M10X38MM OD | 2 |
| 20 | CFA00138 | WASHER FLAT 12MM Z/P | 4 |
| 21 | CFA00194 | LINCH PIN PIPE 10MMX50MM | 2 |
| 22 | CFA00202 | LINCH PIN 6MM | 1 |
| 23 | CFA00250 | WASHER SKM12 | 4 |
| 24 | CFA00251 | WASHER SKM10 | 8 |
| 25 | CFA00293 | SETSCREW M10X20 Z/P | 2 |
| 26 | CFA00384 | BOLT M12X80 | 4 |
| 27 | CFA00676 | D SHACKLE 8MM | 1 |
| 28 | CMH00675 | PIN 25 X 140 MILLED FOR CAP Z/P | 2 |
| 29 | CMH00771 | BUSH 12X35 STEPPED | 2 |
| 30 | CMH00838 | BUSH 27X30.25X62 REEL WHEEL | 2 |
| 31 | CTP00070 | DUST CAP 170/60-8 VREDESTEIN | 2 |
| 32 | CWH00037 | WHEEL 170/60 -8 (V 64) | 2 |
| <i>WHEEL ASM INCLUDES BUSHING & BEARINGS</i> | | | |
| 33 | CZF00293 | 6MM L CAP SHORT FOR 25MM PINS | 2 |
| 34 | CZH02472 | 10MM L WHEEL GUIDE PART | 2 |
| 35 | CZH02522 | 10MM L WHEEL GUIDE PART | 2 |

| No. | Part No | Description | Qty |
|-----|----------|----------------|-----|
| 36 | CFA00005 | LINCH PIN 10MM | 2 |

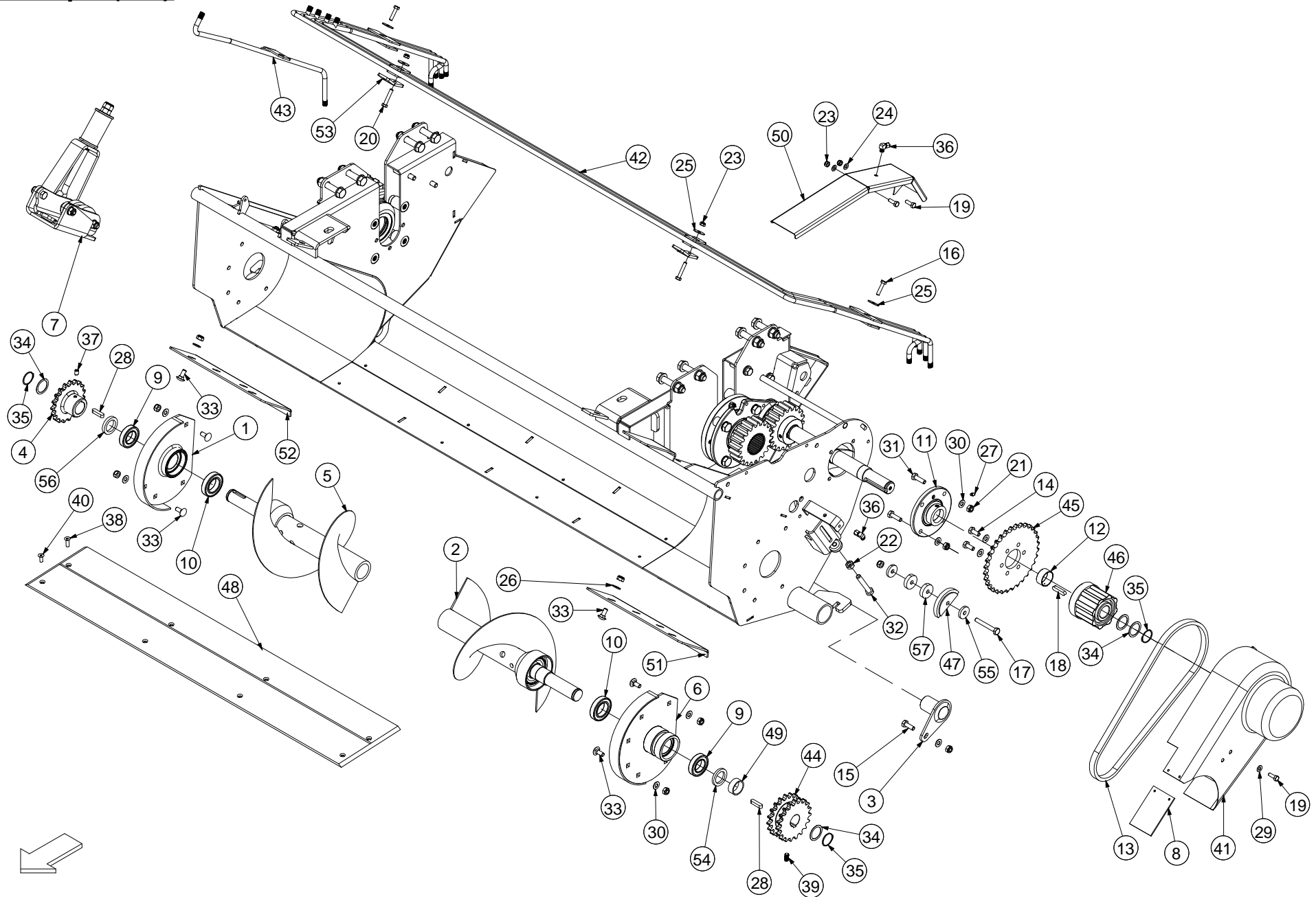
Pick-up 4 (896)



| No. | Part No | Description | Qty |
|---|----------|-------------------------------------|-----|
| 1 | ACH00331 | BEARING HOLDER ASSY | 1 |
| <i>INCLUDES ITEMS 10, 24, 37 & 49</i> | | | |
| 2 | ACH00864 | DUPLEX CHAIN TENSIONER BASE | 1 |
| 3 | ACH00865 | DUPLEX TENSIONER (SP | 1 |
| <i>COMPLETE ASSEMBLY</i> | | | |
| 4 | ACH02294 | DUPLEX TENSIONER WELD ASSY | 1 |
| 5 | ACH02311 | CHOPPER CHASSIS COMP WELD ASSY | 1 |
| 6 | ALA00247 | DROP FLOOR RAM PIN Z/P | 2 |
| 7 | ARC00067 | ROTOR BEARING HOUSING ASSY | 1 |
| 8 | CBE00174 | RUBBER SPRING 17X50X85 | 1 |
| 9 | CBR00078 | BEARING FEC 60 4 BOLT FLANGE | 1 |
| 10 | CBR00093 | BEARING INSERT INA GYE 40 KRRB | 1 |
| 11 | CBR00101 | BEARING GLACIER PM 2525 DX | 8 |
| 12 | CFA00017 | SETSCREW M10X30 CUP SQ Z/P | 1 |
| 13 | CFA00025 | SETSCREW M10X30 | 3 |
| 14 | CFA00033 | SETSCREW M12X35 Z/P | 2 |
| 15 | CFA00123 | NUT M10 NYLOC | 17 |
| 16 | CFA00124 | NUT M12 NYLOC | 3 |
| 17 | CFA00127 | NUT M16 | 1 |
| 18 | CFA00128 | NUT M16 NYLOC | 9 |
| 19 | CFA00135 | WASHER FLAT 1" Z/P | 4 |
| 20 | CFA00138 | WASHER FLAT 12MM Z/P | 4 |
| 21 | CFA00140 | WASHER FLAT 16MM Z/P | 16 |
| 22 | CFA00147 | WASHER FLAT 8MM Z/P | 4 |
| 23 | CFA00201 | WASHER FLAT 10 MM Z/P | 10 |
| 24 | CFA00232 | CIRCLIP 85MM INTERNAL | 1 |
| 25 | CFA00450 | SPLIT PIN 4 X36 Z/P | 2 |
| 26 | CFA00513 | CIRCLIP 60MM EXTERNAL | 2 |
| 27 | CFA00550 | ROTOR BEARING GREASE FITTING | 2 |
| 28 | CFA00551 | CIRCLIP 40MM EXTERNAL | 2 |
| 29 | CFA00558 | KEY 12X8X60 | 1 |
| 30 | CFA00559 | GRUBSCREW M10X12 | 1 |
| 31 | CFA00637 | SHIM 60X70X1 | 2 |
| 32 | CFA00747 | BOLT M12X170Z/P | 1 |
| 33 | CFA00783 | WASHER NL16 NORD-LOCK | 8 |
| 34 | CFA00784 | EYE BOLT M16X360 (DUPLEX TENSIONER) | 1 |
| 35 | CFA00786 | BOLT M16X60 Z/P DIN931 GRADE 10.9 | 4 |
| 36 | CFA00787 | BOLT M16X100 Z/P DIN931 GRADE 10.9 | 4 |
| 37 | CMH00245 | BEARING RETAINER 1040 35MM | 1 |
| 38 | CMH00652 | GEAR SPUR MOD6 20 TOOTH SPLINE | 1 |
| 39 | CMH00653 | GEAR SPUR MOD6 20T 40MM ID | 1 |
| 40 | CMH00657 | SHAFT 40 X 480.5 STEPPED | 1 |
| 41 | CMH00659 | SPROCKET 1" PITCH 25 T DUPLEX | 1 |
| 42 | CMH00961 | PIN CLEVIS 16X80 & DIA 4 C.HOLE | 2 |
| 43 | CMH01022 | BUSH 8X35X45 STEPPED | 1 |
| 44 | CMH01109 | WASHER 17X40X12 Z/P | 1 |
| 45 | CMH01110 | BUSH 12X25X19.5 | 2 |
| 46 | CPL00055 | CHAIN TENSIONER SLIDE 1"DUPLEX | 1 |
| 47 | CRA00186 | RAM PICKUP BALER | 2 |

| No. | Part No | Description | Qty |
|--------------------------|----------|--------------------------------|-----|
| 48 | CRA00193 | RAM CHOPPER FLOOR 20X40 BW | 2 |
| 49 | CTP00391 | BEARING HOLDER ASSY SPUR GEARS | 1 |
| <i>REPLACES ACH00330</i> | | | |
| 50 | CZD04321 | 4MM L WASHER 16X55X4 Z/P | 2 |

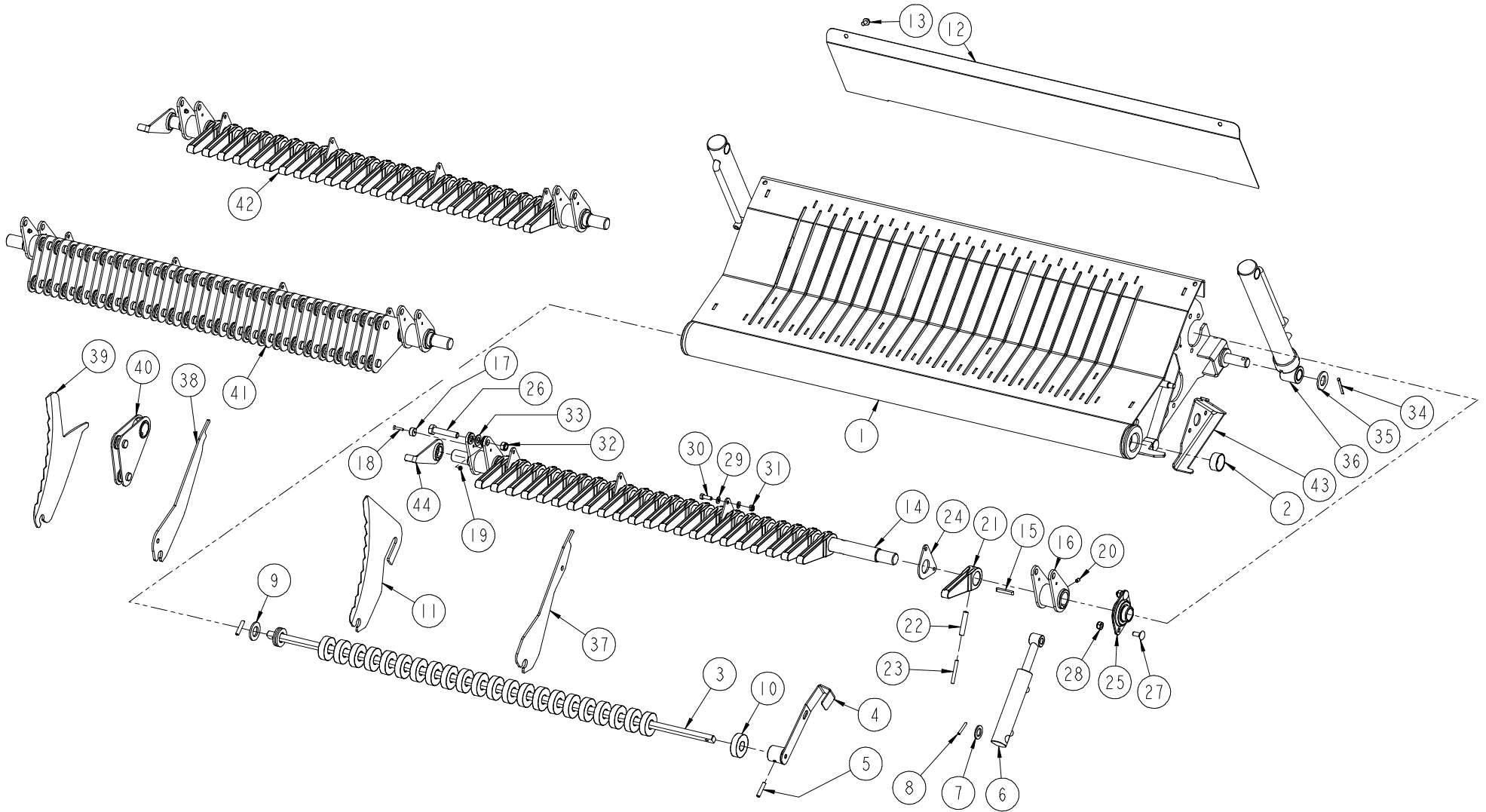
Pick-up 5 (897)



| No. | Part No | Description | Qty |
|--|----------|---|-----|
| 1 | ACH00313 | BEARING HOUSING WELD ASSY. | 1 |
| 2 | ACH00314 | AUGER LEFT SIDE | 1 |
| 3 | ACH00321 | PIN CHOPPER FLOOR HINGE Z/P | 2 |
| 4 | ACH00326 | SPROCKET AUGER ASSY. (RIGHT) | 1 |
| 5 | ACH00327 | AUGER ASSY (RIGHT) | 1 |
| 6 | ACH00423 | BEARING HOUSING WELD ASSY. | 1 |
| 7 | ACH00865 | DUPLEX TENSIONER (SP | 1 |
| 8 | CBE00033 | RUBBER 120X80 CHAIN GUARD BALER | 1 |
| 9 | CBR00001 | BEARING 6007 2RS | 2 |
| 10 | CBR00076 | BEARING 6008 2RS | 2 |
| 11 | CBR00104 | BEARING INA TME 40 GE 40 KPPB3 | 1 |
| 12 | CBR00268 | BEARING GLACIER DU 4 | 1 |
| 13 | CCH02025 | SLIP-CLUTCH CHAIN ASA60H 3/4" 62 INC LINK | 1 |
| 14 | CFA00024 | SETSCREW M10X25 Z/P | 6 |
| 15 | CFA00025 | SETSCREW M10X30 | 3 |
| 16 | CFA00055 | BOLT M8X35 Z/P | 2 |
| 17 | CFA00075 | BOLT M10X75 Z/P | 1 |
| 18 | CFA00081 | KEY 10X8X45 | 1 |
| 19 | CFA00102 | SETSCREW M8X25 Z/P | 3 |
| 20 | CFA00106 | BOLT M8X45 Z/P | 2 |
| 21 | CFA00123 | NUT M10 NYLOC | 28 |
| 22 | CFA00125 | NUT M12 Z/P | 1 |
| 23 | CFA00132 | NUT M8 NYLOC Z/P | 4 |
| 24 | CFA00147 | WASHER FLAT 8MM Z/P | 2 |
| 25 | CFA00149 | WASHER MUDWING M8 31.75OD | 4 |
| 26 | CFA00201 | WASHER FLAT 10 MM Z/P | 10 |
| 27 | CFA00217 | GREASE NIPPLE M6X1.0 ST | 1 |
| 28 | CFA00239 | KEY 10X8X40 | 2 |
| 29 | CFA00249 | WASHER SKM8 | 1 |
| 30 | CFA00251 | WASHER SKM10 | 24 |
| 31 | CFA00311 | SETSCREW M10X35 Z/P | 4 |
| 32 | CFA00330 | BOLT M12X80 Z/P | 1 |
| 33 | CFA00442 | SETSCREW M10X25 CUP SQ | 19 |
| 34 | CFA00512 | SHIM 35X45X1.0 Z/P | 4 |
| 35 | CFA00514 | CIRCLIP 35MM EXTERNAL | 3 |
| 36 | CFA00542 | OILER FITTING 90 DEG 1/8" BSP | 2 |
| 37 | CFA00559 | GRUBSCREW M10X12 | 1 |
| 38 | CFA00582 | SETSCREW M8X25 CSK ZP | 4 |
| 39 | CFA00625 | M10 x 20 GRUBSCREW | 1 |
| 40 | CFA00765 | SETSCREW M8X20 CSK ZP | 4 |
| 41 | CGD00057 | GUARD SLIPCLUTCH PICKUP REEL | 1 |
| 42 | CHY02606 | PIPE ASSY HYD CHOPPER UNIT | 1 |
| 43 | CHY02786 | STEEL PIPE WELD ASSY | 1 |
| <i>USED WITH SELECTABLE KNIFE CHOPPER UNITS ONLY</i> | | | |
| 44 | CMH00633 | SPROCKET 3/4" PITCH 19T DOUBLE | 1 |
| 45 | CMH00727 | PLATEWHEEL 3/4" PITCH 32T | 1 |
| 46 | CMT00063 | CLUTCH PICK-UP (900 Nm) | 1 |
| 47 | CPL00043 | PLASTIC CHAIN TENSIONER (REEL) | 1 |
| 48 | CPL00087 | NYLON STRIP | 1 |

| No. | Part No | Description | Qty |
|-----|----------|-------------------------------|-----|
| 49 | CXT00259 | TUBE 42.4X3X16 | 1 |
| 50 | CZB02160 | 1.5MM L SPUR GEAR GUARD BALER | 1 |
| 51 | CZD02227 | 4MM L AUGER CLEANING PLATE LH | 1 |
| 52 | CZD04345 | 4MM L AUGER CLEANING PLATE RH | 1 |
| 53 | CZF02904 | 6MM L GUARD BRACKET BALER | 2 |
| 54 | CZF05110 | 6MM L SPACER | 1 |
| 55 | CZF05111 | 6MM L PART SPACER | 2 |
| 56 | CZG02115 | 8MM L AUGER SPACER | 1 |
| 57 | CZH02584 | 10MM L WASHER 40X10.5 Z/P | 2 |

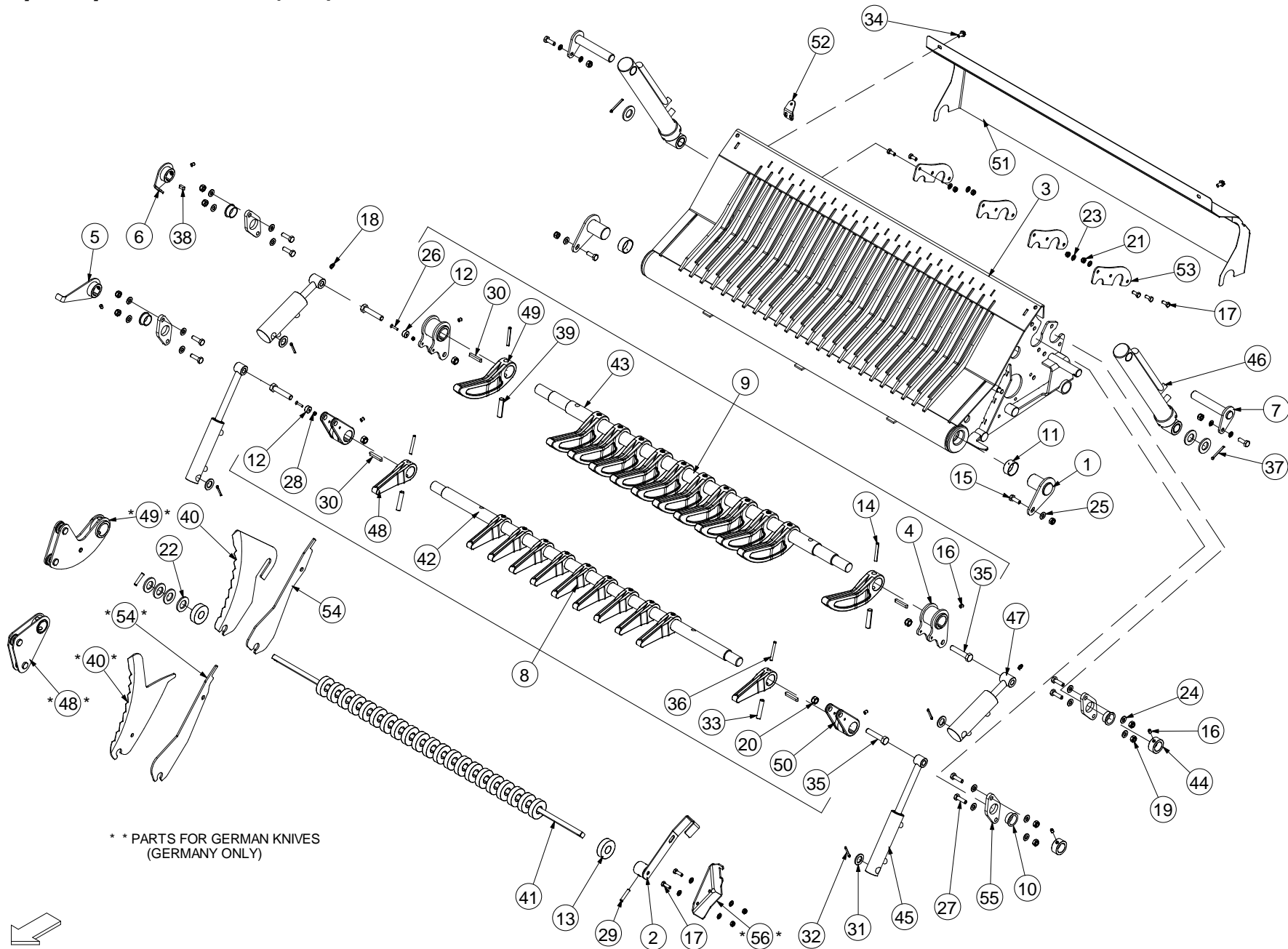
Pick-up drop floor (393)



| No. | Part No | Description | Qty |
|--|----------|--------------------------------|-----|
| 1 | ACH02586 | 25K DROP FLOOR WELD ASSY | 1 |
| <i>25 KNIFE CHOPPERS FROM SERIAL No 656829 (FUSION) & SERIAL No 708118 (F5000) [Specify Machine/Serial No/Year]</i> | | | |
| 1 | ACH02325 | 23K DROP FLOOR WELD ASSY | 1 |
| <i>23 KNIFE FUSION CHOPPER UNITS UP TO SERIAL No 656828 (FUSION) [Specify Machine/Serial No/Year]</i> | | | |
| 1 | ACH00299 | 23K KNIFE FLOOR WELD ASM F5 | 1 |
| <i>23 KNIFE F5 CHOPPER UNITS UP TO SERIAL No 708117 (F5000) [Specify Machine/Serial No/Year]</i> | | | |
| 2 | CBR00268 | BEARING GLACIER DU 4 | 2 |
| 3 | CMH00641 | SHAFT 22 X 1310 | 1 |
| 4 | ACH00323 | KNIFE RELEASE LEVER ASSY | 1 |
| 5 | CFA00009 | ROLL PIN 8X40 | 2 |
| 6 | CRA00185 | RAM KNIFE ACTUATION BW | 2 |
| 6 | CRA00713 | RAM KNIFE CHOPPING ADJ END | 2 |
| <i>ALTERNATIVE OPTION (TO CRA00185) WHICH ALLOWS ADJUSTMENT TO SET KNIFE CUTTING HEIGHT</i> | | | |
| 7 | CFA00413 | WASHER FLAT 20MM Z/P | 4 |
| 8 | CFA00073 | ROLL PIN 6X40 | 2 |
| 9 | CFA00135 | WASHER FLAT 1" Z/P | 4 |
| 10 | CEL00154 | MAGNET 60 X24 X 17 | 25 |
| 11 | CKN00014 | KNIFE CHOPPER UNIT | 25 |
| <i>STANDARD KNIVES</i> | | | |
| 12 | CZB02203 | 1.5MM L GRASS GUARD CHOPPER F5 | 1 |
| 13 | CFA00519 | SETSCREW M8X16 FLD ZP | 1 |
| 14 | CMH01477 | SHAFT 35X1315 (25 K BAR) | 1 |
| <i>25 KNIFE CHOPPERS FROM SERIAL No 656829 (FUSION) & SERIAL No 708118 (F5000) [Specify Machine/Serial No/Year]</i> | | | |
| 14 | CMH01068 | SHAFT35X1305 (23K BAR) | 1 |
| <i>23 KNIFE CHOPPERS UP TO SERIAL No 656828 (FUSION) & SERIAL No 708117 (F5000) [Specify Machine/Serial No/Year]</i> | | | |
| 15 | CFA00387 | KEY 8X7X50 | 2 |
| 16 | CTP00372 | KNIFE RAM ACTUATOR CAST | 2 |
| <i>REPLACES ACH02286</i> | | | |
| 17 | CEL00059 | MAGNET 20 X 10 260369 | 1 |
| 18 | CFA00261 | SETSCREW M5X25 CSK HEX SS | 1 |
| 19 | CFA00348 | NUT M5 NYLOC SS | 1 |
| 20 | CFA00051 | GRUBSCREW M8X10 | 2 |
| 21 | CTP00266 | KNIFE ACTUATOR ARM | 25 |
| 22 | CFA00504 | ROLL PIN 12X60 ZP | 25 |
| 23 | CFA00642 | ROLL PIN M7X60 | 25 |
| 24 | CZD04279 | 4MM L KNIFE ARM LOCK BAR | 4 |
| 25 | CBR00072 | BEARING INA 2 BOLT RAE 30 NPPB | 2 |
| 26 | CFA00547 | BOLT M14X70 Z/P | 2 |
| 27 | CFA00068 | BOLT M10X25 CUP SQ. Z/P | 4 |
| 28 | CFA00123 | NUT M10 NYLOC | 4 |
| 29 | CFA00147 | WASHER FLAT 8MM Z/P | 16 |
| 30 | CFA00102 | SETSCREW M8X25 Z/P | 8 |
| 31 | CFA00132 | NUT M8 NYLOC Z/P | 8 |
| 32 | CFA00126 | NUT M14 NYLOC | 2 |
| 33 | CFA00222 | WASHER FLAT 14MM Z/P | 8 |
| 34 | CFA00669 | SPLIT PIN 8X50 Z/P | 2 |
| 35 | CFA00135 | WASHER FLAT 1" Z/P | 6 |
| 36 | CRA00193 | RAM CHOPPER FLOOR 20 | 2 |
| 37 | CZE00143 | 5MM L KNIFE BLANK BALER | 12 |
| <i>STANDARD KNIVES</i> | | | |

| No. | Part No | Description | Qty |
|--|----------|--------------------------------|-----|
| 38 | CZE00168 | 5MM L KNIFE BLANK (GERMAN) | 12 |
| <i>GERMAN KNIVES ONLY</i> | | | |
| 39 | CKN00016 | KNIFE FOR GERMAN DROP FLOOR | 23 |
| <i>GERMAN KNIVES ONLY</i> | | | |
| 40 | ACN00055 | KNIFE HOLDER GERMAN | 23 |
| <i>GERMAN KNIVES ONLY</i> | | | |
| 41 | ALA00204 | 23 KNIFE ARM ASSY (GERMAN) | 1 |
| <i>23K-GERMAN KNIVES-UP TO SERIAL No 656828 (FUSION) & SERIAL No 708117 (F5000) [Specify Machine/Serial No/Year]</i> | | | |
| 42 | ALA00550 | 25 KNIFE BAR COMPLETE ASSY | 1 |
| <i>25 KNIFE STANDARD FROM SERIAL No 656829 (FUSION) & SERIAL No 708118 (F5000) [Specify Machine/Serial No/Year]</i> | | | |
| 42 | ALA00202 | 23 KNIFE ARM ASSY (STANDARD) | 1 |
| <i>23 KNIFE STANDARD UP TO SERIAL No 656828 (FUSION) & SERIAL No 708117 (F5000) [Specify Machine/Serial No/Year]</i> | | | |
| 43 | CZD02356 | LOCK BRACKET FOR GERMAN | 1 |
| <i>FOR GERMAN CHOPPER UNITS ONLY. (MUST ALSO ORDER 2x CFA00025 BOLT, CFA00201 WASHER & CFA00123 NUT)</i> | | | |
| 44 | ACN00101 | KNIFE MAGNET LEVER ASSY (25 K) | 1 |
| <i>25 KNIFE ONLY</i> | | | |
| 44a | CFA00402 | CIRCLIP 30MM EXTERNAL ZP | 1 |
| 44b | CFA00949 | KEY 8X7X10 | 1 |

Pick-up drop floor select (803)

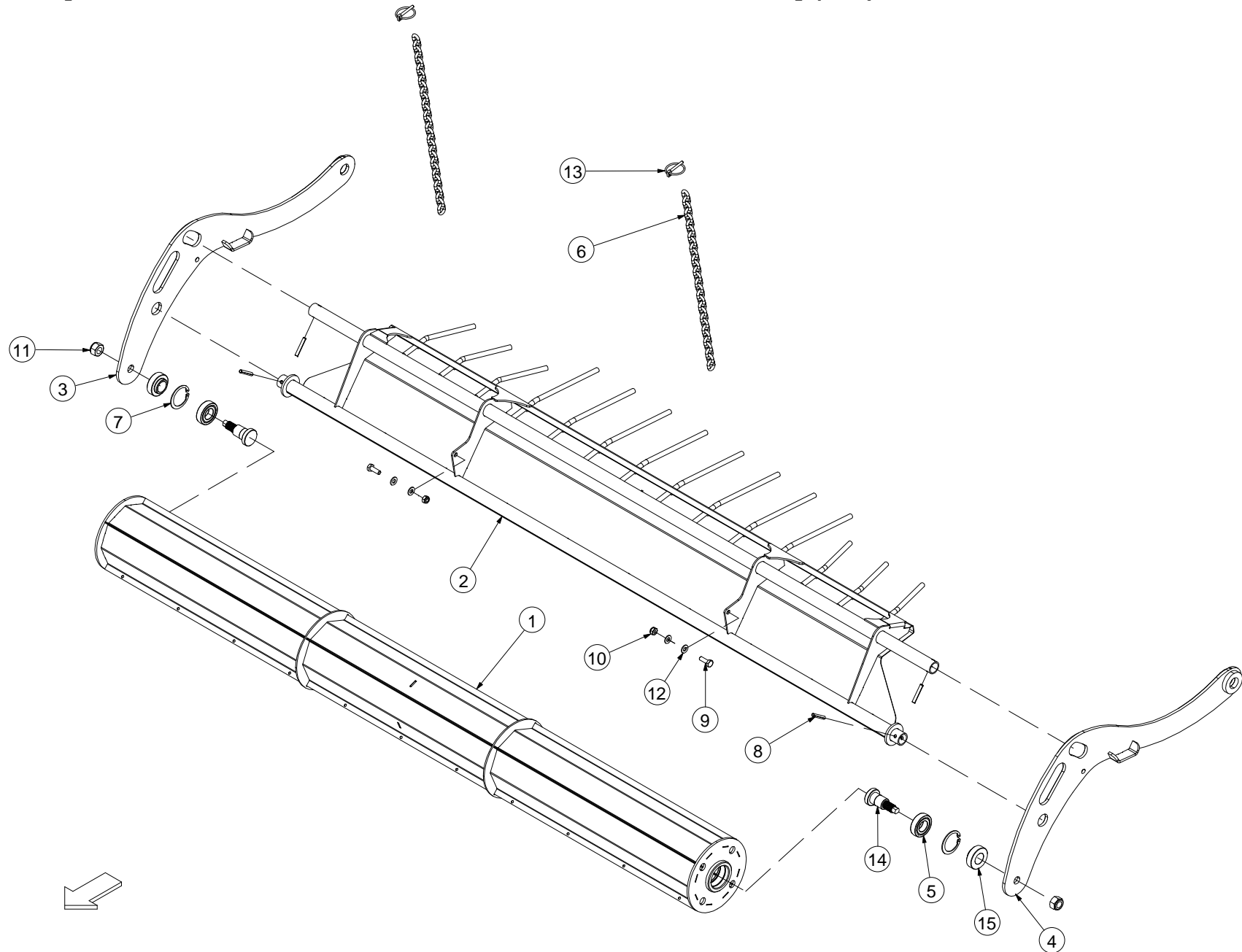


** PARTS FOR GERMAN KNIVES
(GERMANY ONLY)

| No. | Part No | Description | Qty |
|---|----------|------------------------------------|-----|
| 1 | ACH00321 | PIN CHOPPER FLOOR HINGE Z/P | 2 |
| 2 | ACH00323 | KNIFE RELEASE LEVER ASSY | 1 |
| 3 | ACH01337 | DROP FLOOR WELD ASM 25K SELECT | 1 |
| 3 | ACH01093 | DROP FLOOR WELD ASM 23K SELECT | 1 |
| 3 | ACH01113 | DROP FLOOR WELD ASM 15K SELECT | 1 |
| 4 | ACH01096 | KNIFE ACTUATOR SELECT KNIFE | 2 |
| 5 | ACN00147 | KNIFE ARM SELECTABLE FLOOR | 1 |
| <i>FROM SERIAL NO 656829/708243/801354 FOR FUSION/F5/V6 (REPLACES ACN00089)</i> | | | |
| 6 | ACN00127 | KNIFE LEVER ARM SELECTABLE FLOOR | 1 |
| <i>FROM SERIAL NO 656829/708243/801354 FOR FUSION/F5/V6</i> | | | |
| 7 | ALA00247 | DROP FLOOR RAM PIN Z/P | 2 |
| 8 | ALA00577 | 25K SELECT KNIFE ARM 1 ASSY | 1 |
| 8 | ALA00436 | 23K SELECT KNIFE ARM 1 ASSY | 1 |
| 8 | ALA00460 | 15K SELECT KNIFE ARM 1 ASSY | 1 |
| 8 | ALA00630 | 25K GERMAN SELECT ARM 1 ASSY | 1 |
| <i>** GERMAN KNIVES (25 KNIFE) COMPLETE ARM ASM (GERMANY ONLY)</i> | | | |
| 8 | ALA00488 | 23K GERMAN SELECT FRONT ARM ASSY | 1 |
| <i>** GERMAN KNIVES (23 KNIFE) COMPLETE ARM ASM (GERMANY ONLY)</i> | | | |
| 8 | ALA00466 | 15K GERMAN SELECT ARM 1 ASSY | 1 |
| <i>** GERMAN KNIVES (15 KNIFE) COMPLETE ARM ASM (GERMANY ONLY)</i> | | | |
| 9 | ALA00437 | 23-25K SELECT KNIFE ARM 2 ASSY | 1 |
| 9 | ALA00461 | 15K SELECT KNIFE ARM 2 ASSY | 1 |
| 9 | ALA00489 | 23-25K GERMAN SELECT ARM 2 ASSY | 1 |
| <i>** GERMAN KNIVES (23 OR 25 KNIFE) COMPLETE ARM ASM (GERMANY ONLY)</i> | | | |
| 9 | ALA00465 | 15K GERMAN SELECT KNIFE ARM 2 ASSY | 1 |
| <i>** GERMAN KNIVES (15 KNIFE) COMPLETE ARM ASM (GERMANY ONLY)</i> | | | |
| 10 | CBR00068 | BEARING 30X34X16 STEPPED PLAS | 4 |
| 11 | CBR00268 | BEARING GLACIER DU 4 | 2 |
| 12 | CEL00059 | MAGNET 20 X 10 260369 | 2 |
| <i>UP TO SERIAL NO 656828/708242/801353 FOR FUSION/F5/V6</i> | | | |
| 13 | CEL00154 | MAGNET 60 X24 X 17 | 25 |
| 14 | CFA00642 | ROLL PIN 7X60 ZP | 12 |
| <i>UP TO SERIAL NO 657563/708623/801687 FOR FUSION/F5/V6</i> | | | |
| 14 | CFA00011 | ROLL PIN 8X60 DIN 1481 | 12 |
| <i>FROM SERIAL NO 657564/708624/801688 FOR FUSION/F5/V6</i> | | | |
| 15 | CFA00025 | SETSCREW M10X30 | 4 |
| 16 | CFA00051 | GRUBSCREW M8X10 | 8 |
| 17 | CFA00102 | SETSCREW M8X25 Z/P | 17 |
| 18 | CFA00118 | GREASE NIPPLE M8X1.25 STRAIGHT | 2 |
| 19 | CFA00123 | NUT M10 NYLOC | 12 |
| 20 | CFA00126 | NUT M14 NYLOC | 4 |
| 21 | CFA00132 | NUT M8 NYLOC Z/P | 17 |
| 22 | CFA00135 | WASHER FLAT 1" Z/P | 8 |
| 23 | CFA00147 | WASHER FLAT 8MM Z/P | 19 |
| 24 | CFA00201 | WASHER FLAT 10 MM Z/P | 16 |
| 25 | CFA00251 | WASHER SKM10 | 2 |
| 26 | CFA00261 | SETSCREW M5X25 CSK HEX SS | 2 |
| 27 | CFA00311 | SETSCREW M10X35 Z/P | 8 |
| 28 | CFA00348 | NUT M5 NYLOC SS | 2 |
| 29 | CFA00380 | ROLL PIN 8X40 Z/P | 2 |
| 30 | CFA00387 | KEY 8X7X50 | 4 |

| No. | Part No | Description | Qty |
|--|----------|----------------------------------|-----|
| 31 | CFA00413 | WASHER FLAT 20MM Z/P | 4 |
| 32 | CFA00475 | SPLIT PIN 5X40 Z/P | 4 |
| 33 | CFA00504 | ROLL PIN 12X60 ZP | 13 |
| 34 | CFA00519 | SETSCREW M8X16 FLD ZP | 2 |
| 35 | CFA00547 | BOLT M14X70 Z/P | 4 |
| 36 | CFA00642 | ROLL PIN M7X60 | 13 |
| 37 | CFA00669 | SPLIT PIN 8X50 Z/P | 2 |
| 38 | CFA00883 | KEY 8X7X20 | 1 |
| 39 | CFA00504 | ROLL PIN 12X60 ZP | 12 |
| <i>UP TO SERIAL NO 657563/708623/801687 FOR FUSION/F5/V6</i> | | | |
| 39 | CFA01009 | ROLL PIN 14 X 60 Z/P DIN 1481 | 12 |
| <i>FROM SERIAL NO 657564/708624/801688 FOR FUSION/F5/V6</i> | | | |
| 40 | CKN00014 | KNIFE CHOPPER UNIT STANDARD | 25 |
| 40 | CKN00016 | KNIFE FOR FLOOR (GERMANY ONLY) | 25 |
| 41 | CMH00641 | SHAFT 22 X 1310 MAGNET | 1 |
| 42 | CMH01496 | SHAFT 35X1320 (25 KNIFE SELECT) | 1 |
| 42 | CMH01225 | SHAFT 35X1300 (23 KNIFE SELECT) | 1 |
| 42 | CMH01069 | SHAFT 35X1300 (15 KNIFE SELECT) | 1 |
| 43 | CMH01308 | SHAFT 40X1320 23-25 KNIFE SELECT | 1 |
| 43 | CMH01358 | SHAFT 40X1305 15 KNIFE SELECT | 1 |
| 44 | CMH01314 | BUSH 30X45X20 | 2 |
| 45 | CRA00185 | RAM KNIFE ACTUATION BW | 2 |
| 46 | CRA00193 | RAM CHOPPER FLOOR 20X40 BW | 2 |
| 47 | CRA00637 | RAM 45X20 SELECT KNIFE | 2 |
| 48 | CTP00266 | KNIFE ACTUATOR ARM STANDARD | 13 |
| 48 | ACN00055 | KNIFE HOLDER GERMAN 12MM HOLE | 13 |
| <i>** GERMAN KNIVES (GERMANY ONLY)</i> | | | |
| 49 | CTP00360 | KNIFE ARM SELECTABLE STANDARD | 12 |
| <i>STANDARD KNIVES (MUST ALSO ORDER LARGER ROLL PINS CFA00011 & CFA01009)</i> | | | |
| 49 | ALA00467 | KNIFE ARM ASSY SELECT GERMAN | 12 |
| <i>** GERMAN KNIVES (MUST ALSO ORDER LARGER ROLL PINS CFA00011 & CFA01009)</i> | | | |
| 50 | CTP00372 | KNIFE RAM ACTUATOR | 2 |
| 51 | CZB00230 | 1.5MM D-FLOOR SELECT GUARD F5 | 1 |
| 51 | AGD00002 | SELECTABLE DROP FLOOR GUARD V6 | 1 |
| 52 | CZC04421 | 3MM L DROP FLOOR MAGNET BRACKET | 1 |
| <i>USED ON F5500 ONLY</i> | | | |
| 53 | CZD02628 | 4MM L DROP FLOOR PART | 5 |
| 54 | CZE00143 | 5MM L KNIFE BLANK BLR STANDARD | 1 |
| 54 | CZE00168 | 5MM KNIFE BLANK (GERMANY ONLY) | 1 |
| 55 | CZH03537 | 10MM L SHAFT BUSH BRACKET | 4 |
| 56 | CZD02647 | 4MM GERMAN KNIFE LOCK BRACKET | 1 |

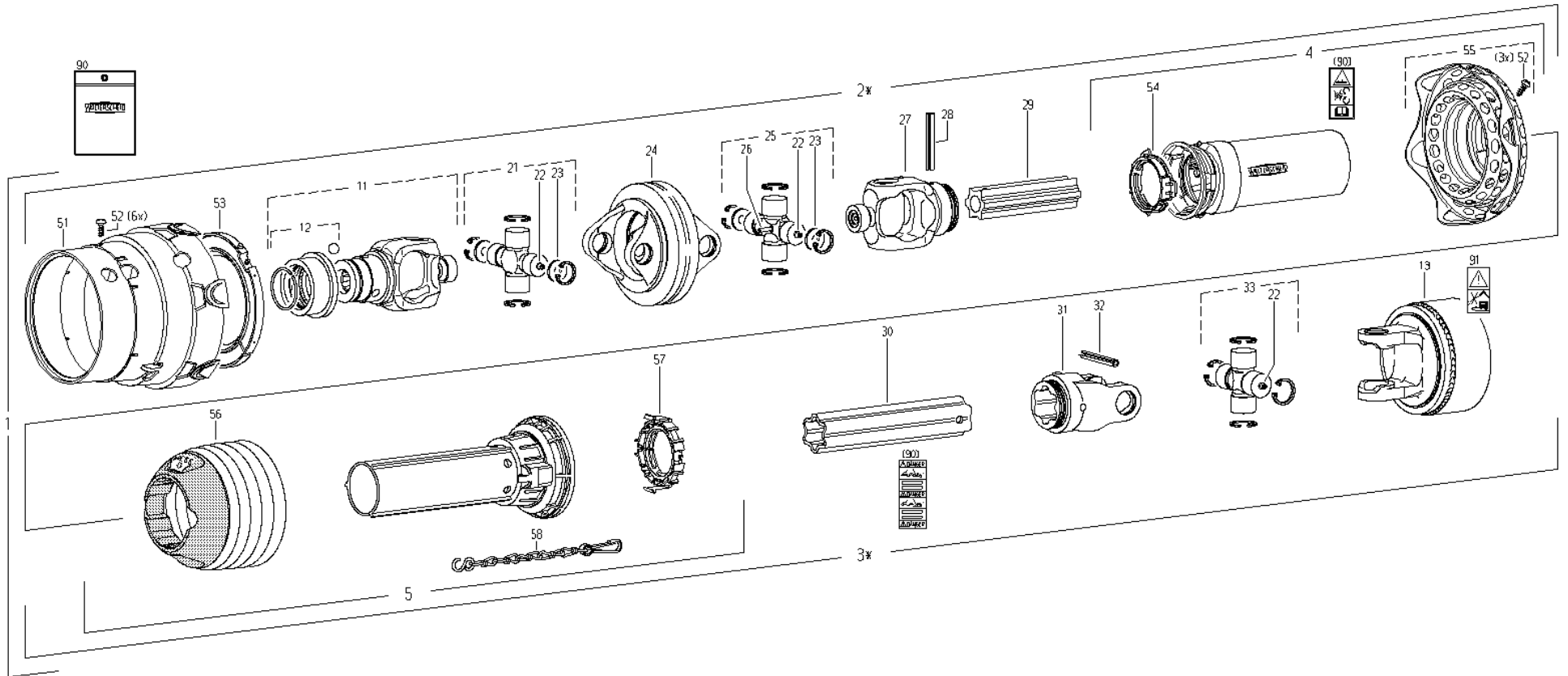
Crop roller [On Fusion-F5-V6 from Serial No 655681-706661-800616] (775)



| No. | Part No | Description | Qty |
|--------------------------|----------|-----------------------------------|-----|
| 1 | ARC00324 | CROP ROLLER WELD ASSY SMALL | 1 |
| 2 | ARC00325 | CROP ROLLER COVER PLATE ASSY | 1 |
| 3 | ARC00326 | CROP ROLLER SIDE PLATE ASSY (RHS) | 1 |
| 4 | ARC00327 | CROP ROLLER SIDE PLATE ASSY (LHS) | 1 |
| 5 | CBR00299 | BEARING 206 NPPB 30MM SPHERICAL | 2 |
| 6 | CCH00186 | CHAIN 7X20 X 30 LINKS | 2 |
| 7 | CFA00002 | CIRCLIP INTERNAL 20X1 DIN 472 | 2 |
| 8 | CFA00010 | ROLL PIN 8X50 Z/P | 4 |
| 9 | CFA00025 | SETSCREW M10X30 ZP | 2 |
| <i>REPLACES CFA00016</i> | | | |
| 10 | CFA00123 | NUT M10 NYLOC | 2 |
| 11 | CFA00129 | NUT M20 NYLOC | 2 |
| 12 | CFA00201 | WASHER FLAT 10 MM Z/P | 4 |
| 13 | CFA00202 | LINCH PIN 6MM | 2 |
| 14 | CMH00148 | SHAFT 30X95 M20 THREAD | 2 |
| 15 | CMH01445 | BUSH 30X50X25 Z/P | 2 |

| No. | Part No | Description | Qty |
|-----|---------|-------------|-----|
|-----|---------|-------------|-----|

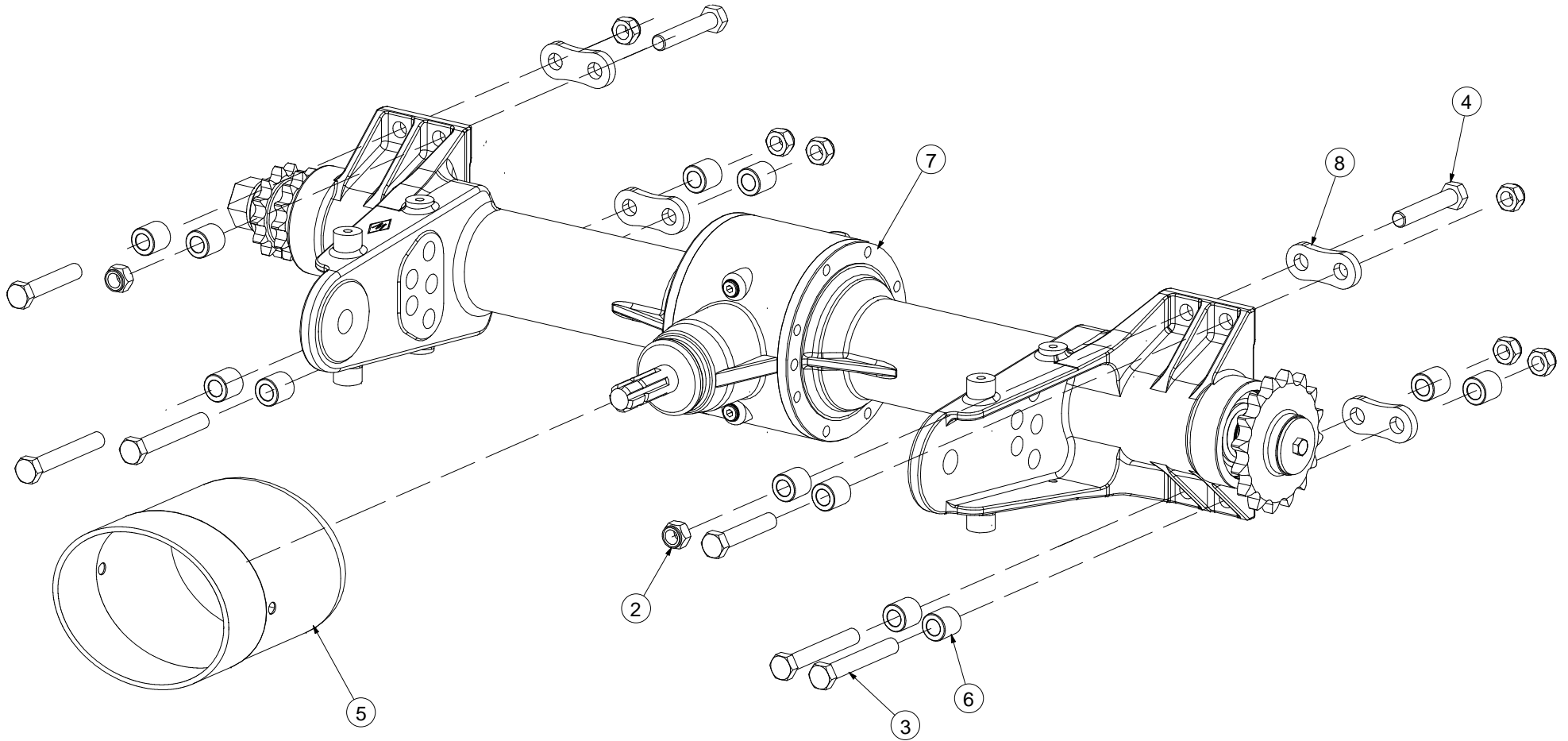
PTO shaft [PWE580]



| No. | Part No | Description | Qty |
|-----|----------|--|-----|
| 1 | CMT00230 | PTO SHAFT P580 FUSION2 +2011 | 1 |
| 2 | CMT00255 | PTO SHAFT TRACTOR HALF P580 2011 | 1 |
| 3 | CMT00256 | PTO SHAFT BALER HALF P580 2011 | 1 |
| 4 | CMT00231 | PTO GUARD TRACTOR SIDE | 1 |
| 5 | CMT00232 | PTO GUARD BALER SIDE | 1 |
| 11 | CMT00233 | YOKE COMPLETE HD PTO | 1 |
| | | <i>WITH STD METAL PULL RING</i> | |
| 11 | CMT00338 | YOKE COMPLETE HD PTO QS | 1 |
| | | <i>WITH BLACK PLASTIC QS AUTO SNAP RING</i> | |
| 12 | CMT00212 | KIT QUICK RELEASE HD PTO | 1 |
| | | <i>STD METAL PULL RING</i> | |
| 12 | CMT00337 | KIT QUICK RELEASE HD PTO QS | 1 |
| | | <i>BLACK PLASTIC QS AUTO SNAP RING</i> | |
| 13 | CMT00213 | CLUTCH CAM TYPE | 1 |
| 13a | CMT00202 | SPRING PACK CLUTCH 2350NM K64/22 | 1 |
| | | <i>REPLACEMENT INTERNAL CLUTCH 150NM HIGHER THAN STANDARD UNIT</i> | |
| 13b | CMT00158 | CLAMP PIN BALER PTO SHAFT 7540 | 1 |
| | | <i>BOLT-PIN TO SECURE PTO SHAFT TO PTO STUB ON MACHINE GEARBOX</i> | |
| 21 | CMT00235 | UNIVERSAL JOINT WIDE ANGLE | 2 |
| 22 | CFA00097 | GREASE NIPPLE | 3 |
| 23 | CMT00215 | PLATE DIA. 31.95X2 | 4 |
| 24 | CMT00234 | PTO DOUBLE YOKE | 1 |
| 25 | CMT00236 | UNIVERSAL JOINT WIDE ANGLE | 1 |
| 26 | CMT00237 | LUBRICATION FITTING | 1 |
| 27 | CMT00238 | PTO YOKE | 1 |
| 28 | CFA00629 | SPLIT PIN 10X80 | 1 |
| 29 | CMT00218 | PROFILE TUBE INNER | 1 |
| 30 | CMT00239 | PROFILE TUBE STAR OUTER | 1 |
| 31 | CMT00220 | YOKE PTO | 1 |
| 32 | CFA00871 | ROLL PIN 10X90 | 1 |
| 33 | CMT00240 | PTO UNIVERSAL JOINT | 1 |
| 51 | CMT00222 | GUARD CONE | 1 |
| 52 | CFA00630 | SCREW M4X10 FUSION PTO | 9 |
| 53 | CMT00170 | BEARING RING PTO FUSION | 1 |
| 54 | CMT00095 | BEARING RING SMALL FUSION PTO | 1 |
| 55 | CMT00189 | FLEXIBLE GUARD CONE | 1 |
| 56 | CMT00241 | PTO GUARD CONE | 1 |
| 57 | CMT00242 | PTO GUARD RING | 1 |
| 58 | CCH00046 | SAFETY CHAIN 400MM FUSION PTO | 1 |
| 90 | CLT00326 | PTO PWE580 INSTRUCTION MANUAL | 1 |
| 91 | CST00133 | DECAL NO HIGH PRESSURE CLEANER | 1 |

| No. | Part No | Description | Qty |
|-----|---------|-------------|-----|
|-----|---------|-------------|-----|

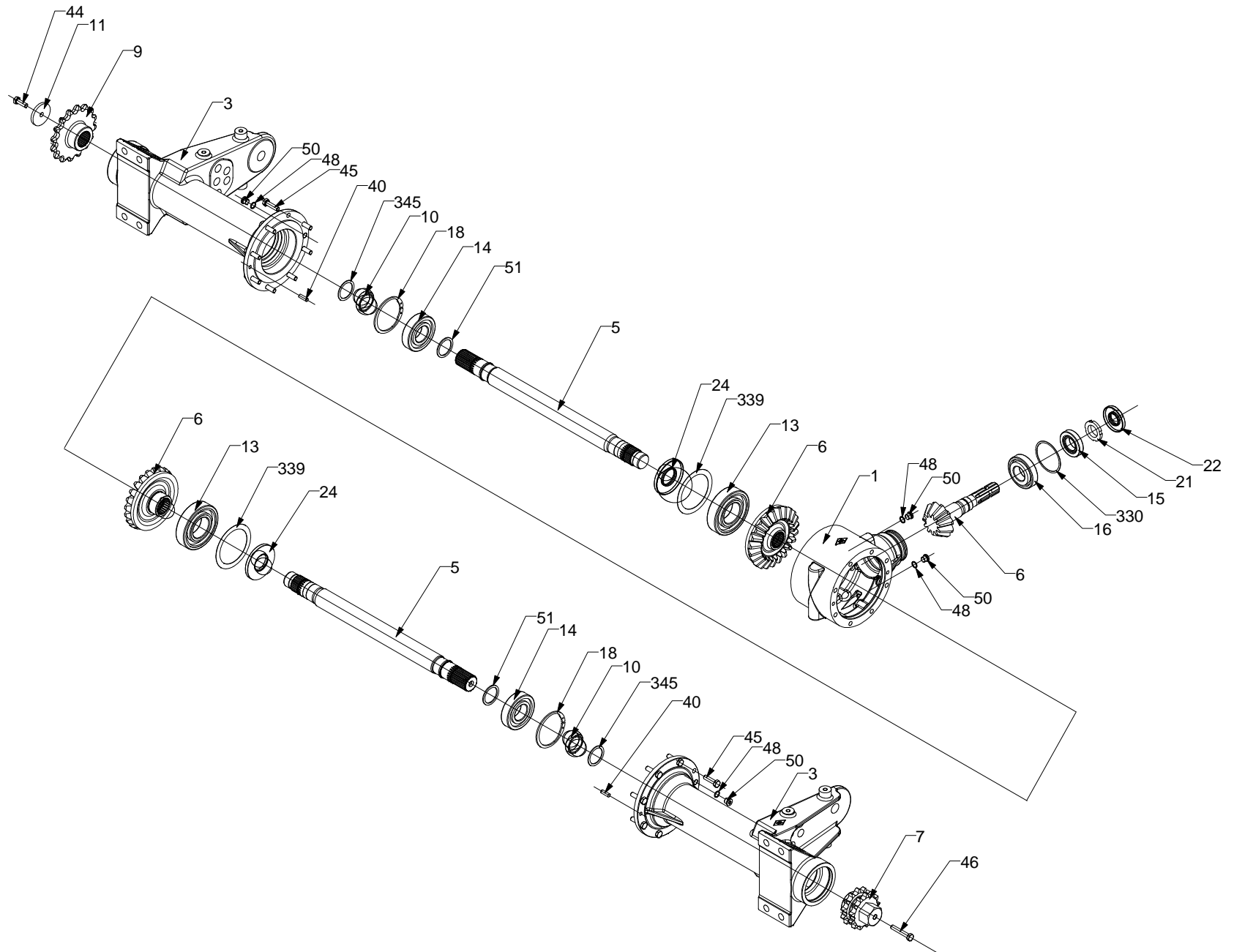
Gearbox 1 (831)



| No. | Part No | Description | Qty |
|-----|----------|-----------------------------------|-----|
| 2 | CFA00418 | NUT M20X1.5 NYLOC FINE GRADE 10.0 | 8 |
| 3 | CFA00785 | BOLT M20X140 FINE 10.9 SC | 4 |
| 4 | CFA02224 | BOLT M20X110X1.5 10.9 BLACK | 4 |
| 5 | CGD00037 | GUARD WALTERSCHEID GEARBOX | 1 |
| 6 | CMH01118 | BUSH 20.5X35X35 Z/P | 12 |
| 7 | CMT00166 | GEARBOX BALER WALTERSCHEID | 1 |
| 8 | CZI02039 | 12MM L CHASSIS PART FUSION | 4 |

| No. | Part No | Description | Qty |
|-----|---------|-------------|-----|
|-----|---------|-------------|-----|

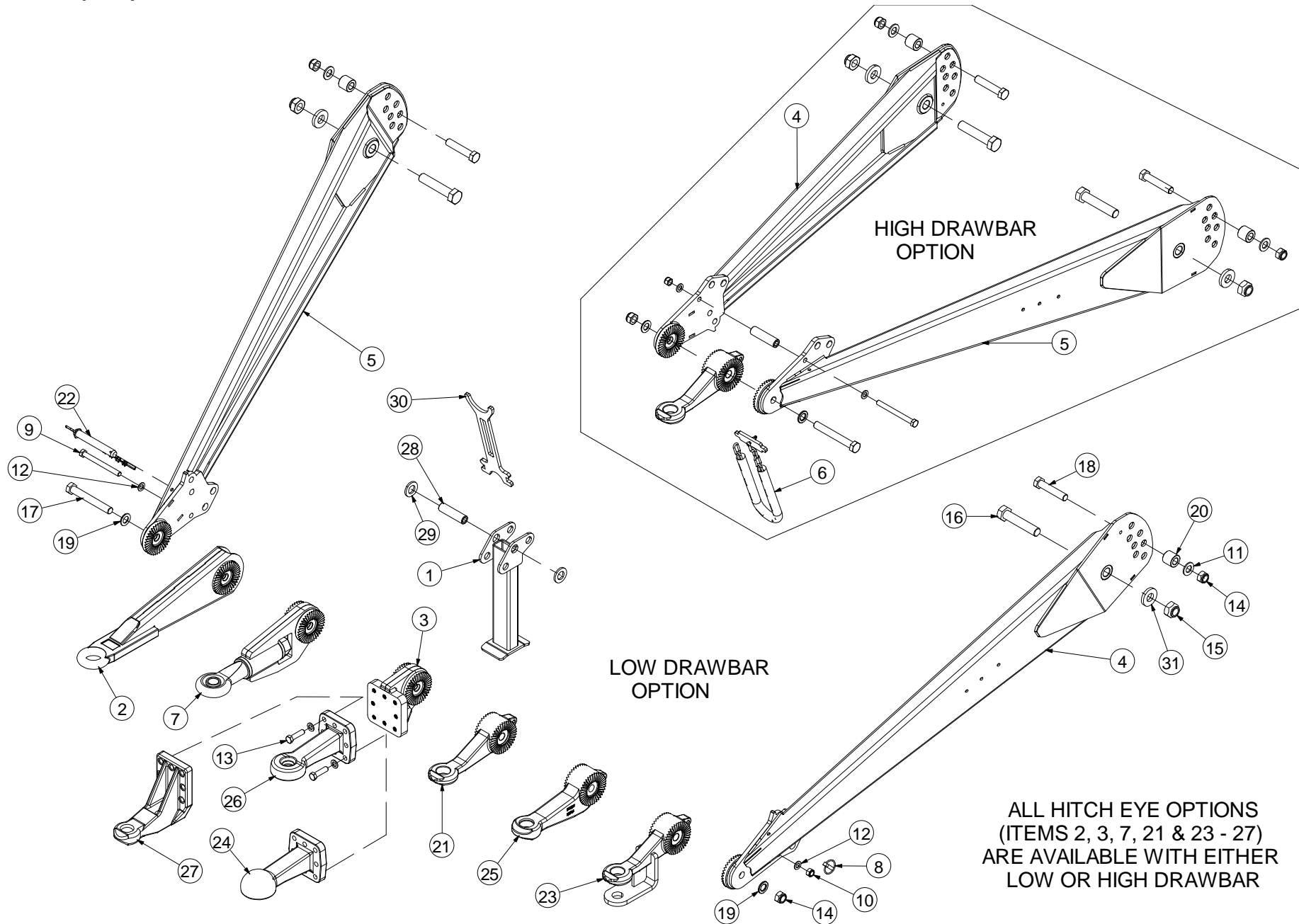
Gearbox 2 (490)



| No. | Part No | Description | Qty |
|--------------------------------|----------|------------------------------------|-----|
| 0 | CMT00166 | GEARBOX COMPLETE WALTERSCHEID | 1 |
| 1 | CMT00100 | GEAR CASE | 1 |
| <i>UP TO SERIAL NO. 654807</i> | | | |
| 1 | CMT00245 | GEAR CASE | 1 |
| <i>FROM SERIAL NO. 654808</i> | | | |
| 3 | CMT00187 | BEARING HOUSING | 2 |
| <i>UP TO SERIAL NO. 654807</i> | | | |
| 3 | CMT00246 | BEARING HOUSING | 2 |
| <i>FROM SERIAL NO. 654808</i> | | | |
| 5 | CMH00901 | REPLACEMENT SHAFT COMPLETE KIT | 2 |
| <i>UP TO SERIAL NO. 654807</i> | | | |
| 5 | CMH02505 | SHAFT | 2 |
| <i>FROM SERIAL NO. 654808</i> | | | |
| 6 | CMH00902 | GEAR SET CROWN+PINION FUSION WALT. | 1 |
| <i>UP TO SERIAL NO. 654807</i> | | | |
| 6 | CMH02461 | BEVEL GEAR PAIR AND PINION KIT | 1 |
| <i>FROM SERIAL NO. 654808</i> | | | |
| 7 | CMH02535 | SPROCKET 13T DUPLEX | 1 |
| 9 | CMH02531 | SPROCKET 1 1/4" 16T 50MM SPLINE | 1 |
| 10 | CMH00810 | BUSH 45X55X18 | 2 |
| 11 | CZE00115 | BALE SPLITTER WASHER | 1 |
| 13 | CBR00114 | BEARING 6213 C3 | 2 |
| <i>UP TO SERIAL NO. 654807</i> | | | |
| 13 | CBR00296 | BEARING 6313 C3 | 2 |
| <i>FROM SERIAL NO. 654808</i> | | | |
| 14 | CBR00113 | BEARING 6310 2RSR | 2 |
| 15 | CBR00115 | BEARING 30208A | 1 |
| 16 | CBR00116 | BEARING 30309A | 1 |
| 18 | CFA00652 | CIRCLIP 110X4 | 2 |
| 21 | CFA00653 | NUT M40X1.5 | 1 |
| 22 | CSE00132 | RADAIL SEAL 35X80X10 | 1 |
| 24 | CSE00133 | RADAIL SEAL 50X90X10 | 2 |
| <i>UP TO SERIAL NO. 654807</i> | | | |
| 24 | CSE00162 | SEAL RADIAL 50X110X10 | 2 |
| <i>FROM SERIAL NO. 654808</i> | | | |
| 40 | CFA00662 | CYLINDRICAL DOWEL M6X32 | 2 |
| 44 | CFA00033 | SETSCREW M12X35 Z/P | 1 |
| 45 | CFA00065 | SETSCREW M12X45 Z/P | 16 |
| 46 | CFA00036 | SETSCREW M12X70 Z/P | 1 |
| 48 | CSE00127 | SEAL O-RING COPPER GEARBOX FSN | 4 |
| 50 | CMT00073 | DRAIN PLUG GEARBOX FUSION | 4 |
| 51 | CMH00903 | BUSH | 2 |
| <i>UP TO SERIAL NO. 654807</i> | | | |
| 51 | CMH02460 | SPACER RING 50X62X3 DIN988 | 2 |
| <i>FROM SERIAL NO. 654808</i> | | | |
| 330 | CFA00654 | SHIM 90X100X0.1 | 2 |
| 330 | CFA00655 | SHIM 90X100X0.3 | 1 |
| 330 | CFA00656 | SHIM 90X100X0.5 | 1 |
| 330 | CFA00657 | SHIM 90X100X1.0 | 1 |
| 330 | CFA02237 | SHIM 90X100X0.15 | 1 |
| 339 | CFA00658 | SHIM 110X120X0.1 | 2 |
| <i>UP TO SERIAL NO. 654807</i> | | | |

| No. | Part No | Description | Qty |
|--------------------------------|----------|--------------------|-----|
| 339 | CFA00659 | SHIM 110X120X0.3 | 2 |
| <i>UP TO SERIAL NO. 654807</i> | | | |
| 339 | CFA00660 | SHIM 110X120X0.5 | 2 |
| <i>UP TO SERIAL NO. 654807</i> | | | |
| 339 | CFA00661 | SHIM 110X120X0.5 | 1 |
| <i>UP TO SERIAL NO. 654807</i> | | | |
| 339 | CFA02238 | SHIM 110X120X0.15 | 2 |
| <i>UP TO SERIAL NO. 654807</i> | | | |
| 339 | CFA00888 | SHIM 110X140X0.1 | 2 |
| <i>FROM SERIAL NO. 654808</i> | | | |
| 339 | CFA00889 | SHIM 110X140X0.3 | 2 |
| <i>FROM SERIAL NO. 654808</i> | | | |
| 339 | CFA00890 | SHIM 110X140X0.5 | 2 |
| <i>FROM SERIAL NO. 654808</i> | | | |
| 339 | CFA00891 | SHIM 110X140X1.0 | 1 |
| <i>FROM SERIAL NO. 654808</i> | | | |
| 345 | CFA02239 | SHIM 50X62X2.0 | 2 |
| 400 | REP00025 | GEARBOX REPAIR KIT | 1 |
| <i>UP TO SERIAL NO. 654807</i> | | | |
| 500 | REP00059 | GEARBOX REPAIR KIT | 1 |
| <i>FROM SERIAL NO. 654808</i> | | | |

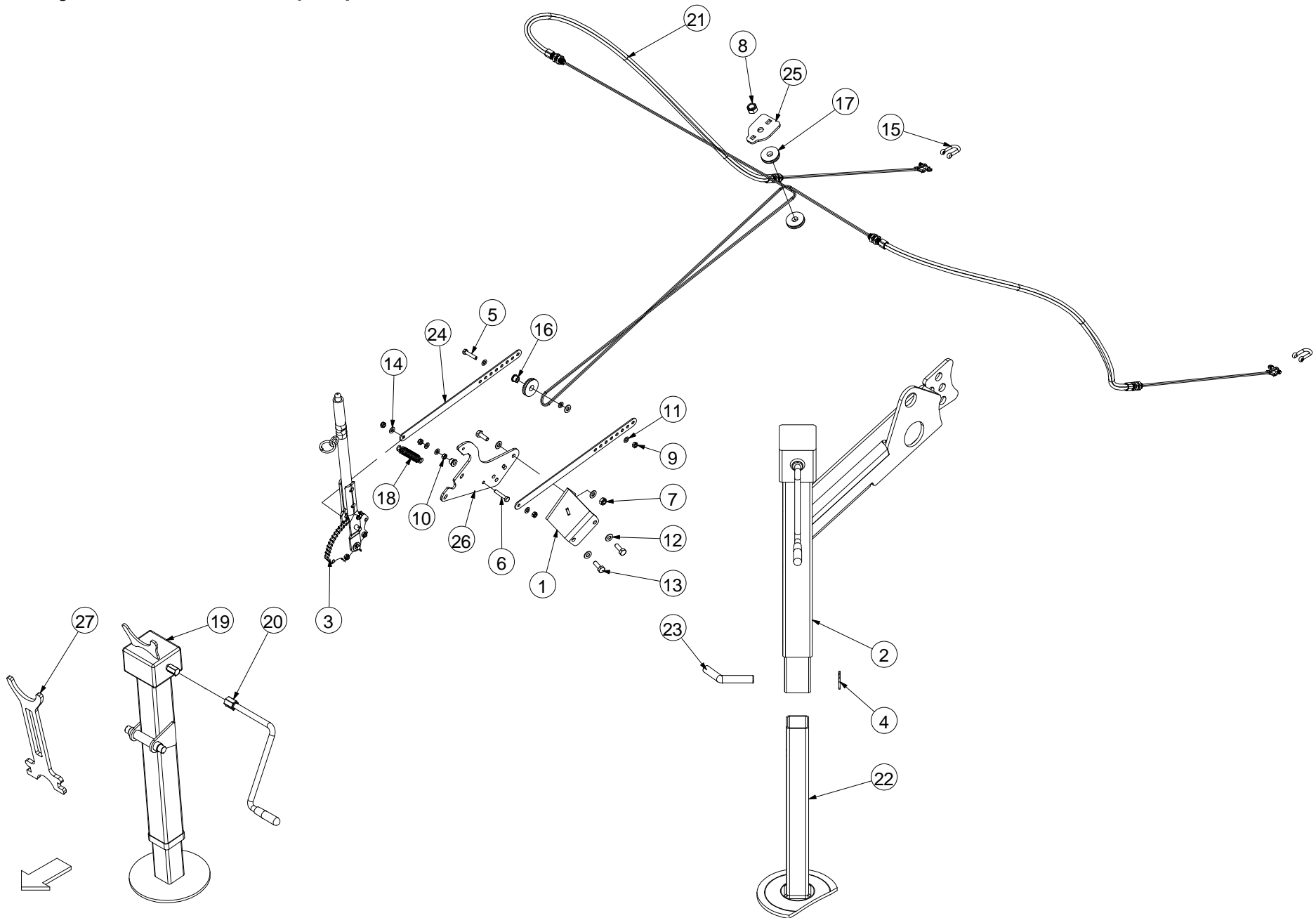
Drawbar (952)



| No. | Part No | Description | Qty |
|-----|----------|--|-----|
| 0 | ABD00140 | DRAWBAR COMPLETE ASSEMBLY HD <i>INCLUDES STANDARD HITCH EYE ITEM 21</i> | 1 |
| 1 | ADB00068 | DRAWBAR STAND SWIVEL STANDARD | 1 |
| 2 | ADB00083 | HITCH EYE 600MM CTR (NORWAY) <i>OPTIONAL</i> | 1 |
| 3 | ADB00095 | GERMAN COUPLING ADAPTOR 8-HOLE <i>OPTIONAL</i> | 1 |
| 4 | ADB00141 | DRAWBAR WELD (LEFT) FUSION | 1 |
| 5 | ADB00142 | DRAWBAR WELD (RIGHT) FUSION | 1 |
| 6 | ADB00163 | HIGH DRAWBAR PTO HOLDER <i>PTO HOLDER FOR HIGH DRAWBAR OPTION ONLY</i> | 1 |
| 7 | ADB00174 | HITCH EYE SWIVEL 50MM FUSION 3 <i>OPTIONAL</i> | 1 |
| 8 | CFA00005 | LINCH PIN 10MM | 1 |
| 9 | CFA00061 | BOLT M16X170 ZP DIN931 8.8 Z/P | 1 |
| 10 | CFA00128 | NUT M16 NYLOC | 1 |
| 11 | CFA00135 | WASHER FLAT 1" Z/P | 2 |
| 12 | CFA00140 | WASHER FLAT 16MM Z/P | 10 |
| 13 | CFA00409 | BOLT M16 X 60 Z/P | 8 |
| 14 | CFA00419 | NUT M24X2 NYLOC DIN985 8.8 Z/P | 3 |
| 15 | CFA00420 | NUT M30X2 NYLOC DIN985 8.8 Z/P | 2 |
| 16 | CFA00522 | BOLT M30X2X150 DIN960 10.9 Z/P | 2 |
| 17 | CFA00679 | BOLT M24X2X180 DIN960 10.9 Z/P | 1 |
| 18 | CFA00748 | BOLT M24X2X120 DIN960 10.9 Z/P | 2 |
| 19 | CFA00796 | WASHER PEINER M24 GALV DIN6916 | 2 |
| 20 | CMH01005 | BUSH 44.45X20X40 | 2 |
| 21 | CTP00092 | HITCH EYE STANDARD DIN74054-40 <i>STANDARD HITCH EYE</i> | 1 |
| 22 | CTP00265 | PIN HITCH 1" BALER DRAWBAR | 1 |
| 23 | CTP00274 | HITCH EYE AMERICIAN BALER <i>OPTIONAL</i> | 1 |
| 24 | CTP00292 | COUPLING HEAD BALL K80-3192 8H <i>OPTIONAL</i> | 1 |
| 25 | CTP00317 | HITCH EYE BALER 40 ISO5692-2 <i>OPTIONAL</i> | 1 |
| 26 | CTP00367 | HITCH EYE 100X110 DIN11026 40Ø <i>OPTIONAL</i> | 1 |
| 27 | CTP00469 | HITCH EYE_00.652.50.1-A02_DIN11026 <i>OPTIONAL</i> | 1 |
| 28 | CXT00419 | BUSHING C030X7X112 | 1 |
| 29 | CZF04263 | 6MM L DRAWBAR WASHER Z/P | 2 |
| 30 | CZH02914 | 10MM L PTO SUPPORT STAND BALER <i>PTO HOLDER FOR HIGH DRAWBAR OPTION ONLY</i> | 1 |
| 31 | CZH04335 | 10MM L WASHER 30x65x10 Z/P | 2 |

| No. | Part No | Description | Qty |
|-----|---------|-------------|-----|
|-----|---------|-------------|-----|

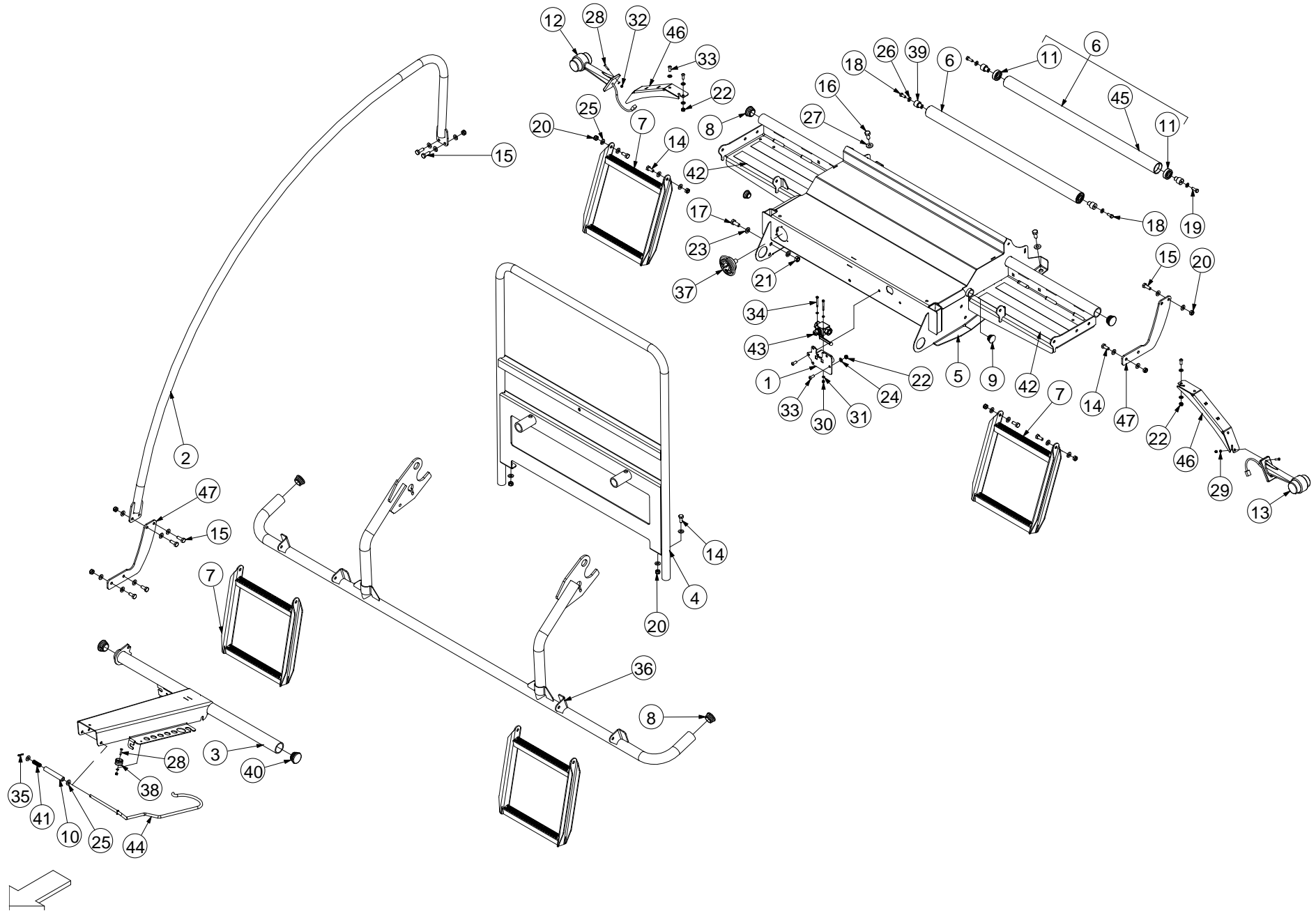
Screw jack & Handbrake (948)



| No. | Part No | Description | Qty |
|--|----------|---------------------------------|-----|
| 1 | ADB00120 | HANDBRAKE LEVER BRACKET | 1 |
| 2 | ADB00104 | JACK SCREW F5 SERIES C/W CROP | 1 |
| <i>INCLUDES ITEMS 4, 22 & 23</i> | | | |
| 3 | CAX00090 | HAND BRAKE LEVER | 1 |
| <i>USED ON STANDARD MACHINES</i> | | | |
| 3 | CAX00154 | HAND BRAKE LEVER COMP ASSY | 1 |
| <i>USED ON FRENCH MACHINES ONLY</i> | | | |
| 4 | CFA00004 | R-CLIP 4MM | 1 |
| 5 | CFA00100 | BOLT M8X40 Z/P | 1 |
| 6 | CFA00106 | BOLT M8X45 Z/P | 1 |
| 7 | CFA00123 | NUT M10 NYLOC | 5 |
| 8 | CFA00128 | NUT M16 NYLOC | 1 |
| 9 | CFA00132 | NUT M8 NYLOC Z/P | 4 |
| 10 | CFA00133 | NUT M8 Z/P | 1 |
| 11 | CFA00147 | WASHER FLAT 8MM Z/P | 6 |
| 12 | CFA00201 | WASHER FLAT 10 MM Z/P | 11 |
| 13 | CFA00230 | SETSCREW M10X30 Z/P | 5 |
| 14 | CFA00249 | WASHER SKM8 | 1 |
| 15 | CFA02217 | D SHACKLE 0.5T Z/P | 2 |
| 16 | CMH00742 | BUSH 8X20X13 ZINC PLATED | 2 |
| 17 | CMH01186 | PULLEY 50X10X16 6MM ROPE | 3 |
| 18 | CSG00211 | SRING COIL 3 X 19 X 135 27COILS | 1 |
| 19 | ACH00708 | PARKING JACK FUSION | 1 |
| <i>LOW HITCH (INCLUDES ITEM 20) REPLACES CTP00294</i> | | | |
| 20 | CTP00297 | PARKING JACK HANDLE | 1 |
| <i>LOW HITCH ONLY</i> | | | |
| 21 | CTP00333 | HANDBRAKE CABLE FUSION | 1 |
| 22 | CTP00081 | EXT PIECE PARKING JACK | 1 |
| 23 | CTP10002 | PIN PARKING JACK BALER | 1 |
| 24 | CZC04376 | 3MM L FUSION HANDBRAKE | 2 |
| 25 | CZF03267 | 6MM L PULLEY COVER FUSION | 1 |
| 26 | CZF05030 | 6MM L HAND BRAKE LEVER BASE | 1 |
| 27 | CZH02914 | 10MM L PTO STAND PAR | 1 |
| <i>USED WITH LOW DRAWBAR HITCH ONLY (SHOWN)</i> | | | |
| 27 | ADB00163 | HIGH DRAWBAR PTO HOLDER | 1 |
| <i>CHAIN USED WITH HIGH DRAWBAR HITCH ONLY (NOT SHOWN)</i> | | | |

| No. | Part No | Description | Qty |
|-----|---------|-------------|-----|
|-----|---------|-------------|-----|

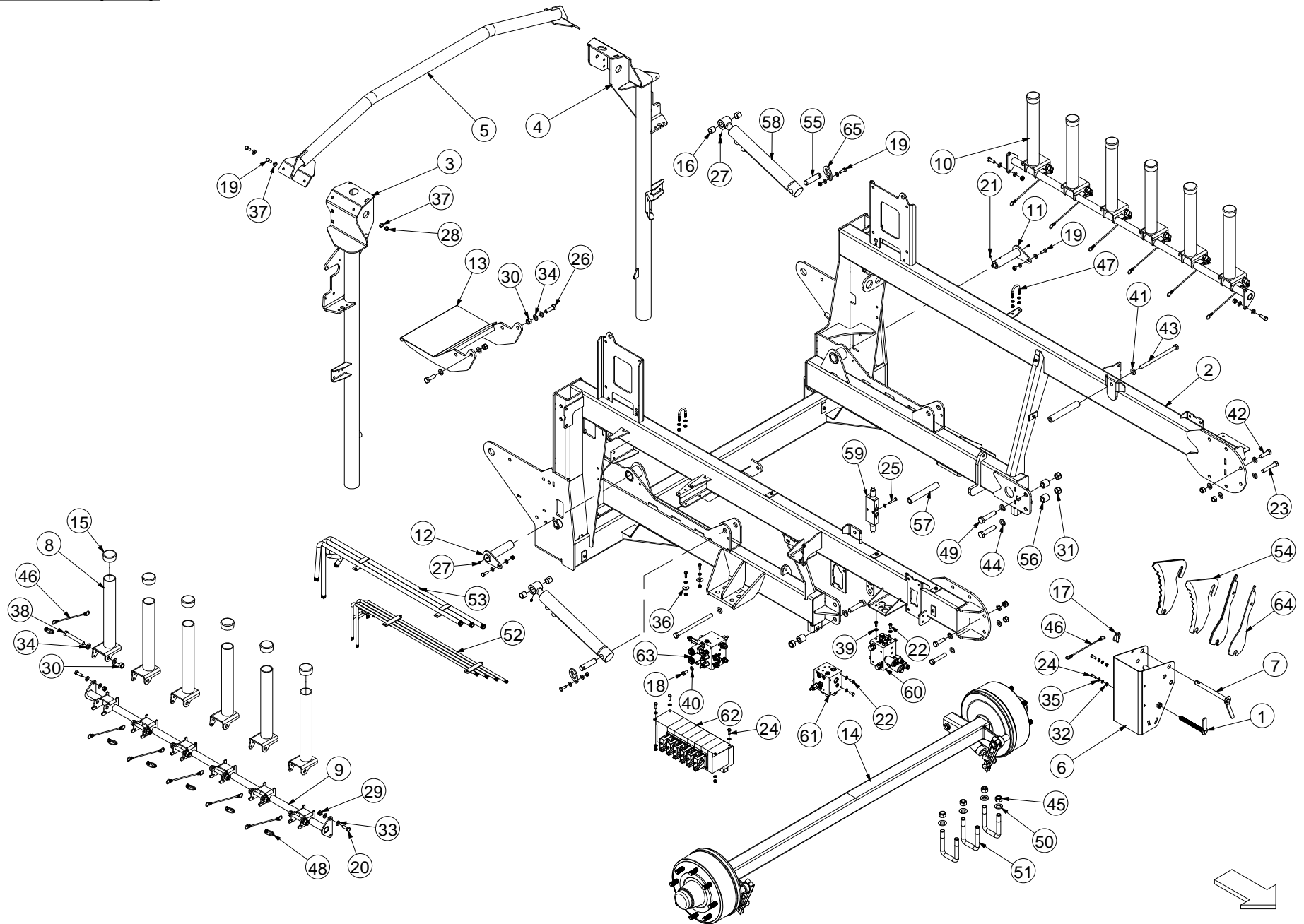
Steps & Platform (916)



| No. | Part No | Description | Qty |
|-----------------------------------|----------|---|-----|
| 1 | ACH01356 | DOOR LOCK TAP BRACKET VARIO | 1 |
| 2 | ACH02578 | CURVED HAND RAIL WELD ASSEMBLY FUSION 3 | 2 |
| 3 | ACN00069 | HOSE TRAY BELT BALER WELD ASSY | 1 |
| 4 | AGD00006 | GUARD TUBULAR FRAME PLATFORM V6 | 1 |
| 5 | ALA00679 | PLATFORM WELD ASSY VARIO | 1 |
| 6 | ARC00346 | IDLER ROLLER ASSY VARIO | 2 |
| <i>INCLUDES ITEMS 11 & 45</i> | | | |
| 7 | ART00349 | LOWER STEP ASSEMBLY F5 | 4 |
| 8 | CBC00005 | CAP PLAS INSERT ROUND 42.4MM | 4 |
| 9 | CBC00010 | CAP PLAS INSERT 1" | 2 |
| 10 | CBC00168 | 12MM ID NYLON TUBING | 1 |
| 11 | CBR00283 | BEARING 6302 2RS | 4 |
| 12 | CEL00842 | MARKER LAMP STALK LHS FUSION 3 | 1 |
| 13 | CEL00843 | MARKER LAMP STALK RHS FUSION3 | 1 |
| 14 | CFA00024 | SETSCREW M10X25 Z/P | 10 |
| 15 | CFA00025 | SETSCREW M10X30 | 6 |
| 16 | CFA00031 | SETSCREW M12X25 Z/P | 4 |
| 17 | CFA00032 | SETSCREW M12X30 Z/P | 1 |
| 18 | CFA00052 | SETSCREW M8X20 Z/P | 2 |
| 19 | CFA00102 | SETSCREW M8X25 Z/P | 2 |
| 20 | CFA00123 | NUT M10 NYLOC | 16 |
| 21 | CFA00124 | NUT M12 NYLOC | 1 |
| 22 | CFA00132 | NUT M8 NYLOC Z/P | 6 |
| 23 | CFA00138 | WASHER FLAT 12MM Z/P | 2 |
| 24 | CFA00147 | WASHER FLAT 8MM Z/P | 10 |
| 25 | CFA00201 | WASHER FLAT 10 MM Z/P | 35 |
| 26 | CFA00249 | WASHER SKM8 | 4 |
| 27 | CFA00250 | WASHER SKM12 | 4 |
| 28 | CFA00261 | SETSCREW M5X25 CSK HEX SS | 5 |
| 29 | CFA00320 | WASHER FLAT 5MM | 4 |
| 30 | CFA00321 | NUT M5 NYLOC | 3 |
| 31 | CFA00337 | WASHER FLAT 5MM Z/P | 5 |
| 32 | CFA00348 | NUT M5 NYLOC SS | 4 |
| 33 | CFA00429 | SETSCREW M8X20 BUTTON HEAD Z/P | 6 |
| 34 | CFA00969 | BOLT M5 X 45 Z/P GRADE 8.8 | 2 |
| 35 | CFA02301 | 4 X 25 SPLITPIN Z/P | 1 |
| 36 | CGD00346 | GUARD FRONT F550 (2012 MODEL) | 1 |
| 37 | CHY00133 | GAUGE PRESSURE 63DIA FLANGE | 1 |
| 38 | CMH00873 | BLANKING CAP QR ZP 1/2" FEMALE | 1 |
| 39 | CMH01385 | BUSH 25X35 STEPPED 15 | 4 |
| 40 | CPL00086 | BLANKING CAP 40MM ID | 2 |
| 41 | CSG00286 | SPRING COMP 1.8X14X40X8 | 1 |
| 42 | CST00699 | PLATFORM GRIP TAPE F5 | 4 |
| 43 | CVA00613 | BLOCK TYPE 3/8" 2 WAY VALVE C/W LOCKING HANDLE & 6.5 MM | 1 |
| 44 | CXR00218 | ROD 10 x 785 FORMED | 1 |
| 45 | CXT00732 | CO 48.3X4X868MM | 2 |
| 46 | CZC04737 | 3MM L FRONT MARKER LAMP BRACKET F3 | 2 |
| 47 | CZF06560 | HAND RAIL ADAPTOR PLATE VARIO | 2 |

| No. | Part No | Description | Qty |
|-----|---------|-------------|-----|
|-----|---------|-------------|-----|

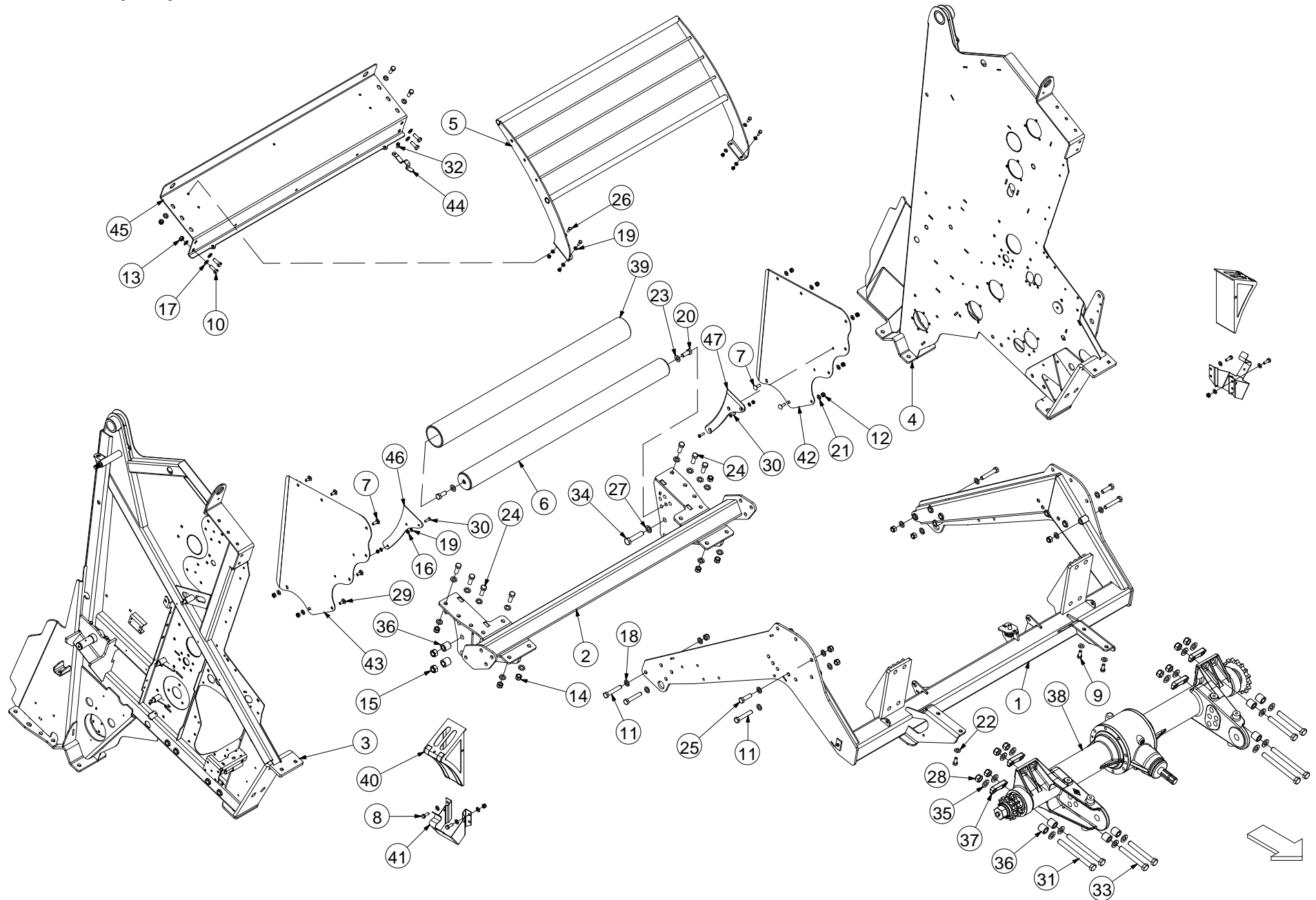
Chassis 1 (921)



| No. | Part No | Description | Qty |
|---|----------|--------------------------------------|-----|
| 1 | ACH00451 | KNIFE HOLDER THREADED BAR ASSY | 1 |
| 2 | ACH01318 | CHASSIS ASSY BALER/WRAPPER | 1 |
| 3 | ACH01321 | RING SUPPORT FRAME WELD LEFT | 1 |
| 4 | ACH01322 | RING SUPPORT FRAME WELD RIGHT | 1 |
| 5 | ACH01324 | CROSS BEAM ASSY BALER/WRAPPER | 1 |
| 6 | ACH02564 | SPARE KNIFE BRACKET FUS 3 | 1 |
| 7 | ACH02593 | PIN ASSEMBLY 20MM SPARE KNIFE HOLDER | 1 |
| 8 | ADP00299 | SPARE FILM ROLL HOLDER TOP WELD ASSY | 12 |
| 9 | ADP00304 | SPARE FILM ROLL HOLDER WELD VARIO | 2 |
| 10 | ADP00305 | SPARE FILM ROLL HOLDER VARIO | 2 |
| <i>INCLUDES ITEMS 8, 9, 15, 20, 29, 30, 33, 34, 38, 46 & 48</i> | | | |
| 11 | ALA00562 | PIN ASSY BALE TIP BALER/WRAPPER | 1 |
| 12 | ALA00563 | PIN ASSY BALE TIP BALER/WRAPPER | 1 |
| 13 | ALA00685 | DISPENSER RING GUARD ASSY VARIO | 1 |
| <i>OPTIONAL</i> | | | |
| 14 | CAX00096 | AXLE 80MM FUSION2 300X90 HYD BRAKE | 1 |
| 15 | CBC00007 | CAP BLACK PLASTIC 2.3/8" OSF | 12 |
| 16 | CBR00039 | BEARING GLACIER PM 2525 DX | 4 |
| 17 | CFA00005 | LINCH PIN 10MM | 1 |
| 18 | CFA00024 | SETSCREW M10X25 Z/P | 2 |
| 19 | CFA00025 | SETSCREW M10X30 | 8 |
| 20 | CFA00033 | SETSCREW M12X35 Z/P | 8 |
| 21 | CFA00050 | GRUBSCREW M6X6 | 1 |
| 22 | CFA00052 | SETSCREW M8X20 Z/P | 5 |
| 23 | CFA00063 | BOLT M16X90 Z/P | 6 |
| 24 | CFA00102 | SETSCREW M8X25 Z/P | 12 |
| 25 | CFA00106 | BOLT M8X45 Z/P | 2 |
| 26 | CFA00116 | BOLT M16X50 Z/P | 4 |
| 27 | CFA00118 | GREASE NIPPLE M8X1.25 STRAIGHT | 4 |
| 28 | CFA00123 | NUT M10 NYLOC | 8 |
| 29 | CFA00124 | NUT M12 NYLOC | 8 |
| 30 | CFA00128 | NUT M16 NYLOC | 28 |
| 31 | CFA00129 | NUT M20 NYLOC | 4 |
| 32 | CFA00132 | NUT M8 NYLOC Z/P | 16 |
| 33 | CFA00138 | WASHER FLAT 12MM Z/P | 16 |
| 34 | CFA00140 | WASHER FLAT 16MM Z/P | 80 |
| 35 | CFA00147 | WASHER FLAT 8MM Z/P | 24 |
| 36 | CFA00149 | WASHER MUDWING M8 31.75OD | 4 |
| 37 | CFA00201 | WASHER FLAT 10 MM Z/P | 16 |
| 38 | CFA00209 | BOLT M16X120 Z/P | 12 |
| 39 | CFA00249 | WASHER SKM8 | 7 |
| 40 | CFA00251 | WASHER SKM10 | 2 |
| 41 | CFA00252 | WASHER SKM16 | 2 |
| 42 | CFA00315 | BOLT M16X55 | 6 |
| 43 | CFA00317 | BOLT M16X250 Z/P | 2 |
| 44 | CFA00413 | WASHER FLAT 20MM Z/P | 4 |
| 45 | CFA00418 | NUT M20X1.5 NYLOC FINE THRAED | 12 |
| 46 | CFA00476 | RUBBER STRAP 240 MM | 13 |
| 47 | CFA00943 | U-BOLT M8X1.25X45X55 FOR 33.7 TUBE | 2 |

| No. | Part No | Description | Qty |
|--|----------|--------------------------------------|-----|
| 48 | CFA01036 | LINCH PIN 8MM | 12 |
| 49 | CFA02221 | BOLT M20X90 10.9 ZP | 4 |
| 50 | CFA02223 | WASHER M20 DIN6916 GALV HV PEINER | 12 |
| 51 | CFA02240 | U-BOLT M20X1.5X101X130 | 6 |
| 52 | CHY00411 | 1/4" STEEL PIPE ASSY FUSION3 WELD | 1 |
| 53 | CHY02930 | STEEL PIPE ASSY 1/2" WELD FUSION3 CT | 1 |
| 54 | CKN00014 | KNIFE CHOPPER UNIT STANDARD | AR |
| <i>STANDARD KNIVES</i> | | | |
| 54 | CKN00016 | KNIFE FOR FLOOR (GERMANY ONLY) | AR |
| <i>GERMAN KNIVES</i> | | | |
| 55 | CMH00422 | PIN 25 X 100 MILLED FOR CAP Z/P | 2 |
| 56 | CMH01118 | BUSH 20.5X35X35 Z/P | 4 |
| 57 | CMH01494 | BUSH 17X30X200 | 2 |
| 58 | CRA00706 | RAM 50X30X339 BALE CRADLE | 2 |
| 58a | CSE00126 | SEAL KIT FOR RAM 50 X 30MM | 1 |
| 59 | CVA00286 | VALVE OVERCENTER 3/8 DOUBLE | 1 |
| 60 | CVA00345 | VALVE 2 KNIFE OPTION CTRL | 1 |
| 61 | CVA00359 | DOOR TENSION VALVE VARIO COMBI | 1 |
| 62 | CVA00406 | DPC130 6 BANK FUSION VARIO | 1 |
| <i>CVA00373 VALVE CAN ALSO BE USED BY REPLACING THE #6 SPOOL CVA00120 (ITEM 3) WITH CVA00404</i> | | | |
| 63 | CVA00416 | VALVE ASY ROTATION TIP FUSION | 1 |
| 64 | CZE00143 | 5MM L KNIFE BLANK BLR STANDARD | AR |
| <i>STANDARD KNIVES</i> | | | |
| 64 | CZE00168 | 5MM KNIFE BLANK (GERMANY ONLY) | AR |
| <i>GERMAN KNIVES</i> | | | |
| 65 | CZF00293 | 6MM L CAP SHORT FOR 25MM PINS | 2 |

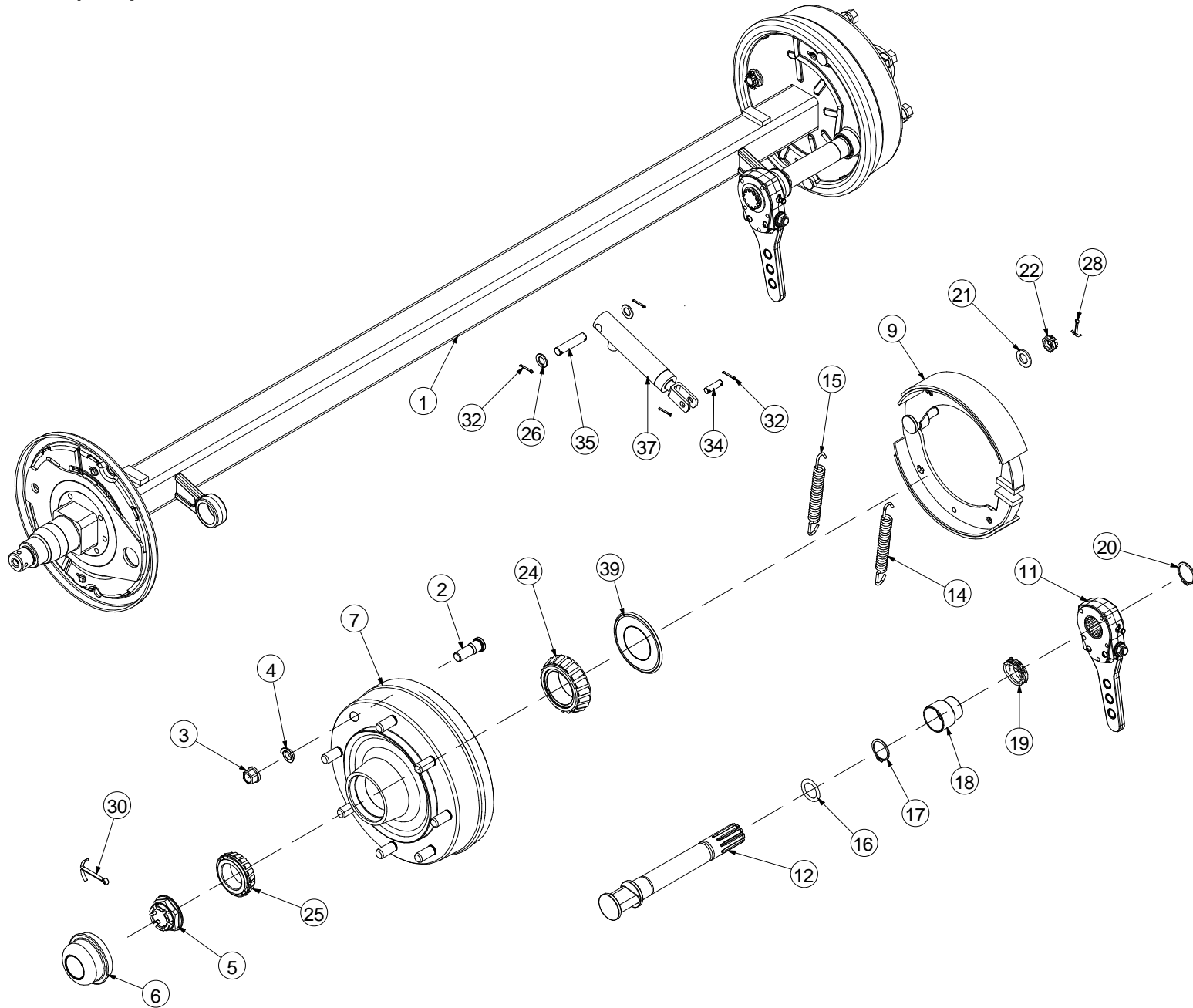
Chassis 2 (922)



| No. | Part No | Description | Qty |
|---|----------|-------------------------------------|-----|
| 1 | ACH01317 | CHASSIS FRONT GEARBOX BEAM | 1 |
| 2 | ACH01320 | BOTTOM BEAM ASSY BALER/WRAPPER | 1 |
| 3 | ACH01354 | FRONT WELD ASSY RHS VARIO | 1 |
| 4 | ACH01355 | FRONT WELD ASSY LHS VARIO | 1 |
| 5 | ACH02904 | V6 TOP SAFETY GUARD | 1 |
| 6 | ALA00561 | TRANSFER BEAM ASSY BALER/WRAPPER | 1 |
| 7 | CFA00017 | SETSCREW M10X30 CUP SQ Z/P | 6 |
| 8 | CFA00025 | SETSCREW M10X30 | 4 |
| 9 | CFA00032 | SETSCREW M12X30 Z/P | 4 |
| 10 | CFA00033 | SETSCREW M12X35 Z/P | 8 |
| 11 | CFA00063 | BOLT M16X90 Z/P | 10 |
| 12 | CFA00123 | NUT M10 NYLOC | 16 |
| 13 | CFA00124 | NUT M12 NYLOC | 8 |
| 14 | CFA00128 | NUT M16 NYLOC | 26 |
| 15 | CFA00129 | NUT M20 NYLOC | 4 |
| 16 | CFA00132 | NUT M8 NYLOC Z/P | 10 |
| 17 | CFA00138 | WASHER FLAT 12MM Z/P | 16 |
| 18 | CFA00140 | WASHER FLAT 16MM Z/P | 52 |
| 19 | CFA00147 | WASHER FLAT 8MM Z/P | 14 |
| 20 | CFA00151 | SETSCREW M16X40 Z/P | 2 |
| 21 | CFA00201 | WASHER FLAT 10 MM Z/P | 19 |
| 22 | CFA00250 | WASHER SKM12 | 4 |
| 23 | CFA00252 | WASHER SKM16 | 2 |
| 24 | CFA00282 | BOLT M16X45 | 14 |
| 25 | CFA00315 | BOLT M16X55 | 2 |
| 26 | CFA00407 | BOLT M8X25 Z/P | 4 |
| 27 | CFA00413 | WASHER FLAT 20MM Z/P | 4 |
| 28 | CFA00418 | NUT M20X1.5 NYLOC FINE GRD 10 | 8 |
| 29 | CFA00442 | SETSCREW M10X25 CUP SQ | 8 |
| 30 | CFA00593 | SETSCREW M8X30 CSK ZP | 6 |
| <i>MACHINES FROM SERIAL No 900090</i> | | | |
| 31 | CFA00663 | BOLT M20X220 FINE 10.9 SC | 4 |
| 32 | CFA00766 | SETSCREW M8X20 FLANGED DIN6921 Z/P | 1 |
| 33 | CFA00894 | BOLT M20X160X1.5 10.9 BLACK | 4 |
| 34 | CFA02221 | BOLT M20X90 10.9 ZP | 4 |
| 35 | CFA02223 | WASHER M20 DIN6916 GALV HV PEINER | 16 |
| 36 | CMH01118 | BUSH 20.5X35X35 Z/P | 12 |
| 37 | CMH01486 | WEDGE PLATE GEARBOX MOUNT | 4 |
| 38 | CMT00166 | GEARBOX BALER WALTERSCHEID | 1 |
| 39 | CPL00159 | TUBE PLAS 110X7X1240 VARIO | 1 |
| 40 | CTP00075 | PARKING CHOCKS BALE | 2 |
| 41 | CTP00076 | BRACKET FOR PARKING CHOCK | 2 |
| 42 | CZC03757 | 3MM L FRONT DOOR LINER V6 LEFT | 1 |
| 42 | UWP00200 | LINERS AND WEAR STRIPS V6 AND VARIO | 1 |
| <i>KIT INCLUDES BOTH LINERS, FASTENERS & INSTRUCTIONS</i> | | | |
| 43 | CZC04916 | 3MM L FRONT DOOR LINER V6 RIGHT | 1 |
| 43 | UWP00200 | LINERS AND WEAR STRIPS V6 AND VARIO | 1 |
| <i>KIT INCLUDES BOTH LINERS, FASTENERS & INSTRUCTIONS</i> | | | |

| No. | Part No | Description | Qty |
|---------------------------------------|----------|-------------------------------|-----|
| 44 | CZC04984 | 3MM L NET COVER LATCH PART | 1 |
| <i>REPLACES CZC03484</i> | | | |
| 45 | CZD04479 | 4MM L CHASSIS PART BELT BALER | 1 |
| 46 | CZG04628 | 8MM L WEDGE PLATE FOR NET V6 | 1 |
| <i>MACHINES FROM SERIAL No 900090</i> | | | |
| 47 | CZG04629 | 8MM L WEDGE PLATE FOR NET V6 | 1 |
| <i>MACHINES FROM SERIAL No 900090</i> | | | |

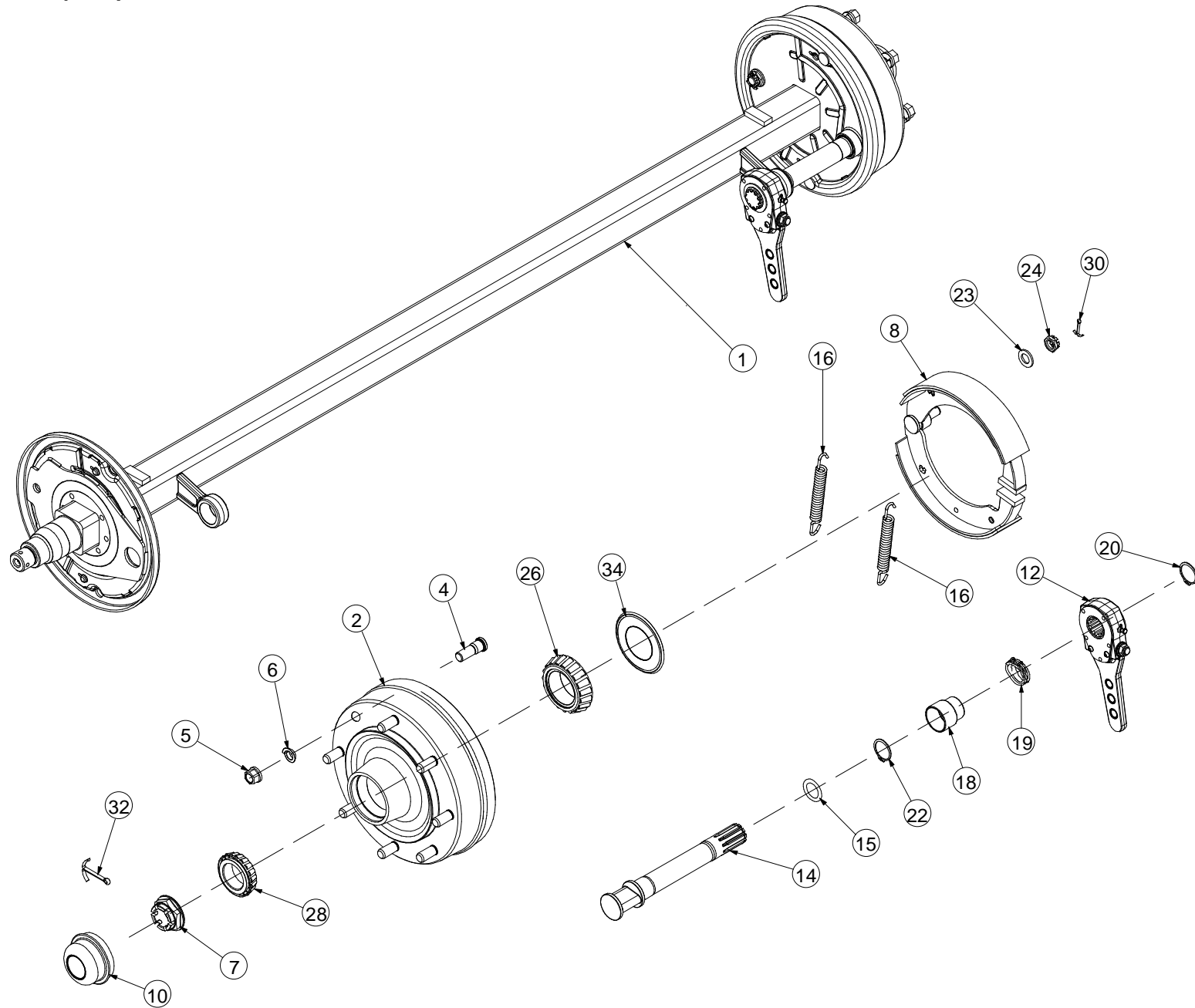
Axle Hyd-brake (941)



| No. | Part No | Description | Qty |
|---|----------|--|-----|
| 1 | CAX00096 | AXLE 80MM FUSION 300X90 HYD BRAKE | 1 |
| <i>COMPLETE AXLE ASM INCLUDING ITEMS 2 THROUGH 39</i> | | | |
| 2 | CAX00055 | STUD FOR AXLE B80L030D/S | 16 |
| 3 | CAX00056 | NUT M18X1.5X27AF AX B80L030D/S | 16 |
| 4 | CAX00057 | WASHER 18MM AXLE B80L030D/S | 16 |
| 5 | CAX00059 | HUB NUT (B80L030D/S) 328F014 | 2 |
| 6 | CAX00098 | HUB CAP FUSION 307F050 | 2 |
| 7 | CAX00099 | BRAKE HUB FUSION2 300X90 ASSY | 2 |
| <i>INCLUDES ITEMS 2, 24, 25 & 39</i> | | | |
| 9 | CAX00112 | BRAKE SHOE ASM 300X90 CAX00096 | 2 |
| <i>INCLUDES SPRINGS (ITEMS 14 & 15)</i> | | | |
| 11 | CAX00132 | ADJUSTABLE BRAKE LEVER FAD 320F082 | 2 |
| 12 | CAX00183 | CAMSHAFT CAX00096 HYD BRAKE S/N 653704 ON | 2 |
| <i>USED FROM SERIAL No 653704</i> | | | |
| 12 | CAX00199 | CAMSHAFT SHORT CAX00096 HYD BRAKE UP TO S/N 653703 | 2 |
| <i>USED UP TO SERIAL No 653703</i> | | | |
| 14 | CAX00185 | SPRING CAX00096 HYD BRAKE 322F005 | 2 |
| 15 | CAX00186 | SPRING CAX00096 HYD BRAKE 322F006 | 2 |
| 16 | CAX00187 | O RING CAX00096/101 BRAKE 341F069 | 2 |
| 17 | CAX00189 | CIRCLIP CAX00096 BRAKE 341F043 | 2 |
| 18 | CAX00190 | SLEEVE CAX00096/101 BRAKE 349F0341 | 2 |
| 19 | CAX00191 | SPRING CLIP CAX00096/101 BRAKE 322F046 | 2 |
| 20 | CAX00192 | CIRCLIP CAX00096/101 BRAKE 341F044 | 2 |
| 21 | CAX00193 | WASHER 17X30X1.6 CAX00096 BRAKE 329F011 | 2 |
| 22 | CAX00194 | NUT CASTLE M18X1.5 CAX00096 BRAKE 328F002 | 2 |
| 24 | CBR00100 | BEARING WHEEL 32215 FUSION | 2 |
| <i>PART OF WHEEL BEARING KIT CAX00121 (ITEMS 24, 25 & 39)</i> | | | |
| 25 | CBR00282 | WHEEL BEARING 32212 | 2 |
| <i>USED FROM SERIAL No 653704 (PART OF WHEEL BEARING KIT CAX00121)</i> | | | |
| 25 | CBR00099 | BEARING WHEEL 32211 FUSION | 2 |
| <i>USED UP TO SERIAL No 653703 (PART OF WHEEL BEARING KIT CAX00121)</i> | | | |
| 26 | CFA00413 | WASHER FLAT 20MM ZP | 4 |
| 28 | CFA00322 | SPLIT PIN 3X50 Z/P | 2 |
| 30 | CFA00410 | SPLIT PIN 6X90 | 2 |
| 32 | CFA00450 | SPLIT PIN 4X36 ZP | 8 |
| 34 | CMH00829 | PIN 14X50 & 2 4.5 HOLES 344FM04 | 2 |
| 35 | CMH00830 | PIN 20X90 & 2 4.5 HOLES 344FM11 | 2 |
| 37 | CRA00100 | RAM BRAKE OPERATING 998/FUSION | 2 |
| 39 | CSE00014 | SEAL HUB 80L030D/S FUSION BRAKE | 2 |
| <i>PART OF WHEEL BEARING KIT CAX00121 (ITEMS 24, 25 & 39)</i> | | | |

| No. | Part No | Description | Qty |
|-----|---------|-------------|-----|
|-----|---------|-------------|-----|

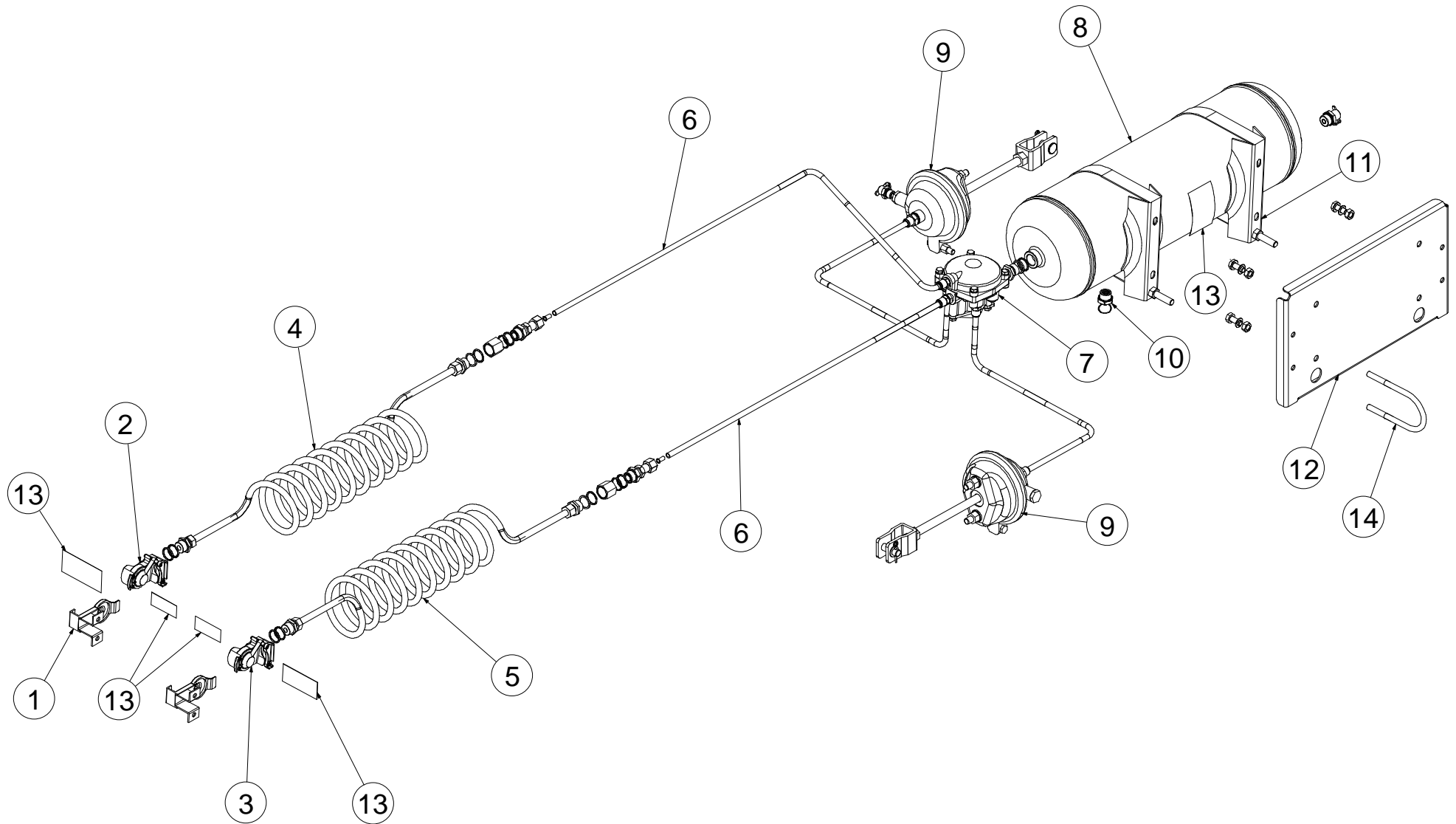
Axle Air-brake (942)



| No. | Part No | Description | Qty |
|---|----------|--|-----|
| 1 | CAX00101 | AXLE 80MM FUSION2 400X80 AIR BRAKE | 1 |
| <i>COMPLETE AXLE ASM INCLUDING ITEMS 2 THROUGH 34</i> | | | |
| 2 | CAX00048 | BRAKE HUB AIR 32212 OUTER BRNG | 2 |
| <i>INCLUDES ITEMS 4, 26, 28 & 34</i> | | | |
| 4 | CAX00055 | STUD FOR AXLE B80L030D/S | 16 |
| 5 | CAX00056 | NUT M18X1.5X27AF AX B80L030D/S | 16 |
| 6 | CAX00057 | WASHER 18MM AXLE B80L030D/S | 16 |
| 7 | CAX00059 | HUB NUT (B80L030D/S) 328F014 | 2 |
| 8 | CAX00060 | BRAKE SHOE ASM 400X80 CAX00101 | 2 |
| <i>INCLUDES SPRINGS (ITEMS 16)</i> | | | |
| 10 | CAX00098 | HUB CAP FUSION 307F050 | 2 |
| 12 | CAX00132 | ADJUSTABLE BRAKE LEVER FAD 320F082 | 2 |
| 14 | CAX00184 | CAMSHAFT CAX00101 AIR BRAKE S/N 653793 ON | 2 |
| <i>USED FROM SERIAL No 653793</i> | | | |
| 14 | CAX00200 | CAMSHAFT SHORT CAX101 AIR BRAKE UP TO S/N 653792 | 2 |
| <i>USED UP TO SERIAL No 653792</i> | | | |
| 15 | CAX00187 | O RING CAX00096/101 BRAKE 341F069 | 2 |
| 16 | CAX00188 | SPRING CAX00101 BRAKE 322F016 | 4 |
| 18 | CAX00190 | SLEEVE CAX00096/101 BRAKE 349F0341 | 2 |
| 19 | CAX00191 | SPRING CLIP CAX00096/101 BRAKE 322F046 | 2 |
| 20 | CAX00192 | CIRCLIP CAX00096/101 BRAKE 341F044 | 2 |
| 22 | CAX00195 | CIRCLIP CAX00101 BRAKE 332F009 | 2 |
| 23 | CAX00197 | WASHER 28X50X4 BRAKE CAX00101 AIR 329F012 | 2 |
| 24 | CAX00198 | NUT CROWN M27X2 BRAKE CAX00101 AIR 328F004 | 2 |
| 26 | CBR00100 | BEARING WHEEL 32215 FUSION | 2 |
| <i>PART OF WHEEL BEARING KIT CAX00121 (ITEMS 26, 28 & 34)</i> | | | |
| 28 | CBR00282 | WHEEL BEARING 32212 | 2 |
| <i>USED FROM SERIAL No 653704 (PART OF WHEEL BEARING KIT CAX00121)</i> | | | |
| 28 | CBR00099 | BEARING WHEEL 32211 FUSION | 2 |
| <i>USED UP TO SERIAL No 653703 (PART OF WHEEL BEARING KIT CAX00121)</i> | | | |
| 30 | CFA00021 | SPLIT PIN 4X50 Z/P | 2 |
| 32 | CFA00410 | SPLIT PIN 6X90 | 2 |
| 34 | CSE00014 | SEAL HUB 80L030D/S FUSION BRAKE | 2 |
| <i>PART OF WHEEL BEARING KIT CAX00121 (ITEMS 26, 28 & 34)</i> | | | |

| No. | Part No | Description | Qty |
|-----|---------|-------------|-----|
|-----|---------|-------------|-----|

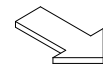
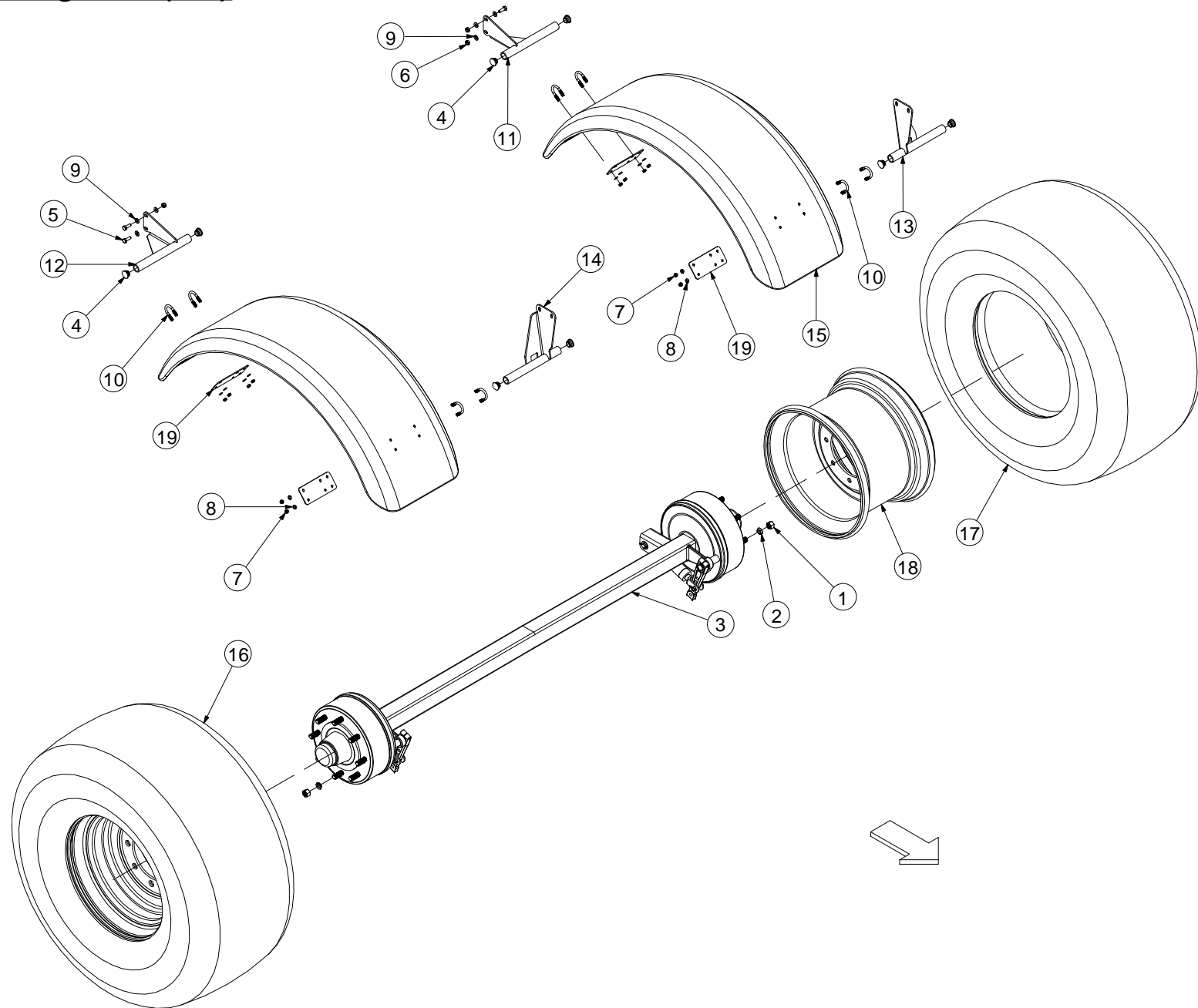
Air brake kit (818)



| No. | Part No | Description | Qty |
|--|----------|--|-----|
| 1 | CVA00328 | COUPLER BRACKET | 2 |
| 2 | CVA00126 | PALM QUICK FIT COUPLING (YELLOW) M22 | 1 |
| 3 | CVA00127 | PALM QUICK FIT COUPLING (RED) M22 | 1 |
| 4 | CHY02557 | SERVICE SUZZIE (YELLOW) | 1 |
| 4a | CVA10039 | M22 THRUST WASHER TRACTAIR | 3 |
| 4b | CVA10038 | M22 O RING TRACTAIR | 3 |
| 5 | CHY02558 | EMERGENCY SUZZIE (RED) | 1 |
| 5a | CVA10039 | M22 THRUST WASHER TRACTAIR | 3 |
| 5b | CVA10038 | M22 O RING TRACTAIR | 3 |
| 6 | CHY02559 | 10MM O/D NYLON AIR BRAKE HOSE | AR |
| 6a | CVA10034 | 7MM INSERT TRACTAIR (10MMTUBE) | 2 |
| 6b | CVA10036 | M22 - M16 BULKHEAD 10MM ASMBLY | 2 |
| 6c | CVA10035 | M22 FEM-FEM ADAPTOR TRACTAIR | 2 |
| 7 | CHY02605 | CONTROL VALVE AIR BRAKE KIT [TRACTAIR] | 1 |
| 7a | CVA10032 | 1/4 TAPER 10MM ST PUSHFIT ADAPTOR | 4 |
| 8 | CVA10043 | 20LTR AIR RESERVOIR | 1 |
| <i>TANK</i> | | | |
| 9 | CVA00124 | AIR BRAKE ACTUATOR TRACTAIR T12 | 2 |
| <i>FUSION 3 & FUSION 3 PLUS ONLY</i> | | | |
| 9 | CVA00671 | AIR BRAKE ACTUATOR TRACTAIR T16 | 2 |
| <i>FUSION VARIO ONLY</i> | | | |
| 9a | CVA10031 | M16 10MM PUSH ADAPTOR AIR BRAKE | 2 |
| 10 | CVA00327 | AIR BRAKE M16 TEST POINT | 1 |
| 11 | CVA00325 | RESERVOIR SADDLE | 2 |
| <i>SADDLE BRACKET</i> | | | |
| 12 | CZC04641 | 3MM L AIR BRAKE TANK BRACKET FUSION | 1 |
| <i>MTG PLATE</i> | | | |
| 13 | CST00653 | DECAL KIT FOR CHY02556 AIR BRAKE KIT | 1 |
| 14 | CFA00952 | U-BOLT M10 Z/P | 2 |
| 15 | CFA00201 | WASHER FLAT 10 MM Z/P | 12 |
| 16 | CFA00123 | NUT M10 NYLOC | 8 |
| 17 | CFA00024 | SETSCREW M10X25 Z/P | 4 |

| No. | Part No | Description | Qty |
|-----|---------|-------------|-----|
|-----|---------|-------------|-----|

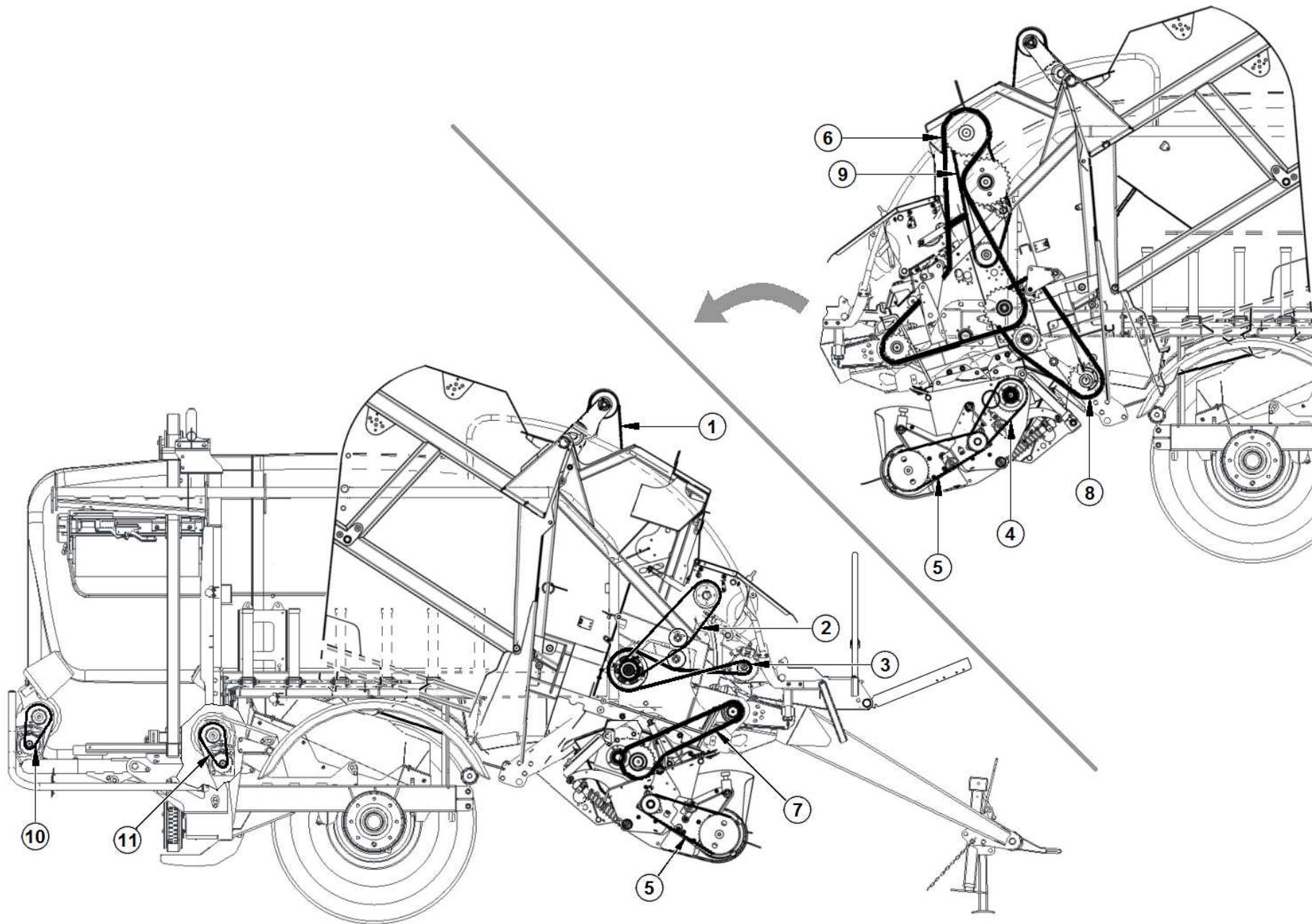
Wheels & Mudguards (923)



| No. | Part No | Description | Qty |
|---|----------|------------------------------------|-----|
| 1 | CAX00056 | NUT FOR AXLE B80L030D/S | 16 |
| 2 | CAX00057 | WASHER FOR AXLE B80L030D/16 | 2 |
| 3 | CAX00096 | AXLE 80MM FUSION 300X90 HYD BRAKE | 1 |
| 4 | CBC00010 | CAP PLAS INSERT 1" | 8 |
| 5 | CFA00025 | SETSCREW M10X30 | 8 |
| 6 | CFA00123 | NUT M10 NYLOC | 8 |
| 7 | CFA00132 | NUT M8 NYLOC Z/P | 16 |
| 8 | CFA00147 | WASHER FLAT 8MM Z/P | 16 |
| 9 | CFA00201 | WASHER FLAT 10 MM Z/P | 16 |
| 10 | CFA00943 | U-BOLT M8X1.25X45X55 FOR 33.7 TUBE | 8 |
| 11 | CGD00324 | MUDGUARD BRACKET LEFT REAR | 1 |
| 12 | CGD00325 | MUDGUARD BRACKET RIGHT REAR | 1 |
| 13 | CGD00334 | MUDGUARD BRACKET FRONT LEFT | 1 |
| 14 | CGD00335 | MUDGUARD BRACKET FRONT RIGHT | 1 |
| 15 | CPL00157 | PLASTIC MUDGUARD BALER/WRAPPER | 2 |
| 15 | CZB04465 | 1.5MM L MUDGUARD EXTENSION VARIO | 2 |
| <i>OPTIONAL - MUDGUARD EXTENSION PLATES</i> | | | |
| 16 | CWH00054 | WHEEL 650/50 R22.5 VREDESTEIN | 2 |
| 17 | CWH00056 | TYRE 650/50 R22.5 FLOTATION PRO | 2 |
| 18 | CWH00057 | WHEEL RIM 20X22.5 | 2 |
| 19 | CZC04658 | 3MM L MUDGUARD BACKING PLATE FRONT | 4 |

| No. | Part No | Description | Qty |
|-----|---------|-------------|-----|
|-----|---------|-------------|-----|

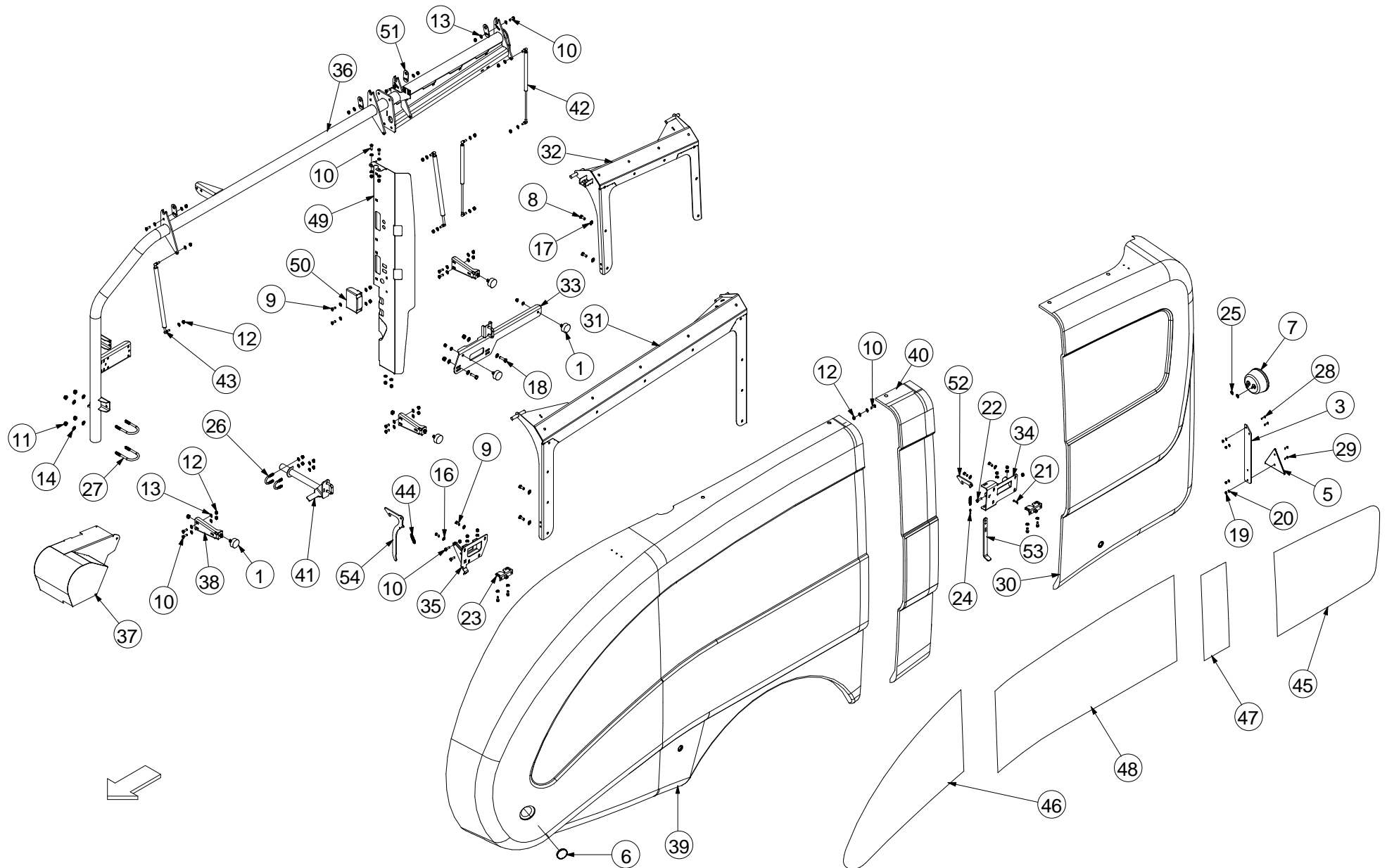
Chains & Belts (924)



| No. | Part No | Description | Qty |
|-----|----------|---|-----|
| 1 | CBE00184 | BELT 11675 X 380 X 7.4MM V6 | 3 |
| 2 | CBE00277 | DRIVE BELT SPA A68 (1765MM) | 1 |
| 3 | CBE00246 | V-BELT B83 | 1 |
| 4 | CCH02025 | SLIP-CLUTCH CHAIN ASA60H 3/4" 62 INC LINK | 1 |
| 5 | CCH02026 | PICK-UP CHAIN ASA60H 3/4" 78 INC LINK | 2 |
| 6 | CCH00188 | CHAIN 100H 132 PITCHES + CON LINK | 1 |
| 7 | CCH00189 | CHAIN 16B2 76 P+CONN LINK | 1 |
| 8 | CCH02050 | CHAIN 20B 64 PITCHS INCL LINK | 1 |
| 9 | CCH02051 | CHAIN 12B 3/4" 55 PITCHS INCL LINK | 1 |
| 10 | CCH00043 | CHAIN ASA60H 36 PITCH +CONN LINK | 1 |
| 11 | CCH00162 | CHAIN ASA60H 48 PITCH +CONN LINK | 1 |

| No. | Part No | Description | Qty |
|-----|---------|-------------|-----|
|-----|---------|-------------|-----|

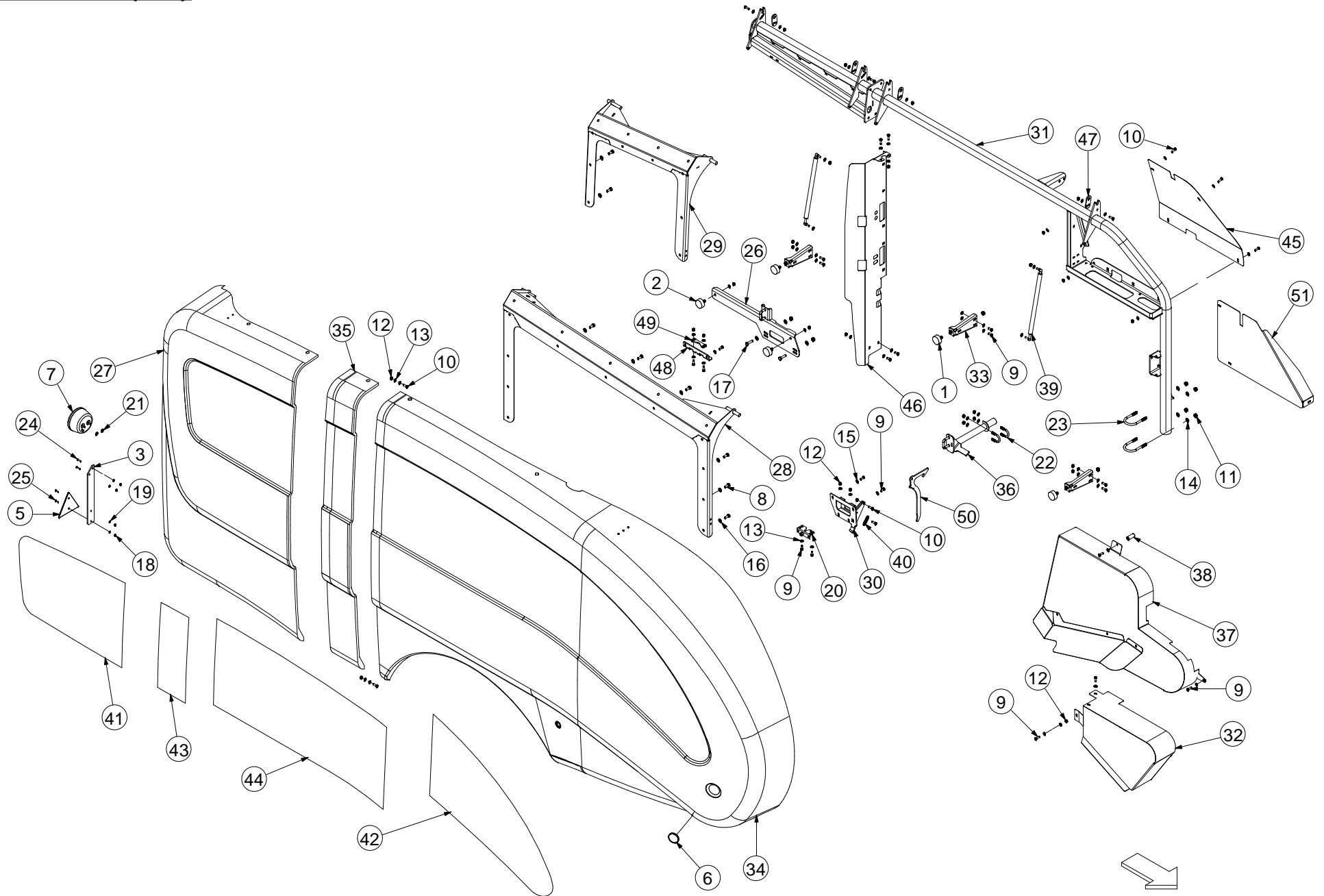
Panels LH (925)



| No. | Part No | Description | Qty |
|--|----------|---|-----|
| 1 | CBE00002 | BUFFER RUBBER 50X21 M10X28 | 5 |
| 3 | CBE00255 | RUBBER REFLECTOR HANGER STRIP | 1 |
| 5 | CEL00077 | REFLECTOR REAR TRIANGULAR RED | 1 |
| 6 | CEL00643 | ROUND AMBER REFLECTOR STICK-ON | 1 |
| 7 | CEL00831 | TAIL LIGHT, CIRCULAR, LED, FUSION 3 | 1 |
| 8 | CFA00024 | SETSCREW M10X25 Z/P | 28 |
| 9 | CFA00052 | SETSCREW M8X20 Z/P | 20 |
| 10 | CFA00102 | SETSCREW M8X25 Z/P | 28 |
| 11 | CFA00123 | NUT M10 NYLOC | 12 |
| 12 | CFA00132 | NUT M8 NYLOC Z/P | 52 |
| 13 | CFA00147 | WASHER FLAT 8MM Z/P | 86 |
| 14 | CFA00201 | WASHER FLAT 10 MM Z/P | 16 |
| 16 | CFA00249 | WASHER SKM8 | 10 |
| 17 | CFA00251 | WASHER SKM10 | 28 |
| 18 | CFA00312 | SETSCREW M10X40 Z/P | 2 |
| 19 | CFA00321 | NUT M5 NYLOC | 5 |
| 20 | CFA00337 | WASHER FLAT 5MM Z/P | 5 |
| 21 | CFA00345 | ROLL PIN 6X30 Z/P | 1 |
| 22 | CFA00491 | SETSCREW M8X30 Z/P | 1 |
| 23 | CFA00518 | CAMLOC BALER DOOR | 2 |
| 24 | CFA00635 | SPLIT PIN 5X20 Z/P | 1 |
| 25 | CFA00855 | 6MM MUDGUARD WASHER | 2 |
| 26 | CFA00943 | U-BOLT 33.7 TUBE | 2 |
| 27 | CFA00952 | U-BOLT M10 60.3 TUBE | 2 |
| 28 | CFA02316 | SETSCREW M5X20 PAN HEAD Z/P | 2 |
| 29 | CFA02316 | SETSCREW M5X20 PAN HEAD Z/P | 2 |
| 30 | CGD00273 | LH REAR DOOR ASSEMBLY FUS 3 | 1 |
| <i>INCLUDES DECALS (SPECIFY MODEL WHEN ORDERING)</i> | | | |
| 31 | CGD00282 | HINGE WELD ASSEMBLY FRONT LH FUSION PANEL | 1 |
| 32 | CGD00283 | HINGE WELD ASSEMBLY REAR LH FUSION PANEL | 1 |
| 33 | CGD00289 | LATCH ASSEMBLY LH REAR FUSION | 1 |
| 34 | CGD00290 | DOOR LATCH ASSY LH REAR FUSION PLASTIC | 1 |
| 35 | CGD00300 | DOOR LATCH WELD ASSEMBLY LH FRONT FUS 3 | 1 |
| 36 | CGD00304 | HINGE HOLDER WELD ASSEMBLY LH | 1 |
| 37 | CGD00306 | CHAIN GUARD MAIN DRIVE B/W | 1 |
| 38 | CGD00309 | BUFFER BRACKET FUSION | 1 |
| 39 | CGD00320 | PLASTIC PANEL LH FRONT FUSION VARIO | 1 |
| <i>INCLUDES DECALS (SPECIFY MODEL WHEN ORDERING)</i> | | | |
| 40 | CGD00321 | PLASTIC PANEL INTERMEDIATE FUSION VARIO | 1 |
| <i>INCLUDES DECALS (SPECIFY MODEL WHEN ORDERING)</i> | | | |
| 41 | CGD00326 | LATCH BRACKET ASSEMBLY LH B/W | 1 |
| 42 | CRA00171 | GAS STRUT 8X18 650N | 2 |
| 43 | CRA00655 | GAS STRUT 1200N | 2 |
| 44 | CSG00263 | SPRING EXTENSION 1.63X11.5X57 | 2 |
| 45 | CST00747 | STICKER MCHALE LH REAR F3 | 1 |
| 46 | CST00749 | STICKER MCHALE LH FRONT FUSION 3 | 1 |
| 47 | CST00780 | STICKER VARIO LH MIDDLE BACK | 1 |
| 48 | CST00781 | STICKER VARIO LH MIDDLE FRONT | 1 |
| 49 | CZB04408 | 1.5MM L LH DISPENSER GUARD FUSION 3 | 1 |

| No. | Part No | Description | Qty |
|-----|----------|-------------------------------------|-----|
| 50 | CZB04416 | 1.5MM ELECTRICAL CONNECTION BOX | 1 |
| 51 | CZD04548 | 4MM L HINGE LOCK PLATE FUSION 3 | 4 |
| 52 | CZF06016 | 6MM L REAR LATCH HOOK FUSION 3 | 1 |
| 53 | CZC04762 | 3MM L REAR DOOR LATCH HANDLE FUSION | 1 |
| 54 | CZF06035 | 6MM PANEL LATCH HANDLE FUS 3 | 1 |

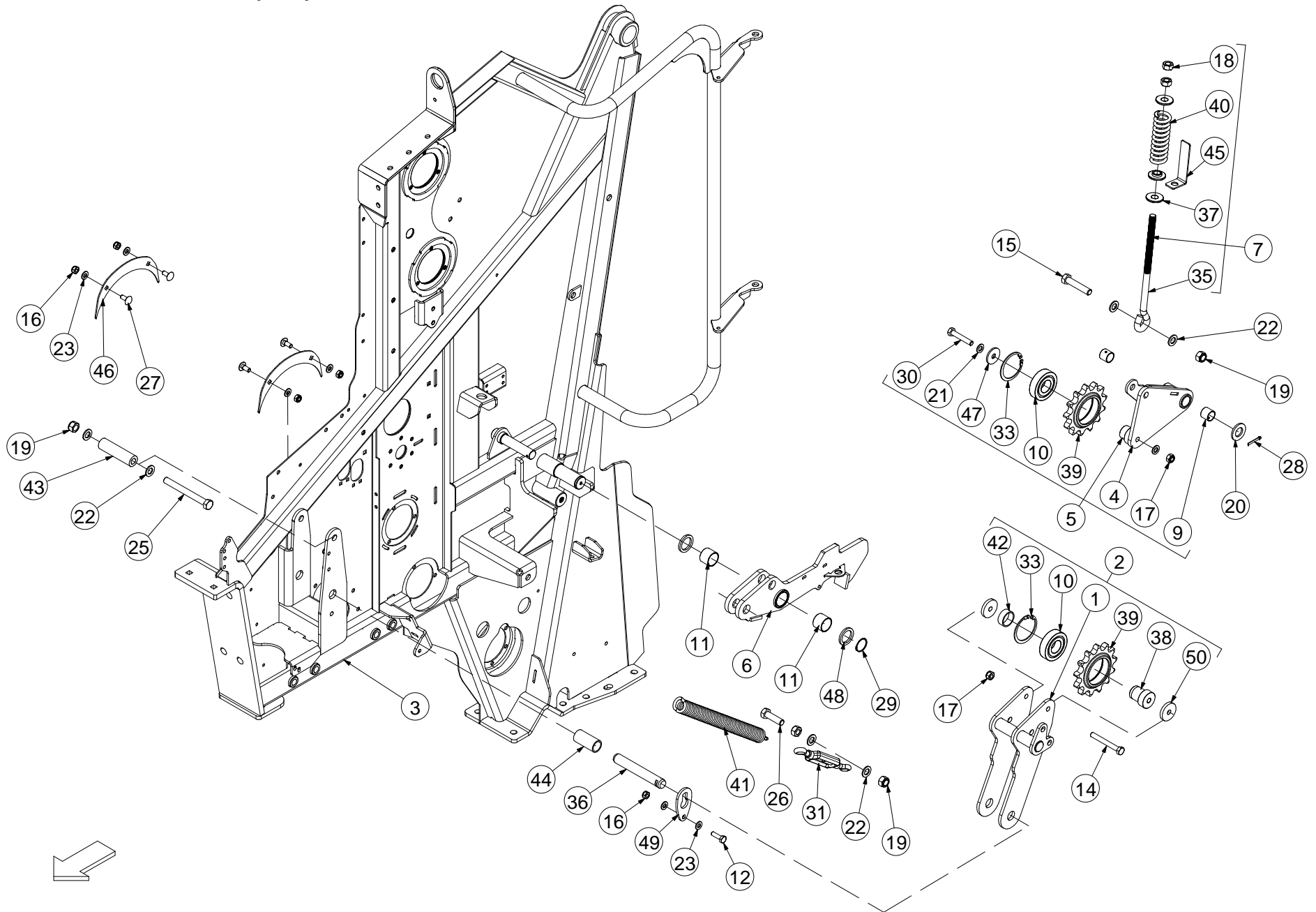
Panels RH (926)



| No. | Part No | Description | Qty |
|--|----------|--|-----|
| 1 | CBE00002 | BUFFER RUBBER 50X21 M10X28 | 5 |
| 3 | CBE00255 | RUBBER REFLECTOR HANGER STRIP | 1 |
| 5 | CEL00077 | REFLECTOR REAR TRIANGULAR RED | 1 |
| 6 | CEL00643 | ROUND AMBER REFLECTOR STICK-ON | 1 |
| 7 | CEL00831 | TAIL LIGHT, CIRCULAR, LED, FUSION 3 | 1 |
| 8 | CFA00024 | SETSCREW M10X25 Z/P | 28 |
| 9 | CFA00052 | SETSCREW M8X20 Z/P | 16 |
| 10 | CFA00102 | SETSCREW M8X25 Z/P | 35 |
| 11 | CFA00123 | NUT M10 NYLOC | 10 |
| 12 | CFA00132 | NUT M8 NYLOC Z/P | 46 |
| 13 | CFA00147 | WASHER FLAT 8MM Z/P | 86 |
| 14 | CFA00201 | WASHER FLAT 10 MM Z/P | 10 |
| 15 | CFA00249 | WASHER SKM8 | 11 |
| 16 | CFA00251 | WASHER SKM10 | 28 |
| 17 | CFA00312 | SETSCREW M10X40 Z/P | 2 |
| 18 | CFA00321 | NUT M5 NYLOC | 5 |
| 19 | CFA00337 | WASHER FLAT 5MM Z/P | 5 |
| 20 | CFA00518 | CAMLOC BALER DOOR | 1 |
| 21 | CFA00855 | 6MM MUDGUARD WASHER | 2 |
| 22 | CFA00943 | U-BOLT 33.7 TUBE | 2 |
| 23 | CFA00952 | U-BOLT M10 60.3 TUBE | 2 |
| 24 | CFA02316 | SETSCREW M5X20 PAN HEAD Z/P | 2 |
| 25 | CFA02316 | SETSCREW M5X20 PAN HEAD Z/P | 2 |
| 26 | CGD00253 | REAR DOOR LATCH WELD ASSY FUSION PLASTIC PANEL | 1 |
| 27 | CGD00271 | RH REAR DOOR ASSEMBLY FUS 3 | 1 |
| <i>INCLUDES DECALS (SPECIFY MODEL WHEN ORDERING)</i> | | | |
| 28 | CGD00280 | HINGE WELD ASSEMBLY RH FRONT FUSION | 1 |
| 29 | CGD00281 | HINGE WELD ASSEMBLY RH REAR FUSION | 1 |
| 30 | CGD00292 | FUSION LATCH ASSEMBLY FRONT RH PLASTIC PANEL | 1 |
| 31 | CGD00301 | HINGE HOLDER WELD ASSEMBLY RH | 1 |
| 32 | CGD00305 | CHAIN GUARD ROTOR DRIVE B/W | 1 |
| 33 | CGD00309 | BUFFER BRACKET FUSION | 3 |
| 34 | CGD00319 | PLASTIC PANEL RH FRONT FUSION VARIO | 1 |
| <i>INCLUDES DECALS (SPECIFY MODEL WHEN ORDERING)</i> | | | |
| 35 | CGD00321 | PLASTIC PANEL INTERMEDIATE FUSION VARIO | 1 |
| <i>INCLUDES DECALS (SPECIFY MODEL WHEN ORDERING)</i> | | | |
| 36 | CGD00327 | LATCH BRACKET ASSEMBLY RH B/W | 1 |
| 37 | CGD00363 | BELT GUARD NET DRIVE VARIO | 1 |
| 38 | CMH01577 | BUSH 20X52 M8 THREAD Z/P | 1 |
| 39 | CRA00655 | GAS STRUT 1200N | 2 |
| 40 | CSG00263 | SPRING EXTENSION 1.63X11.5X57 | 1 |
| 41 | CST00744 | STICKER 'MCHALE' RH REAR F3 | 1 |
| 42 | CST00746 | STICKER 'MCHALE' RH FRONT F3 | 1 |
| 43 | CST00778 | STICKER VARIO RH MIDDLE BACK | 1 |
| 44 | CST00779 | STICKER VARIO RH MIDDLE FRONT | 1 |
| 45 | CZB04381 | 1.5MM L MAIN VALVE COVER | 1 |
| 46 | CZB04405 | 1.5MM L DISPENSER GUARD | 1 |
| 47 | CZD04548 | 4MM L HINGE LOCK PLATE FUSION 3 | 4 |
| 48 | CZD04708 | 4MM DOOR LATCH RH REAR FUSION 3 | 1 |

| No. | Part No | Description | Qty |
|-----|----------|--|-----|
| 49 | CZF02902 | 6MM L DOOR RETAINING BRACKET | 1 |
| 50 | CZF06035 | 6MM PANEL LATCH HANDLE FUS 3 | 1 |
| 51 | CZB04454 | 1.5MM L ELECTRICAL COVER PLATE F3+ & VARIO | 1 |

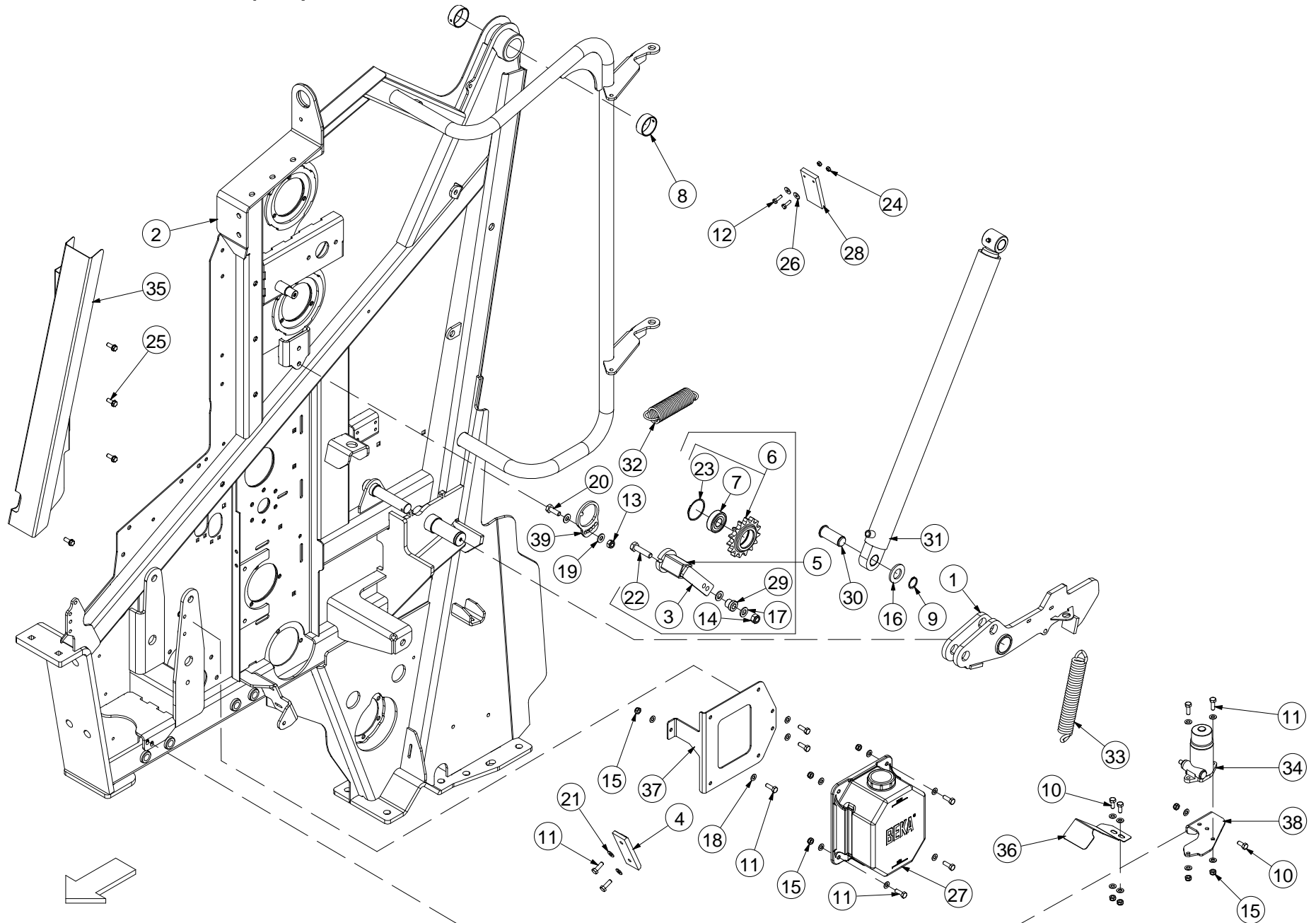
Front chamber LHS 1 (850)



| No. | Part No | Description | Qty |
|--|----------|---------------------------------------|-----|
| 1 | ACH00954 | CHAIN TENSIONER WELD ASSY | 1 |
| 2 | ACH00955 | CHAIN TENSIONER COMP ASSY | 1 |
| <i>INCLUDES ITEMS 1, 10, 33, 38, 39, 42 & 50</i> | | | |
| 3 | ACH01355 | FRONT WELD ASSY LHS VARIO | 1 |
| <i>USED ON FUSION VARIO ONLY</i> | | | |
| 3 | ACH02504 | FRONT LHS WELD ASSY L DUTY BELT BALER | 1 |
| <i>USED ON V6 MKIII ONLY</i> | | | |
| 4 | ACH01037 | CHAIN TENSIONER WELD ASSY | 1 |
| 5 | ACH01038 | CHAIN TENSIONER COMP ASSY | 1 |
| <i>INCLUDES ITEMS 4, 9, 10, 17, 21, 30, 33, 39 & 47</i> | | | |
| 6 | ACH01074 | DOOR HOOK ASSY LEFT V6 | 1 |
| 7 | ACH02529 | SPRING TENSIONER ASSY V6 | 1 |
| <i>INCLUDES ITEMS 18, 35, 37, 40 & 45</i> | | | |
| 9 | CBR00039 | BEARING GLACIER PM 2525 DX | 2 |
| 10 | CBR00294 | BEARING 6307 2RS | 2 |
| 11 | CBR02000 | BEARING VAR BALER | 2 |
| 12 | CFA00016 | BOLT M10X35 | 1 |
| 14 | CFA00035 | BOLT M12X100 Z/P | 1 |
| 15 | CFA00043 | BOLT M16X80 | 1 |
| 16 | CFA00123 | NUT M10 NYLOC | 5 |
| 17 | CFA00124 | NUT M12 NYLOC | 2 |
| 18 | CFA00127 | NUT M16 | 3 |
| 19 | CFA00128 | NUT M16 NYLOC | 3 |
| 20 | CFA00135 | WASHER FLAT 1" Z/P | 1 |
| 21 | CFA00138 | WASHER FLAT 12MM Z/P | 2 |
| 22 | CFA00140 | WASHER FLAT 16MM Z/P | 6 |
| 23 | CFA00201 | WASHER FLAT 10 MM Z/P | 6 |
| 25 | CFA00259 | BOLT M16X150 Z/P | 1 |
| 26 | CFA00349 | SETSCREW M16X55 Z/P | 1 |
| 27 | CFA00442 | SETSCREW M10X25 CUP SQ | 4 |
| 28 | CFA00475 | SPLIT PIN 5X40 Z/P | 1 |
| 29 | CFA00514 | CIRCLIP 35MM EXTERNAL | 1 |
| 30 | CFA00592 | BOLT M12X70 ZP | 1 |
| 31 | CFA00774 | TURNBUCKLE EYE 12MM | 1 |
| 33 | CFA00882 | CIRCLIP INTERNAL 20X1 DIN 472 | 2 |
| 35 | CFA02270 | EYE BOLT 16X320 TENSIONER | 1 |
| 36 | CMH00403 | PIN 25X170 Z/P MILLED FOR CAP | 1 |
| 37 | CMH00464 | BUSH 45X17X10 STEPPED 25 | 3 |
| 38 | CMH00467 | BUSH 45X12.5X52 STEPPED 35 | 1 |
| 39 | CMH01252 | SPROCKET 1 1/4" 13 TOOTH | 2 |
| 40 | CSG00025 | SPRING COMPX8.5X44.8 | 1 |
| 41 | CSG00206 | SPRING EXT 7X36 OD X375 | 1 |
| 42 | CXT00185 | TUBE 42.4X3X16 | 1 |
| 43 | CXT00419 | C030X7X112 | 1 |
| 44 | CXT00490 | TUBE 33.7X68 | 1 |
| 45 | CZC02057 | 3MM L CHAIN TENSIONER | 1 |
| 46 | CZC04607 | 3MM L ROLLER SEAL COVER V6 | 2 |
| <i>USED ON SLATTED STARTER ROLLER (CAN NOT BE USED WITH DOOR LINER KIT UWP00200)</i> | | | |
| 47 | CZD02186 | 4MM L WASHER 50X13X4 | 1 |
| 48 | CZE04247 | WASHER 48X35.5X5 BELT BALER | 2 |

| No. | Part No | Description | Qty |
|-----|----------|------------------------------|-----|
| 49 | CZF00292 | 6MM L CAP LONG FOR 25MM PINS | 1 |
| 50 | CZG02236 | 8MM L SPACER PART | 2 |

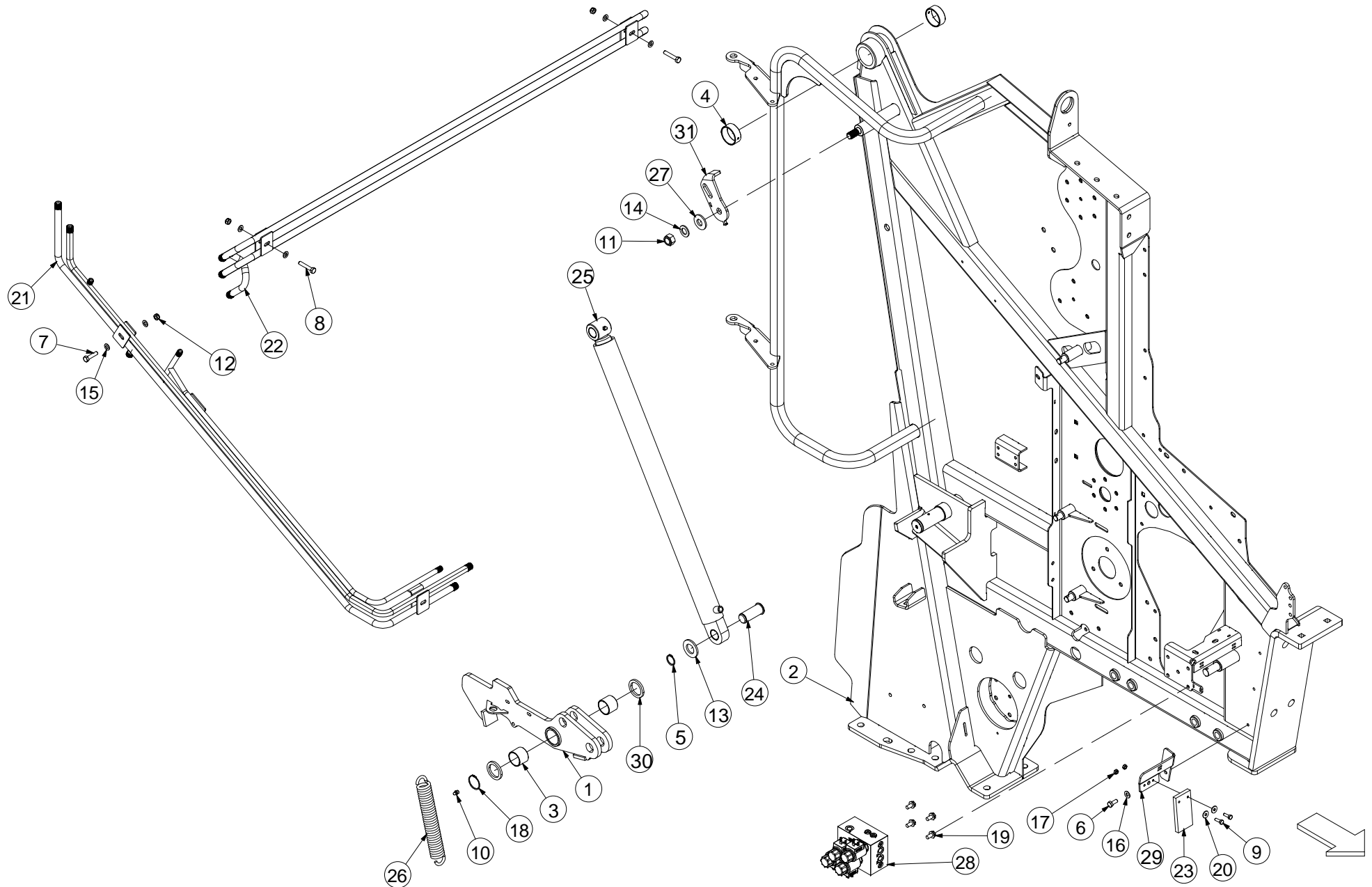
Front chamber LHS 2 (851)



| No. | Part No | Description | Qty |
|--|----------|------------------------------------|-----|
| 1 | ACH01074 | DOOR HOOK ASSY LEFT V660 | 1 |
| 2 | ACH01355 | FRONT WELD ASSY LHS VARIO | 1 |
| <i>USED ON FUSION VARIO ONLY</i> | | | |
| 2 | ACH02504 | FRONT WELD ASSY RHS V660 MKIII | 1 |
| <i>USED ON V6 MKIII SERIES ONLY</i> | | | |
| 3 | ALA00282 | CHAIN TIGHTENER BELT BALER | 1 |
| 4 | ALA00311 | WEAR STRIP ASSY BOTTOM DOOR | 1 |
| 5 | ALA00341 | TENSIONER ASSY BELT BALER | 1 |
| <i>INCLUDES ITEMS 3, 6, 7, 14, 17, 22, 23 & 29</i> | | | |
| 6 | ALA00700 | TENSIONER SPROCKET ASSEMBLY | 1 |
| <i>INCLUDES ITEMS 7 & 23</i> | | | |
| 7 | CBR00020 | BEARING 6204 2RS | 1 |
| <i>UP TO SERIAL No 802547</i> | | | |
| 7 | CBR00066 | BEARING 6304 2RS | 1 |
| <i>FROM SERIAL No 802548</i> | | | |
| 8 | CBR02003 | BEARING GLACIER PM 4520 DX | 2 |
| 9 | CFA00001 | CIRCLIP 25MM EXTERNAL Z/P | 1 |
| 10 | CFA00052 | SETSCREW M8X20 Z/P | 4 |
| 11 | CFA00102 | SETSCREW M8X25 Z/P | 11 |
| 12 | CFA00115 | SETSCREW M6X20 Z/P | 2 |
| 13 | CFA00123 | NUT M10 NYLOC | 1 |
| 14 | CFA00124 | NUT M12 NYLOC | 1 |
| 15 | CFA00132 | NUT M8 NYLOC Z/P | 13 |
| 16 | CFA00135 | WASHER FLAT 1" Z/P | 1 |
| 17 | CFA00138 | WASHER FLAT 12MM Z/P | 2 |
| 18 | CFA00147 | WASHER FLAT 8MM Z/P | 26 |
| 19 | CFA00201 | WASHER FLAT 10 MM Z/P | 2 |
| 20 | CFA00230 | SETSCREW M10X30 Z/P GRADE 12.9 | 1 |
| 21 | CFA00249 | WASHER SKM8 | 2 |
| 22 | CFA00272 | BOLT M12X50 Z/P | 1 |
| 23 | CFA00461 | CIRCLIP 52MM INTERNAL | 1 |
| <i>FROM SERIAL No 802548</i> | | | |
| 24 | CFA00473 | NUT M6 STD ZP | 2 |
| 25 | CFA00766 | SETSCREW M8X20 FLANGED DIN6921 Z/P | 4 |
| 26 | CFA00855 | 6MM MUDGUARD WASHER | 2 |
| 27 | CHY00868 | BEKA OIL TANK ASSY | 1 |
| 28 | CHY01061 | OIL WICK KIT FULL BALER RANGE | 1 |
| <i>FULL SET OF WICKS FOR ANY McHALE BALER</i> | | | |
| 29 | CMH01398 | BUSH 12X25 STEPPED 20 | 1 |
| 30 | CMH02041 | PIN VAR BALER | 1 |
| 31 | CRA00631 | DOOR OPEN RAM V660 | 1 |
| 31a | CSE00160 | SEAL KIT FOR RAM CRA00631 | 1 |
| 32 | CSG00229 | SPRING EXT 4.88X40.8X176X24 | 1 |
| 33 | CSG00257 | SPRING DOOR LATCH 6.35X35X242 V6 | 1 |
| 34 | CVA00659 | BEKA OIL PUMP (8:1 RATIO) | 1 |
| <i>REPLACES CVA00564</i> | | | |
| 35 | CZB00229 | 1.5MM L CHAIN GUARD BELT BALER | 1 |
| <i>USED ON V6 SERIES ONLY (SHOWN)</i> | | | |
| 35 | CZB00267 | 1.5MM L CHAIN GUARD BELT BALER | 1 |
| <i>USED ON FUSION VARIO ONLY</i> | | | |
| 36 | CZB04321 | 1.5MM OIL PUMP DRIVE COVER V660 | 1 |

| No. | Part No | Description | Qty |
|---------------------------------------|----------|---------------------------------|-----|
| 37 | CZC04506 | 3MM L OIL TANK BRACKET V6 | 1 |
| <i>USED ON V6 SERIES ONLY (SHOWN)</i> | | | |
| 37 | CZC02524 | 3MM OILTANK FLAT BACKING PLATE | 1 |
| <i>USED ON FUSION VARIO ONLY</i> | | | |
| 38 | CZD04427 | 4MM OIL PUMP BRACKET BELT BALER | 1 |
| <i>USED ON V6 SERIES ONLY (SHOWN)</i> | | | |
| 38 | CZD02808 | 4MM OIL PUMP BRACKET V6 COMBI | 1 |
| <i>USED ON FUSION VARIO ONLY</i> | | | |
| 39 | CZF05093 | 6MM L LOCKING PLATE | 1 |

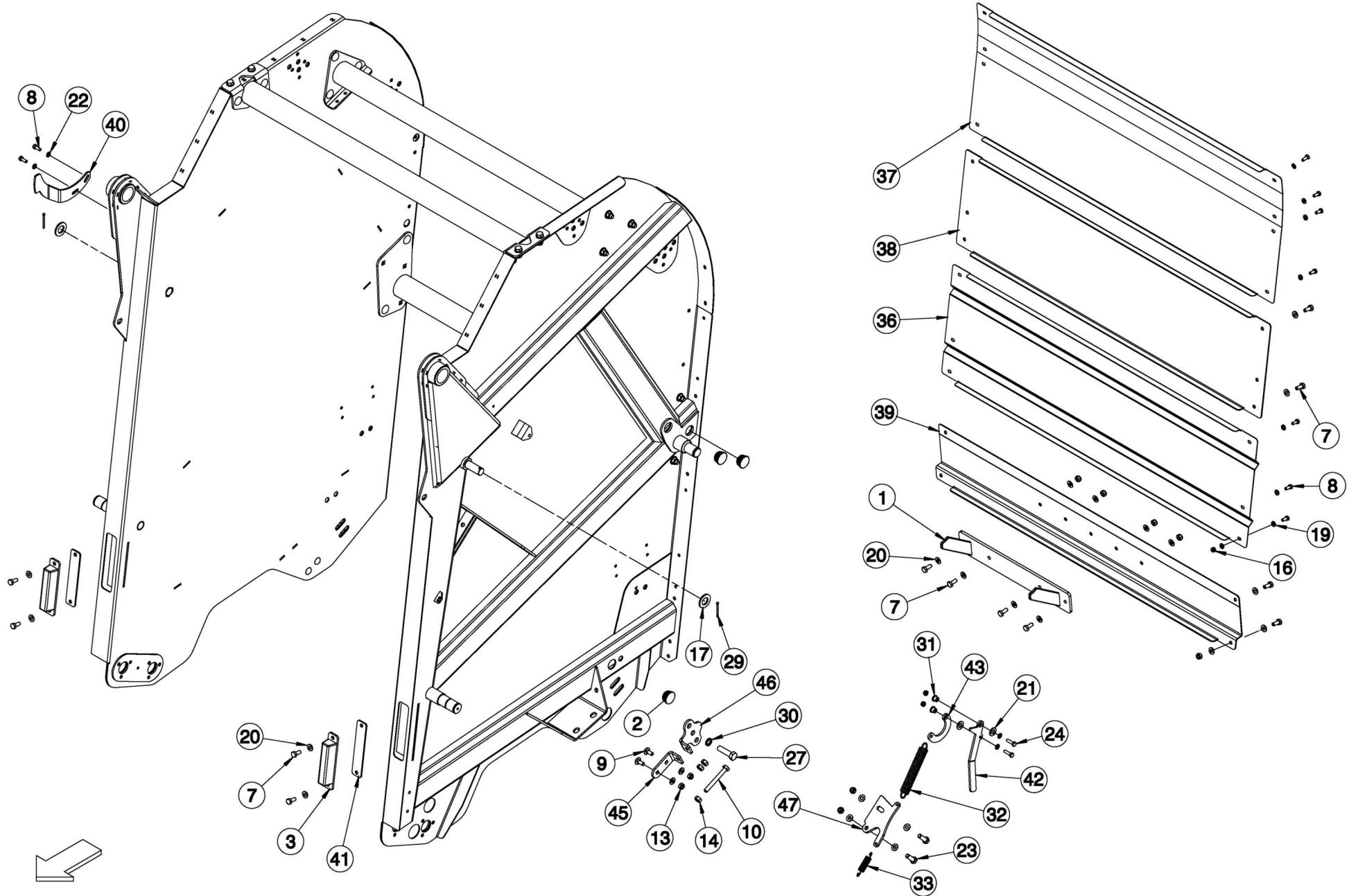
Front chamber RHS (852)



| No. | Part No | Description | Qty |
|--|----------|--------------------------------------|-----|
| 1 | ACH01073 | DOOR HOOK ASSY RIGHT V660 | 1 |
| 2 | ACH01354 | FRONT WELD ASSY RHS VARIO | 1 |
| <i>USED ON FUSION VARIO ONLY</i> | | | |
| 2 | ACH02503 | FRONT WELD ASSY RHS V660 MKIII | 1 |
| <i>USED ON V6 MKIII SERIES ONLY</i> | | | |
| 3 | CBR02000 | BEARING VAR BALER | 2 |
| 4 | CBR02003 | BEARING GLACIER PM 4520 DX | 2 |
| 5 | CFA00001 | CIRCLIP 25MM EXTERNAL Z/P | 1 |
| 6 | CFA00052 | SETSCREW M8X20 Z/P | 1 |
| 7 | CFA00055 | BOLT M8X35 Z/P | 1 |
| <i>USED ON V6 SERIES ONLY</i> | | | |
| 8 | CFA00106 | BOLT M8X45 Z/P | 2 |
| 9 | CFA00115 | SETSCREW M6X20 Z/P | 2 |
| 10 | CFA00118 | GREASE NIPPLE M8X1.25 STRAIGHT | 1 |
| 11 | CFA00128 | NUT M16 NYLOC | 1 |
| 12 | CFA00132 | NUT M8 NYLOC Z/P | 3 |
| 13 | CFA00135 | WASHER FLAT 1" Z/P | 1 |
| 14 | CFA00140 | WASHER FLAT 16MM Z/P | 1 |
| 15 | CFA00147 | WASHER FLAT 8MM Z/P | 6 |
| 16 | CFA00249 | WASHER SKM8 | 1 |
| 17 | CFA00473 | NUT M6 STD ZP | 2 |
| 18 | CFA00514 | CIRCLIP 35MM EXTERNAL | 1 |
| 19 | CFA00519 | SETSCREW M8X16 FLD ZP | 4 |
| 20 | CFA00855 | 6MM MUDGUARD WASHER | 2 |
| 21 | CHY00276 | STEEL PIPE ASSY COMPLETE V6 SERIES | 1 |
| <i>USED ON V6 SERIES ONLY</i> | | | |
| 22 | CHY00283 | ASSY STL PIPE BSP V6 SERIES COMPLETE | 1 |
| 23 | CHY01061 | OIL WICK KIT FULL BALER RANGE | 1 |
| <i>OIL WICK KIT FULL BALER RANGE</i> | | | |
| 24 | CMH02041 | PIN VAR BALER | 1 |
| 25 | CRA00631 | DOOR OPEN RAM V660 | 1 |
| 26 | CSG00257 | SPRING DOOR LATCH 6.35X35X242 V6 | 1 |
| 27 | CSG00275 | SPRING BELVILLE HEAVY DUTY | 1 |
| 28 | CVA00614 | VALVE FLOOR/PICK-UP NEM V640 | 1 |
| <i>USED ON V640 MACHINES ONLY</i> | | | |
| 28 | CVA00361 | VALVE CTRL FLOOR KNIVES V660 2011+ | 1 |
| <i>USED ON V660 MACHINES ONLY</i> | | | |
| 29 | CZD04773 | V6 DUPLEX CHAIN INNER OILER BRKT | 1 |
| 30 | CZE04247 | WASHER 48X35.5X5 BELT BALER | 2 |
| 31 | CZF06530 | 6MM SENSOR ADJUSTER TENSION ARM | 1 |
| <i>UP TO V6 SERIAL No 802077 & FUSION VARIO SERIAL No 900071</i> | | | |
| 31 | ACH02849 | BALE DIAMETER INDICATOR | 1 |
| <i>FROM V6 SERIAL No 802078 & FUSION VARIO SERIAL No 900072</i> | | | |

| No. | Part No | Description | Qty |
|-----|---------|-------------|-----|
|-----|---------|-------------|-----|

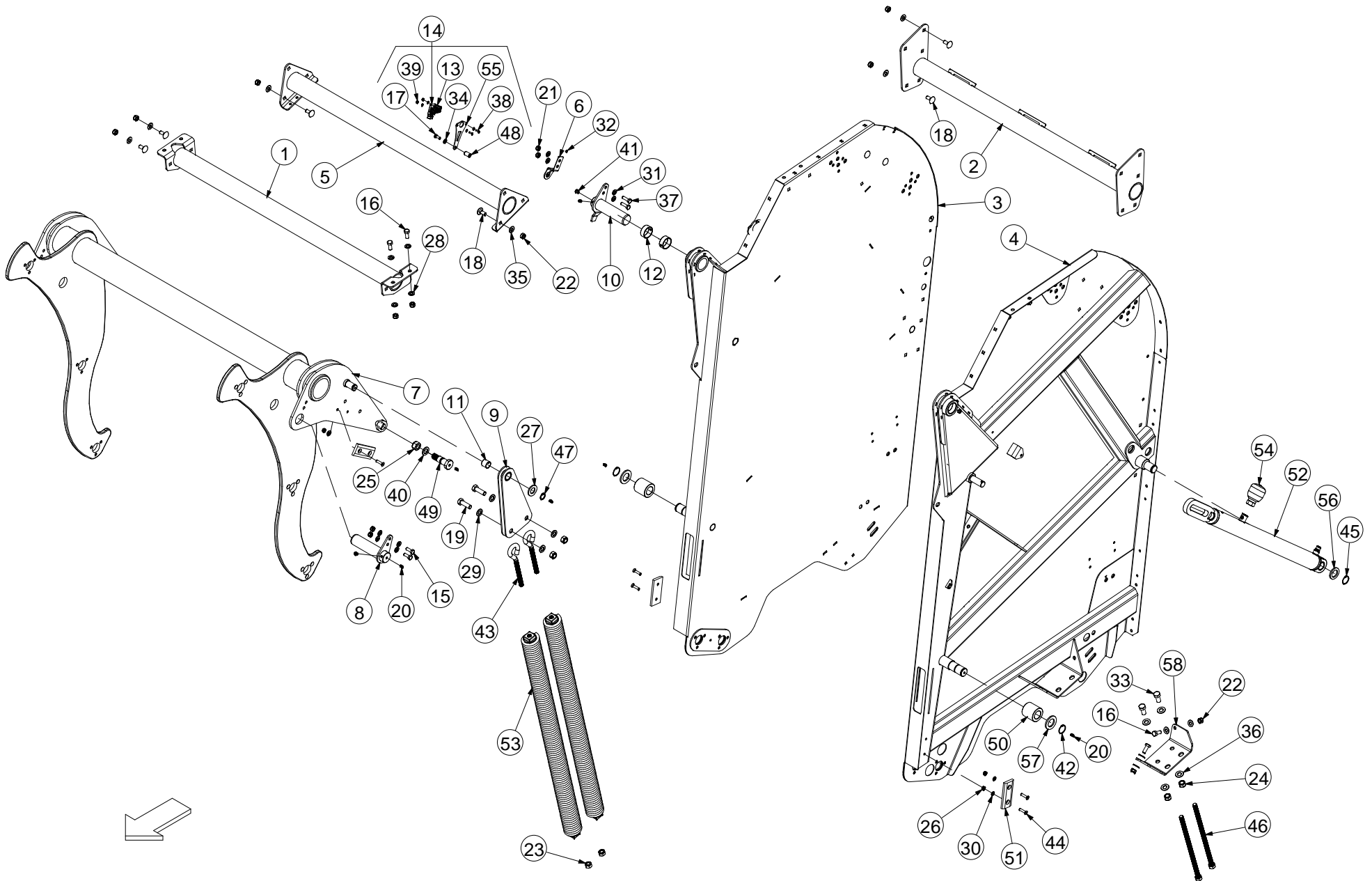
Rear chamber door 1 (920)



| No. | Part No | Description | Qty |
|---------------------|----------|--------------------------------------|-----|
| 1 | ACH02533 | BELT GUIDE WELD ASSY V6 | 1 |
| 2 | CBC00005 | CAP PLASTIC INSERT 42.4MM RND | 6 |
| 3 | CBE00197 | BUFFER ASSY 43 SHORE V BALER | 2 |
| 7 | CFA00024 | SETSCREW M10X25 Z/P | 20 |
| 8 | CFA00052 | SETSCREW M8X20 Z/P | 17 |
| 9 | CFA00068 | BOLT M10X25 CUP SQ. Z/P | 4 |
| 10 | CFA00080 | SETSCREW M12X100 Z/P | 2 |
| 13 | CFA00123 | NUT M10 NYLOC | 22 |
| 14 | CFA00125 | NUT M12 Z/P | 6 |
| 16 | CFA00132 | NUT M8 NYLOC Z/P | 16 |
| 17 | CFA00135 | WASHER FLAT 1" Z/P | 2 |
| 19 | CFA00147 | WASHER FLAT 8MM Z/P | 30 |
| 20 | CFA00201 | WASHER FLAT 10 MM Z/P | 44 |
| 21 | CFA00222 | WASHER FLAT 14MM Z/P | 2 |
| 22 | CFA00249 | WASHER SKM8 | 2 |
| 23 | CFA00297 | BOLT M12X40 Z/P | 2 |
| 24 | CFA00316 | BOLT M8X30 Z/P | 2 |
| 27 | CFA02290 | BOLT M16 X 60 Z/P DIN 931 GRADE 12.9 | 2 |
| <i>WAS CFA00409</i> | | | |
| 29 | CFA00556 | SPLIT PIN 6X50 Z/P | 2 |
| 30 | CFA00783 | WASHER NL16 NORD-LOCK | 2 |
| 31 | CMH00742 | BUSH 8X20X13 ZINC PLATED | 2 |
| 32 | CSG00208 | SPRING EXT 3.5X28X188X43 Z/P | 1 |
| 33 | CSG00267 | SPRING EXT 2X18.5X85X25 | 1 |
| 36 | CZB04372 | 1.5MM BACK PANEL V6 | 1 |
| 37 | CZB04389 | 1.5MM PANEL BACK DOOR V6 | 1 |
| 38 | CZC04557 | 3MM L BACK PANEL V6 | 1 |
| 39 | CZC04759 | 3MM L NO-LIGHT BRACKET V6 | 1 |
| 40 | CZD02891 | 4MM SENSOR BKT DOOR OPEN V6 | 1 |
| 41 | CZD04507 | 4MM L BUFFER PART SPACER V660 | 2 |
| 42 | CZF05436 | 6MM L TENSION ARM LOCK PART | 1 |
| 43 | CZF05444 | 6MM L TENSION ARM LOCK PART | 1 |
| 45 | CZF05958 | 8MM L ADJUSTER BRACKET V6 | 2 |
| 46 | CZF06085 | 6MM L ADJUSTER BRACKET V6 | 2 |
| 47 | CZG04334 | 6MM L TENSION ARM LOCK PART | 1 |

| No. | Part No | Description | Qty |
|-----|---------|-------------|-----|
|-----|---------|-------------|-----|

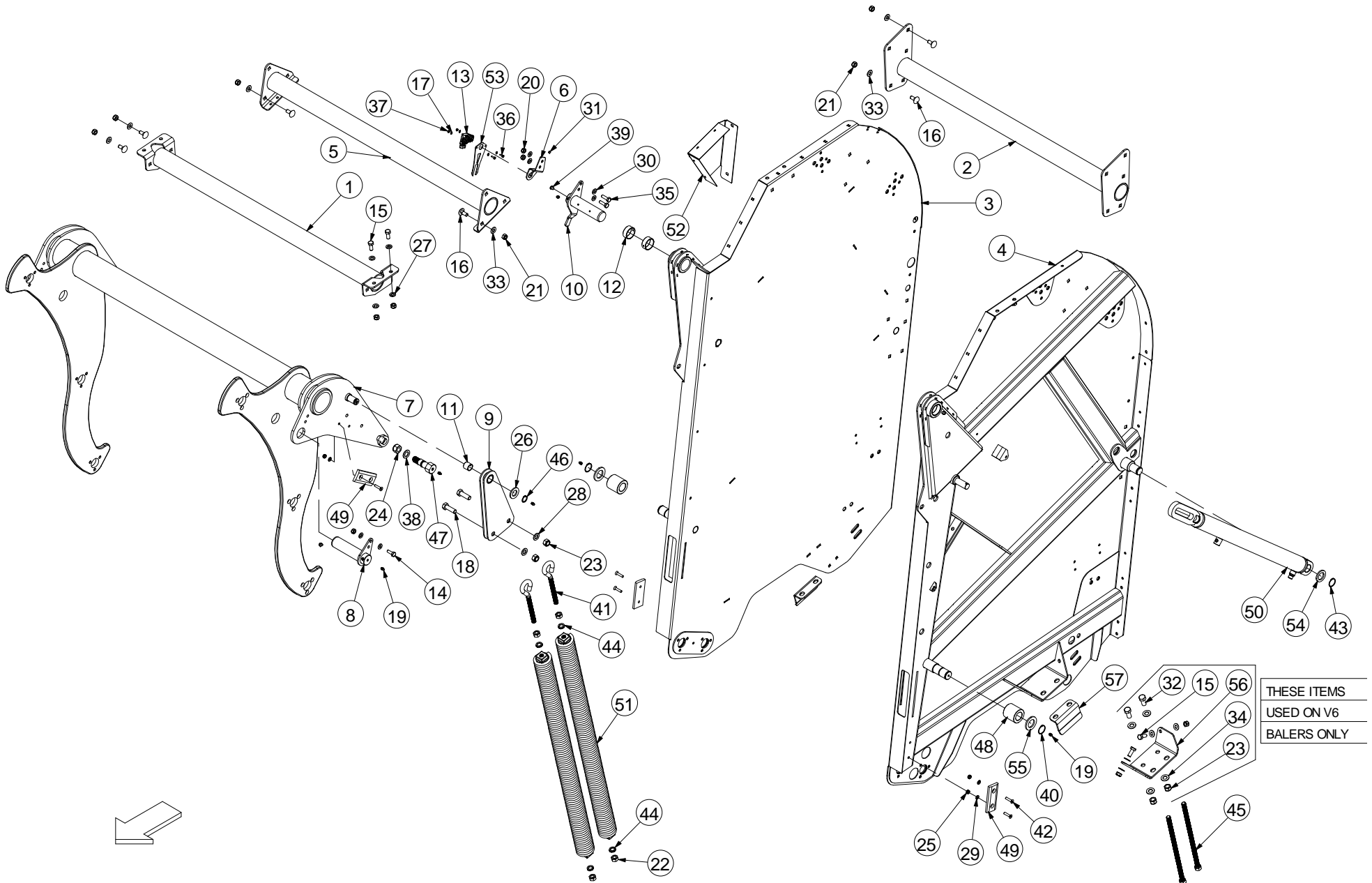
Rear chamber door 2 [Up to V6 Serial No 802077 + Vario 900071] (849)



| No. | Part No | Description | Qty |
|--|----------|---------------------------------------|-----|
| 1 | ACH02524 | 6MM BRACE BRKT V6 | 1 |
| 2 | ACH02532 | BRACE WELD ASSY V6 | 1 |
| 3 | ACH02548 | BACK DOOR WELD ASSY RIGHT V6 | 1 |
| 4 | ACH02557 | REAR SIDE WALL LEFT V6 | 1 |
| 5 | ACH02559 | CROSS BEAM WELD ASSY V6 | 1 |
| 6 | ACH02625 | POTENTIOMETER BRACKET ASSY VARIO | 1 |
| <i>FROM SERIAL NO 801284 ONWARDS</i> | | | |
| 6 | ACH02587 | POTENTIOMETER BRACKET ASSY MK3 V6 | 1 |
| <i>SERIAL NO 800801 TO 800851, 801232 & 801245</i> | | | |
| 7 | ALA00494 | TENSION ARM WELD ASSY V6 MKIII | 1 |
| 8 | ALA00496 | 45MM PIN ASSY V6 | 1 |
| 9 | ALA00535 | SPRING LINK ASSY V6 | 2 |
| 10 | ALA00618 | 45MM PIN ASSY V6 | 1 |
| 11 | CBR00039 | BEARING GLACIER PM 2525 DX | 2 |
| 12 | CBR02003 | BEARING GLACIER PM 4520 DX | 4 |
| 13 | CEL00785 | ANGLE SENSOR, 120 DEGREE, 0.5-4.5VOLT | 1 |
| 14 | CEL00884 | TENSION ARM ANGLE SENSOR ASSY | 1 |
| <i>INCLUDES ITEMS 13, 17, 34, 38, 39, 48 & 55</i> | | | |
| 15 | CFA00025 | SETSCREW M10X30 | 2 |
| 16 | CFA00032 | SETSCREW M12X30 Z/P | 8 |
| 17 | CFA00052 | SETSCREW M8X20 Z/P | 1 |
| 18 | CFA00078 | SETSCREW M12X30 CUP SQ Z/P | 20 |
| 19 | CFA00116 | BOLT M16X50 Z/P | 4 |
| 20 | CFA00118 | GREASE NIPPLE M8X1.25 STRAIGHT | 9 |
| 21 | CFA00123 | NUT M10 NYLOC | 4 |
| 22 | CFA00124 | NUT M12 NYLOC | 28 |
| 23 | CFA00127 | NUT M16 | 4 |
| 24 | CFA00128 | NUT M16 NYLOC | 8 |
| 25 | CFA00129 | NUT M20 NYLOC | 2 |
| 26 | CFA00132 | NUT M8 NYLOC Z/P | 8 |
| 27 | CFA00135 | WASHER FLAT 1" Z/P | 2 |
| 28 | CFA00138 | WASHER FLAT 12MM Z/P | 8 |
| 29 | CFA00140 | WASHER FLAT 16MM Z/P | 8 |
| 30 | CFA00147 | WASHER FLAT 8MM Z/P | 4 |
| 31 | CFA00201 | WASHER FLAT 10 MM Z/P | 12 |
| 32 | CFA00208 | GRUBSCREW M6X6 Z/P | 1 |
| 33 | CFA00229 | SETSCREW M16X35 Z/P | 4 |
| 34 | CFA00249 | WASHER SKM8 | 1 |
| 35 | CFA00250 | WASHER SKM12 | 28 |
| 36 | CFA00252 | WASHER SKM16 | 8 |
| 37 | CFA00311 | SETSCREW M10X35 Z/P | 2 |
| 38 | CFA00391 | SETSCREW M4X16 Z/P | 2 |
| 39 | CFA00392 | NUT M4 NYLOC | 2 |
| 40 | CFA00413 | WASHER FLAT 20MM Z/P | 2 |
| 41 | CFA00447 | SETSCREW M8X10 BUTTON HD Z/P | 3 |
| 42 | CFA00514 | CIRCLIP 35MM EXTERNAL | 2 |
| 43 | CFA00561 | EYE BOLT 16MM SPRING TENSIONER | 4 |
| 44 | CFA00581 | SETSCREW M8X35 CSK Z/P | 8 |
| 45 | CFA00638 | CIRCLIP EXTERNAL 33MM Z/P | 2 |

| No. | Part No | Description | Qty |
|--------------------------|----------|-------------------------------------|-----|
| 46 | CFA00953 | BOLT SPECIAL V6 MK3 | 4 |
| 47 | CFA01007 | CIRCLIP 25MM EXTERNAL DIN471 | 2 |
| 48 | CMH01553 | BUSH 8X15X25 THREADED Z/P | 1 |
| <i>REPLACES CMH00599</i> | | | |
| 49 | CMH01300 | PIN 25X93 M20 THREAD | 2 |
| 50 | CMH02340 | BUSH 35X60X60 DOOR LOCK V660 | 2 |
| 51 | CPL00111 | BACK DOOR WEAR PLATE (VAR BALER) | 4 |
| 52 | CRA00712 | BELT TENSION RAM V6 MKIII | 2 |
| 52a | CSE00627 | SEAL KIT V6 TENSION RAM INCL PISTON | 1 |
| 53 | CSG00242 | TENSION SPRING ASSY V6 | 4 |
| 54 | CVA00151 | ACCUMULATOR 0.075L 50 BAR | 1 |
| 55 | CZC02544 | 3MM ANGLE SENSOR PRT TENSION ARM | 1 |
| 56 | CZE04248 | WASHER 50X32.5X5 | 2 |
| 57 | CZE04336 | WASHER 59X35.5X5 BELT BALER | 2 |
| 58 | CZF06327 | 6MM L SPRING BRKT MK3 V6 | 2 |

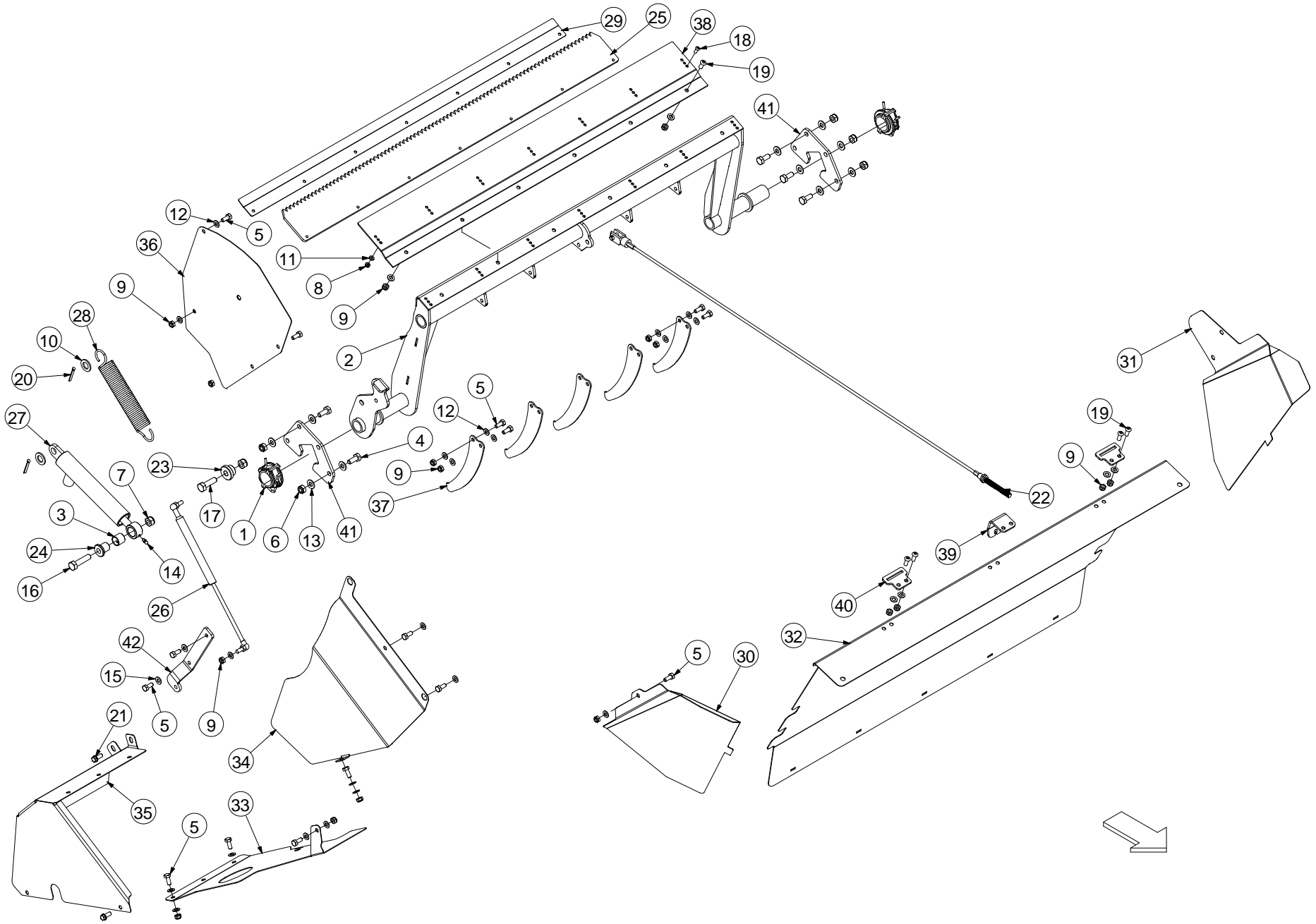
Rear chamber door 2 [From V6 Serial No 802078 + Vario 900072] (919)



| No. | Part No | Description | Qty |
|-----|----------|---------------------------------------|-----|
| 1 | ACH02524 | 6MM BRACE BRKT V6 | 1 |
| 2 | ACH02532 | BRACE WELD ASSY V6 | 1 |
| 3 | ACH02548 | BACK DOOR WELD ASSY RIGHT V6 | 1 |
| 4 | ACH02557 | REAR SIDE WALL LEFT V6 | 1 |
| 5 | ACH02559 | CROSS BEAM WELD ASSY V6 | 1 |
| 6 | ACH02625 | POTENTIOMETER BRACKET ASSY VARIO | 1 |
| 7 | ALA00494 | TENSION ARM WELD ASSY V6 MKIII | 1 |
| 8 | ALA00496 | 45MM PIN ASSY V6 | 1 |
| 9 | ALA00535 | SPRING LINK ASSY V6 | 2 |
| 10 | ALA00699 | 45MM PIN ASSEMBLY V6 | 1 |
| 11 | CBR00039 | BEARING GLACIER PM 2525 DX | 2 |
| 12 | CBR02003 | BEARING GLACIER PM 4520 DX | 4 |
| 13 | CEL00785 | ANGLE SENSOR, 120 DEGREE, 0.5-4.5VOLT | 1 |
| 14 | CFA00025 | SETSCREW M10X30 | 2 |
| 15 | CFA00032 | SETSCREW M12X30 Z/P | 8 |
| 16 | CFA00078 | SETSCREW M12X30 CUP SQ Z/P | 20 |
| 17 | CFA00082 | WASHER 4MM SHAKEPROOF | 4 |
| 18 | CFA00116 | BOLT M16X50 Z/P | 4 |
| 19 | CFA00118 | GREASE NIPPLE M8X1.25 STRAIGHT | 9 |
| 20 | CFA00123 | NUT M10 NYLOC | 4 |
| 21 | CFA00124 | NUT M12 NYLOC | 28 |
| 22 | CFA00127 | NUT M16 | 8 |
| 23 | CFA00128 | NUT M16 NYLOC | 8 |
| 24 | CFA00129 | NUT M20 NYLOC | 2 |
| 25 | CFA00132 | NUT M8 NYLOC Z/P | 8 |
| 26 | CFA00135 | WASHER FLAT 1" Z/P | 2 |
| 27 | CFA00138 | WASHER FLAT 12MM Z/P | 8 |
| 28 | CFA00140 | WASHER FLAT 16MM Z/P | 4 |
| 29 | CFA00147 | WASHER FLAT 8MM Z/P | 8 |
| 30 | CFA00201 | WASHER FLAT 10 MM Z/P | 8 |
| 31 | CFA00208 | GRUBSCREW M6X6 Z/P | 1 |
| 32 | CFA00229 | SETSCREW M16X35 Z/P | 4 |
| 33 | CFA00250 | WASHER SKM12 | 28 |
| 34 | CFA00252 | WASHER SKM16 | 8 |
| 35 | CFA00311 | SETSCREW M10X35 Z/P | 2 |
| 36 | CFA00391 | SETSCREW M4X16 Z/P | 2 |
| 37 | CFA00392 | NUT M4 NYLOC | 2 |
| 38 | CFA00413 | WASHER FLAT 20MM Z/P | 2 |
| 39 | CFA00447 | SETSCREW M8X10 BUTTON HD Z/P | 3 |
| 40 | CFA00514 | CIRCLIP 35MM EXTERNAL | 2 |
| 41 | CFA00561 | EYE BOLT 16MM SPRING TENSIONER | 4 |
| 42 | CFA00581 | SETSCREW M8X35 CSK ZP | 8 |
| 43 | CFA00638 | CIRCLIP EXTERNAL 33MM Z/P | 2 |
| 44 | CFA00783 | WASHER NL16 NORD-LOCK | 8 |
| 45 | CFA00953 | BOLT SPECIAL V6 MK3 | 4 |
| 46 | CFA01007 | CIRCLIP 25MM EXTERNAL DIN471 | 2 |
| 47 | CMH01300 | PIN 40X105 M20 THREAD | 2 |
| 48 | CMH02340 | BUSH 35X60X60 DOOR LOCK V660 | 2 |

| No. | Part No | Description | Qty |
|--------------------------------------|----------|-------------------------------------|-----|
| 49 | CPL00111 | BACK DOOR WEAR PLATE (VAR BALER) | 4 |
| 50 | CRA00712 | BELT TENSION RAM V6 MKIII | 2 |
| 50 | CSE00627 | SEAL KIT V6 TENSION RAM INCL PISTON | 1 |
| 51 | CSG00242 | TENSION SPRING ASSY V6 | 4 |
| 52 | CZB02494 | 1.5MM L BALE SHAPE SENSOR COVER | 1 |
| 53 | CZC04833 | 3MM L ANGLE SENSOR PRT TENSION ARM | 1 |
| 54 | CZE04248 | WASHER 50X32.5X5 | 2 |
| 55 | CZE04336 | WASHER 59X35.5X5 BELT BALER | 2 |
| 56 | CZF06327 | 6MM L SPRING BRKT MK3 V6 | 2 |
| <i>USED ON V6 SERIES BALERS ONLY</i> | | | |
| 57 | CZF06702 | 6MM CRADLE STOP BRACKET VARIO | 2 |
| <i>USED ON FUSION VARIO ONLY</i> | | | |

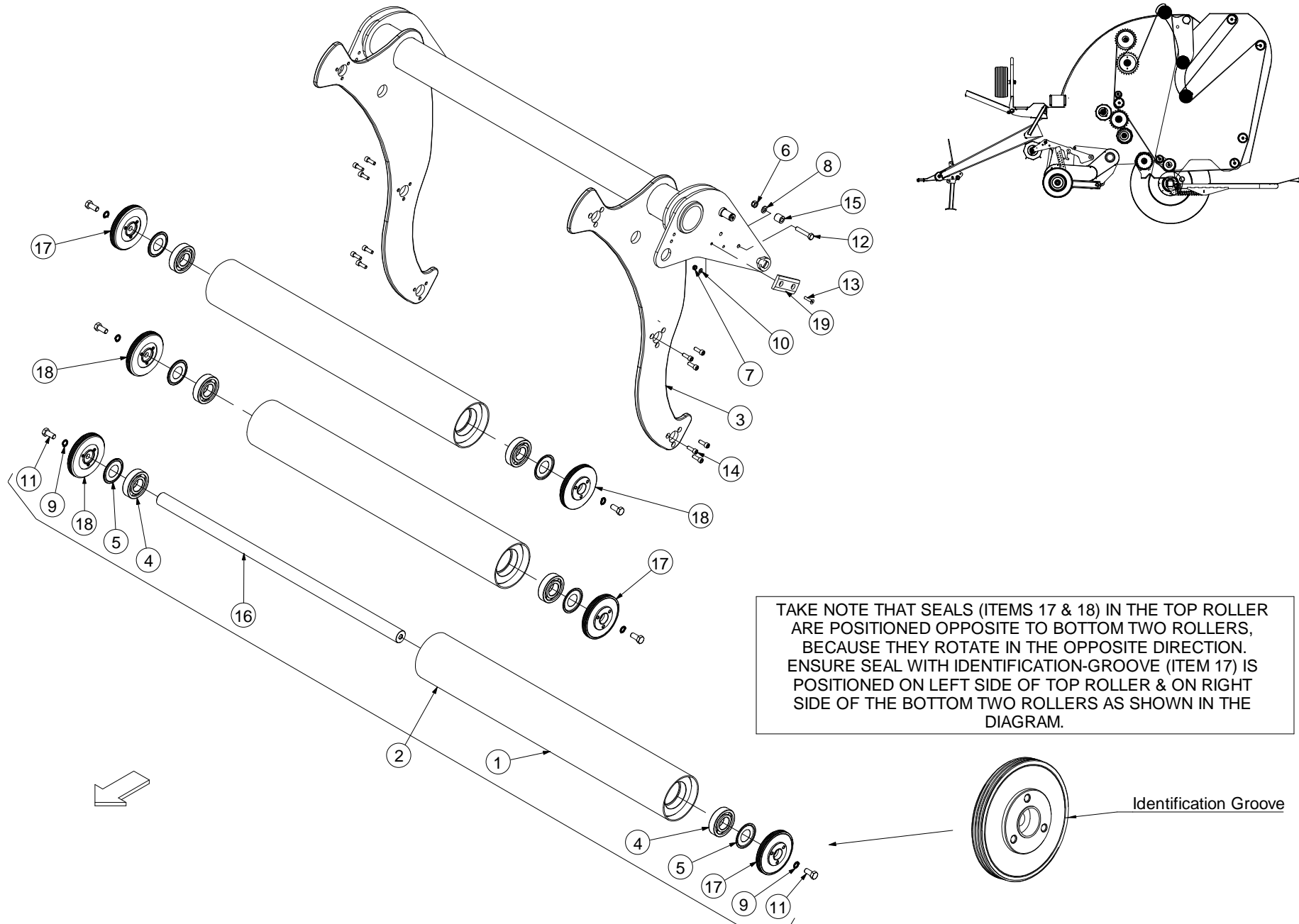
Net beak (927)



| No. | Part No | Description | Qty |
|----------------------------------|----------|--|-----|
| 1 | ALA00177 | BUSHING CENTER (ASSY) REEL | 2 |
| 2 | ANT00110 | NET ARM WELD ASSY V6 | 1 |
| 3 | CBR00096 | BEARING GLACIER PM 2020 DX | 1 |
| 4 | CFA00024 | SETSCREW M10X25 Z/P | 7 |
| 5 | CFA00052 | SETSCREW M8X20 Z/P | 24 |
| 6 | CFA00123 | NUT M10 NYLOC | 7 |
| 7 | CFA00124 | NUT M12 NYLOC | 2 |
| 8 | CFA00131 | NUT M6 NYLOC | 7 |
| 9 | CFA00132 | NUT M8 NYLOC Z/P | 29 |
| 10 | CFA00140 | WASHER FLAT 16MM Z/P | 2 |
| 11 | CFA00144 | WASHER FLAT 6MM Z/P | 7 |
| 12 | CFA00147 | WASHER FLAT 8MM Z/P | 46 |
| 13 | CFA00201 | WASHER FLAT 10 MM Z/P | 14 |
| 14 | CFA00217 | GREASE NIPPLE M6X1.0 ST | 1 |
| 15 | CFA00249 | WASHER SKM8 | 2 |
| 16 | CFA00272 | BOLT M12X50 Z/P | 1 |
| 17 | CFA00297 | BOLT M12X40 Z/P | 1 |
| 18 | CFA00427 | SETSCREW M6X16 BUTTON HEAD Z/P | 7 |
| 19 | CFA00429 | SETSCREW M8X20 BUTTON HEAD Z/P | 10 |
| 20 | CFA00475 | SPLIT PIN 5X40 Z/P | 2 |
| 21 | CFA00766 | SETSCREW M8X20 FLANGED DIN6921 Z/P | 4 |
| 22 | CFA01035 | NET BEAK CONTROL CABLE FUSION VARIO | 1 |
| <i>FROM SERIAL No 900071+</i> | | | |
| 23 | CMH00771 | BUSH 12X35 STEPPED | 1 |
| 24 | CMH01214 | BUSH 12.5X20X27 STEPPED Z/P | 1 |
| 25 | CPL00193 | BEAK GUIDE STRIP BELT BALER | 1 |
| 26 | CRA00727 | GAS STRUT 365X145 STROKE 400N (EXT DAMP) | 1 |
| 27 | CRA00737 | RAM NET FEED ARM RESET V6 | 1 |
| <i>INCLUDES ITEMS 3 & 14</i> | | | |
| 28 | CSG00283 | SPRING EXTENSION 4.06X42X242 | 1 |
| 29 | CZB00279 | 1.5MM BEAK RUBBER RETAINER | 1 |
| 30 | CZB00280 | 1.5MM GRASS SHEILD PART VARIO | 1 |
| 31 | CZB00281 | 1.5MM GRASS SHEILD PART VARIO | 1 |
| 32 | CZB02466 | 1.5MM GEARBOX GUARD BALER/WRAPPER | 1 |
| 33 | CZB02473 | 1.5MM CHAIN GUARD PART VARIO | 1 |
| 34 | CZB02500 | 1.5MM NET BEAK GUARD VARIO | 1 |
| 35 | CZB04299 | 1.5MM L ROTOR CHAIN GUARD V660 | 1 |
| 36 | CZB04431 | 1.5MM L DIRT GUARD PART V660 | 1 |
| 37 | CZC04769 | 3MM L NET STOP PLATE | 5 |
| 38 | CZC04944 | 3MM NET ARM PLATE V6 | 1 |
| <i>FROM SERIAL No 900123+</i> | | | |
| 39 | CZD02883 | 4MM CABLE BRACKET NET BEAK | 1 |
| 40 | CZD04772 | 4MM L STRAP BRACKET VARIO | 2 |
| 41 | CZF06553 | 6MM NET PLATE PIVOT PLATE | 2 |
| 42 | CZF06570 | 6MM STRUT BRACKET VARIO | 1 |

| No. | Part No | Description | Qty |
|-----|---------|-------------|-----|
|-----|---------|-------------|-----|

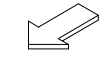
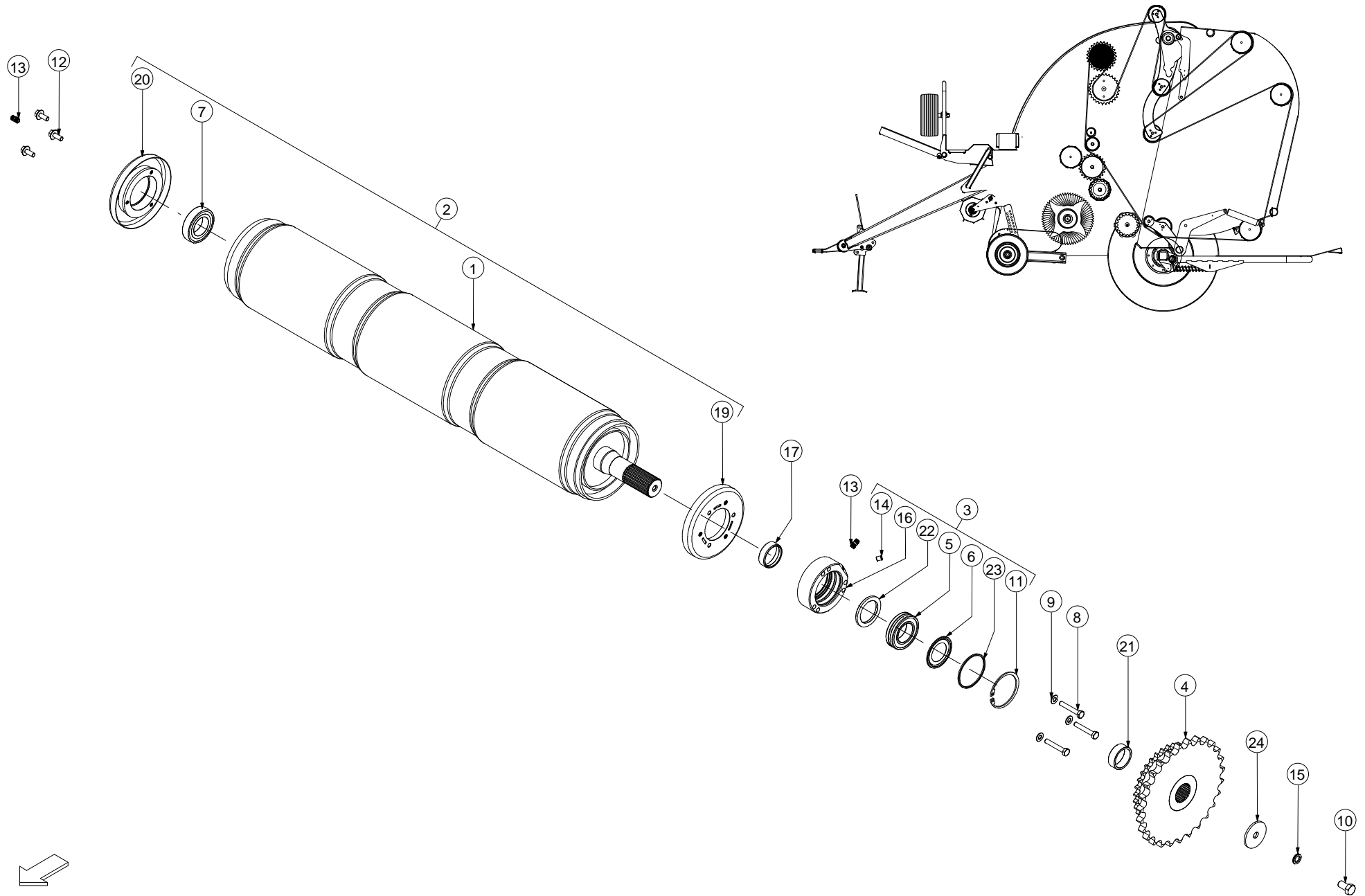
Tension arm rollers (858)



| No. Part No | Description | Qty |
|---|------------------------------------|-----|
| 0 ALA00682 | TENSION ARM COMPLETE ASSY V6 MKIII | 1 |
| <i>COMPLETE ASSEMBLY WITH ROLLERS (INCLUDES ITEMS 1 THROUGH 19)</i> | | |
| 1 ACH02016 | TUBE WELD ASSY | 3 |
| 2 ACH02017 | ROLLER COMP V BALER | 3 |
| 3 ALA00494 | TENSION ARM WELD ASSY V6 MKIII | 1 |
| 4 CBR00253 | BEARING 6309 2RS | 6 |
| 5 CBR00281 | NILOS RING 6309 AV | 6 |
| 6 CFA00124 | NUT M12 NYLOC | 4 |
| 7 CFA00132 | NUT M8 NYLOC Z/P | 4 |
| 8 CFA00138 | WASHER FLAT 12MM Z/P | 4 |
| 9 CFA00142 | WASHER SPRING 16MM Z/P | 6 |
| 10 CFA00147 | WASHER FLAT 8MM Z/P | 4 |
| 11 CFA00229 | SETSCREW M16X35 Z/P | 6 |
| 12 CFA00579 | BOLT M12X65 ZP | 4 |
| 13 CFA00581 | SETSCREW M8X35 CSK ZP | 4 |
| 14 CFA00809 | BOLT M10X30 SOC CAP 12.9 | 18 |
| 15 CMH00745 | BUSH 12X25X25 | 4 |
| 16 CMH02007 | SHAFT VAR BALER | 3 |
| 17 CMH02014 | SEALING DISC V BALER | 3 |
| <i>SEAL WITH IDENTIFICATION GROOVE ON NEARSIDE FOR LOWER 2 ROLLERS AND ON FAR SIDE FOR TOP ROLLER</i> | | |
| 18 CMH02015 | SEALING DISC V BALER | 3 |
| 19 CPL00111 | BACK DOOR WEAR PLATE (VAR BALER) | 2 |

| No. Part No | Description | Qty |
|-------------|-------------|-----|
|-------------|-------------|-----|

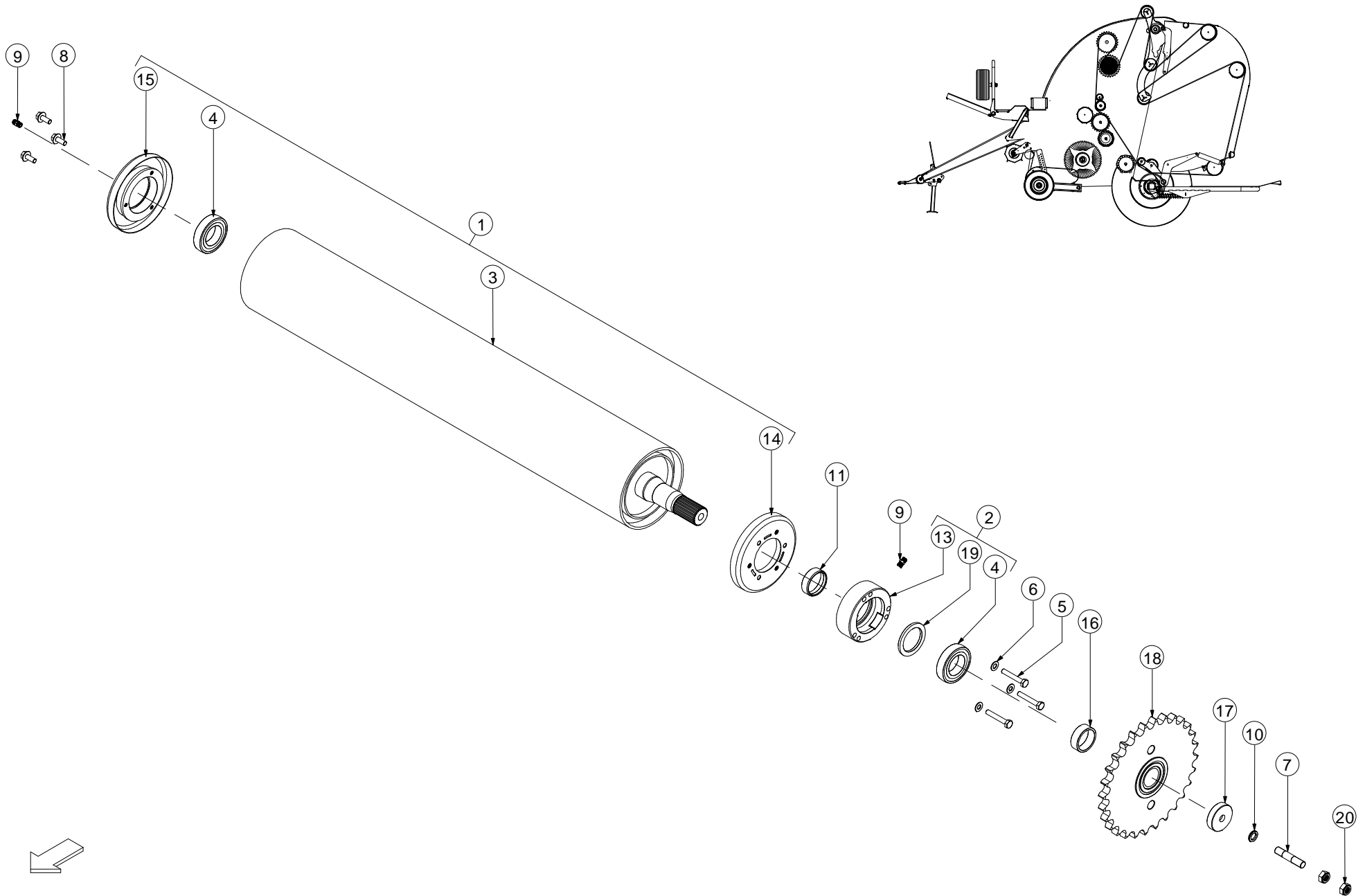
Top drive roller (639)



| No. | Part No | Description | Qty |
|---|----------|---------------------------------|-----|
| 1 | ACH02023 | DRIVE ROLLER V BALER | 1 |
| 2 | ACH02033 | DRIVE ROLLER V BALER | 1 |
| 3 | ART00051 | BEARING ROLLER COMP ASSY | 1 |
| 4 | ART00338 | 27T SPROCKET ASSY BELT BALER | 1 |
| 5 | CBR00060 | BEARING SPHERICAL SKF 2210CC | 1 |
| 6 | CBR00061 | NILOS-RING 6210AV | 1 |
| 7 | CBR00083 | BEARING 1726210-2RS RADIAL | 1 |
| 8 | CFA00028 | BOLT M10X65 Z/P | 3 |
| 9 | CFA00251 | WASHER SKM10 | 3 |
| 10 | CFA00399 | SETSCREW M16X30 Z/P | 1 |
| 11 | CFA00452 | CIRCLIP 95MM INTERNAL | 1 |
| 12 | CFA00520 | SETSCREW M10X25 FLD ZP | 3 |
| 13 | CFA00549 | GREASE FITTING 6MM X 1/8" | 2 |
| 14 | CFA00559 | GRUBSCREW M10X12 | 1 |
| 15 | CFA00783 | WASHER NL16 NORD-LOCK | 1 |
| 16 | CMH00511 | BUSH 90X135X46 BEARING HOUSING | 1 |
| 17 | CMH00445 | BEARING ROLLER SLEEVE 50 ID X14 | 1 |
| <i>UP TO SERIAL NO 801349</i> | | | |
| 17 | CMH01363 | BEARING ROLLER SLEEVE 50 ID X18 | 1 |
| <i>FROM SERIAL NO 801350</i> | | | |
| 19 | ARC00287 | SPUN ROLLER SEAL DS V6 | 1 |
| <i>ARC00287 & ARC00288 SHOULD BE REPLACED AS A PAIR</i> | | | |
| 20 | ARC00288 | SPUN ROLLER SEAL NDS V6 | 1 |
| <i>ARC00287 & ARC00288 SHOULD BE REPLACED AS A PAIR</i> | | | |
| 21 | CMH02349 | BUSH 50X60X20 | 1 |
| 22 | CSE00099 | SEAL OIL 58X80X8 | 1 |
| 23 | CZC02063 | 3MM L BEARING RETAINER RING | 1 |
| 24 | CZE04255 | 5MM L WASHER 16X70X5 | 1 |

| No. | Part No | Description | Qty |
|-----|---------|-------------|-----|
|-----|---------|-------------|-----|

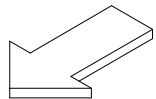
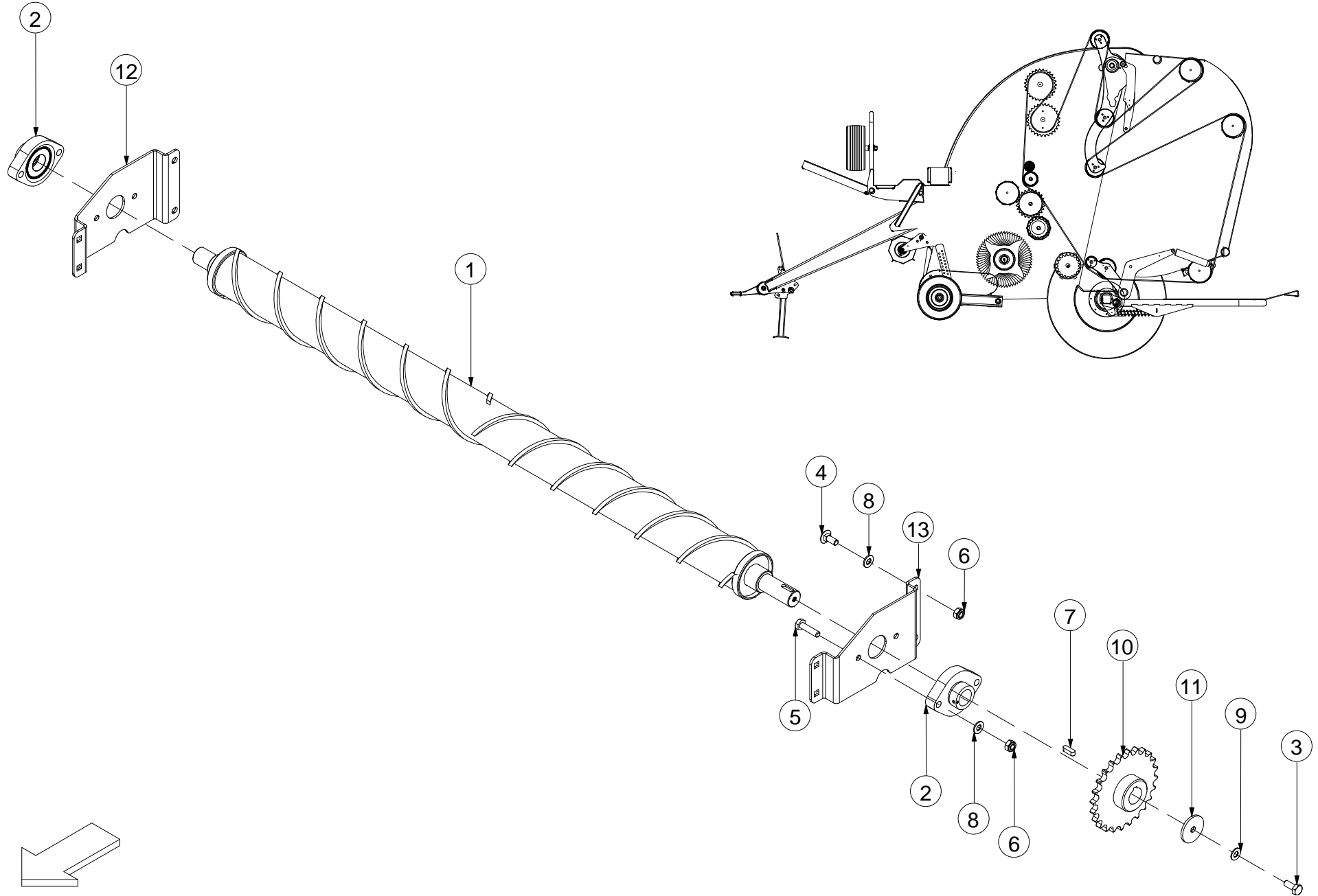
Bottom drive roller (640)



| No. | Part No | Description | Qty |
|---|----------|---------------------------------|-----|
| 1 | ARC00170 | DUAL DRIVE ROLLER COMPLETE | 1 |
| 2 | ART00293 | BEARING HOUSING 76210 ASSY | 1 |
| 3 | ART00314 | DUAL DRIVE ROLLER BELT BALER | 1 |
| 4 | CBR00083 | BEARING 1726210-2RS RADIAL | 2 |
| 5 | CFA00028 | BOLT M10X65 Z/P | 3 |
| 6 | CFA00251 | WASHER SKM10 | 3 |
| 7 | CFA00933 | STUD M16X70 GRADE 10.9 F/TX1 | 1 |
| 8 | CFA00520 | SETSCREW M10X25 FLANGED 8.8 ZP | 3 |
| 9 | CFA00549 | GREASE FITTING 6MM X 1/8" | 2 |
| 10 | CFA00783 | WASHER NL16 NORD-LOCK | 1 |
| 11 | CMH01363 | BEARING ROLLER SLEEVE 50 ID X18 | 1 |
| <i>UP TO SERIAL NO 801349</i> | | | |
| 11 | CMH00906 | BEARING ROLLER SLEEVE 50 ID X21 | 1 |
| <i>FROM SERIAL NO 801350</i> | | | |
| 13 | CMH00905 | BUSH 90X135X46 BEARING HOUSING | 1 |
| 14 | ARC00287 | SPUN ROLLER SEAL DS V6 | 1 |
| <i>ARC00287 & ARC00288 SHOULD BE REPLACED AS A PAIR</i> | | | |
| 15 | ARC00288 | SPUN ROLLER SEAL NDS V6 | 1 |
| <i>ARC00287 & ARC00288 SHOULD BE REPLACED AS A PAIR</i> | | | |
| 16 | CMH02349 | BUSH 50X60X20 | 1 |
| 17 | CMH02350 | WASHER STEPPED 52X46X16 | 1 |
| 18 | CMT00200 | OVERRUNNING CLUTCH BELT BALER | 1 |
| 19 | CSE00099 | SEAL OIL 58X80X8 | 1 |
| 20 | CFA00386 | NUT M16X1.5 NYLOC FINE DIN 985 | 2 |

| No. | Part No | Description | Qty |
|-----|---------|-------------|-----|
|-----|---------|-------------|-----|

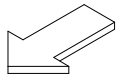
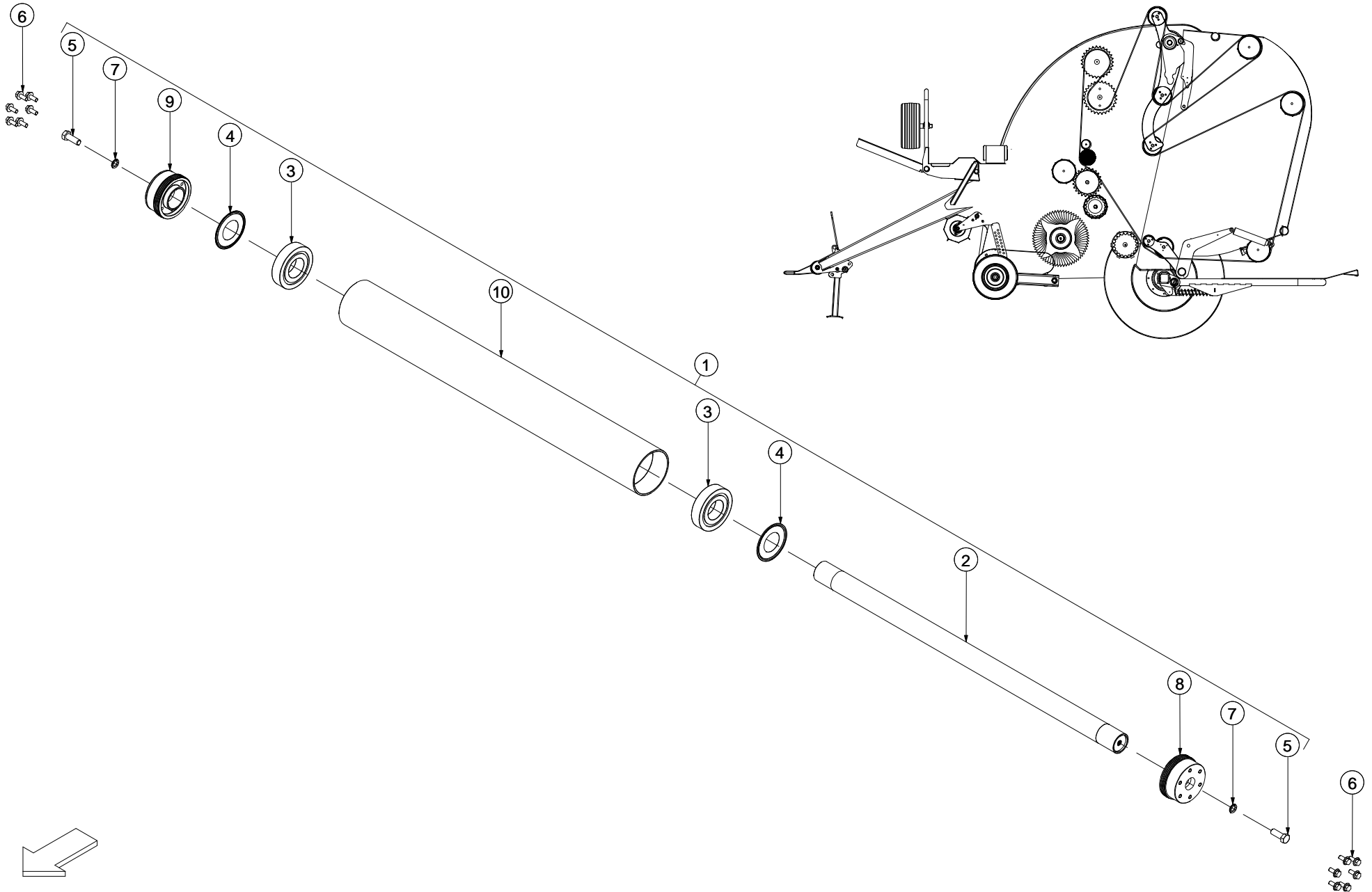
Auger (646)



| No. | Part No | Description | Qty |
|-----|----------|----------------------------|-----|
| 1 | ARC00228 | AUGER WELD ASSY LONG | 1 |
| 2 | CBR00288 | BEARING FLCTE30 | 2 |
| 3 | CFA00024 | SETSCREW M10X25 Z/P | 1 |
| 4 | CFA00068 | BOLT M10X25 CUP SQ. Z/P | 8 |
| 5 | CFA00071 | BOLT M10X40 | 4 |
| 6 | CFA00123 | NUT M10 NYLOC | 12 |
| 7 | CFA00154 | KEY 8 X 7 X 25 | 1 |
| 8 | CFA00201 | WASHER FLAT 10 MM Z/P | 12 |
| 9 | CFA00251 | WASHER SKM10 | 1 |
| 10 | CMH01265 | SPROCKET 3/4" 24 TOOTH | 1 |
| 11 | CZD02479 | 4MM L WASHER 10.5X50X4 Z/P | 1 |
| 12 | CZD02602 | 4MM L AUGER BRACKET V660 | 1 |
| 13 | CZD02603 | 4MM L AUGER BRACKET V660 | 1 |

| No. | Part No | Description | Qty |
|-----|---------|-------------|-----|
|-----|---------|-------------|-----|

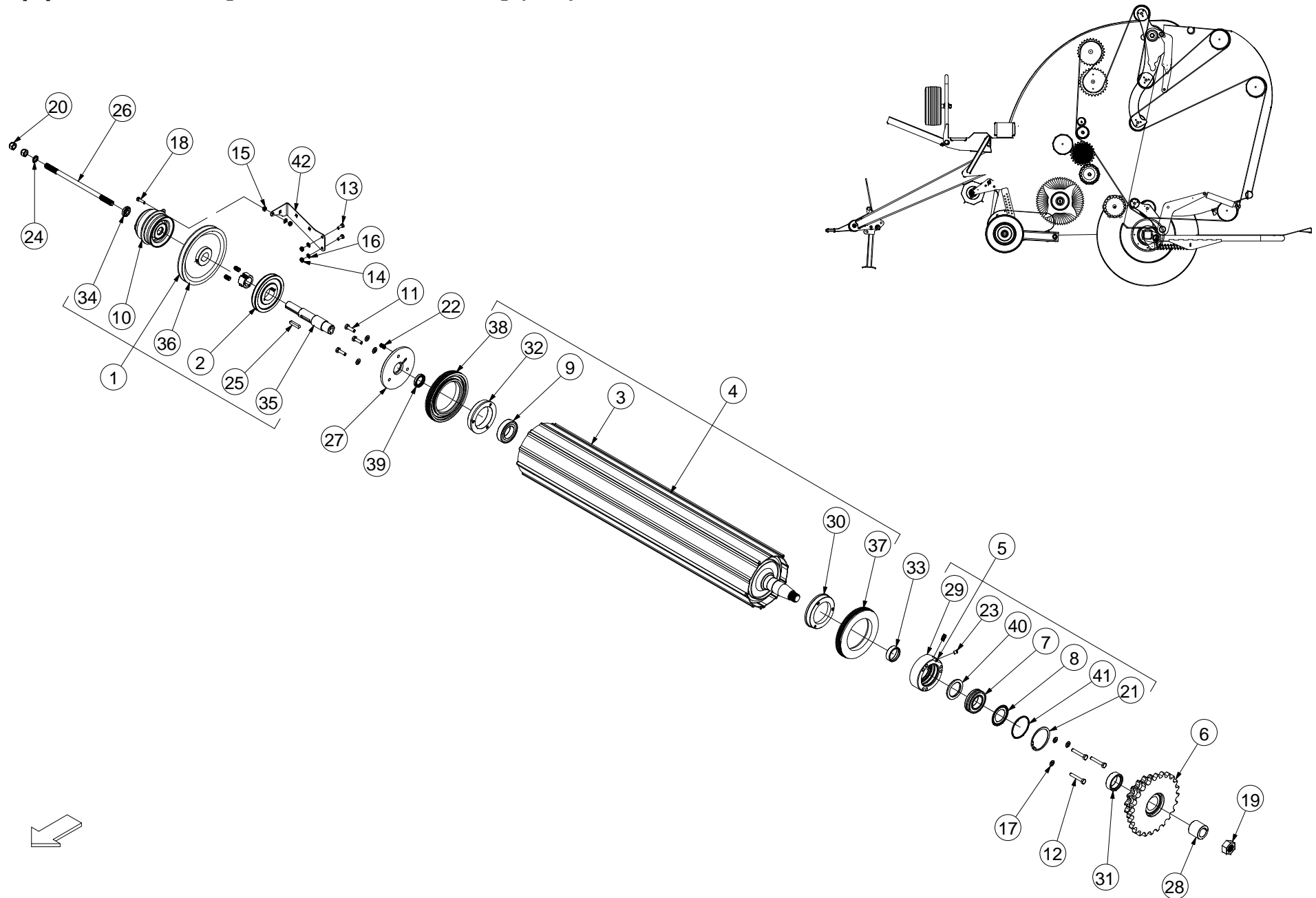
Small idle roller (645)



| No. | Part No | Description | Qty |
|-----|----------|-----------------------------------|-----|
| 1 | ARC00209 | ROLLER 139.7 COMP ASSY | 1 |
| 2 | ARC00210 | SHAFT ASSY IDLE ROLLER BELT BALER | 1 |
| 3 | CBR00284 | BEARING 6312 2RS | 2 |
| 4 | CBR00285 | NILOS-RING 6312AV | 2 |
| 5 | CFA00283 | SETSCREW M16X35 | 2 |
| 6 | CFA00520 | SETSCREW M10X25 FLD ZP | 12 |
| 7 | CFA00783 | WASHER NL16 NORD-LOCK | 2 |
| 8 | CMH01257 | SEALING DISC LEFT VAR BALER | 1 |
| 9 | CMH01258 | SEALING DISC RIGHT VAR BALER | 1 |
| 10 | CXT00543 | TUBE139.7X6.3X1155 | 1 |

| No. | Part No | Description | Qty |
|-----|---------|-------------|-----|
|-----|---------|-------------|-----|

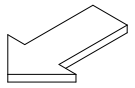
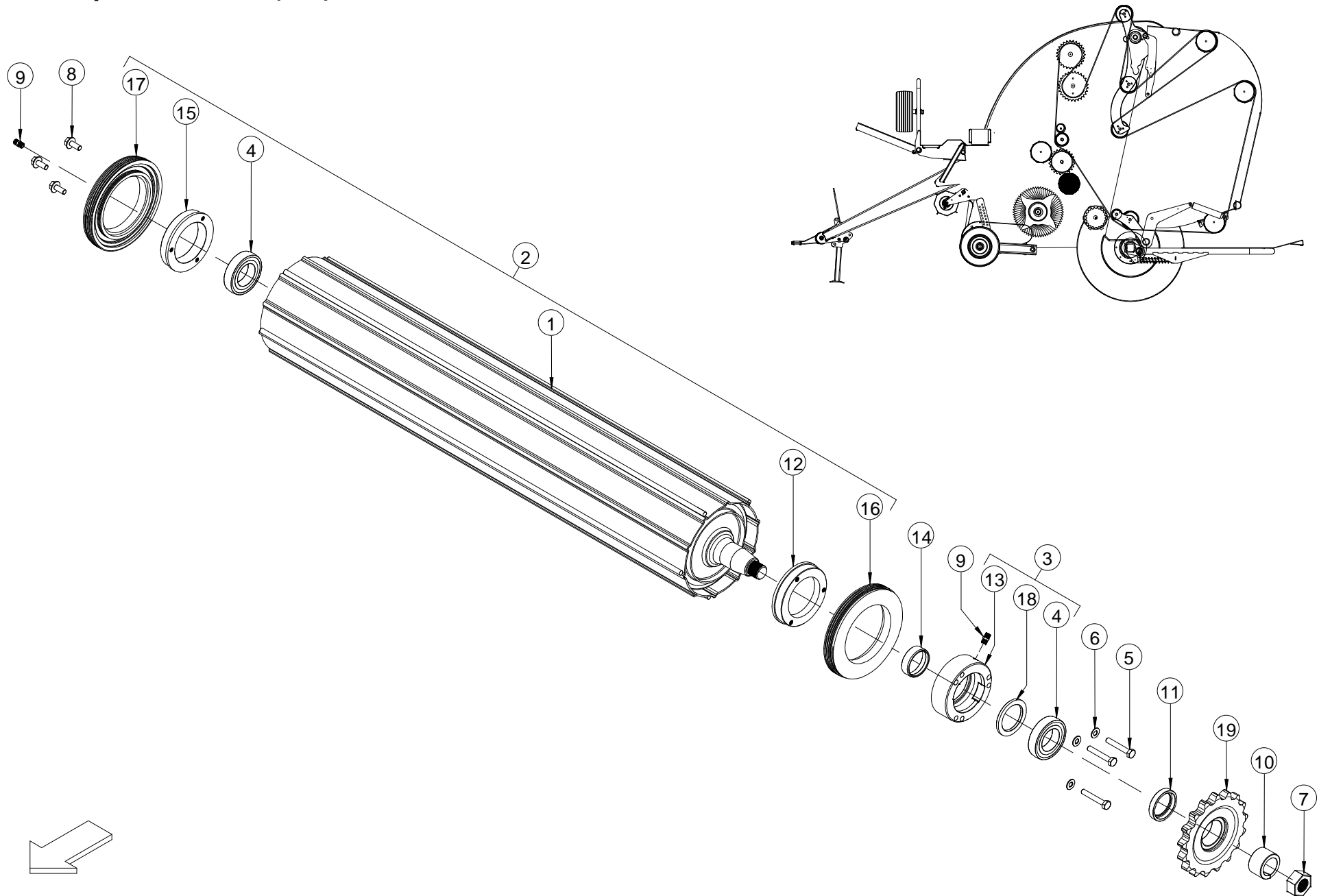
Top pressed roller [from serial no 800350] (770)



| No. | Part No | Description | Qty |
|---|----------|------------------------------------|-----|
| 1 | ALA00479 | NETTER CLUTCH SHAFT ASSY V660 | 1 |
| 2 | ARC00248 | PULLEY 150 A SECTION TAPER LOCK | 1 |
| 3 | ARC00256 | ROLLER C/W FLAT IRON V660 | 1 |
| 4 | ARC00333 | TOP CHAMBER ROLLER COMP V6 | 1 |
| 5 | ART00051 | BEARING ROLLER COMP ASSY | 1 |
| 6 | ART00330 | SPROCKET ASSY DOUBLE BELT BALER | 1 |
| 7 | CBR00060 | BEARING SPHERICAL SKF 2210CC | 1 |
| 8 | CBR00061 | NILOS-RING 6210AV | 1 |
| 9 | CBR00083 | BEARING 1726210-2RS RADIAL | 1 |
| 10 | CEL00259 | SHAFT MOUNTED | 1 |
| 11 | CFA00016 | BOLT M10X35 | 3 |
| 12 | CFA00028 | BOLT M10X65 Z/P | 3 |
| 13 | CFA00052 | SETSCREW M8X20 Z/P | 2 |
| 14 | CFA00132 | NUT M8 NYLOC Z/P | 3 |
| 15 | CFA00133 | NUT M8 Z/P | 1 |
| 16 | CFA00147 | WASHER FLAT 8MM Z/P | 3 |
| 17 | CFA00251 | WASHER SKM10 | 6 |
| 18 | CFA00316 | BOLT M8X30 Z/P | 1 |
| 19 | CFA00401 | NUT M30X2 FINE THREAD | 1 |
| 20 | CFA00386 | NUT M16X1.5 NYLOC FINE THREAD | 2 |
| 21 | CFA00452 | CIRCLIP 95MM INTERNAL | 1 |
| 22 | CFA00549 | GREASE FITTING 6MM X 1/8" M/M | 2 |
| 23 | CFA00559 | GRUBSCREW M10X12 | 1 |
| 24 | CFA00783 | WASHER NL16 NORD-LOCK | 1 |
| 25 | CFA00904 | KEY 10X8X50 | 1 |
| 26 | CFA00905 | M16X350 BOLT SPECIAL NET CLUTCH | 1 |
| 27 | CMH00493 | FLANGE 40 X 170 X 10 | 1 |
| 28 | CMH00508 | BUSH 36X58X47 TAPPER | 1 |
| 29 | CMH00511 | BUSH 90X135X46 BEARING HOUSING | 1 |
| 30 | CMH00696 | FLANGE 90X140X25 MACHINED | 1 |
| 31 | CMH00736 | BUSH 50X68X25 STEPPED 58 | 1 |
| 32 | CMH01187 | FLANGE 90X145X25 3 HOLE | 1 |
| 33 | CMH00445 | BEARING ROLLER SLEEVE 50 ID X14 | 1 |
| <i>UP TO SERIAL NO 801349</i> | | | |
| 33 | CMH01363 | BEARING ROLLER SLEEVE 50 ID X18 | 1 |
| <i>FROM SERIAL NO 801350</i> | | | |
| 34 | CMH02206 | WASHER 16X38X10 STEPPED Z/P | 1 |
| 35 | CMH02451 | CLUTCH SHAFT V660 | 1 |
| 36 | CTP00387 | PULLEY PRESSED STEEL 250MM SPB | 1 |
| <i>REPLACES CMH02452 (PULLEY 224MM)</i> | | | |
| 37 | CPL00052 | NYLON SEAL ROLLER DRIVE SIDE | 1 |
| <i>CPL00052 & CPL00053 SHOULD BE REPLACED AS A PAIR</i> | | | |
| 38 | CPL00053 | NYLON SEAL ROLLER NON DRIVE SIDE | 1 |
| <i>CPL00052 & CPL00053 SHOULD BE REPLACED AS A PAIR</i> | | | |
| 39 | CSE00098 | SEAL RADIAL SHAFT SEAL 35 X 50 X 8 | 1 |
| 40 | CSE00099 | SEAL OIL 58X80X8 | 1 |
| 41 | CZC02063 | 3MM L BEARING RETAINER RING | 1 |
| 42 | CZC03325 | 3MM L CLUTCH TORQUE ARM PART | 1 |

| No. | Part No | Description | Qty |
|-----|---------|-------------|-----|
|-----|---------|-------------|-----|

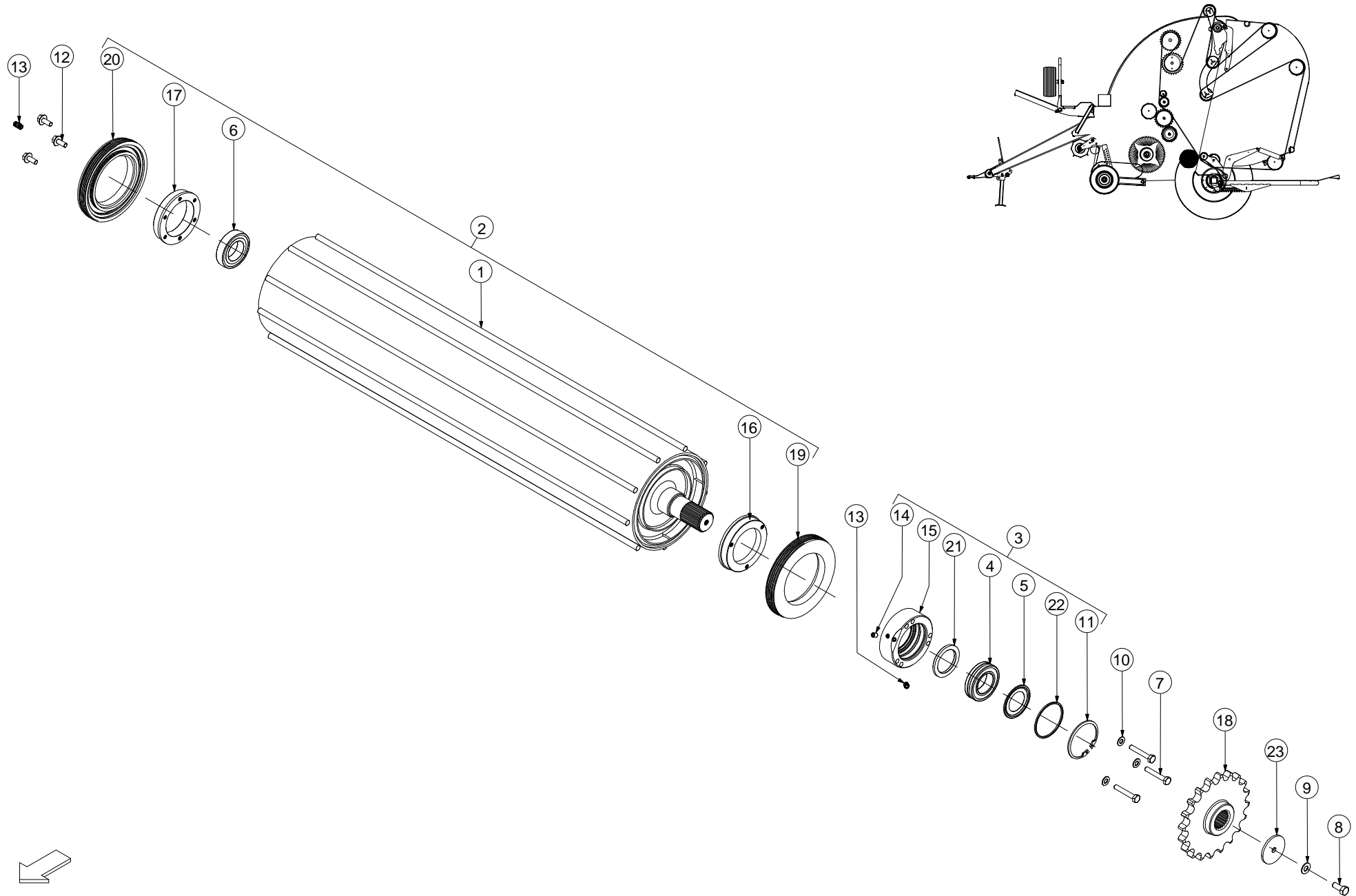
Bottom pressed roller (643)



| No. Part No | Description | Qty |
|---|----------------------------------|-----|
| 1 ARC00338 | ROLLER STD SHAFT HD WITH CLEATS | 1 |
| <i>REPLACES ARC00029</i> | | |
| 2 ARC00344 | HD ROLLER C/W ROD IRON V660 | 1 |
| <i>REPLACES ARC00030</i> | | |
| 3 ART00293 | BEARING HOUSING 1726210 ASY | 1 |
| 4 CBR00083 | BEARING 1726210-2RS RADIAL | 2 |
| 5 CFA00028 | BOLT M10X65 Z/P | 3 |
| 6 CFA00251 | WASHER SKM10 | 3 |
| 7 CFA00401 | NUT M30X2 FINE THREAD | 1 |
| 8 CFA00520 | SETSCREW M10X25 FLANGED ZP | 3 |
| 9 CFA00549 | GREASE FITTING 6MM X 1/8" | 2 |
| 10 CMH00507 | BUSH 39X56X33 TAPPER | 1 |
| 11 CMH00510 | BUSH 50X68X12.5 STEP | 1 |
| 12 CMH00696 | FLANGE 90X140X25 MACHINED | 1 |
| 13 CMH00905 | BUSH 90X135X46 BEARING HOUSING | 1 |
| 14 CMH00906 | BEARING ROLLER SLEEVE 50 IDX21 | 1 |
| 15 CMH01187 | FLANGE 90X145X25 3 HOLE | 1 |
| 16 CPL00052 | NYLON SEAL ROLLER DRIVE SIDE | 1 |
| <i>CPL00052 & CPL00053 SHOULD BE REPLACED AS A PAIR</i> | | |
| 17 CPL00053 | NYLON SEAL ROLLER NON DRIVE SIDE | 1 |
| <i>CPL00052 & CPL00053 SHOULD BE REPLACED AS A PAIR</i> | | |
| 18 CSE00099 | SEAL OIL 58X80X8 | 1 |
| 19 ART00081 | 1 1/4" PITCH 17 T SPROCKET | 1 |

| No. Part No | Description | Qty |
|-------------|-------------|-----|
|-------------|-------------|-----|

Slatted roller (641)



| No. | Part No | Description | Qty |
|---|----------|--|-----|
| 1 | ARC00334 | KIT NO 1 ROLLER ROD V6 SPARE PARTS | 1 |
| <i>UP TO SERIAL NO 800199. THIS KIT INCLUDES ITEMS 18, 19 & 20.</i> | | | |
| 1 | ARC00279 | STARTER ROLLER ASSY V6 | 1 |
| <i>FROM SERIAL NO 800200</i> | | | |
| 2 | ARC00302 | STARTER ROLLER COMP ASSY V6 | 1 |
| <i>FROM SERIAL NO 800200</i> | | | |
| 3 | ART00051 | BEARING ROLLER COMP ASSY | 1 |
| 4 | CBR00060 | BEARING SPHERICAL SKF 2210CC | 1 |
| 5 | CBR00061 | NILOS-RING 6210AV | 1 |
| 6 | CBR00083 | BEARING 1726210-2RS RADIAL | 1 |
| 7 | CFA00028 | BOLT M10X65 Z/P | 3 |
| 8 | CFA00032 | SETSCREW M12X30 Z/P | 1 |
| 9 | CFA00250 | WASHER SKM12 | 1 |
| 10 | CFA00251 | WASHER SKM10 | 3 |
| 11 | CFA00452 | CIRCLIP 95MM INTERNAL | 1 |
| 12 | CFA00520 | SETSCREW M10X25 FLD ZP | 3 |
| 13 | CFA00549 | GREASE FITTING 6MM X 1/8" | 2 |
| 14 | CFA00559 | GRUBSCREW M10X12 | 1 |
| 15 | CMH00511 | BUSH 90X135X46 BEARING HOUSING | 1 |
| 16 | CMH00696 | FLANGE 90X140X25 MACHINED | 1 |
| 17 | CMH00697 | FLANGE 90X145X25 6 HOLE | 1 |
| 18 | CMH00708 | SPROCKET 1 1/4" PITCH 20T | 1 |
| <i>UP TO SERIAL NO 800199</i> | | | |
| 18 | CMH01324 | SPROCKET 1 1/4" PITCH 20T | 1 |
| <i>FROM SERIAL NO 800200</i> | | | |
| 19 | CPL00052 | NYLON SEAL ROLLER DRIVE SIDE | 1 |
| <i>UP TO SERIAL NO 800199</i> | | | |
| 19 | CPL00108 | NYLON SEAL ROLLER DRIVE SIDE LARGE | 1 |
| <i>FROM SERIAL NO 800200</i> | | | |
| 20 | CPL00053 | NYLON SEAL ROLLER NON DRIVE SIDE | 1 |
| <i>UP TO SERIAL NO 800199</i> | | | |
| 20 | CPL00107 | NYLON SEAL ROLLER NON DRIVE SIDE LARGE | 1 |
| <i>FROM SERIAL NO 800200</i> | | | |
| 21 | CSE00099 | SEAL OIL 58X80X8 | 1 |
| 22 | CZC02063 | 3MM L BEARING RETAINER RING | 1 |
| 23 | CZE00115 | BALE SPLITTER WASHER | 1 |

| No. | Part No | Description | Qty |
|-----|---------|-------------|-----|
|-----|---------|-------------|-----|

Lower rear door rollers (867)

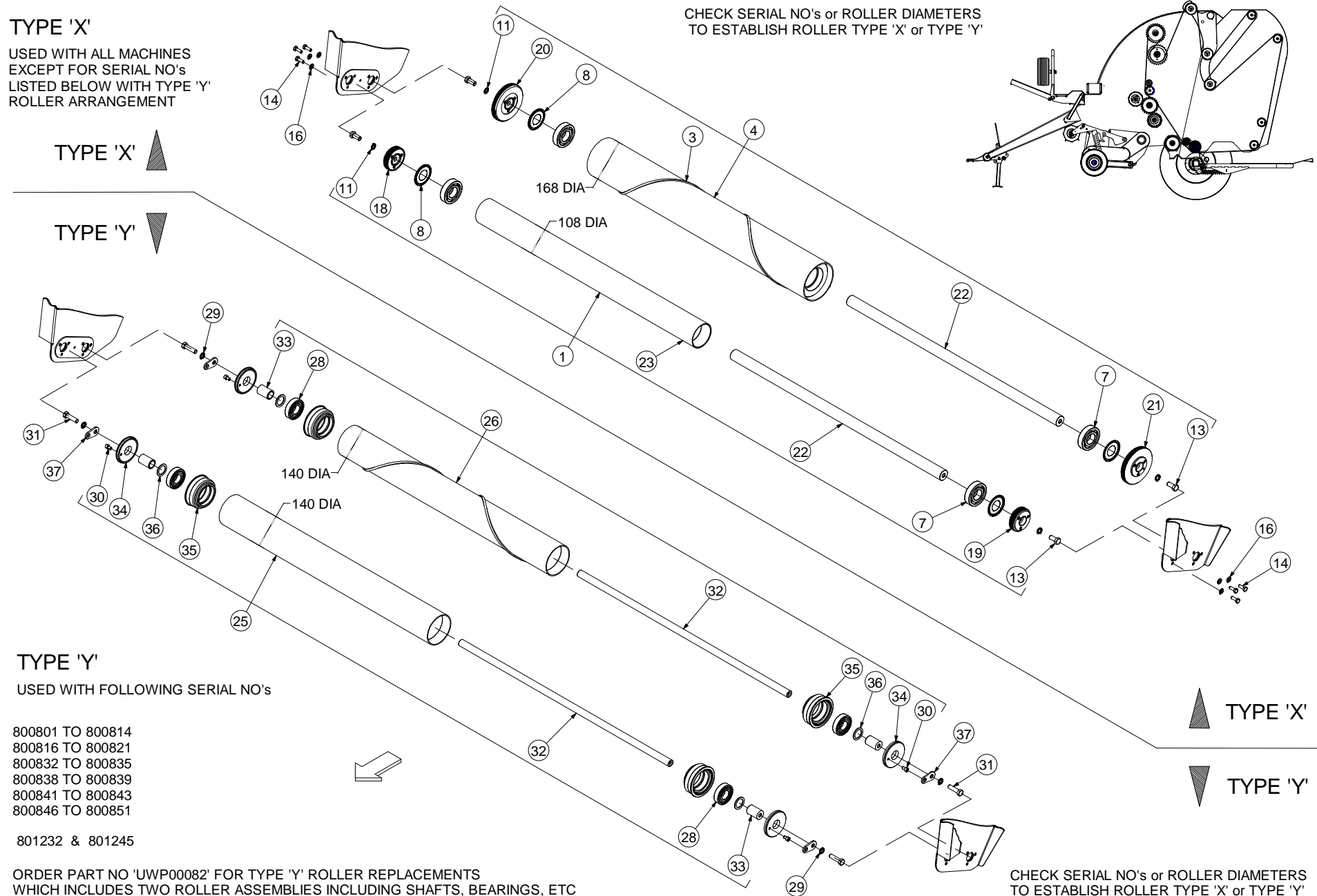
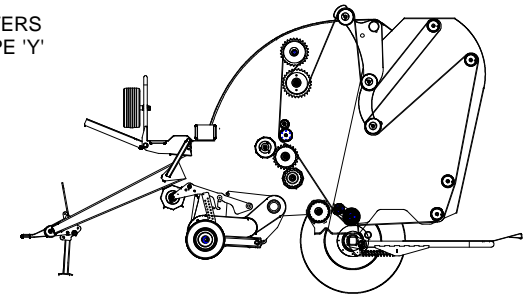
TYPE 'X'

USED WITH ALL MACHINES EXCEPT FOR SERIAL NO's LISTED BELOW WITH TYPE 'Y' ROLLER ARRANGEMENT

TYPE 'X' ▲

TYPE 'Y' ▼

CHECK SERIAL NO's or ROLLER DIAMETERS TO ESTABLISH ROLLER TYPE 'X' or TYPE 'Y'



TYPE 'Y'

USED WITH FOLLOWING SERIAL NO's

- 800801 TO 800814
- 800816 TO 800821
- 800832 TO 800835
- 800838 TO 800839
- 800841 TO 800843
- 800846 TO 800851

801232 & 801245

ORDER PART NO 'UWP00082' FOR TYPE 'Y' ROLLER REPLACEMENTS WHICH INCLUDES TWO ROLLER ASSEMBLIES INCLUDING SHAFTS, BEARINGS, ETC

▲ TYPE 'X'

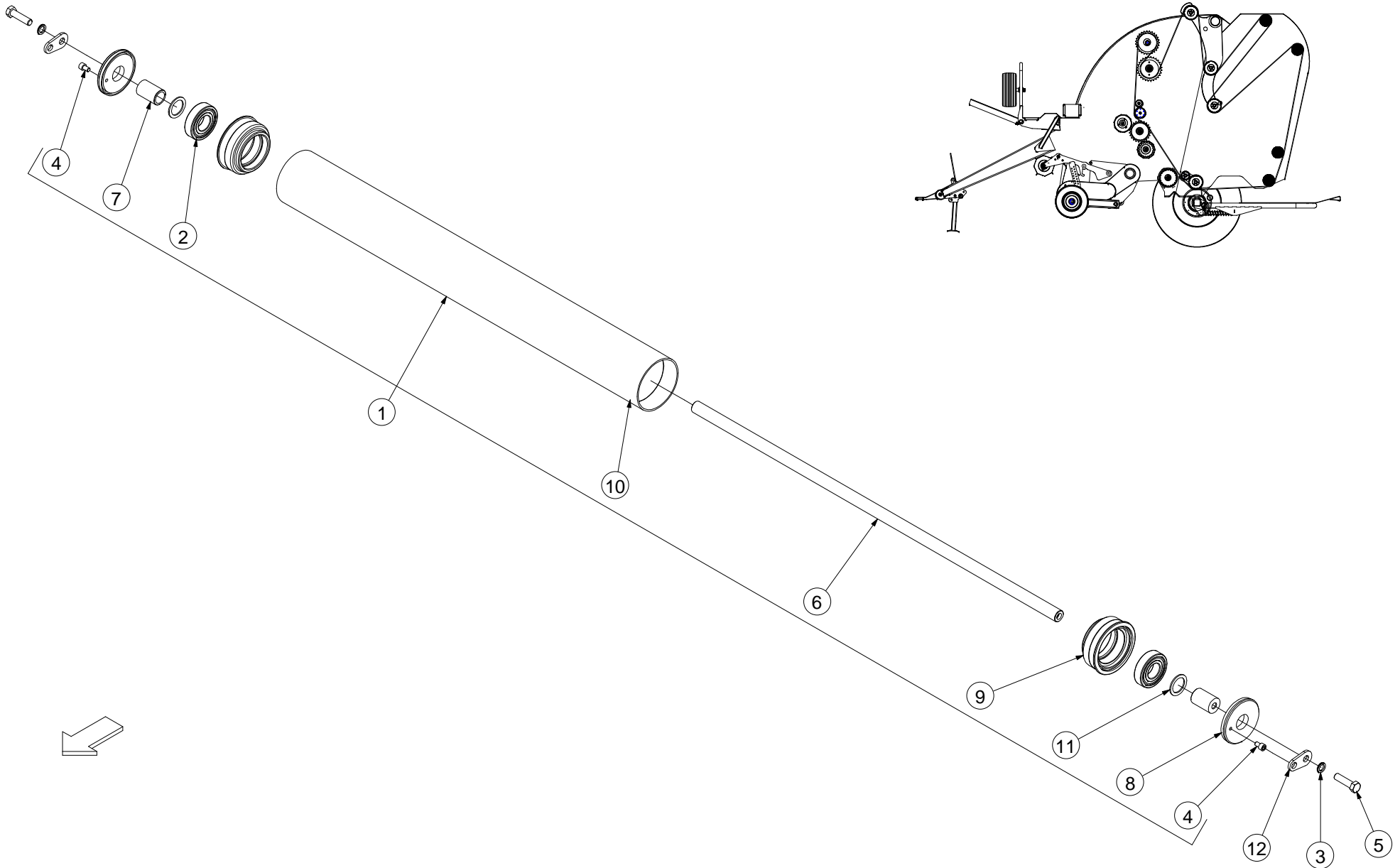
▼ TYPE 'Y'

CHECK SERIAL NO's or ROLLER DIAMETERS TO ESTABLISH ROLLER TYPE 'X' or TYPE 'Y'

| No. | Part No | Description | Qty |
|---|----------|--------------------------------------|-----|
| 1 | ACH02032 | ROLLER ASSY V BALER | 1 |
| <i>INCLUDES ITEMS 7, 8, 11, 13, 18, 19, 22 & 23</i> | | | |
| 3 | ARC00199 | ROLLER WELD ASSY BELT BALER | 1 |
| 4 | ARC00200 | ROLLER COMP ASSY BELT BALER | 1 |
| <i>INCLUDES ITEMS 3, 7, 8, 11, 13, 20, 21 & 22</i> | | | |
| 7 | CBR00253 | BEARING 6309 2RS | 4 |
| 8 | CBR00281 | NILOS RING 6309 AV | 4 |
| 11 | CFA00142 | WASHER SPRING 16MM Z/P | 4 |
| 13 | CFA00229 | SETSCREW M16X35 Z/P | 4 |
| 14 | CFA00230 | SETSCREW M10X30 Z/P | 12 |
| 16 | CFA00798 | WASHER NORDLOCK M10 | 12 |
| 18 | CMH02008 | SEALING DISC V BALER | 1 |
| 19 | CMH02009 | SEALING DISC V BALER | 1 |
| 20 | CMH02014 | SEALING DISC V BALER | 1 |
| <i>SEALING DISC WITH IDENTIFICATION GROOVE</i> | | | |
| 21 | CMH02015 | SEALING DISC V BALER | 1 |
| 22 | CMH02029 | SHAFT VAR BALER | 2 |
| 23 | CXT04006 | TUBE VAR BALER | 1 |
| 25 | UWP00082 | IDLE ROLLER UPGRADE KIT V6/VARIO | 1 |
| <i>INCLUDES TWO ROLLER ASSEMBLIES WITH SHAFTS, BEARINGS ETC</i> | | | |
| 26 | UWP00082 | IDLE ROLLER UPGRADE KIT V6/VARIO | 1 |
| <i>INCLUDES TWO ROLLER ASSEMBLIES WITH SHAFTS, BEARINGS ETC</i> | | | |
| 28 | CBR00286 | 6308 2RS BEARING | 4 |
| <i>USED ONLY ON TYPE Y ROLLERS (CHECK SERIAL NO)</i> | | | |
| 29 | CFA00783 | WASHER NL16 NORD-LOCK | 4 |
| <i>USED ONLY ON TYPE Y ROLLERS (CHECK SERIAL NO)</i> | | | |
| 30 | CFA00951 | SETSCREW M10X16 SOC CAP Z/P | 4 |
| <i>USED ONLY ON TYPE Y ROLLERS (CHECK SERIAL NO)</i> | | | |
| 31 | CFA02290 | BOLT M16 X 60 Z/P DIN 931 GRADE 12.9 | 4 |
| <i>USED ONLY ON TYPE Y ROLLERS (CHECK SERIAL NO)</i> | | | |
| 32 | UWP00082 | IDLE ROLLER UPGRADE KIT V6/VARIO | 1 |
| <i>INCLUDES TWO ROLLER ASSEMBLIES WITH SHAFTS, BEARINGS ETC</i> | | | |
| 33 | CMH02519 | IDLE ROLLER INSERT 40X45 | 4 |
| <i>USED ONLY ON TYPE Y ROLLERS (CHECK SERIAL NO)</i> | | | |
| 34 | CPL00120 | ROLLER END CAP PLASTIC | 4 |
| <i>USED ONLY ON TYPE Y ROLLERS (CHECK SERIAL NO)</i> | | | |
| 35 | CTP00115 | BEARING HOUSING ROLLER END | 4 |
| <i>USED ONLY ON TYPE Y ROLLERS (CHECK SERIAL NO)</i> | | | |
| 36 | CZC04620 | WASHER 40X55X3 V6 IDLE ROLLER | 4 |
| <i>USED ONLY ON TYPE Y ROLLERS (CHECK SERIAL NO)</i> | | | |
| 37 | CZF06296 | 6MM L WASHER 17X40 V6 | 4 |
| <i>USED ONLY ON TYPE Y ROLLERS (CHECK SERIAL NO)</i> | | | |

| No. | Part No | Description | Qty |
|-----|---------|-------------|-----|
|-----|---------|-------------|-----|

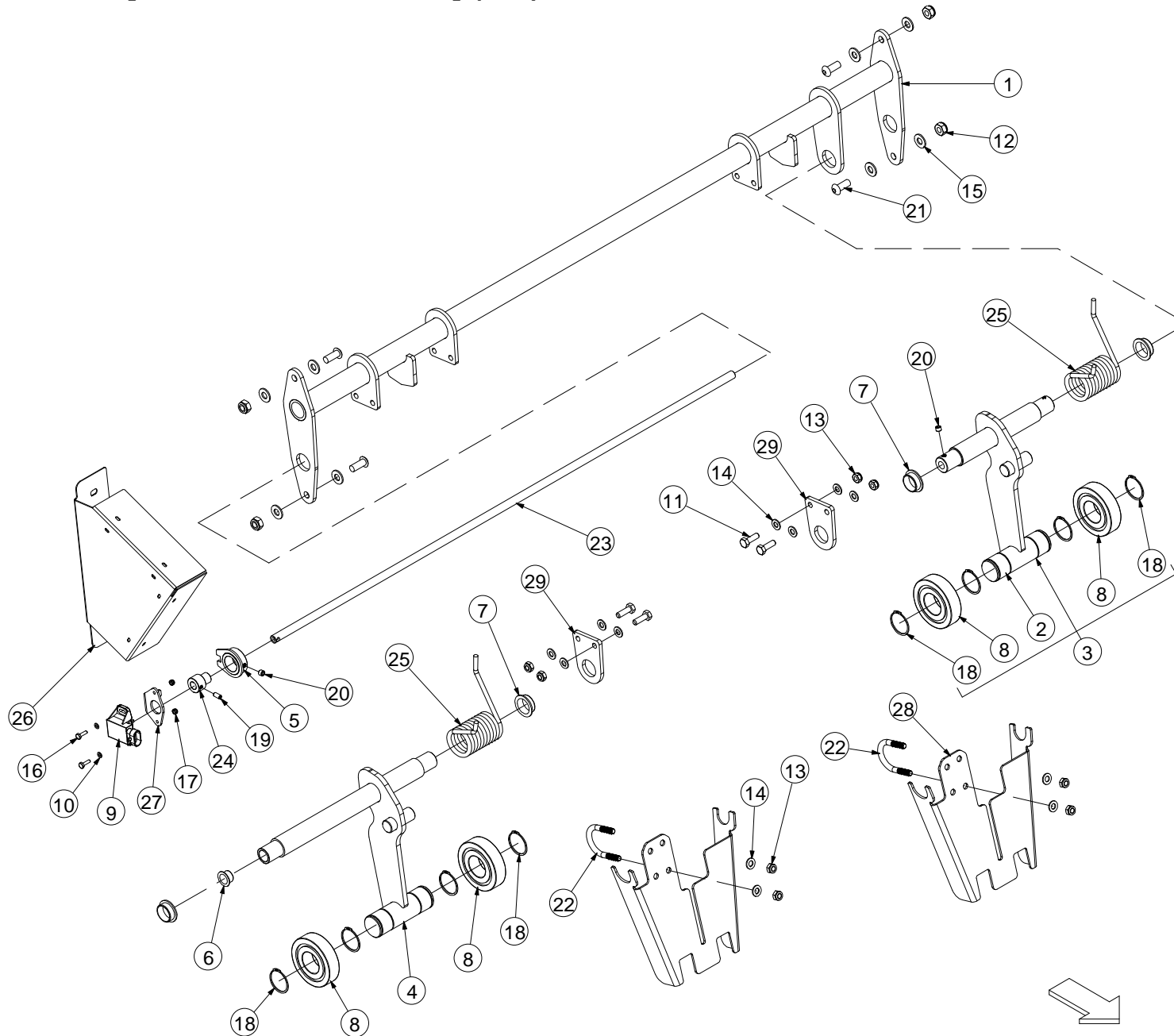
Rear door rollers (859)



| No. | Part No | Description | Qty |
|---|----------|--------------------------------------|-----|
| 1 | ART00339 | ROLLER BELT BALER. | 1 |
| <i>INCLUDES ITEMS 2, 4, 6, 7, 8, 9, 10 & 11</i> | | | |
| 2 | CBR00286 | 6308 2RS BEARING | 2 |
| 3 | CFA00783 | WASHER NL16 NORD-LOCK | 2 |
| 4 | CFA00951 | SETSCREW M10X16 SOC CAP Z/P | 2 |
| 5 | CFA02290 | BOLT M16 X 60 Z/P DIN 931 GRADE 12.9 | 2 |
| 6 | CMH01264 | SHAFT 30X1234. | 1 |
| 7 | CMH02519 | IDLE ROLLER INSERT 40X45 | 2 |
| 8 | CPL00120 | ROLLER BELT BALER. | 2 |
| 9 | CTP00115 | BEARING HOUSING ROLLER END | 2 |
| 10 | CXT00550 | TUBE 139.7X5.0X1224 ST-52 | 1 |
| 11 | CZC04620 | WASHER 40X55X3 V6 IDLE ROLLER | 2 |
| 12 | CZF06296 | 6MM L WASHER 17X40 V6 | 2 |

| No. | Part No | Description | Qty |
|-----|---------|-------------|-----|
|-----|---------|-------------|-----|

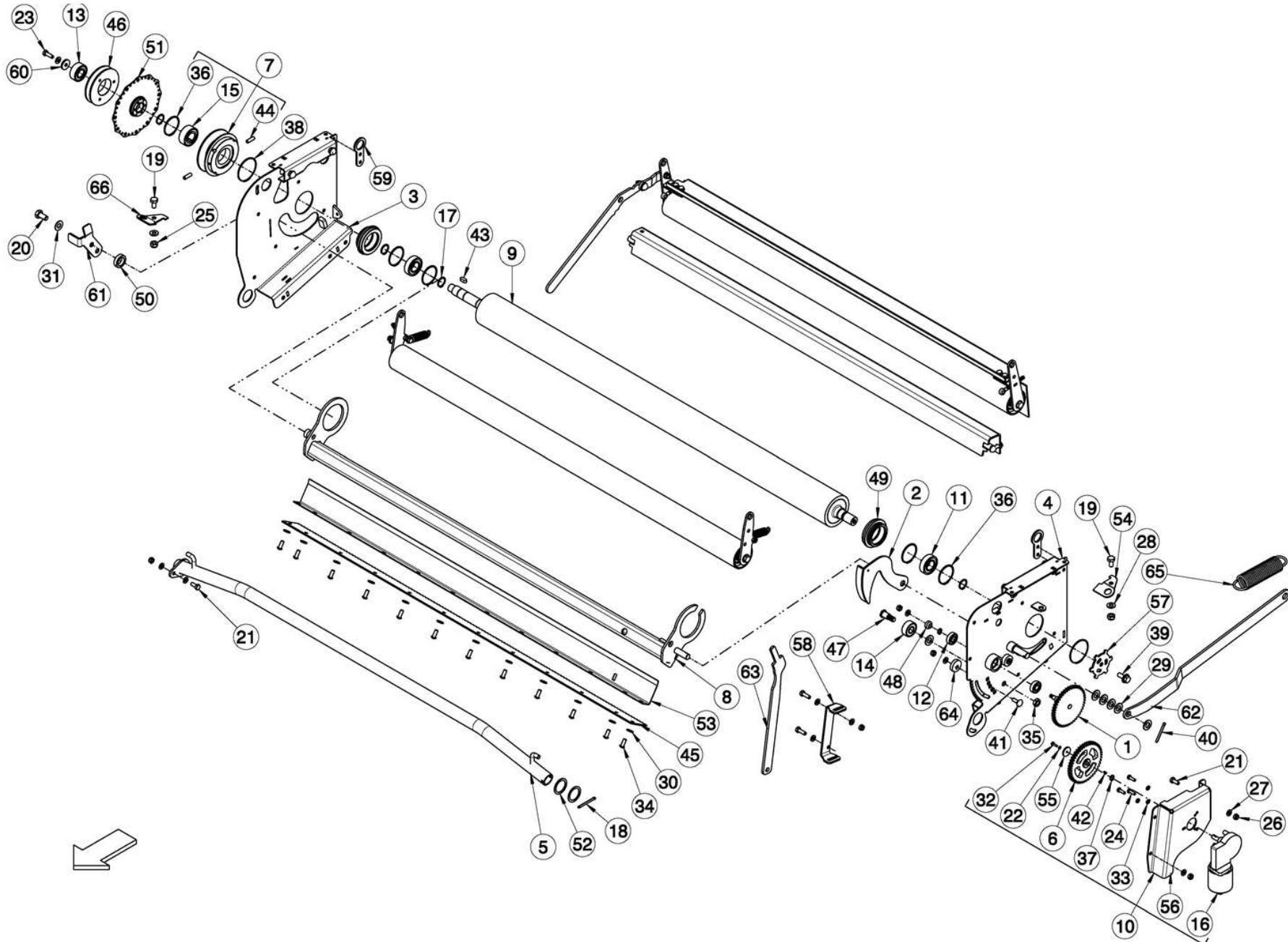
Bale shape indicator [From serial no 801350] (865)



| No. | Part No | Description | Qty |
|-------------------------------------|----------|---------------------------------------|-----|
| 1 | ACH01061 | BALE INDICATOR CROSS BEAM ASSY | 1 |
| 2 | ACH02545 | BFI ARM WELD ASSY V6 | 1 |
| 3 | ACH02546 | BFI AXLE V6 | 1 |
| <i>INCLUDES ITEMS 2, 8 & 18</i> | | | |
| 4 | ACH02626 | BFI ARM WELD ASSY V6 | 1 |
| 5 | ACH02628 | POT REFERENCE BRACKET BFI | 1 |
| 6 | CBR00118 | BEARING STEPPED PLAS 16X18X12 | 1 |
| 7 | CBR00269 | BEARING 25X28X11 STEPPED PLAS | 4 |
| 8 | CBR00294 | BEARING 6307 2RS | 4 |
| 9 | CEL00785 | ANGLE SENSOR, 120 DEGREE, 0.5-4.5VOLT | 1 |
| 10 | CFA00083 | WASHER FLAT 4MM Z/P | 2 |
| 11 | CFA00102 | SETSCREW M8X25 Z/P | 4 |
| 12 | CFA00123 | NUT M10 NYLOC | 4 |
| 13 | CFA00132 | NUT M8 NYLOC Z/P | 8 |
| 14 | CFA00147 | WASHER FLAT 8MM Z/P | 12 |
| 15 | CFA00201 | WASHER FLAT 10 MM Z/P | 8 |
| 16 | CFA00391 | SETSCREW M4X16 Z/P | 2 |
| 17 | CFA00392 | NUT M4 NYLOC | 2 |
| 18 | CFA00514 | CIRCLIP 35MM EXTERNAL | 8 |
| 19 | CFA00563 | GRUBSCREW M6X12 DIN916 Z/P | 1 |
| 20 | CFA00613 | GRUBSCREW M8X6 | 2 |
| 21 | CFA00745 | SETSCREW M10X25 BUTTON HEAD ZP | 4 |
| 22 | CFA00943 | U-BOLT 33.7 TUBE | 2 |
| 23 | CMH01525 | PIN 12X965 | 1 |
| 24 | CMH01526 | BUSH 12X24X30 | 1 |
| 25 | CSG00227 | SPRING TOR 6.35 WDX43 O.D X 10.8 | 2 |
| 26 | CZB02494 | 1.5MM L BALE SHAPE SENSOR COVER | 1 |
| 27 | CZC02547 | 3MM ANGLE SENSOR PRT BALE SHAPE | 1 |
| 28 | CZC02552 | 3MM L BELT DEFLECTOR V6 | 2 |
| 29 | CZF05339 | 6MM L BALE SHAPE INDICATOR PART | 2 |

| No. | Part No | Description | Qty |
|-----|---------|-------------|-----|
|-----|---------|-------------|-----|

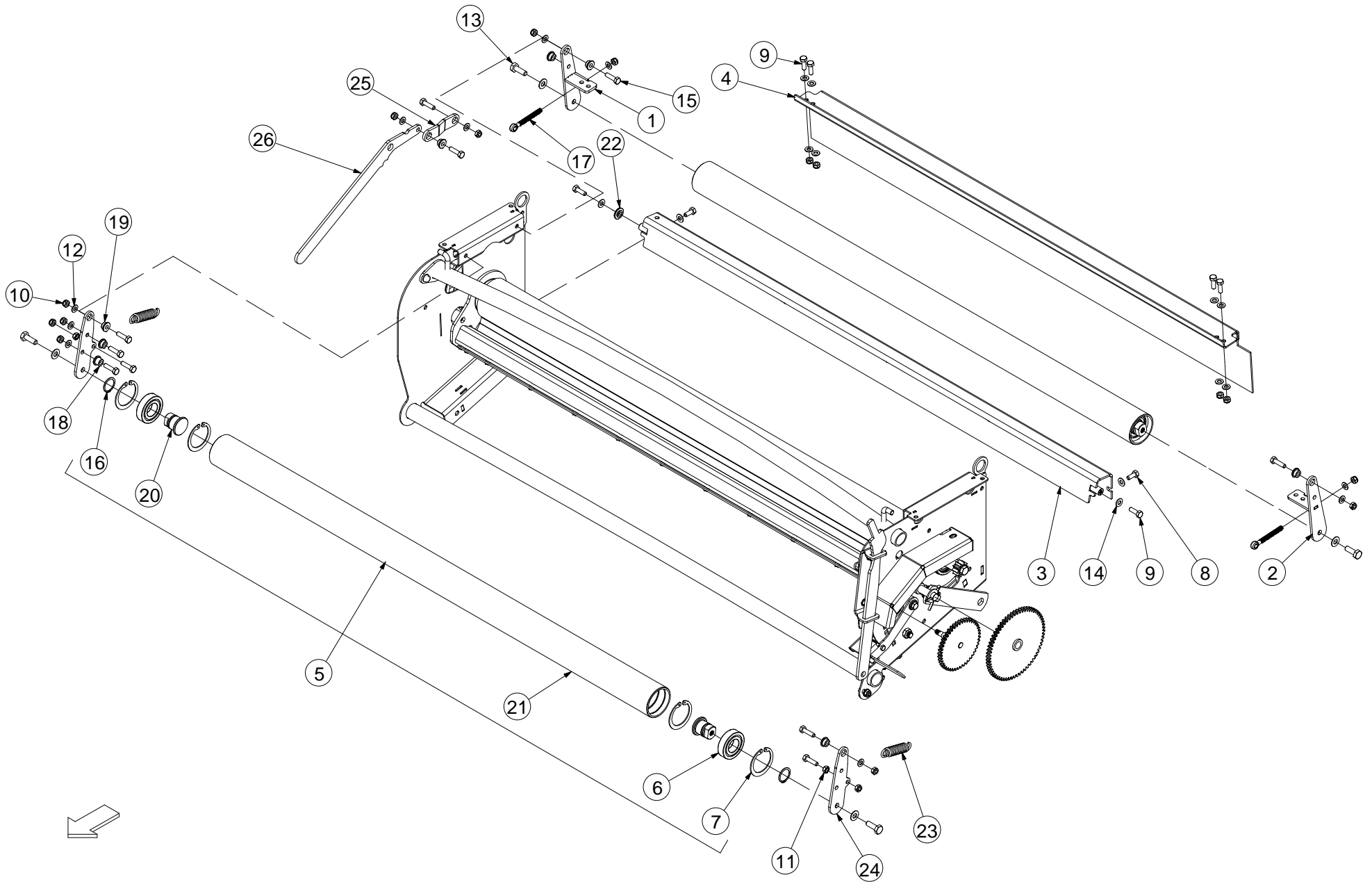
Netter 1 (855)



| No. | Part No | Description | Qty |
|--|----------|------------------------------------|-----|
| 1 | ACH00279 | PLATEWHEEL ASSY. NET UNIT | 1 |
| 2 | ACH00369 | NET RELEASE UNIT ASSY. | 1 |
| 3 | ADP00259 | NET STRETCH UNIT WELD RIGHT | 1 |
| 4 | ADP00260 | NET STRETCH UNIT WELD LEFT | 1 |
| 5 | ADP00261 | SPREADER BAR ASSY NET UNIT | 1 |
| 6 | ALA00290 | SPROCKET ASSY F560 NET MOTOR | 1 |
| 7 | ANT00002 | PULLEY VARIABLE ASSEMBLY | 1 |
| <i>INCLUDES ITEMS 15, 36 & 44</i> | | | |
| 8 | ANT00070 | NET KNIFE WELD ASSEM V6 / VARIO | 1 |
| 9 | ARC00267 | 1300MM DRIVE ROLLER NET UNIT | 1 |
| 10 | ARC00273 | NET KNIFE TRIP MOTOR ASSY | 1 |
| <i>INCLUDES ITEMS 6, 16, 22, 24, 32, 33, 37, 42, 55 & 56</i> | | | |
| 11 | CBR00009 | BEARING 6205 2RS | 2 |
| 12 | CBR00067 | BEARING 6201 | 2 |
| 13 | CBR00084 | BEARING SEALED SPRAG CLUTCH | 1 |
| 14 | CBR00081 | BEARING CAM INA LR 5202 NPPU | 1 |
| <i>REPLACES CBR00273</i> | | | |
| 15 | CBR00297 | 25MM SPRAG TYPE OVERRUNNING CLUTCH | 1 |
| 16 | CEL00648 | MOTOR NET UNIT F560 | 1 |
| 17 | CFA00001 | CIRCLIP 25MM EXTERNAL Z/P | 4 |
| 18 | CFA00013 | SPLIT PIN 5X50 Z/P | 1 |
| 19 | CFA00018 | SETSCREW M10X20 | 2 |
| 20 | CFA00031 | SETSCREW M12X25 Z/P | 1 |
| 21 | CFA00052 | SETSCREW M8X20 Z/P | 4 |
| 22 | CFA00083 | WASHER FLAT 4MM Z/P | 1 |
| 23 | CFA00102 | SETSCREW M8X25 Z/P | 9 |
| 24 | CFA00115 | SETSCREW M6X20 Z/P | 3 |
| 25 | CFA00123 | NUT M10 NYLOC | 2 |
| 26 | CFA00132 | NUT M8 NYLOC Z/P | 20 |
| 27 | CFA00147 | WASHER FLAT 8MM Z/P | 30 |
| 28 | CFA00201 | WASHER FLAT 10 MM Z/P | 2 |
| 29 | CFA00222 | WASHER FLAT 14MM Z/P | 6 |
| 30 | CFA00249 | WASHER SKM8 | 17 |
| 31 | CFA00250 | WASHER SKM12 | 1 |
| 32 | CFA00391 | SETSCREW M4X16 Z/P | 1 |
| 33 | CFA00396 | WASHER SPRING M6 Z/P | 3 |
| 34 | CFA00429 | SETSCREW M8X20 BUTTON HEAD Z/P | 12 |
| 35 | CFA00446 | NUT M12 HEXAGON LOCK/HALF NUT | 1 |
| 36 | CFA00461 | CIRCLIP 52MM INTERNAL | 5 |
| 37 | CFA00499 | CIRCLIP 10MM EXTERNAL | 2 |
| 38 | CFA00501 | CIRCLIP 65MM EXTERNAL | 2 |
| 39 | CFA00520 | SETSCREW M10X25 FLD ZP | 1 |
| 40 | CFA00556 | SPLIT PIN 6X50 Z/P | 1 |
| 41 | CFA00591 | BOLT M8X25 CUP SQ Z/P | 1 |
| 42 | CFA00789 | KEY WOODRUFF 3 X 3.7 | 1 |
| 43 | CFA00157 | KEY 8 X 7 X 35 | 1 |
| <i>USE KEY 8X7X20 (CFA00883) PRIOR TO SERIAL No 801989 WITH CTP00390</i> | | | |
| 44 | CFA01031 | GRUBSCREW M10X25 Z/P | 1 |
| <i>USE 2x M8X25 GRUBSCREWS (CFA00918) PRIOR TO SERIAL No 801989</i> | | | |
| 45 | CKN00024 | NET KNIFE 1300mm (NEW TYPE) | 1 |

| No. | Part No | Description | Qty |
|--|----------|---------------------------------------|-----|
| 46 | CMH00596 | V BELT PULLEY WHEEL | 1 |
| <i>USED ON V6 SERIES MACHINES ONLY</i> | | | |
| 46 | CTP00449 | SPA BELT PULLEY PRESSED STEEL 160MM | 1 |
| <i>USED ON FUSION VARIO MACHINES ONLY</i> | | | |
| 47 | CMH00672 | BOLT SHOULDER 3/4" H | 1 |
| 48 | CMH00705 | BUSH 10X25X10 NYLON | 1 |
| 49 | CMH00786 | BUSH 52X80X25 STEPPED&CIRCLIP | 2 |
| <i>REPLACED BY ANT00079 (BEARING ITEM 11 INCLUDED IN MOULDED ASSEMBLY)</i> | | | |
| 50 | CMH01555 | BUSH 23X35X10 Z/P NET KNIFE V6 | 1 |
| 51 | CTP00390 | 25MM TAPER LOCK BRAKE DISC | 1 |
| <i>UP TO SERIAL No 801988 (USE KEY 8X7X20 - CFA00883)</i> | | | |
| 51 | ANT00091 | DISK BRAKE NETTER UNIT C/W KEYWAY | 1 |
| <i>FROM SERIAL No 801989 (USE KEY 8X7X35 - CFA00157)</i> | | | |
| 52 | CZB01001 | 1.5MM L SHIM 35X45X1.5 | 2 |
| 53 | CZB02403 | 1.5MM L KNIFE GUARD NET UNIT | 1 |
| 54 | CZC02557 | 3MM SENSOR BRACKET VARIO | 1 |
| 55 | CZC03292 | 3MM L SPROCKET RETAINER WASHER Z/P | 1 |
| 56 | CZC03455 | 3MM L MOTOR BRACKET PART | 1 |
| 57 | CZD02669 | 4MM L SENSOR WHEEL NET UNIT | 1 |
| 58 | CZD02676 | 4MM L RESET LEVER BRACKET | 1 |
| 59 | CZD02677 | 4MM L NET COVER HINGE PART | 2 |
| 60 | CZD02678 | 4MM L WASHER PART NET UNIT | 1 |
| 61 | CZD04796 | 4MM L SENSOR BRACKET KNIFE | 1 |
| 62 | CZF05718 | 6MM L KNIFE RESET ARM | 1 |
| 63 | CZF05721 | 6MM L KNIFE RESET HANDLE PART | 1 |
| 64 | CZG02073 | 8MM L NET UNIT PART | 1 |
| 65 | CSG00226 | SPRING EXT 4.47X37.5X176X26 | 1 |
| 66 | CZC04871 | 3MM L NET CUT SENSOR BRACKET V6/VARIO | 1 |

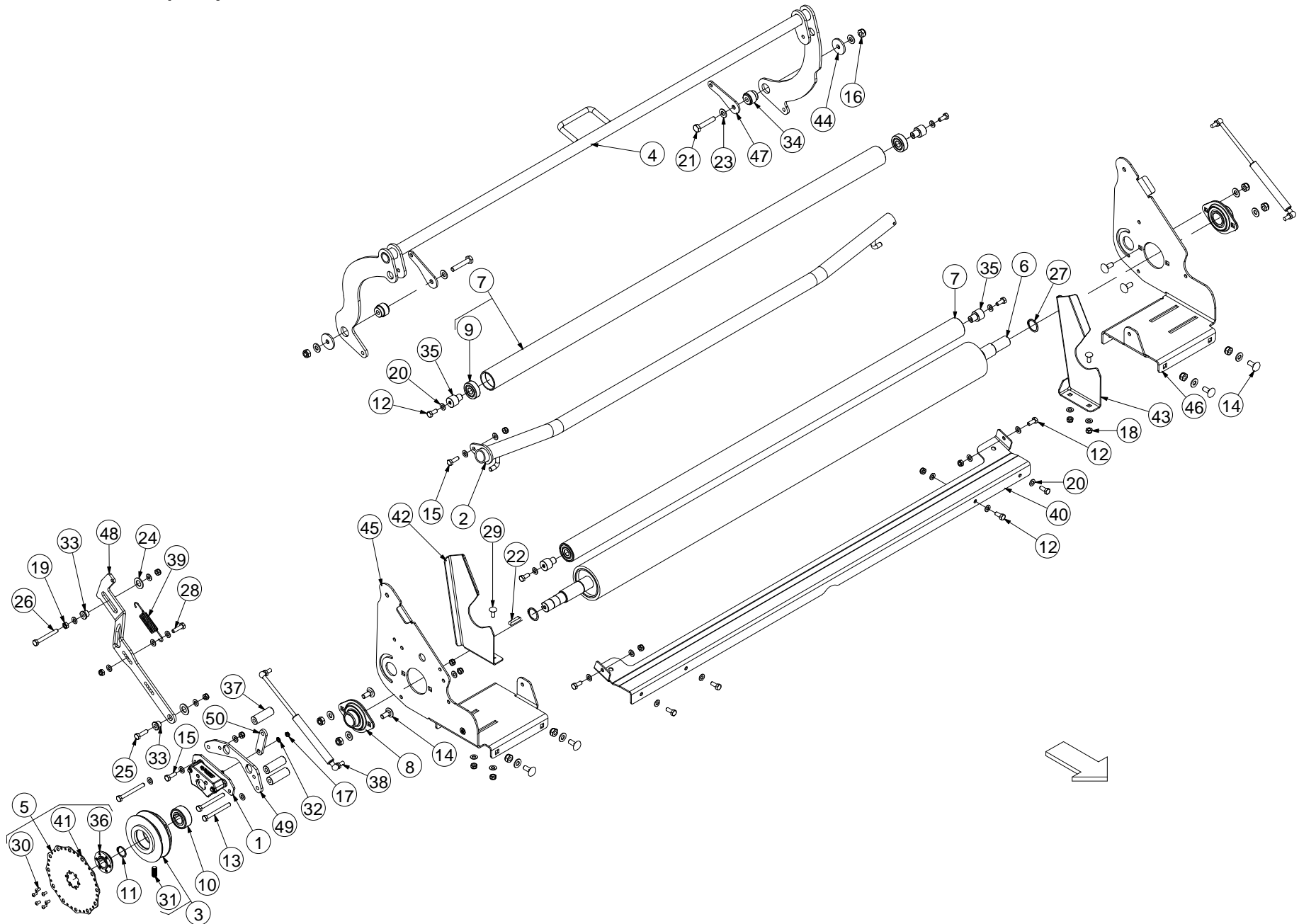
Netter 2 (738)



| No. | Part No | Description | Qty |
|-----|----------|---------------------------------|-----|
| 1 | ACH01132 | ROLLER HINGE ASSY RIGHT | 1 |
| 2 | ACH01133 | ROLLER HINGE ASSY LEFT | 1 |
| 3 | ACH01157 | KNIFE GUARD STRETCH NETTER | 1 |
| 4 | ACH01163 | NETTER ROLLER COVER ASSY | 1 |
| 5 | ARC00270 | ROLLER NET UNIT BACK | 2 |
| 6 | CBR00024 | BEARING 62062RS | 4 |
| 7 | CFA00002 | CIRCLIP INTERNAL 25X1.2 DIN 472 | 8 |
| 8 | CFA00052 | SETSCREW M8X20 Z/P | 7 |
| 9 | CFA00102 | SETSCREW M8X25 Z/P | 7 |
| 10 | CFA00132 | NUT M8 NYLOC Z/P | 21 |
| 11 | CFA00133 | NUT M8 Z/P | 2 |
| 12 | CFA00147 | WASHER FLAT 8MM Z/P | 28 |
| 13 | CFA00230 | SETSCREW M10X30 Z/P | 4 |
| 14 | CFA00249 | WASHER SKM8 | 6 |
| 15 | CFA00316 | BOLT M8X30 Z/P | 10 |
| 16 | CFA00402 | CIRCLIP 30MM EXTERNAL | 4 |
| 17 | CFA00887 | EYE BOLT M8X80 | 2 |
| 18 | CMH00742 | BUSH 8X20X13 ZINC PLATED | 1 |
| 19 | CMH00871 | BUSH 8X20X7 ZP | 7 |
| 20 | CMH01253 | SHAFT STUB FOR ARC00205 | 4 |
| 21 | CMH01409 | ROLLER NET UNIT 70X61X1285 | 2 |
| 22 | CMH01461 | BUSH 8X25X5 ZP | 1 |
| 23 | CSG00231 | SPRING EXT 3.66X20X80X15 B/C | 2 |
| 24 | CZE00222 | ROLLER ASSY NET STRETCH | 2 |
| 25 | CZF05719 | 6MM L LINK ARM NET STRETCH | 1 |
| 26 | CZF05720 | 6MM L LEVER ARM NET UNIT | 1 |

| No. | Part No | Description | Qty |
|-----|---------|-------------|-----|
|-----|---------|-------------|-----|

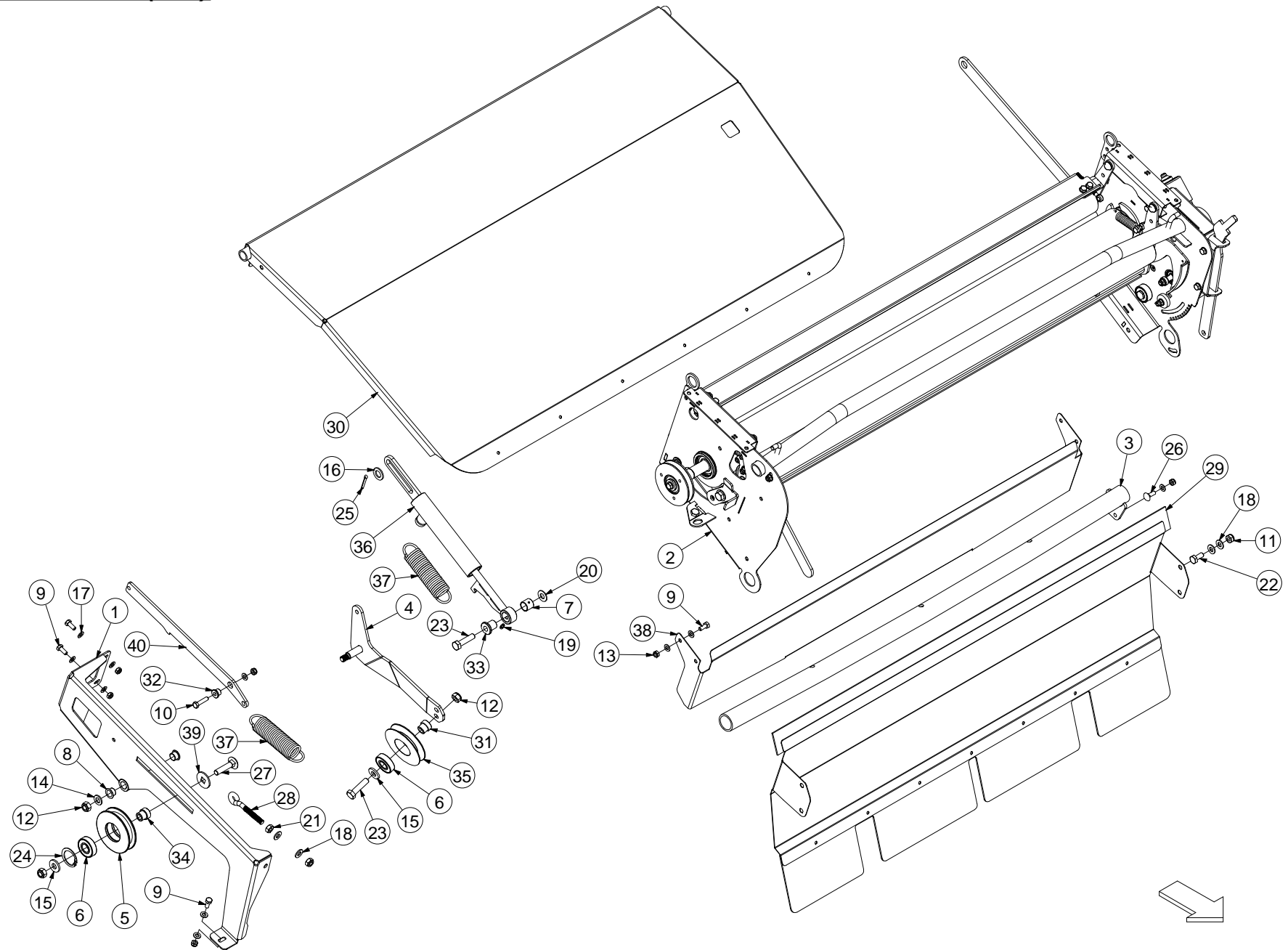
Net tensioner 1 (928)



| No. | Part No | Description | Qty |
|--|----------|--------------------------------------|-----|
| 0 | ANT00078 | NET STRETCH UNIT COMP VARIO | 1 |
| <i>INCLUDES ITEMS 1 THROUGH 50</i> | | | |
| 1 | ABS00158 | BRAKE CALIPER 345212030000L | 1 |
| 2 | ADP00261 | SPREADER BAR ASSY NET UNIT | 1 |
| 3 | ANT00001 | PULLEY VARIABLE POWER STRETCH NETTER | 1 |
| <i>INCLUDES ITEM 31</i> | | | |
| 4 | ANT00024 | BRAKE ARM WELD ASSY V6 | 1 |
| 5 | CTP00390 | 25MM TAPER LOCK BRAKE DISC | 1 |
| <i>UP TO SERIAL No 900069 (USE KEY 8X7X20 CFA00883) INCLUDES ITEMS 30, 36 & 41</i> | | | |
| 5 | ANT00091 | DISK BRAKE NETTER UNIT C/W KEYWAY | 1 |
| <i>FROM SERIAL No 900070 (USE KEY 8X7X35 CFA00157) INCLUDES ITEMS 30, 36 & 41</i> | | | |
| 6 | ARC00345 | NETBOX ROLLER WELD ASSY VARIO | 1 |
| 7 | ARC00347 | IDLER ROLLER ASSY VARIO | 2 |
| <i>INCLUDES BEARINGS (ITEM 9)</i> | | | |
| 8 | CBR00072 | BEARING INA 2 BOLT RAE 30 NPPB | 2 |
| 9 | CBR00283 | BEARING 6302 2RS | 4 |
| 10 | CBR00297 | 25MM SPRAG TYPE OVERRUNNING CLUTCH | 1 |
| 11 | CFA00001 | CIRCLIP 25MM EXTERNAL Z/P | 1 |
| 12 | CFA00052 | SETSCREW M8X20 Z/P | 10 |
| 13 | CFA00057 | SETSCREW M8X80 Z/P | 3 |
| 14 | CFA00068 | BOLT M10X25 CUP SQ. Z/P | 8 |
| 15 | CFA00102 | SETSCREW M8X25 Z/P | 2 |
| 16 | CFA00123 | NUT M10 NYLOC | 10 |
| 17 | CFA00131 | NUT M6 NYLOC | 1 |
| 18 | CFA00132 | NUT M8 NYLOC Z/P | 18 |
| 19 | CFA00133 | NUT M8 Z/P | 2 |
| 20 | CFA00147 | WASHER FLAT 8MM Z/P | 35 |
| 21 | CFA00156 | BOLT M10X55 | 2 |
| 22 | CFA00883 | KEY 8X7X20 | 1 |
| <i>UP TO SERIAL No 900069</i> | | | |
| 22 | CFA00157 | KEY 8 X 7 X 35 | 1 |
| <i>FROM SERIAL No 900070</i> | | | |
| 23 | CFA00201 | WASHER FLAT 10 MM Z/P | 12 |
| 24 | CFA00222 | WASHER FLAT 14MM Z/P | 2 |
| 25 | CFA00316 | BOLT M8X30 Z/P | 1 |
| 26 | CFA00342 | SETSCREW M8X70 Z/P | 1 |
| 27 | CFA00402 | CIRCLIP 30MM EXTERNAL | 2 |
| 28 | CFA00491 | SETSCREW M8X30 Z/P | 1 |
| 29 | CFA00506 | SETSCREW M8X20 CUPHEAD SQ ZP | 4 |
| 30 | CFA00983 | SETSCREW M5X10 BUTTON HEAD Z/P | 6 |
| 31 | CFA01031 | GRUBSCREW M10X25 Z/P | 1 |
| 32 | CFA02231 | WASHER SERRATED 6MM | 1 |
| 33 | CMH00742 | BUSH 8X20X13 ZINC PLATED | 2 |
| 34 | CMH01212 | BUSH 10.5X30X36 STEPPED 25 | 2 |
| 35 | CMH01385 | BUSH 25X35 STEPPED 15 | 4 |
| 36 | CMH01512 | BUSH 25MM TAPER LOCK BRAKE DISC | 1 |
| <i>UP TO SERIAL No 900069</i> | | | |
| 36a | CMH01513 | SLEEVE 25MM TAPER LOCK BRAKE | 1 |
| <i>UP TO SERIAL No 900069</i> | | | |
| 36 | CMH01604 | BUSH KEY FOR DISK BRAKE NETTER | 1 |
| <i>FROM SERIAL No 900070</i> | | | |

| No. | Part No | Description | Qty |
|-----|----------|-----------------------------|-----|
| 37 | CMH02568 | 57X20MM SPACER BUSH | 3 |
| 38 | CRA00262 | GAS STRUT 8X18X95 500NM | 2 |
| 39 | CSG00034 | SPRING EXT 2.34X18.5X110X22 | 1 |
| 40 | CZC02607 | 3MM NET STRETCH PART VARIO | 1 |
| 41 | CZC04724 | 1.8MM NETTER BRAKE DISC | 1 |
| 42 | CZC04752 | 3MM L NET ROLL STOP VARIO | 1 |
| 43 | CZC04754 | 3MM L NET ROLL STOP VARIO | 1 |
| 44 | CZD00118 | 4MM L CUT& TIE SPACER | 2 |
| 45 | CZD02928 | 4MM NET STRETCH PART VARIO | 1 |
| 46 | CZD02929 | 4MM NET STRETCH PART VARIO | 1 |
| 47 | CZD02930 | 4MM NET STRETCH PART VARIO | 2 |
| 48 | CZF06523 | 6MM L BRAKE LEVER ARM | 1 |
| 49 | CZF06524 | 6MM L BRAKE MOUNTING PLATE | 1 |
| 50 | CZF06581 | 6MM L BRAKE LEVER ARM | 1 |

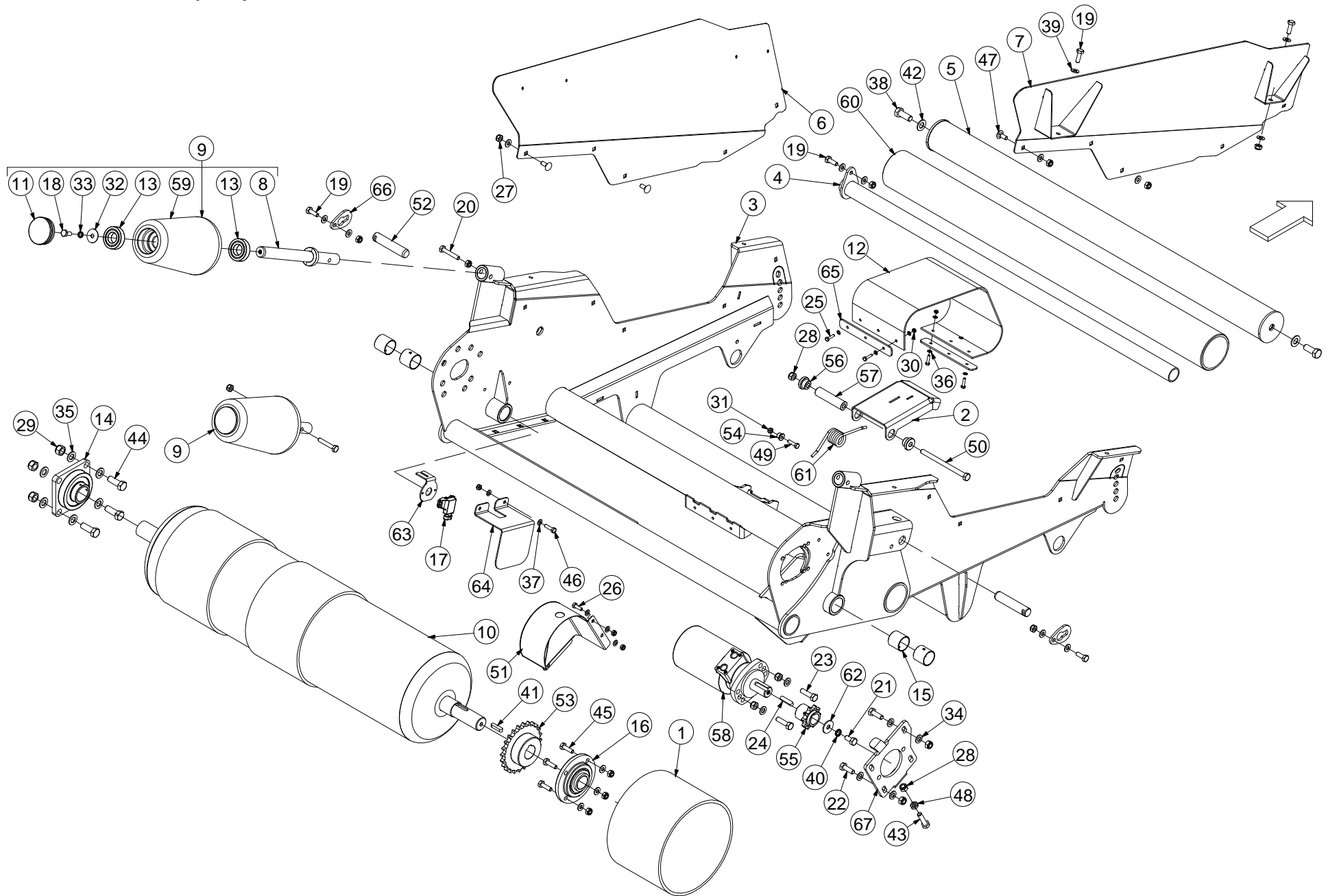
Net tensioner 2 (929)



| No. | Part No | Description | Qty |
|----------------------------------|----------|------------------------------------|-----|
| 1 | ACH01375 | BELT TENSIONER WELD ASSY VARIO | 1 |
| 2 | ADP00293 | NET UNIT COMP POWER STRETCH | 1 |
| 3 | ALA00451 | CURVED SPREADER BAR WELD ASSY | 1 |
| 4 | ALA00644 | BELT TENSIONER ARM WELD ASSY VARIO | 1 |
| 5 | ANT00004 | PULLEY WHEEL BELT TENSIONER ASSY | 1 |
| <i>INCLUDES ITEMS 6 & 24</i> | | | |
| 6 | CBR00020 | BEARING 6204 2RS | 2 |
| 7 | CBR00096 | BEARING GLACIER PM 2020 DX | 1 |
| 8 | CBR00118 | BEARING STEPPED PLAS 16X18X12 | 2 |
| 9 | CFA00052 | SETSCREW M8X20 Z/P | 7 |
| 10 | CFA00055 | BOLT M8X35 Z/P | 1 |
| 11 | CFA00123 | NUT M10 NYLOC | 3 |
| 12 | CFA00124 | NUT M12 NYLOC | 3 |
| 13 | CFA00132 | NUT M8 NYLOC Z/P | 10 |
| 14 | CFA00138 | WASHER FLAT 12MM Z/P | 1 |
| 15 | CFA00139 | WASHER FLAT 12MM H/D Z/P | 3 |
| 16 | CFA00140 | WASHER FLAT 16MM Z/P | 1 |
| 17 | CFA00147 | WASHER FLAT 8MM Z/P | 17 |
| 18 | CFA00201 | WASHER FLAT 10 MM Z/P | 6 |
| 19 | CFA00217 | GREASE NIPPLE M6X1.0 ST | 1 |
| 20 | CFA00250 | WASHER SKM12 | 1 |
| 21 | CFA00256 | NUT M10 Z/P | 1 |
| 22 | CFA00266 | SETSCREW M10X25 Z/P | 2 |
| 23 | CFA00272 | BOLT M12X50 Z/P | 2 |
| 24 | CFA00458 | CIRCLIP 90MM INTERNAL DIN472 | 1 |
| 25 | CFA00475 | SPLIT PIN 5X40 Z/P | 1 |
| 26 | CFA00591 | BOLT M8X25 CUP SQ Z/P | 2 |
| 27 | CFA00670 | BOLT M12X55 CUP SQ Z/P | 1 |
| 28 | CFA00773 | BOLT EYE M10X95 | 1 |
| 29 | CGD00347 | WIND GUARD ASSY NET ARM | 1 |
| 30 | CGD00350 | NETTER COVER FLAP ASSY VARIO | 1 |
| 31 | CMH00261 | BEARING HOLDER CONCENTRIC Z/P | 1 |
| 32 | CMH00742 | BUSH 8X20X13 ZINC PLATED | 1 |
| 33 | CMH01214 | BUSH 12.5X20X27 STEPPED Z/P | 1 |
| 34 | CMH01362 | BUSH 10X25 STEPPED 20 | 1 |
| 35 | CMH01542 | V BELT PULLEY WHEEL B SECTION | 1 |
| 36 | CRA00652 | RAM RESET V6 | 1 |
| <i>INCLUDES ITEMS 7 & 19</i> | | | |
| 37 | CSG00017 | SPRING EXT 4.47X40.6X176X26 | 2 |
| 38 | CZB00235 | 1.5MM L BACK PLATE SPREADER BAR | 1 |
| 39 | CZC02563 | 3MM SPACER PART BELT TENSIONER | 1 |
| 40 | CZF06615 | 6MM SPRING BRACKET BELT TENSIONER | 1 |

| No. | Part No | Description | Qty |
|-----|---------|-------------|-----|
|-----|---------|-------------|-----|

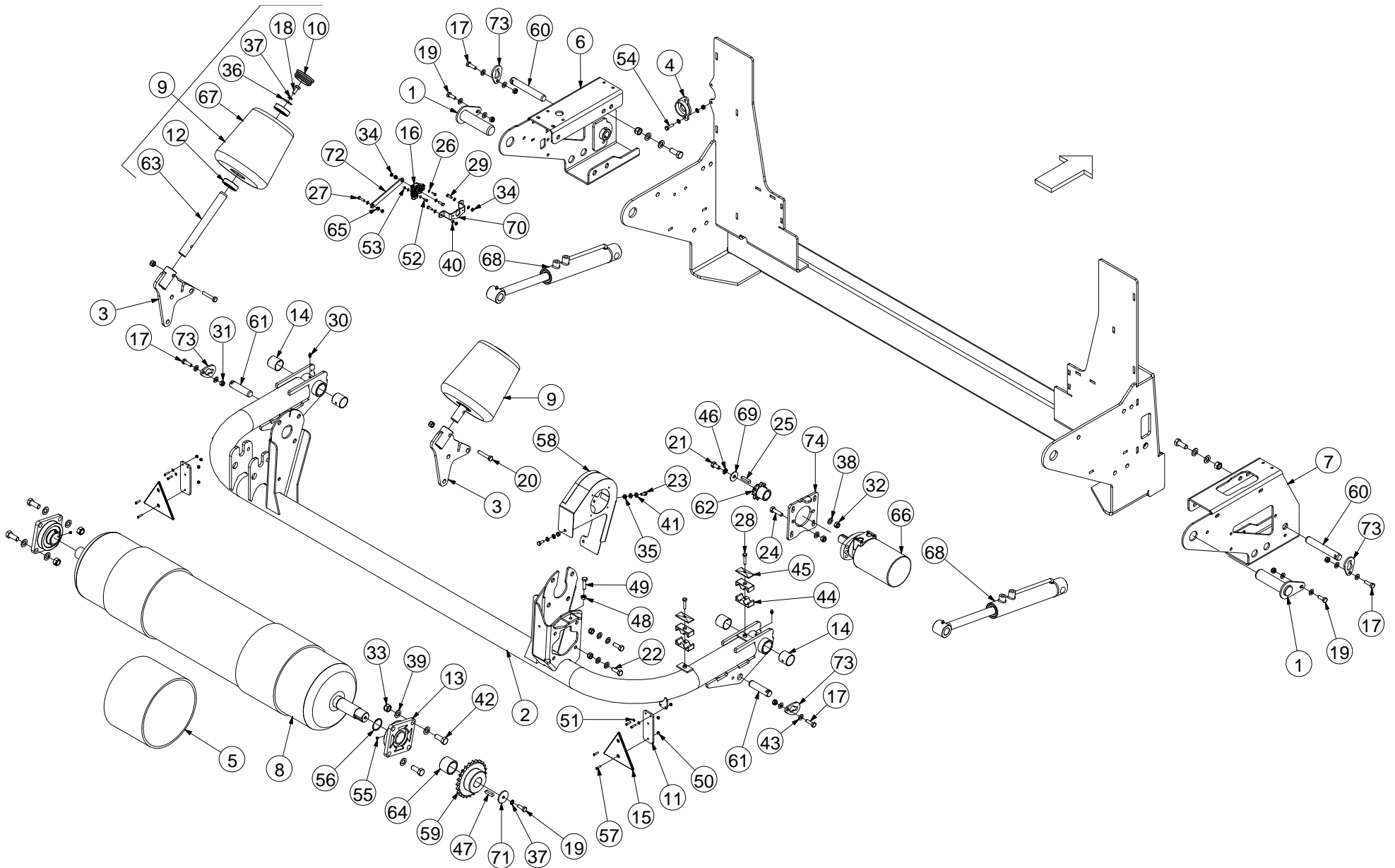
Transfer cradle (932)



| No. | Part No | Description | Qty |
|--|----------|---------------------------------------|-----|
| 0 | ALA00611 | BALE CRADLE COMP ASSY VARIO | 1 |
| <i>INCLUDES ITEMS 1 THROUGH 67</i> | | | |
| 1 | ALA00129 | BELT KIT FOR FUSION | 3 |
| 2 | ALA00575 | BALE CRADLE TRIGGER ASSY | 1 |
| 3 | ALA00610 | BALE CRADLE WELD ASSY VARIO | 1 |
| 4 | ALA00615 | CRADLE CROSSBAR ASSY | 1 |
| 5 | ALA00649 | CRADLE FRONT TUBE VARIO | 1 |
| 6 | ALA00677 | EXTENSION PLATE CRADLE LEFT | 1 |
| 7 | ALA00678 | EXTENSION PLATE CRADLE RIGHT | 1 |
| 8 | ART00005 | BOBBIN AXLE SHAFT | 2 |
| 9 | ART00044 | BOBBIN ASSY COMBI 20 | 2 |
| <i>INCLUDES ITEMS 8, 11, 13, 18, 32, 33 & 59</i> | | | |
| 10 | ART00353 | WRAPPER DRIVE ROLLER SHORT | 1 |
| 11 | CBC00008 | CAP PLASTIC INSERT 75MM | 2 |
| 12 | CBE00245 | BELT 200X740 | 1 |
| 13 | CBR00024 | BEARING 62062RS | 4 |
| 14 | CBR00046 | BEARING FLANGE UNIT SF 1 3/4" | 1 |
| 15 | CBR00082 | BEARING GLACIER 4040 SY | 4 |
| 16 | CBR00104 | BEARING INA TME 40 GE 40 KPPB3 | 1 |
| 17 | CEL00785 | ANGLE SENSOR, 120 DEGREE, 0.5-4.5VOLT | 1 |
| 18 | CFA00024 | SETSCREW M10X25 Z/P | 2 |
| 19 | CFA00025 | SETSCREW M10X30 | 7 |
| 20 | CFA00027 | BOLT M10X60 Z/P | 2 |
| 21 | CFA00031 | SETSCREW M12X25 Z/P | 1 |
| 22 | CFA00033 | SETSCREW M12X35 Z/P | 4 |
| 23 | CFA00065 | SETSCREW M12X45 Z/P | 2 |
| 24 | CFA00081 | KEY 10X8X45 | 1 |
| 25 | CFA00098 | SETSCREW M6X25 Z/P | 6 |
| 26 | CFA00102 | SETSCREW M8X25 Z/P | 3 |
| 27 | CFA00123 | NUT M10 NYLOC | 23 |
| 28 | CFA00124 | NUT M12 NYLOC | 8 |
| 29 | CFA00128 | NUT M16 NYLOC | 4 |
| 30 | CFA00131 | NUT M6 NYLOC | 6 |
| 31 | CFA00132 | NUT M8 NYLOC Z/P | 6 |
| 32 | CFA00134 | WASHER MUDWING M10X38MM OD | 2 |
| 33 | CFA00137 | WASHER SPRING 10MM HD Z/P | 2 |
| 34 | CFA00138 | WASHER FLAT 12MM Z/P | 10 |
| 35 | CFA00140 | WASHER FLAT 16MM Z/P | 8 |
| 36 | CFA00144 | WASHER FLAT 6MM Z/P | 12 |
| 37 | CFA00147 | WASHER FLAT 8MM Z/P | 10 |
| 38 | CFA00151 | SETSCREW M16X40 Z/P | 2 |
| 39 | CFA00201 | WASHER FLAT 10 MM Z/P | 33 |
| 40 | CFA00207 | WASHER SPRING 12MM HD Z/P | 1 |
| 41 | CFA00239 | KEY 10X8X40 | 1 |
| 42 | CFA00252 | WASHER SKM16 | 2 |
| 43 | CFA00270 | SETSCREW M12X50 Z/P | 1 |
| 44 | CFA00282 | BOLT M16X45 | 4 |
| 45 | CFA00311 | SETSCREW M10X35 Z/P | 4 |
| 46 | CFA00316 | BOLT M8X30 Z/P | 2 |

| No. | Part No | Description | Qty |
|---------------------------------------|----------|--------------------------------|-----|
| 47 | CFA00442 | SETSCREW M10X25 CUP SQ | 10 |
| 48 | CFA00446 | NUT M12 HEXAGON LOCK/HALF NUT | 1 |
| 49 | CFA00491 | SETSCREW M8X30 Z/P | 1 |
| 50 | CFA00747 | BOLT M12X170Z/P | 1 |
| 51 | CGD00302 | GUARD BALE CRADLE CHAIN DRIVE | 1 |
| 52 | CMH00387 | PIN 25X120 MILLED FOR CAP Z/P | 2 |
| 53 | CMH00396 | SPROCKET 3/4" PITCH 24T 40 DIA | 1 |
| 54 | CMH00742 | BUSH 8X20X13 ZINC PLATED | 1 |
| 55 | CMH00749 | SPROCKET 3/4" PITCH 10T 32 DIA | 1 |
| 56 | CMH00771 | BUSH 12X35 STEPPED | 2 |
| 57 | CMH01514 | BUSH 12X25X100 | 1 |
| 58 | CMT00064 | MOTOR 625CC SIDE PORT 32SHAFT | 1 |
| 59 | CPL00038 | BOBBIN ASY FUS/HS2000 | 2 |
| <i>INCLUDES BEARINGS (2x ITEM 13)</i> | | | |
| 60 | CPL00159 | TUBE PLAS 110X7X1240 VARIO | 1 |
| 61 | CSG00270 | SPRING TOR 6.35WDX27IDX7 COILS | 1 |
| 62 | CZC02058 | 3MM L WASHER 38 X 12.5 X 3 | 1 |
| 63 | CZC03603 | 3MM L POT BRACKET PART | 1 |
| 64 | CZC03604 | 3MM POT GUARD BALE CRADLE | 1 |
| 65 | CZD02852 | 4MM BALE CRADLE PART | 2 |
| 66 | CZF00293 | 6MM L CAP SHORT FOR 25MM PINS | 2 |
| 67 | CZG02433 | 8MM L MOTOR PLATE PART | 1 |

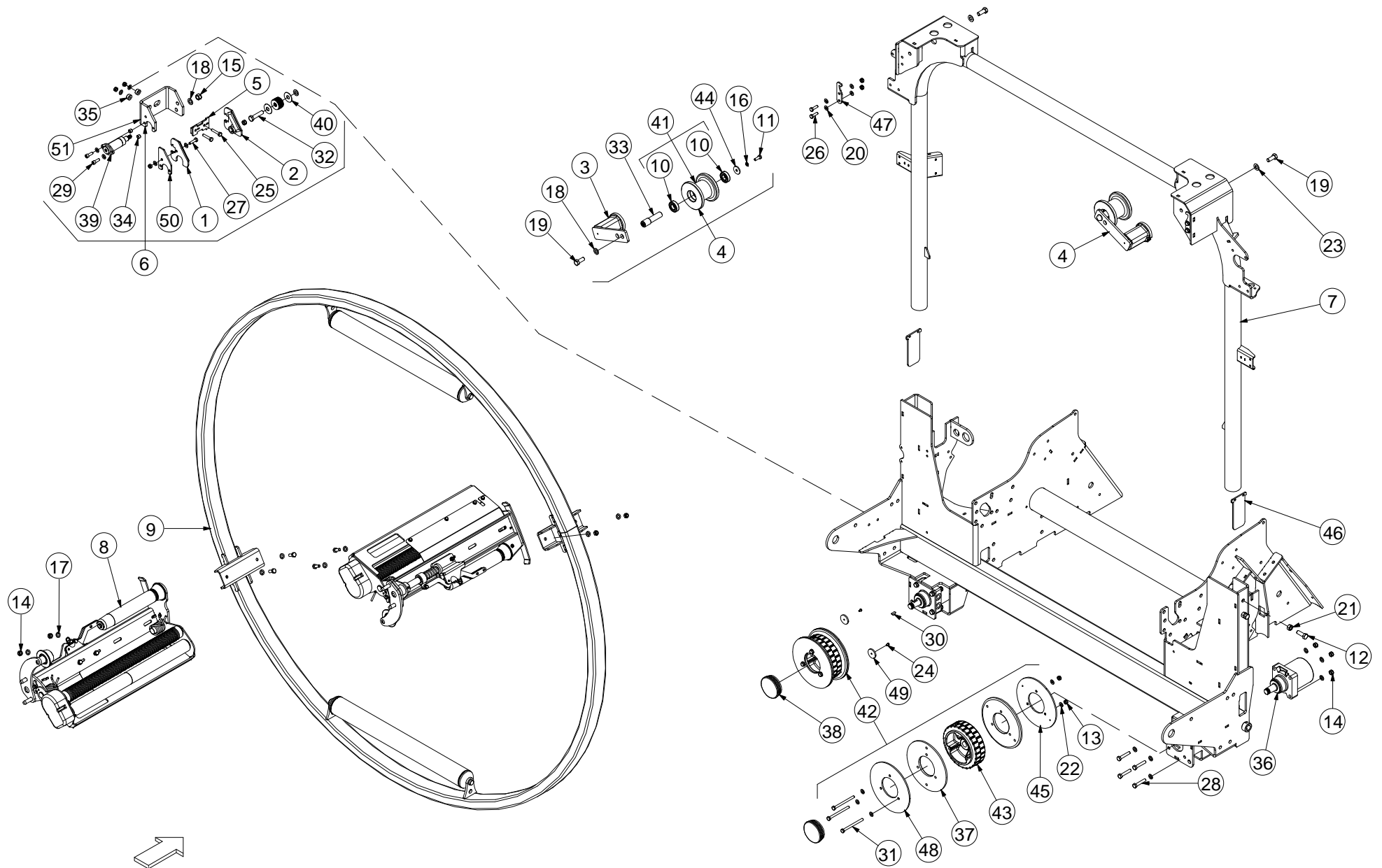
Rear wrapping cradle (953)



| No. | Part No | Description | Qty |
|-----|----------|------------------------------------|-----|
| 1 | ACH00396 | 40MM PIN ASSY WRAPPER CRADLE | 2 |
| 2 | ACH00416 | WRAPPER REAR FRAME WELD ASSY | 1 |
| 3 | ACH01381 | BOBBIN BRACKET WELD ASSY VARIO | 2 |
| 4 | ACH02821 | RING SENSOR BRACKET FUSION 3 CT | 1 |
| 5 | ALA00129 | BELT KIT FOR FUSION | 3 |
| 6 | ARC00329 | CRADLE SUPPORT ASSY LEFT | 1 |
| 7 | ARC00330 | CRADLE SUPPORT ASSY RIGHT | 1 |
| 8 | ART00102 | FUSION ROLLER COMPLETE W/BELTS | 1 |
| 9 | ART00362 | BOBBIN ASY BIG 30MM COMPLETE | 2 |
| 10 | CBC00008 | CAP PLASTIC INSERT 75MM | 2 |
| 11 | CBE00255 | RUBBER REFLECTOR HANGER STRIP | 2 |
| 12 | CBR00024 | BEARING 62062RS | 4 |
| 13 | CBR00046 | BEARING FLANGE UNIT SF 1 3/4" | 2 |
| 14 | CBR00082 | BEARING GLACIER 4040 SY | 4 |
| 15 | CEL00077 | REFLECTOR REAR TRIANGULAR RED | 2 |
| 16 | CEL00833 | ANGLE SENSOR + ARM ASSEMBLY ELOBAU | 1 |
| 17 | CFA00016 | BOLT M10X35 | 4 |
| 18 | CFA00024 | SETSCREW M10X25 Z/P | 2 |
| 19 | CFA00025 | SETSCREW M10X30 | 3 |
| 20 | CFA00027 | BOLT M10X60 Z/P | 2 |
| 21 | CFA00031 | SETSCREW M12X25 Z/P | 1 |
| 22 | CFA00033 | SETSCREW M12X35 Z/P | 4 |
| 23 | CFA00052 | SETSCREW M8X20 Z/P | 3 |
| 24 | CFA00065 | SETSCREW M12X45 Z/P | 2 |
| 25 | CFA00081 | KEY 10X8X45 | 1 |
| 26 | CFA00082 | WASHER 4MM SHAKEPROOF | 4 |
| 27 | CFA00098 | SETSCREW M6X25 Z/P | 1 |
| 28 | CFA00100 | BOLT M8X40 Z/P | 2 |
| 29 | CFA00115 | SETSCREW M6X20 Z/P | 3 |
| 30 | CFA00118 | GREASE NIPPLE M8X1.25 STRAIGHT | 2 |
| 31 | CFA00123 | NUT M10 NYLOC | 6 |
| 32 | CFA00124 | NUT M12 NYLOC | 8 |
| 33 | CFA00128 | NUT M16 NYLOC | 17 |
| 34 | CFA00131 | NUT M6 NYLOC | 4 |
| 35 | CFA00132 | NUT M8 NYLOC Z/P | 5 |
| 36 | CFA00134 | WASHER MUDWING M10X38MM OD | 2 |
| 37 | CFA00137 | WASHER SPRING 10MM HD Z/P | 3 |
| 38 | CFA00138 | WASHER FLAT 12MM Z/P | 10 |
| 39 | CFA00140 | WASHER FLAT 16MM Z/P | 34 |
| 40 | CFA00144 | WASHER FLAT 6MM Z/P | 6 |
| 41 | CFA00147 | WASHER FLAT 8MM Z/P | 10 |
| 42 | CFA00151 | SETSCREW M16X40 Z/P | 17 |
| 43 | CFA00201 | WASHER FLAT 10 MM Z/P | 12 |
| 44 | CFA00203 | 20MM HOSE CLAMP | 4 |
| 45 | CFA00204 | HOSE CLAMP COVER PLATE 20-25 | 2 |
| 46 | CFA00207 | WASHER SPRING 12MM HD Z/P | 1 |
| 47 | CFA00239 | KEY 10X8X40 | 1 |
| 48 | CFA00256 | NUT M10 Z/P | 1 |

| No. | Part No | Description | Qty |
|-----|----------|---|-----|
| 49 | CFA00312 | SETSCREW M10X40 Z/P | 1 |
| 50 | CFA00321 | NUT M5 NYLOC | 8 |
| 51 | CFA00337 | WASHER FLAT 5MM Z/P | 4 |
| 52 | CFA00391 | SETSCREW M4X16 Z/P | 2 |
| 53 | CFA00392 | NUT M4 NYLOC | 2 |
| 54 | CFA00491 | SETSCREW M8X30 Z/P | 2 |
| 55 | CFA00613 | GRUBSCREW M8X6 | 4 |
| 56 | CFA00803 | CIRCLIP 45 MM EXTERNAL | 1 |
| 57 | CFA02316 | SETSCREW M5X20 PAN HEAD Z/P | 8 |
| 58 | CGD00038 | GUARD REAR ROLLER CRADLE | 1 |
| 59 | CMH00396 | SPROCKET 3/4" PITCH 24T 40 DIA | 1 |
| 60 | CMH00403 | PIN 25X170 Z/P MILLED FOR CAP | 2 |
| 61 | CMH00422 | PIN 25 X 100 MILLED FOR CAP Z/P | 2 |
| 62 | CMH00749 | SPROCKET 3/4" PITCH 10T 32 DIA | 1 |
| 63 | CMH01183 | PIN 30X280 BOBBIN AXLE | 2 |
| 64 | CMH01201 | BUSH 45X55X41 | 1 |
| 65 | CMH01491 | BUSH 6X12X7 ZP | 2 |
| 66 | CMT00064 | MOTOR 625CC SIDE PORT 32SHAFT | 1 |
| | | <i>USE SEAL KIT CSE00110 FOR THIS MOTOR</i> | |
| 67 | CPL00008 | BOBBIN ASSEMBLY | 2 |
| | | <i>INCLUDES BEARINGS ITEM 12</i> | |
| 68 | CRA00558 | RAM 50X30 ROLLER CRADLE FUSION | 2 |
| 69 | CZC02058 | 3MM L WASHER 38 X 12.5 X 3 | 1 |
| 70 | CZC03614 | 3MM POT BRACKET PART | 1 |
| 71 | CZD00121 | 4MM L CUT & TIE SPACER Z/P | 1 |
| 72 | CZD02818 | 4MM LEVER ARM CRADLE POT | 1 |
| 73 | CZF00293 | 6MM L CAP SHORT FOR 25MM PINS | 4 |
| 74 | CZG02077 | 8MM L MOTOR PLATE PART | 1 |

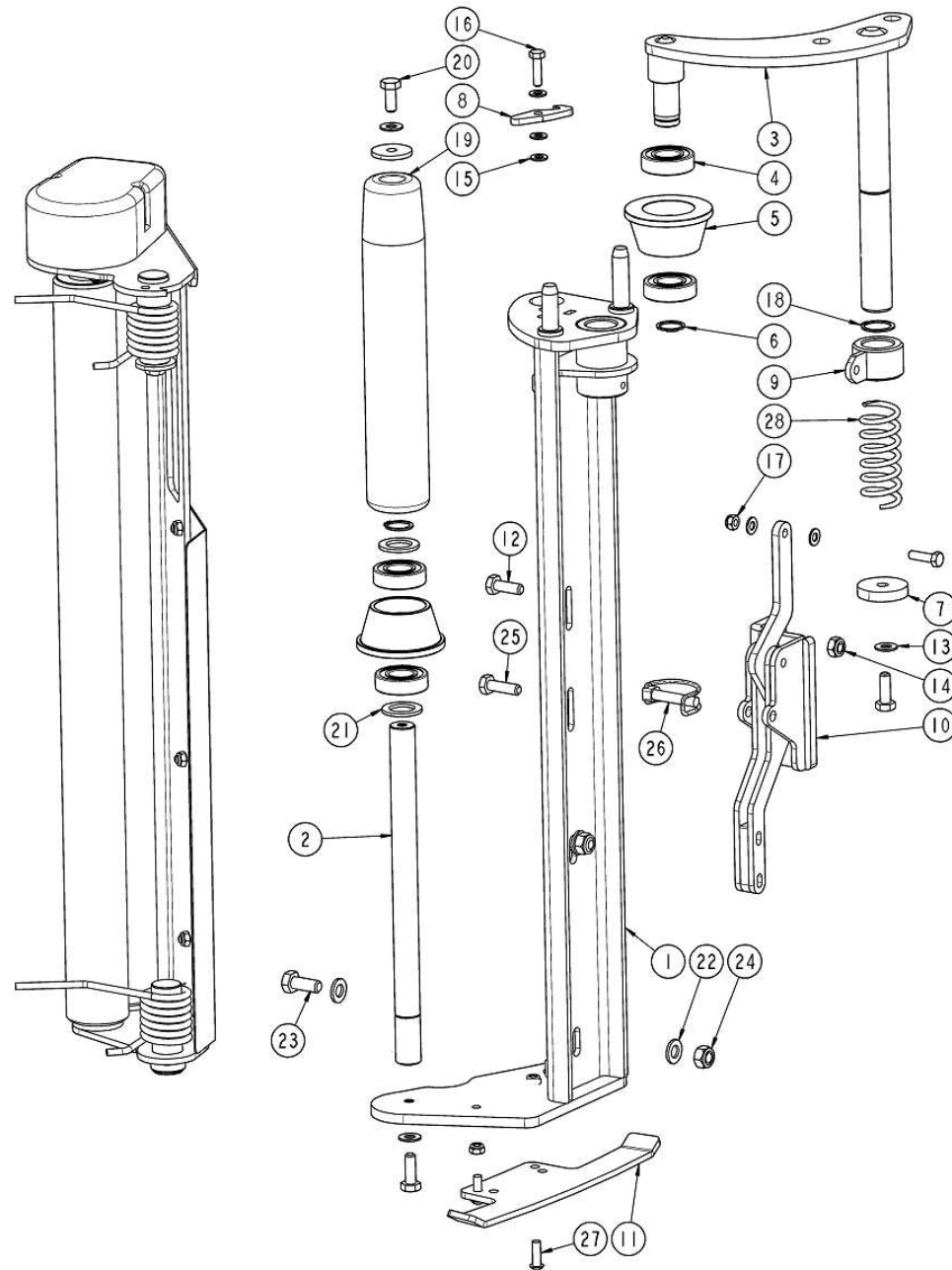
Dispenser ring (810)



| No. Part No | Description | Qty |
|---|-----------------------------------|-----|
| 1 ABS00014 | BRAKE PAD SET CALIPER FUSION | 1 |
| <i>INCLUDES ITEM 2</i> | | |
| 2 ABS00014 | BRAKE PAD SET CALIPER FUSION | 1 |
| <i>INCLUDES ITEM 1</i> | | |
| 3 ACH00363 | SUSPENSION UNIT ASSY | 2 |
| 4 ACH00364 | SUSPENSION UNIT DISPENSER RING | 2 |
| <i>COMPLETE ASSEMBLY</i> | | |
| 5 ACH01410 | BRAKE PAD SLIDE FUSION 3 | 1 |
| <i>REPLACES ACH00344</i> | | |
| 6 ACH01411 | BRAKE CALIPER COMP ASSY FUSION 3 | 1 |
| <i>COMPLETE ASSEMBLY - REPLACES ACH00342</i> | | |
| 7 ACH01323 | RING SUPPORT FRAME COMP VARIO | 1 |
| <i>USED ON FUSION VARIO ONLY</i> | | |
| 7 ACH02505 | DISPENSER TOP CROSS BEAM FUSION 3 | 1 |
| <i>USED ON FUSION 3 & FUSION 3 PLUS (SHOWN)</i> | | |
| 8 ADP00079 | DISPENSER COMPLETE FUSION 3 | 2 |
| <i>USED ON FUSION 3 & FUSION 3 PLUS ONLY</i> | | |
| 8 ADP00281 | DISPENSER COMPLETE FUSION VARIO | 2 |
| <i>USED ON FUSION VARIO ONLY</i> | | |
| 9 ADP00152 | DISPENSER RING WELD ASSY | 1 |
| 10 CBR00009 | BEARING 6205 2RS | 4 |
| 11 CFA00025 | SETSCREW M10X30 | 2 |
| 12 CFA00382 | BOLT M16X45 Z/P | 4 |
| <i>REPLACES SETSCREW CFA00074</i> | | |
| 13 CFA00123 | NUT M10 NYLOC | 13 |
| 14 CFA00124 | NUT M12 NYLOC | 9 |
| 15 CFA00128 | NUT M16 NYLOC | 1 |
| 16 CFA00137 | WASHER SPRING 10MM HD Z/P | 2 |
| 17 CFA00138 | WASHER FLAT 12MM Z/P | 16 |
| 18 CFA00140 | WASHER FLAT 16MM Z/P | 4 |
| 19 CFA00151 | SETSCREW M16X40 Z/P | 4 |
| 20 CFA00201 | WASHER FLAT 10 MM Z/P | 12 |
| 21 CFA00231 | NUT M16 Z/P | 4 |
| 22 CFA00251 | WASHER SKM10 | 14 |
| 23 CFA00252 | WASHER SKM16 | 2 |
| 24 CFA00044 | SETSCREW M6X12 CSK ZP | 2 |
| <i>REPLACES CFA00269 (M6X10 SETSCREW)</i> | | |
| 25 CFA00156 | BOLT M10X55 ZP | 2 |
| <i>REPLACES CFA00310 (M10X50)</i> | | |
| 26 CFA00311 | SETSCREW M10X35 Z/P | 4 |
| 27 CFA00312 | SETSCREW M10X40 Z/P | 1 |
| 28 CFA00579 | BOLT M12X65 ZP | 8 |
| 29 CFA00602 | SETSCREW M10X30 SOC CAP Z/P | 2 |
| 30 CFA00611 | KEY RING MOTOR FUSION | 2 |
| 31 CFA00793 | BOLT M10X130 Z/P | 6 |
| 32 CFA01034 | BOLT M16X70 Z/P GRADE 8.8 | 1 |
| 33 CMH00694 | PIN 30X115 STEPPED 25 | 2 |
| 34 CMH00809 | BUSH 10X16X11 Z/P | 2 |
| 35 CMH01329 | BUSH 10X25X12 | 2 |
| 36 CMT00056 | MOTOR 80CC WHEEL TAPER SHAFT | 2 |
| <i>USE SEAL KIT CSE00110 FOR THIS MOTOR</i> | | |

| No. Part No | Description | Qty |
|--|----------------------------------|-----|
| 37 CPL00049 | PLASTIC WHEEL WEAR PLATE DRIVE | 4 |
| 38 CPL00106 | BLANKING CAP 110MM BLACK | 2 |
| 39 CRA00172 | RAM BRAKE CALIPER | 1 |
| 40 CSG00032 | SPRING BELVILLE 18X50 | 14 |
| 41 CWH00253 | WHEEL IDLE ROLLER FUSION | 2 |
| <i>INCLUDES BEARINGS</i> | | |
| 42 CWH00255 | DISPENSER DRIVE WHEEL COMP | 2 |
| <i>COMPLETE ASSEMBLY & DIRECT REPLACEMENT FOR CWH00038</i> | | |
| 43 CWH00276 | WHEEL + TYRE DISP DRIVE CB63 | 2 |
| <i>REPLACES CWH00254</i> | | |
| 44 CZD00118 | 4MM L CUT& TIE SPACER | 2 |
| 45 CZF02725 | 6MM L WHEEL SIDE PLATE 250 DIA | 2 |
| 46 CZF04516 | 6MM L CHASSIS PART FUSION | 2 |
| 47 CZF06031 | 6MM L PLATE | 2 |
| 48 CZF02725 | 6MM L WHEEL SIDE PLATE 250 DIA | 2 |
| <i>REPLACES CZF06108</i> | | |
| 49 CZF06302 | 6MM L WASHER SENSOR 6X47 | 2 |
| 50 CZF06844 | 6MM SPACER PLATE BRAKE CALIPER | 1 |
| 51 CZH03976 | 10MM BRAKE CALIPER PART FUSION 3 | 1 |
| <i>REPLACES CZH02466</i> | | |

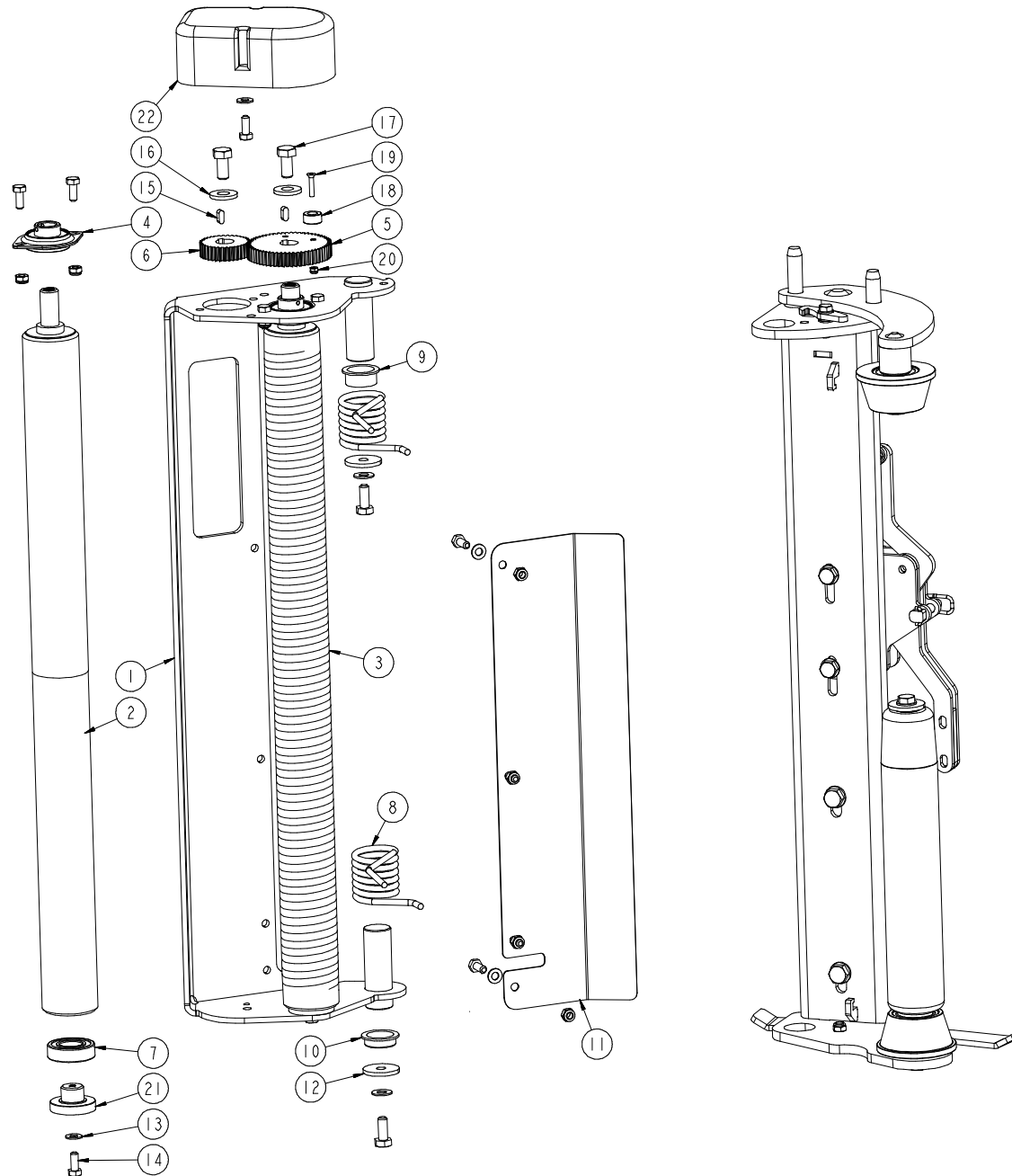
Dispenser 1 (529)



| No. | Part No | Description | Qty |
|-----|----------|--|-----|
| 1 | ADP00080 | DISP WELD FILM HOLDER FUSION | 1 |
| 2 | CMH00573 | PIN 25X392 AXLE FILM DISPENSER | 1 |
| 3 | ADP00084 | DISP ROLL RETAINER WELD ASSY B/W | 1 |
| 4 | CBR00009 | BEARING 6205 2RS | 4 |
| 5 | CMH00785 | COIL ROLLER (2 BEARING TYPE) | 2 |
| 6 | CFA00001 | CIRCLIP 25MM EXTERNAL Z/P | 2 |
| 7 | CZH02093 | 10MM L WASHER 10X50 Z/P | 1 |
| 8 | CZF02832 | 6MM L DISPENSER PART BALER | 1 |
| 9 | ADP00100 | DISP SLIDE BUSH ASSY | 1 |
| 10 | ADP00162 | DIS LOCK COMP ASSY | 1 |
| 11 | CZF02846 | 6MM L SENSOR PLATE BALER | 1 |
| 12 | CFA00025 | SETSCREW M10X30 | 3 |
| 13 | CFA00251 | WASHER SKM10 | 7 |
| 14 | CFA00123 | NUT M10 NYLOC | 2 |
| 15 | CFA00147 | WASHER FLAT 8MM Z/P | 10 |
| 16 | CFA00316 | BOLT M8X30 Z/P | 2 |
| 17 | CFA00132 | NUT M8 NYLOC Z/P | 12 |
| 18 | CFA00402 | CIRCLIP 30MM EXTERNAL | 1 |
| 19 | CPL00059 | BOBBIN DISPENSER ROLL GUIDE | 1 |
| 20 | CFA00024 | SETSCREW M10X25 Z/P | 3 |
| 21 | CZC00112 | 3MM L DISPENSER SPACER | 2 |
| 22 | CFA00138 | WASHER FLAT 12MM Z/P | 4 |
| 23 | CFA00032 | SETSCREW M12X30 Z/P | 2 |
| 24 | CFA00124 | NUT M12 NYLOC | 2 |
| 25 | CFA00311 | SETSCREW M10X35 Z/P | 1 |
| 26 | CFA00194 | LINCH PIN PIPE 10MMX50MM | 1 |
| 27 | CFA00744 | SETSCREW M8X25 BUTTO | 2 |
| 28 | CSG00213 | SPRING 4.88W/D X 31ID X 7T/C X 100 F/C | 1 |

| No. | Part No | Description | Qty |
|-----|---------|-------------|-----|
|-----|---------|-------------|-----|

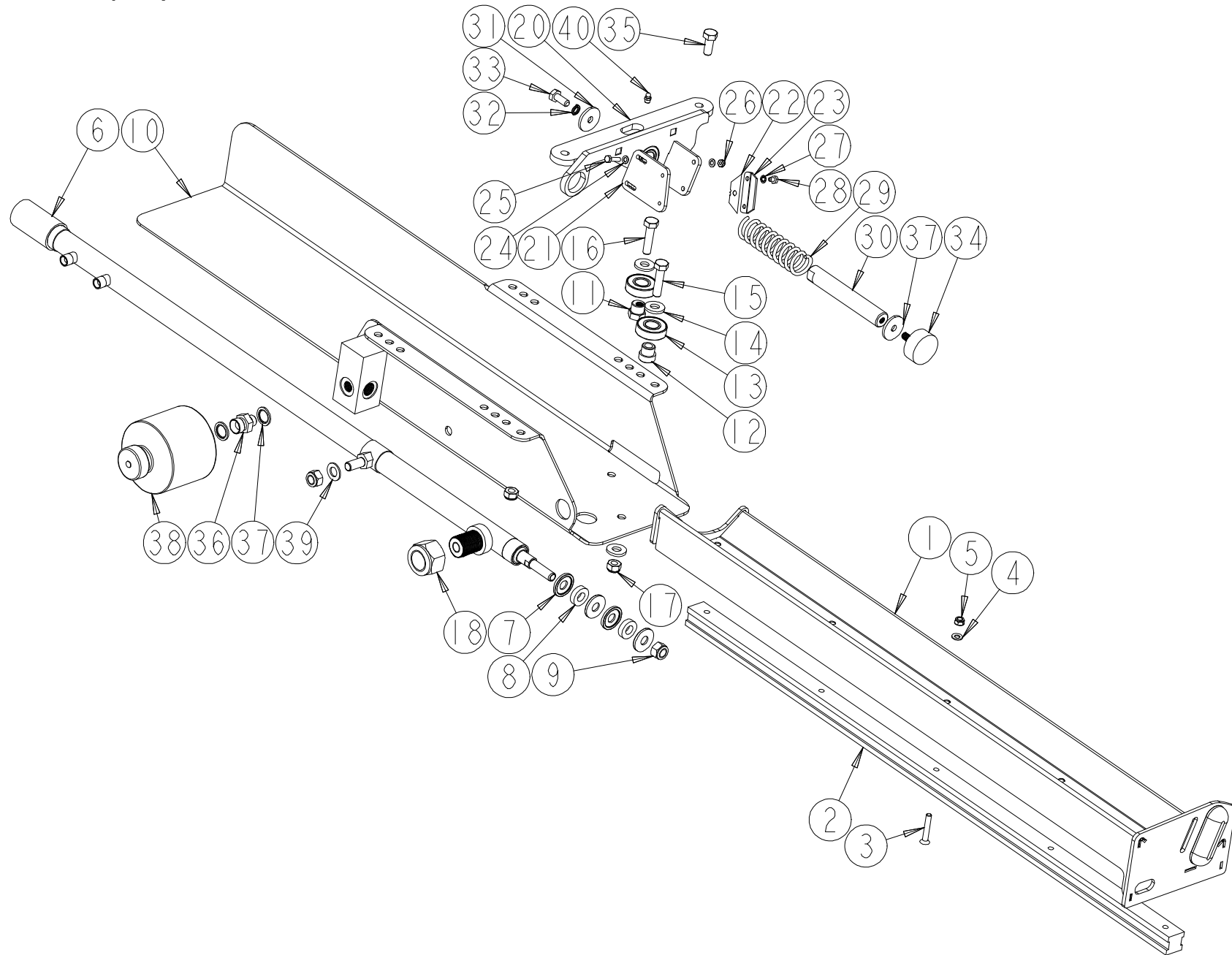
Dispenser 2 (530)



| No. | Part No | Description | Qty |
|---|----------|--|-----|
| 1 | ADP00082 | DISP ROLLER FRAME WELD ASSY B/W | 1 |
| <i>USED ON FUSION 1, FUSION 2, FUSION 3 & FUSION 3 PLUS</i> | | | |
| 1 | ADP00279 | DISP ROLLER FRAME WELD VARIO | 1 |
| <i>USED ON FUSION VARIO ONLY</i> | | | |
| 2 | CMH00580 | ROLLER SECONDARY ALU BALER/WRAPPER | 1 |
| 3 | CMH02320 | ROLLER DISPENSER PRIMARY SPIROL FUSION/W20 | 1 |
| 4 | CBR00004 | BEARING 20MM 2BOLT P/S FLANGE | 2 |
| 5+6 | ADP00018 | KIT DISPENSER GEARS 70% | 1 |
| 5+6 | ADP00019 | KIT DISPENSER GEARS 55% | 1 |
| 7 | CBR00009 | BEARING 6205 2RS | 2 |
| 8 | CSG00041 | SPRING TOR 6.35WDX48ODX7.8COIL | 2 |
| 9 | CBR00068 | BEARING 30X34X16 STEPPED PLAS | 1 |
| 10 | CBR00107 | BEARING 30X34X11 STEPPED PLAS | 1 |
| 11 | CZB02152 | 1.5MM L DISPENSER GRASS GUARD | 1 |
| 12 | CZD00118 | 4MM L CUT& TIE SPACER | 3 |
| 13 | CFA00249 | WASHER SKM8 | 4 |
| 14 | CFA00052 | SETSCREW M8X20 Z/P | 12 |
| 15 | CFA00153 | KEY 6X6X15 | 2 |
| 16 | CFA00139 | WASHER FLAT 12MM H/D Z/P | 2 |
| 17 | CFA00031 | SETSCREW M12X25 Z/P | 2 |
| 18 | CEL00059 | MAGNET 20 X 10 260369 | 1 |
| 19 | CFA00608 | SETSCREW M5X25 CSK HEAD SS | 1 |
| 20 | CFA00348 | NUT M5 NYLOC SS | 1 |
| 21 | CMH00583 | PIN 50X40 STEPPED 20 | 2 |
| 22 | CEL00221 | TRANSMITTER EVEN/GEAR COVER | 1 |
| 22 | CEL00222 | TRANSMITTER ODD/ GEAR COVER | 1 |
| 22 | CEL00636 | KIT TRANSMITTERS AND RECEIVER | 1 |

| No. | Part No | Description | Qty |
|-----|---------|-------------|-----|
|-----|---------|-------------|-----|

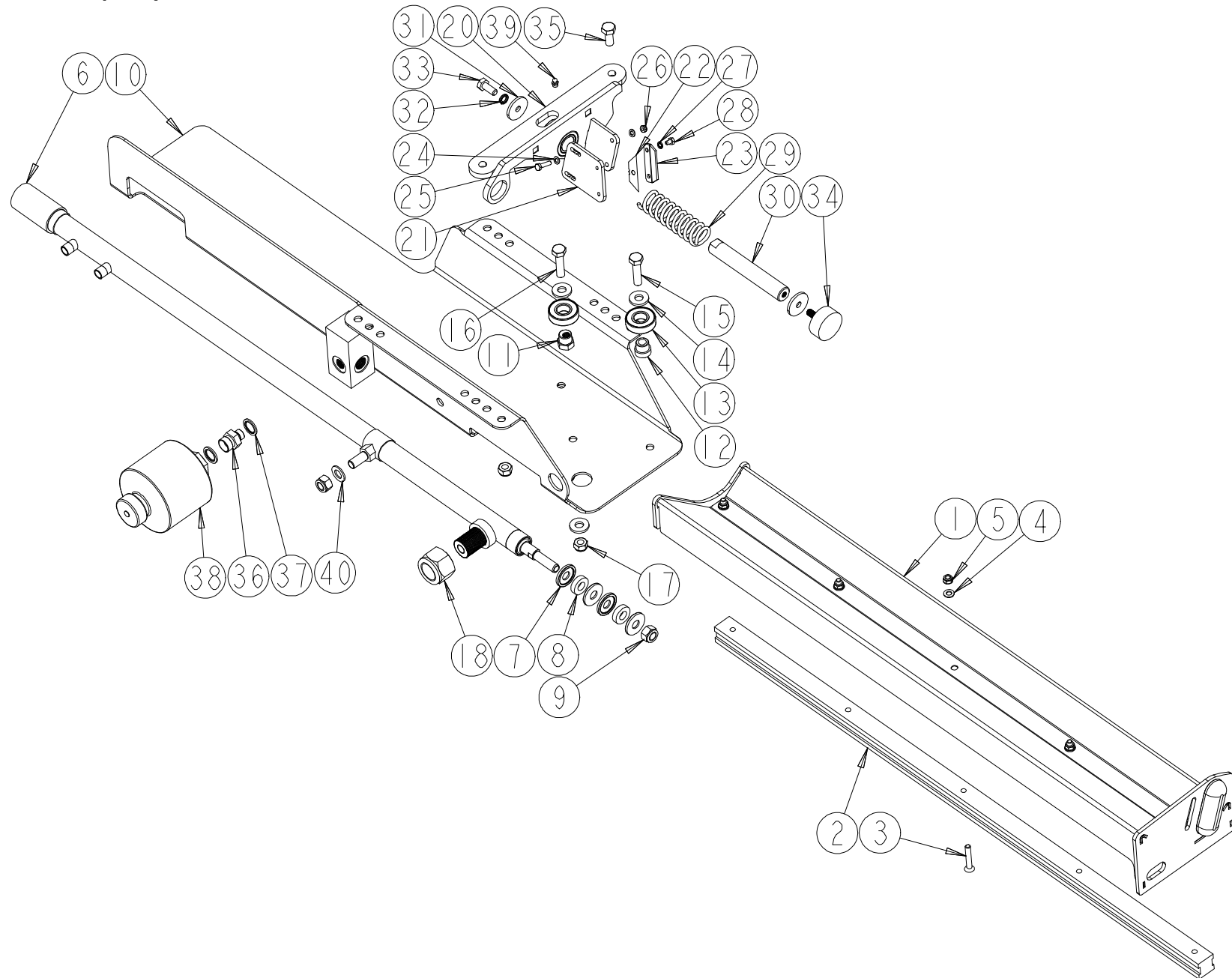
Cut & Hold LH (814)



| No. | Part No | Description | Qty |
|-----|----------|--------------------------------|-----|
| 0 | ACT00064 | CUT & HOLD COMPLETE ASM LHS F3 | 1 |
| 1 | ACT00002 | CUT&HOLD SLIDER BARE (ALUM) | 1 |
| 2 | CMH00260 | CUT&HOLD RAIL | 1 |
| 3 | CFA00089 | SETSCREW M8X45 CSK HEX ZP | 5 |
| 4 | CFA00147 | WASHER FLAT 8MM ZP | 5 |
| 5 | CFA00132 | NUT M8 NYLOC ZP | 5 |
| 6 | CRA00074 | RAM 25X18 CUT&HOLD 998 | 1 |
| 7 | CMH00330 | WASHER DISHED 998 C&H RAM | 4 |
| 8 | CMH00331 | WASHER RUBBER 998 C&H | 2 |
| 9 | CFA00126 | NUT M14 NYLOC | 1 |
| 10 | ACT00065 | CUT & HOLD FRAME WELD ASY LEFT | 1 |
| 11 | CMH00262 | BEARING HOLDER ECCENTRIC | 1 |
| 12 | CMH00261 | BEARING HOLDER CONCENTRIC ZP | 2 |
| 13 | CBR00020 | BEARING 6204 2RS | 3 |
| 14 | CFA00139 | WASHER FLAT 12MM H/D ZP | 6 |
| 15 | CFA00272 | BOLT M12X50 ZP | 2 |
| 16 | CFA00270 | SETSCREW M12X50 ZP | 1 |
| 17 | CFA00124 | NUT M12 NYLOC | 5 |
| 18 | CFA00012 | NUT 1"1/4 NYLOC UNF | 1 |
| 19 | CFA00126 | NUT M14 NYLOC | 1 |
| 20 | ACT00003 | CUT&HOLD 998, PLUNGER BRACKET | 1 |
| 21 | CZF02121 | 6MM L KNIFE PLATE | 1 |
| 22 | CKN00011 | KNIFE STANLEY BLADE CUT&HOLD | 2 |
| 23 | CZC02012 | 3MM L 998/COMBI KNIFE CLAMP | 1 |
| 24 | CFA00144 | WASHER FLAT 6MM ZP | 4 |
| 25 | CFA00098 | SETSCREW M6X25 ZP | 2 |
| 26 | CFA00131 | NUT M6 NYLOC | 2 |
| 27 | CFA00268 | WASHER 6MM SHAKEPROOF | 2 |
| 28 | CFA00269 | SETSCREW M6X10 ZP | 2 |
| 29 | CSG00036 | SPRING COM 4.88X38X150X12 | 1 |
| 30 | CMH00023 | PIN 25X159 C.PLUNGER C&T | 1 |
| 31 | CZD00118 | 4MM L CUT& TIE SPACER | 2 |
| 32 | CFA00137 | WASHER SPRING 10MM H.D ZP | 1 |
| 33 | CFA00024 | SETSCREW M1 0X25 ZP | 1 |
| 34 | CBE00002 | BUFFER RUBBER 50X21 M10X28 | 1 |
| 35 | CFA00032 | SETSCREW M12X30 ZP | 2 |
| 36 | CHY02008 | ADAPTOR 1/2" M 3/8" M | 1 |
| 37 | CHY00053 | WASHER DOWTY 112" | 2 |
| 38 | CVA03011 | ACCUMULATOR 0.7 LITRE 70 BAR | 1 |
| 39 | CFA00222 | WASHER FLAT 14MM ZP | 1 |
| 40 | CFA00118 | GREASE NIPPLE M8X1.25 STRAIGHT | 1 |

| No. | Part No | Description | Qty |
|-----|---------|-------------|-----|
|-----|---------|-------------|-----|

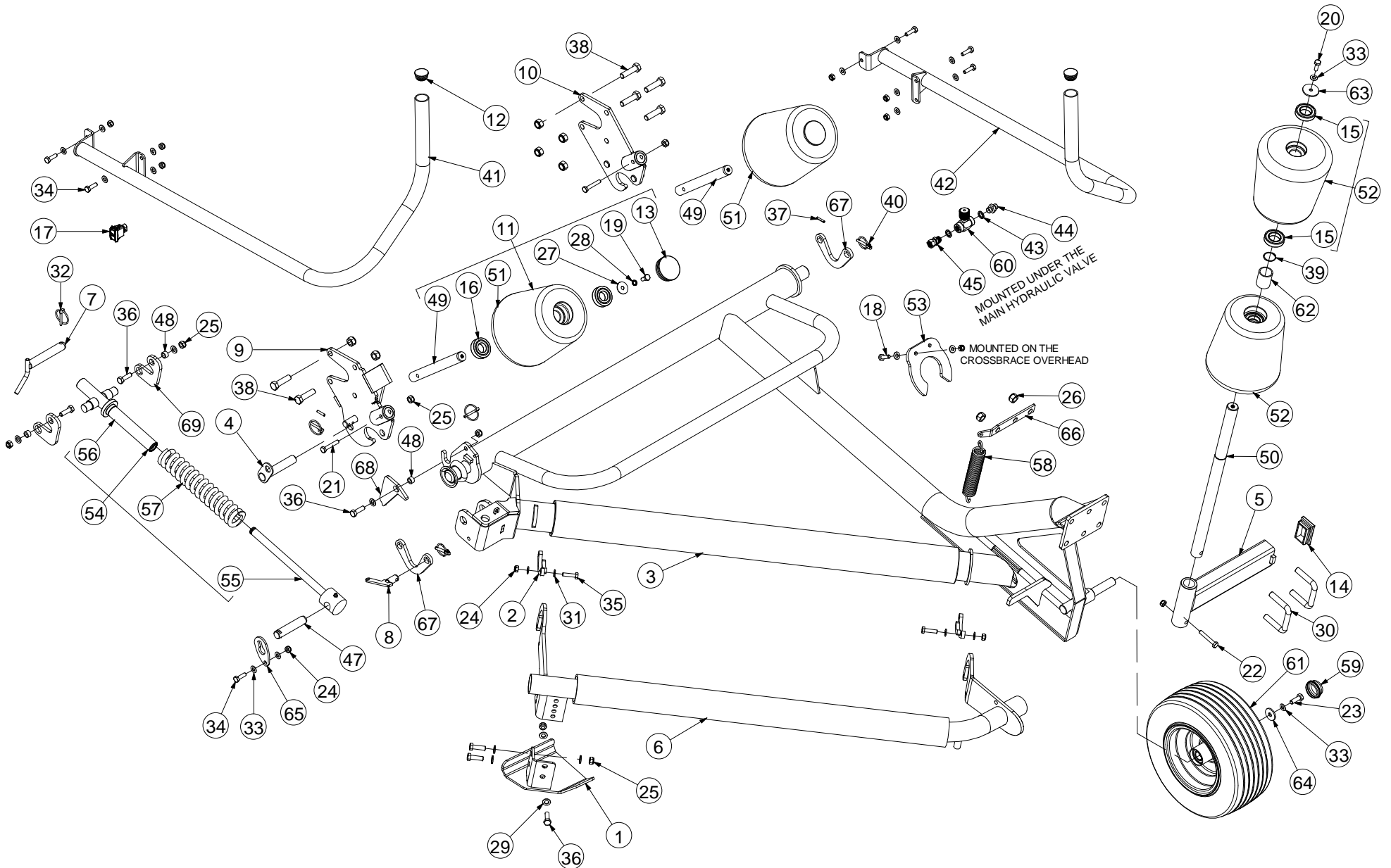
Cut & Hold RH (532)



| No. | Part No | Description | Qty |
|-----|----------|---------------------------------|-----|
| 0 | ACT00039 | CUT & HOLD BALER RHS COMPLETE | 1 |
| 1 | ACT00002 | CUT&HOLD SLIDER BARE (ALUM) | 1 |
| 2 | CMH00260 | CUT&HOLD RAIL | 1 |
| 3 | CFA00089 | SETSCREW M8X45 CSK HEX ZP | 5 |
| 4 | CFA00147 | WASHER FLAT 8MM ZP | 5 |
| 5 | CFA00132 | NUT M8 NYLOC ZP | 5 |
| 6 | CRA00074 | RAM 25X18 CUT&HOLD 998 | 5 |
| 7 | CMH00330 | WASHER DISHED 998 C&H RAM | 4 |
| 8 | CMH00331 | WASHER RUBBER 998 C&H | 2 |
| 9 | CFA00126 | NUT M14 NYLOC | 1 |
| 10 | ACT00042 | CUT & HOLD FRAME WELD ASY RIGHT | 1 |
| 11 | CMH00262 | BEARING HOLDER ECCENTRIC | 1 |
| 12 | CMH00261 | BEARING HOLDER CONCENTRIC ZP | 2 |
| 13 | CBR00020 | BEARING 6204 2RS | 3 |
| 14 | CFA00139 | WASHER FLAT 12MM H/D ZP | 6 |
| 15 | CFA00272 | BOLT M12X50 ZP | 2 |
| 16 | CFA00270 | SETSCREW M12X50 ZP | 1 |
| 17 | CFA00124 | NUT M12 NYLOC | 6 |
| 18 | CFA00012 | NUT 1"1/4 NYLOOC UNF | 1 |
| 19 | CFA00126 | NUT M14 NYLOC | 1 |
| 20 | ACT00003 | CUT&HOLD 998, PLUNGER BRACKET | 1 |
| 21 | CZF02121 | 6MM L KNIFE PLATE | 1 |
| 22 | CKN00011 | KNIFE STANLEY BLADE CUT&HOLD | 2 |
| 23 | CZC02012 | 3MM L 998/COMBI KNIFE CLAMP | 1 |
| 24 | CFA00144 | WASHER FLAT 6MM ZP | 4 |
| 25 | CFA00098 | SETSCREW M6X25 ZP | 2 |
| 26 | CFA00131 | NUT M6 NYLOC | 2 |
| 27 | CFA00268 | WASHER 6MM SHAKEPROOF | 2 |
| 28 | CFA00269 | SETSCREW M6X10 ZP | 2 |
| 29 | CSG00036 | SPRING COM 4.88X38X150X12 | 1 |
| 30 | CMH00023 | PIN 25X159 C.PLUNGER C&T | 1 |
| 31 | CZD00118 | 4MM L CUT& TIE SPACER | 2 |
| 32 | CFA00137 | WASHER SPRING 10MM H.D ZP | 1 |
| 33 | CFA00024 | SETSCREW M10X25 ZP | 1 |
| 34 | CBE00002 | BUFFER RUBBER 50X21 M10X28 | 1 |
| 35 | CFA00032 | SETSCREW M12X30 ZP | 2 |
| 36 | CHY02008 | ADAPTOR 1/2" M 3/8" M | 1 |
| 37 | CHY00053 | WASHER DOWTY 112" | 2 |
| 38 | CVA03011 | ACCUMULATOR 0.7 LITRE 70 BAR | 1 |
| 39 | CFA00118 | GREASE NIPPLE M8X1.25 STRAIGHT | 1 |
| 40 | CFA00222 | WASHER FLAT 14MM ZP | 1 |

| No. | Part No | Description | Qty |
|-----|---------|-------------|-----|
|-----|---------|-------------|-----|

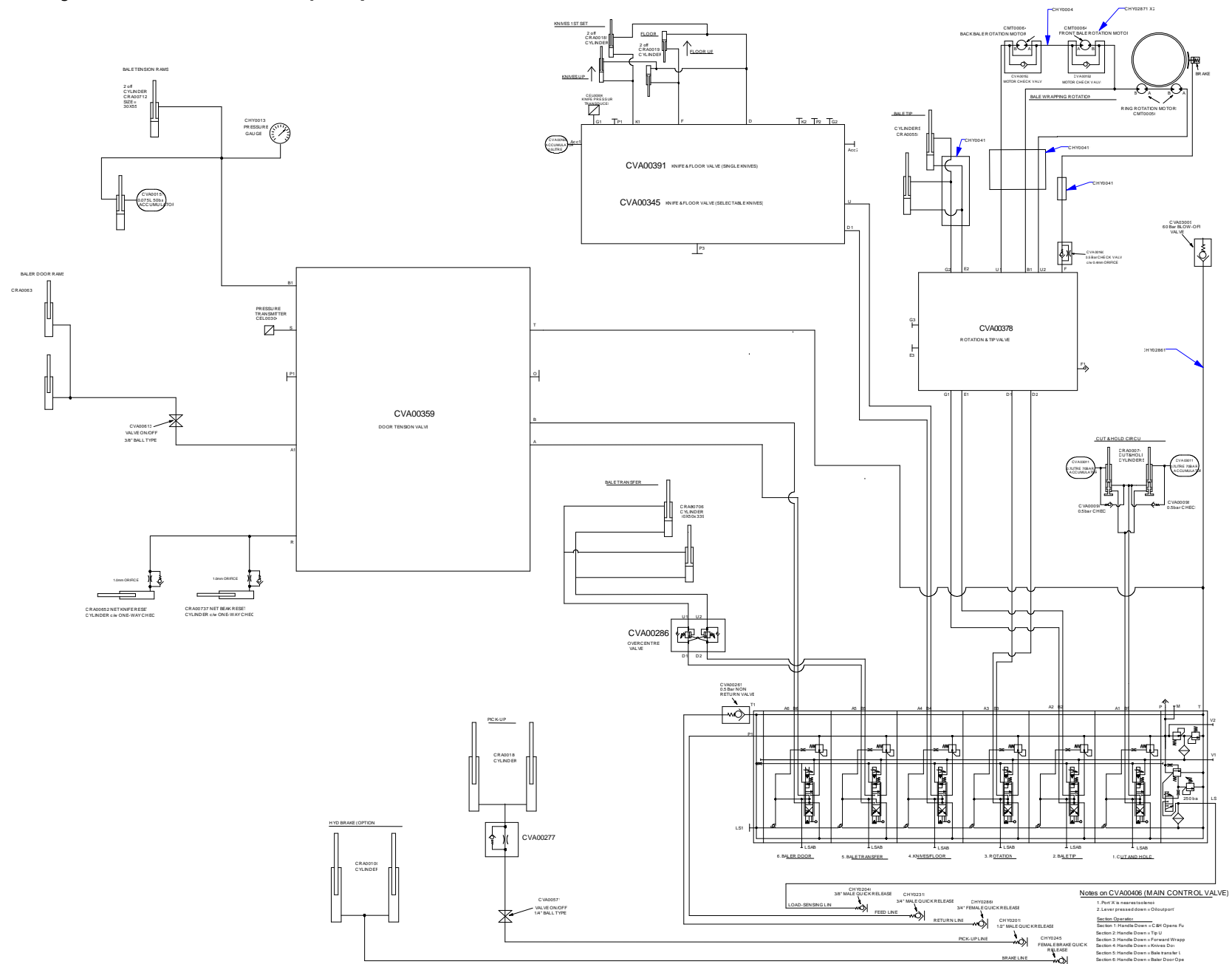
Side tip [From Serial No 657661] (894)



| No. | Part No | Description | Qty |
|--|----------|--------------------------------------|-----|
| 0 | ABD00092 | SIDETIP COMPLETE ALL FUSIONS | 1 |
| <i>SIDE TIP ASSEMBLY COMPLETE FOR ALL FUSION MODELS REGARDLESS OF SERIAL NO (INCLUDES ALL ITEMS)</i> | | | |
| 1 | ABD00048 | FUSION 2 SIDETIP GROUND SUPPORT | 1 |
| 2 | ABD00050 | LATCH SIDE TIP DROP BAR | 2 |
| 3 | ABD00071 | SIDE TIP FUSION/VARIO WELD ASSY | 1 |
| 4 | ABD00073 | FUSION/VARIO SIDE TIP TRANSPORT PIN | 1 |
| 5 | ABD00078 | BOBBIN AXLE BUSH BRKT FUSION SIDETIP | 1 |
| 6 | ABD00079 | FUSION 3/VARIO SIDETIP EXTENDED BAR | 1 |
| 7 | ABD00080 | FUSION 3/VARIO SIDETIP SAFETY PIN | 1 |
| 8 | ABD00082 | PIN FOR ABD00072 SIDE TIP FUSION | 1 |
| 9 | ACH01346 | BOBBIN BRACKET WELD ASSY LEFT | 1 |
| 10 | ACH01347 | BOBBIN BRACKET WELD ASSY RIGHT | 1 |
| 11 | ART00362 | BOBBIN ASY BIG 30MM COMPLETE | 2 |
| <i>FOR FUSION VARIO MOVE BOBBINS FROM REAR CRADLE (NOT INCLUDED IN ADB00092)</i> | | | |
| 11 | ART00363 | BOBBIN ASY SMALL 30MM COMPLETE | 2 |
| <i>STD FUSION 3 ONLY (NOT REQUIRED FOR FUSION VARIO)</i> | | | |
| 12 | CBC00005 | CAP PLASTIC INSERT 42.4MM RND | 2 |
| 13 | CBC00008 | CAP PLASTIC INSERT 75MM | 2 |
| 14 | CBC00021 | CAP SQ PLASTIC INSERT 80 X 50 | 1 |
| 15 | CBR00001 | BEARING 6007 2RS | 4 |
| 16 | CBR00024 | BEARING 62062RS | 4 |
| 17 | CEL00989 | DOUBLE PUSH BUTTON SWITCH | 1 |
| <i>SWITCH USED FOR EXTERNAL TIP CRADLE CONTROL FOR FOLDING SIDETIP TO WORK/TRANSPORT POSITION</i> | | | |
| 18 | CFA00016 | BOLT M10X35 | 2 |
| 19 | CFA00024 | SETSCREW M10X25 Z/P | 2 |
| 20 | CFA00025 | SETSCREW M10X30 | 1 |
| 21 | CFA00027 | BOLT M10X60 Z/P | 2 |
| 22 | CFA00028 | BOLT M10X65 Z/P | 1 |
| 23 | CFA00033 | SETSCREW M12X35 Z/P | 1 |
| 24 | CFA00123 | NUT M10 NYLOC | 14 |
| 25 | CFA00124 | NUT M12 NYLOC | 9 |
| 26 | CFA00128 | NUT M16 NYLOC | 12 |
| 27 | CFA00134 | WASHER MUDWING M10X38MM OD | 2 |
| 28 | CFA00137 | WASHER SPRING 10MM HD Z/P | 2 |
| 29 | CFA00138 | WASHER FLAT 12MM Z/P | 11 |
| 30 | CFA00200 | U BOLT M16X80X50 Z/P | 2 |
| 31 | CFA00201 | WASHER FLAT 10 MM Z/P | 24 |
| 32 | CFA00202 | LINCH PIN 6MM | 3 |
| 33 | CFA00251 | WASHER SKM10 | 4 |
| 34 | CFA00311 | SETSCREW M10X35 Z/P | 7 |
| 35 | CFA00312 | SETSCREW M10X40 Z/P | 4 |
| 36 | CFA00324 | SETSCREW M12X40 Z/P | 7 |
| 37 | CFA00345 | ROLL PIN 6X30 Z/P | 2 |
| 38 | CFA00409 | BOLT M16 X 60 Z/P | 8 |
| 39 | CFA00514 | CIRCLIP 35MM EXTERNAL | 1 |
| <i>USED ON NEWER VERSIONS ONLY - REPLACES ITEM 62</i> | | | |
| 40 | CFA01084 | SAFETY LINCH PIN 8X42 | 2 |
| 41 | CGD00336 | PANEL GUARD LEFT REAR FUSION 3 | 1 |
| 42 | CGD00349 | PANEL GUARD RIGHT REAR FUSION 3 | 1 |
| 43 | CHY00020 | WASHER DOWTY 3/8" | 2 |

| No. | Part No | Description | Qty |
|--|----------|--------------------------------------|-----|
| 44 | CHY02002 | ADAPTOR 3/8" BSP M/M | 1 |
| 45 | CHY02098 | ADAPTOR 3/8" BSP M-F | 1 |
| 46 | CHY02807 | HA06-0460WJ-F0600N-F0690-000 | 1 |
| <i>NOT SHOWN</i> | | | |
| 47 | CMH00387 | PIN 25X120 MILLED FOR CAP Z/P | 1 |
| 48 | CMH00968 | BUSH 19X12.5X11 | 3 |
| 49 | CMH01183 | PIN 30X280 BOBBIN AXLE | 2 |
| 50 | CMH02592 | SHAFT 35 X 660 FUSION SIDETIP | 1 |
| 51 | CPL00008 | BOBBIN ASY BIG 30MM BEARING | 2 |
| <i>FOR FUSION VARIO MOVE BOBBINS FROM REAR CRADLE (NOT INCLUDED IN ADB00092)</i> | | | |
| 51 | CPL00038 | BOBBIN ASY SMALL 30MM BEARING | 2 |
| <i>STD FUSION 3 ONLY (NOT REQUIRED FOR FUSION VARIO) INCLUDES 2x ITEM 16</i> | | | |
| 52 | CPL00192 | BOBBIN ASSEMBLY 6007 BEARINGS | 2 |
| <i>INCLUDES 2x ITEM 15</i> | | | |
| 53 | CPL00224 | PLASTIC PIPE CATCH 88.9 | 1 |
| 54 | CRA00749 | FUSION SIDE-TIP SUSPENSION RAM | 1 |
| <i>INCLUDES ITEMS 55, 56 & 57</i> | | | |
| 55 | CRA00755 | ROD FOR CRA00749 | 1 |
| 56 | CRA00756 | CYL FOR CRA00749 | 1 |
| 57 | CSG00287 | SPRING COMP 12.7WDX63.5ODX16COILX320 | 1 |
| 58 | CSG00303 | SPRING EXT 4.47X40.3X240 OPEN EYES | 1 |
| <i>REPLACES CSG00207</i> | | | |
| 59 | CTP00070 | DUST CAP 170/60-8 VREDESTEIN | 1 |
| 60 | CVA00276 | VALVE NEEDLE 3/8 | 1 |
| 61 | CWH00037 | WHEEL 170/60-8 V64+ 6PLY PICK-UP | 1 |
| 62 | CXT00763 | TUBE 42.4X3X52 | 1 |
| <i>USED ON OLDER VERSIONS ONLY - REPLACED BY ITEM 39</i> | | | |
| 63 | CZD00121 | 4MM L CUT & TIE SPACER Z/P | 1 |
| 64 | CZD04329 | 4MM L WASHER 12.5X40X4 | 1 |
| 65 | CZF00292 | 6MM L CAP LONG FOR 25MM PINS | 1 |
| 66 | CZF04875 | 6MM L FUSION 2 SIDETIP BRACKET | 1 |
| 67 | CZH03852 | 10MM L SIDE TIP PLATE FUSION/VARIO | 2 |
| 68 | CZH04865 | 10MM L SIDE-TIP FUSION LATCH | 1 |
| 69 | CZH04868 | 10MM SIDE TIP PART | 2 |

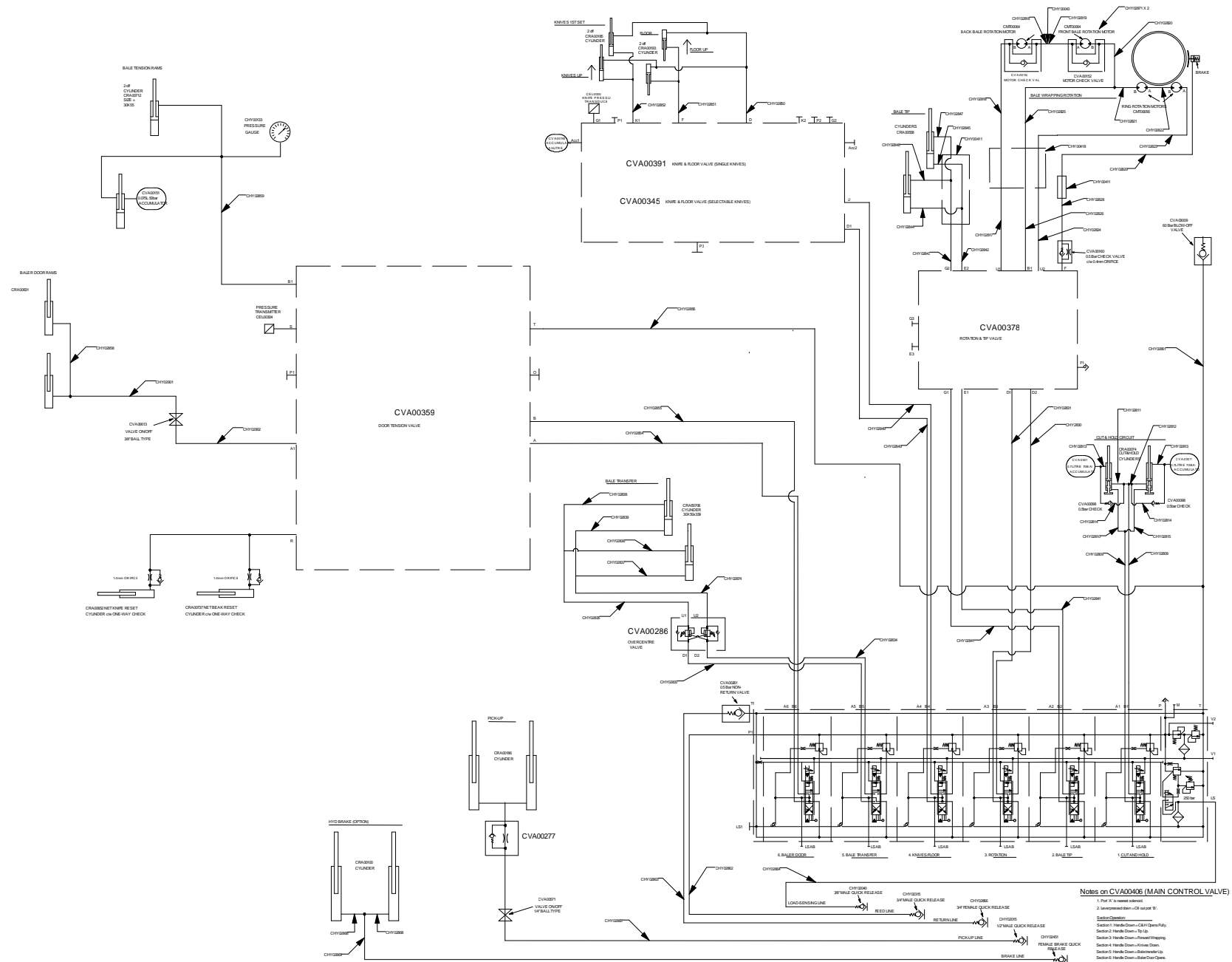
Hydraulic layout Fusion Vario (933)



| No. | Part No | Description | Qty |
|--|----------|---|-----|
| 1 | CEL00304 | PRESSURE TRANSMITTER 0-250BAR M12 CONNECTOR | 2 |
| 2 | CHY00043 | ADAPTOR BULKHEAD 1/2" BSP | 1 |
| 3 | CHY00133 | GAUGE PRESSURE 63 DIA FLANGE | 1 |
| 4 | CHY00411 | 1/4" STEEL PIPE ASSY FUSION3 WELD | 1 |
| 5 | CHY02015 | QR 1/2" MALE SHIELDED POPPET | 1 |
| 6 | CHY02040 | QUICK RELEASE 3/8" BSP MALE | 1 |
| 6a | CHY02032 | ADAPTOR 1/4 M 3/8 M | 1 |
| 7 | CHY02315 | 3/4" MALE QUICK RELEASE | 1 |
| 8 | CHY02451 | QUICK RELEASE TRAILER BRAKE FEMALE | 1 |
| 9 | CHY02866 | 3/4" FEMALE QUICK RELEASE | 1 |
| 10 | CHY02871 | ADAPTOR 1/2"M 1/2"F ROTARY FITTING ST/ST | 2 |
| 11 | CMT00056 | MOTOR 80CC WHEEL TAPER SHAFT | 2 |
| 12 | CMT00064 | MOTOR 625CC SIDE PORT 32SHAFT | 2 |
| 14 | CRA00074 | RAM CUT&HOLD 25X18 998/FUSION | 2 |
| 15 | CRA00100 | RAM BRAKE OPERATING 998/FUSION | 2 |
| 16 | CRA00185 | RAM KNIFE ACTUATION BW | 2 |
| 17 | CRA00186 | RAM PICKUP BALER | 2 |
| 18 | CRA00193 | RAM CHOPPER FLOOR 20X40 BW | 2 |
| 19 | CRA00558 | RAM 50X30 ROLLER CRADLE FUSION | 2 |
| 20 | CRA00631 | DOOR OPEN RAM V6 | 2 |
| 21 | CRA00652 | RAM RESET V6 | 1 |
| 22 | CRA00706 | RAM 50X30X339 BALE CRADLE | 2 |
| 23 | CRA00712 | BELT TENSION RAM V6 MKIII | 2 |
| 24 | CRA00737 | RAM NET FEED BEAK RESET VARIO | 1 |
| 26 | CVA00098 | VALVE NON RET 3/8" 0.5 BAR | 2 |
| 27 | CVA00151 | ACCUMULATOR 0.075 L 50 BAR | 1 |
| 28 | CVA00152 | VALVE CHECK ASY TG MOTOR SIDE | 2 |
| 29 | CVA00160 | VALVE CHECK 1/4" 0.4MM ORIFICE | 1 |
| 30 | CVA00165 | ACCUMULATOR 0.5 LITRE 25 BAR | 1 |
| 31 | CVA00261 | VALVE CHECK 3/4 0.5 BAR M/F | 1 |
| 32 | CVA00277 | VALVE CHECK 1.5 ORIFICE 1/4" | 1 |
| 33 | CVA00286 | VALVE OVERCENTER 3/8 DOUBLE | 1 |
| 34 | CVA00345 | VALVE SELECT KNIFE OPTION CTRL | 1 |
| <i>SELECTABLE KNIFE OPTION ONLY</i> | | | |
| 35 | CVA00359 | DOOR TENSION VALVE VARIO COMBI | 1 |
| 36 | CVA00378 | VALVE ASY ROTATION TIP VARIO | 1 |
| 37 | CVA00391 | VALVE ASSY KNIFE/FLOOR F3 SIN | 1 |
| 38 | CVA00406 | DPC130 6 BANK FUSION VARIO | 1 |
| <i>CVA00373 VALVE CAN ALSO BE USED BY REPLACING THE #6 SPOOL CVA00120 (ITEM 3) WITH CVA00404</i> | | | |
| 39 | CVA00571 | VALVE ON/OFF DN 06 BKH-G 1/4" | 1 |
| 40 | CVA00613 | VALVE 3/8 W LEVER LOCK & HOLES | 1 |
| 41 | CVA03009 | VALVE DUMP 60 BAR | 1 |
| 42 | CVA03011 | ACCUMULATOR 0.7 LITRE 70 BAR | 2 |

| No. | Part No | Description | Qty |
|-----|---------|-------------|-----|
|-----|---------|-------------|-----|

Hydraulic layout hoses Vario (934)

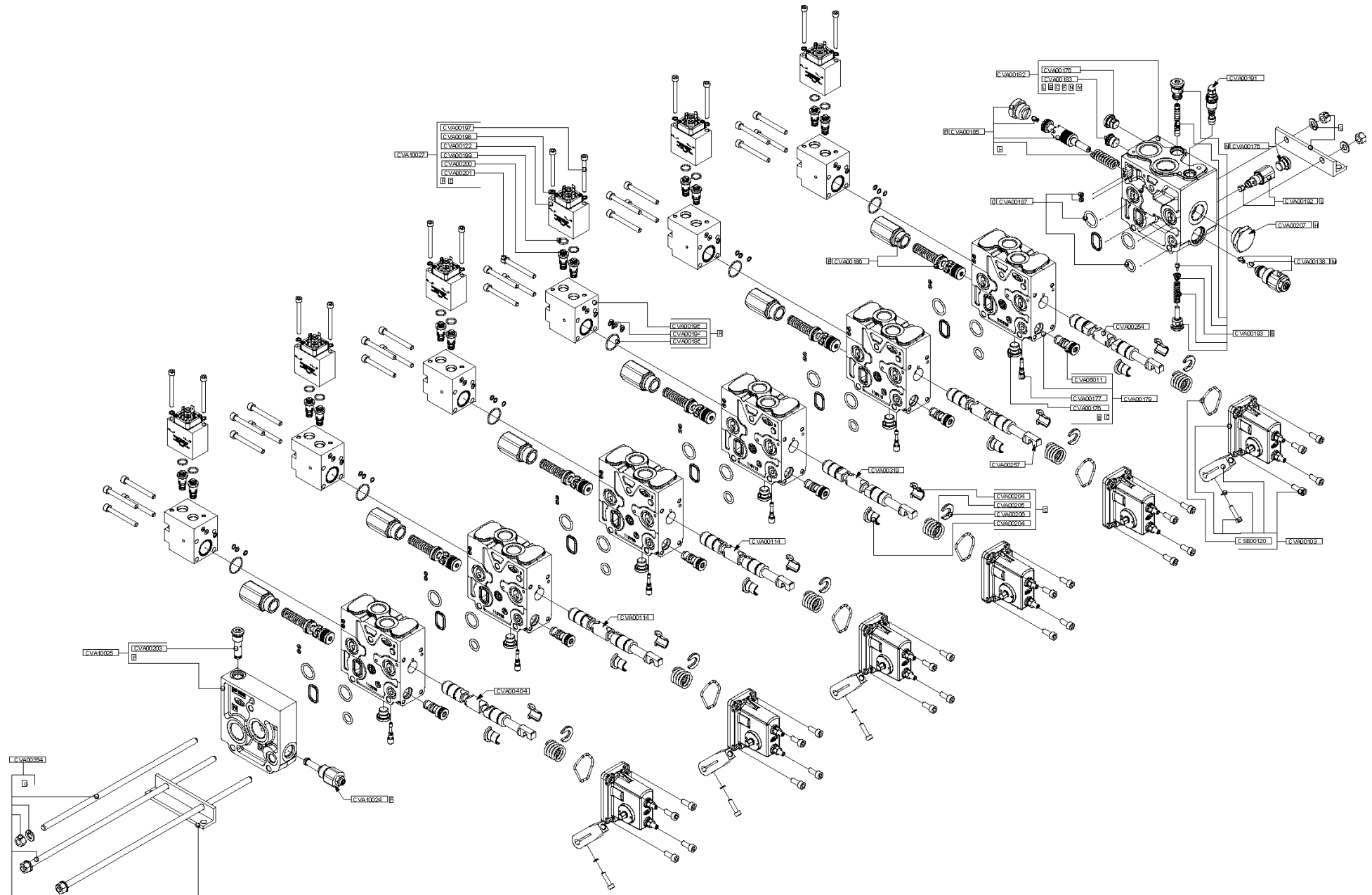


Notes on CVA00406 (MAIN CONTROL VALVE)
 1. Port A is bleed off
 2. Unpressurised - Off on port B
Section 1: Handle Down - CAH Open Fully
Section 2: Handle Down - TP Up
Section 3: Handle Down - Roll-over/Impingement
Section 4: Handle Down - Knives Down
Section 5: Handle Down - Bale Ram Up
Section 6: Handle Down - Bale Ram Down

| No. | Part No | Description | Qty |
|-----|----------|--|-----|
| 1 | CHY02809 | 3/8" HOSE 470MM ST/ST | 2 |
| 2 | CHY02810 | 3/8" HOSE 5300MM ST/ST | 1 |
| 3 | CHY02811 | 3/8" HOSE 5400MM ST/ST | 1 |
| 4 | CHY02812 | 3/8" HOSE 1260MM ST/ST | 1 |
| 5 | CHY02813 | 3/8" HOSE 420MM ST/90 | 2 |
| 6 | CHY02814 | 3/8" HOSE 290MM ST/ST | 2 |
| 7 | CHY02815 | 3/8" HOSE 1200MM ST/90 | 1 |
| 8 | CHY02817 | 1/2" HOSE 790MM ST/ST | 1 |
| 9 | CHY02818 | 1/2" HOSE 1330MM ST/45 | 2 |
| 10 | CHY02819 | 1/2" HOSE 2000MM ST/ST | 1 |
| 11 | CHY02820 | 1/2" HOSE 1250MM ST/ST | 1 |
| 12 | CHY02821 | 1/2" HOSE 2470MM ST/ST | 1 |
| 13 | CHY02822 | 1/2" HOSE 1620MM ST/ST | 1 |
| 14 | CHY02823 | 1/2" HOSE 1050MM ST/ST | 1 |
| 15 | CHY02824 | 1/2" HOSE 740MM ST/ST | 1 |
| 16 | CHY02825 | 1/2" HOSE 700MM ST/ST | 1 |
| 17 | CHY02826 | 1/2" HOSE 730MM ST/ST | 1 |
| 18 | CHY02828 | 1/4" HOSE 690MM ST/ST | 1 |
| 19 | CHY02829 | 1/4" HOSE 3100MM 90/90 ODEG | 1 |
| 20 | CHY02830 | 1/2" HOSE 820MM ST/ST | 1 |
| 21 | CHY02831 | 1/2" HOSE 900MM ST/ST | 1 |
| 22 | CHY02833 | 3/8" HOSE 800MM ST/ST | 1 |
| 23 | CHY02834 | 3/8" HOSE 850MM ST/ST | 1 |
| 24 | CHY02835 | 3/8" HOSE 2130MM ST/ST | 1 |
| 25 | CHY02836 | 3/8" HOSE 2650MM ST/90 | 1 |
| 26 | CHY02837 | 3/8" HOSE 2600MM ST/90 | 1 |
| 27 | CHY02838 | 3/8" HOSE 650MM ST/90 | 1 |
| 28 | CHY02839 | 3/8" HOSE 600MM ST/90 | 1 |
| 29 | CHY02841 | 3/8" HOSE 930MM ST/ST | 2 |
| 30 | CHY02842 | 1/4" HOSE 840MM ST/ST | 1 |
| 31 | CHY02843 | 1/4" HOSE 880MM ST/ST | 1 |
| 32 | CHY02844 | 1/4" HOSE 650MM ST/90 | 1 |
| 33 | CHY02845 | 1/4" HOSE 3080MM ST/90 | 1 |
| 34 | CHY02846 | 1/4" HOSE 700MM ST/90 | 1 |
| 35 | CHY02847 | 1/4" HOSE 3180MM ST/90 | 1 |
| 36 | CHY02849 | 1/4" HOSE 770MM ST/ST | 2 |
| 37 | CHY02850 | 1/4" HOSE 740MM ST/90 | 1 |
| 38 | CHY02851 | 1/4" HOSE 800MM ST/90 | 1 |
| 39 | CHY02852 | 1/4" HOSE 750MM ST/90 | 1 |
| 40 | CHY02854 | 3/8" HOSE 370MM ST/ST | 1 |
| 41 | CHY02855 | 3/8" HOSE 350MM ST/ST | 1 |
| 42 | CHY02856 | 3/8" HOSE 450MM ST/90 | 1 |
| 43 | CHY02858 | 3/8" HOSE 1400MM ST/ST | 1 |
| 44 | CHY02859 | 3/8" HOSE 2200MM ST/ST | 1 |
| 45 | CHY02861 | 3/8" HOSE 1100MM ST/ST 1/4" MALE - 3/8" FEMALE | 1 |
| 46 | CHY02862 | 5/8" HOSE 5300MM ST/ST 3/4" FEMALE - 3/4" FEMALE | 1 |
| 47 | CHY02863 | 3/4" HOSE 5200MM ST/ST 3/4" FEMALE - 3/4" FEMALE | 1 |
| 48 | CHY02864 | 1/4" HOSE 6000MM ST/BANJO 1/4" FEMALE - 1/4" BANJO | 1 |

| No. | Part No | Description | Qty |
|-----|----------|--|-----|
| 49 | CHY02865 | 1/4" HOSE 4310MM ST/ST 3/8" MALE - 1/4" FEMALE | 1 |
| 50 | CHY02868 | 1/4" HOSE 4300MM ST/90 | 2 |
| 51 | CHY02869 | 1/4" HOSE 3000MM ST/ST | 1 |
| 52 | CHY02874 | 3/8 HOSE 2000MM ST/ST | 1 |
| 53 | CHY02901 | 1/2" HOSE 2700MM 3/8" ST/90 | 1 |
| 54 | CHY02902 | 1/2" HOSE 2800MM 3/8" ST/90 | 1 |

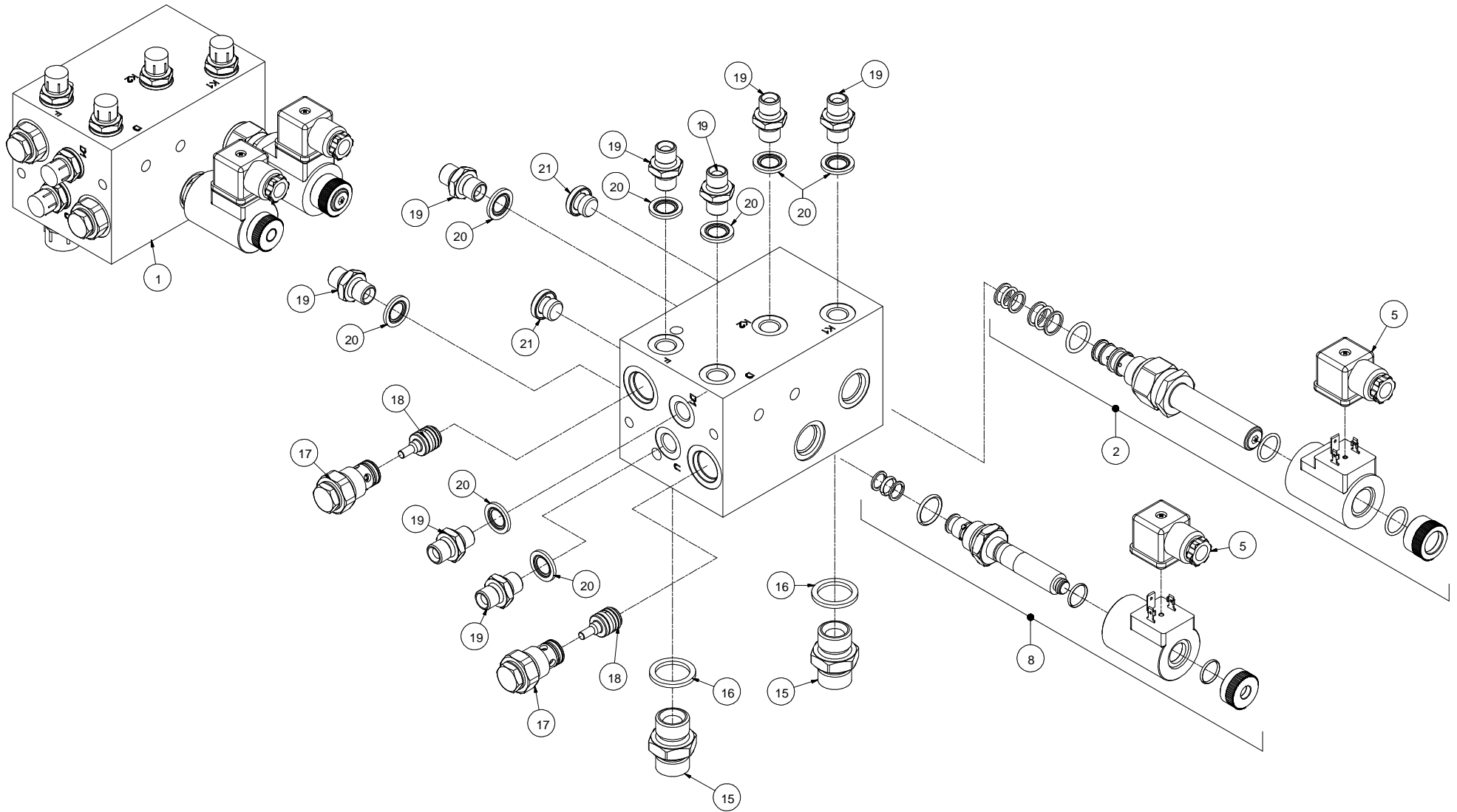
Hydraulic valve main control Vario CVA00406 (937)



| No. | Part No | Description | Qty |
|--|----------|------------------------------------|-----|
| 0 | CVA00406 | VALVE DPC130 6 BANK FUSION VARIO | 1 |
| <i>CVA00373 VALVE CAN ALSO BE USED BY REPLACING THE #6 SPOOL CVA00120 (ITEM 3) WITH CVA00404</i> | | | |
| 1 | CSE00120 | SEAL O-RING LEVER BOX DPC130 | 6 |
| 2 | CVA00114 | VALVE ASSY BALER DOOR | 1 |
| 3 | CVA00404 | SPOOL 60LIT OPEN TANK TYPE 2HS | 1 |
| 4 | CVA00122 | SOLENOID DPC130 | 6 |
| 5 | CVA00138 | PLUG OPEN/CLOSED DSK DPC130 | 1 |
| 6 | CVA00176 | PLUG BSP 1/4" | 3 |
| 7 | CVA00177 | FLOW LIMITER DPC130 | 6 |
| 8 | CVA00179 | VALVE SECTION DPC130 C10 | 6 |
| 9 | CVA00182 | INLET SECTION | 1 |
| 10 | CVA00183 | TAP M14 X 1.5 | 1 |
| 11 | CVA00185 | INLET COMPENSATION VALVE | 1 |
| 12 | CVA00186 | SECTION COMPENSATOR DPC130 | 6 |
| 13 | CVA00187 | SEAL KIT DPC130 "O" RINGS | 7 |
| 14 | CVA00191 | VALVE DPC130 (180-350BAR) | 1 |
| 15 | CVA00192 | FILTER LOAD SENSING DPC130 | 1 |
| 16 | CVA00193 | VALVE PRES REDUCING DPC130 | 1 |
| 17 | CVA00194 | O-RING SEAL 5 X 1.2MM PARKER | 6 |
| 18 | CVA00195 | O-RING SEAL 21.95MM X 1.78MM | 6 |
| 19 | CVA00196 | CONTROL MODULE DPC130 | 6 |
| 20 | CVA00197 | SOC CAP M5 X 55MM | 12 |
| 21 | CVA00198 | WASHER ELASTIC M5 | 12 |
| 22 | CVA00199 | O-RING SEAL 11.11MM X 1.78MM | 12 |
| 23 | CVA00200 | PRESSURE REDUCER DPC130 | 12 |
| 24 | CVA00201 | SOC CAP M6 X 55MM | 24 |
| 25 | CVA00203 | JOINT DPC130 | 1 |
| 26 | CVA00204 | OPEN BUSHING DPC130 | 12 |
| 27 | CVA00205 | SPRING DPC130 | 6 |
| 28 | CVA00206 | RING 11.2 X 23 X 3MM | 6 |
| 29 | CVA00207 | PLUG DPC130 | 1 |
| 30 | CVA00254 | SPOOL CUT & HOLD FUSION | 1 |
| 31 | CVA00354 | TIE ROD KIT VALVE CHEST FUS 6 BANK | 1 |
| 32 | CVA00257 | SPOOL CRADLE TIP FUSION | 1 |
| 33 | CVA00319 | SPOOL FUSION & FUSION2 ROTATION | 1 |
| 34 | CVA06011 | SENSING LINE SHUTTLE ALL DPC | 6 |
| 34 | CSE00138 | SEAL KIT DPC130 SHUTTLE VALVE | 1 |
| <i>SEAL KIT FOR SHUTTLE VALVE CVA06011</i> | | | |
| 35 | CVA10024 | CATRIDGE | 1 |
| 36 | CVA10025 | VALVE SECTION | 1 |
| 37 | CVA00103 | LEVER PIVOT BOX | 6 |
| 38 | CVA10027 | SOLENOID ASSY | 6 |
| 40 | CHY02008 | ADAPTOR 1/2" M 3/8" M | 10 |
| <i>PORTS A1, A2, A3, A5, A6, B1, B2, B3, B5 & B6</i> | | | |
| 40a | CHY00053 | WASHER DOWTY 1/2" | 12 |
| <i>PORTS A1 TO A6 & B1 TO B6</i> | | | |
| 41 | CHY02013 | ADAPTOR 1/2" BSP M/M | 2 |
| <i>PORTS A4 & B4</i> | | | |
| 42 | CHY02263 | ADAPTOR 3/8"M / 3/4"M | 2 |
| <i>PORTS P1 & T1</i> | | | |

| No. | Part No | Description | Qty |
|--------------------------|----------|-------------------|-----|
| 42a | CHY02012 | WASHER DOWTY 3/4" | 2 |
| <i>PORTS P1 & T1</i> | | | |

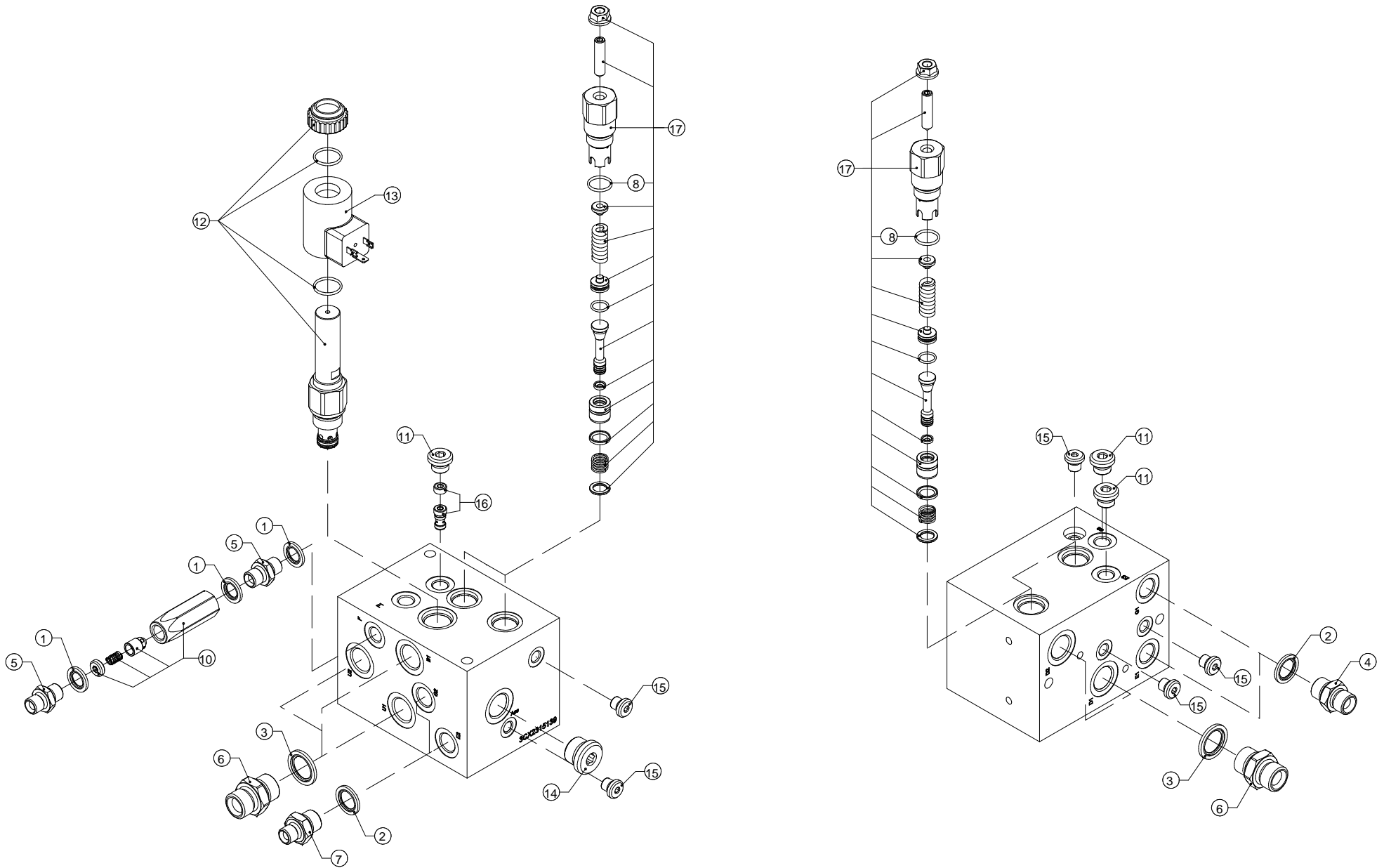
Hydraulic valve knives & floor [Selectable] CVA00345 (701)



| No. | Part No | Description | Qty |
|--------------------------------|----------|--------------------------------|-----|
| 1 | CVA00345 | VALVE 2 KNIFE OPTION CTRL | 1 |
| 2 | CVA00580 | VALVE DBL BLOCK 2-POS 3-WAY NC | 1 |
| <i>DOES NOT INCLUDE ITEM 5</i> | | | |
| 5 | CEL00605 | SOLENOID CONNECTOR 3-WAY EARTH | 2 |
| <i>SOLD SEPARATELY</i> | | | |
| 8 | CVA00338 | VALVE CTE DOUBLE CHECK NC | 1 |
| <i>DOES NOT INCLUDE ITEM 5</i> | | | |
| 15 | CHY02013 | ADAPTOR 1/2" BSP M/M | 2 |
| 16 | CHY00053 | WASHER DOWTY 1/2" | 2 |
| 17 | CVA00243 | CHECK VALVE CARTRIDGE FOR TIP | 2 |
| 18 | CVA00582 | PISTON | 2 |
| 19 | CHY02010 | ADAPTOR 1/4" BSP M/M | 8 |
| 20 | CHY00015 | WASHER DOWTY 1/4" | 8 |
| 21 | CVA00176 | PLUG BSP 1/4 ALLEN HD +SEAL | 2 |
| <i>REPLACES CHY02554</i> | | | |

| No. | Part No | Description | Qty |
|-----|---------|-------------|-----|
|-----|---------|-------------|-----|

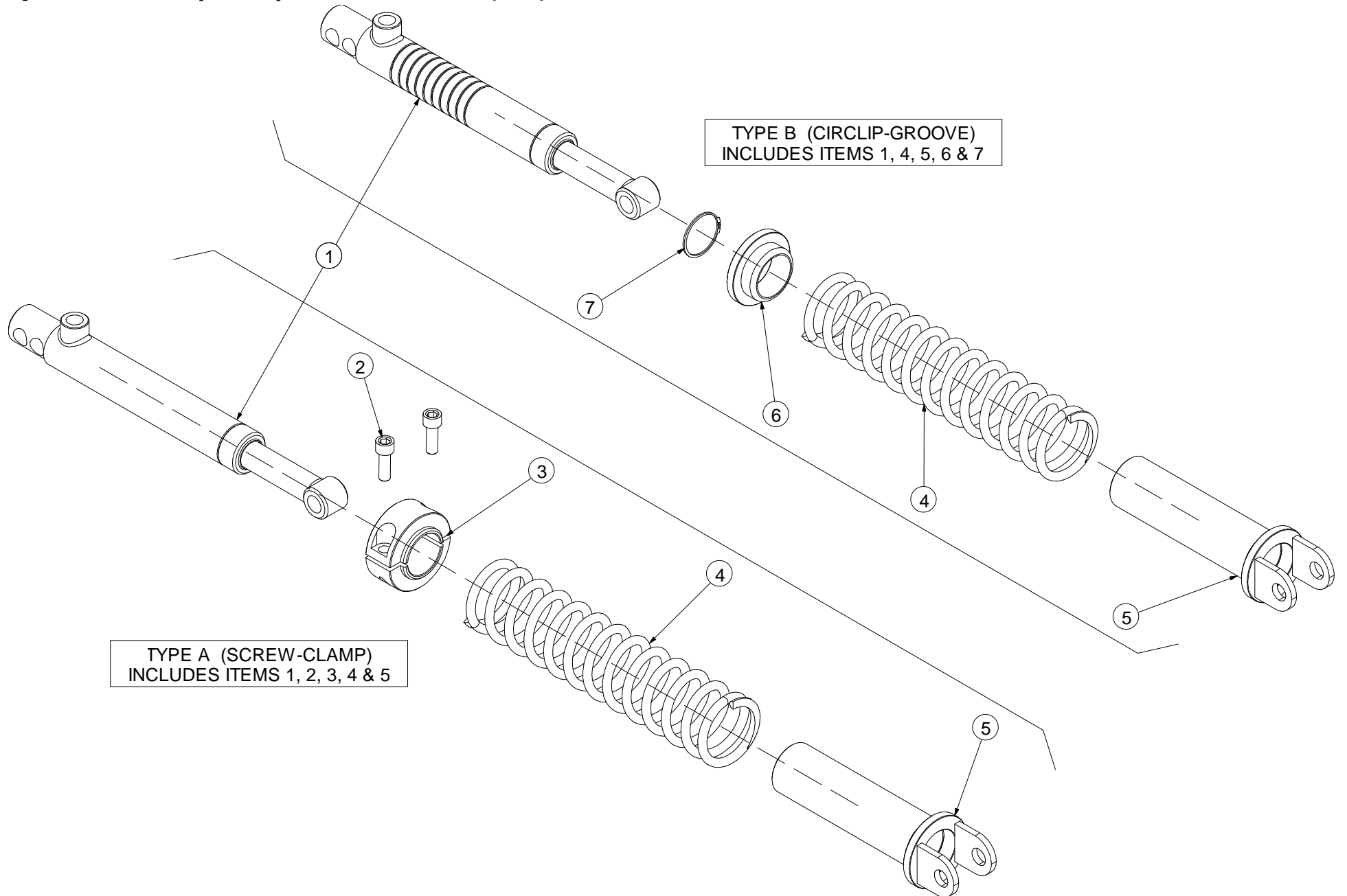
Hydraulic valve rotation & tip CVA00378 (938)



| No. Part No | Description | Qty |
|------------------------------------|--------------------------------|-----|
| 0 CVA00378 | VALVE ASY ROTATION_TIP VARIO | 1 |
| <i>INCLUDES ITEMS 1 THROUGH 17</i> | | |
| 1 CHY00015 | WASHER DOWTY 1/4" | 3 |
| 2 CHY00020 | WASHER DOWTY 3/8" | 4 |
| 3 CHY00053 | WASHER DOWTY 1/2" | 5 |
| 4 CHY02002 | ADAPTOR 3/8" BSP M/M | 2 |
| 5 CHY02010 | ADAPTOR 1/4" BSP M/M | 2 |
| 6 CHY02013 | ADAPTOR 1/2" BSP M/M | 5 |
| 7 CHY02032 | ADAPTOR 1/4 M 3/8 M | 2 |
| 8 CSE00164 | O-RING 70 SH NBR 15.60X1.78 | 2 |
| 10 CVA00160 | VALVE CHECK 1/4" 0.4MM ORIFICE | 1 |
| 11 CVA00176 | PLUG BSP 1/4 ALLEN HD +SEAL | 3 |
| 12 CVA00252 | VALVE CTE ON/OFF NC CVA0157&94 | 1 |
| 13 CVA00253 | COIL FOR CTE VALVE ON CVA00157 | 1 |
| 14 CVA00304 | BSP 1/2 PLUG | 1 |
| 15 CVA00553 | BLANKING CAP 1/8" (OLEOSTAR) | 5 |
| 16 CVA00558 | SHUTTLE VALVE ASSY | 1 |
| 17 CVA00668 | VALVE OVER CENTRE ASM-CVA00378 | 4 |

| No. Part No | Description | Qty |
|-------------|-------------|-----|
|-------------|-------------|-----|

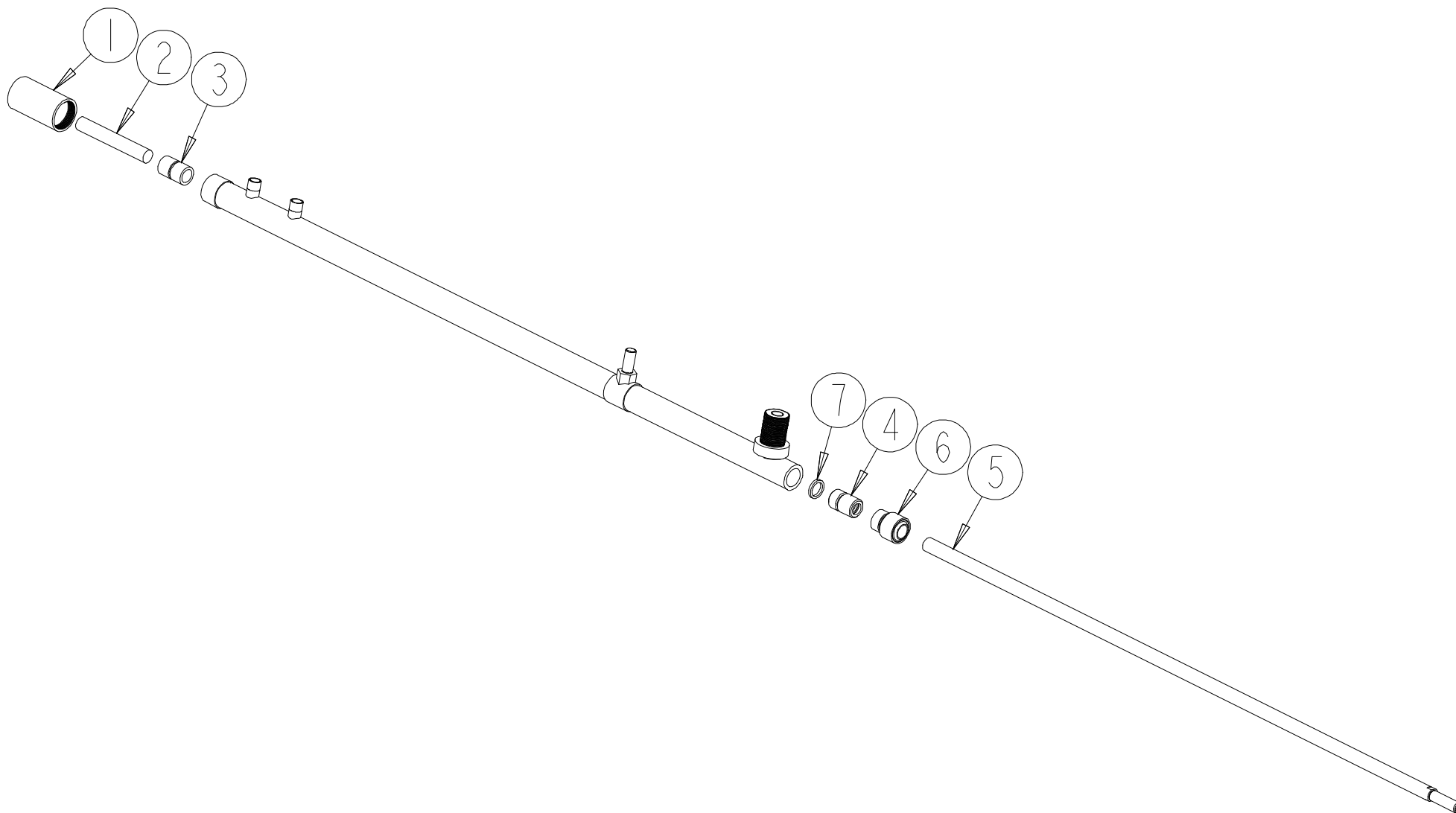
Hydraulic rams pick-up reel CRA00186 (182)



| No. | Part No | Description | Qty |
|--|----------|------------------------------|-----|
| 1 | CRA00186 | RAM PICKUP BALER | 1 |
| <i>COMPLETE RAM ASSEMBLY (MAY BE TYPE A OR TYPE B)</i> | | | |
| 2 | CFA00602 | SETSCREW M10X30 SOC CAP Z/P | 2 |
| <i>RAM TYPE A ONLY</i> | | | |
| 3 | ACH00405 | SPRING RETAINER RAM PICKUP | 1 |
| <i>RAM TYPE A ONLY</i> | | | |
| 4 | CSG00037 | SPRING COMP 8X67X300X14 | 1 |
| 5 | ACH00404 | SPRING RETAINER PICKUP | 1 |
| 6 | CPT00073 | SPRING RETAINER FOR CRA00186 | 1 |
| <i>RAM TYPE B ONLY</i> | | | |
| 7 | CFA00551 | CIRCLIP 40MM EXTERNAL | 1 |
| <i>RAM TYPE B ONLY</i> | | | |

| No. | Part No | Description | Qty |
|-----|---------|-------------|-----|
|-----|---------|-------------|-----|

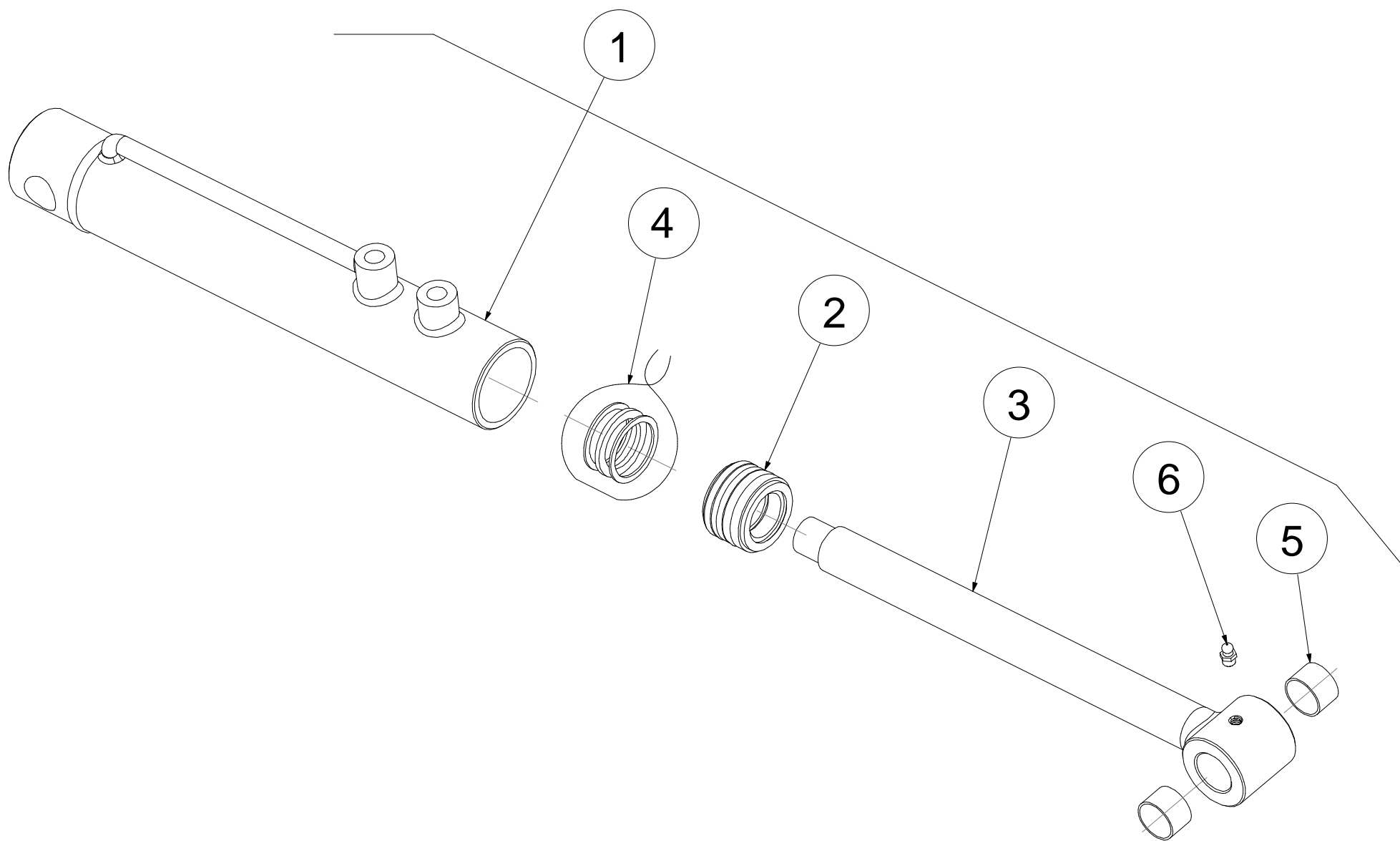
Hydraulic rams cut & hold CRA00074 (549)



| No. | Part No | Description | Qty |
|-----|----------|--------------------------------|-----|
| 0 | CRA00074 | RAM CUT & HOLD COMPLETE | 2 |
| 1 | CRA00106 | GLAND FOR CRA00074 BOTTOM | 1 |
| 2 | CRA00104 | RAM ROD BOTTOM FOR CRA00074 | 1 |
| 3 | CRA00102 | RAM PISTON FOR CRA00074 BOTTOM | 1 |
| 4 | CRA00101 | RAM PISTON FOR CRA00074 TOP | 1 |
| 5 | CRA00103 | RAM ROD TOP FOR CRA00074 | 1 |
| 6 | CRA00105 | SEAL GLAND TOP FOR CRA00115 | 1 |
| 7 | CSE00074 | SEAL KIT RAM CUT&HOLD | 1 |

| No. | Part No | Description | Qty |
|-----|---------|-------------|-----|
|-----|---------|-------------|-----|

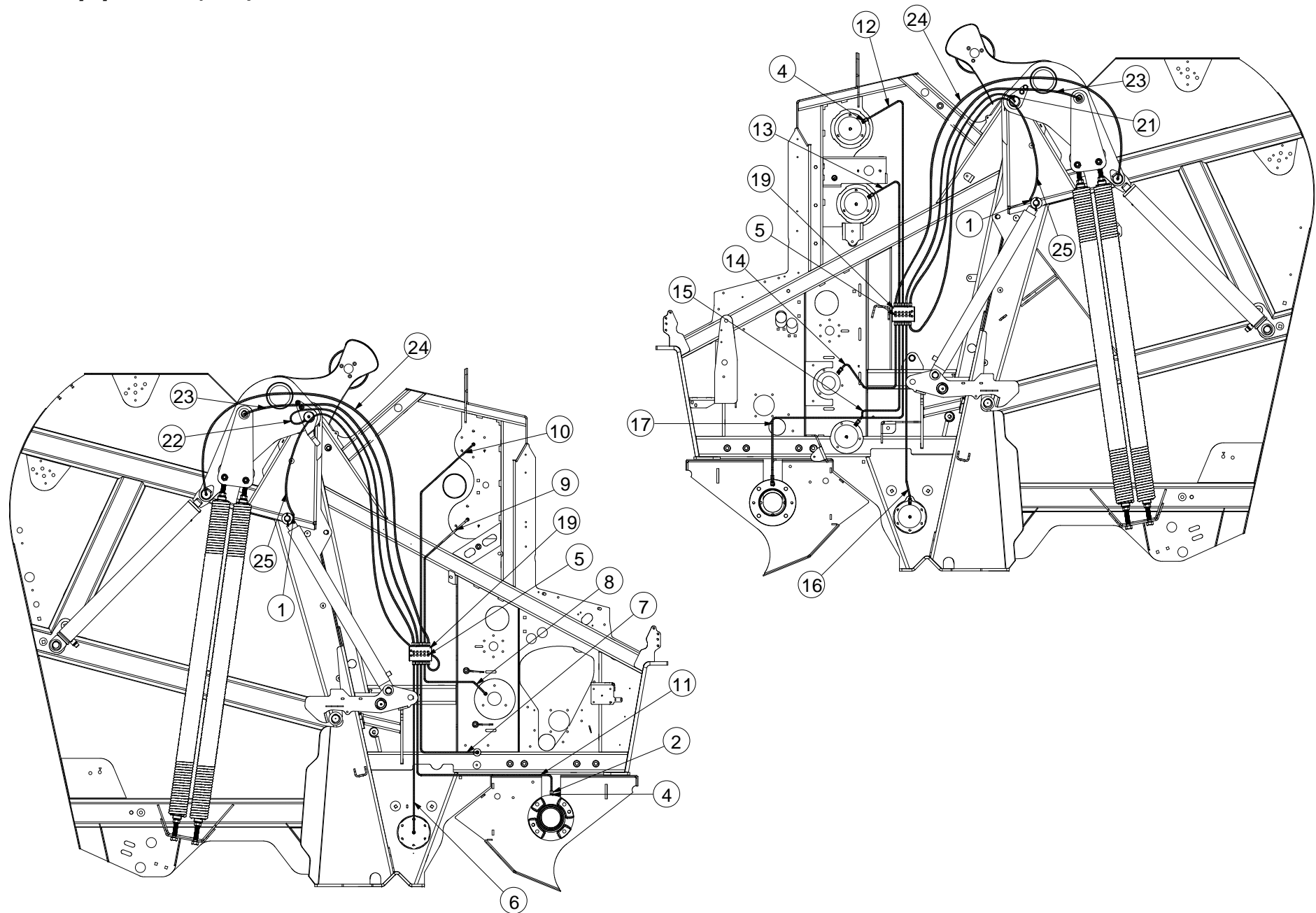
Hydraulic rams bale cradle CRA00558 (551)



| No. | Part No | Description | Qty |
|---|----------|--------------------------------|-----|
| 1 | CRA00558 | RAM 50X30 ROLLER CRADLE FUSION | 1 |
| <i>COMPLETE ASM (INCLUDES ITEMS 2, 3, 4, 5 & 6)</i> | | | |
| 2 | CRA00585 | CRADLE RAM CAP FUSION 2 | 1 |
| 3 | CRA00586 | CRADLE RAM ROD FUSION 2 | 1 |
| 4 | CSE00623 | SEAL KIT FOR RAM CRA00558 | 1 |
| <i>INCLUDES INSTRUCTIONS</i> | | | |
| 5 | CBR00040 | BEARING GLACIER PM 2520 DX | 2 |
| 6 | CFA00118 | GREASE NIPPLE M8X1.25 STRAIGHT | 1 |

| No. | Part No | Description | Qty |
|-----|---------|-------------|-----|
|-----|---------|-------------|-----|

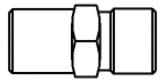
Grease pipes V6 (871)



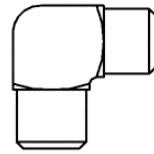
| No. | Part No | Description | Qty |
|--|----------|-------------------------------|-----|
| 1 | CFA00543 | 6MM X 1/8" 90° GREASE FITTING | 6 |
| 2 | CFA00544 | 1/8 BSP NUT STL PIPE | 40 |
| 3 | CFA00545 | 6MM OLIVE STL PIPE | 40 |
| 4 | CFA00549 | GREASE FITTING 6MM X 1/8" M/M | 34 |
| 5 | CFA00590 | GREASE NIPPLE 1/8" BSP ST | 20 |
| 6 | CHY00264 | GREASE PIPE ASSY RT ROLLER 5 | 1 |
| 7 | CHY00265 | GREASE PIPE ASSY RT ROLLER 4 | 1 |
| 8 | CHY00266 | GREASE PIPE ASSY RT ROLLER 3 | 1 |
| 9 | CHY00267 | GREASE PIPE ASSY RT ROLLER 2 | 1 |
| 10 | CHY00268 | GREASE PIPE ASSY RT ROLLER 1 | 1 |
| 11 | CHY00269 | GREASE PIPE ASSY RT ROTOR | 1 |
| 12 | CHY00270 | GREASE PIPE ASSY LT ROLLER 1 | 1 |
| 13 | CHY00271 | GREASE PIPE ASSY LT ROLLER 2 | 1 |
| 14 | CHY00272 | GREASE PIPE ASSY LT ROLLER 3 | 1 |
| 15 | CHY00273 | GREASE PIPE ASSY LT ROLLER 4 | 1 |
| 16 | CHY00274 | GREASE PIPE ASSY LT ROLLER 5 | 1 |
| 17 | CHY00275 | GREASE PIPE ASSY LT ROTOR | 1 |
| 19 | CVA00567 | GREASE BLOCK 10 WAY (MANUAL) | 2 |
| 21 | CHY01057 | 6X1240MM GREASE PIPE FLEX | 1 |
| <i>MAIN HINGE PIVOT LH SIDE (FLEX PIPE)</i> | | | |
| 22 | CHY01058 | 6X1420MM GREASE PIPE FLEX | 1 |
| <i>MAIN HINGE PIVOT RH SIDE (FLEX PIPE)</i> | | | |
| 23 | CHY01059 | 6X1520MM GREASE PIPE FLEX | 2 |
| <i>MAIN TENSION SPRING PIVOT (FLEX PIPE)</i> | | | |
| 24 | CHY01060 | 6X1840MM GREASE PIPE FLEX | 2 |
| <i>TENSION ARM RAM PIVOT (FLEX PIPE)</i> | | | |
| 25 | CHY01080 | 6X2015MM GREASE PIPE FLEX | 2 |
| <i>CHAMBER DOOR RAM PIVOT (FLEX PIPE)</i> | | | |

| No. | Part No | Description | Qty |
|-----|---------|-------------|-----|
|-----|---------|-------------|-----|

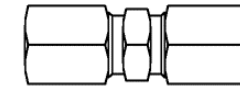
Oil & Grease fittings (553)



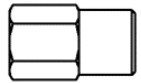
12



13



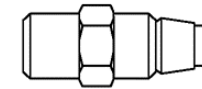
14



15



16



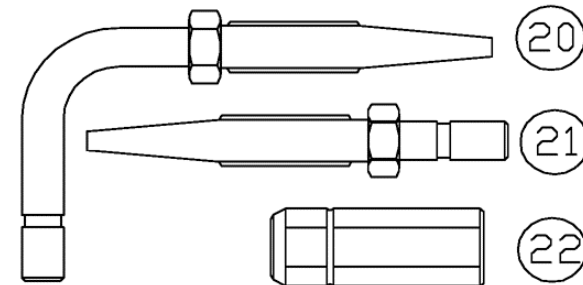
17



18



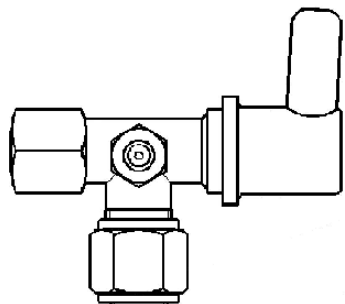
19



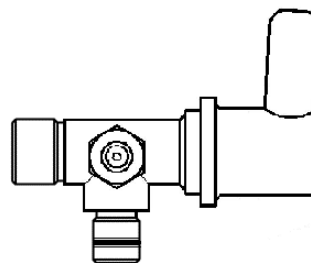
20

21

22



23

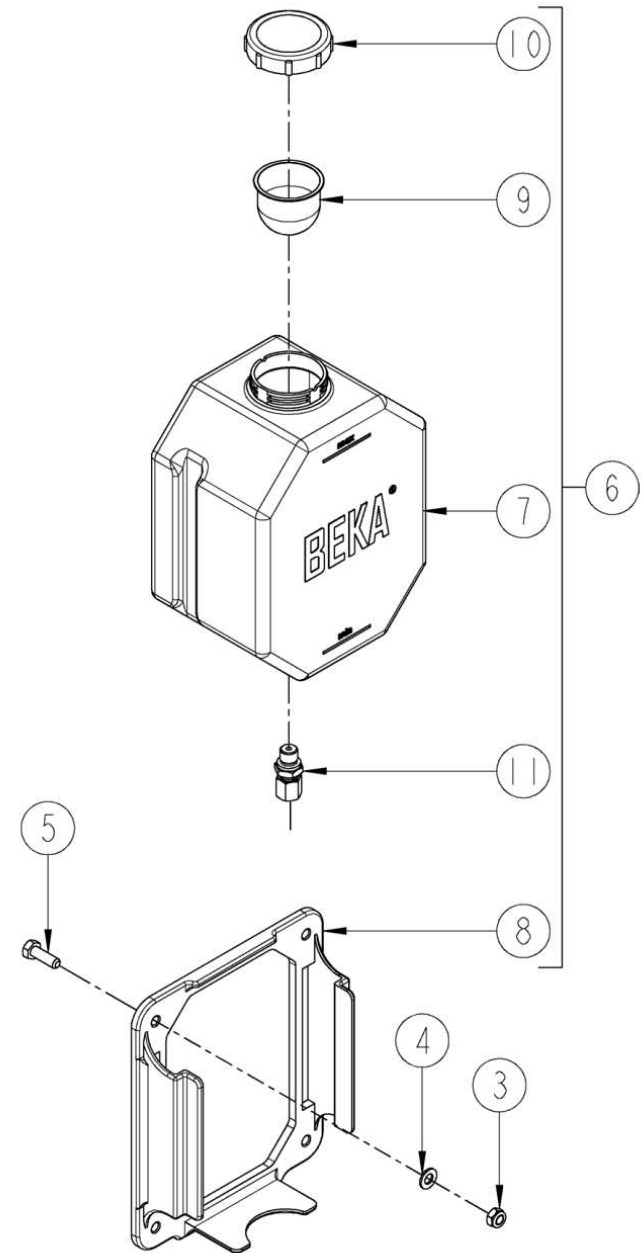
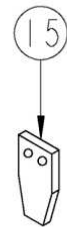
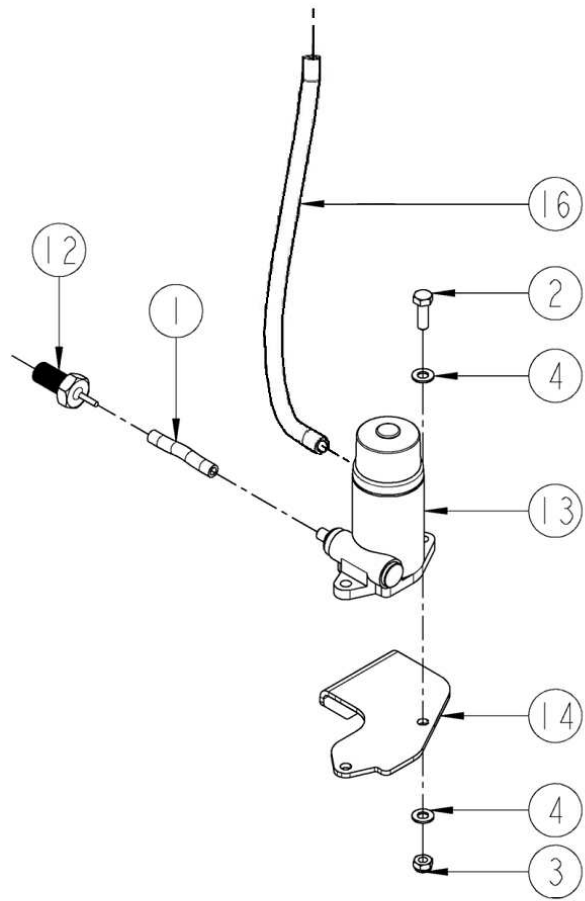


24

| No. | Part No | Description | Qty |
|-----|----------|--|-----|
| 12 | CFA00549 | 6LL FITTING STRAIGHT | 1 |
| 13 | CFA00543 | 6LL FITTING ELBOW | 1 |
| 14 | CFA00681 | 6LL UNION (COMPLETE) | 1 |
| 15 | CFA00682 | COMPRESSION NUT | 1 |
| 16 | CFA00544 | 6LL COUPLING NUT | 1 |
| 17 | CFA00648 | CHECK VALVE | 1 |
| 18 | CFA00683 | BRASS OLIVE | 1 |
| 19 | CFA00545 | STEEL OLIVE | 1 |
| 20 | CHY02323 | HOSE STUD ELBOW | 1 |
| 21 | CHY02324 | HOSE STUD STRAIGHT | 1 |
| 22 | CHY02325 | THREADED SLEEVE | 1 |
| 23 | CHY02612 | VALVE SVTE MANUAL GREASE NIPPLE | 1 |
| 24 | CHY02986 | VALVE SVTS-350-R1/8 MANUAL GREASE NIPPLE | 1 |

| No. | Part No | Description | Qty |
|-----|---------|-------------|-----|
|-----|---------|-------------|-----|

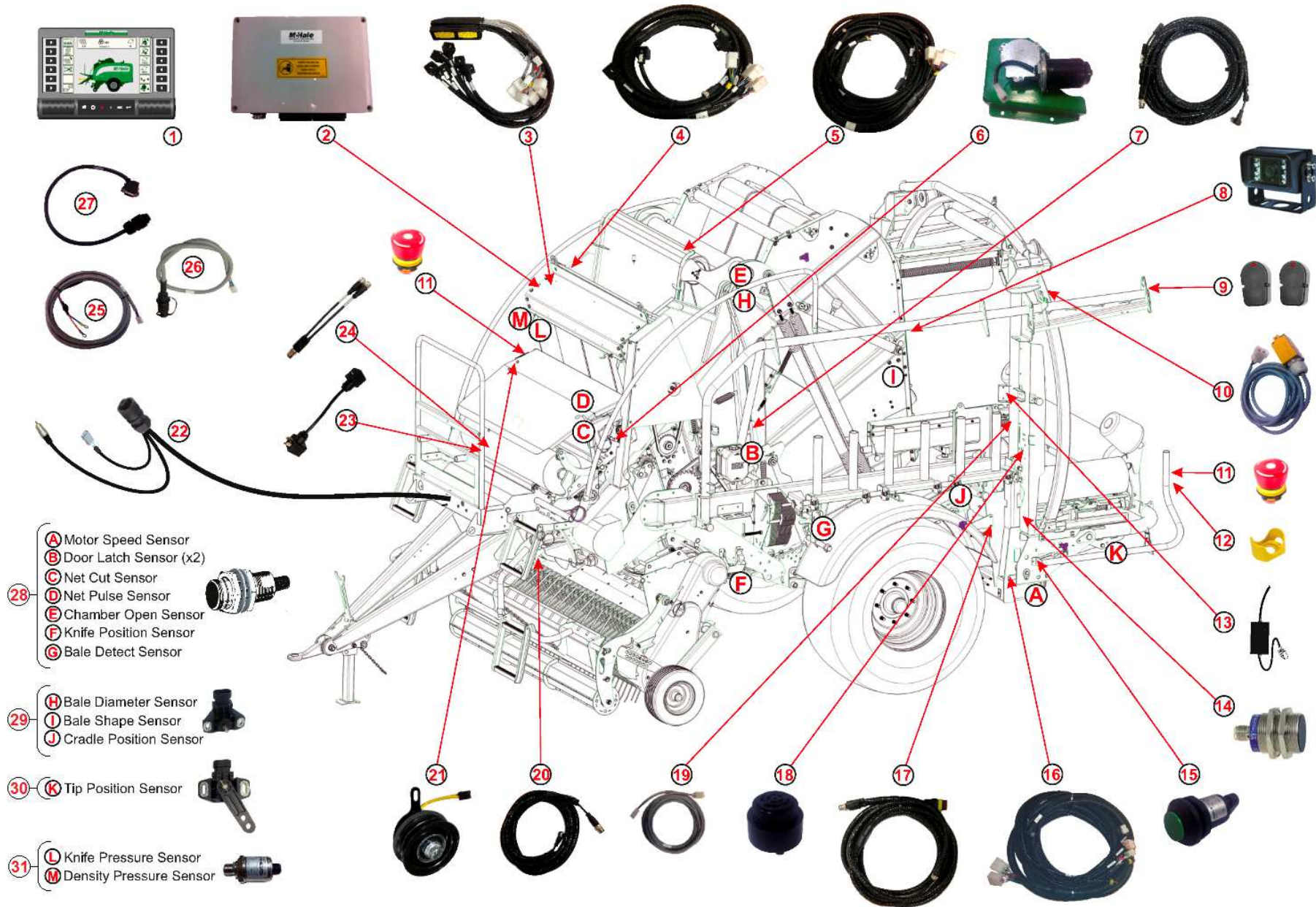
Oil system 1 (619)



| No. | Part No | Description | Qty |
|-----|----------|---|-----|
| 1 | CBE00172 | BEKA OIL PUMP DRIVE LINE PIPE | 1 |
| 1a | CFA00644 | JUBILEE CLIP 13MM-20MM | 2 |
| 2 | CFA00102 | SETSCREW M8X25 Z/P | 4 |
| 3 | CFA00132 | NUT M8 NYLOC Z/P | 8 |
| 4 | CFA00147 | WASHER FLAT 8MM Z/P | 12 |
| 5 | CFA00407 | BOLT M8X25 Z/P | 4 |
| 6 | CHY00868 | BEKA OIL TANK ASSY | 1 |
| 7 | CHY00869 | BEKA OIL TANK | 1 |
| 8 | CHY00870 | BEKA OIL TANK BRACKET | 1 |
| 9 | CHY00871 | BEKA OIL TANK FILTER | 1 |
| 10 | CHY00872 | BEKA OIL TANK CAP | 1 |
| 11 | CHY00873 | BEKA OIL TANK FITTING | 1 |
| 12 | CVA00563 | BEKA OIL PUMP DRIVE | 1 |
| 13 | CVA00659 | BEKA OIL PUMP (8:1 RATIO) | 1 |
| | | <i>REPLACES CVA00564</i> | |
| 13a | CBC00024 | SCREW CAP BLACK FOR CVA00564 | 1 |
| | | <i>REPLACEMENT BLACK SCREW CAP FOR TOP OF BEKA OIL PUMP</i> | |
| 13b | CVA10044 | THREADED ADJUSTER BEKA OIL PUMP | 1 |
| | | <i>REPLACEMENT THREADED ADJUSTER FOR BEKA OIL PUMP</i> | |
| 13c | CVA00573 | BEKA OIL PUMP GEARBOX | 1 |
| | | <i>REPLACEMENT BASE UNIT FOR BOTTOM OF BEKA OIL PUMP</i> | |
| 13d | CVA00574 | BEKA OIL PUMP SPUR GEAR | 1 |
| | | <i>REPLACEMENT SPUR GEAR FOR BEKA OIL PUMP</i> | |
| 14 | CZD04357 | 4MM OIL PUMP BRACKET BELT BALER | 1 |
| 15 | CHY01061 | OIL WICK KIT FULL BALER RANGE | 1 |
| | | <i>CONTAINS 4 SEPARATE WICKS FOR ANY MCHALE BALER MODEL (REPLACES CHY00609 SINGLE WICK)</i> | |
| 16 | CHY00892 | TUBE 10X8X300 OILER TANK | 1 |
| 16a | CVA10046 | PUSH FITTING 10 G 1/8 BEKA OIL PUMP | 1 |
| 17 | CHY02881 | POLYAMIDE 4MM FLEXI OILER PIPE | 1 |
| 17a | CVA10045 | PUSH FITTING 4 G 1/8 BEKA OIL PUMP | 1 |

| No. | Part No | Description | Qty |
|-----|---------|-------------|-----|
|-----|---------|-------------|-----|

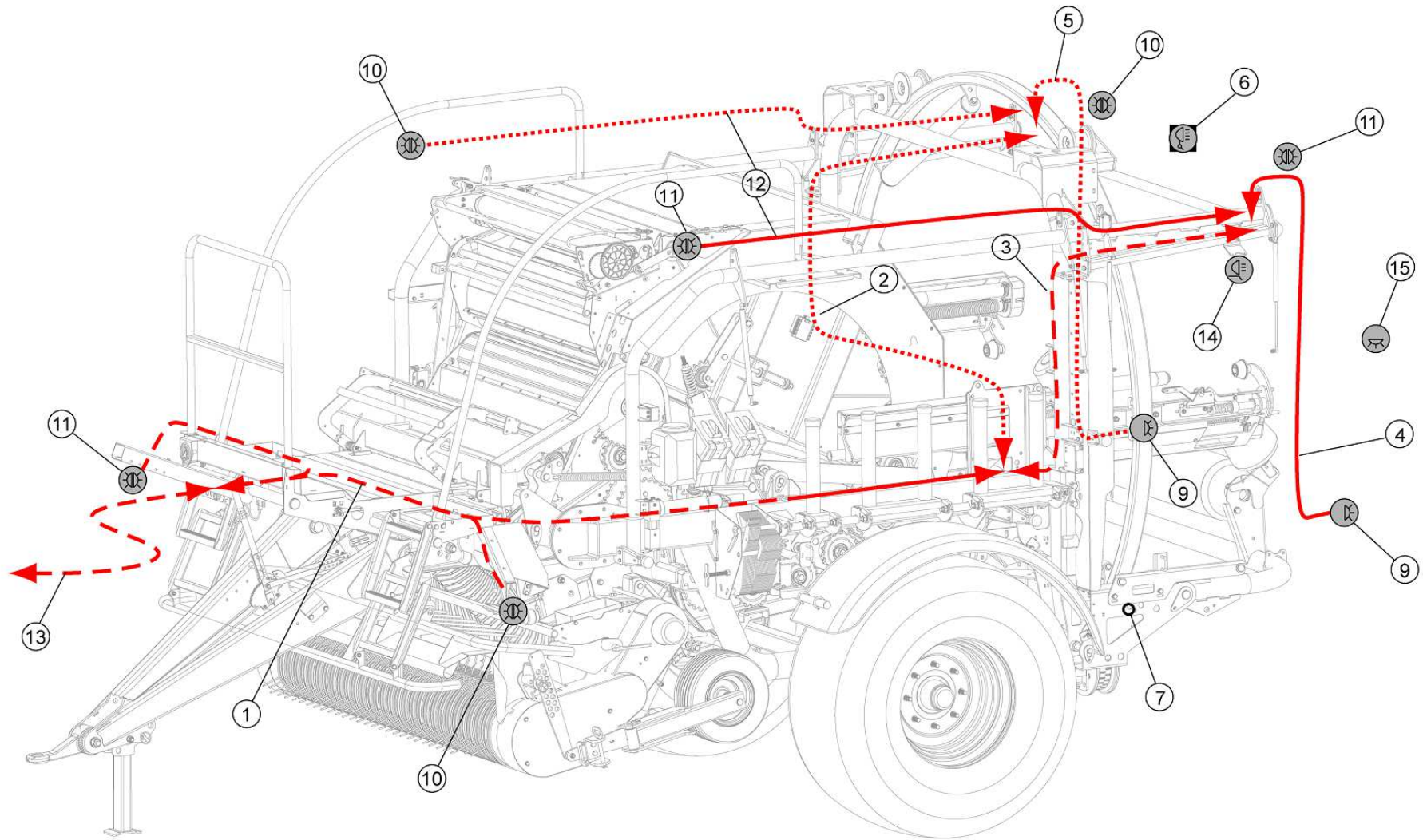
Electrical control (931)



| No. | Part No | Description | Qty |
|--|----------|---|-----|
| 1 | CEL00750 | ISOCAN DISPLAY TERMINAL | 1 |
| 2 | CEL00751 | ISOCAN ECU | 1 |
| 3 | CEL00885 | ECU ADAPTOR LOOM VARIO | 1 |
| 4 | CEL00886 | REAR LOOM FUSION VARIO | 1 |
| 5 | CEL00888 | CHAMBER LOOM VARIO | 1 |
| 6 | CEL00648 | MOTOR NET CUT UNIT | 1 |
| 7 | CEL00915 | PROXIMITY SENSOR SPLITTER, NPN | 1 |
| 8 | CEL00900 | COLOUR CAMERA | 1 |
| 8a | CEL00903 | CAMERA-ISOCAN SIGNAL CABLE | 1 |
| 8b | CZC02558 | 3MM CAMERA BRACKET VARIO | 1 |
| <i>CAMERA MOUNTING BRACKET</i> | | | |
| 8c | CFA00952 | U-BOLT M10 60.3 TUBE | 1 |
| <i>CAMERA MOUNTING CLAMP</i> | | | |
| 8d | CFA00391 | SETSCREW M4X16 ZP | 1 |
| <i>CAMERA MOUNTING SCREWS</i> | | | |
| 8e | CFA00392 | NUT M4 NYLOC | 1 |
| <i>CAMERA MOUNTING NUTS</i> | | | |
| 8f | CFA00083 | WASHER FLAT 4MM ZP | 1 |
| 9 | CEL00221 | TRANSMITTER EVEN/GEAR COVER | 1 |
| 9 | CEL00222 | TRANSMITTER ODD/GEAR COVER | 1 |
| 10 | CEL00820 | SWITCH ASSY, SAFETY, DOOR, FUSION II | 1 |
| 11 | CEL00809 | E-STOP, 2WAY AMP CONNECTOR | 2 |
| 12 | CEL00930 | EMERGENCY STOP PROTECTIVE SHROUD | 1 |
| 13 | CEL00230 | RECEIVER RADIO FILM BREAK | 1 |
| 14 | CEL00768 | SENSOR M30 PROX M12 PLUG | 1 |
| 15 | CEL00659 | 30MM INDEX BUTTON | 1 |
| 16 | CEL00887 | FRONT LOOM VARIO | 1 |
| 17 | CEL00889 | CRADLE LOOM VARIO | 1 |
| 18 | CEL00796 | WARNING BUZZER SINGLE TONE | 1 |
| 19 | CEL00959 | FUSION E-STOP EXTENSION | 1 |
| 20 | CEL00927 | M12 EXTENSION CABLE 1.7M | 1 |
| <i>STANDARD MACHINE ONLY (REPLACES CEL00890)</i> | | | |
| 20 | CEL00891 | SELECTABLE KNIFE SENSOR ADAPTOR | 1 |
| <i>SELECTABLE KNIFE MACHINE ONLY</i> | | | |
| 21 | CEL00259 | MAGNETIC CLUTCH UNIT 12V | 1 |
| 22 | CEL00913 | ISOCAN ECU LOOM W/CAMERA CABLE | 1 |
| 23 | CEL00892 | Y SPLITTER SOLENOID CONNECTOR | 1 |
| <i>SELECTABLE KNIFE MACHINE ONLY</i> | | | |
| 24 | CEL00893 | Y SPLITTER, PRESSURE SENSOR | 1 |
| <i>SELECTABLE KNIFE MACHINE ONLY</i> | | | |
| 25 | CEL00914 | ISOCAN BATTERY POWER LEAD | 1 |
| 26 | CEL00853 | EURO LEAD, HEAVY DUTY, ISOCAN, 2WAY 90DEG | 1 |
| 27 | CEL00780 | ISOCAN TERMINAL LOOM | 1 |
| 28 | CEL00767 | SENSOR M18 PROX M12 PLUG | 7 |
| <i>A, B, C, D, E, F & G SENSORS</i> | | | |
| 29 | CEL00785 | ANGLE SENSOR, 120DEG, 0.5-4.5VOLT | 3 |
| <i>H, I & J SENSORS</i> | | | |
| 30 | CEL00833 | ANGLE SENSOR + ARM ASSEMBLY | 1 |
| <i>K SENSOR</i> | | | |
| 31 | CEL00304 | PRESSURE TRANSMITTER 0-250BAR M12 CONNECTOR | 2 |
| <i>L & M SENSORS</i> | | | |

| No. | Part No | Description | Qty |
|-----|---------|-------------|-----|
|-----|---------|-------------|-----|

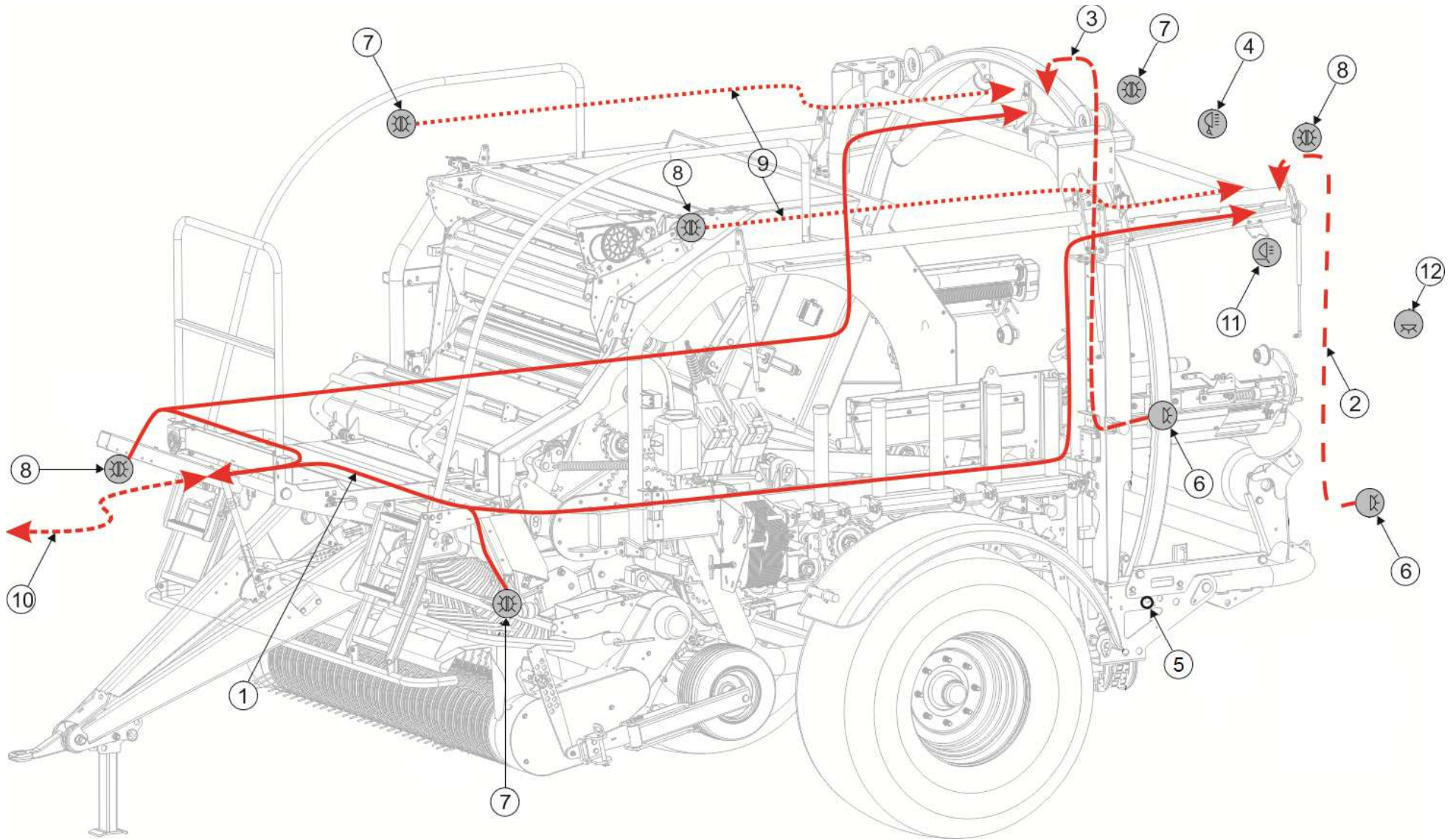
Electrical lighting kit [On Fusion 3 up to S No 659431 & Fusion Vario up to S No 900095] (816)



| No. | Part No | Description | Qty |
|---|----------|---------------------------------------|-----|
| 1 | CEL00800 | LIGHTING LOOM FUSION 3 MAIN | 1 |
| 2 | CEL00801 | LIGHTING LOOM FUSION 3 CROSS | 1 |
| 3 | CEL00802 | LIGHTING LOOM FUSION 3 LEFT | 1 |
| 4 | CEL00803 | LIGHTING LOOM FUSION 3 LH PLUG | 1 |
| 5 | CEL00804 | LIGHTING LOOM FUSION 3 RH PLUG | 1 |
| 6 | CEL00849 | FIELD LAMP LED SQUARE 5X3W | 1 |
| <i>OPTIONAL</i> | | | |
| 6a | CZC04715 | 3MM L LAMP MOUNTING PLATE | 2 |
| <i>(NOT SHOWN) USED WITH ITEM 6 OPTION ONLY</i> | | | |
| 6b | CFA00052 | SETSCREW M8X20 ZP | 4 |
| <i>(NOT SHOWN) USED WITH ITEM 6 OPTION ONLY</i> | | | |
| 6c | CFA00147 | WASHER FLAT 8MM ZP | 8 |
| <i>(NOT SHOWN) USED WITH ITEM 6 OPTION ONLY</i> | | | |
| 6d | CFA00132 | NUT M8 NYLOC Z/P | 4 |
| <i>(NOT SHOWN) USED WITH ITEM 6 OPTION ONLY</i> | | | |
| 7 | CEL00880 | SWITCH ASM REAR FIELD LAMP LED | 1 |
| <i>(INCLUDES LOOM) USED WITH ITEM 6 OPTION ONLY</i> | | | |
| 9 | CEL00831 | TAIL LIGHT CIRCULAR LED FUSION 3 | 2 |
| <i>OPTIONAL</i> | | | |
| 10 | CEL00842 | MARKER LAMP STALK LHS FUSION 3 | 1 |
| 11 | CEL00843 | MARKER LAMP STALK RHS FUSION 3 | 1 |
| 12 | CEL00832 | LIGHTING LOOM EXTENSION UPPER MARKERS | 2 |
| <i>OPTIONAL</i> | | | |
| 13 | CEL00838 | LIGHT LOOM EXT FUSION 3 | 1 |
| 14 | CEL00227 | WORK LAMP FUSION | 1 |
| 15 | CEL00823 | REGISTRATION LIGHT FUSION 3 | 1 |
| <i>OPTIONAL</i> | | | |

| No. | Part No | Description | Qty |
|-----|---------|-------------|-----|
|-----|---------|-------------|-----|

Electrical lighting kit [On Fusion 3 from S No 659432 & Fusion Vario from S No 900096] (950)



| No. | Part No | Description | Qty |
|---|----------|----------------------------------|-----|
| 1 | CEL00958 | LIGHTING LOOM FUSION 3 MAIN | 1 |
| 2 | CEL00803 | LIGHTING LOOM FUSION 3 LH PLUG | 1 |
| 3 | CEL00804 | LIGHTING LOOM FUSION 3 RH PLUG | 1 |
| 4 | CEL00849 | FIELD LAMP LED SQUARE 5X3W | 1 |
| <i>OPTIONAL</i> | | | |
| 4a | CZC04715 | 3MM L LAMP MOUNTING PLATE | 2 |
| <i>(NOT SHOWN) USED WITH ITEM 4 OPTION ONLY</i> | | | |
| 4b | CFA00052 | SETSCREW M8X20 ZP | 4 |
| <i>(NOT SHOWN) USED WITH ITEM 4 OPTION ONLY</i> | | | |
| 4c | CFA00147 | WASHER FLAT 8MM ZP | 8 |
| <i>(NOT SHOWN) USED WITH ITEM 4 OPTION ONLY</i> | | | |
| 4d | CFA00132 | NUT M8 NYLOC Z/P | 4 |
| <i>(NOT SHOWN) USED WITH ITEM 4 OPTION ONLY</i> | | | |
| 5 | CEL00880 | SWITCH ASM REAR FIELD LAMP LED | 1 |
| <i>(INCLUDES LOOM) USED WITH ITEM 4 OPTION ONLY</i> | | | |
| 6 | CEL00831 | TAIL LIGHT CIRCULAR LED FUSION 3 | 2 |
| <i>OPTIONAL</i> | | | |
| 7 | CEL00842 | LED MARKER LAMP STALK LHS | 1 |
| 8 | CEL00843 | LED MARKER LAMP STALK RHS | 1 |
| 9 | CEL00832 | LIGHTING LOOM EXT UPPER MARKERS | 2 |
| <i>OPTIONAL</i> | | | |
| 10 | CEL00838 | LIGHT LOOM EXT FUSION 3 | 1 |
| 11 | CEL00227 | WORK LAMP FUSION | 1 |
| 12 | CEL00823 | REGISTRATION LIGHT FUSION 3 | 1 |
| <i>OPTIONAL</i> | | | |

| No. | Part No | Description | Qty |
|-----|---------|-------------|-----|
|-----|---------|-------------|-----|

Decals 1 (819)

Rotating Elements
(CST00014)

DANGER

ATTENZIONE! ELEMENTI ROTATIVI. DANGER PAR SUITE DE PROJECTION DE CORPS ÉTRANGERS. ELONGHER TOTTE PERSONE DELLA ZONA DANGEROSA.

WARNING! ROTATING ELEMENTS. DANGER DUE TO PROJECTION OF FOREIGN OBJECTS. KEEP ALL PERSONS AWAY FROM THE DANGER AREA.

VORSICHT! NACHLAUFENDE TEILE. GEFAHR DURCH FORTGESCHLEUDERTE FREMDKÖRPER. PERSONEN AUS DER GEFÄHRDUNGSSCHEN VERWEISEN.

ATENCIÓN! ELEMENTOS ROTATIVOS. PELIGRO DEBIDO A LA PROYECCIÓN DE CUERPOS EXTRANOS. ALEJAR A TODA PERSONA DE LA ZONA PELIGROSA.

High Pressure
(CST00056)

Remove key from ignition
(CST00113)

Hands Rotating rollers
(CST00017)

Do not stand on platform
(CST00107)

Close all covers
(CST00114)

Hands Crush area
(CST00019)

Keep clear of pick-up
(CST00108)

Release pressure
(CST00115)

Check wheel nuts
(CST00020)

D DIE RADMUTTERS MÜSSEN TÄGLICH ÜBERPRÜFT WERDEN

F VERIFIEZ RÉGULIÈREMENT LE SERRAGE DES ECROUS DES ROUES

UK CHECK WHEEL NUTS DAILY

Read manual before use
(CST00110)

Keep clear of dispenser
(CST00116)

Lift hook Lifting eye
(CST00032)

Pressurised hydraulic oil
(CST00111)

MAX PTO 610 RPM

MAX 210 bar

Max PTO & pressure
(CST00121)

Grease daily
(CST00060)

MCH-002

Warning sharp knives
(CST00112)

Warning!

General warnings
(CST00134)

| No. | Part No | Description | Qty |
|-----|----------|--------------------------------|-----|
| 1 | CST00014 | DECAL WARNING!ROTATING ELEMENT | 2 |
| 2 | CST00017 | DECAL ROTATING ELEMENTs 214 | 3 |
| 3 | CST00019 | DECAL CRUSHED HAND | 3 |
| 4 | CST00020 | DECAL CHECK WHEEL NUTS | 2 |
| 5 | CST00032 | DECAL LIFTING HOOK | 4 |
| 6 | CST00060 | DECAL GREASE GUN | 12 |
| 7 | CST00056 | DECAL ACCUMULATOR WARNING | 5 |
| 8 | CST00107 | DECAL NO STANDING ON PLATFORM | 1 |
| 9 | CST00108 | DECAL ROTATING PICK UP REEL | 3 |
| 10 | CST00110 | DECAL READ MANUAL | 4 |
| 11 | CST00111 | DECAL HYDRAULIC WARNING | 3 |
| 12 | CST00112 | DECAL WARNING!SHARP KNIVES | 4 |
| 13 | CST00113 | DECAL REMOVE KEY | 4 |
| 14 | CST00114 | DECAL CLOSE PROTECTIVE COVERS | 3 |
| 15 | CST00115 | DECAL ACCUMULATOR PRESSURE | 2 |
| 16 | CST00116 | DECAL DANGER ROTATING RING | 3 |
| 17 | CST00121 | DECAL OIL PRESSURE/PTO RPM | 1 |
| 18 | CST00134 | DECAL GENERIC WARNINGS | 1 |

| No. | Part No | Description | Qty |
|-----|---------|-------------|-----|
|-----|---------|-------------|-----|

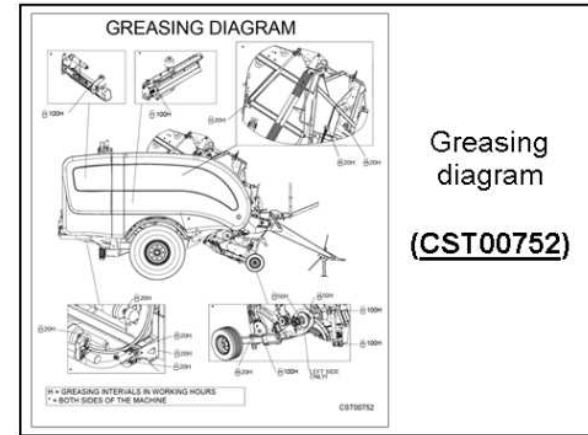
Decals 2 (935)



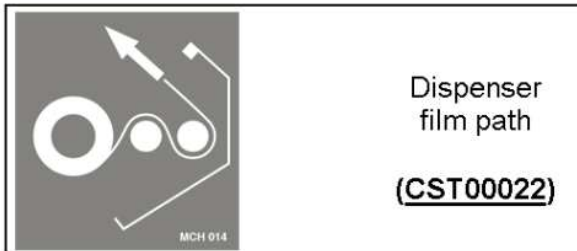
Free-flow tank return
(CST00006)



McHale logo
(CST00710)



Greasing diagram
(CST00752)



Dispenser film path
(CST00022)



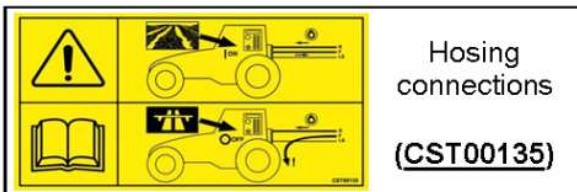
Wheel torque & pressure
(CST00157)



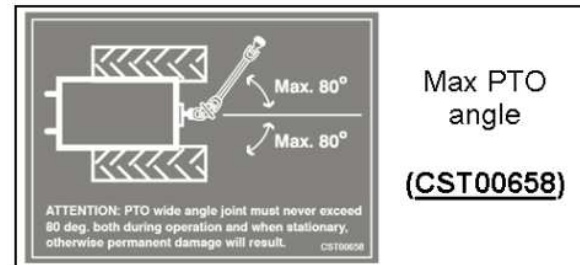
Keep brakes clean
(CST00163)



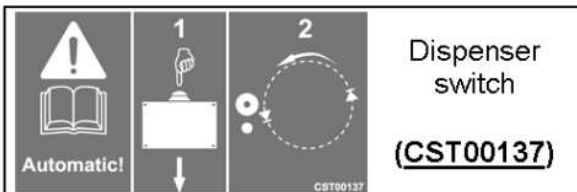
Disconnect ECU before welding
(CST00755)



Hosing connections
(CST00135)



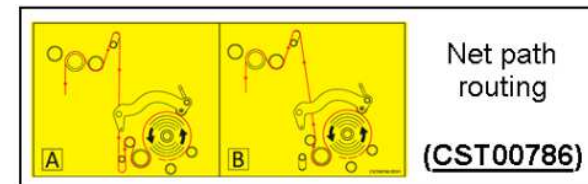
Max PTO angle
(CST00658)



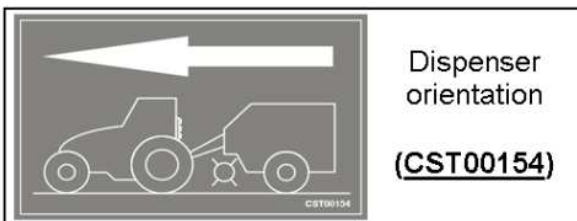
Dispenser switch
(CST00137)



Stop machine
(CST00758)



Net path routing
(CST00786)



Dispenser orientation
(CST00154)



Do not stand
(CST00803)

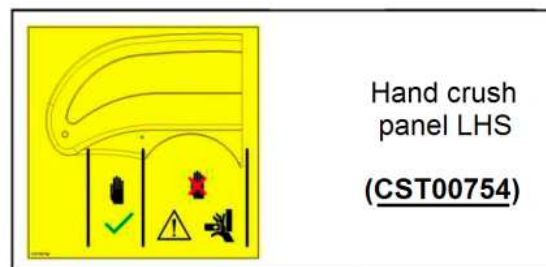
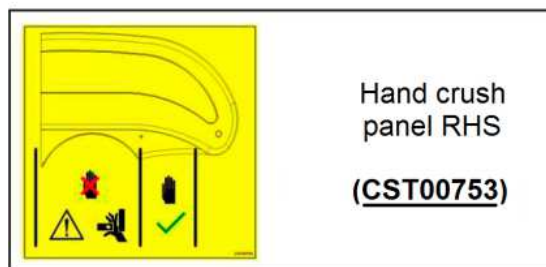
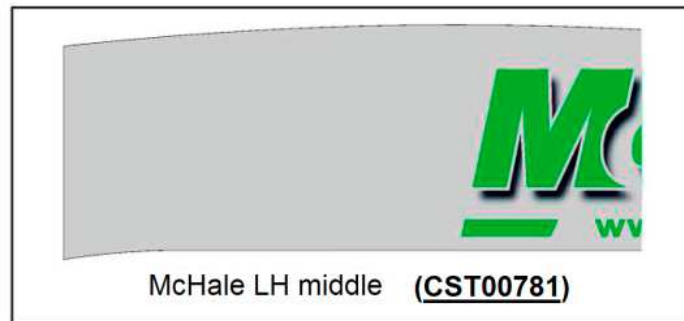
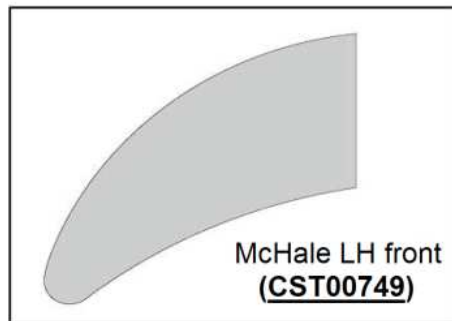
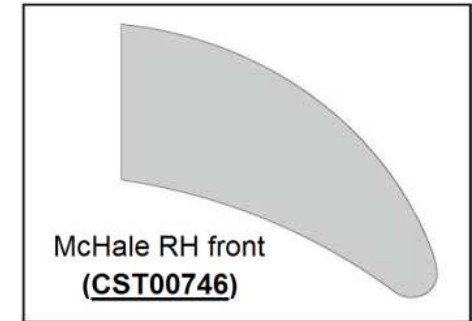
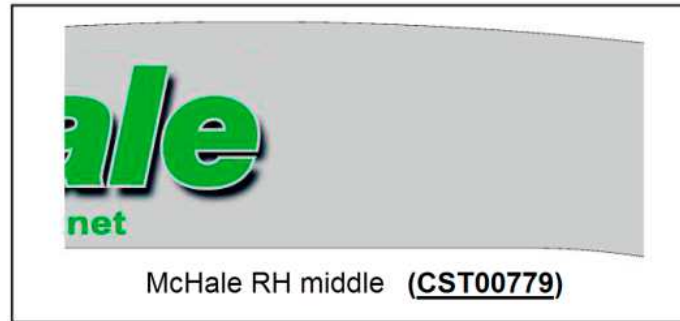


Stop machine
(CST00787)

| No. | Part No | Description | Qty |
|-----|----------|---------------------------------|-----|
| 1 | CST00006 | DECAL FREEFLOW RETURN TO TANK | 1 |
| 2 | CST00022 | DECAL FILM PATH 998 MCH-014 | 1 |
| 3 | CST00135 | DECAL FUSION HOSING ROAD FIELD | 1 |
| 4 | CST00137 | DECAL FUSION DISPENSER PARK | 1 |
| 5 | CST00154 | DISPENSER RING ORIENTATION | 2 |
| 6 | CST00157 | DECAL WHEEL PRESSURE TORQUE | 2 |
| 7 | CST00163 | DECAL WARNING KEEP BRAKES CLEAN | 2 |
| 8 | CST00658 | DECAL PTO MAX OPERATING ANGLE | 2 |
| 9 | CST00710 | DECAL MCHALE LOGO (BACK DOOR) | 1 |
| 10 | CST00752 | GREASE DECAL FUSION VARIO | 1 |
| 11 | CST00755 | DECAL DISCONNECT ECU | 2 |
| 12 | CST00758 | DECAL STOP MACHINE | 1 |
| 13 | CST00786 | NET PATH DECAL FUSION VARIO | 1 |
| 14 | CST00787 | DECAL STOP FUSION VARIO 40X80 | 1 |
| 15 | CST00803 | DO NOT STAND DECAL | 3 |

| No. | Part No | Description | Qty |
|-----|---------|-------------|-----|
|-----|---------|-------------|-----|

Decals 3 (936)



| No. | Part No | Description | Qty |
|-------------------------------------|----------|---|-----|
| 1 | CST00118 | DECAL KNIFE LOCK POSITION | 1 |
| <i>STANDARD KNIVES</i> | | | |
| 1 | CST00606 | DECAL GERMAN KNIFE LOCK | 1 |
| <i>GERMAN KNIVES (GERMANY ONLY)</i> | | | |
| 2 | CST00744 | STICKER 'MCHALE' RH REAR F3 | 1 |
| 3 | CST00778 | STICKER VARIO RH MIDDLE BACK | 1 |
| 4 | CST00779 | STICKER VARIO RH MIDDLE FRONT | 1 |
| 5 | CST00746 | STICKER 'MCHALE' RH FRONT F3 | 1 |
| 6 | CST00749 | STICKER 'MCHALE' LH FRONT F3 | 1 |
| 7 | CST00781 | STICKER VARIO LH MIDDLE FRONT | 1 |
| 8 | CST00780 | STICKER VARIO LH MIDDLE BACK | 1 |
| 9 | CST00747 | STICKER MCHALE LH REAR F3 | 1 |
| 10 | CST00784 | STICKER FUSION VARIO LOGO | 3 |
| 11 | CST00753 | DECAL HAND CRUSH FRONT PANEL RH | 1 |
| 12 | CST00754 | DECAL HAND CRUSH FRONT PANEL LH | 1 |
| 13 | CST00785 | DECAL DOOR LOCK VALVE FUSION VARIO 70X140 | 1 |

| No. | Part No | Description | Qty |
|-----|---------|-------------|-----|
|-----|---------|-------------|-----|