

McHale

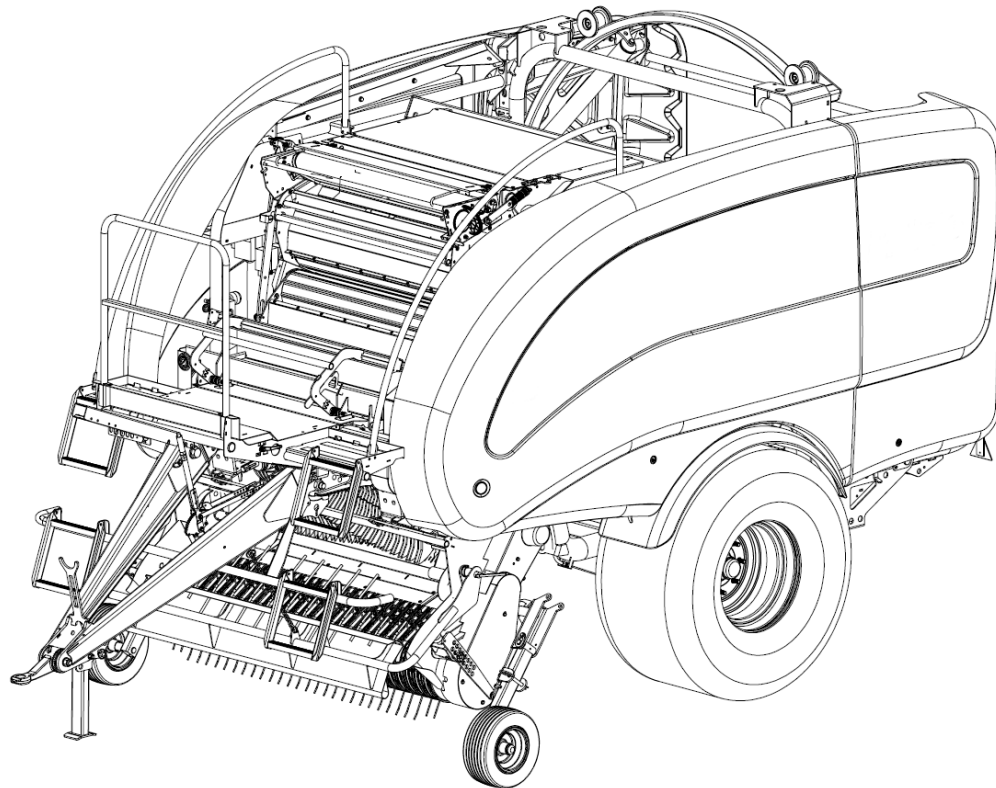
FUSION 3



QUALITY

I.S. EN ISO 9001:2008

NSAI Certified



FUSION 3

Spare Parts Book

McHale,
Ballinrobe,
Co. Mayo, Ireland.

Tel: +353 94 9520300

Fax: +353 94 9520356

Email: sales@mchale.net

Website: www.mchale.net

This page is intentionally left blank

Introduction

The **McHale FUSION 3** which you have purchased has been developed through years of constant research and development. Given proper care and attention the **FUSION 3** will give years of reliable and dependable performance. However it is important that the operators manual is read and fully understood to achieve this, **before** the machine is operated. As part of this philosophy it is vital to use only **genuine McHale** replacement parts, as these are manufactured to the same high standard as the original machine. These may be obtained through your **McHale** dealer.

If any part of this manual is not fully understood, please contact your **McHale** dealer who will be able to answer any questions or queries that you might have. It is important to quote the machine serial number when requiring spare parts or technical assistance. Space is provided below to record the machine details:

Serial number:	
Year of manufacture:	
Date of delivery:	

If you require further copies of this spare parts manual please
quote part number CLT00519

Note: Parts described as left and right are done so according to the direction that the machine normally travels in.

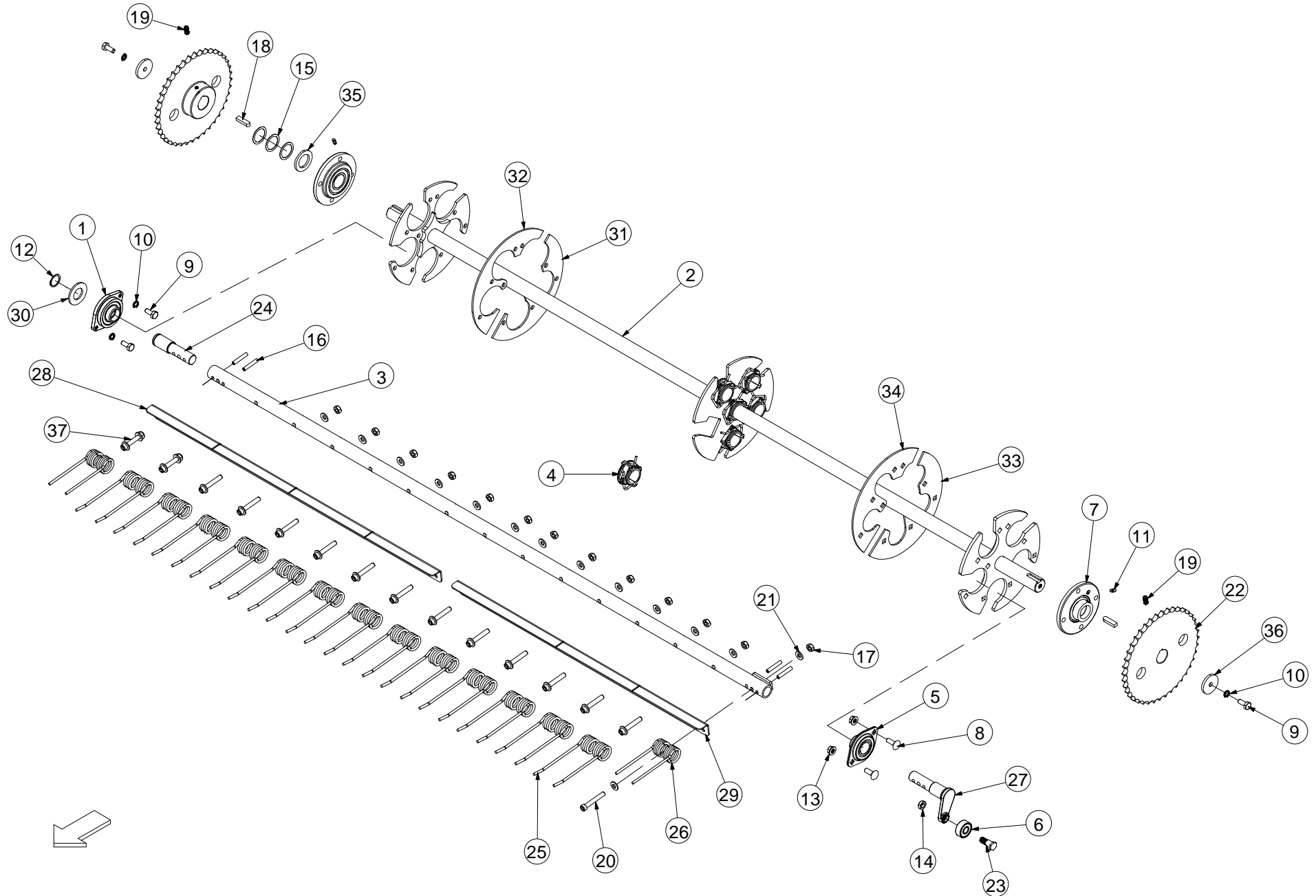
Note: Due to a policy of continuous product development and improvement *McHale Engineering* reserve the right to alter machine specifications without prior notice.

Contents

Section	Page No	Document No	Section	Page No	Document No
Pick-up unit			Bottom chamber door [Idle side] (503)	52	SPD00503
Pick-up reel shaft (805)	6	SPD00805	Bottom chamber door [Drive side] 1 (504)	54	SPD00504
Pick-up reel chassis (804)	8	SPD00804	Bottom chamber door [Drive side] 2 (505)	56	SPD00505
Pick-up 3 (824)	10	SPD00824	Top chamber door [Idle side] (811)	58	SPD00811
Pick-up 4 (497)	12	SPD00497	Top chamber door [Drive side] (509)	60	SPD00509
Pick-up 5 (498)	14	SPD00498	Rollers (510)	62	SPD00510
Pick-up drop floor (393)	16	SPD00393	Roller locations (513)	64	SPD00513
Pick-up drop floor select (803)	18	SPD00803	Bearings (517)	66	SPD00517
Crop roller [On Fusion-F5-V6 from Serial No 655681-706661-800616] (775)	20	SPD00775	Netter		
PTO shaft & Gearbox			Net box (519)	68	SPD00519
PTO shaft [PWE580]	22	SPD00699	Netter unit 1 (520)	70	SPD00520
Gearbox 1 (831)	24	SPD00831	Netter unit 2 (521)	72	SPD00521
Gearbox 2 (490)	26	SPD00490	Net tensioner 1 (522)	74	SPD00522
Chassis			Net tensioner 2 (523)	76	SPD00523
Drawbar (488)	28	SPD00488	Wrapping		
Screw jack & Handbrake (812)	30	SPD00812	Transfer & Front wrapping rollers (524)	78	SPD00524
Steps & platform (806)	32	SPD00806	Rear wrapping cradle (809)	80	SPD00809
Chassis (808)	34	SPD00808	Dispenser ring (810)	82	SPD00810
Axle (492)	36	SPD00492	Dispenser 1 (529)	84	SPD00529
Air brake kit (818)	38	SPD00818	Dispenser 2 (530)	86	SPD00530
Wheels & Mudguards (813)	40	SPD00813	Cut & Hold LH (814)	88	SPD00814
Chains & Belts (518)	42	SPD00518	Cut & Hold RH (532)	90	SPD00532
Panels LH (807)	44	SPD00807	Side tip (557)	92	SPD00557
Panels RH (833)	46	SPD00833	Hydraulic & Electrical		
Bale chamber			Hydraulic layout Fusion 3 (823)	94	SPD00823
Front chamber [Idle side] (506)	48	SPD00506	Hydraulic valve main control CVA00299 (541)	96	SPD00541
Front chamber [Drive side] (507)	50	SPD00507	Hyd valve knives & floor CVA00351 [On Fusion from S-No 654556 & F560 from S-No 705595] (702)	98	SPD00702

Section	Page No	Document No	Section	Page No	Document No
Hydraulic valve knives & floor [Selectable] CVA00345 (701)	100	SPD00701			
Hydraulic valve rotation & tip CVA00157 (543)	102	SPD00543			
Hydraulic valve chamber door CVA00239 (822)	104	SPD00822			
Hydraulic rams chamber door (546)	106	SPD00546			
Hydraulic rams pick-up reel CRA00186 (182)	108	SPD00182			
Hydraulic rams drop floor CRA00193 (184)	110	SPD00184			
Hydraulic rams cut & hold CRA00074 (549)	112	SPD00549			
Hydraulic rams bale cradle CRA00558 (551)	114	SPD00551			
Oil & Grease systems 1 (552)	116	SPD00552			
Oil & Grease fittings (553)	118	SPD00553			
Oil & Grease systems 3 (554)	120	SPD00554			
Oil & Grease systems 4 (555)	122	SPD00555			
Oil & Grease systems 5 (556)	124	SPD00556			
Electrical control (815)	126	SPD00815			
Electrical lighting kit (816)	128	SPD00816			
Decals					
Decals 1 (819)	130	SPD00819			
Decals 2 (820)	132	SPD00820			
Decals 3 (821)	134	SPD00821			

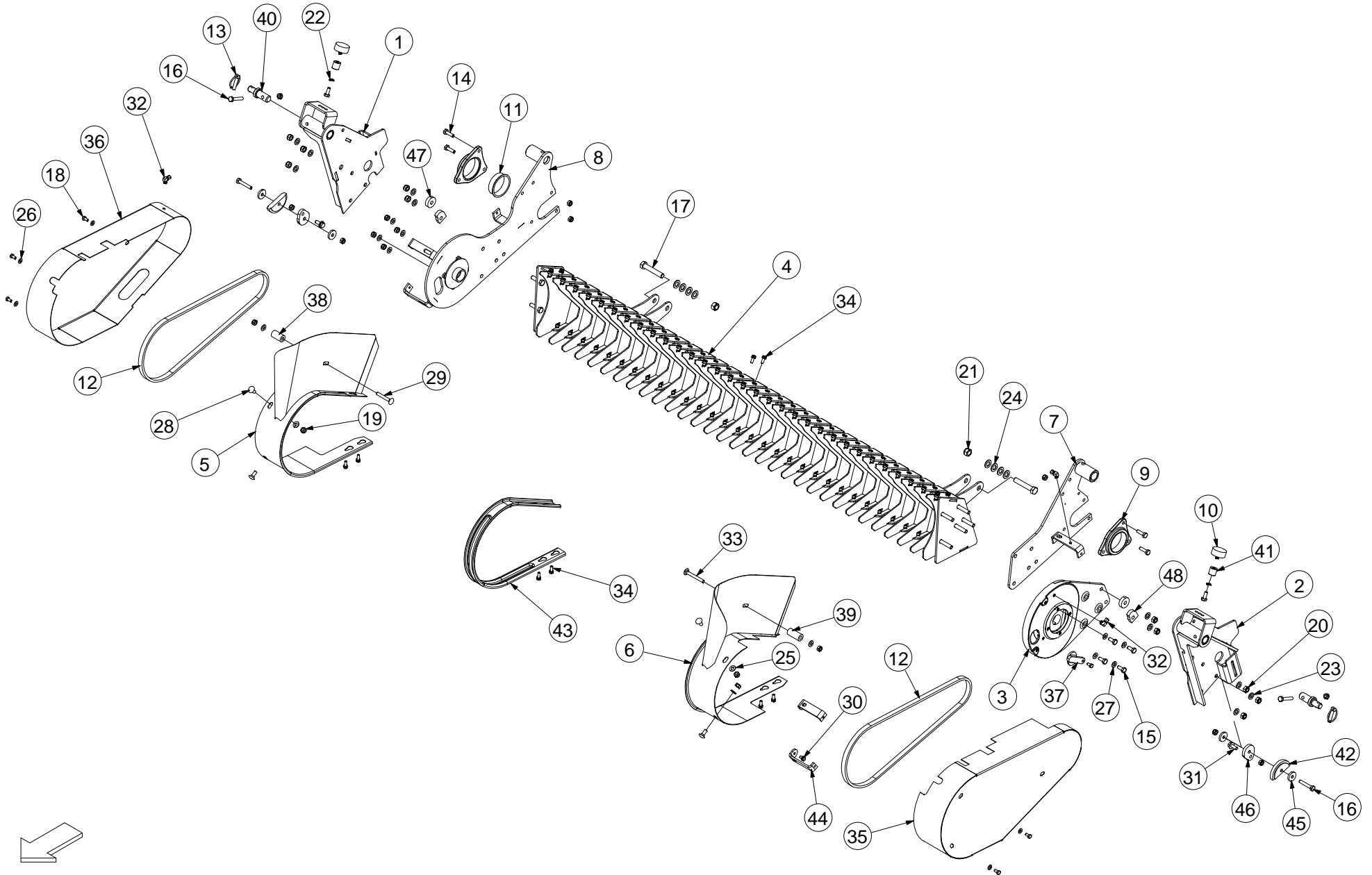
Pick-up reel shaft (805)



No.	Part No	Description	Qty
1	ACH02226	REEL BEARING FLOATING ASSY	5
2	ACN00046	PICK UP REEL SHAFT ASSY 5 BAR	1
<i>5 TINE BAR REEL SHOWN</i>			
2	ACH00309	PICK UP REEL SHAFT ASSY 4 TINE	1
<i>USED ON 4 TINE BAR REEL ONLY</i>			
3	ALA00046	TYNE BAR ASSY REEL	5
4	ALA00177	BUSHING CENTER (ASSY) REEL	6
5	CBR00072	BEARING INA 2 BOLT RAE 30 NPPB	5
6	CBR00081	BEARING CAM INA LR 5202 NPPU	5
7	CBR00092	BEARING CIRCR FLNGE INA PME 35	2
8	CFA00017	SETSCREW M10X30 CUP SQ Z/P	10
9	CFA00024	SETSCREW M10X25 Z/P	12
10	CFA00137	WASHER SPRING 10MM H.D Z/P	12
11	CFA00217	GREASE NIPPLE M6X1.0 ST	2
12	CFA00402	CIRCLIP 30MM EXTERNAL	5
13	CFA00443	NUT M10 SERRATED FLANGE (DIN 6923)	10
14	CFA00446	NUT M12 HEXAGON LOCK/HALF NUT	5
15	CFA00512	SHIM 35X45X1.0 Z/P	3
16	CFA00538	SPIROL PIN 8X45 S/C	20
17	CFA00541	NUT M10 BRINKS SELF LOCKING	5
18	CFA00624	KEY 10x8x40 STRAIGHT	2
19	CFA00625	M10 x 20 GRUBSCREW	2
20	CFA00725	BOLT M10X65 SOC CAP	5
21	CFA02244	TINE BOLT WASER FOR P/U REEL	10
22	CMH00621	PLATWEHEEL 3/4" PITCH 40 T	2
23	CMH00672	BOLT SHOULDER 3/4" H	5
24	CMH00843	SHAFT 30X125 STEPPED & C-HOLES	5
25	CTN00008	TINE PICK UP REEL BA	65
26	CTN00014	TINE STRAIGHT PICK UP REEL	10
27	CTP00251	CAM AXLE (FORGED)	5
28	CZC02139	3MM L TYNE BAR CHANNEL BALER	5
29	CZC02140	3MM L TYNE BAR CHANNEL BALER	5
30	CZD02325	4MM L WASHER 30X58X4 Z/P	5
31	CZD04424	4MM L GRASS GUARD 5 TINE BAR REEL	1
32	CZD04425	GRASS GUARD 5 TINE BAR REEL	1
32	CZD02285	4MM L REEL GRASS PLATE 4 TINE	4
<i>USED ON 4 TINE BAR REEL ONLY</i>			
33	CZD04701	4MM L REEL SHAFT BOLT ON END PLATE	1
34	CZD04702	4MM L REEL SHAFT BOLT ON END PLATE	1
35	CZE00156	5MM L WASHER 35X55X5 Z/P	1
36	CZF02215	6MM L WASHER 10.5X50X6 Z/P	2
37	KST00058	KIT M10 BOLTS FOR PICKUP TINES X10	7
<i>INCLUDES BOLTS, NUTS & WASHERS (SOLD IN MULTIPLES OF 10)</i>			

No.	Part No	Description	Qty
-----	---------	-------------	-----

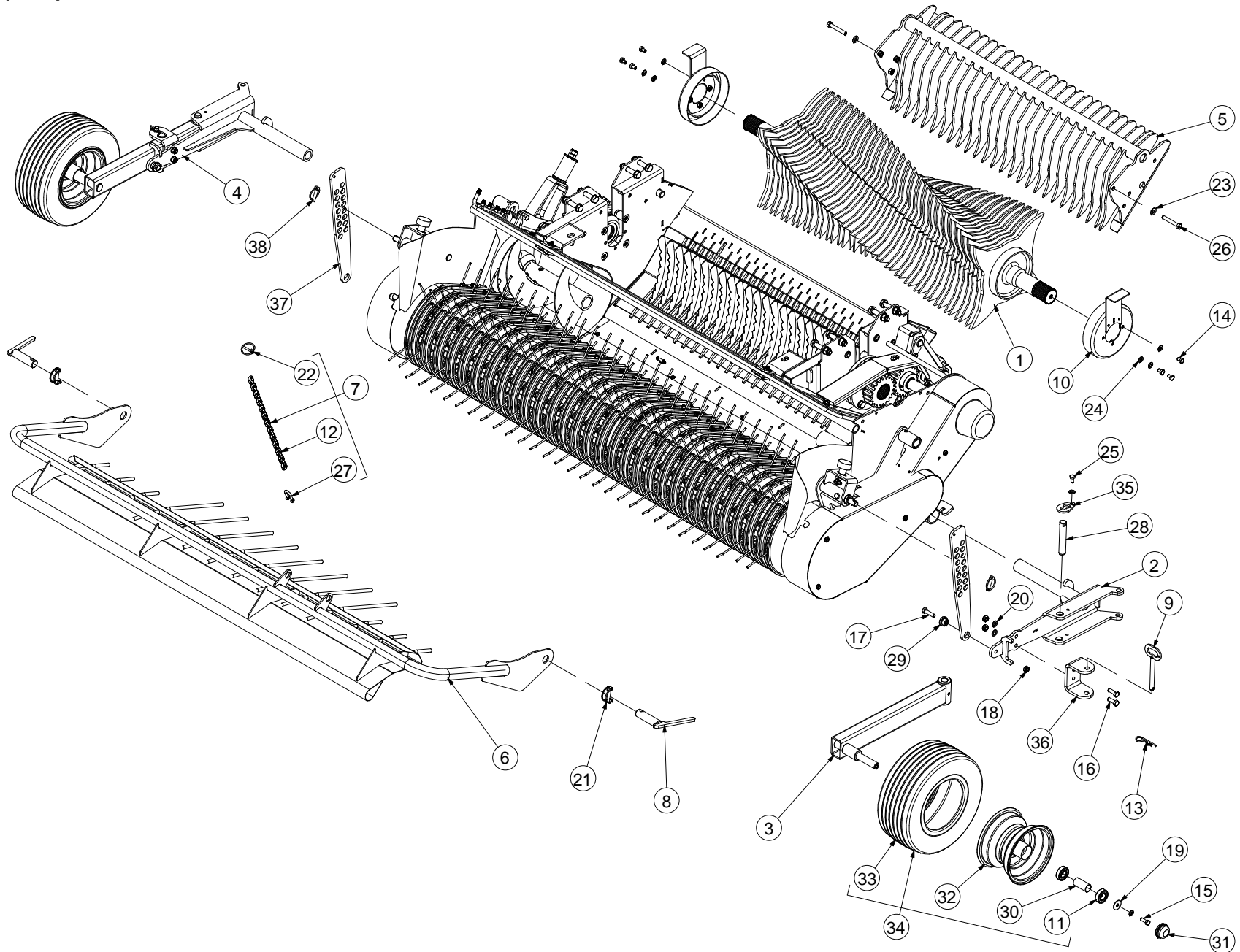
Pick-up reel chassis (804)



No.	Part No	Description	Qty
1	ACH00298	REEL WELD ASSY OUTER (RIGHT)	1
2	ACH00301	REEL WELD ASSY OUTER (LEFT)	1
3	ACH00308	CAM TRACK ASSY	1
<i>INCLUDES ITEMS 15, 27, 30, 44 & CTP00252</i>			
3	CTP00252	CAM TRACK CAST	1
3	ACH00354	CAM TRACK (DUTCH)	1
<i>FOR DUTCH MACHINES ONLY</i>			
4	ACH01004	REEL BACK PLATE WELD ASSY	1
5	ACH02315	OUTER BAND RHS	1
6	ACH02316	OUTER BAND LHS	1
7	ACH02351	REEL INNER BRACKET LEFT FUSION II	1
8	ACH02352	REEL INNER BRACKET RIGHT FUSION II	1
9	ALA00314	PICKUP REEL PIVOT BRACKET KIT	1
<i>KIT CONTAINS 2 HOUSINGS & 2 IGUS BEARINGS (ITEM 11)</i>			
10	CBE00182	BUFFER RUBBER 50X21 M10X13	2
11	CBR00274	BEARING IGLIDUR GFM-7680-25	2
12	CCH02026	CHAIN ASA60H 3/4" 78 INC LINK	2
13	CFA00005	LINCH PIN 10MM	2
14	CFA00016	BOLT M10X35	4
15	CFA00024	SETSCREW M10X25 Z/P	6
16	CFA00027	BOLT M10X60 Z/P	4
17	CFA00063	BOLT M16X90 Z/P	2
18	CFA00101	SETSCREW M8X16 Z/P	7
19	CFA00123	NUT M10 NYLOC	20
20	CFA00124	NUT M12 NYLOC	10
21	CFA00128	NUT M16 NYLOC	2
22	CFA00137	WASHER SPRING 10MM H.D Z/P	2
23	CFA00138	WASHER FLAT 12MM Z/P	10
24	CFA00140	WASHER FLAT 16MM Z/P	8
25	CFA00201	WASHER FLAT 10 MM Z/P	6
26	CFA00249	WASHER SKM8	6
27	CFA00251	WASHER SKM10	8
28	CFA00442	SETSCREW M10X25 CUP SQ	4
29	CFA00474	BOLT M10X70 CUP SQUARE ZP	1
30	CFA00492	SETSCREW M8X12 FLANGED Z/P	2
31	CFA00520	SETSCREW M10X25 FLD ZP	2
32	CFA00542	OILER FITTING 90 DEG 1/8" BSP	3
<i>FITTING WITH NUT & OLIVE (USED ON FUSION ONLY)</i>			
32	CFA02253	90 DEG. 1/8" 4MM QUICK CONNECTOR	3
<i>PUSH-IN FITTING (USED ON F5 & V6 ONLY)</i>			
33	CFA00546	BOLT M10X85 CUP HEAD SQ Z/P	1
34	CFA00766	SETSCREW M8X20 FLANGED DIN6921 Z/P	130
35	CGD00034	GUARD REEL LEFT HAND	1
36	CGD00036	GUARD REEL RIGHT SIDE	1
37	CGD00050	CAM TRACK BLANKING CAP	1
38	CMH00740	BUSH 12X25X45	1
39	CMH00741	BUSH 12X25X55	1
40	CMH01035	PIN 25X97 AND12MM CH (Z/P)	2
41	CMH01088	BUSH 10X25X25 THREADED Z/P	2
42	CPL00043	PLASTIC CHAIN TENSIONER (REEL)	2

No.	Part No	Description	Qty
43	CTP00048	BAND PICK UP REEL (BALER)	29
44	CZF04369	6MM L CAM TRACK BRAC	2
45	CZF05111	6MM L PART SPACER	4
46	CZH02907	10MM L WASHER 10X50 FLAT SIDE ZP	2
47	CZI02045	12MM L WASHER 39.5X12.5X12	2
48	CZI02046	12MM L WASHER DOWEL	2

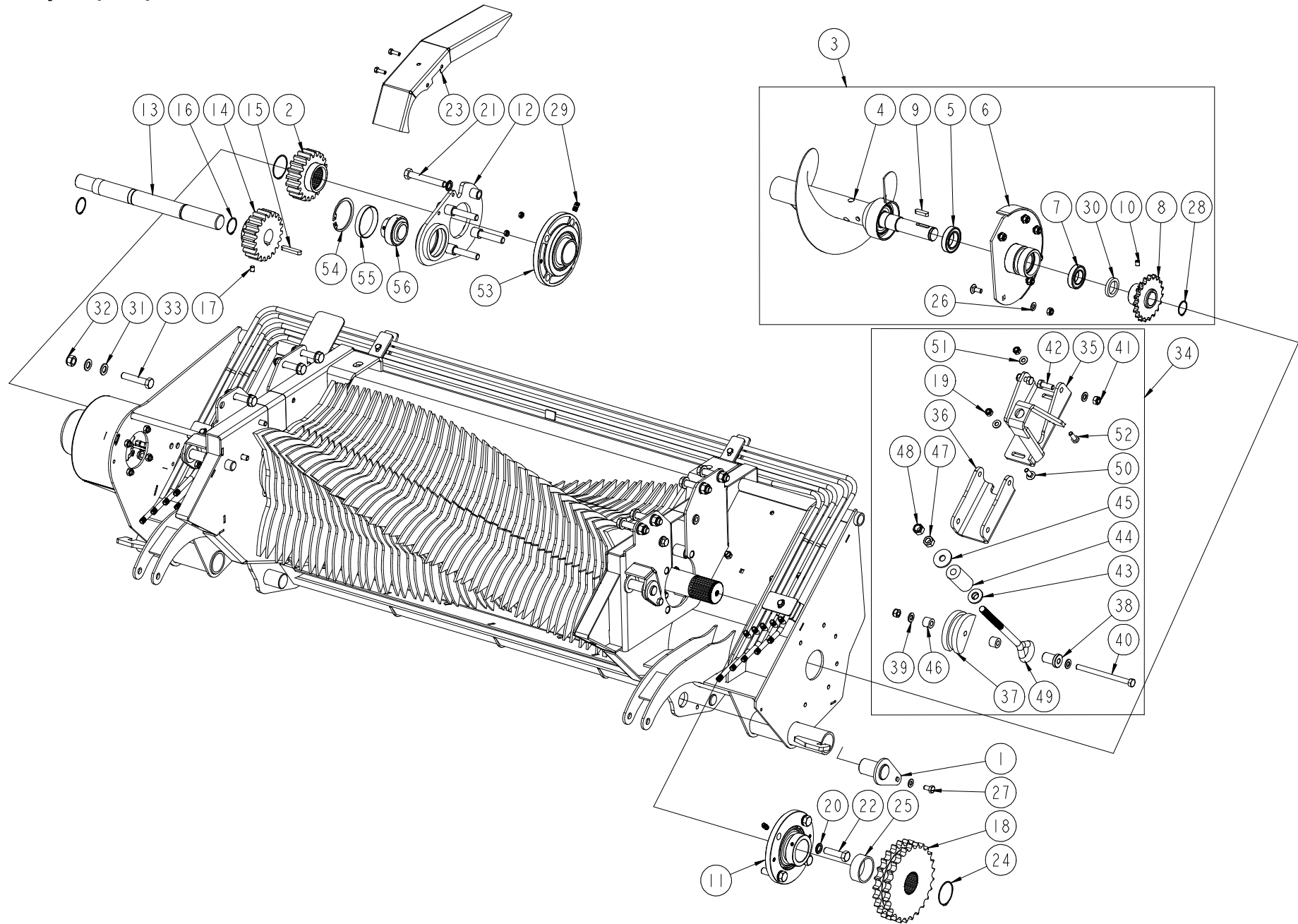
Pick-up 3 (824)



No.	Part No	Description	Qty
1	ACH00317	ROTOR 23 KNIFE WELD ASSY	1
1	ACH00573	ROTOR 15 KNIFE WELD ASSY	1
2	ACH00908	PICKUP WHEEL HINGE WELD ASSY	2
3	ACH00909	PICKUP GUIDE WHEEL WELD ASSY	2
4	ACH00911	PICKUP GUIDE WHEEL COMP ASSY	2
5	ACH00956	COMB WELD 23 KNIFE FUSION	1
<i>MACHINES PRIOR TO SERIAL NO 654531, MUST ALSO ORDER KIT REP00044</i>			
5	ACH01284	23 KNIFE COMB FUS BARREL WRAP	1
<i>NRF BARREL WRAP MACHINES ONLY</i>			
5	ACH02300	COMB WELD 15 KNIFE (KOREA)	1
<i>KOREAN MACHINES ONLY</i>			
6	ACH02331	GRASS GUARD ASSY FUSION	1
7	ACN00065	GRASS GUARD CHAIN ASSY FUSION	1
<i>CHAIN ASM INCLUDES SHACKLE & LINCH-PIN</i>			
8	ALA00035	HINGE PIN REEL FRONT	2
9	ALA00036	PIN WHEEL HINGE ASSY.	2
10	ARC00181	ROTOR SEAL RING ASSY M10 BOLT	2
<i>UP TO SERIAL NO 654530</i>			
10	ARC00227	GRASS GUARD 23K ROTOR END	2
<i>FROM SERIAL NO 654531</i>			
10	ARC00182	ROTOR SEAL RING ASSY (KOREA) M10	2
<i>KOREAN MACHINES ONLY</i>			
11	CBR00009	BEARING 6205 2RS	4
12	CCH02039	CHAIN 7x22X25 LINKS	1
13	CFA00004	R-CLIP 4MM	2
14	CFA00022	SETSCREW M10X16 Z/P	6
15	CFA00025	SETSCREW M10X30	7
16	CFA00033	SETSCREW M12X35 Z/P	4
17	CFA00079	BOLT M12X45	2
18	CFA00124	NUT M12 NYLOC	6
19	CFA00134	WASHER MUDWING M10X38MM OD	2
20	CFA00138	WASHER FLAT 12MM Z/P	4
21	CFA00194	LINCH PIN PIPE 10MMX50MM	2
22	CFA00202	LINCH PIN 6MM	1
23	CFA00250	WASHER SKM12	4
24	CFA00251	WASHER SKM10	8
25	CFA00293	SETSCREW M10X20 Z/P	2
26	CFA00384	BOLT M12X80	4
27	CFA00676	D SHACKLE 8MM	1
28	CMH00675	PIN 25 X 140 MILLED FOR CAP Z/P	2
29	CMH00771	BUSH 12X35 STEPPED	2
30	CMH00838	BUSH 27X30.25X62 REEL WHEEL	2
31	CTP00070	DUST CAP 170/60-8 VREDESTAIN	2
32	CWH00035	WHEEL RIM 5.50AX8	2
33	CWH00036	TYRE 170/60-8 VREDESTAIN 6PLY	2
34	CWH00037	WHEEL 170/60 -8 (V 64)	2
<i>WHEEL ASM INCLUDES TYRE, RIM & BEARINGS</i>			
35	CZF00293	6MM L CAP SHORT FOR 25MM PINS	2
36	CZH02472	10MM L WHEEL GUIDE PART	2
37	CZH02522	10MM L WHEEL GUIDE P	2

No.	Part No	Description	Qty
38	CFA00005	LINCH PIN 10MM	2

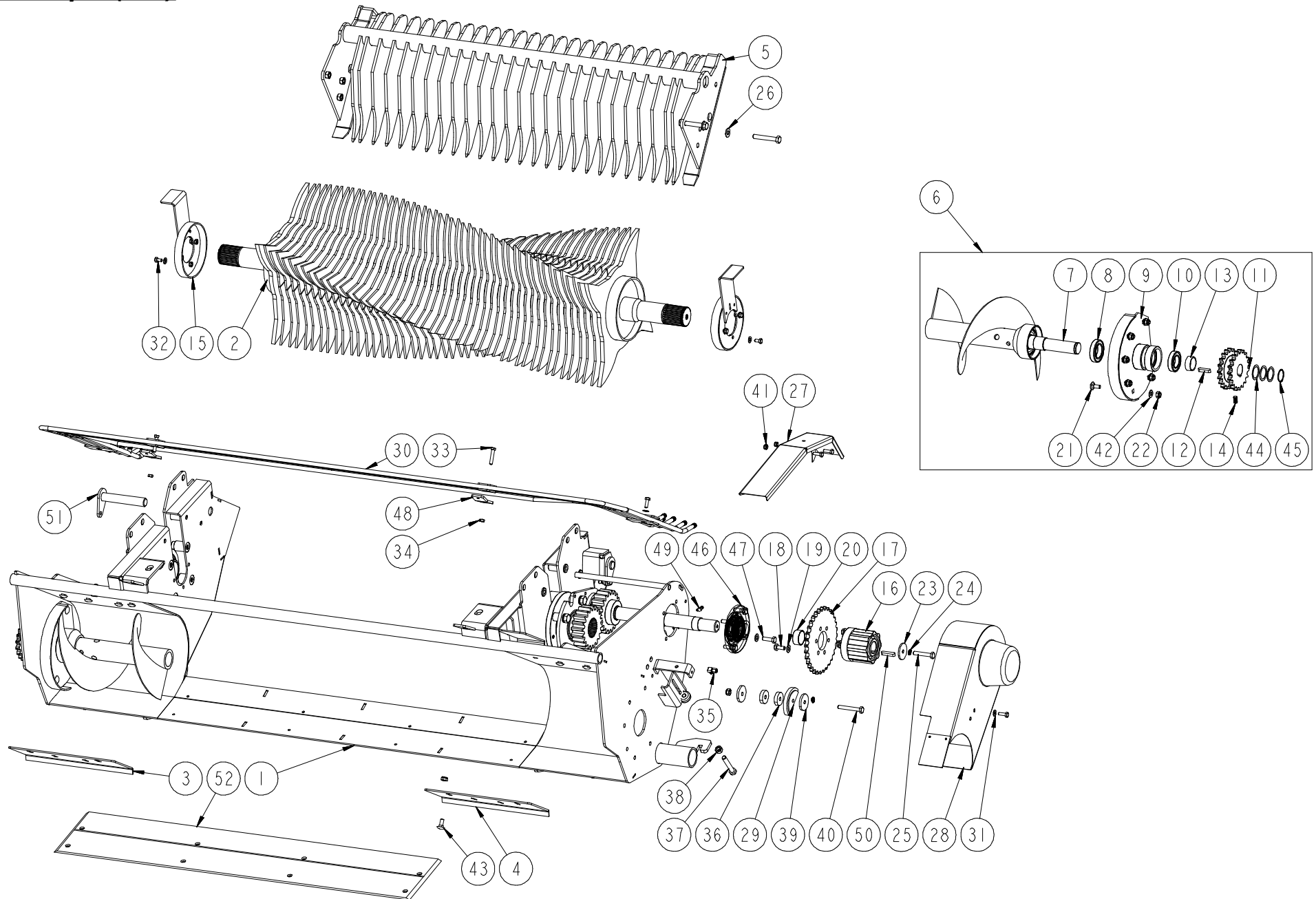
Pick-up 4 (497)



No.	Part No	Description	Qty
1	ACH00321	PIN CHOPPER FLOOR HINGE Z/P	2
2	CMH00652	GEAR SPUR MOD6 20 TOOTH SPLINE	1
3	ACH00328	AUGER COMPLETE ASSY. (RIGHT)	1
4	ACH00327	AUGER ASSY. (RIGHT)	1
5	CBR00076	BEARING 6008 2RS	1
6	ACH00313	BEARING HOUSING WELD ASSY.	1
7	CBR00001	BEARING 6007 2RS	1
8	ACH00326	SPROCKET AUGER ASSY. (RIGHT)	1
9	CFA00239	KEY 10X8X40	1
10	CFA00559	GRUBSCREW M10X12	1
11	ARC00067	ROTOR BEARING ASSY DRIVE SIDE	1
12	CTP00391	BEARING HOLDER ASSY SPUR GEARS	1
<i>REPLACES ACH00030</i>			
12	ACH00331	BEARING HOLDER ASSY	1
<i>INCLUDES ITEMS 54, 55 & 56</i>			
13	CMH00657	SHAFT 40 X 450.5 STE	1
14	CMH00653	GEAR SPUR MOD6 20T 40MM ID	1
15	CFA00558	KEY 12X8X60	1
16	CFA00551	CIRCLIP 40MM EXTERNAL	2
17	CFA00559	GRUBSCREW M10X12	1
18	CMH00659	SPROCKET 1" PITCH 25 T DUPLEX	1
19	CFA00123	NUT M10 NYLOC	28
20	CFA00783	WASHER NL16 NORD-LOCK	8
21	CFA00787	BOLT M16X100 Z/P DIN931 GRADE 10.9	4
22	CFA00786	BOLT M16X60 Z/P DIN931 GRADE 10.9	4
23	CZB02160	1.5MM L SPUR GEAR GUARD BALER	1
24	CFA00513	CIRCLIP 60MM EXTERNAL	2
25	CXT00262	TUBE 70X4.5X27 RAM TUBE	1
26	CFA00251	WASHER SKM10	18
27	CFA00023	SETSCREW M10X20 Z/P	2
28	CFA00514	CIRCLIP 35MM EXTERNAL	2
29	CFA00550	ROTOR BEARING GREASE FITTING	2
30	CZG02115	8MM L AUGER SPACER	1
31	CFA00140	WASHER FLAT 16MM Z/P	16
32	CFA00128	NUT M16 NYLOC	8
33	CFA00498	BOLT M16 X 80 Z/P	8
34	ACH00865	DUPLEX TENSIONER	1
35	ACH00864	DUPLEX CHAIN TENSIONER BASE	1
36	ACH02294	DUPLEX TENSIONER WELD ASSY	1
37	CPL00055	CHAIN TENSIONER SLIDE 1"DUPLEX	1
38	CMH01022	BUSH 8X35X45 STEPPED	1
39	CFA00138	WASHER FLAT 12MM Z/P	4
40	CFA00747	BOLT M12X170Z/P	1
41	CFA00124	NUT M12 NYLOC	3
42	CFA00033	SETSCREW M12X35 Z/P	2
43	CMH01109	WASHER 17X40X12 Z/P	1
44	CBE00174	RUBBER SPRING 16X40X80	1
45	CZD04321	4MM L WASHER 16X40X4 Z/P	1
46	CMH01110	BUSH 12X25X19.5	2

No.	Part No	Description	Qty
47	CFA00127	NUT M16	1
48	CFA00128	NUT M16 NYLOC	1
49	CFA00784	EYE BOLT M16X360 (DUPLEX TENSIONER)	1
50	CFA00017	SETSCREW M10X30 CUP SQ Z/P	1
51	CFA00201	WASHER FLAT 10 MM Z/P	3
52	CFA00025	SETSCREW M10X30	1
53	CBR00078	BEARING FEC 60 4 BOLT FLANGE	1
54	CFA00232	CIRCLIP 85MM INTERNAL	1
55	CMH00245	BEARING RETAINER 1040 35MM	1
56	CBR00093	BEARING INSERT INA GYE 40 KRRB	1

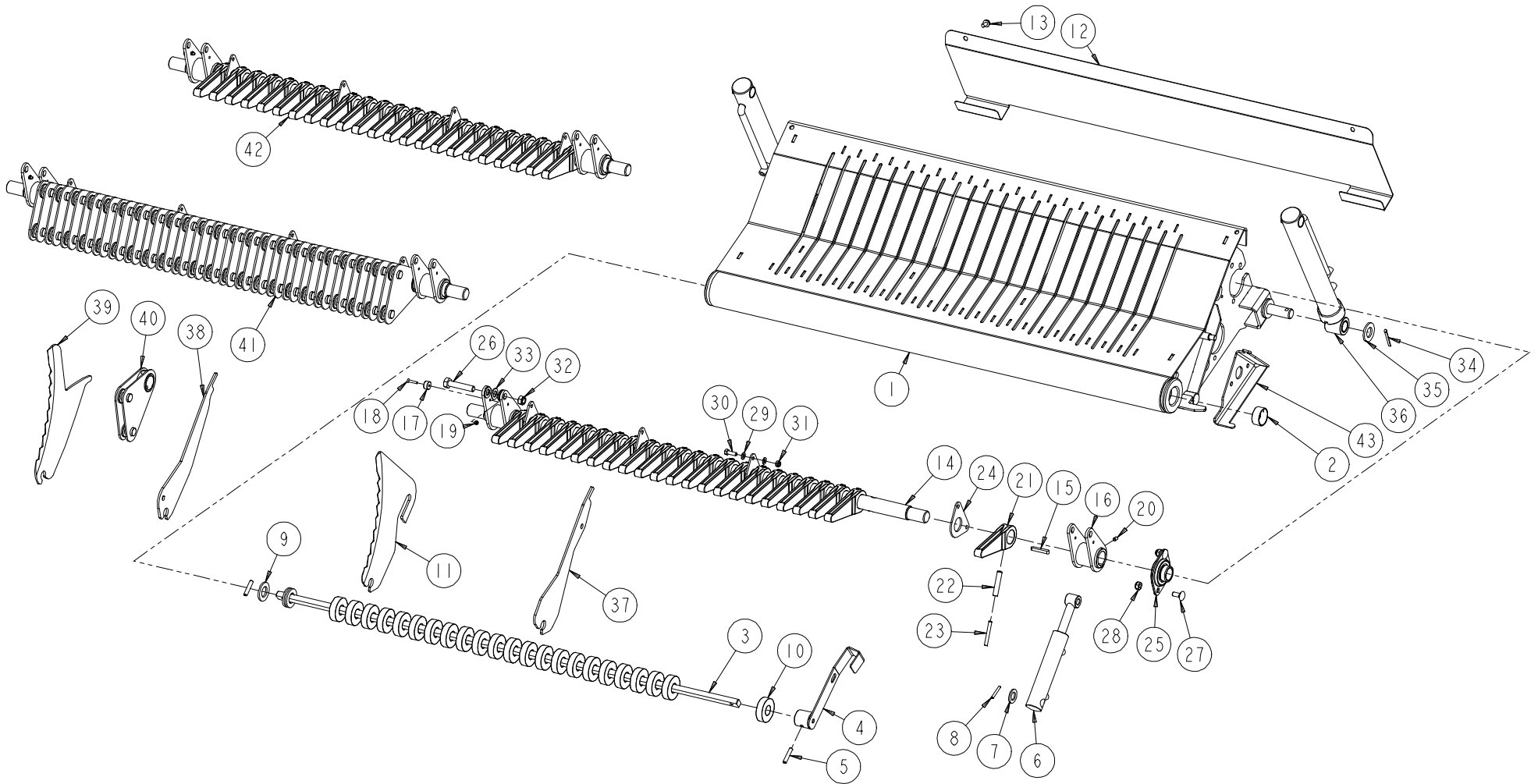
Pick-up 5 (498)



No.	Part No	Description	Qty
1	ACH02311	CHOPPER CHASSIS COMP WELD ASSY	1
2	ACH00317	23 KNIFE ROTOR WELD ASSY	1
2	ACH00573	15 KNIFE ROTOR WELD ASSY	1
3	CZD04345	4MM L AUGER CLEANING PLATE FUSION	1
4	CZD02227	4MM L CHOPPER UNIT PART	1
5	ACH00956	23 KNIFE COMB ASSY FUSION II	1
<i>MACHINES UP TO SERIAL NO. 654531 ALSO ORDER KIT PART NO. REP00044.</i>			
5	ACH01284	23 KNIFE COMB FUS BARREL WRAP	1
<i>NRF BARREL WRAP MACHINES ONLY</i>			
5	ACH02300	15 KNIFE COMB WELD ASSY (KOREA) F550	1
<i>KOREAN MACHINES ONLY</i>			
6	ACH00325	AUGER COMPLETE ASSY. (LEFT)	1
7	ACH00314	AUGER LEFT SIDE	1
8	CBR00076	BEARING 6008 2RS	1
9	ACH00423	BEARING HOUSING WELD ASSY.	1
10	CBR00001	BEARING 6007 2RS	1
11	CMH00633	SPROCKET 3/4" PITCH 19T DOUBLE	1
12	CFA00239	KEY 10X8X40	1
13	CXT00259	TUBE 42.4X3X16	1
14	CFA00625	M10 x 20 GRUBSCREW	1
15	ARC00181	ROTOR SEAL RING ASSY M10 BOLT	2
<i>UP TO SERIAL NO. 654530</i>			
15	ARC00227	GRASS GUARD 23K ROTOR END	1
<i>FROM SERIAL NO. 654531</i>			
15	ARC00182	ROTOR SEAL RING ASSY M10	2
<i>KOREAN MACHINES ONLY</i>			
16	CMT00063	CLUTCH PICK-UP (900 Nm)	1
17	CMH00727	PLATEWHEEL 3/4" PITCH 32T	1
18	CFA00024	SETSCREW M10X25 Z/P	6
19	CFA00251	WASHER SKM10	6
20	CBR00268	BEARING GLACIER DU 4	1
21	CFA00442	SETSCREW M10X25 CUP SQ	12
22	CFA00123	NUT M10 NYLOC	28
23	CZD00121	4MM L CUT & TIE SPACER Z/P	1
24	CFA00137	WASHER SPRING 10MM ZP HD	2
25	CFA00027	BOLT M10X60 Z/P	1
26	CFA00250	WASHER SKM12	4
27	CZB02160	1.5MM L SPUR GEAR GUARD BALER	1
28	CGD00057	GUARD SLIPCLUTCH PICKUP REEL	1
29	CPL00043	PLASTIC CHAIN TENSIONER (REEL)	1
30	CHY02505	STEEL PIPE ASSY PICK UP REEL	1
<i>FUSION 2</i>			
30	CHY02606	PIPE ASSY HYD CHOPPER UNIT	1
<i>FUSION 3</i>			
30a	CHY02786	STEEL PIPE WELD ASSY	1
<i>FUSION 3 WITH SELECTABLE-KNIVES ONLY</i>			
31	CFA00249	WASHER SKM8	9
32	CFA00101	SETSCREW M8X16 Z/P	6
33	CFA00106	BOLT M8X45 Z/P	2
34	CFA00133	NUT M8 Z/P	2

No.	Part No	Description	Qty
35	CFA00542	OILER FITTING 90 DEG 1/8" BSP	1
36	CZH02584	10MM L WASHER 40X10.5 Z/P	2
37	CFA00330	BOLT M12X80 Z/P	1
38	CFA00125	NUT M12 Z/P	1
39	CZF02215	6MM L WASHER 10.5X50X6 Z/P	2
40	CFA00075	BOLT M10X75 Z/P	1
41	CFA00132	NUT M8 NYLOC Z/P	2
42	CFA00251	WASHER SKM10	16
43	CFA00068	BOLT M10X25 CUP SQ. Z/P	7
44	CFA00512	SHIM 35X45X1.0 Z/P	3
45	CFA00514	CIRCLIP 35MM EXTERNAL	2
46	CBR00104	BEARING INA TME 40 GE 40 KPPB3	1
47	CFA00311	SETSCREW M10X35 Z/P	4
48	CZF02904	6MM L GUARD BRACKET BALER	2
49	CFA00553	GREASE NIPPLE M6X1.0 45 DEG	1
50	CFA00081	KEY 10X8X45	1
51	ALA00247	DROP FLOOR RAM PIN Z/P	2
52	CPL00087	NYLON STRIP	1

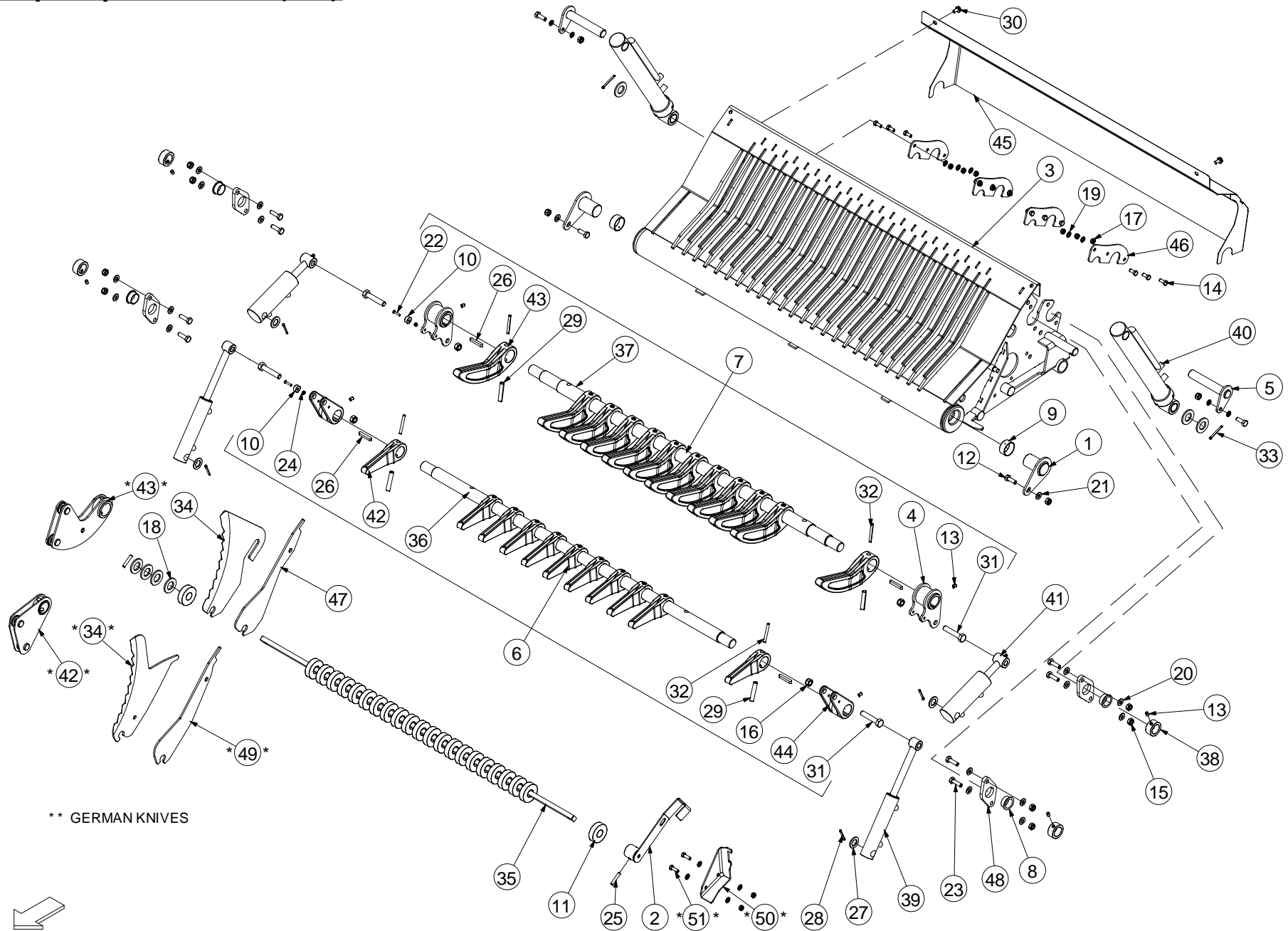
Pick-up drop floor (393)



No.	Part No	Description	Qty
1	ACH00299	CHOPPER KNIFE FLOOR WELD ASSY	1
<i>F5/V6 SERIES ONLY</i>			
1	ACH02325	23K DROP FLOOR WELD ASSY	1
<i>FUSION SERIES ONLY</i>			
2	CBR00268	BEARING GLACIER DU 4	2
3	CMH00641	SHAFT 22 X 1310	1
4	ACH00323	KNIFE RELEASE LEVER ASSY	1
5	CFA00009	ROLL PIN 8X40	2
6	CRA00185	RAM KNIFE ACTUATION BW	2
7	CFA00413	WASHER FLAT 20MM Z/P	4
8	CFA00073	ROLL PIN 6X40	2
9	CFA00135	WASHER FLAT 1" Z/P	4
10	CEL00154	MAGNET 60 X24 X 17	23
11	CKN00014	KNIFE CHOPPER UNIT	1
<i>STANDARD KNIVES</i>			
12	CZB02203	1.5MM L GRASS GUARD	1
13	CFA00519	SETSCREW M8X16 FLD ZP	1
14	CMH01068	SHAFT35X1300	1
15	CFA00387	KEY 8X7X50	2
16	CTP00372	KNIFE RAM ACTUATOR CAST	2
<i>REPLACES ACH02286</i>			
17	CEL00059	MAGNET 20 X 10 260369	1
18	CFA00261	SETSCREW M5X25 CSK HEX SS	1
19	CFA00348	NUT M5 NYLOC SS	1
20	CFA00051	GRUBSCREW M8X10	2
21	CTP00266	KNIFE ACTUATOR ARM	23
22	CFA00504	ROLL PIN 12X60 Z/P	23
23	CFA00642	ROLL PIN M7X60	23
24	CZD04279	4MM L KNIFE ARM LOCK BAR	4
25	CBR00072	BEARING INA 2 BOLT RAE 30 NPPB	2
26	CFA00547	BOLT M14X70 Z/P	2
27	CFA00068	BOLT M10X25 CUP SQ. Z/P	4
28	CFA00123	NUT M10 NYLOC	4
29	CFA00147	WASHER FLAT 8MM Z/P	16
30	CFA00102	SETSCREW M8X25 Z/P	8
31	CFA00132	NUT M8 NYLOC Z/P	8
32	CFA00126	NUT M14 NYLOC	2
33	CFA00222	WASHER FLAT 14MM Z/P	8
34	CFA00669	SPLIT PIN 8X50 Z/P	2
35	CFA00135	WASHER FLAT 1" Z/P	6
36	CRA00193	RAM CHOPPER FLOOR 20	2
37	CZE00143	5MM L KNIFE BLANK BALER	11
<i>STANDARD KNIVES</i>			
38	CZE00168	5MM L KNIFE BLANK (GERMAN)	11
<i>GERMAN KNIVES ONLY</i>			
39	CKN00016	KNIFE FOR GERMAN DROP FLOOR	23
<i>GERMAN KNIVES ONLY</i>			
40	ACN00055	KNIFE HOLDER GERMAN	23
<i>GERMAN KNIVES ONLY</i>			

No.	Part No	Description	Qty
41	ALA00204	23 KNIFE ARM ASSY (GERMAN)	1
<i>GERMAN KNIVES [Specify Machine type/Serial No + Year of manufacture when ordering this part]</i>			
42	ALA00202	23 KNIFE ARM ASSY (STANDARD)	1
<i>STANDARD KNIVES [Specify Machine type/Serial No + Year of manufacture when ordering this part]</i>			
43	CZD02356	LOCK BRACKET FOR GERMAN	1
<i>GERMAN KNIVES ONLY</i>			

Pick-up drop floor select (803)

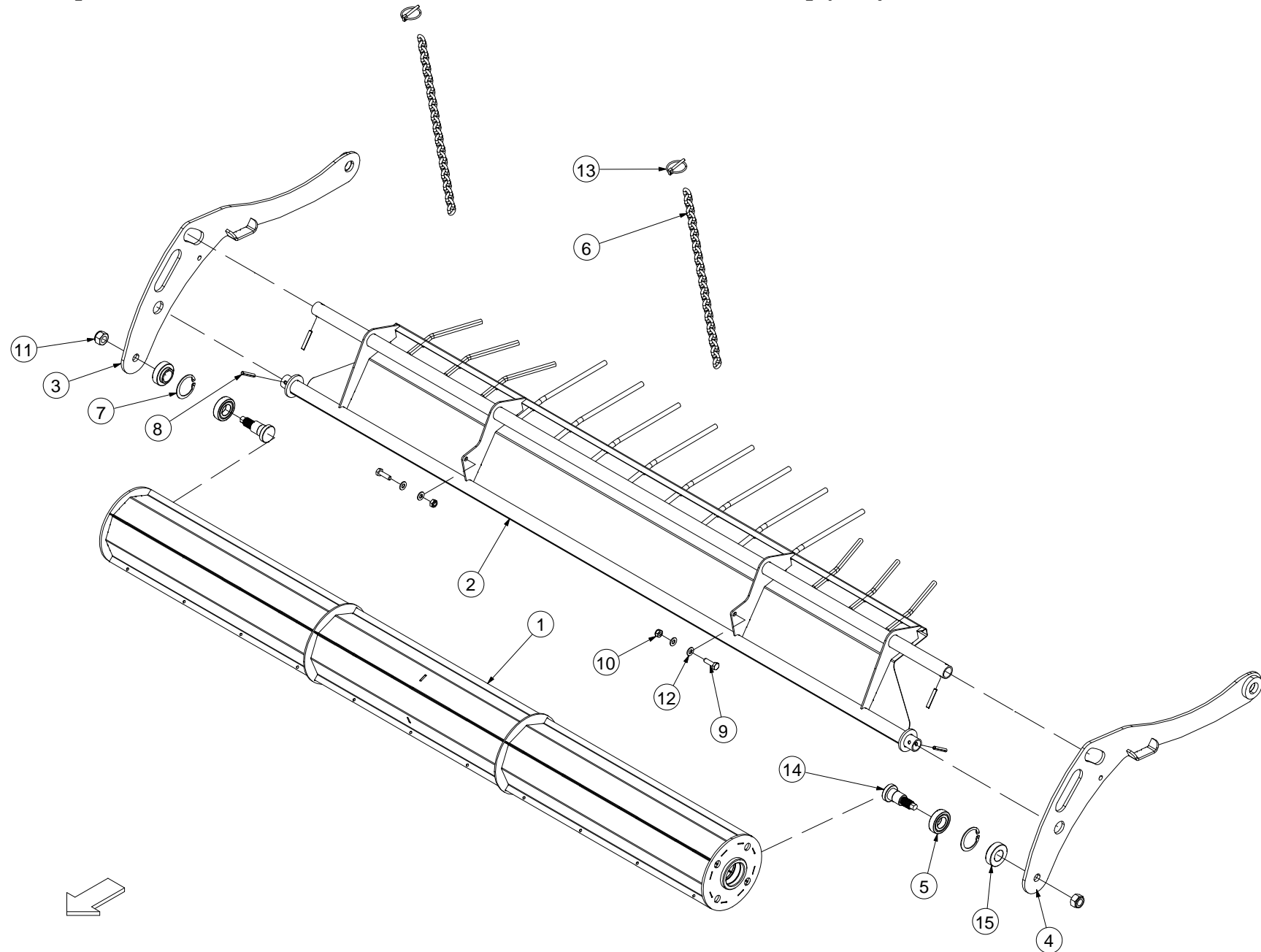


** GERMAN KNIVES

No.	Part No	Description	Qty
1	ACH00321	PIN CHOPPER FLOOR HINGE Z/P	2
2	ACH00323	KNIFE RELEASE LEVER ASSY	1
3	ACH01093	DROP FLOOR WELD ASSY	1
<i>23 KNIFE</i>			
3	ACH01113	DROP FLOOR WELD ASSY	1
<i>15 KNIFE</i>			
4	ACH01096	KNIFE ACTUATOR SELECT KNIFE	2
5	ALA00247	DROP FLOOR RAM PIN Z/P	2
6	ALA00436	23K SELECT KNIFE ARM 1 ASSY	1
<i>STANDARD KNIVES (23 KNIFE SHOWN) INCLUDES ITEMS 10, 16, 24, 26, 29, 31, 32, 36, 42 & 44</i>			
6	ALA00460	15K ARM 1 SELECT KNIFE ASM	1
<i>STANDARD KNIVES (15 KNIFE) INCLUDES ITEMS 10, 16, 24, 26, 29, 31, 32, 36, 42 & 44</i>			
6	ALA00488	23K GERMAN SELECT FRONT ARM ASSY	1
<i>** GERMAN KNIVES (23 KNIFE) INCLUDES ITEMS 10, 16, 24, 26, 29, 31, 32, 36, 42 & 44</i>			
6	ALA00466	15K ARM 1 SELECT KNIFE	1
<i>** GERMAN KNIVES (15 KNIFE) INCLUDES ITEMS 10, 16, 24, 26, 29, 31, 32, 36, 42 & 44</i>			
7	ALA00437	23K SELECT KNIFE ARM 2 ASSY	1
<i>STANDARD KNIVES (23 KNIFE SHOWN) INCLUDES ITEMS 4, 10, 13, 22, 26, 29, 31, 32, 37 & 43</i>			
7	ALA00461	15K ARM 2 ASSY SELECT KNIFE	1
<i>STANDARD KNIVES (15 KNIFE) INCLUDES ITEMS 4, 10, 13, 22, 26, 29, 31, 32, 37 & 43</i>			
7	ALA00489	23K GERMAN SELECT KNIFE ARM ASSY	1
<i>** GERMAN KNIVES (23 KNIFE) INCLUDES ITEMS 4, 10, 13, 22, 26, 29, 31, 32, 37 & 43</i>			
7	ALA00465	15K GERMAN SELECT KNIFE ARM 2	1
<i>** GERMAN KNIVES (15 KNIFE) INCLUDES ITEMS 4, 10, 13, 22, 26, 29, 31, 32, 37 & 43</i>			
8	CBR00068	BEARING 30X34X16 STEPPED PLAS	4
9	CBR00268	BEARING GLACIER DU 4	2
10	CEL00059	MAGNET 20 X 10 260369	2
11	CEL00154	MAGNET 60 X24 X 17	23
12	CFA00025	SETSCREW M10X30	4
13	CFA00051	GRUBSCREW M8X10	8
14	CFA00052	SETSCREW M8X20 Z/P	12
15	CFA00123	NUT M10 NYLOC	12
16	CFA00126	NUT M14 NYLOC	4
17	CFA00132	NUT M8 NYLOC Z/P	14
18	CFA00135	WASHER FLAT 1" Z/P	8
19	CFA00147	WASHER FLAT 8MM Z/P	20
20	CFA00201	WASHER FLAT 10 MM Z/P	16
21	CFA00251	WASHER SKM10	2
22	CFA00261	SETSCREW M5X25 CSK HEX SS	2
23	CFA00311	SETSCREW M10X35 Z/P	8
24	CFA00348	NUT M5 NYLOC SS	2
25	CFA00380	ROLL PIN 8X40 Z/P	2
26	CFA00387	KEY 8X7X50	4
27	CFA00413	WASHER FLAT 20MM Z/P	4
28	CFA00475	SPLIT PIN 5X40 Z/P	4
29	CFA00504	ROLL PIN 12X60 ZP	23
30	CFA00519	SETSCREW M8X16 FLD ZP	2
31	CFA00547	BOLT M14X70 Z/P	4
32	CFA00642	ROLL PIN 7X60 Z/P	23
33	CFA00669	SPLIT PIN 8X50 Z/P	2

No.	Part No	Description	Qty
34	CKN00014	KNIFE CHOPPER UNIT	23
<i>STANDARD KNIVES</i>			
34	CKN00016	KNIFE FOR GERMAN DROP FLOOR	23
<i>** GERMAN KNIVES</i>			
35	CMH00641	SHAFT 22 X 1310	1
36	CMH01225	SHAFT35X1300	1
<i>23 KNIFE (SHOWN)</i>			
36	CMH01069	SHAFT35X1300	1
<i>15 KNIFE</i>			
37	CMH01308	SHAFT40X1300	1
<i>23 KNIFE (SHOWN)</i>			
37	CMH01358	SHAFT40X1300	1
<i>15 KNIFE</i>			
38	CMH01314	BUSH 30X40X20	4
39	CRA00185	RAM KNIFE ACTUATION BW	2
40	CRA00193	RAM CHOPPER FLOOR 20	2
41	CRA00637	RAM 45X20 SELECT KNIFE	2
42	CTP00266	KNIFE ACTUATOR ARM	11
<i>STANDARD KNIVES</i>			
42	ACN00055	KNIFE HOLDER GERMAN 12MM HOLE	11
<i>** GERMAN KNIVES</i>			
43	CTP00360	KNIFE ARM SELECTABLE FLOOR	12
<i>STANDARD KNIVES</i>			
43	ALA00467	KNIFE ARM ASSY SELECT KNIFE	12
<i>** GERMAN KNIVES</i>			
44	CTP00372	KNIFE RAM ACTUATOR	2
45	CZB00230	1.5MM DROP FLOOR GRASS GUARD	1
46	CZD02628	4MM L DROP FLOOR PART	4
47	CZE00143	5MM L KNIFE BLANK BALER	1
<i>STANDARD KNIFE BLANK</i>			
48	CZH03537	10MM L SHAFT BUSH BRACKET	4
49	CZE00168	5MM L KNIFE BLANK (GERMAN)	1
<i>** GERMAN KNIFE BLANK</i>			
50	CZD02647	4MM L KNIFE LOCK BRACKET	1
<i>** GERMAN KNIVES ONLY</i>			
51	CFA00102	SETSCREW M8X25 Z/P	2
<i>** GERMAN KNIVES ONLY</i>			

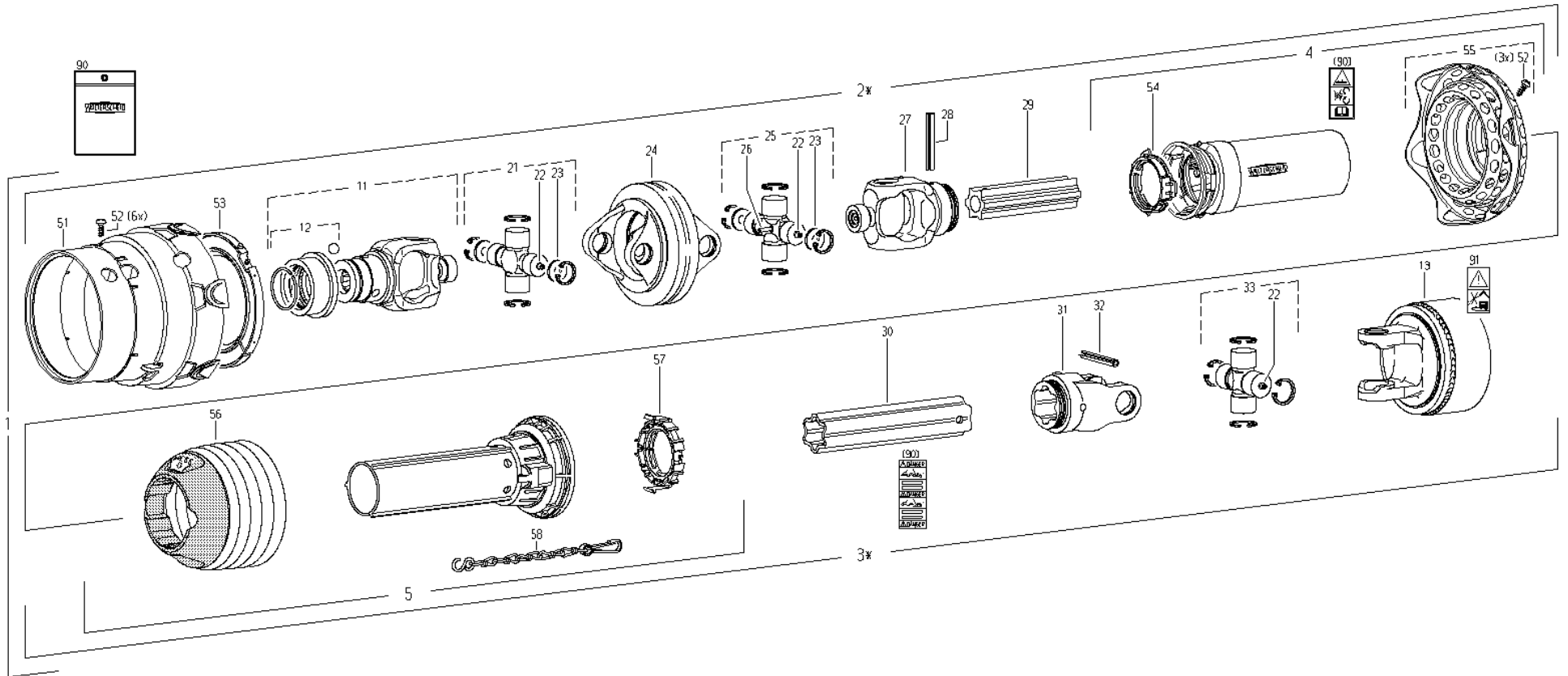
Crop roller [On Fusion-F5-V6 from Serial No 655681-706661-800616] (775)



No.	Part No	Description	Qty
1	ARC00324	CROP ROLLER WELD ASSY SMALL	1
2	ARC00325	CROP ROLLER COVER PLATE ASSY	1
3	ARC00326	CROP ROLLER SIDE PLATE ASSY (RHS)	1
4	ARC00327	CROP ROLLER SIDE PLATE ASSY (LHS)	1
5	CBR00299	BEARING 206 NPPB 30MM SPHERICAL	2
6	CCH00186	CHAIN 7X20 X 30 LINKS	2
7	CFA00002	CIRCLIP INTERNAL 20X1 DIN 472	2
8	CFA00010	ROLL PIN 8X50 Z/P	4
9	CFA00016	BOLT M10X35	2
10	CFA00123	NUT M10 NYLOC	2
11	CFA00129	NUT M20 NYLOC	2
12	CFA00201	WASHER FLAT 10 MM Z/P	4
13	CFA00202	LINCH PIN 6MM	2
14	CMH00148	SHAFT 30X95 M20 THREAD	2
15	CMH01445	BUSH 30X50X25 Z/P	2

No.	Part No	Description	Qty
-----	---------	-------------	-----

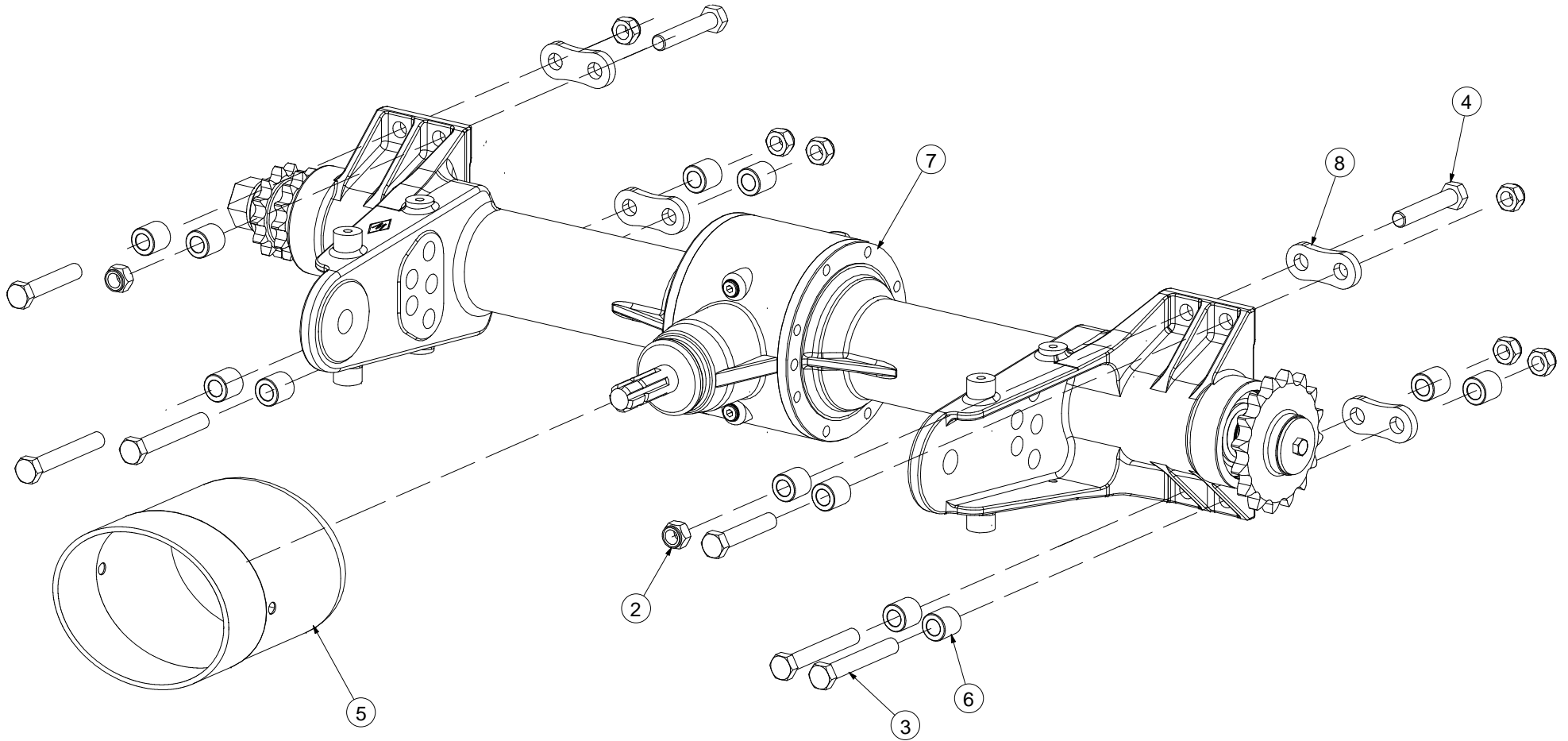
PTO shaft [PWE580]



No.	Part No	Description	Qty
1	CMT00230	PTO SHAFT P580 FUSION2 +2011	1
2	CMT00255	PTO SHAFT TRACTOR HALF P580 2011	1
3	CMT00256	PTO SHAFT BALER HALF P580 2011	1
4	CMT00231	PTO GUARD TRACTOR SIDE	1
5	CMT00232	PTO GUARD BALER SIDE	1
11	CMT00233	YOKE COMPLETE HD PTO	1
<i>WITH STD METAL PULL RING</i>			
11	CMT00338	YOKE COMPLETE HD PTO QS	1
<i>WITH BLACK PLASTIC QS AUTO SNAP RING</i>			
12	CMT00212	KIT QUICK RELEASE HD PTO	1
<i>STD METAL PULL RING</i>			
12	CMT00337	KIT QUICK RELEASE HD PTO QS	1
<i>BLACK PLASTIC QS AUTO SNAP RING</i>			
13	CMT00213	CLUTCH CAM TYPE	1
21	CMT00235	UNIVERSAL JOINT WIDE ANGLE	2
22	CFA00097	GREASE NIPPLE	3
23	CMT00215	PLATE DIA. 31.95X2	4
24	CMT00234	PTO DOUBLE YOKE	1
25	CMT00236	UNIVERSAL JOINT WIDE ANGLE	1
26	CMT00237	LUBRICATION FITTING	1
27	CMT00238	PTO YOKE	1
28	CFA00629	SPLIT PIN 10X80	1
29	CMT00218	PROFILE TUBE INNER	1
30	CMT00239	PROFILE TUBE STAR OUTER	1
31	CMT00220	YOKE PTO	1
32	CFA00871	ROLL PIN 10X90	1
33	CMT00240	PTO UNIVERSAL JOINT	1
51	CMT00222	GUARD CONE	1
52	CFA00630	SCREW M4X10 FUSION PTO	9
53	CMT00170	BEARING RING PTO FUSION	1
54	CMT00095	BEARING RING SMALL FUSION PTO	1
55	CMT00189	FLEXIBLE GUARD CONE	1
56	CMT00241	PTO GUARD CONE	1
57	CMT00242	PTO GUARD RING	1
58	CCH00046	SAFETY CHAIN 400MM FUSION PTO	1
90	CLT00326	PTO PWE580 INSTRUCTION MANUAL	1
91	CST00133	DECAL NO HIGH PRESSURE CLEANER	1

No.	Part No	Description	Qty
-----	---------	-------------	-----

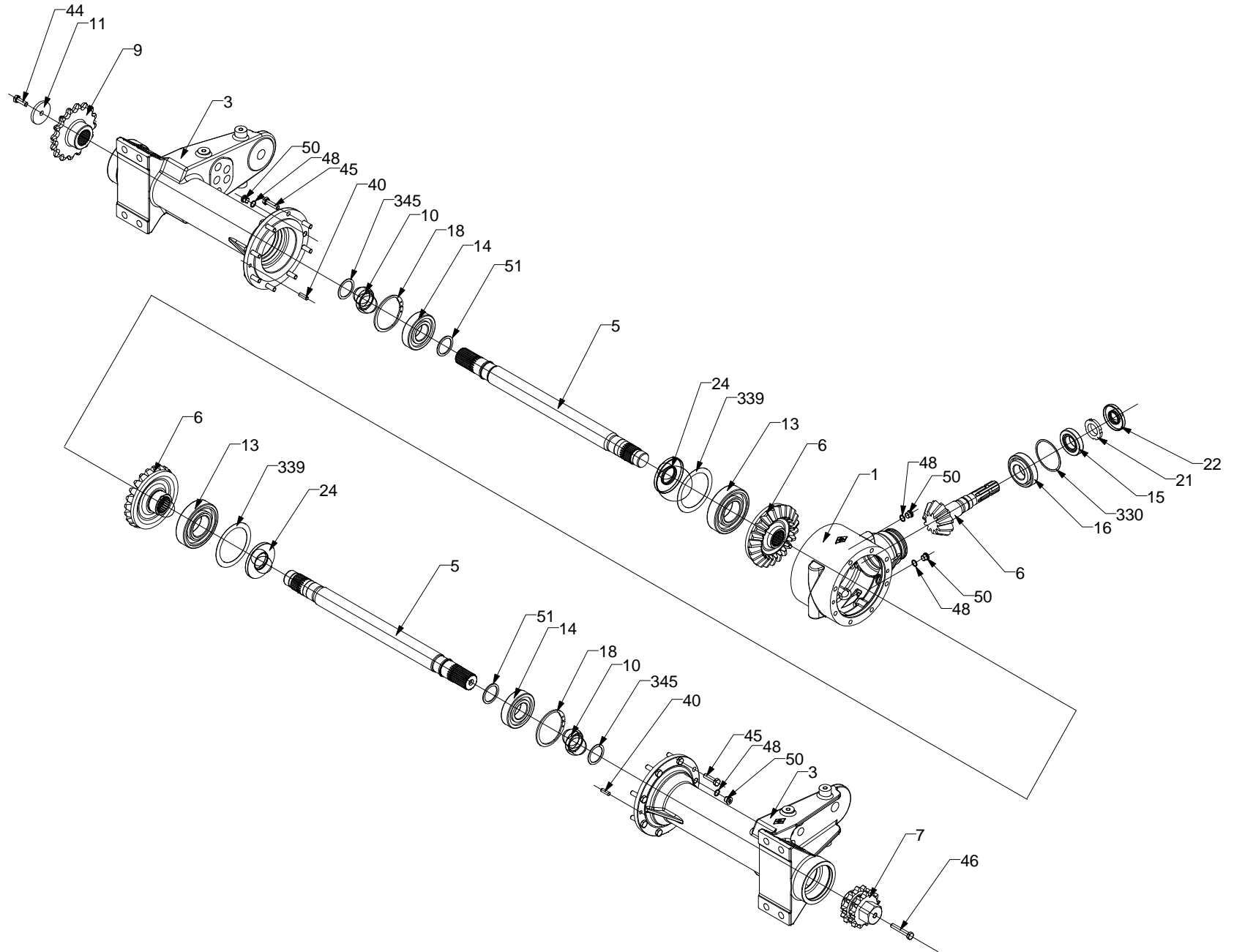
Gearbox 1 (831)



No.	Part No	Description	Qty
2	CFA00418	NUT M20X1.5 NYLOC FINE GRADE 10.0	8
3	CFA00785	BOLT M20X140 FINE 10.9 SC	4
4	CFA02224	BOLT M20X110X1.5 10.9 BLACK	4
5	CGD00037	GUARD WALTERSCHEID GEARBOX	1
6	CMH01118	BUSH 20.5X35X35 Z/P	12
7	CMT00166	GEARBOX BALER WALTERSCHEID	1
8	CZI02039	12MM L CHASSIS PART FUSION	4

No.	Part No	Description	Qty
-----	---------	-------------	-----

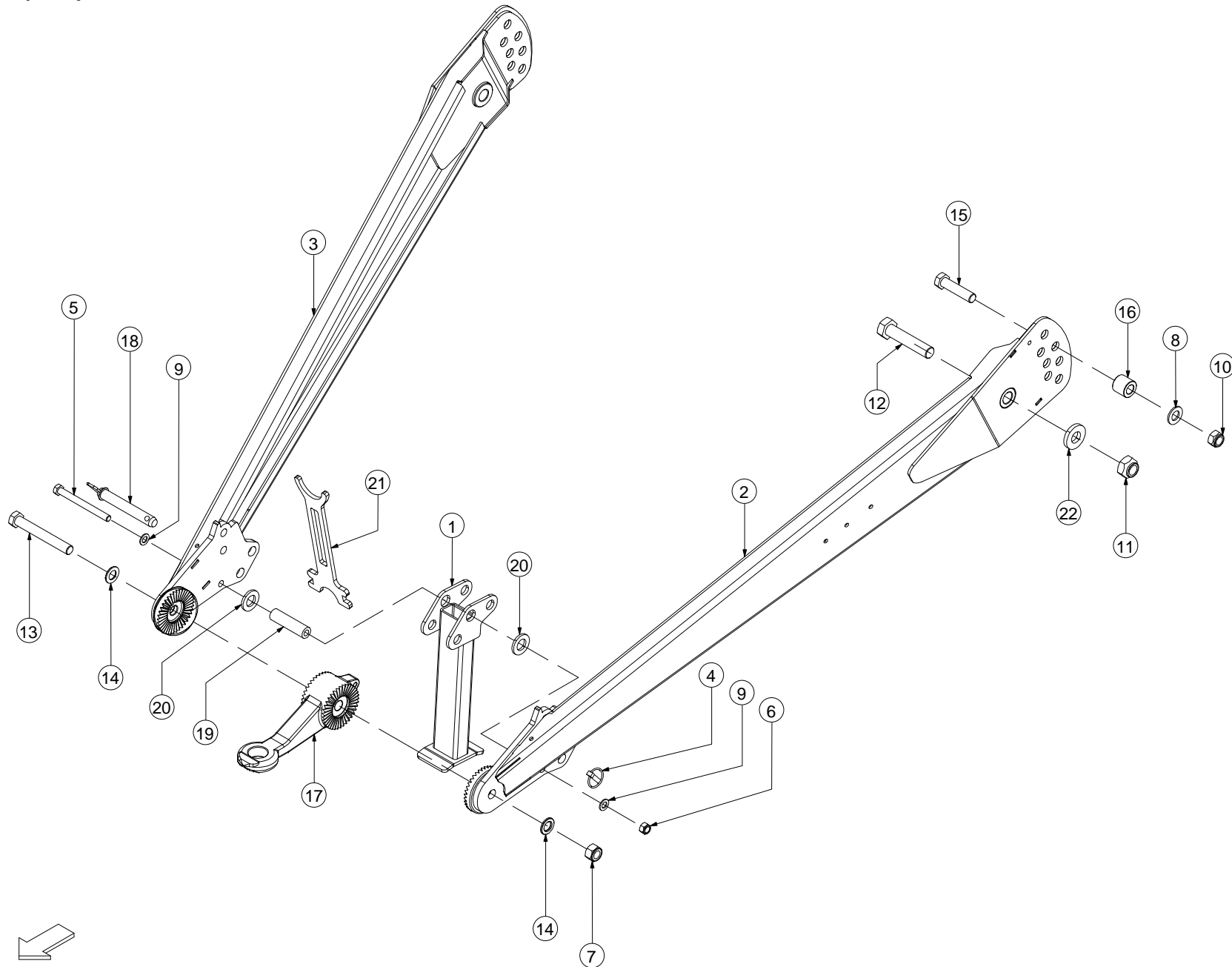
Gearbox 2 (490)



No.	Part No	Description	Qty
0	CMT00166	GEARBOX COMPLETE WALTERSCHEID	1
1	CMT00100	GEAR CASE	1
<i>UP TO SERIAL NO. 654807</i>			
1	CMT00245	GEAR CASE	1
<i>FROM SERIAL NO. 654808</i>			
3	CMT00187	BEARING HOUSING	2
<i>UP TO SERIAL NO. 654807</i>			
3	CMT00246	BEARING HOUSING	2
<i>FROM SERIAL NO. 654808</i>			
5	CMH00901	REPLACEMENT SHAFT COMPLETE KIT	2
<i>UP TO SERIAL NO. 654807</i>			
5	CMH02505	SHAFT	2
<i>FROM SERIAL NO. 654808</i>			
6	CMH00902	GEAR SET CROWN+PINION FUSION WALT.	1
<i>UP TO SERIAL NO. 654807</i>			
6	CMH02461	BEVEL GEAR PAIR AND PINION KIT	1
<i>FROM SERIAL NO. 654808</i>			
7	CMH02535	SPROCKET 13T DUPLEX	1
9	CMH02531	SPROCKET 1 1/4" 16T 50MM SPLINE	1
10	CMH00810	BUSH 45X55X18	2
11	CZE00115	BALE SPLITTER WASHER	1
13	CBR00114	BEARING 6213 C3	2
<i>UP TO SERIAL NO. 654807</i>			
13	CBR00296	BEARING 6313 C3	2
<i>FROM SERIAL NO. 654808</i>			
14	CBR00113	BEARING 6310 2RSR	2
15	CBR00115	BEARING 30208A	1
16	CBR00116	BEARING 30309A	1
18	CFA00652	CIRCLIP 110X4	2
21	CFA00653	NUT M40X1.5	1
22	CSE00132	RADAIL SEAL 35X80X10	1
24	CSE00133	RADAIL SEAL 50X90X10	2
<i>UP TO SERIAL NO. 654807</i>			
24	CSE00162	SEAL RADIAL 50X110X10	2
<i>FROM SERIAL NO. 654808</i>			
40	CFA00662	CYLINDRICAL DOWEL M6X32	2
44	CFA00033	SETSCREW M12X35 Z/P	1
45	CFA00065	SETSCREW M12X45 Z/P	16
46	CFA00036	SETSCREW M12X70 Z/P	1
48	CSE00127	SEAL O-RING COPPER GEARBOX FSN	4
50	CMT00073	DRAIN PLUG GEARBOX FUSION	4
51	CMH00903	BUSH	2
<i>UP TO SERIAL NO. 654807</i>			
51	CMH02460	SPACER RING 50X62X3 DIN988	2
<i>FROM SERIAL NO. 654808</i>			
330	CFA00654	SHIM 90X100X0.1	2
330	CFA00655	SHIM 90X100X0.3	1
330	CFA00656	SHIM 90X100X0.5	1
330	CFA00657	SHIM 90X100X1.0	0.5
330	CFA02237	SHIM 90X100X0.15	1
339	CFA00658	SHIM 110X120X0.1	2
<i>UP TO SERIAL NO. 654807</i>			

No.	Part No	Description	Qty
339	CFA00659	SHIM 110X120X0.3	2
<i>UP TO SERIAL NO. 654807</i>			
339	CFA00660	SHIM 110X120X0.5	2
<i>UP TO SERIAL NO. 654807</i>			
339	CFA00661	SHIM 110X120X0.5	1
<i>UP TO SERIAL NO. 654807</i>			
339	CFA02238	SHIM 110X120X0.15	2
<i>UP TO SERIAL NO. 654807</i>			
339	CFA00888	SHIM 110X140X0.1	2
<i>FROM SERIAL NO. 654808</i>			
339	CFA00889	SHIM 110X140X0.3	2
<i>FROM SERIAL NO. 654808</i>			
339	CFA00890	SHIM 110X140X0.5	2
<i>FROM SERIAL NO. 654808</i>			
339	CFA00891	SHIM 110X140X1.0	1
<i>FROM SERIAL NO. 654808</i>			
345	CFA02239	SHIM 50X62X2.0	2
400	REP00025	GEARBOX REPAIR KIT	1
<i>UP TO SERIAL NO. 654807</i>			
500	REP00059	GEARBOX REPAIR KIT	1
<i>FROM SERIAL NO. 654808</i>			

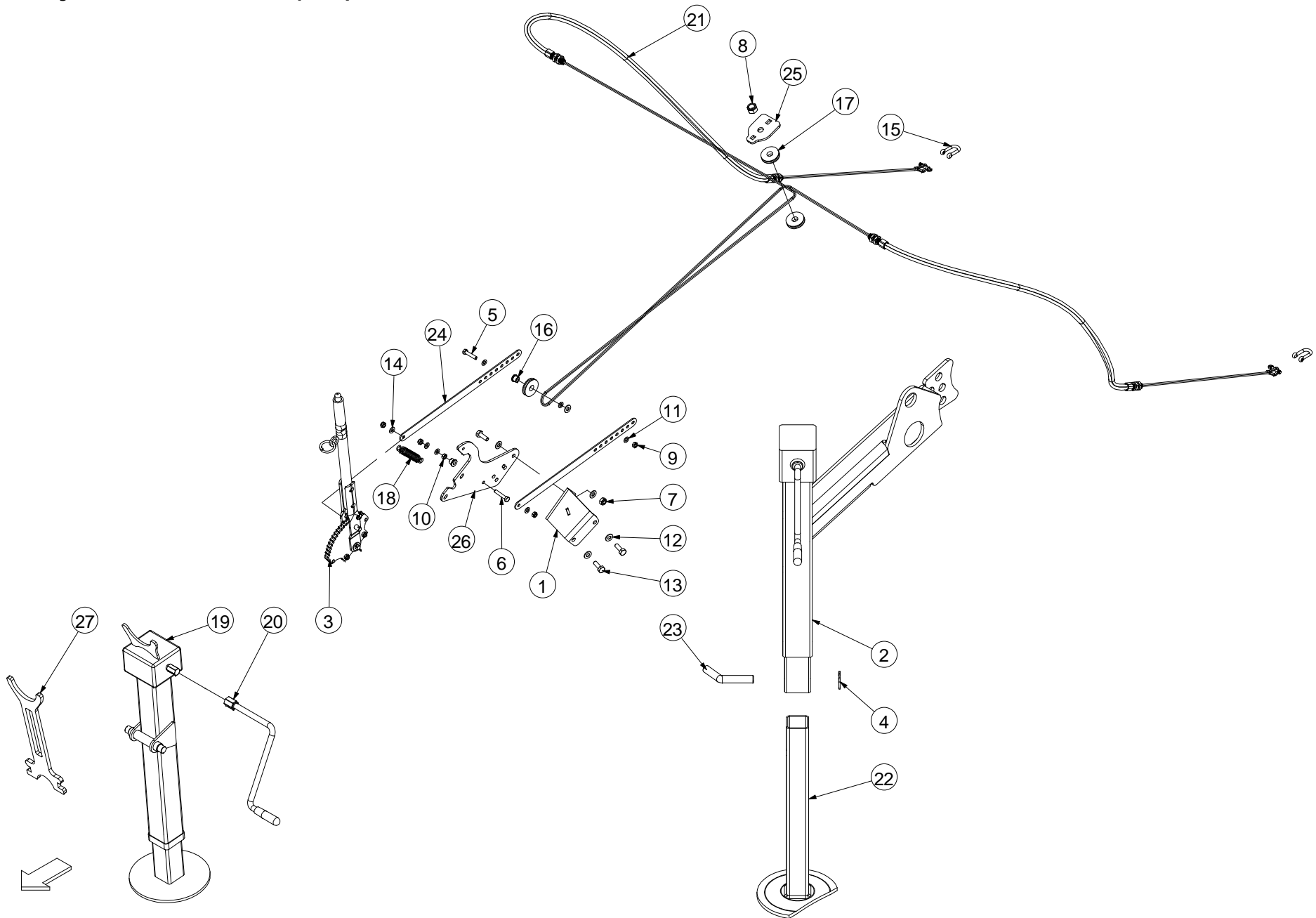
Drawbar (488)



No.	Part No	Description	Qty
0	ADB00140	DRAWBAR ASSEMBLY HIGH STRENGTH	1
1	ADB00068	DRAWBAR STAND F550	1
2	ADB00141	DRAWBAR BEAM LH HIGH STRENGTH	1
3	ADB00142	DRAWBAR BEAM RH HIGH STRENGTH	1
4	CFA00005	LINCH PIN 10MM	1
5	CFA00061	BOLT M16X170 ZP DIN931 8.8 ZP	1
6	CFA00128	NUT M16 NYLOC	1
7	CFA00419	NUT M24X2 NYLOC DIN985 8.8 ZP	1
	<i>REPLACES CFA00130</i>		
8	CFA00135	WASHER FLAT 1" Z/P	2
9	CFA00140	WASHER FLAT 16MM Z/P	2
10	CFA00419	NUT M24X2 NYLOC DIN985 8.8 ZP	2
	<i>REPLACES CFA02216</i>		
11	CFA00420	NUT M30X2 NYLOC FINE THREAD DIN985 8.8 ZP	2
12	CFA00522	BOLT M30X2X150 FINE THREAD DIN960 10.9 Z/P	2
13	CFA00679	BOLT M24X2X180 DIN960 10.9 ZP	1
	<i>REPLACES CFA00795</i>		
14	CFA00796	DIN6916 WASHER M24 PEINER GALV	2
15	CFA00748	BOLT M24X2X120 DIN960 10.9 ZP	2
	<i>REPLACES CFA02215</i>		
16	CMH01005	BUSH 44.45X20X40	2
17	CTP00092	HITCH EYE ST BALER	1
18	CTP00265	PIN HITCH 1" F550 DRAWBAR	1
19	CXT00419	C030X7X112	1
20	CZF04263	6MM L DRAWBAR WASHER Z/P	2
21	CZH02914	10MM L PTO STAND PAR	1
22	CZH04335	10MM L WASHER 30x65x10 Z/P	2

No.	Part No	Description	Qty
-----	---------	-------------	-----

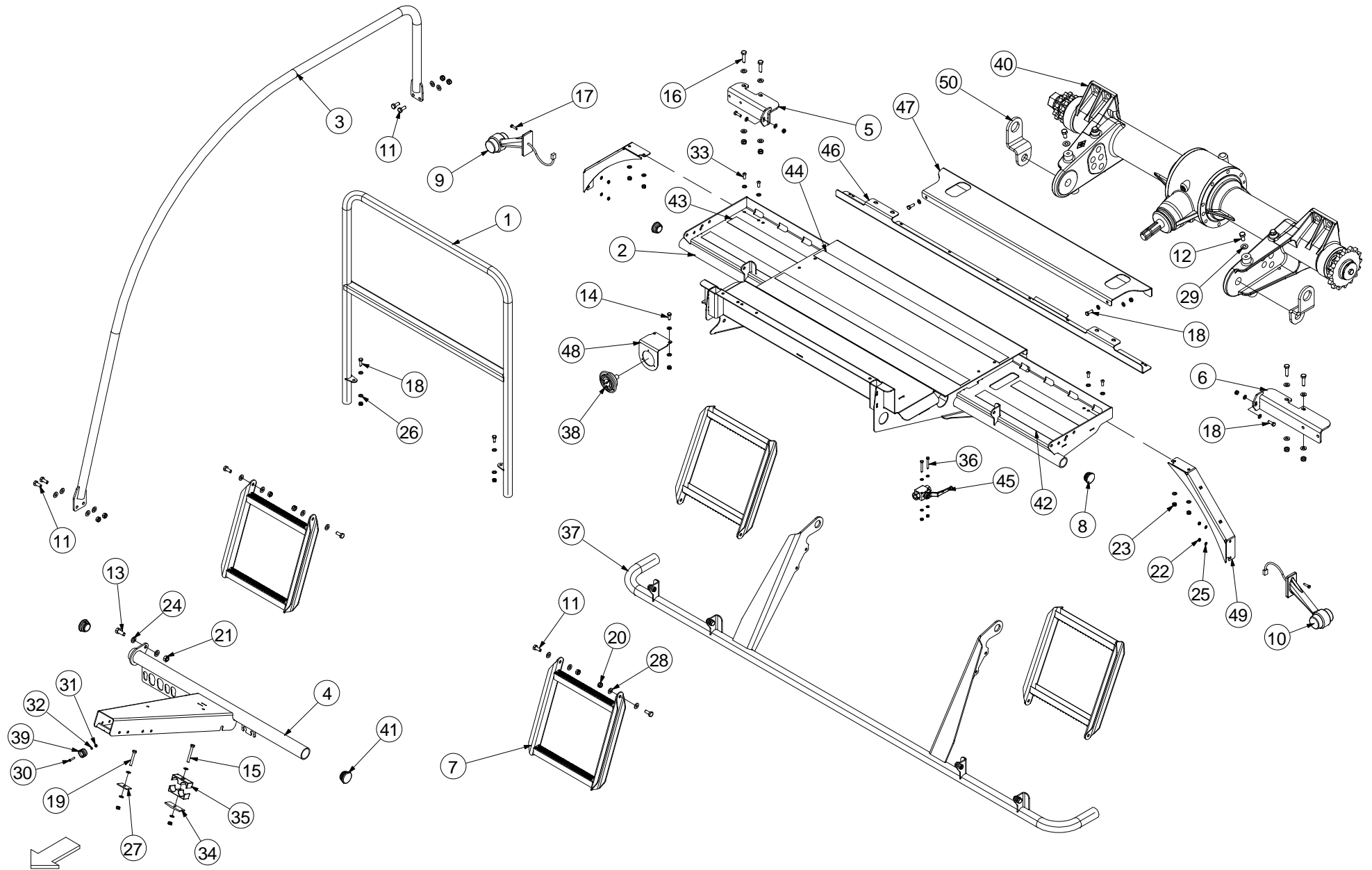
Screw jack & Handbrake (812)



No.	Part No	Description	Qty
1	ADB00120	HANDBRAKE LEVER BRACKET	1
2	ADB00158	SCREW TYPE JACK FUSION	1
<i>HIGH-HITCH (INCLUDES ITEMS 4, 22 & 23)</i>			
3	CAX00090	HAND BRAKE LEVER	1
<i>USED ON STANDARD MACHINES</i>			
3	CAX00154	HAND BRAKE LEVER COMP ASSY	1
<i>USED ON FRENCH MACHINES ONLY</i>			
4	CFA00004	R-CLIP 4MM	1
5	CFA00100	BOLT M8X40 Z/P	1
6	CFA00106	BOLT M8X45 Z/P	1
7	CFA00123	NUT M10 NYLOC	5
8	CFA00128	NUT M16 NYLOC	1
9	CFA00132	NUT M8 NYLOC Z/P	4
10	CFA00133	NUT M8 Z/P	1
11	CFA00147	WASHER FLAT 8MM Z/P	6
12	CFA00201	WASHER FLAT 10 MM Z/P	11
13	CFA00230	SETSCREW M10X30 Z/P	5
14	CFA00249	WASHER SKM8	1
15	CFA02217	D SHACKLE 0.5T Z/P	2
16	CMH00742	BUSH 8X20X13 ZINC PLATED	2
17	CMH01186	PULLEY 50X10X16 6MM ROPE	3
18	CSG00211	SRING COIL 3 X 19 X 135 27COILS	1
19	CTP00294	PARKING JACK FUSION	1
<i>LOW-HITCH (INCLUDES ITEM 20)</i>			
20	CTP00297	PARKING JACK HANDLE	1
<i>LOW HITCH ONLY</i>			
21	CTP00333	HANDBRAKE CABLE FUSION	1
22	CTP00384	EXT PIECE PARKING JACK	1
23	CTP10002	PIN PARKING JACK BALER	1
24	CZC04376	3MM L FUSION HANDBRAKE	2
25	CZF03267	6MM L PULLEY COVER FUSION	1
26	CZF05030	6MM L HAND BRAKE LEVER BASE	1
27	CZH02914	10MM L PTO STAND PAR	1
<i>USED WITH LOW DRAWBAR HITCH ONLY</i>			
27	ADB00163	HIGH DRAWBAR PTO HOLDER	1
<i>USED WITH HIGH DRAWBAR HITCH ONLY</i>			

No.	Part No	Description	Qty
-----	---------	-------------	-----

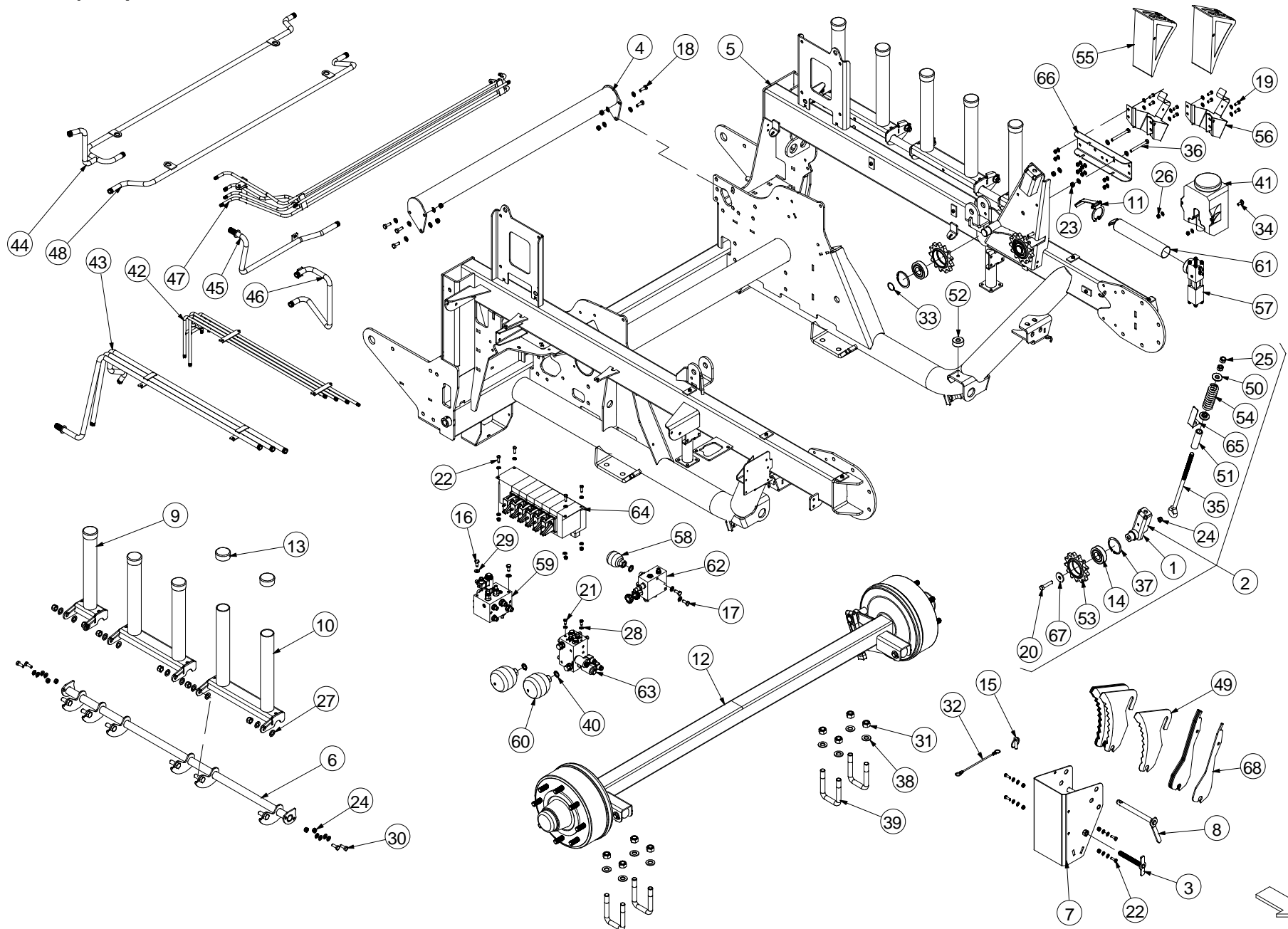
Steps & platform (806)



No.	Part No	Description	Qty
1	ACH01269	HAND RAIL FRONT PLATFORM	1
2	ACH02579	PLATFORM WELD ASM PLASTIC PANEL F3	1
3	ACH02578	CURVED HAND RAIL WELD ASM F3	2
4	ACN00059	HOSE TRAY FRONT FUSION II WELD ASSY	1
5	ALA00548	PLATFORM BRACKET ASSY RH FUSION 3	1
6	ALA00549	PLATFORM BRACKET ASSY LH FUSION 3	1
7	ART00349	LOWER STEP ASSEMBLY F5	4
8	CBC00005	CAP PLASTIC INSERT 42.4MM RND	2
9	CEL00842	CORNER MARKER LIGHTS RUBBER	1
10	CEL00843	CORNER MARKER LIGHTS RUBBER	1
11	CFA00025	SETSCREW M10X30 Z/P	12
<i>REPLACES CFA00024</i>			
12	CFA00031	SETSCREW M12X25 Z/P	4
13	CFA00032	SETSCREW M12X30 Z/P	1
14	CFA00052	SETSCREW M8X20 Z/P	2
15	CFA00056	BOLT M8X65 Z/P	1
16	CFA00071	BOLT M10X40	4
17	CFA00098	SETSCREW M6X25 Z/P	4
18	CFA00102	SETSCREW M8X25 Z/P	5
19	CFA00108	BOLT M8X55 Z/P	1
20	CFA00123	NUT M10 NYLOC	16
21	CFA00124	NUT M12 NYLOC	1
22	CFA00131	NUT M6 NYLOC	4
23	CFA00132	NUT M8 NYLOC Z/P	13
24	CFA00138	WASHER FLAT 12MM Z/P	2
25	CFA00144	WASHER FLAT 6MM Z/P	4
26	CFA00147	WASHER FLAT 8MM Z/P	26
27	CFA00183	HOSE CLAMP COVER PLATE 14-18	1
28	CFA00201	WASHER FLAT 10 MM Z/P	30
29	CFA00250	WASHER SKM12	4
30	CFA00261	SETSCREW M5X25 CSK HEX SS	1
31	CFA00321	NUT M5 NYLOC	3
32	CFA00337	WASHER FLAT 5MM Z/P	1
33	CFA00429	SETSCREW M8X20 BUTTON HEAD Z/P	4
34	CFA00584	HOSE CLAMP COVER PLATE 30MM	1
35	CFA00585	HOSE CLAMP 30MM (2 PER SET)	1
36	CFA00969	BOLT M5X45 Z/P GRADE 8.8	2
<i>REPLACES CFA00801 [M6X45]</i>			
36a	CFA00320	WASHER FLAT 5MM	4
<i>REPLACES CFA00144 [6MM]</i>			
37	CGD00295	GUARD FRONT FUSION 3	1
38	CHY00133	GAUGE PRESSURE 63DIA FLANGE	1
<i>QTY = 2 FOR NRF BARREL WRAP MACHINES</i>			
39	CMH00873	BLANKING CAP QR ZP 1/2" FEMALE	1
40	CMT00166	GEARBOX BALER WALTERSCHEID	1
41	CPL00086	BLANKING CAP 40MM ID	2
42	CST00764	GRIP TAPE FOR PLATFORM 500MM	2
43	CST00742	GRIP STRIP PLATFORM	2
44	CST00757	GRIP TAPE FOR PLATFORM	2

No.	Part No	Description	Qty
45	CVA00613	VALVE 3/8 W LEVER LOCK & HOLES	1
<i>REPLACES VALVE CVA00604</i>			
46	CZC02317	2MM L HOSE TRAY FUSION II	1
47	CZC04654	PLATFORM EXTENSION FOR NETTER FUS 3	1
<i>STANDARD MACHINE ONLY</i>			
47	CZB04403	1.5MM L PLATFORM PLATE EXT NRF	1
<i>NRF BARREL WRAP MACHINES ONLY</i>			
48	CZC04687	3MM PRESSURE GAUGE BRACKET FUSION 3	1
<i>STANDARD MACHINE ONLY</i>			
48	CZC04723	3MM L 2 PRESSURE CLOCK BRACKET	1
<i>NRF BARREL WRAP MACHINES ONLY</i>			
49	CZC04737	3MM L FRONT MARKER LAMP BRACKET F3	2
<i>REPLACES CZC04704</i>			
50	CZH03956	10MM L LIFTING EYE FUSION PLUS	2
<i>REPLACES CZH03318</i>			

Chassis (808)



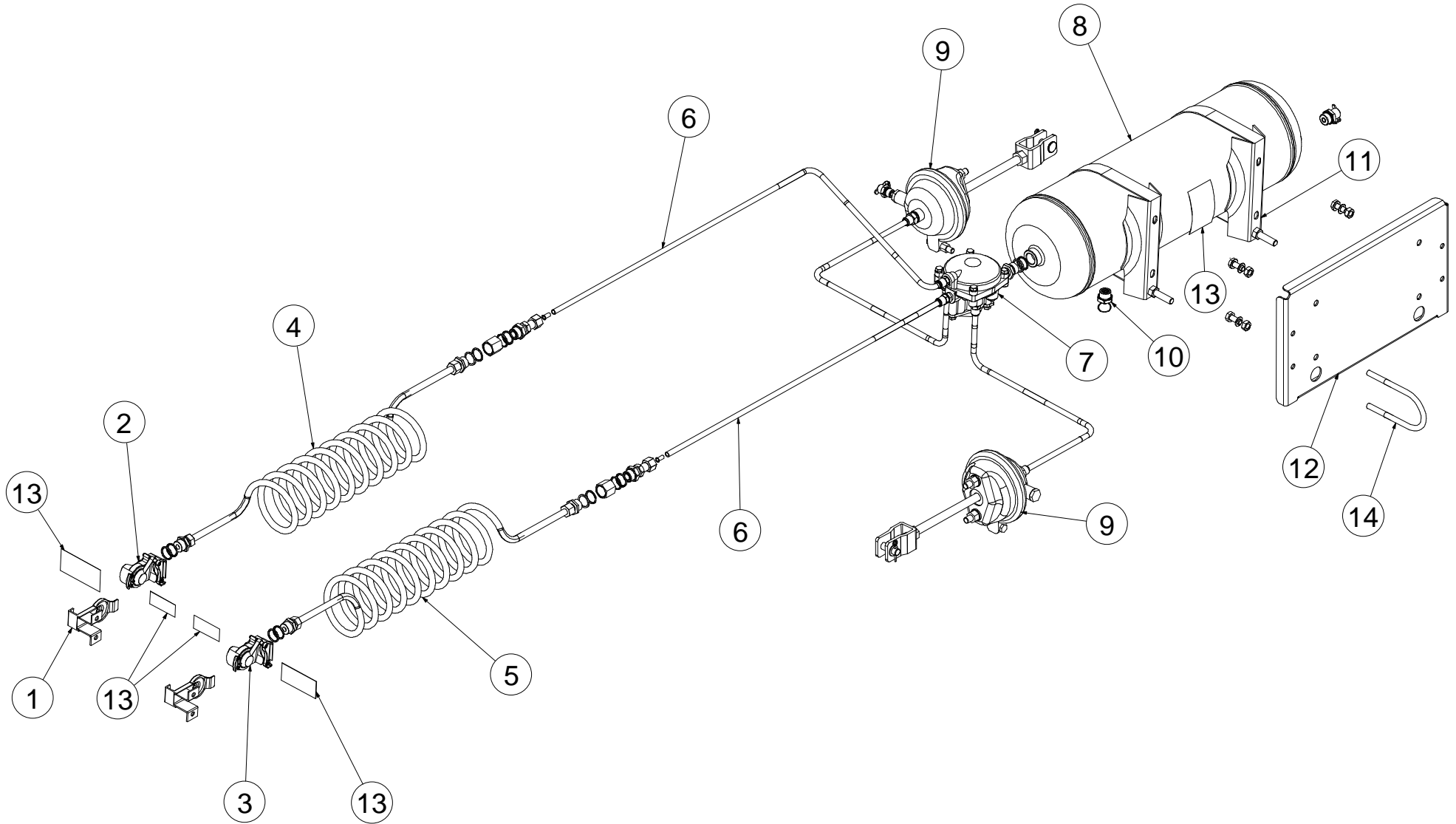
No.	Part No	Description	Qty
1	ACH00244	CHAIN TENSIONER WELD ASSY BALER	1
2	ACH00436	CHAIN TENSIONER ASSY BALER	1
		<i>INCLUDES ITEMS 1, 14, 20, 24, 25, 35, 37, 50, 51, 53, 54, 65 & 67</i>	
3	ACH00451	KNIFE HOLDER THREADED BAR ASSY	1
4	ACH00994	TRANSFER BEAM FUSION	1
5	ACH02550	CHASSIS FUSION 3 PLASTIC PANELS	1
6	ACH02610	SPARE FILM ROLL HOLDER WELD ASM	2
		<i>REPLACES ACH02554 (ITEMS 15 & 32 ALSO USED TO SECURE SPARE FILM ROLL HOLDERS)</i>	
7	ACH02564	SPARE KNIFE BRACKET FUS 3	1
8	ACH02593	PIN ASSEMBLY 20MM SPARE KNIFE HOLDER	1
9	ADP00262	SPARE FILM HOLDER SINGLE	2
10	ADP00275	FILM ROLLER HOLDER WELD ASSY	4
11	ART00351	GREASE GUN STOP ASSY	1
12	CAX00096	AXLE 80MM FUSION2 300X90 HYD BRAKE	1
13	CBC00007	CAP BLACK PLASTIC 2.3/8" OSF	10
14	CBR00294	BEARING 6307 2RS	3
15	CFA00005	LINCH PIN 10MM	7
16	CFA00023	SETSCREW M10X20 Z/P	2
17	CFA00024	SETSCREW M10X25 Z/P	2
18	CFA00025	SETSCREW M10X30	6
19	CFA00052	SETSCREW M8X20 Z/P	8
20	CFA00076	BOLT M12X60 Z/P	1
21	CFA00101	SETSCREW M8X16 Z/P	2
22	CFA00102	SETSCREW M8X25 Z/P	8
23	CFA00123	NUT M10 NYLOC	8
24	CFA00124	NUT M12 NYLOC	9
25	CFA00128	NUT M16 NYLOC	13
26	CFA00132	NUT M8 NYLOC Z/P	18
27	CFA00140	WASHER FLAT 16MM Z/P	24
28	CFA00147	WASHER FLAT 8MM Z/P	36
29	CFA00201	WASHER FLAT 10 MM Z/P	20
30	CFA00033	SETSCREW M12X35 Z/P	8
		<i>REPLACES CFA00230</i>	
30a	CFA00138	WASHER FLAT 12MM Z/P	8
30b	CFA00250	WASHER SKM12	8
31	CFA00418	NUT M20X1.5 NYLOC FINE THRAED	8
32	CFA00476	RUBBER STRAP 240 MM	7
33	CFA00514	CIRCLIP 35MM EXTERNAL	2
34	CFA00591	BOLT M8X25 CUP SQ Z/P	2
35	CFA00672	EYE BOLT 16MM SPRING TENSIONER	1
36	CFA00850	BOLT M10X100 8.8 DIN931 ZP	2
37	CFA00882	CIRCLIP INTERNAL 20X1 DIN 472	3
38	CFA02223	WASHER M20 DIN6916 GALV HV PEINER	8
39	CFA02240	U-BOLT M20X1.5X101X130	4
40	CHY00053	WASHER DOWTY 1/2"	3
41	CHY00213	OIL RESERVOIR HIGH CAPACITY	1
42	CHY00411	1/4" STEEL PIPE ASSY FUSION3 WELD	1
43	CHY00418	STEEL PIPE ASSY FUSION3 1/2" WELD	1
44	CHY00896	STEEL PIPE FUSION II	1

No.	Part No	Description	Qty
45	CHY00911	STL PIPING RIGHT CHASSIS	1
46	CHY00912	STL PIPING BACK CHASSIS	1
47	CHY00916	STL PIPING CROSS CHASSIS	1
48	CHY00928	ASSY STL PIPE FUSION II	1
49	KCN00014	KNIFE CHOPPER UNIT	AR
		<i>STANDARD KNIVES</i>	
49	KCN00016	KNIFE FOR GERMAN DROP FLOOR	AR
		<i>GERMAN KNIVES</i>	
50	CMH00464	BUSH 45X17X10 STEPPED 25	2
51	CMH00933	BUSH 20X30X100	1
52	CMH01114	DOOR STOP BOTTOM DOOR FUSION II	2
53	CMH01252	SPROCKET 1 1/4" 13 TOOTH	3
54	CSG00025	SPRING COMPX8.5X44.8	1
55	CTP00075	PARKING CHOCKS BALE	2
56	CTP00076	BRACKET FOR PARKING CHOCK	2
57	CVA00384	PUMP OIL/GREASE ALL FUSION	1
		<i>ROUND OIL/GREASE PUMP (REPLACES CVA00145 SQUARE OIL/GREASE PUMP SHOWN)</i>	
58	CVA00151	ACCUMULATOR 0.075L 50 BAR	1
59	CVA00157	VALVE ASY ROTATION & TIP BALER	1
60	CVA00165	ACCUMULATOR 0.5 LITRE 25 BAR	2
61	CVA00184	GREASE GUN CARTRIDGE HOUSING	1
62	CVA00239	LOAD SENSING RELIEF 2004 MODEL	1
63	CVA00345	VALVE 2 KNIFE OPTION CTRL	1
		<i>SELECTABLE KNIFE OPTION</i>	
63	CVA00351	VALVE KNIFE/FLOOR CTRL FUSION	1
		<i>STANDARD KNIVES</i>	
64	CVA00299	VALVE CTL 5BANK FUSION2 DPC130	1
		<i>USED ON STANDARD MACHINE ONLY</i>	
64	CVA00373	VALVE DPC130 6 BANK FUS3 PLUS &VARIO	1
		<i>NRF BARREL-WRAP MACHINES ONLY</i>	
65	CZC02057	3MM L CHAIN TENSIONER	1
66	CZC04647	3MM L WHEEL CHOCK BRACKET	1
67	CZD02186	4MM L WASHER 50X13X4	1
68	CZE00143	5MM L KNIFE BLANK BALER	AR
		<i>STANDARD KNIVES</i>	
68	CZE00168	5MM L KNIFE BLANK (GERMAN)	AR
		<i>GERMAN KNIVES</i>	

No.	Part No	Description	Qty
1	CAX00096	AXLE 80MM FUSION2 300X90 HYD BRAKE	1
1	CAX00101	AXLE 80MM FUSION2 400X80 AIR BRAKE	1
2	CAX00099	BRAKE HUB HYD 32211 OUTER BEARING 300X90	2
2	CAX00048	BRAKE HUB AIR 32211 OUTER BEARING 400X80	2
3	CAX00055	STUD FOR AXLE B80L030D/S	8
4	CAX00098	HUB CAP FUSION2	2
5	CTP00293	LEVER BRAKE FUSION2	2
6	CRA00100	RAM BRAKE OPERATING 998/FUSION	2
7	CAX00121	FUSION2 WHEEL BEARING KIT ALL AXLES	2
8	CAX00059	HUB NUT B 80L030D/S	2
9	CFA00410	SPLIT PIN 6X90	2
10	CAX00112	BRAKE SHOES 300X90 HYD BRAKES	2
<i>2 BRAKE SHOES PER SET (2 SETS PER MACHINE)</i>			
10	CAX00060	BRAKE SHOES 400X80 AIR BRAKES	2
<i>2 BRAKE SHOES PER SET (2 SETS PER MACHINE)</i>			
11	CMH00830	PIN 20X90 &2, 4MM HOLES @ 5MM	2
12	CMH00829	PIN 14X50&2, 4MM HOLES @ 5MM	2
13	CFA00413	WASHER FLAT 20MM Z/P	4
14	CFA00450	SPLIT PIN 4 X36 Z/P	8
15	CAX00057	WASHER FOR AXLE B80L030D/S	15
16	CAX00056	NUT FOR AXLE B80L030D/S	1
17	CZD02546	HAND BRAKE LEVER HYD UP TO SERIAL NO. 653329	1
18	CZF04933	HAND BRAKE LEVER RIGHT HYDRUALIC BRKE	1
19	CZF04931	HAND BRAKE LEVER LEFT HYDRUALIC BRKE	1
20	CZF03248	HAND BRAKE LEVER RIGHT AIR BRKE	1
21	CZF03250	HAND BRAKE LEVER LEFT AIR BRKE	1
22	CAX00115	ADJUSTABLE BRAKE LEVER FUSION2	2
23	CAX00117	FAD AXLE WITH ADJUSTABLE LEVER RIGHT	1
24	CAX00118	FAD AXLE WITH ADJUSTABLE LEVER LEFT	1

No.	Part No	Description	Qty
-----	---------	-------------	-----

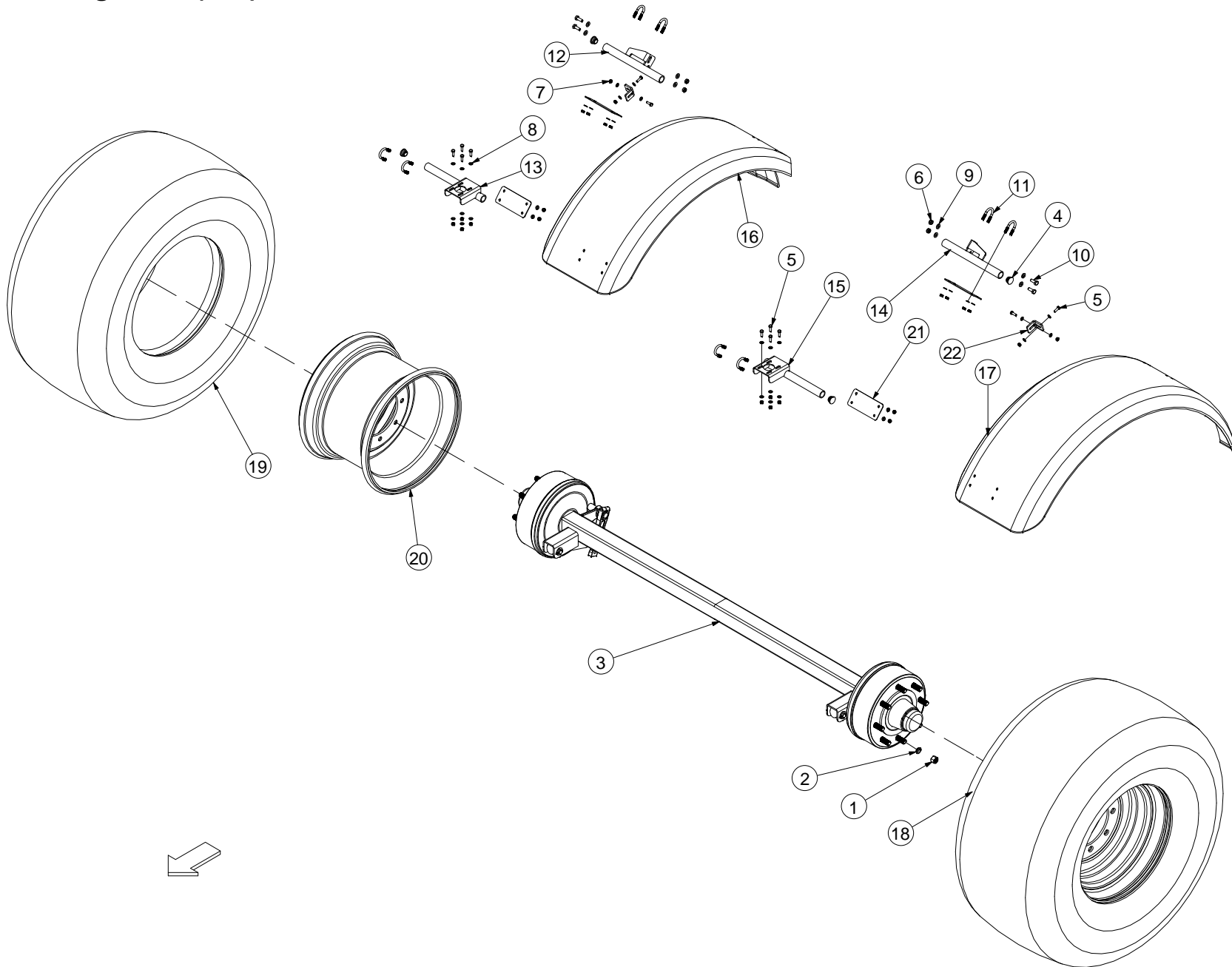
Air brake kit (818)



No.	Part No	Description	Qty
1	CVA00328	COUPLER BRACKET	2
2	CVA00126	PALM QUICK FIT COUPLING (YELLOW) M22	1
3	CVA00127	PALM QUICK FIT COUPLING (RED) M22	1
4	CHY02557	SERVICE SUZZIE (YELLOW)	1
5	CHY02558	EMERGENCY SUZZIE (RED)	1
6	CHY02559	10MM O/D NYLON AIR BRAKE HOSE	AR
7	CHY02605	CONTROL VALVE AIR BRAKE KIT [TRACTAIR]	1
8	CVA10043	20LTR AIR RESERVOIR	1
<i>TANK</i>			
9	CVA00124	AIR BRAKE ACTUATOR FUSION 998 F5	2
10	CVA00327	AIR BRAKE M16 TEST POINT	1
11	CVA00325	RESERVOIR SADDLE	2
<i>SADDLE BRACKET</i>			
12	CZC04641	3MM L AIR BRAKE TANK BRACKET FUSION	1
<i>MTG PLATE</i>			
13	CST00653	DECAL KIT FOR CHY02556 AIR BRAKE KIT	1
14	CFA00952	U-BOLT M10 Z/P	2
15	CFA00201	WASHER FLAT 10 MM Z/P	4
16	CFA00123	NUT M10 NYLOC	4

No.	Part No	Description	Qty
-----	---------	-------------	-----

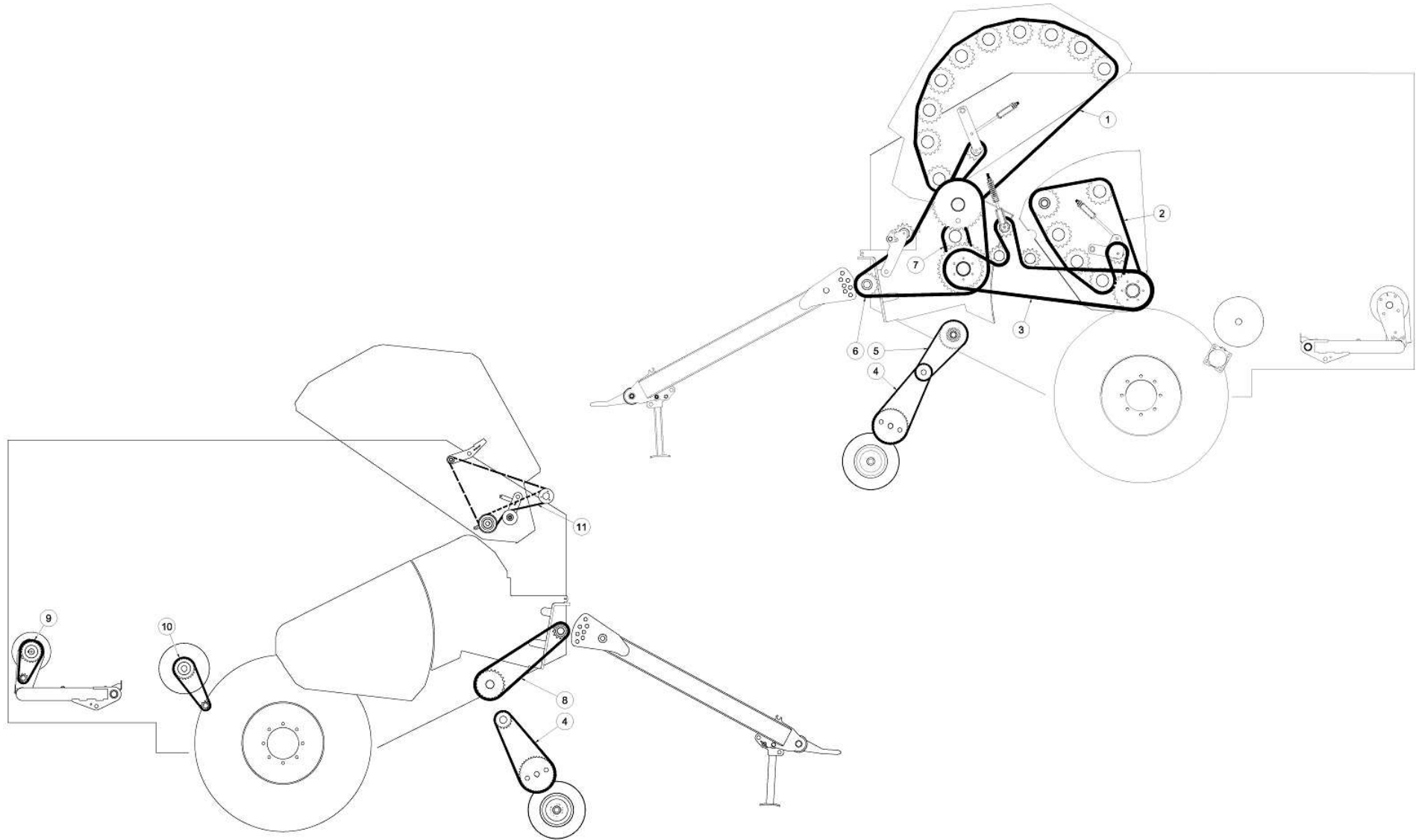
Wheels & Mudguards (813)



No.	Part No	Description	Qty
1	CAX00056	NUT FOR AXLE B80L030D/S	16
2	CAX00057	WASHER FOR AXLE B80L030D/S	16
3	CAX00096	AXLE 80MM FUSION2 300X90 HYD BRAKE	1
4	CBC00010	CAP PLAS INSERT 1"	4
5	CFA00102	SETSCREW M8X25 Z/P	12
6	CFA00123	NUT M10 NYLOC	4
7	CFA00132	NUT M8 NYLOC Z/P	28
8	CFA00147	WASHER FLAT 8MM Z/P	40
9	CFA00201	WASHER FLAT 10 MM Z/P	8
10	CFA00230	SETSCREW M10X30 Z/P	4
11	CFA00943	U-BOLT 33.7 TUBE	8
12	CGD00298	MUDGUARD BRACKET WELD RH REAR	1
13	CGD00299	MUDGUARD BRACKET WELD RH FRONT	1
14	CGD00307	MUDGUARD BRACKET WELD LH REAR	1
15	CGD00308	MUDGUARD BRACKET WELD LH FRONT	1
16	CPL00148	PLASTIC MUDGUARD RH	1
17	CPL00153	PLASTIC MUDGUARD LH	1
0	0	0	0
18	CWH00053	WHEEL ASY 560/60R22.5 VREDESTEIN	2
<i>STANDARD</i>			
19	CWH00055	TYRE 560/60R22.5 FLOTATION PRO	2
<i>STANDARD</i>			
20	CWH00034	WHEEL RIM 16X22.5	2
<i>STANDARD</i>			
0	0	0	0
18	CWH00068	WHEEL ASY 560/60R22.5 BKT	2
<i>OPTIONAL</i>			
19	CWH00074	TYRE 560/60R22.5 AGRIMAX FL 630	2
<i>OPTIONAL</i>			
20	CWH00034	WHEEL RIM 16X22.5	2
<i>OPTIONAL</i>			
0	0	0	0
18	CWH00054	WHEEL ASY 650/50R22.5 VREDESTEIN	2
<i>OPTIONAL</i>			
19	CWH00056	TYRE 650/50R22.5 FLOTATION PRO	2
<i>OPTIONAL</i>			
20	CWH00057	WHEEL RIM 20X22.5	2
<i>OPTIONAL</i>			
0	0	0	0
21	CZC04658	3MM L MUDGUARD BACKING PLATE FRONT	4
22	CZF06383	6MM PLATE MUDGUARD	2

No.	Part No	Description	Qty
-----	---------	-------------	-----

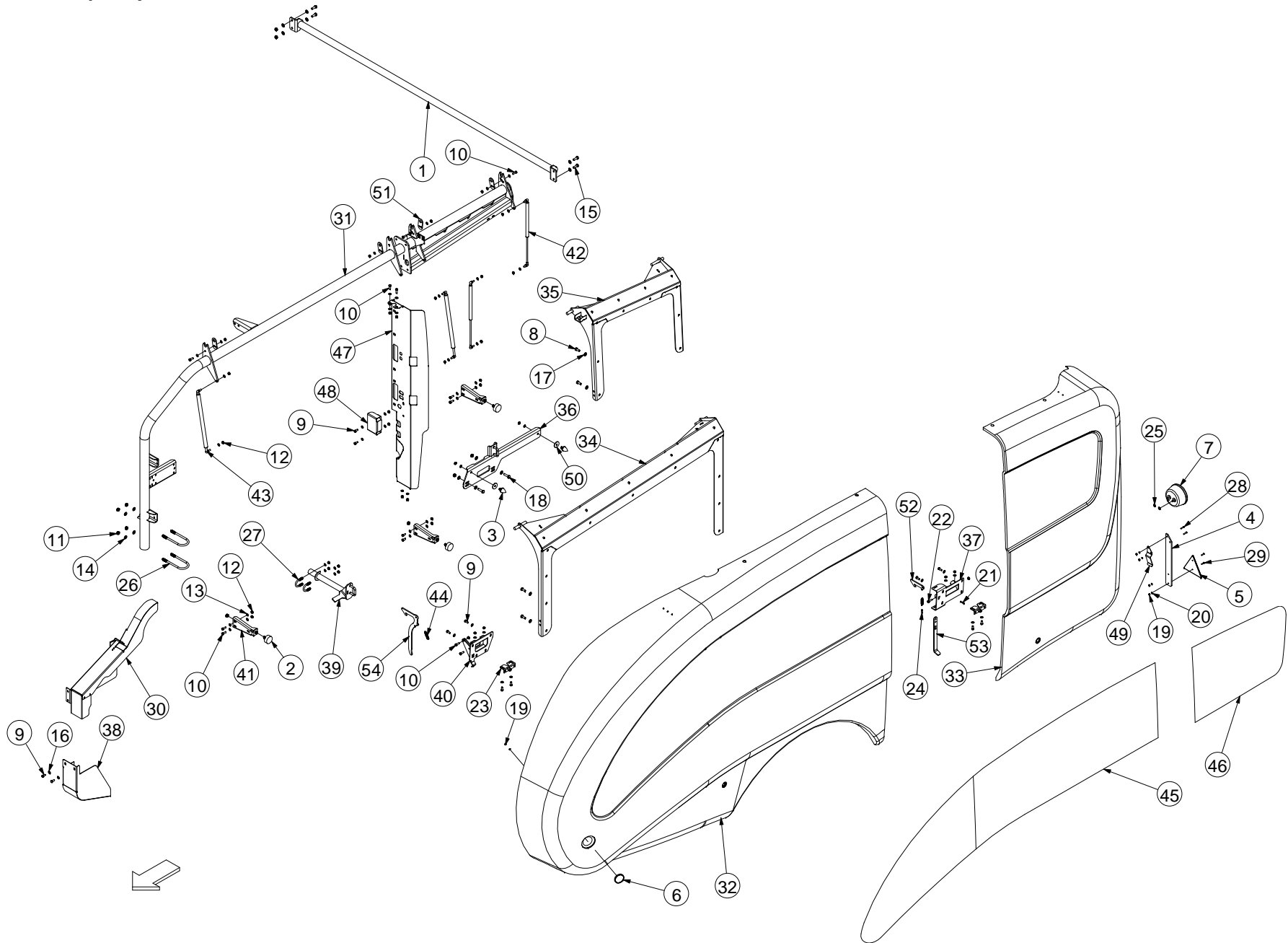
Chains & Belts (518)



No.	Part No	Description	Qty
1	CCH00036	20B 164 PITCHES + CON LINK	1
2	CCH00038	20B 105 PITCHES+CON LINK	1
3	CCH00037	20B 124 PITCHES + CON LINK	1
4	CCH02026	CHAIN ASA60H 3/4" 78 INC LINK	2
5	CCH02025	CHAIN ASA60H 3/4" 62 INC LINK	1
6	CCH00163	100HE 92 PITCHES + CON LINK	1
7	CCH00159	20B 32 PITCHES + CON LINK	1
8	CCH00161	16B2 68 PITCHES + CON LINK	1
9	CCH00043	ASA60H 36 PITCHES + CON LINK	1
10	CCH00162	ASA60H 48 PITCHES + CON LINK	1
11	CBE00164	V BELT A78	1
<i>USED ON STANDARD MACHINE ONLY</i>			
11	CBE00234	V BELT A54	1
<i>USED ON NRF BARREL WRAP MACHINE ONLY</i>			

No.	Part No	Description	Qty
-----	---------	-------------	-----

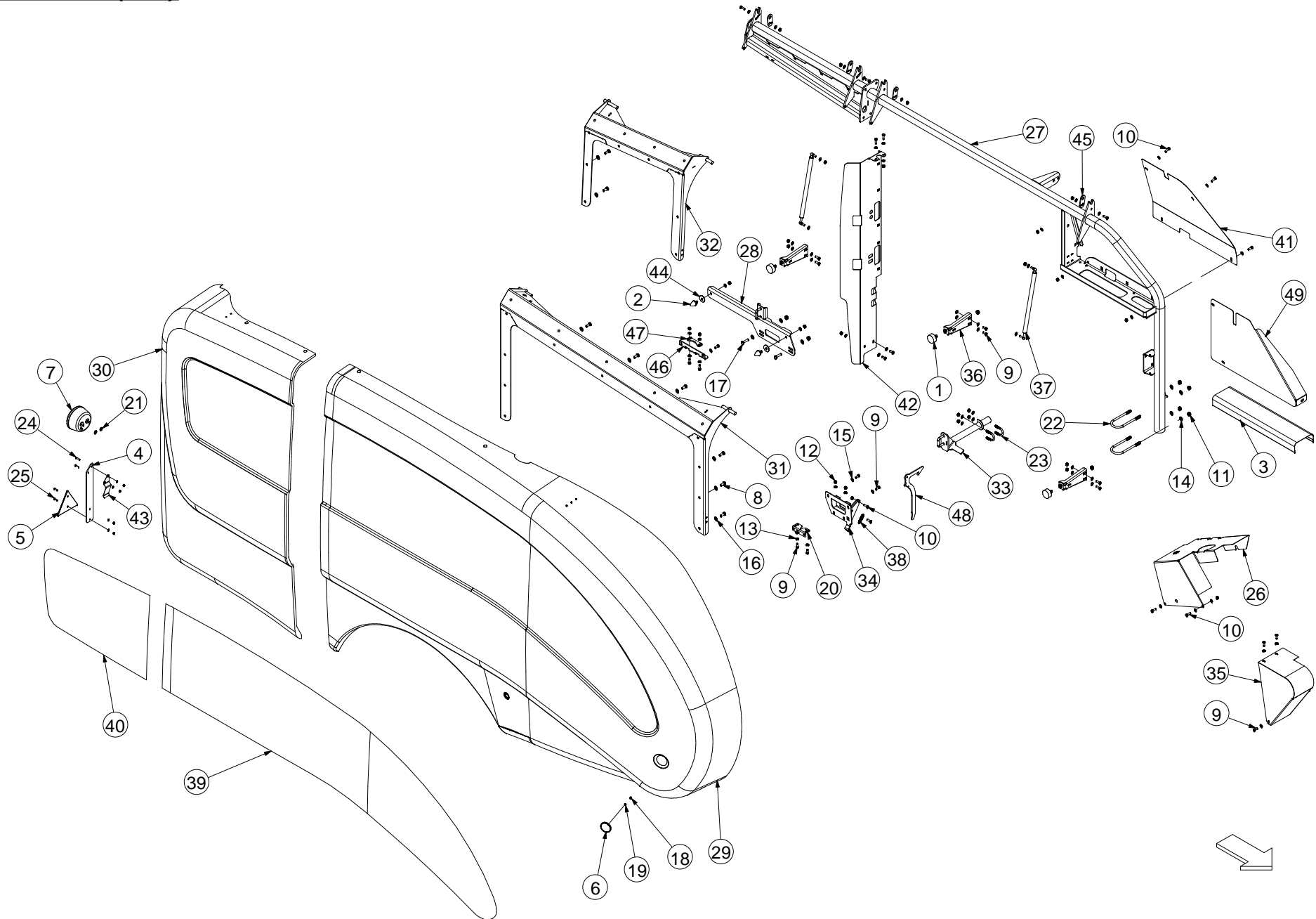
Panels LH (807)



No.	Part No	Description	Qty
1	ACH00881	DOOR FRAME TIE BAR ASSY	1
2	CBE00002	BUFFER RUBBER 50X21 M10X28	3
3	CBE00028	BUFFER RUBBER 30X36 M8/27 57SH	2
<i>UP TO SERIAL NO 656977</i>			
3	CBE00002	BUFFER RUBBER 50X21 M10X28	2
<i>FROM SERIAL NO 656978</i>			
4	CBE00239	RUBBER REFLECTOR HANGER STRIP	1
5	CEL00077	REFLECTOR REAR TRIANGULAR RED	1
6	CEL00239	ROUND AMBER REFLECTOR BOLT ON TYPE	1
7	CEL00831	TAIL LIGHT, CIRCULAR, LED, FUSION 3	1
8	CFA00024	SETSCREW M10X25 Z/P	28
9	CFA00052	SETSCREW M8X20 Z/P	20
10	CFA00102	SETSCREW M8X25 Z/P	14
11	CFA00123	NUT M10 NYLOC	12
12	CFA00132	NUT M8 NYLOC Z/P	39
13	CFA00147	WASHER FLAT 8MM Z/P	58
14	CFA00201	WASHER FLAT 10 MM Z/P	16
15	CFA00230	SETSCREW M10X30 Z/P	4
16	CFA00249	WASHER SKM8	10
17	CFA00251	WASHER SKM10	28
18	CFA00312	SETSCREW M10X40 Z/P	2
19	CFA00321	NUT M5 NYLOC	5
20	CFA00337	WASHER FLAT 5MM Z/P	5
21	CFA00345	ROLL PIN 6X30 Z/P	1
22	CFA00491	SETSCREW M8X30 Z/P	1
23	CFA00518	CAMLOC BALER DOOR	2
24	CFA00635	SPLIT PIN 5X20 Z/P	1
25	CFA00855	6MM MUDGUARD WASHER	2
26	CFA00919	U-BOLT 60.3 TUBE	2
27	CFA00943	U-BOLT 33.7 TUBE	2
28	CFA00966	SETSCREW M5X25 BUTTON HEAD Z/P	2
29	CFA02278	SETSCREW M5X25 BUTTON HEAD Z/P	2
30	CGD00177	CHAIN GUARD MAIN DRIVE FUSION	1
<i>USED ON STANDARD FUSION ONLY</i>			
30	CGD00329	CHAIN GUARD MAIN DRIVE FUSION PLUS	1
<i>USED ON FUSION 3 PLUS (NRF BARREL WRAP) MACHINE ONLY</i>			
31	CGD00251	HINGE HOLDER WELD ASSEMBLY LH	1
32	CGD00272	LH FRONT SKIN ASSEMBLY FUSION	1
<i>INCLUDES DECALS</i>			
33	CGD00273	LH REAR DOOR ASSEMBLY FUS 3	1
<i>INCLUDES HINGE & DECALS</i>			
34	CGD00282	HINGE WELD ASSEMBLY FRONT LH FUSION PANEL	1
35	CGD00283	HINGE WELD ASSEMBLY REAR LH FUSION PANEL	1
36	CGD00289	LATCH ASSEMBLY LH REAR FUSION	1
<i>FOR MACHINES UP TO SERIAL NO 656977 ALSO ORDER 2X CBE00002</i>			
36a	CZH02119	10MM L WASHER 10X40X12	2
<i>FOR MACHINES UP TO SERIAL NO 656977 ONLY</i>			
37	CGD00290	DOOR LATCH ASSY LH REAR FUSION PLASTIC	1
38	CGD00293	CHAIN GUARD LH FRONT	1
39	CGD00297	LATCH BRACKET ASSEMBLY LH FUS 3	1

No.	Part No	Description	Qty
40	CGD00300	DOOR LATCH WELD ASSEMBLY LH FRONT FUS 3	1
41	CGD00309	BUFFER BRACKET FUSION	3
42	CRA00171	GAS STRUT 8X18 650N	2
43	CRA00655	GAS STRUT 1200N	2
44	CSG00263	SPRING EXTENSION 1.63X11.5X57	2
45	CST00748	STICKER MCHALE LH MIDDLE FUSION 3	1
45	CST00749	STICKER MCHALE LH FRONT FUSION 3	1
45	CST00750	STICKER 'FUSION 3' 610MM WIDE	1
46	CST00747	STICKER MCHALE LH REAR FUSION 3	1
47	CZB04408	1.5MM L LH DISPENSER GUARD FUSION 3	1
48	CZB04416	1.5MM ELECTRICAL CONNECTION BOX	1
49	CZC04694	3MM REFLECTOR HANGING PLATE LH	1
50	CZD00118	4MM L CUT & TIE SPACER	2
<i>FOR MACHINES UP TO SERIAL NO 656977 ONLY</i>			
51	CZD04548	4MM L HINGE LOCK PLATE FUSION 3	4
52	CZF06016	6MM L REAR LATCH HOOK FUSION 3	1
53	CZF06017	6MM L PLATE	1
54	CZF06035	6MM PANEL LATCH HANDLE FUS 3	1

Panels RH (833)



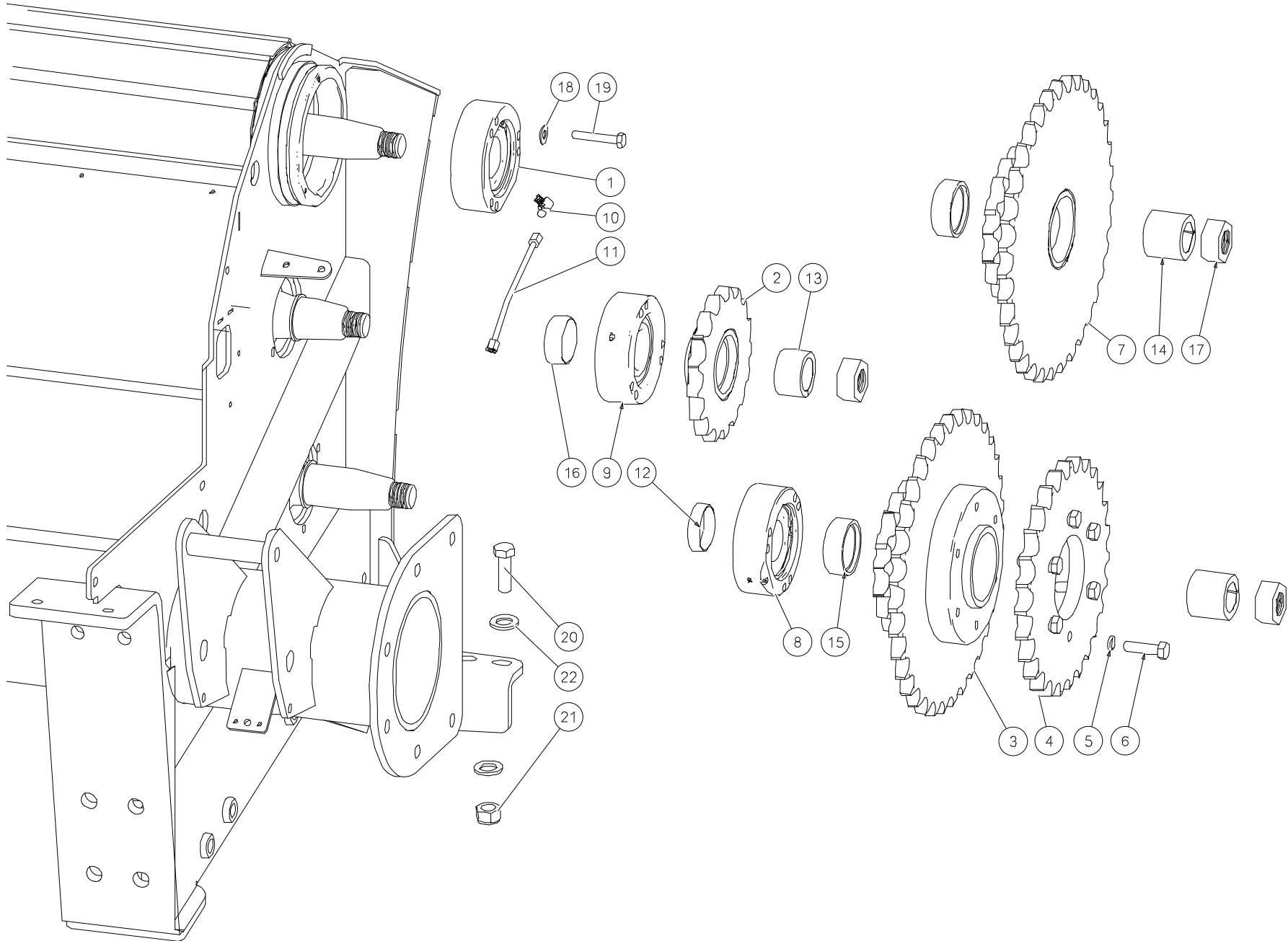
No.	Part No	Description	Qty
1	CBE00002	BUFFER RUBBER 50X21 M10X28	3
2	CBE00028	BUFFER RUBBER 30X36 M8/27 57SH	2
<i>UP TO SERIAL NO 656977</i>			
2	CBE00002	BUFFER RUBBER 50X21 M10X28	2
<i>FROM SERIAL NO 656978</i>			
3	CBE00238	CANVAS COVER ELECTRICAL CONNECTIONS FUSION	1
<i>USED ON STANDARD FUSION 3 ONLY</i>			
4	CBE00239	RUBBER REFLECTOR HANGER STRIP	1
5	CEL00077	REFLECTOR REAR TRIANGULAR RED	1
6	CEL00239	ROUND AMBER REFLECTOR BOLT ON TYPE	1
7	CEL00831	TAIL LIGHT, CIRCULAR, LED, FUSION 3	1
8	CFA00024	SETSCREW M10X25 Z/P	28
9	CFA00052	SETSCREW M8X20 Z/P	16
10	CFA00102	SETSCREW M8X25 Z/P	21
11	CFA00123	NUT M10 NYLOC	10
12	CFA00132	NUT M8 NYLOC Z/P	32
13	CFA00147	WASHER FLAT 8MM Z/P	58
14	CFA00201	WASHER FLAT 10 MM Z/P	10
15	CFA00249	WASHER SKM8	11
16	CFA00251	WASHER SKM10	28
17	CFA00312	SETSCREW M10X40 Z/P	2
18	CFA00321	NUT M5 NYLOC	5
19	CFA00337	WASHER FLAT 5MM Z/P	5
20	CFA00518	CAMLOC BALER DOOR	1
21	CFA00855	6MM MUDGUARD WASHER	2
22	CFA00919	U-BOLT 60.3 TUBE	2
23	CFA00943	U-BOLT 33.7 TUBE	2
24	CFA00966	SETSCREW M5X25 BUTTON HEAD Z/P	2
25	CFA02278	SETSCREW M5X25 BUTTON HEAD Z/P	2
26	CGD00242	ROTOR CHAIN GUARD F550	1
27	CGD00250	HINGE HOLDER WELD ASSEMBLY RH	1
28	CGD00253	REAR DOOR LATCH WELD ASSY FUSION PLASTIC PANEL	1
<i>FOR MACHINES UP TO SERIAL NO 656977 ALSO ORDER 2X CBE00002</i>			
28a	CZH02119	10MM L WASHER 10X40X12	2
<i>FOR MACHINES UP TO SERIAL NO 656977 ONLY</i>			
29	CGD00270	RH FRONT SKIN ASSEMBLY FUSION	1
<i>INCLUDES DECALS</i>			
30	CGD00271	RH REAR DOOR ASSEMBLY FUS 3	1
<i>INCLUDES HINGE & DECALS</i>			
31	CGD00280	HINGE WELD ASSEMBLY RH FRONT FUSION	1
32	CGD00281	HINGE WELD ASSEMBLY RH REAR FUSION	1
33	CGD00291	LATCH CATCH ASSEMBLY	1
34	CGD00292	FUSION LATCH ASSEMBLY FRONT RH PLASTIC PANEL	1
35	CGD00294	CHAIN GUARD RH FRONT	1
36	CGD00309	BUFFER BRACKET FUSION	3
37	CRA00655	GAS STRUT 1200N	2
38	CSG00263	SPRING EXTENSION 1.63X11.5X57	1
39	CST00745	STICKER 'MCHALE' RH MIDDLE F3	1
39	CST00746	STICKER 'MCHALE' RH FRONT F3	1
39	CST00750	STICKER 'FUSION 3' 610MM WIDE	1

No.	Part No	Description	Qty
40	CST00744	STICKER 'MCHALE' RH REAR F3	1
41	CZB04381	1.5MM L MAIN VALVE COVER	1
42	CZB04405	1.5MM L DISPENSER GUARD	1
43	CZC04693	3MM REFLECTOR HANGING PLATE RH	1
44	CZD00118	4MM L CUT& TIE SPACER	2
<i>FOR MACHINES UP TO SERIAL NO 656977 ONLY</i>			
45	CZD04548	4MM L HINGE LOCK PLATE FUSION 3	4
46	CZD04708	4MM DOOR LATCH RH REAR FUSION 3	1
47	CZF02902	6MM L DOOR RETAINING BRACKET	1
48	CZF06035	6MM PANEL LATCH HANDLE FUS 3	1
49	CZB04454	1.5MM L ELECTRICAL COVER PLATE F3+ & VARIO	1
<i>USED ON FUSION 3 PLUS & FUSION VARIO ONLY</i>			

No.	Part No	Description	Qty
1	ACH00889	FRONT CHAMBER SECTION WELD	1
<i>USED ON STANDARD MACHINES ONLY</i>			
1	ACH01197	FRONT CHAMBER FUSION PLUS NRF	1
<i>USED ON NRF BARREL WRAP MACHINES ONLY - UP TO SERIAL NO. 656970</i>			
1	ACH01332	FRONT CHAMBER FUSION PLUS NRF	1
<i>USED ON NRF BARREL WRAP MACHINES ONLY - FROM SERIAL NO. 656971</i>			
2	ACH00955	CHAIN TENSIONER COMP ASSY	1
3	ACH00954	CHAIN TENSIONER WELD ASSY	1
4	CBR00062	BEARING RADIAL 6207LLU (SKF)	1
<i>UP TO SERIAL NO. 654732</i>			
4	CBR00294	BEARING RADIAL 6307 2RS	1
<i>FROM SERIAL NO. 654733</i>			
5	CFA00132	NUT M8 NYLOC Z/P	3
6	CFA00147	WASHER FLAT 8MM Z/P	6
7	CFA00316	BOLT M8X30	3
<i>UP TO SERIAL NO. 654454</i>			
8	ACH00580	KIT 13T SPROCKET TENSIONER 6207 BEARING	1
<i>UP TO SERIAL NO. 654732</i>			
8	CMH01252	SPROCKET 1 1/4" 13 TOOTH	1
<i>FROM SERIAL NO. 654733 (6307 BEARING)</i>			
8a	CFA00882	CIRCLIP 80MM INTERNAL	1
<i>FROM SERIAL NO. 654733 (6307 BEARING)</i>			
9	CMH00467	BUSH 45X12.5X52 STEPPED 35	1
10	CXT00185	TUBE 42.4X3X15	1
11	CZG02236	8MM L SPACER PART	2
12	CFA00549	GREASE FITTING 6MM X 1/8"	11
13	CHY02499	GREASE PIPE 1 BOTTOM SECTION D.S	1
<i>MIDDLE ROLLER - USED ON STANDARD MACHINES ONLY</i>			
13	CHY02632	GREASE PIPE 2 BOTTOM SECTION D.S	1
<i>MIDDLE ROLLER - USED ON NRF BARREL WRAP MACHINES ONLY - UP TO SERIAL NO. 656970</i>			
13	CHY02916	GREASE PIPE 2 BOTTOM SECTION D.S	1
<i>MIDDLE ROLLER - USED ON NRF BARREL WRAP MACHINES ONLY - FROM SERIAL NO. 656971</i>			
14	CHY02500	GREASE PIPE 2 BOTTOM SECTION D.S	1
<i>TOP ROLLER - USED ON STANDARD MACHINES ONLY</i>			
14	CHY02631	GREASE PIPE 3 BOTTOM SECTION D.S	1
<i>TOP ROLLER - USED ON NRF BARREL WRAP MACHINES ONLY - UP TO SERIAL NO. 656970</i>			
14	CHY02915	GREASE PIPE 3 BOTTOM SECTION D.S	1
<i>TOP ROLLER - USED ON NRF BARREL WRAP MACHINES ONLY - FROM SERIAL NO. 656971</i>			
15	CHY02501	GREASE PIPE 3 BOTTOM SECTION D.S	1
<i>BOTTOM ROLLER - USED ON STANDARD MACHINES ONLY</i>			
15	CHY02633	GREASE PIPE 1 BOTTOM SECTION D.S	1
<i>BOTTOM ROLLER - USED ON NRF BARREL WRAP MACHINES ONLY - UP TO SERIAL NO. 656970</i>			
15	CHY02917	GREASE PIPE 1 BOTTOM SECTION D.S	1
<i>BOTTOM ROLLER - USED ON NRF BARREL WRAP MACHINES ONLY - FROM SERIAL NO. 656971</i>			
16	CMH00675	PIN 25 X 140 MILLED FOR CAP Z/P	1
17	CSG00206	SPRING EXT 7X36 OD X375	1
18	CFA00774	TURNBUCKLE EYE 12MM	1
19	CVA00166	GREASE BLOCK 10 WAY	1
20	CXT00489	TUBE 26.9X102	1
21	CXT00490	TUBE 33.7X68	1
22	CZC02347	3MM L SENSOR ADJUSTER LATCH	1
23	CBE00042	RUBBER HANDLE NETTER UNIT	1

No.	Part No	Description	Qty
24	CSG00033	SPRING COM 2.5X15X9	1
25	CZF00292	6MM L CAP LONG FOR 25MM PINS	1
26	CFA00056	BOLT M8X65 ZP	1
27	CFA00085	BOLT M16X140 ZP	1
28	CFA00140	WASHER FLAT 16MM ZP	2
29	CFA00128	NUT M16 NYLOC	1
30	CFA00138	WASHER FLAT 12MM ZP	2
31	CFA00124	NUT M12 NYLOC	1
32	CFA00123	NUT M10 NYLOC	1
33	CFA00201	WASHER FLAT 10MM ZP	2
34	CFA00016	BOLT M10X35	1
35	CFA00035	BOLT M12X100 ZP	1

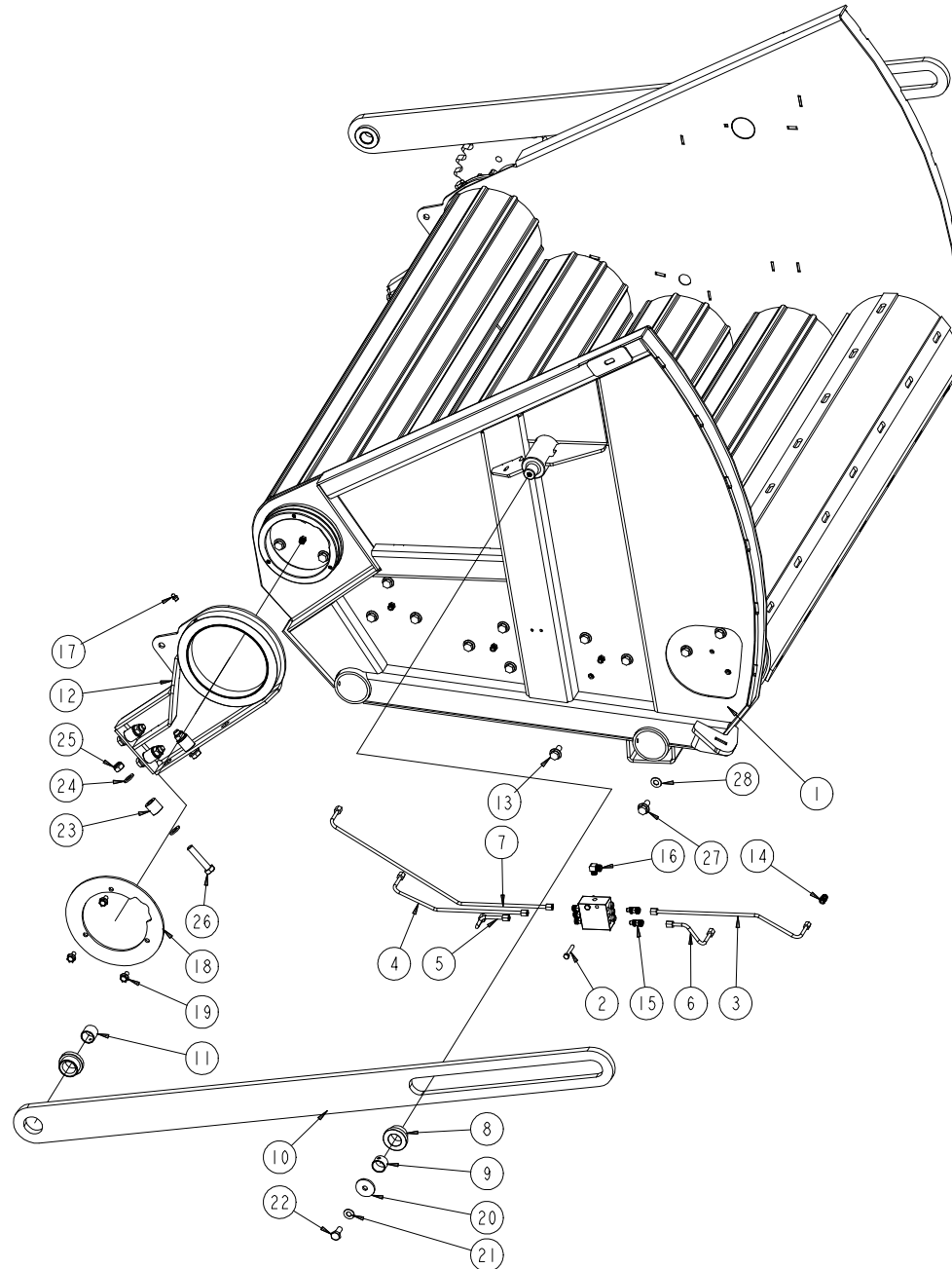
Front chamber [Drive side] (507)



No.	Part No	Description	Qty
1	ART00051	BEARING ROLLER COMP ASSY	1
2	ART00081	1 1/4" PITCH 17 T SPROCKET ASY	1
3	ART00085	SPROCKET ASSY BOTTOM DOOR DRIVE	1
4	CMH00699	PLATEWHEEL 1 1/4" 27T	1
5	CFA00250	WASHER SKM M12	6
6	CFA0065	SETSCREW M12X45 ZP	6
7	ART00087	SPROCKET ASSY BOTTOM DOOR DRIVE	1
8	ART00051	BEARING ROLLER COMP ASSY	1
9	ART00293	BEARING HOUSING 76210 ASSY	1
10	CFA00543	6MM X 1/8" 90° GREASE FITTING	1
11	CHY02517	GREASE PIPE FRONT SECTION D.S	1
<i>USED ON STANDARD MACHINES AND OLDER NRF BARREL WRAP MACHINES</i>			
11	CHY02918	GREASE PIPE FRONT DOOR D.S NRF	1
<i>USED ON NRF BARREL WRAP MACHINES ONLY FROM SERIAL NO. 656971</i>			
12	CMH00445	BEARING ROLLER SLEEVE 50 ID	2
13	CMH00507	BUSH 39X56X33 TAPPED COLLET	1
14	CMH00508	BUSH 36X58X47 TAPPED COLLET	2
15	CMH00736	BUSH 50X68X25 STEPPED 58	2
16	CMH00906	BEARING ROLLER SLEEVE 50 ID	1
17	CFA00401	NUT M30X2 FINE THREAD	3
18	CFA00251	WASHER SKM M10	9
19	CFA00028	BOLT M10X65 ZP	9
20	CFA00116	BOLT M16X50 ZP	4
21	CFA00128	NUT M16 NYLOC	4
22	CFA00140	WASHER FLAT 16MM ZP	8

No.	Part No	Description	Qty
-----	---------	-------------	-----

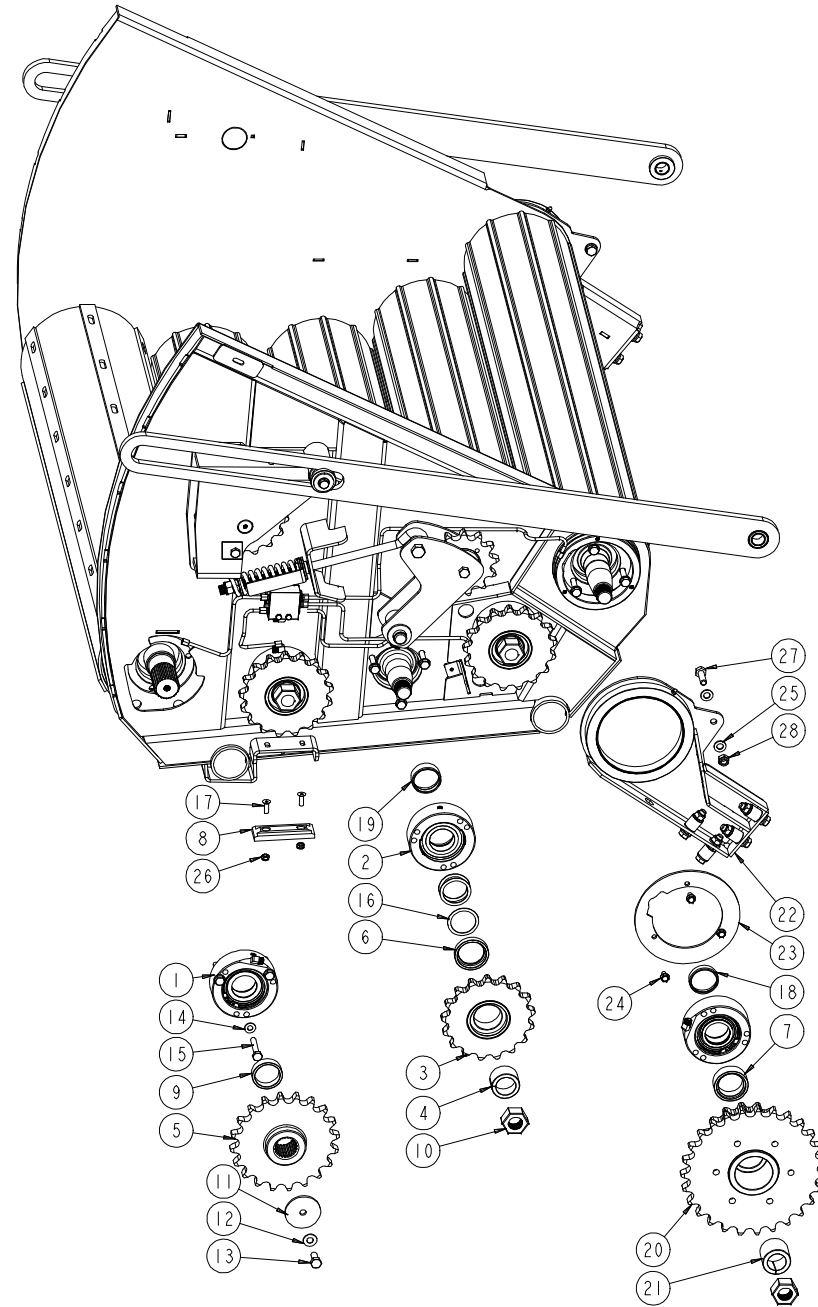
Bottom chamber door [Idle side] (503)



No.	Part No	Description	Qty
1	ACH00890	BOTTOM DOOR WELD ASM	1
<i>USED ON STANDARD MACHINES AND OLDER NRF BARREL WRAP MACHINES</i>			
1	ACH01334	BOTTOM DOOR WELD FUSION NRF	1
<i>USED ON NRF BARREL WRAP MACHINES ONLY FROM SERIAL NO. 656971</i>			
2	CFA00099	SETSCREW M6X40 Z/P	4
3	CHY02175	GREASE PIPE 2 BOTTOM DOOR N.D	1
4	CHY02176	GREASE PIPE 3 BOTTOM DOOR N.D	1
5	CHY02177	GREASE PIPE 4 BOTTOM DOOR N.D	1
6	CHY02178	GREASE PIPE 5 BOTTOM DOOR N.D	1
7	CHY02174	GREASE PIPE 1 BOTTOM DOOR N.D	1
8	CMH00989	BUSH 25X50X25	4
9	CBR00040	BEARING GLACIER PM 25 X 20	2
10	CZJ02123	15MM L LINK ARM PART UP TO SERIAL NO.653028	2
10	CZJ02134.1	15MM L LINK ARM PART SERIAL NO.653029 TO 653102	2
10	CZJ02134.2	15MM L LINK ARM PART FROM SERIAL NO.653103	2
11	CBR00039	BEARING GLACIER PM 2525 DX	2
12	ACH00662	BALER DOOR HINGE BOTTOM RIGHT	1
13	CFA00520	SETSCREW M10X25 FLD ZP	12
14	CFA00549	GREASE FITTING 6MM X 1/8" M/M	5
15	CFA00648	GREASE FITTING TO BLOCK 1/8"	10
16	CFA00543	6MM X 1/8" 90° GREASE FITTING	7
17	CFA00118	GREASE NIPPLE M8X1.25 STRAIGHT	1
18	CZE00131	5MM L BALER DOOR HINGE PART	2
19	CFA00766	SETSCREW M8X20 FLANGED DIN6921 Z/P	6
<i>REPLACES CFA00519 (M8X16)</i>			
20	CZD00118	4MM L CUT & TIE SPACER	2
21	CFA00251	WASHER SKM10	2
22	CFA00024	SETSCREW M10X25 Z/P	2
23	CMH00745	C025.4X6.35X0025	8
24	CFA00138	WASHER FLAT 12MM Z/P	16
25	CFA00417	NUT M12X1.5 NYLOC FINE THREAD	8
26	CFA00586	BOLT M12X60X10.9 FINDTHREAD ZP	8
27	CFA00797	SETSCREW M10X25X10.9 ZP	3
28	CFA00798	WASHER M10 NORDLOCK	3

No.	Part No	Description	Qty
-----	---------	-------------	-----

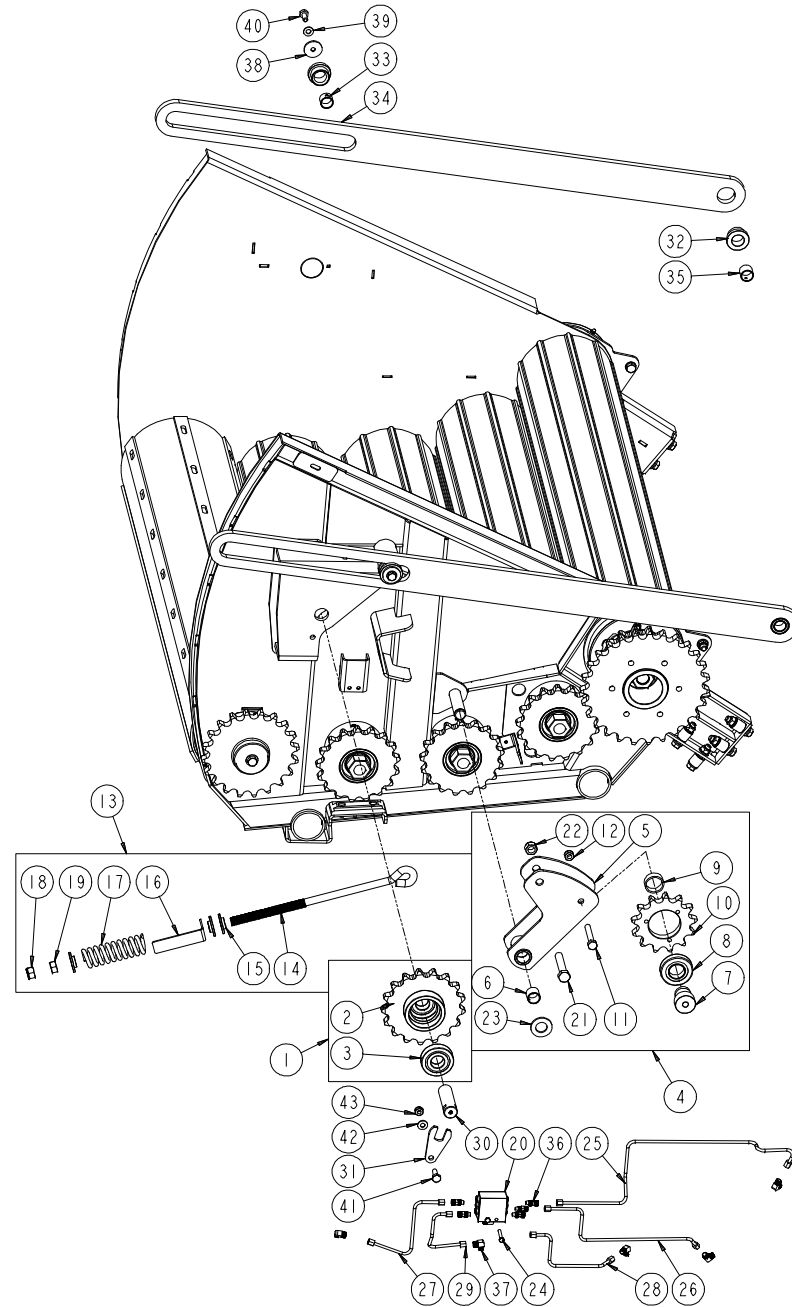
Bottom chamber door [Drive side] 1 (504)



No.	Part No	Description	Qty
1	ART00051	BEARING ROLLER COMP ASSY	2
2	ART00293	BEARING HOUSING 76210 ASSY	3
3	ART00081	1 1/4" PITCH 17 T SPROCKET ASY	3
4	CMH00507	BUSH 39X56X33 TAPPER	3
5	CMH00708	SPROCKET 1 1/4" PITCH 20T	1
<i>UP TO SERIAL NO. 654555</i>			
5	CMH01324	SPROCKET 1 1/4" PITCH 20T	1
<i>FROM SERIAL NO. 654556</i>			
6	CMH00510	BUSH 50X68X12.5 STEP	3
7	CMH00736	BUSH 50X68X25 STEPPED 58	1
8	CMH00769	WEAR STRIP 15X40X120	1
9	CMH00812	BUSH 50X60X17	1
10	CFA00401	NUT M30X2 FINE THREAD	4
11	CZE00115	BALE SPLITTER WASHER	1
12	CFA00250	WASHER SKM12	1
13	CFA00032	SETSCREW M12X30 Z/P	1
14	CFA00251	WASHER SKM10	15
15	CFA00028	BOLT M10X65 Z/P	15
16	CFA00048	SHIM 50X62X1.0	12
17	CFA00582	SETSCREW M8X25 CSK ZP	2
18	CMH00445	BEARING ROLLER SLEEVE 50 ID	1
19	CMH00906	BEARING ROLLER SLEEVE 50 ID	3
20	ART00310	DUPLEX SPROCKET COMP ASSY	1
21	CMH00508	BUSH 36X58X47 TAPPER	1
22	ACH00366	BALER DOOR HINGE BOTTOM LEFT	1
23	CZE00131	5MM L BALER DOOR HINGE PART	2
24	CFA00766	SETSCREW M8X20 FLANGED DIN6921 Z/P	6
<i>REPLACES CFA00519 (M8X16)</i>			
25	CFA00138	WASHER FLAT 12MM Z/P	20
26	CFA00132	NUT M8 NYLOC	2
27	CFA00297	BOLT M12X40 Z/P	2
28	CFA00124	NUT M12 NYLOC	2

No.	Part No	Description	Qty
-----	---------	-------------	-----

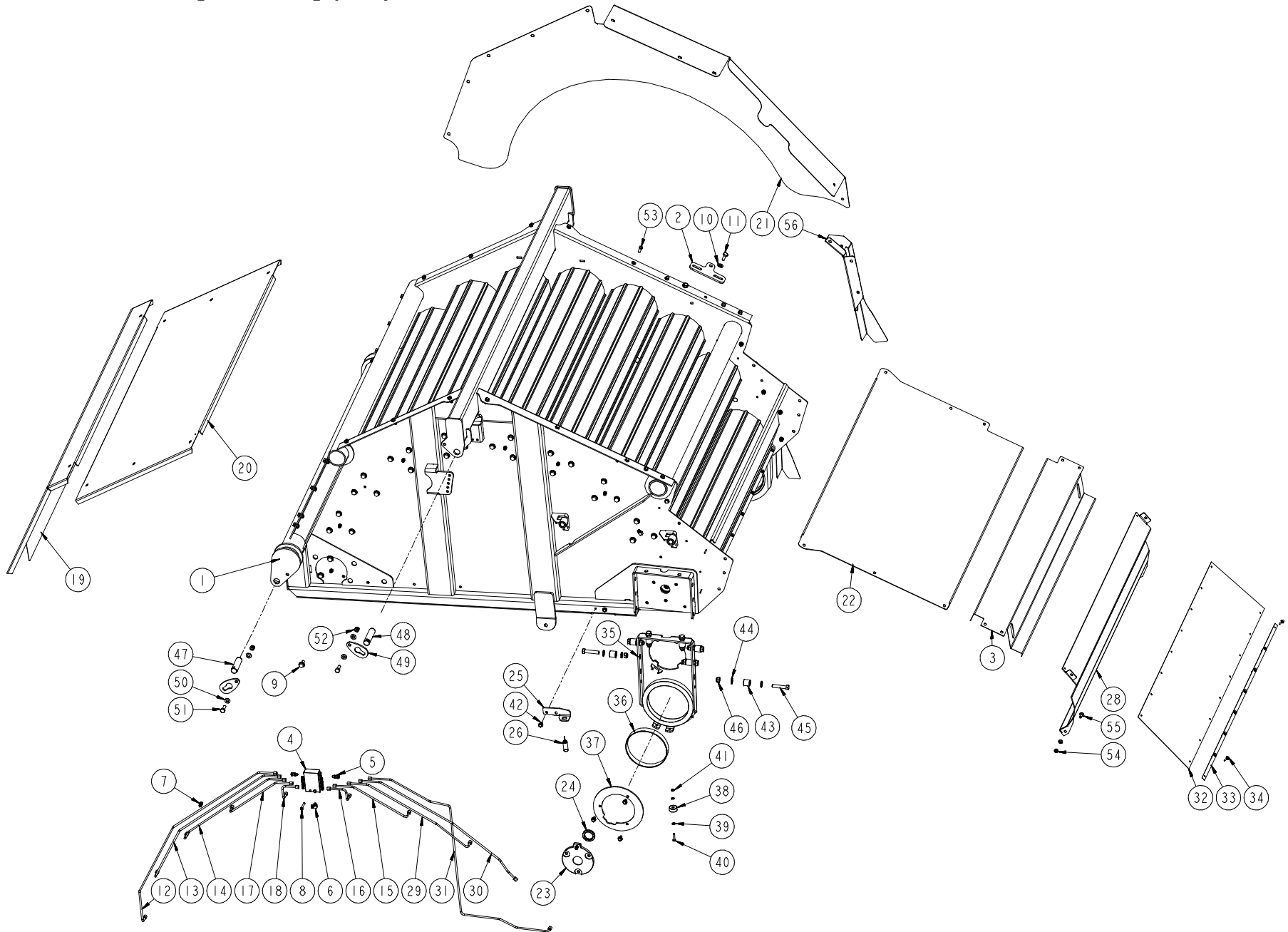
Bottom chamber door [Drive side] 2 (505)



No.	Part No	Description	Qty
1	ART00084	BALER IDLER SPROCKET COMP ASSY	1
2	ART00083	BALER IDLER SPROCKET WELD ASSY	1
3	CBR00052	BEARING 6306	2
4	ACH00360	BOTTOM DOOR CHAIN TENSION ASSY	1
5	ACH00233	BOTTOM DOOR CHAIN TENSIONER ASSY	1
6	CBR00039	BEARING GLACIER PM 2525 DX	2
7	CMH00467	BUSH 45X12.5X52 STEPPED 35	1
8	CBR00062	BEARING RADIAL 6207LLU (SKF)	1
<i>UP TO SERIAL NO. 654732</i>			
8	CBR00294	BEARING RADIAL 6307 2RS	1
<i>FROM SERIAL NO. 654733</i>			
9	CXT00185	TUBE 42.4X3X15	1
10	ACH00580	KIT SPROCKET 1 1/4" 13 TOOTH 6207 BEARING	1
<i>UP TO SERIAL NO. 654732</i>			
10	CMH01252	SPROCKET 1 1/4" 13 TOOTH	1
<i>FROM SERIAL NO. 654733 (6307 BEARING)</i>			
10a	CFA00882	CIRCLIP 80MM INTERNAL	1
<i>FROM SERIAL NO. 654733 (6307 BEARING)</i>			
11	CFA00330	BOLT M12X80 Z/P	1
12	CFA00124	NUT M12 NYLOC	1
13	ACH00437	FRONT CHAIN ADJ.COMP	1
14	CFA00672	EYE BOLT 16MM SPRING TENSIONER	1
15	CMH00464	BUSH 45X17X10 STEPPED 25	3
16	CZC02057	3MM L CHAIN TENSIONE	1
17	CSG00025	SPRING COMPX8.5X44.8	1
18	CFA00127	NUT M16	1
19	CFA00127	NUT M16	1
20	CVA00169	GREASE BLOCK 6 WAY	2
21	CFA00063	BOLT M16X90 Z/P	1
22	CFA00128	NUT M16 NYLOC	1
23	CFA00135	WASHER FLAT 1" Z/P	1
24	CFA00099	SETSCREW M6X40 Z/P	4
25	CHY02169	GREASE PIPE 1 BOTTOM DOOR D.S	1
26	CHY02170	GREASE PIPE 2 BOTTOM DOOR D.S	1
27	CHY02171	GREASE PIPE 3 BOTTOM DOOR D.S	1
28	CHY02172	GREASE PIPE 4 BOTTOM DOOR D.S	1
29	CHY02173	GREASE PIPE 5 BOTTOM DOOR D.S	1
30	CMH01123	PIM 30X100 MILLED FOR CAP	1
31	CZF04850	6MM L PIN RETAINER CLIP	1
32	CMH00989	BUSH 25X50X25	4
33	CBR00040	BEARING GLACIER PM 25 X 20	2
34	CZJ02123	15MM L LINK ARM PART UP TO SERIAL NO.653028	2
<i>(STRAIGHT ARM) UP TO SERIAL NO 653028</i>			
34	CZJ02134.1	15MM L LINK ARM PART SERIAL NO.653029 TO 653102	2
<i>(CURVED ARM) SERIAL NO 653029 TO 653102</i>			
34	CZJ02134.2	15MM L LINK ARM PART FROM SERIAL NO.653103	2
<i>(STRAIGHT ARM) FROM SERIAL NO 653103 ON</i>			
35	CBR00039	BEARING GLACIER PM 2525 DX	2
36	CFA00648	GREASE FITTING TO BLOCK 1/8"	10
37	CFA00543	6MM X 1/8" 90° GREASE FITTING	7

No.	Part No	Description	Qty
38	CZD00118	4MM L CUT& TIE SPACER	2
39	CFA00251	WASHER SKM10	2
40	CFA00024	SETSCREW M10X25 Z/P	2
41	CFA00230	SETSCREW M10X30 Z/P	1
42	CFA00201	WASHER FLAT 10 MM Z/P	1
43	CFA00123	NUT M10 NYLOC	1

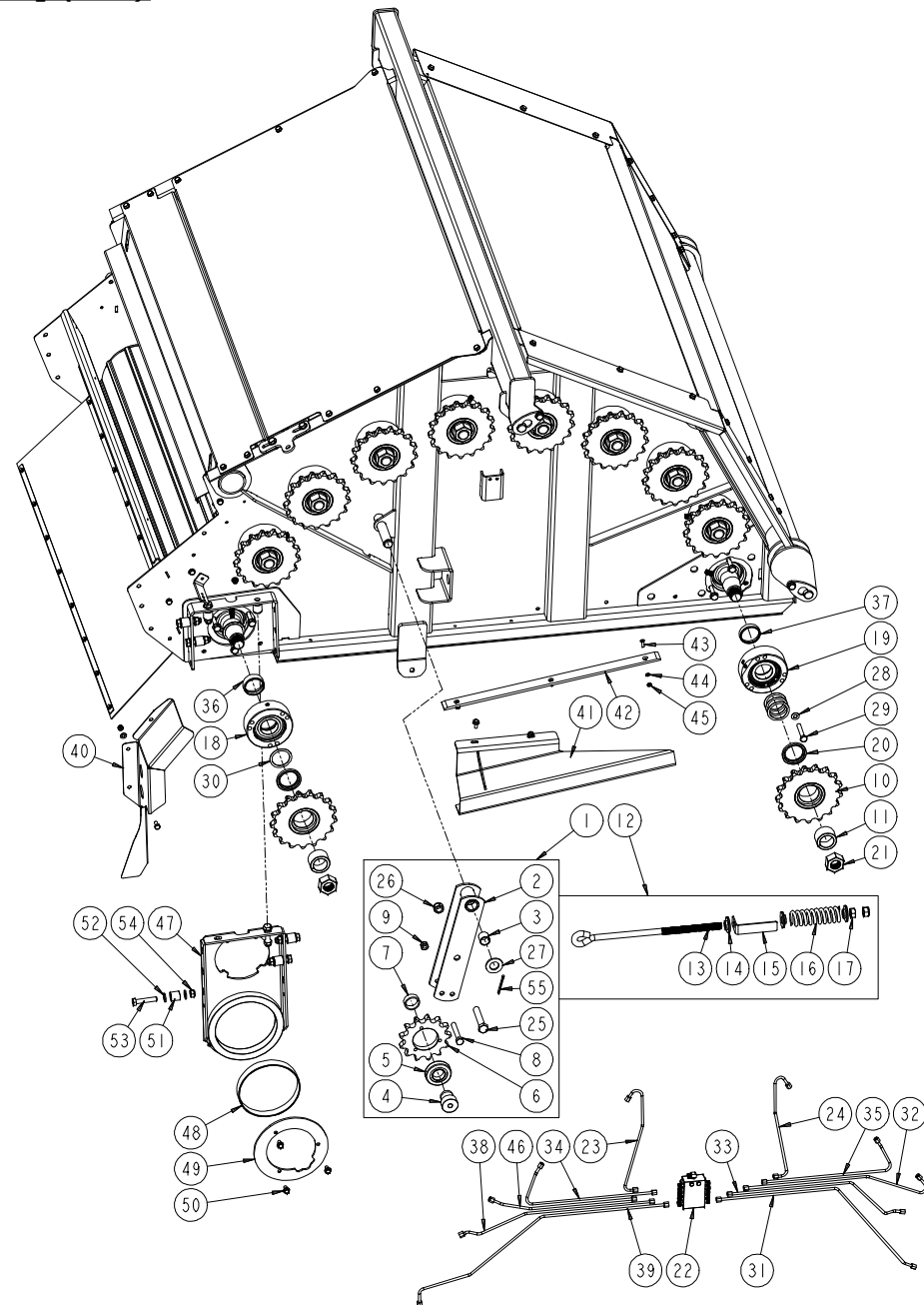
Top chamber door [Idle side] (811)



No.	Part No	Description	Qty
1	ACH00973	TOP DOOR WELD ASSY FUSION II	1
2	CZF02654	6MM L SPRING ADJUSTER PART	1
3	CZB02159	1.5MM L NET GUARD PART	1
4	CVA00166	GREASE BLOCK 10 WAY	2
5	CFA00648	GREASE FITTING TO BLOCK 1/8"	20
6	CFA00543	6MM X 1/8" 90° GREASE FITTING	3
7	CFA00549	GREASE FITTING 6MM X 1/8" M/M	19
8	CFA00099	SETSCREW M6X40 Z/P	4
9	CFA00520	SETSCREW M10X25 FLD ZP	27
10	CFA00201	WASHER FLAT 10 MM Z/P	4
11	CFA00024	SETSCREW M10X25 Z/P	2
12	CHY02161	GREASE PIPE 2 TOP DOOR N.D	1
13	CHY02162	GREASE PIPE 3 TOP DOOR N.D	1
14	CHY02163	GREASE PIPE 4 TOP DOOR N.D	1
15	CHY02165	GREASE PIPE 6 TOP DOOR N.D	1
16	CHY02168	GREASE PIPE 9 TOP DOOR N.D	1
17	CHY02166	GREASE PIPE 7 TOP DOOR N.D	1
18	CHY02167	GREASE PIPE 8 TOP DOOR N.D	1
19	CGD00313	TOP DOOR LOWER GUARD WITH THREADED INSERTS	1
20	CGD00312	TOP DOOR GUARD WITH THREADED INSERTS	1
21	CZB04413	1.5MM CHAIN GUARD STANDARD TOP DOOR	1
22	CZB00209	TOP DOOR PANEL FUSION	1
23	ARC00150	SEAL PLATE ASSY NET CLUTCH	1
24	CSE00098	SEAL RADIAL SHAFT SEAL 35X50X7	81
25	CZD02505	4MM L SENSOR BRACKET FUSION	1
26	CEL00767	SENSOR M18 PROX M12 PLUG	1
28	ARC00165	ROLLER GUARD TOP DOOR FUSION II	1
29	CHY02494	GREASE PIPE 6 TOP DOOR N.D	1
30	CHY02495	GREASE PIPE 4 TOP DOOR N.D	1
31	CHY02496	GREASE PIPE 2 TOP DOOR N.D	1
32	CBE00031	CANVAS 1260X300 NET BOX COVER	1
33	CZB02179	1.5 MM L CURTAIN RETAINER STRIP	2
34	CFA00619	TEK SCREW M6 GALV. DIPPED	16
35	ACH00906	HINGE ASSY FUSION DOOR	1
36	CBR00051	BEARING GLACIER PM 170 X 25	1
37	CZE00131	5MM L BALER DOOR HINGE PART	2
38	CEL00017	MAGNET BLUE WHEEL	1
39	CFA00144	WASHER FLAT 6MM Z/P	2
40	CFA00190	SETSCREW M6X30 STAINLESS STEEL	1
41	CFA00131	NUT M6 NYLOC	1
42	CFA00766	SETSCREW M8X20 FLANGED DIN6921 Z/P	8
		REPLACES CFA00519 (M8X16)	
43	CMH00745	BUSH 12X25X25	14
44	CFA00138	WASHER FLAT 12MM Z/P	28
45	CFA00586	BOLT M12X60X10.9 FINE THREAD ZP	14
46	CFA00417	NUT M12X1.5 NYLOC FINE THREAD	14
47	CMH01561	PIN 25X68 MILLED FOR CAP Z/P	2
		REPLACES CMH00421	
48	CMH00422	PIN 25 X 100 MILLED FOR CAP Z/P	2

No.	Part No	Description	Qty
49	CZF00292	6MM L CAP LONG FOR 25MM PINS	4
50	CFA00201	WASHER FLAT 10 MM Z/P	8
51	CFA00230	SETSCREW M10X30 Z/P	4
52	CFA00123	NUT M10 NYLOC	4
53	CFA00052	SETSCREW M8X20 Z/P	29
54	CFA00132	NUT M8 NYLOC Z/P	29
55	CFA00506	SETSCREW M8X20 CUPHEAD SQ ZP	2
56	CZB04402	1.5MM L CHAIN GUARD TOP DOOR FUS 3	1

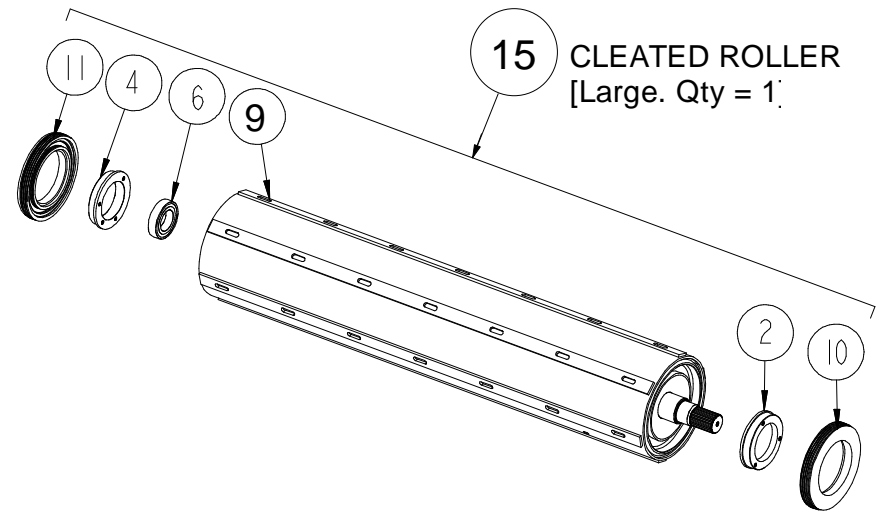
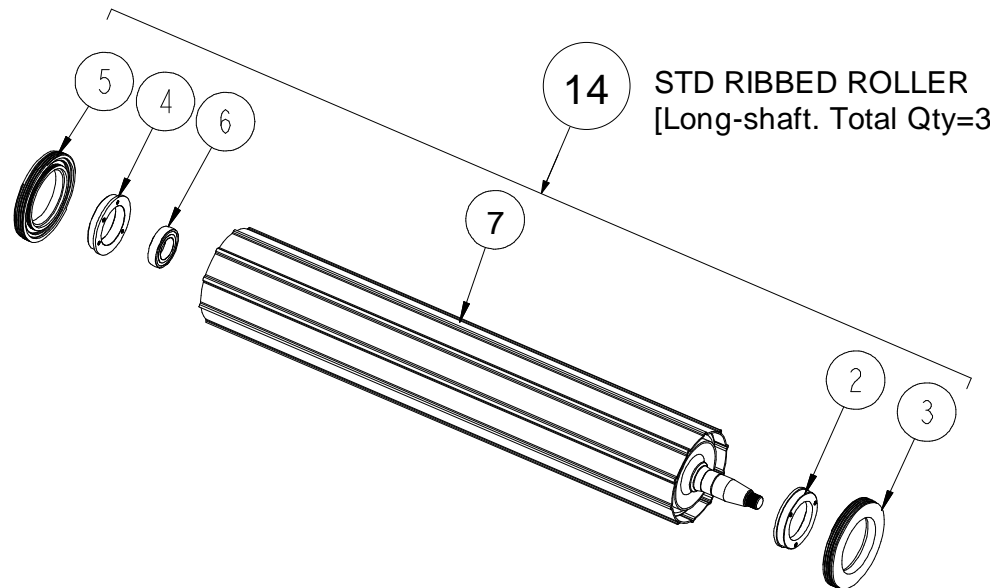
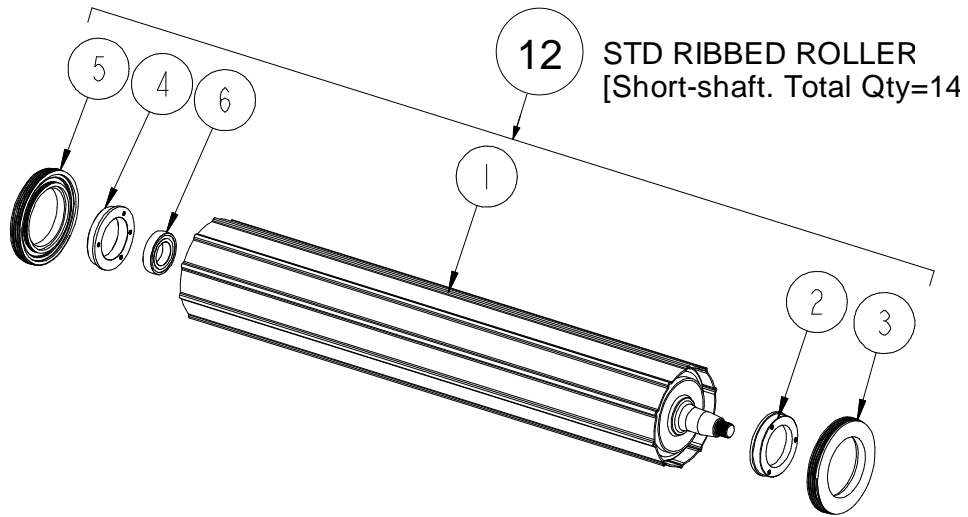
Top chamber door [Drive side] (509)



No.	Part No	Description	Qty
1	ACH00359	DOOR CHAIN TENSION COMP ASSY	1
2	ACH00188	DOOR CHAIN TENSION WELD ASSY	1
3	CBR00039	BEARING GLACIER PM 2525 DX	2
4	CMH00467	BUSH 45X12.5X52 STEPPED 35	1
5	CBR00062	BEARING RADIAL 6207LLU (SKF)	1
<i>UP TO SERIAL NO. 654732</i>			
5	CBR00294	BEARING RADIAL 6307 2RS	1
<i>FROM SERIAL NO. 654733</i>			
6	ACH00580	KIT SPROCKET 1 1/4" 13 TOOTH 6207 BEARING	1
<i>UP TO SERIAL NO. 654732</i>			
6	CMH01252	SPROCKET 1 1/4" 13 TOOTH	1
<i>FROM SERIAL NO. 654733 (6307 BEARING)</i>			
6a	CFA00882	CIRCLIP 80MM INTERNAL	1
<i>FROM SERIAL NO. 654733 (6307 BEARING)</i>			
7	CXT00185	TUBE 42.4X3X15	1
8	CFA00330	BOLT M12X80 Z/P	1
9	CFA00124	NUT M12 NYLOC	1
10	ART00081	1 1/4" PITCH 17 T SPROCKET ASY	10
11	CMH00507	BUSH 39X56X33 TAPPER	10
12	ACH00437	FRONT CHAIN ADJ COMPLETE	1
13	CFA00672	EYE BOLT 16MM SPRING TENSIONER	1
14	CMH00464	BUSH 45X17X10 STEPPED 25	3
15	CZC02057	3MM L CHAIN TENSIONER BRACKET	1
16	CSG00025	SPRING COMPX8.5X44.8	1
17	CFA00127	NUT M16	2
18	ART00293	BEARING HOUSING 76210 ASSY	9
19	ART00051	BEARING ROLLER COMP ASSY	1
20	CMH01117	BUSH 50X68X12.5 STEP	10
21	CFA00401	NUT M30X2 FINE THREAD	10
22	CVA00166	GREASE BLOCK 10 WAY	2
23	CHY02271	GREASE PIPE8 TOP DOOR D.S LONG	1
24	CHY02272	GREASE PIPE9 TOP DOOR D.S LONG	1
25	CFA00063	BOLT M16X90 Z/P	1
26	CFA00128	NUT M16 NYLOC	1
27	CFA00135	WASHER FLAT 1" Z/P	1
28	CFA00251	WASHER SKM10	30
29	CFA00028	BOLT M10X65 Z/P	30
30	CFA00048	SHIM 50X62X1.0	27
31	CHY02152	GREASE PIPE 2 TOP DOOR D.S	1
32	CHY02154	GREASE PIPE 4 TOP DOOR D.S	1
33	CHY02155	GREASE PIPE 5 TOP DOOR D.S	1
34	CHY02156	GREASE PIPE 6 TOP DOOR D.S	1
35	CHY02157	GREASE PIPE 7 TOP DOOR D.S	1
36	CMH00906	BEARING ROLLER SLEEVE 50 ID	9
37	CMH00445	BEARING ROLLER SLEEVE 50 ID	1
38	CHY02497	GREASE PIPE 2 TOP DOOR D.S	1
39	CHY02498	GREASE PIPE 2 TOP DOOR D.S	1
40	CZB02330	1.5MM L CHAIN GUARD PART FUS 2	1
<i>FUSION 2 ONLY</i>			

No.	Part No	Description	Qty
40	CZB04402	1.5MM L CHAIN GUARD TOP DOOR FUS 3	1
<i>FUSION 3 ONLY</i>			
41	ACH00938	CHAIN SLIDE TOP DOOR FUSION II	1
42	CMH01105	WEAR STRIP 10X35X620	1
43	CFA00587	BOLT M6X20 CSK ZP	3
44	CFA00144	WASHER FLAT 6MM Z/P	3
45	CFA00131	NUT M6 NYLOC	3
46	CHY02527	GREASE PIPE 3 TOP DOOR D.S	1
47	ACH00170	HINGE ASSY BALER DOOR	1
48	CBR00051	BEARING GLACIER PM 170 X 25	1
49	CZE00131	5MM L BALER DOOR HINGE PART	2
50	CFA00766	SETSCREW M8X20 FLANGED DIN6921 Z/P	8
<i>REPLACES CFA00519 (M8X16)</i>			
51	CMH00745	C025.4X6.35X0025	14
52	CFA00138	WASHER FLAT 12MM Z/P	28
53	CFA00586	BOLT M12X60X10.9 FINDTHREAD ZP	14
54	CFA00417	NUT M12X1.5 NYLOC FINE THREAD	14
55	CFA00013	SPLIT PIN 5X50 Z/P	1

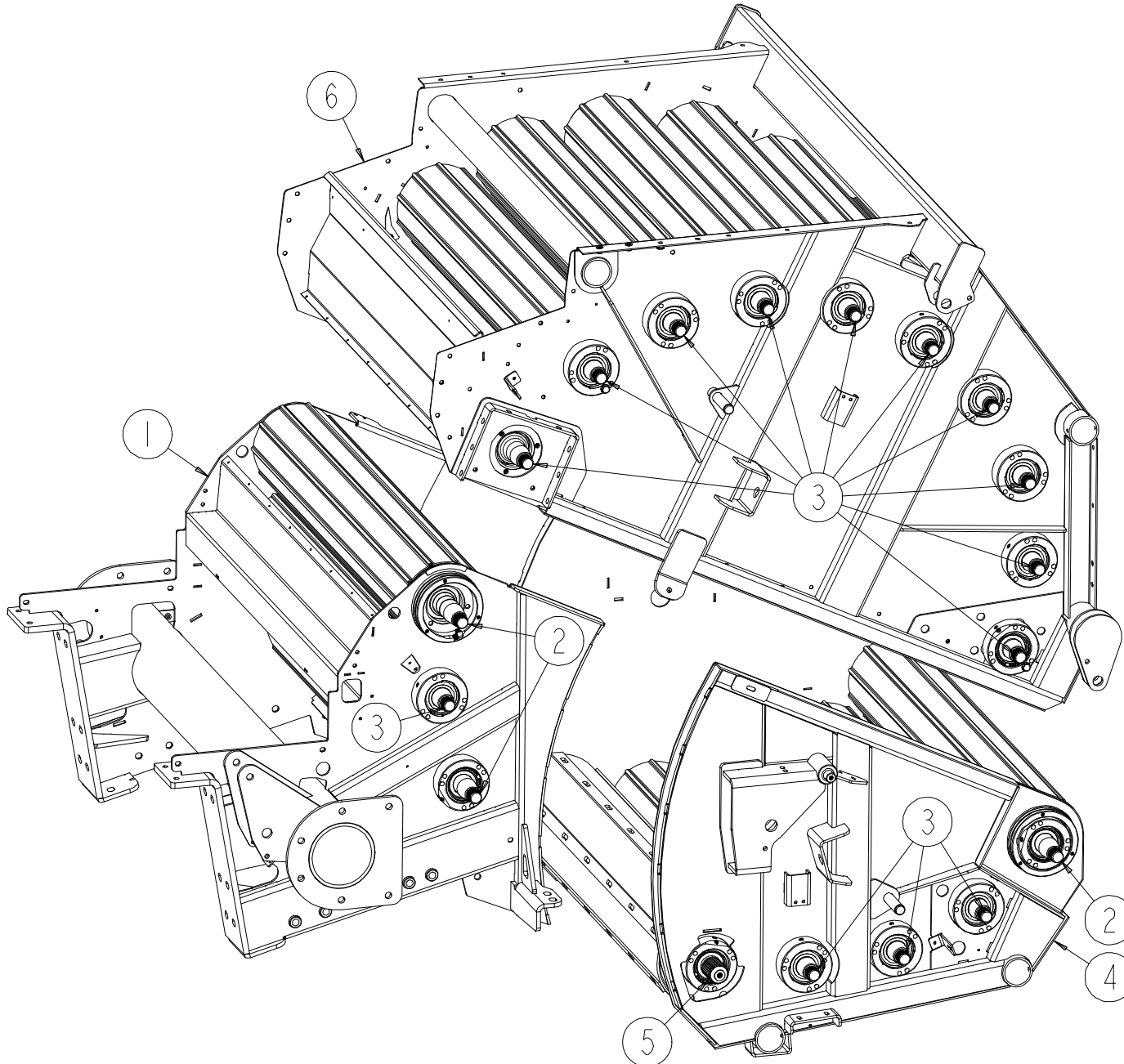
Rollers (510)



No.	Part No	Description	Qty
1	ARC00029	ROLLER STD SHAFT	1
2	CMH00696	FLANGE 90X140X25 MACHINED DS	1
3	CPL00052	NYLON SEAL ROLLER DRIVE SIDE	1
4	CMH00697	FLANGE 90X145X25 MACHINED NDS	1
5	CPL00053	NYLON SEAL ROLLER NON DRIVE	1
6	CBR00083	BEARING 1726210-2RS RADIAL	1
7	ARC00023	ROLLER LONG SHAFT	1
9	ARC00243	ROLLER CLEATED KIT ASY	1
<i>UP TO SERIAL NO. 654555 (KIT INCLUDES BOTH NYLON SEAL ROLLERS + SPROCKET)</i>			
9	ARC00183	ROLLER CLEATED	1
<i>FROM SERIAL NO. 654556</i>			
10	CPL00052	NYLON SEAL ROLLER DRIVE SIDE	1
<i>UP TO SERIAL NO. 654555</i>			
10	CPL00108	NYLON SEAL ROLLER (LARGE) DRIVE SIDE	1
<i>FROM SERIAL NO. 654556</i>			
11	CPL00053	NYLON SEAL ROLLER NON DRIVE	1
<i>UP TO SERIAL NO. 654555</i>			
11	CPL00107	NYLON SEAL ROLLER (LARGE) NON DRIVE	1
<i>FROM SERIAL NO. 654556</i>			
12	ARC00030	ROLLER STD SHAFT ASY	14
14	ARC00028	ROLLER LONG SHAFT ASY	3
15	ARC00238	ROLLER CLEATED ASY	1
<i>FROM SERIAL NO. 654556</i>			

No.	Part No	Description	Qty
-----	---------	-------------	-----

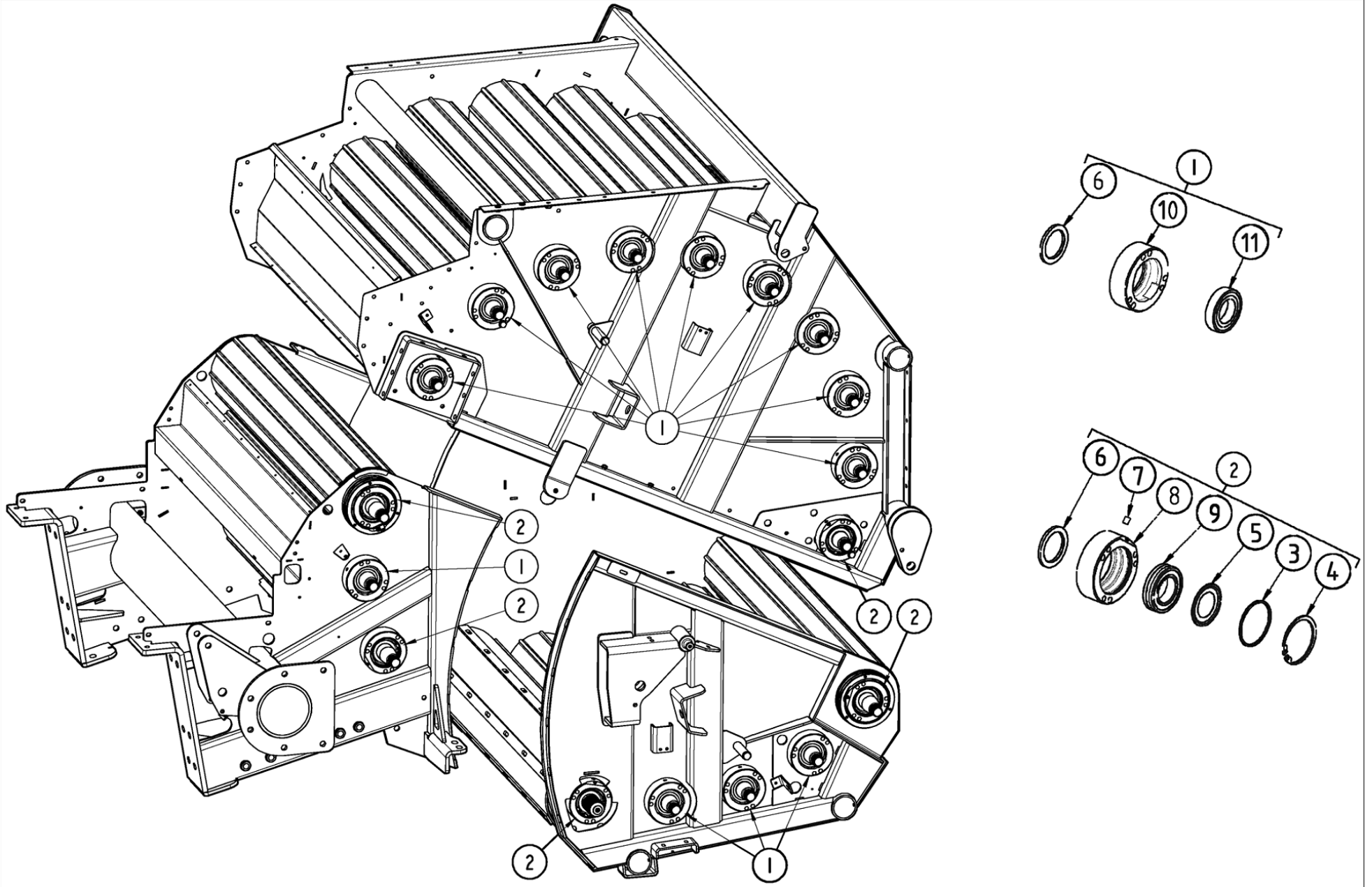
Roller locations (513)



No.	Part No	Description	Qty
1	ACH00892	CHAMBER FRONT SECTION COMP	1
2	ARC00028	BALER ROLLER 3 BOLT FLANGE	3
3	ARC00030	BALER ROLLER STD COMP. ASSY.	14
4	ACH00891	BALER BOTTOM DOOR AS	1
5	ARC00034	FRONT CHAMBER ROLLER	1
6	ACH00974	BALER TOP DOOR ASSY	1

No.	Part No	Description	Qty
-----	---------	-------------	-----

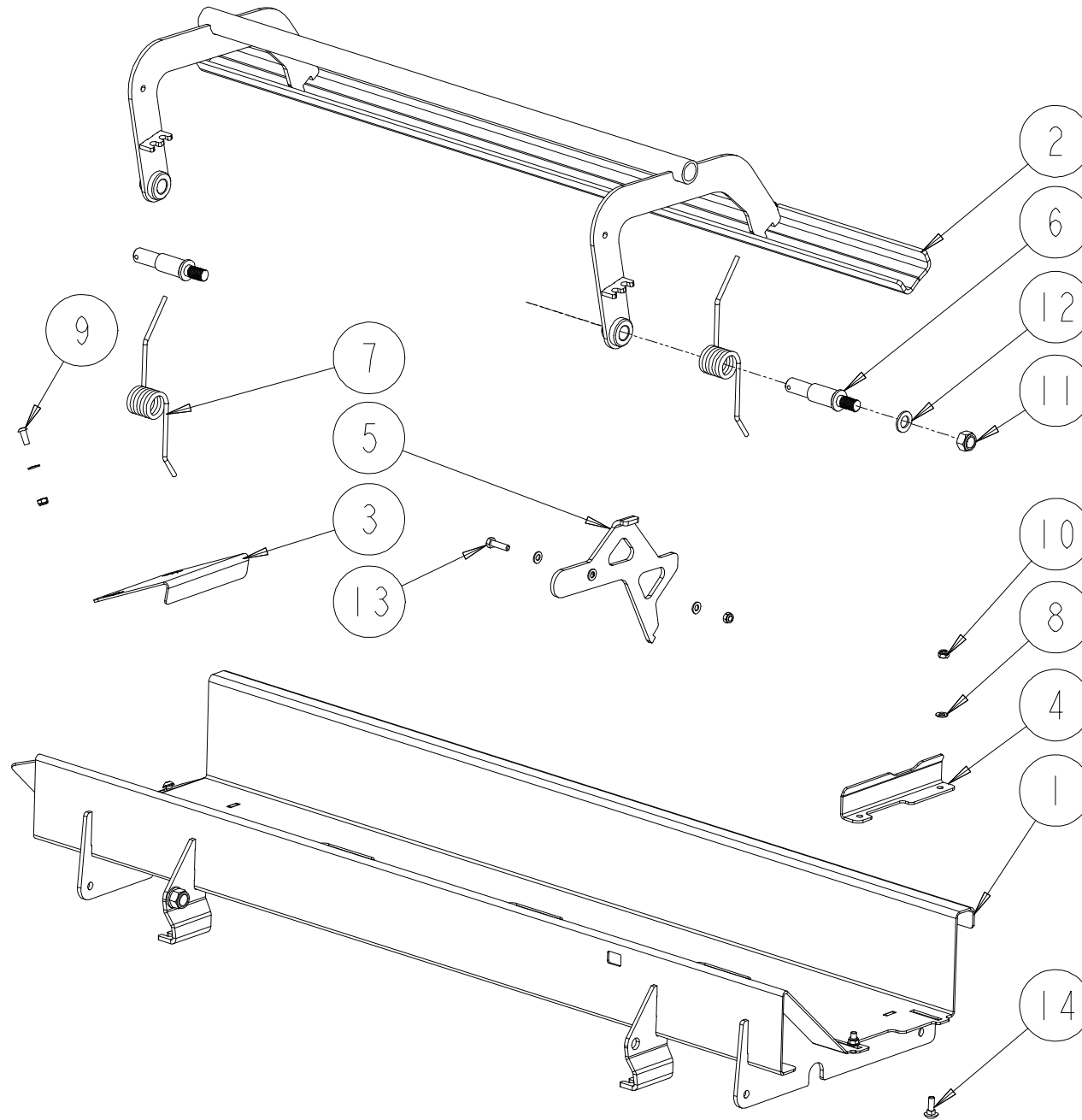
Bearings (517)



No.	Part No	Description	Qty
1	ART00293	BEARING ROLLER COMP ASSY	13
2	ART00051	BEARING ROLLER COMP ASSY	5
3	CZC02063	3MML BEARING RETAINING RING	1
4	CFA00452	CIRCLIP 95MM INTERNAL	1
5	CBR00061	NILOS-RING 6210AV	1
6	CSE00099	SEAL OIL 58X80X8	1
7	CFA00559	GRUBSCREW M10X12	1
8	CMH00511	BUSH 90X135X46 BEARING HOUSING	1
9	CBR00060	BEARING SPHERICAL SKF 2210CC	1
10	CMH00905	BUSH 90X135X46 BEARING HOUSING	1
11	CBR00083	BEARING 1726210-2RS RADIAL	1

No.	Part No	Description	Qty
-----	---------	-------------	-----

Net box (519)



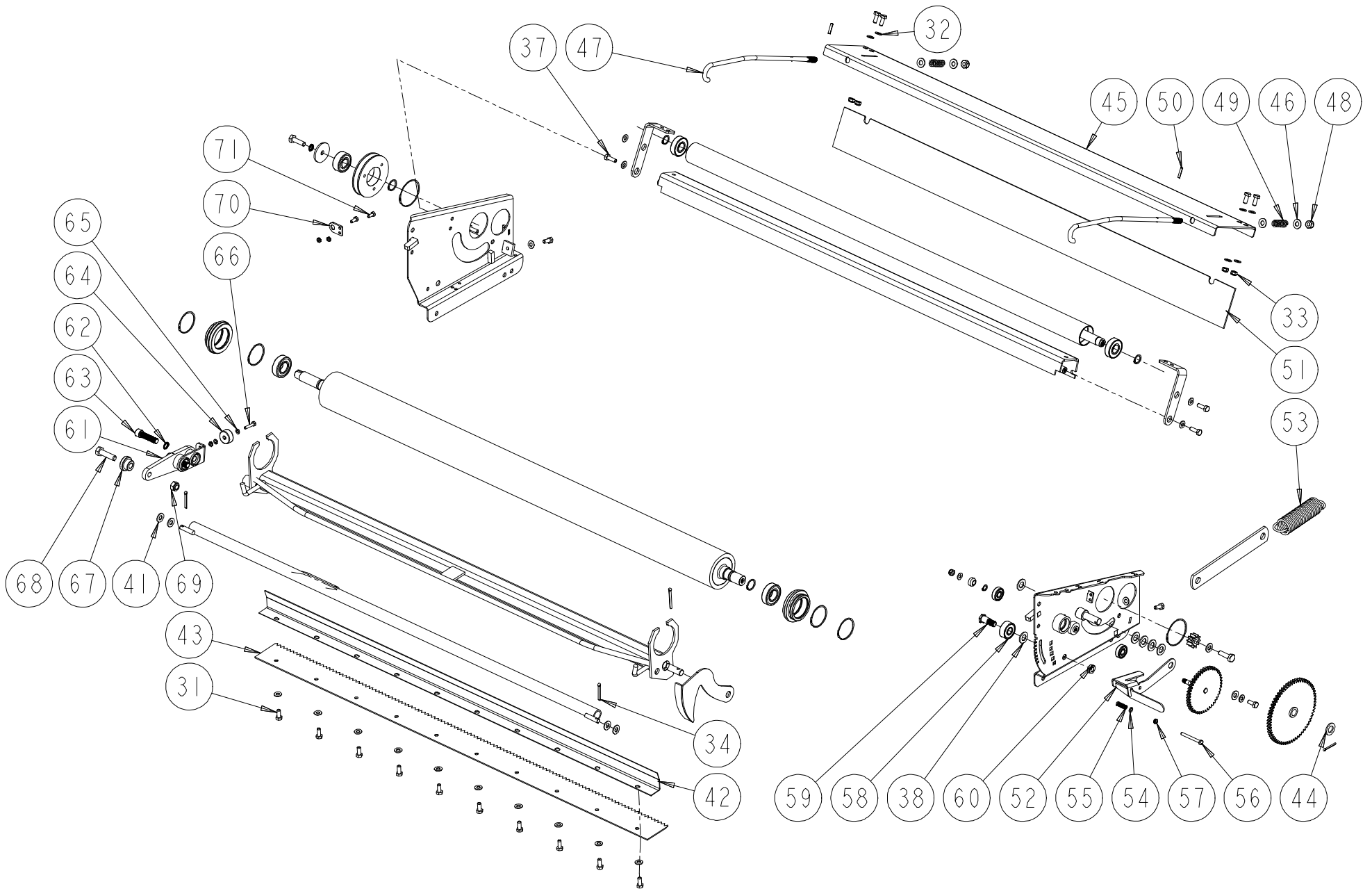
No.	Part No	Description	Qty
1	ACH00912	NET BOX WELD ASSY FU	1
2	ACH00913	NET BOX BRAKE ASSY F	1
3	CZC02248	3MM L NET CARRIER PA	1
4	CZC03270	3MM L NET BOX PART	1
5	CZF04602	6MM L NET BRAKE BAR PART	1
6	CMH00418	PIN 20X30X125 STEPPED&M16THREAD	2
7	CSG00012	SPRING TOR 5.893X41X46.55X6.9	2
8	CFA00147	WASHER FLAT 8MM Z/P	9
9	CFA00429	SETSCREW M8X20 BUTTON HEAD Z/P	2
10	CFA00132	NUT M8 NYLOC Z/P	5
11	CFA00128	NUT M16 NYLOC	2
12	CFA00140	WASHER FLAT 16MM Z/P	2
13	CFA00316	BOLT M8X30 Z/P	1
14	CFA00591	BOLT M8X25 CUP SQ Z/P	2

No.	Part No	Description	Qty
-----	---------	-------------	-----

No.	Part No	Description	Qty
1	ACH00281	KNIFE HOLDER ASSY. (NET UNIT)	1
2	CMH00786	BUSH 52X80X25 STEPPED&CIRCLIP	2
3	ARC00044	ROLLER NET UNIT (LARGE)	1
4	CBR00009	BEARING 6205 2RS	2
5	CFA00461	CIRCLIP 52MM INTERNAL	4
6	CMH00603	GEAR SPUR MOD 2.5 10 TOOTH	1
7	CFA00016	BOLT M10X35	2
8	CFA00251	WASHER SKM10	1
9	CMH00596	V BELT PULLEY WHEEL	1
10	ACH00278	NET UNIT (LEFT) WELD ASSY.	1
11	CBR00067	BEARING 6201	2
12	ACH00279	PLATEWHEEL ASSY. NET UNIT	1
13	ACH00277	NET UNIT (RIGHT) WELD ASSY.	1
14	ACH00282	SMALL NET ROLLER GUARD	1
15	CZE00136	5MM L NET UNIT BRACKET	2
16	MOD00013	KIT STEEL NETTER ROLLER MOD	1
<i>REPLACEMENT KIT FOR MACHINES UP TO SERIAL NO 654285 FUSION 2 (INCLUDES ITEMS 15 THROUGH 20)</i>			
16	ARC00205	ROLLER STEEL NET UNIT BACK	1
<i>USED ON MACHINES FROM SERIAL NO 654286 ONWARDS FUSION 2 & FUSION 3</i>			
17	CMH01253	SHAFT STUB FOR ARC00205	2
18	CMH01251	ROLLER NET UNIT 70X61X1260	1
18a	CFA00002	CIRCLIP 62MM INTERNAL	4
19	CBR00024	BEARING 6206 2RS	2
20	CFA00402	CIRCLIP 30MM EXTERNAL ZP	2
21	ACH00280	NET UNIT LOCK BAR ASSY.	1
22	CZF02655	6MM L NET UNIT LINK ARM PART	1
23	ARC00050	SPROCKET 64/12 TOOTH ASSY	1
24	CBR00084	BEARING SEALED SPRAG CLUTCH	1
25	ACH00369	NET RELEASE UNIT ASSY.	1
26	CFA00499	CIRCLIP 10MM EXTERNAL	1
27	CMH00705	BUSH 10X25X10 NYLON	1
28	CFA00001	CIRCLIP 25MM EXTERNAL Z/P	2
29	CFA00501	CIRCLIP 65MM EXTERNAL	2
30	CFA00249	WASHER SKM8	17
31	CFA00052	SETSCREW M8X20 Z/P	17
32	CFA00147	WASHER FLAT 8MM Z/P	7
33	CFA00132	NUT M8 NYLOC Z/P	5
34	CFA00475	SPLIT PIN 5X40 Z/P	2
35	CZD00121	4MM L CUT & TIE SPACER Z/P	1
36	CFA00137	WASHER SPRING 10MM H.D Z/P	1
37	CFA00102	SETSCREW M8X25 Z/P	4
38	CFA00222	WASHER FLAT 14MM Z/P	6
39	CFA00556	SPLIT PIN 6X50 Z/P	1
40	CFA00450	SPLIT PIN 4 X36 Z/P	1

No.	Part No	Description	Qty
-----	---------	-------------	-----

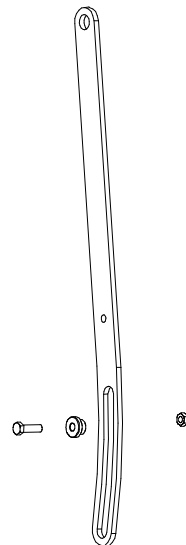
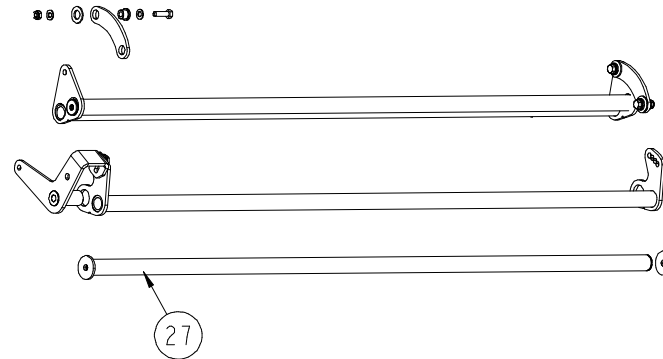
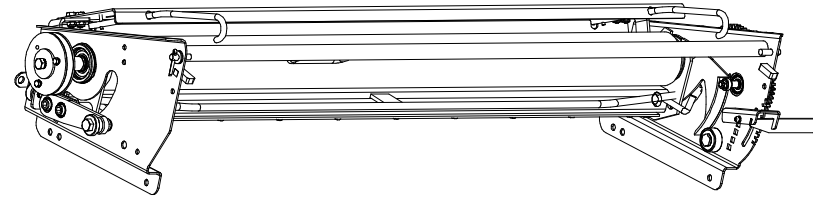
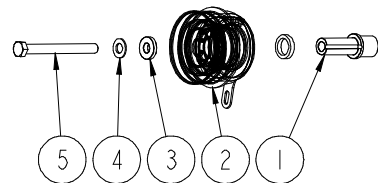
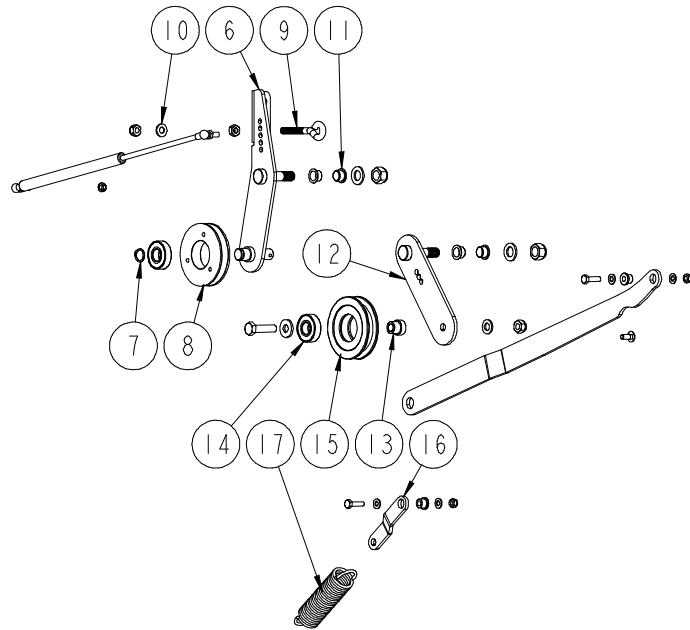
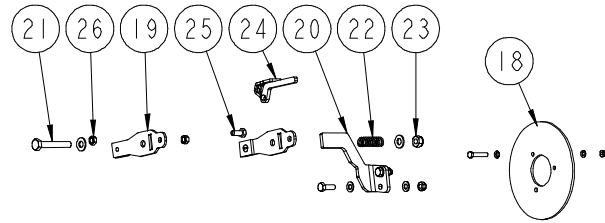
Netter unit 2 (521)



No.	Part No	Description	Qty
41	CFA00201	WASHER FLAT 10 MM Z/P	5
42	CZB02093	1.5MM L KNIFE GUARD PEICE	1
43	CKN00013	KNIFE FOR NET UNIT VERSION 2	1
44	CFA00140	WASHER FLAT 16MM Z/P	1
45	CZC02215	3MM L DIRT COVER FOR NET UNIT	1
46	CFA00201	WASHER FLAT 10 MM Z/P	4
47	CXR00117	ROD 10MM X 430 THREADED	2
48	CFA00123	NUT M10 NYLOC	2
49	CSG00033	SPRING COMP 2.5WDX15ODX9 COIL	2
50	CFA00199	ROLL PIN 5X25 Z/P	2
51	CBE00032	CANVIS 1250X100 NET ROLLER COVER	1
52	ACH00666	NETTER UNIT HANDLE ASSEMBLY	1
53	CSG00017	SPRING EXT 4.47X40.6X176X26	1
54	CFA00641	WASHER FLAT 6MM NYLON	1
55	CSG00049	SPRING COMP 1.6X11.6X30X10	1
56	CFA00054	SETSCREW M6X60 Z/P	1
57	CFA00131	NUT M6 NYLOC	4
58	CBR00081	BEARING CAM INA LR 5202 NPPU	1
59	CMH00672	BOLT SHOULDER 3/4" H	1
60	CFA00446	NUT M12 HEXAGON LOCK/HALF NUT	1
61	ACH00868	NET KNIFE RESET ARM FUSION	1
62	CFA00799	WASHER M12 NORDLOCK	2
63	CFA00557	BOLT M12X50 SOC CAP ZP	2
64	CEL00017	MAGNET BLUE WHEEL	1
65	CFA00144	WASHER FLAT 6MM Z/P	2
66	CFA00190	SETSCREW M6X30 STAINLESS STEEL	1
67	CMH00771	BUSH 12X35 STEPPED	1
68	CFA00079	BOLT M12X45	1
69	CFA00124	NUT M12 NYLOC	1
70	CZC02261	3MM L NET SENSOR BRACKET	1
71	CFA00454	SETSCREW M6 X 16 Z/P	2

No.	Part No	Description	Qty
-----	---------	-------------	-----

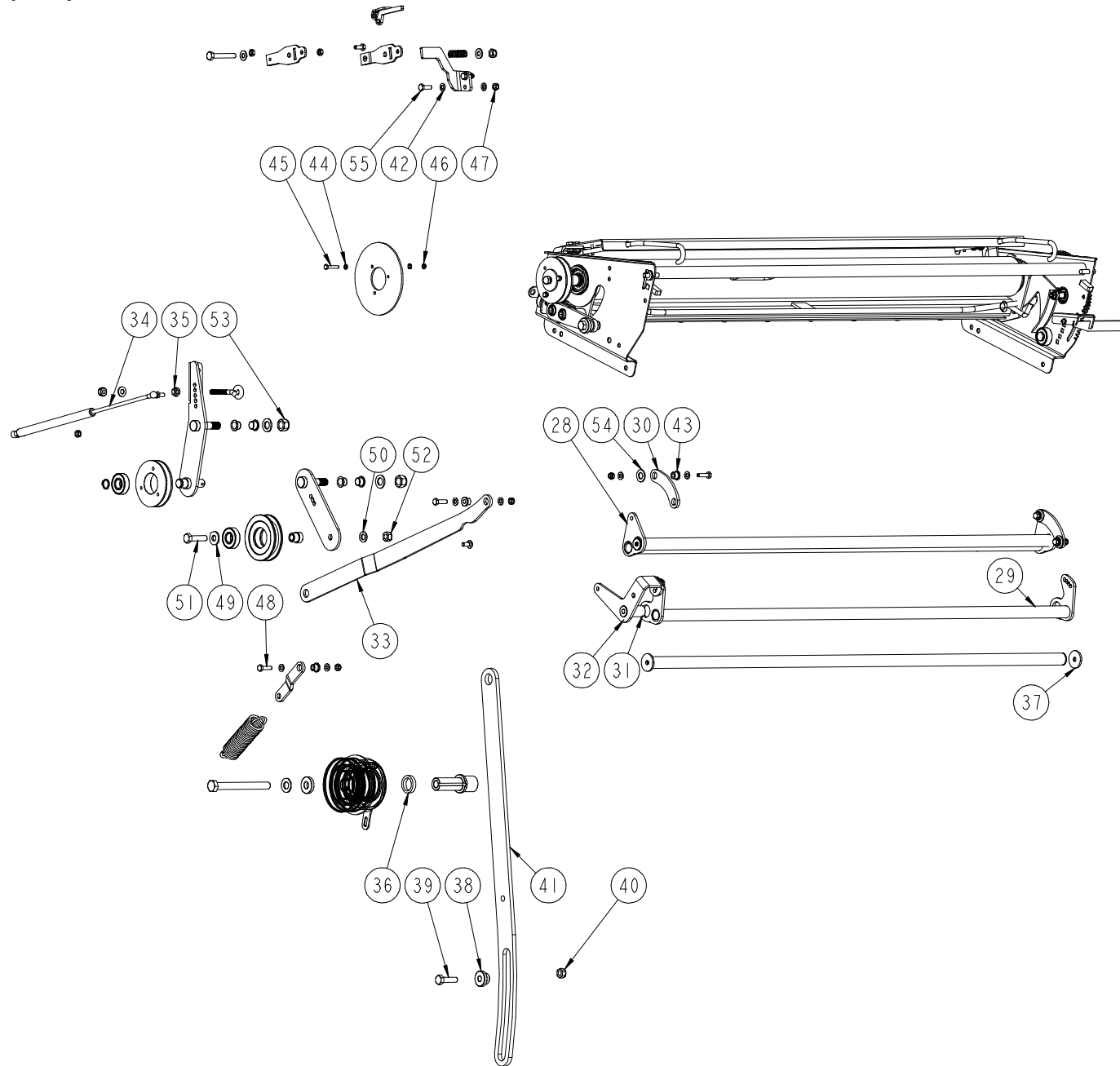
Net tensioner 1 (522)



No.	Part No	Description	Qty
1	CMH02205	SHAFT 40X115 STEPPED	1
2	CEL00259	MAGNETIC CLUTCH UNIT 12V	1
3	CMH02206	WASHER 16X38X10 STEPPED Z/P	1
4	CFA00252	WASHER SKM16	1
5	CFA00772	BOLT M16X160	1
6	ALA00152	BELT TENSION ARM	1
7	CFA00339	CIRCLIP 20MM EXTERNAL	1
8	CMH00596	V BELT PULLEY WHEEL	1
9	CFA00773	BOLT EYE M10X95	1
10	CFA00201	WASHER FLAT 10 MM Z/P	4
11	CBR00118	BEARING STEPPED PLAS 16X18X12	4
12	ALA00198	BELT TENSION COMP ASSY	1
<i>INCLUDES ITEMS 13 THROUGH 17</i>			
12	ALA00197	BELT TENSION WELD ASSY	1
13	CMH00261	BEARING HOLDER CONCENTRIC Z/P	1
<i>REPLACED CMH00936</i>			
14	CBR00020	BEARING 6204 2RS	1
15	ANT00004	PULLEY WHEEL BELT TENSIONER ASSY	1
<i>INCLUDES PULLEY CMH00611, BEARING CBR00020 & CIRCLIP CFA00458</i>			
15	CMH00611	PULLEY 85MM OD GROVED	1
15a	CFA00458	CIRCLIP 47MM INTERNAL	1
16	CZF04593	6MM L BELT TENSIONER PART	1
17	CSG00229	SPRING EXT	1
18	CZD02527	4MM L NET BRAKE RELEASE PART	1
19	ABS00023	BRAKE PAD KIT NET BRAKE RELEASE	1
20	CZF04615	6MM L BRAKE PART NET BRAKE	1
21	CFA00383	BOLT M10X70 Z/P	1
22	CSG00058	SPRING COMP 2.2WDX15ODX9 COIL	1
23	CFA00123	NUT M10 NYLOC	2
24	ABS00021	NET BRAKE RELEASE HANDLE	1
25	CFA00052	SETSCREW M8X20 Z/P	1
26	CFA00133	NUT M8 Z/P	2
27	ALA00147	NET TENSION BAR	2

No.	Part No	Description	Qty
-----	---------	-------------	-----

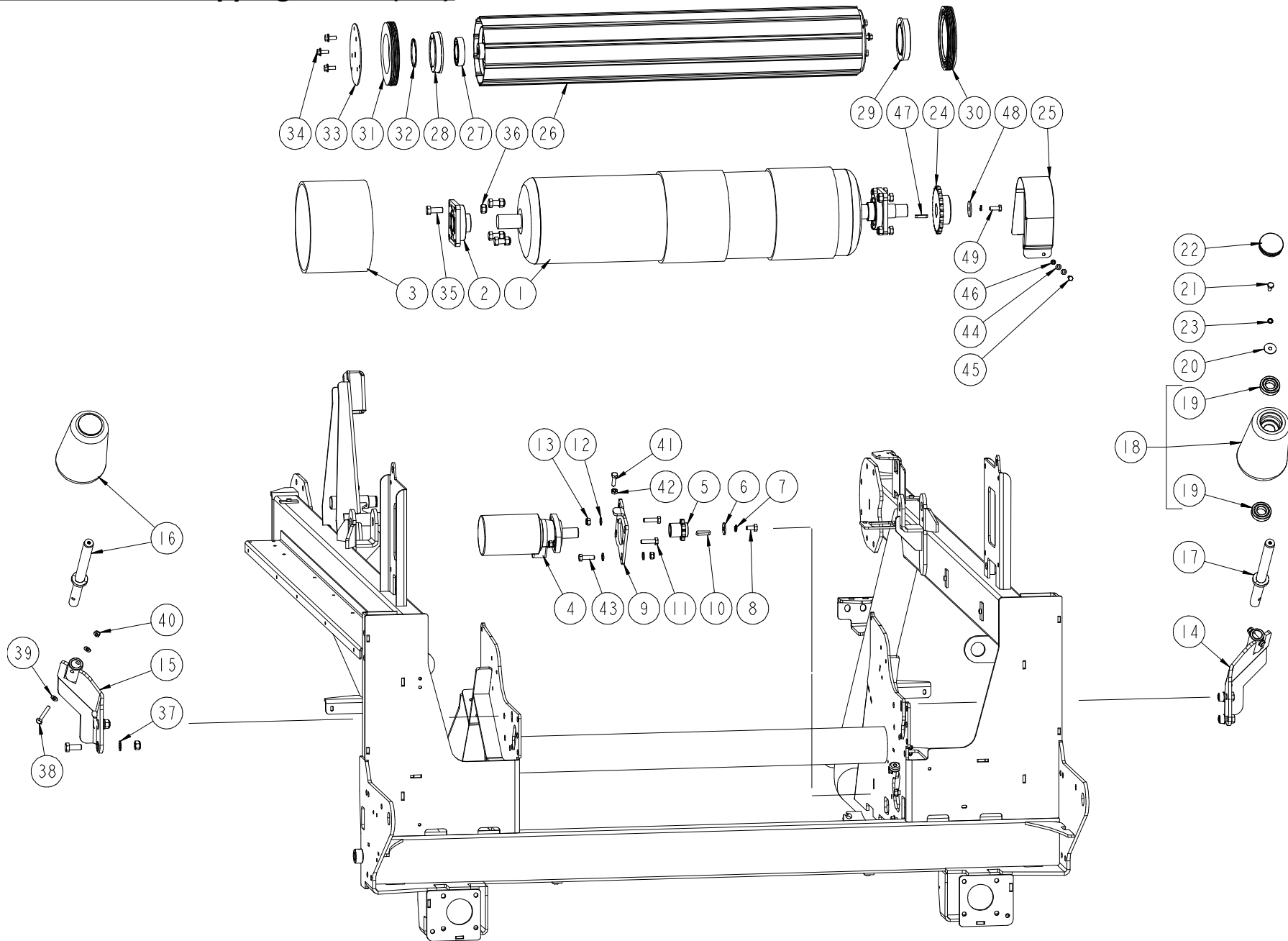
Net tensioner 2 (523)



No.	Part No	Description	Qty
28	ALA00184	NET BRAKE BAR TOP FUSION	1
29	ALA00185	NET BRAKE BAR LOWER	1
30	CZF04542	6MM L NET TENSION BAR PART	2
31	CMH01075	BUSH 10X25X55	1
32	CZF04566	6MM L NET TENSION BAR PART	1
33	CZF04672	6MM L NET TENSION PART FUSION	1
34	CRA00171	GAS STRUT 8X18 650N	1
35	CFA00256	NUT M10 Z/P	1
36	CZG02245	8MM L SPACER PART CLUTCH UNIT	1
37	CZD00118	4MM L CUT& TIE SPACER	2
38	CMH00771	BUSH 12X35 STEPPED	1
39	CFA00079	BOLT M12X45	1
40	CFA00124	NUT M12 NYLOC	2
41	CZH03388	10MM L NET RESET ARM	1
42	CFA00147	WASHER FLAT 8MM Z/P	16
43	CMH00742	BUSH 8X20X13 Z/P	5
44	CFA00144	WASHER FLAT 6MM Z/P	6
45	CFA00253	SETSCREW M6X35 Z/P	3
46	CFA00131	NUT M6 NYLOC	3
47	CFA00132	NUT M8 NYLOC Z/P	10
48	CFA00491	SETSCREW M8X30 Z/P	5
49	CFA00139	WASHER FLAT 12MM H/D Z/P	1
50	CFA00138	WASHER FLAT 12MM Z/P	1
51	CFA00272	BOLT M12X50 Z/P	1
52	CFA00124	NUT M12 NYLOC	1
53	CFA00128	NUT M16 NYLOC	2
54	CFA00222	WASHER FLAT 14MM Z/P	4
55	CFA00407	BOLT M8X25 Z/P	2

No.	Part No	Description	Qty
-----	---------	-------------	-----

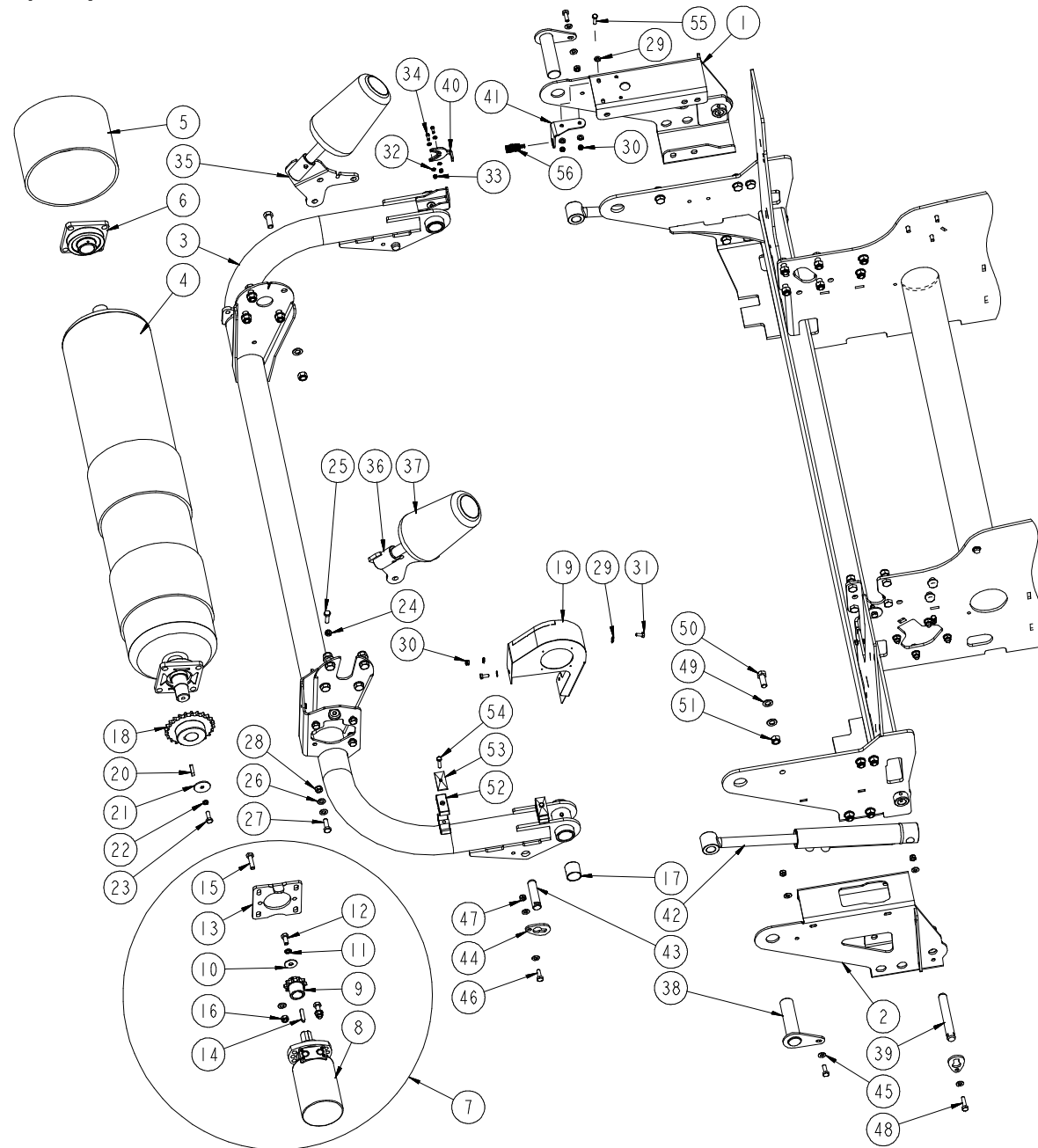
Transfer & Front wrapping rollers (524)



No.	Part No	Description	Qty
1	ART00317	FRONT FUSION ROLLER + BELTS COMPLETE	1
2	CBR00046	BEARING FLANGE SF 1 3/4"	2
3	ALA00129	BELT KIT FOR FUSION	3
4	CMT00064	MOTOR 625CC SIDE PORT 32SHAFT	1
5	CMH00749	SPROCKET 3/4" 10T 32DIA	1
6	CZC02058	3MM L WASHER 38 X 12.5 X 3	1
7	CFA00207	WASHER SPRING 12MM HD ZP	1
8	CFA00031	SETSCREW M12X25 Z/P	1
9	CZG02077	8MM L MOTOR PLATE PART	1
10	CFA00081	KEY 10X8X45	1
11	CFA00065	SETSCREW M12X45 Z/P	2
12	CFA00138	WASHER FLAT 12MM Z/P	10
13	CFA00124	NUT M12 NYLOC	6
14	ARC00127	BOBBIN BRACKET LEFT FUSION	1
15	ARC00128	BOBBIN BRACKET RIGHT FUSION	1
16	ART00044	BOBBIN ASSY COMBI	2
<i>UP TO SERIAL NO 654558</i>			
16	ART00350	BOBBIN ASSY FUSION	2
<i>FROM SERIAL NO 654559</i>			
17	ART00005	BOBBIN AXLE SHAFT	1
18	CPL00038	BOBBIN ASY	1
18	CPL00008	BOBBIN ASY FUS	1
<i>FROM SERIAL NO 654559</i>			
19	CBR00024	BEARING 62062RS	2
20	CFA00134	WASHER MUDWING M10X38MM OD	1
21	CFA00024	SETSCREW M10X25 Z/P	1
22	CBC00008	CAP PLAS INSERT 75MM	1
23	CFA00137	WASHER SPRING 10MM ZP HD	2
24	CMH00396	SPROCKET 3/4" 24T 40 DIA	1
25	CGD00104	GUARD WRAPPER DRIVE CHAIN	1
26	ARC00054	ROLLER BALE TRANSFER BALER	1
27	CBR00083	BEARING 1726210-2RS RADIAL	2
28	CMH00697	FLANGE 90X145X25 MACHINED	1
29	CMH00977	BUSH 90X135X25	1
30	CPL00052	NYLON SEAL ROLLER DRIVE SIDE	1
31	CPL00053	NYLON SEAL ROLLER NON DRIVE SIDE	1
32	CZC02063	3MM L BEARING RETAINER RING	1
33	CZC02273	3MM L ROLLER SPACER	2
34	CFA00520	SETSCREW M10X25 FLD ZP	6
35	CFA00151	SETSCREW M16X40 Z/P	12
36	CFA00128	NUT M16 NYLOC	12
37	CFA00140	WASHER FLAT 16MM Z/P	8
38	CFA00026	BOLT M10X60	2
39	CFA00201	WASHER FLAT 10 MM Z/P	4
40	CFA00123	NUT M10 NYLOC	2
41	CFA00312	SETSCREW M10X40 Z/P	1
42	CFA00256	NUT M10 Z/P	1
43	CFA00297	BOLT M12X40 Z/P	4
44	CFA00147	WASHER FLAT 8MM Z/P	4

No.	Part No	Description	Qty
45	CFA00407	BOLT M8X25 Z/P	2
46	CFA00132	NUT M8 NYLOC Z/P	2
47	CFA00239	KEY 10X8X40	1
48	CZD00121	4MM L CUT & TIE SPACER Z/P	1
49	CFA00025	SETSCREW M10X30	1

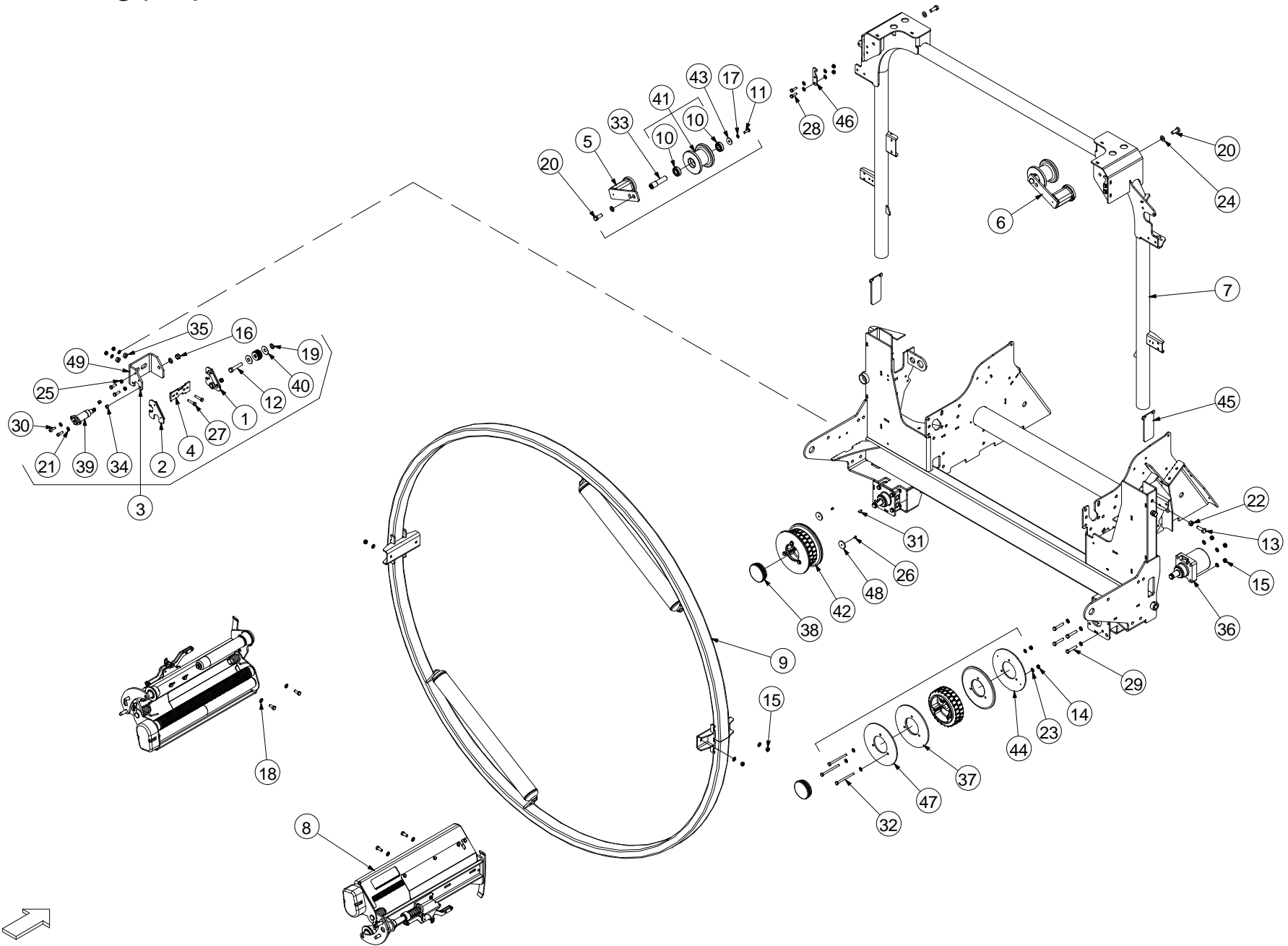
Rear wrapping cradle (809)



No.	Part No	Description	Qty
1	ARC00298	CRADLE SUPPORT LH WELD ASSY	1
2	ARC00299	CRADLE SUPPORT RH WELD ASSY	1
3	ACH00416	WRAPPER REAR FRAME WELD ASSY	1
4	ART00102	REAR FUSION ROLLER + BELTS COMPLETE	1
5	ALA00129	BELT KIT FOR FUSION	3
6	CBR00046	BEARING FLANGE SF 1 3/4"	2
7	ART00086	MOTOR ASY FUSION REAR ROLLER	1
8	CMT00064	MOTOR 625CC SIDE PORT 32SHAFT	1
9	CMH00749	SPROCKET 3/4" 10T 32DIA	1
10	CZC02058	3MM L WASHER 38 X 12.5 X 3	1
11	CFA00207	WASHER SPRING 12MM HD ZP	1
12	CFA00031	SETSCREW M12X25 Z/P	1
13	CZG02077	8MM L MOTOR PLATE PART	1
14	CFA00081	KEY 10X8X45	1
15	CFA00065	SETSCREW M12X45 Z/P	2
16	CFA00124	NUT M12 NYLOC	2
17	CBR00082	BEARING GLACIER 4040 SY	4
18	CMH00396	SPROCKET 3/4" 24T 40 DIA	1
19	CGD00038	GUARD REAR ROLLER CRADLE BALER	1
20	CFA00239	KEY 10X8X40	1
21	CZD00121	4MM L CUT & TIE SPACER Z/P	1
22	CFA00137	WASHER SPRING 10MM ZP HD	1
23	CFA00025	SETSCREW M10X30	1
24	CFA00256	NUT M10 Z/P	1
25	CFA00312	SETSCREW M10X40 Z/P	1
26	CFA00138	WASHER FLAT 12MM Z/P	10
27	CFA00033	SETSCREW M12X35 Z/P	4
28	CFA00124	NUT M12 NYLOC	4
29	CFA00147	WASHER FLAT 8MM Z/P	10
30	CFA00132	NUT M8 NYLOC Z/P	5
31	CFA00052	SETSCREW M8X20 Z/P	3
32	CFA00144	WASHER FLAT 6MM Z/P	5
33	CFA00131	NUT M6 NYLOC	3
34	CFA00098	SETSCREW M6X25 ZP	2
35	ACH01348	BOBBIN BRACKET WELD ASSY LEFT	1
36	ACH01349	BOBBIN BRACKET WELD ASSY RIGHT	1
37	ART00363	BOBBIN ASSY SIDE TIP FUSION	2
38	ACH00396	40MM PIN ASSY WRAPPER CRADLE	2
39	CMH00403	PIN 25X170 Z/P MILLED FOR CAP	2
40	CZD02792	4MM L SENSOR PLATE PART	1
41	CZD02722	4MM L SENSOR BRACKET PART	1
42	CRA00558	RAM 50X30 ROLLER CRADLE FUSION	2
43	CMH00422	PIN 25 X 100 MILLED FOR CAP Z/P	2
44	CZF00293	6MM L CAP SHORT FOR 25MM PINS	4
45	CFA00201	WASHER FLAT 10 MM Z/P	12
46	CFA00025	SETSCREW M10X30	4
47	CFA00123	NUT M10 NYLOC	6
48	CFA00071	BOLT M10X40	2

No.	Part No	Description	Qty
49	CFA00140	WASHER FLAT 16MM Z/P	36
50	CFA00151	SETSCREW M16X40 Z/P	18
51	CFA00128	NUT M16 NYLOC	18
52	CFA00203	20MM HOSE CLAMP	4
53	CFA00204	HOSE CLAMP COVER PLATE 20-25	2
54	CFA00100	BOLT M8X40 Z/P	2
55	CFA00102	SETSCREW M8X25 ZP	2
56	CEL00767	SENSOR M18 PROX M12 PLUG	1

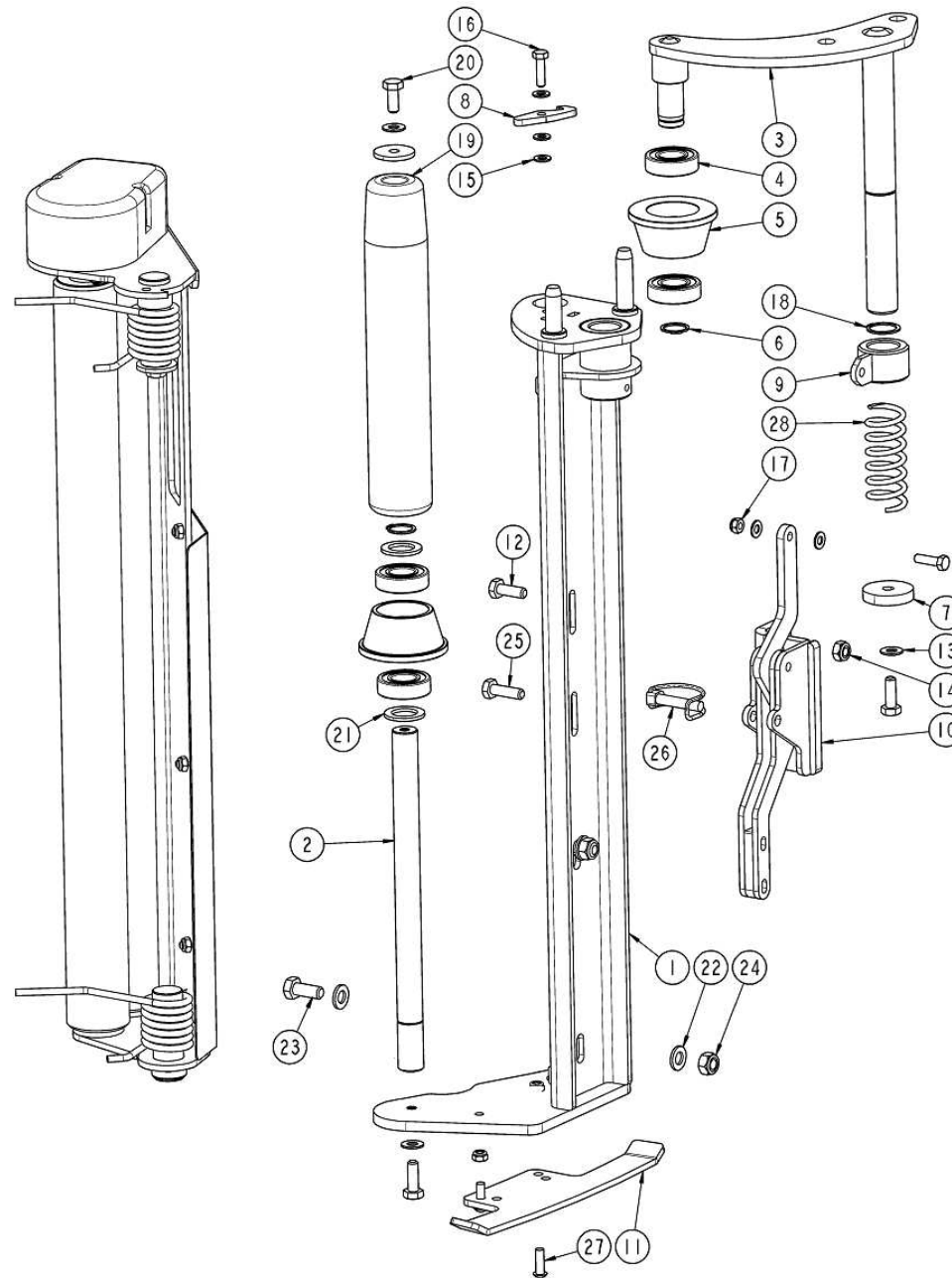
Dispenser ring (810)



No.	Part No	Description	Qty
1	ABS00014	BRAKE PAD SET CALIPER FUSION	1
INCLUDES ITEM 2			
2	ABS00014	BRAKE PAD SET CALIPER FUSION	1
INCLUDES ITEM 1			
3	ACH00342	BRAKE CALLIPER ASSY	1
COMPLETE ASSEMBLY			
4	ACH00344	BRAKE PAD SLIDE ASSY	1
5	ACH00363	SUSPENSION UNIT ASSY	2
6	ACH00364	SUSPENSION UNIT DISPENSER RING	2
COMPLETE ASSEMBLY			
7	ACH02505	DISPENSER TOP CROSS BEAM FUSION 3	1
8	ADP00079	DISP COMPLETE ASSY BALER/WRAPPER	2
9	ADP00060	DISPENSER RING WELD ASSY	2
9a	CFA00580	BOLT M20X130 Z/P	4
9b	CFA00413	WASHER FLAT 20MM Z/P	8
9c	CFA00129	NUT M20 NYLOC	4
10	CBR00009	BEARING 6205 2RS	4
11	CFA00025	SETSCREW M10X30	2
12	CFA00043	BOLT M16X80	1
13	CFA00074	SETSCREW M16X45 Z/P	4
14	CFA00123	NUT M10 NYLOC	12
15	CFA00124	NUT M12 NYLOC	9
16	CFA00128	NUT M16 NYLOC	1
17	CFA00137	WASHER SPRING 10MM H.D Z/P	2
18	CFA00138	WASHER FLAT 12MM Z/P	16
19	CFA00140	WASHER FLAT 16MM Z/P	4
20	CFA00151	SETSCREW M16X40 Z/P	4
21	CFA00201	WASHER FLAT 10 MM Z/P	10
22	CFA00231	NUT M16 Z/P	4
23	CFA00251	WASHER SKM10	14
24	CFA00252	WASHER SKM16	2
25	CFA00256	NUT M10 Z/P	2
26	CFA00115	SETSCREW M6X20 Z/P	2
27	CFA00310	BOLT M10X50 Z/P	2
28	CFA00311	SETSCREW M10X35 Z/P	6
29	CFA00579	BOLT M12X65 Z/P	8
30	CFA00602	SETSCREW M10X30 SOC CAP Z/P	2
31	CFA00611	KEY RING MOTOR FUSION	2
32	CFA00793	BOLT M10X130 Z/P	6
33	CMH00694	PIN 30X115 STEPPED 25	2
34	CMH00809	BUSH 10X25X11.5	2
35	CMH01329	BUSH 10X25X11.25	2
36	CMT00056	MOTOR 80CC WHEEL TAPER SHAFT	2
37	CPL00049	PLASTIC WHEEL WEAR PLATE	4
38	CPL00106	BLANKING CAP 110MM BLACK	2
39	CRA00172	RAM BRAKE CALLIPER	1
40	CSG00032	SPRING BELVILLE 18X50	14
41	CWH00253	WHEEL IDLE ROLLER FUSION	2
INCLUDES BEARINGS			

No.	Part No	Description	Qty
42	CWH00038	DISPENSER DRIVE WHEEL COMP	2
COMPLETE ASSEMBLY			
43	CZD00118	4MM L CUT& TIE SPACER	2
44	CZF02725	6MM L WHEEL SIDE PLATE 250 DIA	2
45	CZF04516	6MM L CHASSIS PART FUSION	2
46	CZF06031	6MM L PLATE	2
47	CZF06108	6MM L WHEEL SIDE PLATE 250 DIA	2
48	CZF06302	6MM L WASHER SENSOR 6X47	2
49	CZH02466	10MM L BRAKE CALLIPER PART	1

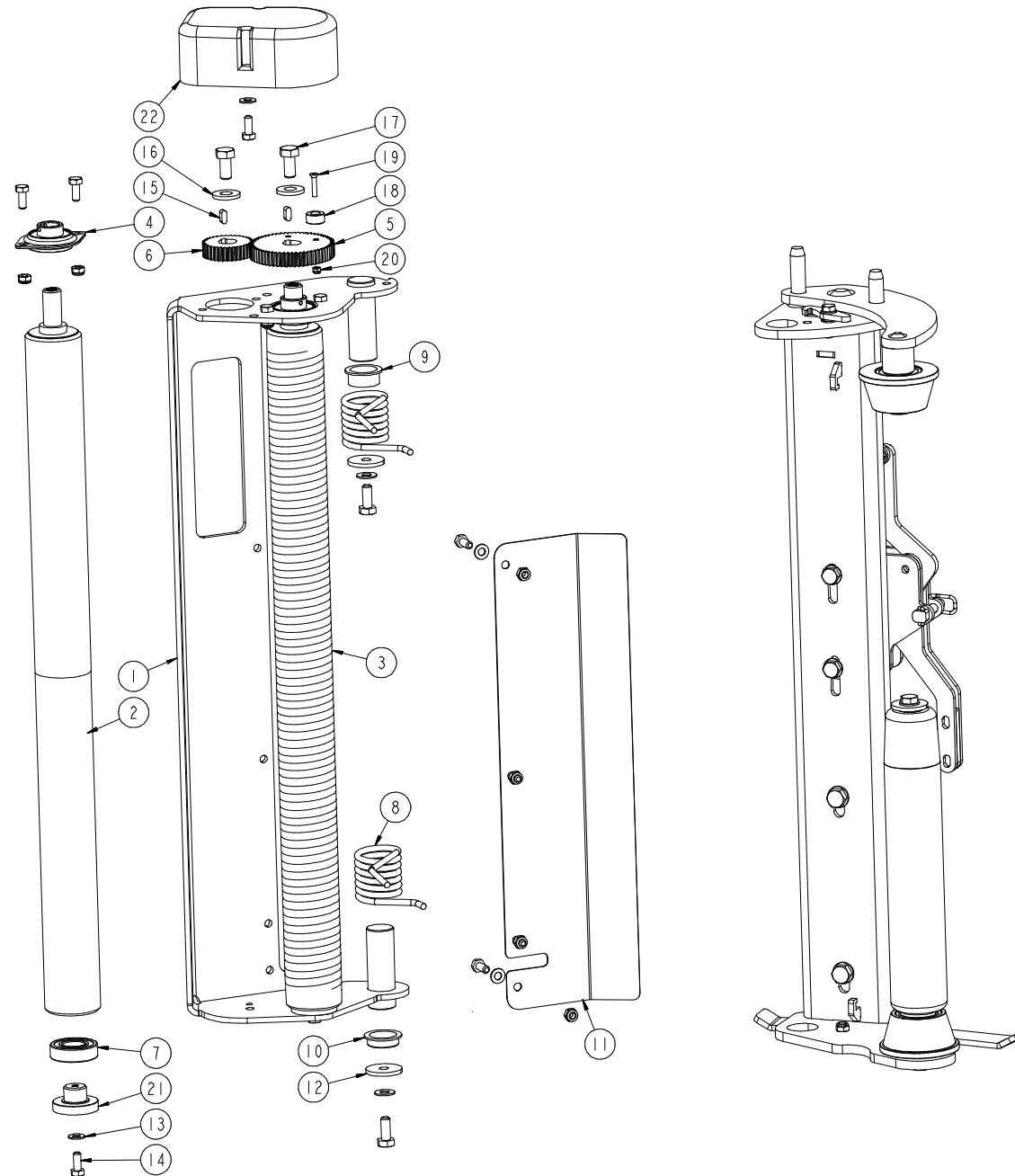
Dispenser 1 (529)



No.	Part No	Description	Qty
1	ADP00080	DISP WELD FILM HOLDER FUSION	1
2	CMH00573	PIN 25X392 AXLE FILM DISPENSER	1
3	ADP00084	DISP ROLL RETAINER WELD ASSY B/W	1
4	CBR00009	BEARING 6205 2RS	4
5	CMH00785	COIL ROLLER (2 BEARING TYPE)	2
6	CFA00001	CIRCLIP 25MM EXTERNAL Z/P	2
7	CZH02093	10MM L WASHER 10X50 Z/P	1
8	CZF02832	6MM L DISPENSER PART BALER	1
9	ADP00100	DISP SLIDE BUSH ASSY	1
10	ADP00162	DIS LOCK COMP ASSY	1
11	CZF02846	6MM L SENSOR PLATE BALER	1
12	CFA00025	SETSCREW M10X30	3
13	CFA00251	WASHER SKM10	7
14	CFA00123	NUT M10 NYLOC	2
15	CFA00147	WASHER FLAT 8MM Z/P	10
16	CFA00316	BOLT M8X30 Z/P	2
17	CFA00132	NUT M8 NYLOC Z/P	12
18	CFA00402	CIRCLIP 30MM EXTERNAL	1
19	CPL00059	BOBBIN DISPENSER ROLL GUIDE	1
20	CFA00024	SETSCREW M10X25 Z/P	3
21	CZC00112	3MM L DISPENSER SPACER	2
22	CFA00138	WASHER FLAT 12MM Z/P	4
23	CFA00032	SETSCREW M12X30 Z/P	2
24	CFA00124	NUT M12 NYLOC	2
25	CFA00311	SETSCREW M10X35 Z/P	1
26	CFA00194	LINCH PIN PIPE 10MMX50MM	1
27	CFA00744	SETSCREW M8X25 BUTTO	2
28	CSG00213	SPRING 4.88W/D X 31ID X 7T/C X 100 F/C	1

No.	Part No	Description	Qty
-----	---------	-------------	-----

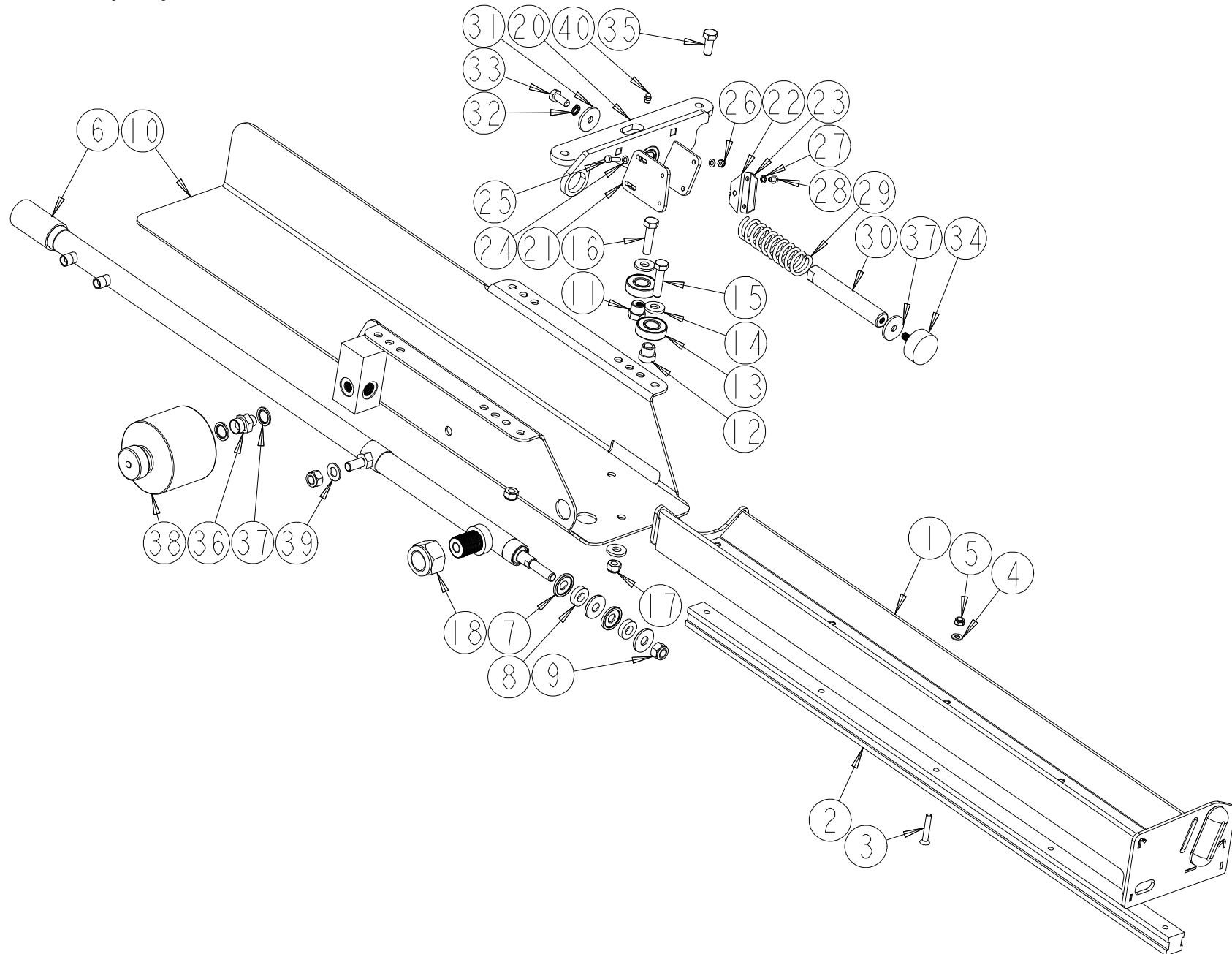
Dispenser 2 (530)



No.	Part No	Description	Qty
1	ADP00082	DISP ROLLER FRAME WELD ASSY B/W	1
2	CMH00580	ROLLER SECONDARY ALU BALER/WRAPPER	1
3	CMH02320	ROLLER DISPENSER PRIMARY SPIROL FUSION/W20	1
4	CBR00004	BEARING 20MM 2BOLT P/S FLANGE	2
5+6	ADP00018	KIT DISPENSER GEARS 70%	1
5+6	ADP00019	KIT DISPENSER GEARS 55%	1
7	CBR00009	BEARING 6205 2RS	2
8	CSG00041	SPRING TOR 6.35WDX48ODX7.8COIL	2
9	CBR00068	BEARING 30X34X16 STEPPED PLAS	1
10	CBR00107	BEARING 30X34X11 STEPPED PLAS	1
11	CZB02152	1.5MM L DISPENSER GRASS GUARD	1
12	CZD00118	4MM L CUT& TIE SPACER	3
13	CFA00249	WASHER SKM8	4
14	CFA00052	SETSCREW M8X20 Z/P	12
15	CFA00153	KEY 6X6X15	2
16	CFA00139	WASHER FLAT 12MM H/D Z/P	2
17	CFA00031	SETSCREW M12X25 Z/P	2
18	CEL00059	MAGNET 20 X 10 260369	1
19	CFA00608	SETSCREW M5X25 CSK HEAD SS	1
20	CFA00348	NUT M5 NYLOC SS	1
21	CMH00583	PIN 50X40 STEPPED 20	2
22	CEL00221	TRANSMITTER EVEN/GEAR COVER	1
22	CEL00222	TRANSMITTER ODD/ GEAR COVER	1
22	CEL00636	KIT TRANSMITTERS AND RECEIVER	1

No.	Part No	Description	Qty
-----	---------	-------------	-----

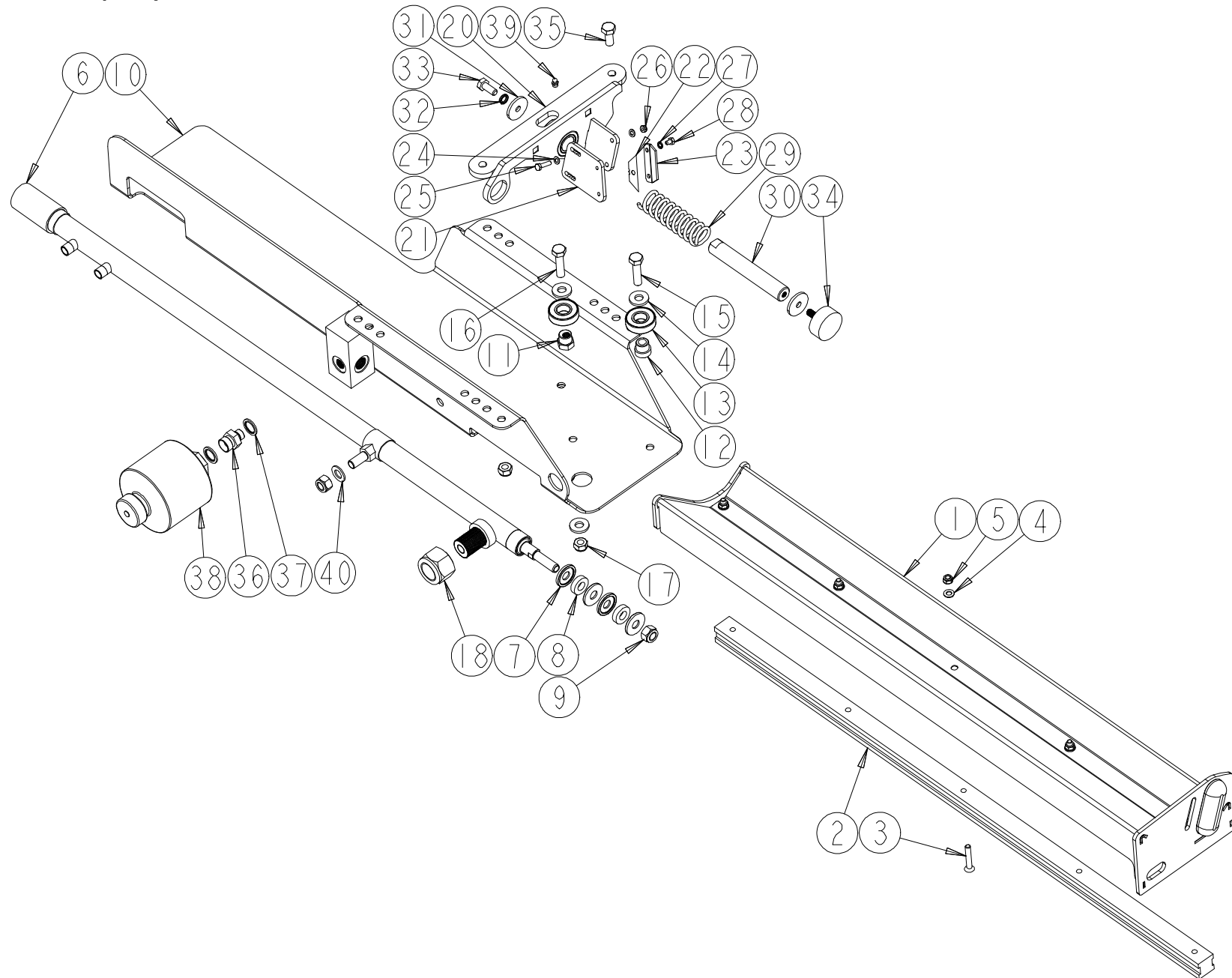
Cut & Hold LH (814)



No.	Part No	Description	Qty
0	ACT00064	CUT & HOLD COMPLETE ASM LHS F3	1
1	ACT00002	CUT&HOLD SLIDER BARE (ALUM)	1
2	CMH00260	CUT&HOLD RAIL	1
3	CFA00089	SETSCREW M8X45 CSK HEX ZP	5
4	CFA00147	WASHER FLAT 8MM ZP	5
5	CFA00132	NUT M8 NYLOC ZP	5
6	CRA00074	RAM 25X18 CUT&HOLD 998	1
7	CMH00330	WASHER DISHED 998 C&H RAM	4
8	CMH00331	WASHER RUBBER 998 C&H	2
9	CFA00126	NUT M14 NYLOC	1
10	ACT00065	CUT & HOLD FRAME WELD ASY LEFT	1
11	CMH00262	BEARING HOLDER ECCENTRIC	1
12	CMH00261	BEARING HOLDER CONCENTRIC ZP	2
13	CBR00020	BEARING 6204 2RS	3
14	CFA00139	WASHER FLAT 12MM H/D ZP	6
15	CFA00272	BOLT M12X50 ZP	2
16	CFA00270	SETSCREW M12X50 ZP	1
17	CFA00124	NUT M12 NYLOC	5
18	CFA00012	NUT 1"1/4 NYLOC UNF	1
19	CFA00126	NUT M14 NYLOC	1
20	ACT00003	CUT&HOLD 998, PLUNGER BRACKET	1
21	CZF02121	6MM L KNIFE PLATE	1
22	CKN00011	KNIFE STANLEY BLADE CUT&HOLD	2
23	CZC02012	3MM L 998/COMBI KNIFE CLAMP	1
24	CFA00144	WASHER FLAT 6MM ZP	4
25	CFA00098	SETSCREW M6X25 ZP	2
26	CFA00131	NUT M6 NYLOC	2
27	CFA00268	WASHER 6MM SHAKEPROOF	2
28	CFA00269	SETSCREW M6X10 ZP	2
29	CSG00036	SPRING COM 4.88X38X150X12	1
30	CMH00023	PIN 25X159 C.PLUNGER C&T	1
31	CZD00118	4MM L CUT& TIE SPACER	2
32	CFA00137	WASHER SPRING 10MM H.D ZP	1
33	CFA00024	SETSCREW M1 0X25 ZP	1
34	CBE00002	BUFFER RUBBER 50X21 M10X28	1
35	CFA00032	SETSCREW M12X30 ZP	2
36	CHY02008	ADAPTOR 1/2" M 3/8" M	1
37	CHY00053	WASHER DOWTY 112"	2
38	CVA03011	ACCUMULATOR 0.7 LITRE 70 BAR	1
39	CFA00222	WASHER FLAT 14MM ZP	1
40	CFA00118	GREASE NIPPLE M8X1.25 STRAIGHT	1

No.	Part No	Description	Qty
-----	---------	-------------	-----

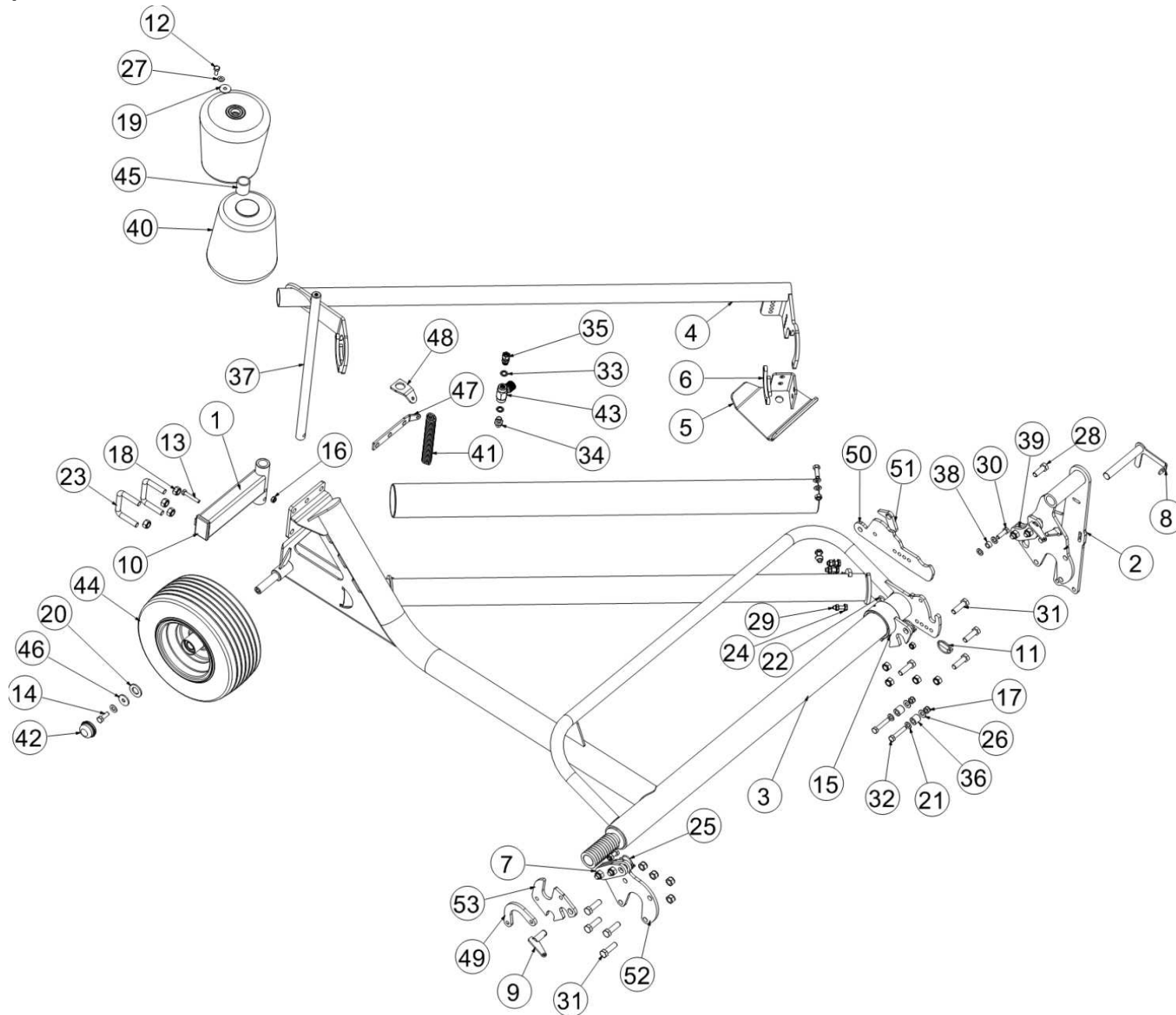
Cut & Hold RH (532)



No.	Part No	Description	Qty
0	ACT00039	CUT & HOLD BALER RHS COMPLETE	1
1	ACT00002	CUT&HOLD SLIDER BARE (ALUM)	1
2	CMH00260	CUT&HOLD RAIL	1
3	CFA00089	SETSCREW M8X45 CSK HEX ZP	5
4	CFA00147	WASHER FLAT 8MM ZP	5
5	CFA00132	NUT M8 NYLOC ZP	5
6	CRA00074	RAM 25X18 CUT&HOLD 998	5
7	CMH00330	WASHER DISHED 998 C&H RAM	4
8	CMH00331	WASHER RUBBER 998 C&H	2
9	CFA00126	NUT M14 NYLOC	1
10	ACT00042	CUT & HOLD FRAME WELD ASY RIGHT	1
11	CMH00262	BEARING HOLDER ECCENTRIC	1
12	CMH00261	BEARING HOLDER CONCENTRIC ZP	2
13	CBR00020	BEARING 6204 2RS	3
14	CFA00139	WASHER FLAT 12MM H/D ZP	6
15	CFA00272	BOLT M12X50 ZP	2
16	CFA00270	SETSCREW M12X50 ZP	1
17	CFA00124	NUT M12 NYLOC	6
18	CFA00012	NUT 1"1/4 NYLOOC UNF	1
19	CFA00126	NUT M14 NYLOC	1
20	ACT00003	CUT&HOLD 998, PLUNGER BRACKET	1
21	CZF02121	6MM L KNIFE PLATE	1
22	CKN00011	KNIFE STANLEY BLADE CUT&HOLD	2
23	CZC02012	3MM L 998/COMBI KNIFE CLAMP	1
24	CFA00144	WASHER FLAT 6MM ZP	4
25	CFA00098	SETSCREW M6X25 ZP	2
26	CFA00131	NUT M6 NYLOC	2
27	CFA00268	WASHER 6MM SHAKEPROOF	2
28	CFA00269	SETSCREW M6X10 ZP	2
29	CSG00036	SPRING COM 4.88X38X150X12	1
30	CMH00023	PIN 25X159 C.PLUNGER C&T	1
31	CZD00118	4MM L CUT& TIE SPACER	2
32	CFA00137	WASHER SPRING 10MM H.D ZP	1
33	CFA00024	SETSCREW M10X25 ZP	1
34	CBE00002	BUFFER RUBBER 50X21 M10X28	1
35	CFA00032	SETSCREW M12X30 ZP	2
36	CHY02008	ADAPTOR 1/2" M 3/8" M	1
37	CHY00053	WASHER DOWTY 112"	2
38	CVA03011	ACCUMULATOR 0.7 LITRE 70 BAR	1
39	CFA00118	GREASE NIPPLE M8X1.25 STRAIGHT	1
40	CFA00222	WASHER FLAT 14MM ZP	1

No.	Part No	Description	Qty
-----	---------	-------------	-----

Side tip (557)



No.	Part No	Description	Qty
1	ABD00030	BOBBIN AXLE BUSH	1
2	ABD00038	LEFT MOUNTING BRACKET	1
3	ABD00041	SIDE TIP BALER WELD	1
4	ABD00047	FUSION 2 SIDETIP BAR	1
5	ABD00048	FUSION 2 SIDETIP GROUND SUPPORT	1
6	ABD00050	LATCH SIDE TIP DROP BAR	2
7	ABD00053	HINGE ASSY SIDETIP FUSION 2	1
INCLUDES ITEMS 9, 14, 17, 18, 31, 39, 49, 52 & 53			
8	ABD00040	LOCK PIN 25X200 SIDETIP FUSION	1
FUSION 1 & 2 ONLY			
8	ABD00066	PIN 25 X 180 SIDE TIP FUSION 3	1
FUSION 3 ONLY			
9	ALA00335	PIN ASSY 20MM SIDETIP FUSION 2	1
10	CBC00021	CAP SQ PLASTIC INSERT 80 X 50	1
11	CFA00005	LINCH PIN 10MM	1
12	CFA00024	SETSCREW M10X25 Z/P	1
13	CFA00026	BOLT M10X60	1
14	CFA00033	SETSCREW M12X35 Z/P	7
15	CFA00118	GREASE NIPPLE M8X1.25 STRAIGHT	1
16	CFA00123	NUT M10 NYLOC	5
17	CFA00124	NUT M12 NYLOC	10
18	CFA00128	NUT M16 NYLOC	15
19	CFA00134	WASHER MUDWING M10X38MM OD	1
20	CFA00135	WASHER FLAT 1" Z/P	1
21	CFA00138	WASHER FLAT 12MM Z/P	12
22	CFA00140	WASHER FLAT 16MM Z/P	1
23	CFA00200	U BOLT M16X80X50 Z/P	2
24	CFA00201	WASHER FLAT 10 MM Z/P	4
25	CFA00202	LINCH PIN 6MM	2
26	CFA00250	WASHER SKM12	3
27	CFA00251	WASHER SKM10	1
28	CFA00282	BOLT M16X45	1
29	CFA00312	SETSCREW M10X40 Z/P	4
30	CFA00324	SETSCREW M12X40 Z/P	2
31	CFA00349	SETSCREW M16X55 Z/P	10
32	CFA00579	BOLT M12X65 ZP	2
33	CHY00020	WASHER DOWTY 3/8"	2
34	CHY02002	ADAPTOR 3/8" BSP M/M	1
35	CHY02098	ADAPTOR 3/8" BSP M-F	1
36	CMH00745	BUSH 12X25X25	2
37	CMH00874	SHAFT 30 X 660	1
38	CMH00968	BUSH 19X12.5X11	1
39	CMH01188	BUSH 16X30X11	2
40	CPL00008	BOBBIN ASSEMBLY	2
41	CSG00207	SPRING FUSION 2 SIDETIP	1
42	CTP00070	DUST CAP 170/60-8 VREDESTEIN	1
43	CVA00276	VALVE NEEDLE 3/8	1
44	CWH00037	WHEEL 170/60-8 V64+ 6PLY PICK-UP	1
45	CXT00424	C042.4X4X45	1

No.	Part No	Description	Qty
46	CZD04329	4MM L WASHER 12.5X40X4	1
47	CZF04875	6MM L FUSION 2 SIDETIP BRACKET	1
48	CZF04876	6MM L FUSION 2 SIDETIP BRACKET	1
49	CZH02668	10MM L FUSION SIDE TIP	1
50	CZH03157	10MM L FUSION SIDETI	1
51	CZH03164	10MM L FUSION SIDETIP	1
52	CZH03485	10MM BALER SIDE TIP BRACKET	1
53	CZH03486	10MM BALER SIDE TIP BRACKET	1

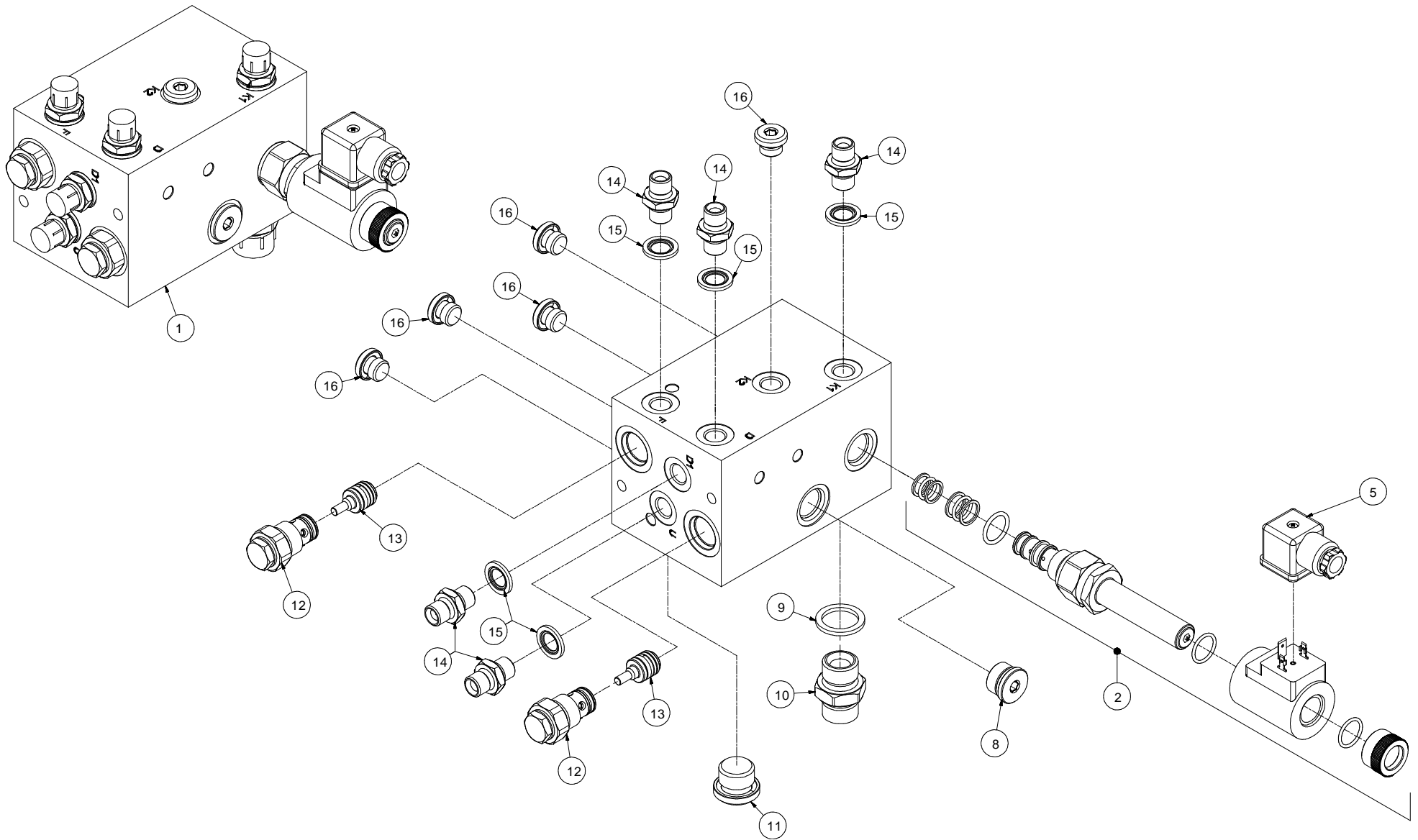
No.	Part No	Description	Qty
1	CEL00008	SWITCH PRESSURE 2000PS	1
2	CEL00304	PRESSURE TRANSMITTER 0-250BAR	1
3	CHY02015	QR 1/2" MALE SHIELDED POPPET	2
4	CHY02040	QR 3/8" MALE	1
5	CHY02315	3/4" MALE QUICK RELEASE	1
6	CMT00056	MOTOR 80CC WHEEL TAPER SHAFT	2
7	CMT00064	MOTOR 625CC SIDE PORT 32SHAFT	2
8	CRA00074	RAM CUT&HOLD 25X18 998/FUSION	2
9	CRA00185	RAM KNIFE ACTUATION BW	2
10	CRA00186	RAM PICKUP BALER	2
11	CRA00193	RAM CHOPPER FLOOR 20X40 BW	2
12	CRA00264	RAM 45X35X743 TOP DOOR FUSION	2
13	CRA00558	RAM 50X30 ROLLER CRADLE FUSION	2
14	CRA00637	RAM 45X20 SELECT KNIFE	2
<i>SELECTABLE KNIVES OPTION ONLY</i>			
15	CVA00098	VALVE NON RET 3/8" 0.5 BAR	2
<i>CAN BE REPLACED WITH CVA00380 TO RESOLVE OVERCHARGING OF CUT & HOLD ACCUMULATOR</i>			
16	CVA00151	ACCUMULATOR 0.075 L 50 BAR	1
17	CVA00157	VALVE ASY ROTATION & TIP BALER	1
18	CVA00165	ACCUMULATOR 0.5 LITRE 25 BAR	1
19	CVA00239	VALVE ASY BALER DOOR 2004+ MOD	1
20	CVA00261	VALVE CHECK 3/4 0.5 BAR M/F	1
21	CVA00277	VALVE CHECK 1.5 ORIFICE 1/4"	1
22	CVA00299	VALVE CTL 5BANK FUSION2 DPC130	1
23	CVA00337	ACCUMULATOR 0.075L 150 BAR	1
24	CVA00345	VALVE SEL KNIFE OPTION CTRL	1
<i>SELECTABLE KNIVES OPTION ONLY</i>			
25	CVA00351	VALVE KNIFE/FLOOR CTRL FUSION2	1
26	CVA00571	VALVE ON/OFF DN 06 BKH-G 1/4"	1
27	CVA03009	VALVE DUMP 60BAR	1
28	CVA03011	ACCUMULATOR 0.7 LITRE 70 BAR	2
29	CVA00613	VALVE 3/8 C/W HANDLE LOCK & HOLES	1
30	CHY00726	HA04-1360WJ-F0400N-F0490N-000	1
31	CHY00729	HA04-1025WJ-F0490N-F0490N-315	2
32	CHY00731	HA04-0500WJ-F0400N-F0400N-000	2
33	CHY00734	HA04-1050WJ-F0400N-F0490N-000	1
34	CHY00735	HA04-1105WJ-F0400N-F0490N-000	1
35	CHY00737	HA08-0590WJ-F0800N-F0800N-000	1
36	CHY00738	HA08-0440WJ-F0800N-F0800N-000	1
37	CHY00739	HA08-0480WJ-F0800N-F0800N-000	1
38	CHY00740	HA08-1320WJ-F0800N-F0845N-000	1
39	CHY00758	HA04 4940WJ-F0400N-B0400N-000	1
40	CHY00777	HA04 4485WJ-F0400N-F0400N-000	1
41	CHY02743	HA04-0430WJ-F0400N-F0400N-000	1
42	CHY02744	HA04-4950WJ-F0400N-F0400N-000	1
43	CHY02745	HA04-0450WJ-F0400N-F0490N-000	1
44	CHY02746	HA04-0580WJ-F0400N-F0400N-000	1
45	CHY02748	HA08-0520WJ-F0800N-F0800N-000	2
46	CHY02749	HA08-0470WJ-F0800N-F0800N-000	1

No.	Part No	Description	Qty
47	CHY02750	HA08-0430WJ-F0800N-F0800N-000	1
48	CHY02752	HA06-0415WJ-F0600N-F0600N-000	1
49	CHY02753	HA06-0300WJ-F0600N-F0690N-000	1
50	CHY02754	HA06-0430WJ-F0600N-F0690N-000	1
51	CHY02755	HA06-0290WJ-F0600N-F0600N-000	1
52	CHY02756	HA06-4660WJ-F0600N-F0600N-000	1
53	CHY02757	HA06-0420WJ-F0600N-F0600N-000	2
54	CHY02758	HA06-0940WJ-F0600N-F0690N-000	1
55	CHY02759	HA06-4540WJ-F0600N-F0690N-000	1
56	CHY02760	HA06-0980WJ-F0600N-F0600N-000	1
57	CHY02761	HA04-2350WJ-F0490B-F0490B-000	1
58	CHY02762	HA04-4070WJ-F0490N-F0490N-000	1
60	CHY02764	HA06-4580WJ-F0600N-F0600N-000 LH	1
61	CHY02765	HA06-2540WJ-F0800N-F0690N-000 LH	1
62	CHY02766	HA06-1410WJ-F0600N-F0600N-000 RH	1
63	CHY02767	HA06-3140WJ-F0800N-F0690N-000 RH	1
64	CHY02768	HA08-0960WJ-F0890N-F0890N-180	1
65	CHY02769	HA08-2570WJ-F0690N-F0890N-000	1
66	CHY02770	HA06-0270WJ-F0690N-F0690N-090	1
67	CHY02771	HA04-1050WJ-F0490N-F0490N-000	1
68	CHY02772	HA06-0470WJ-F0600N-F0690N-000	2
69	CHY02773	HA04-0680WJ-F0400N-F0400N-000	1
70	CHY02774	HA04-0670WJ-F0400N-F0400N-000	1
71	CHY02775	HA08-0690WJ-F0800N-F0890N-000	1
72	CHY02776	HA08-0640WJ-F0800N-F0890N-000	1
73	CHY02777	HA06-0710WJ-F0600N-F0690N-000	1
74	CHY02778	HA06-0650WJ-F0600N-F0690N-000	1
75	CHY02779	HA06-0650WJ-F0600N-F0600N-000	1
76	CHY02780	HA04-0770WJ-F0400N-F0490N-000	1
77	CHY02781	HA04-0790WJ-F0400N-F0490N-000	1
78	CHY02782	HA04-0740WJ-F0400N-F0490N-000	1
79	CHY02783	HA12-4250WJ-F1200N-F1290P-000	1
80	CHY02796	HA04-0570WJ-F0400N-F0490N-000	1
81	CHY02806	HA04-0650WJ-F0400N-F0490N-000	1
82	CHY02876	HA04-0550WJ-F0400N-F0490N-000	1
83	CHY02877	HA10 4410WJ-F1200N-F1000N-000	1

No.	Part No	Description	Qty
0	CVA00299	VALVE CTL 5BANK FUSION2 DPC130	1
1	CSE00120	SEAL O-RING LEVER BOX DPC130	5
2	CVA00114	VALVE ASSY BALER DOOR	1
3	CVA00120	SPOOL BALE LIFT DPC130 998	1
4	CVA00122	SOLENOID DPC130	5
5	CVA00138	PLUG OPEN/CLOSED DSK DPC130	1
6	CVA00176	PLUG BSP 1/4"	3
7	CVA00177	FLOW LIMITER DPC130	5
8	CVA00179	VALVE SECTION DPC130 C10	5
9	CVA00182	INLET SECTION	1
10	CVA00183	TAP M14 X 1.5	1
11	CVA00185	INLET COMPENSATION VALVE	1
12	CVA00186	SECTION COMPENSATOR DPC130	5
13	CVA00187	SEAL KIT DPC130 "O" RINGS	6
14	CVA00191	VALVE DPC130 (180-350BAR)	1
15	CVA00192	FILTER LOAD SENSING DPC130	1
16	CVA00193	VALVE PRES REDUCING DPC130	1
17	CVA00194	O-RING SEAL 5 X 1.2MM PARKER	5
18	CVA00195	O-RING SEAL 21.95MM X 1.78MM	5
19	CVA00196	CONTROL MODULE DPC130	5
20	CVA00197	SOC CAP M5 X 55MM	10
21	CVA00198	WASHER ELASTIC M5	10
22	CVA00199	O-RING SEAL 11.11MM X 1.78MM	10
23	CVA00200	PRESSURE REDUCER DPC130	10
24	CVA00201	SOC CAP M6 X 55MM	20
25	CVA00203	JOINT DPC130	1
26	CVA00204	OPEN BUSHING DPC130	10
27	CVA00205	SPRING DPC130	5
28	CVA00206	RING 11.2 X 23 X 3MM	5
29	CVA00207	PLUG DPC130	1
30	CVA00254	SPOOL CUT & HOLD FUSION	1
31	CVA00255	TIE ROD KIT VALVE CHEST FUSION	1
32	CVA00257	SPOOL CRADLE TIP FUSION	1
33	CVA00319	SPOOL FUSION & FUSION2 ROTATION	1
34	CVA06011	SENSING LINE SHUTTLE ALL DPC	5
34	CSE00138	SEAL KIT DPC130 SHUTTLE VALVE	1
<i>SEAL KIT FOR SHUTTLE VALVE CVA06011</i>			
35	CVA10024	CARTRIDGE	1
36	CVA10025	VALVE SECTION	1
37	CVA00103	LEVER PIVOT BOX	5
38	CVA10027	SOLENOID ASSY	5
40	CHY02008	ADAPTOR 1/2" M 3/8" M	8
<i>PORTS A1, A2, A4, A5, B1, B2, B4 & B5</i>			
40a	CHY00053	WASHER DOWTY 1/2"	10
<i>PORTS A1 TO A5 & B1 TO B5</i>			
41	CHY02013	ADAPTOR 1/2" BSP M/M	2
<i>PORTS A3 & B3</i>			
42	CHY02263	ADAPTOR 3/8"M / 3/4"M	2
<i>PORTS P1 & T1</i>			

No.	Part No	Description	Qty
42a	CHY02012	WASHER DOWTY 3/4"	2
<i>PORTS P1 & T1</i>			

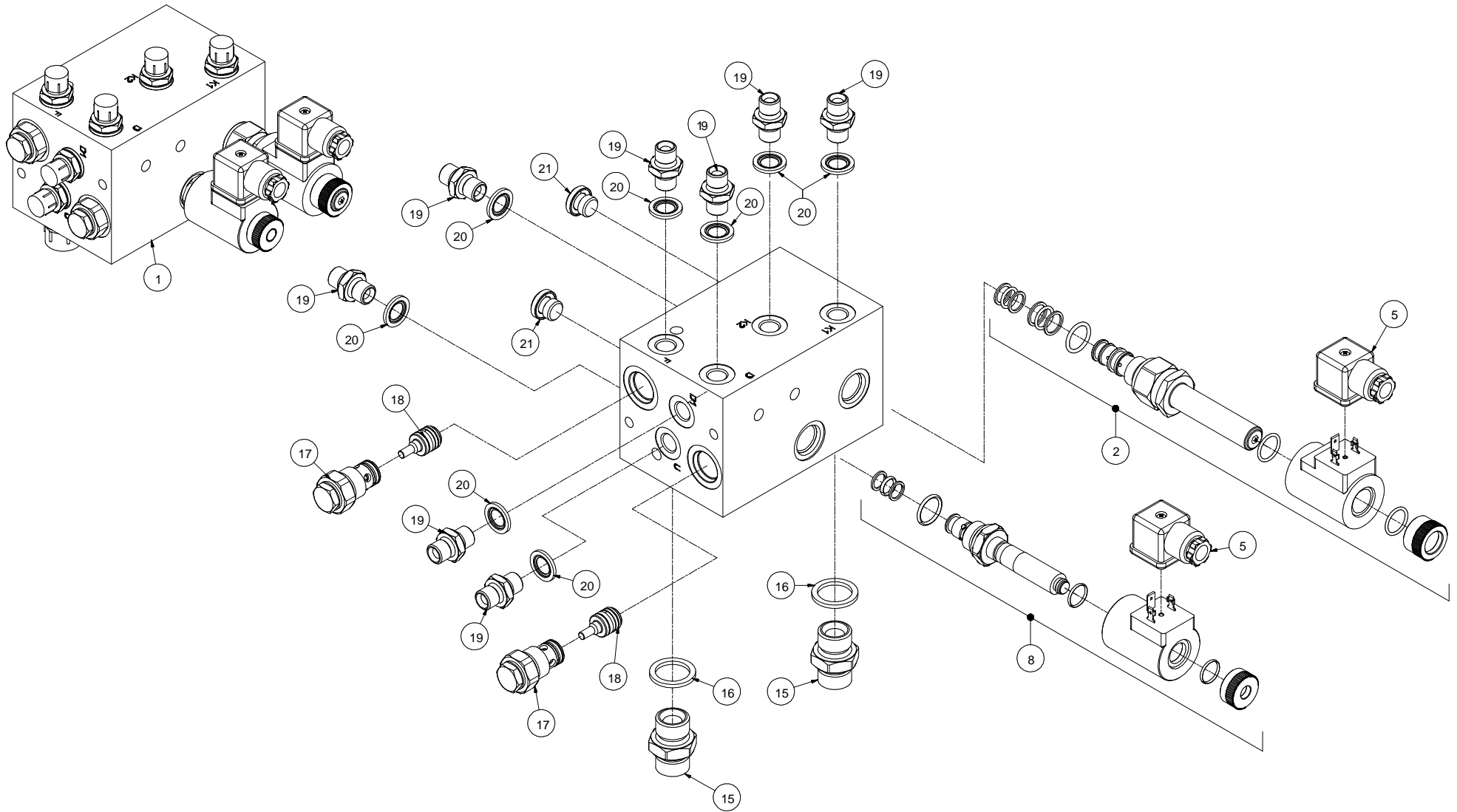
Hyd valve knives & floor CVA00351 [On Fusion from S-No 654556 & F560 from S-No 705595] (702)



No.	Part No	Description	Qty
1	CVA00351	VALVE KNIFE/FLOOR CTRL FUSION2	1
2	CVA00580	VALVE DBL BLOCK 2-POS 3-WAY NC	1
<i>DOES NOT INCLUDE ITEM 5</i>			
5	CEL00605	SOLENOID CONNECTOR 3-WAY EARTH	1
<i>SOLD SEPARATELY</i>			
8	CVA00557	BLANKING CAP SAE08 OPEN	1
9	CHY00053	WASHER DOWTY 1/2"	1
10	CHY02013	ADAPTOR 1/2" BSP M/M	1
11	CVA00304	BSP 1/2 PLUG	1
12	CVA00243	CHECK VALVE CARTRIDGE FOR TIP	2
13	CVA00582	PISTON	2
14	CHY02010	ADAPTOR 1/4" BSP M/M	5
15	CHY00015	WASHER DOWTY 1/4"	5
16	CVA00176	PLUG BSP 1/4 ALLEN HD SEAL	5

No.	Part No	Description	Qty
-----	---------	-------------	-----

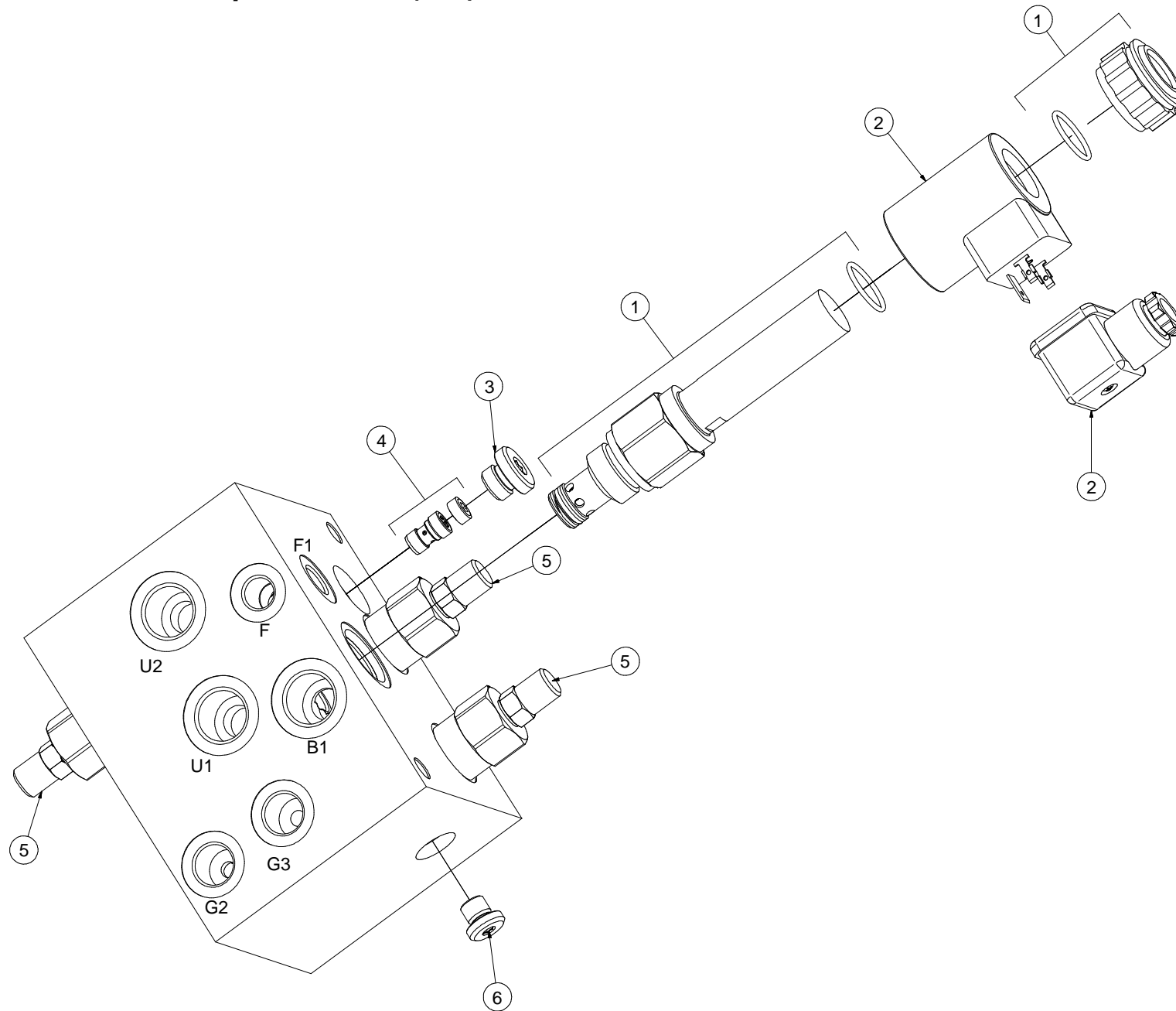
Hydraulic valve knives & floor [Selectable] CVA00345 (701)



No.	Part No	Description	Qty
1	CVA00345	VALVE 2 KNIFE OPTION CTRL	1
2	CVA00580	VALVE DBL BLOCK 2-POS 3-WAY NC	1
<i>DOES NOT INCLUDE ITEM 5</i>			
5	CEL00605	SOLENOID CONNECTOR 3-WAY EARTH	2
<i>SOLD SEPARATELY</i>			
8	CVA00338	VALVE CTE DOUBLE CHECK NC	1
<i>DOES NOT INCLUDE ITEM 5</i>			
15	CHY02013	ADAPTOR 1/2" BSP M/M	2
16	CHY00053	WASHER DOWTY 1/2"	2
17	CVA00243	CHECK VALVE CARTRIDGE FOR TIP	2
18	CVA00582	PISTON	2
19	CHY02010	ADAPTOR 1/4" BSP M/M	8
20	CHY00015	WASHER DOWTY 1/4"	8
21	CHY02554	1/4" BLANKING CAP	2

No.	Part No	Description	Qty
-----	---------	-------------	-----

Hydraulic valve rotation & tip CVA00157 (543)



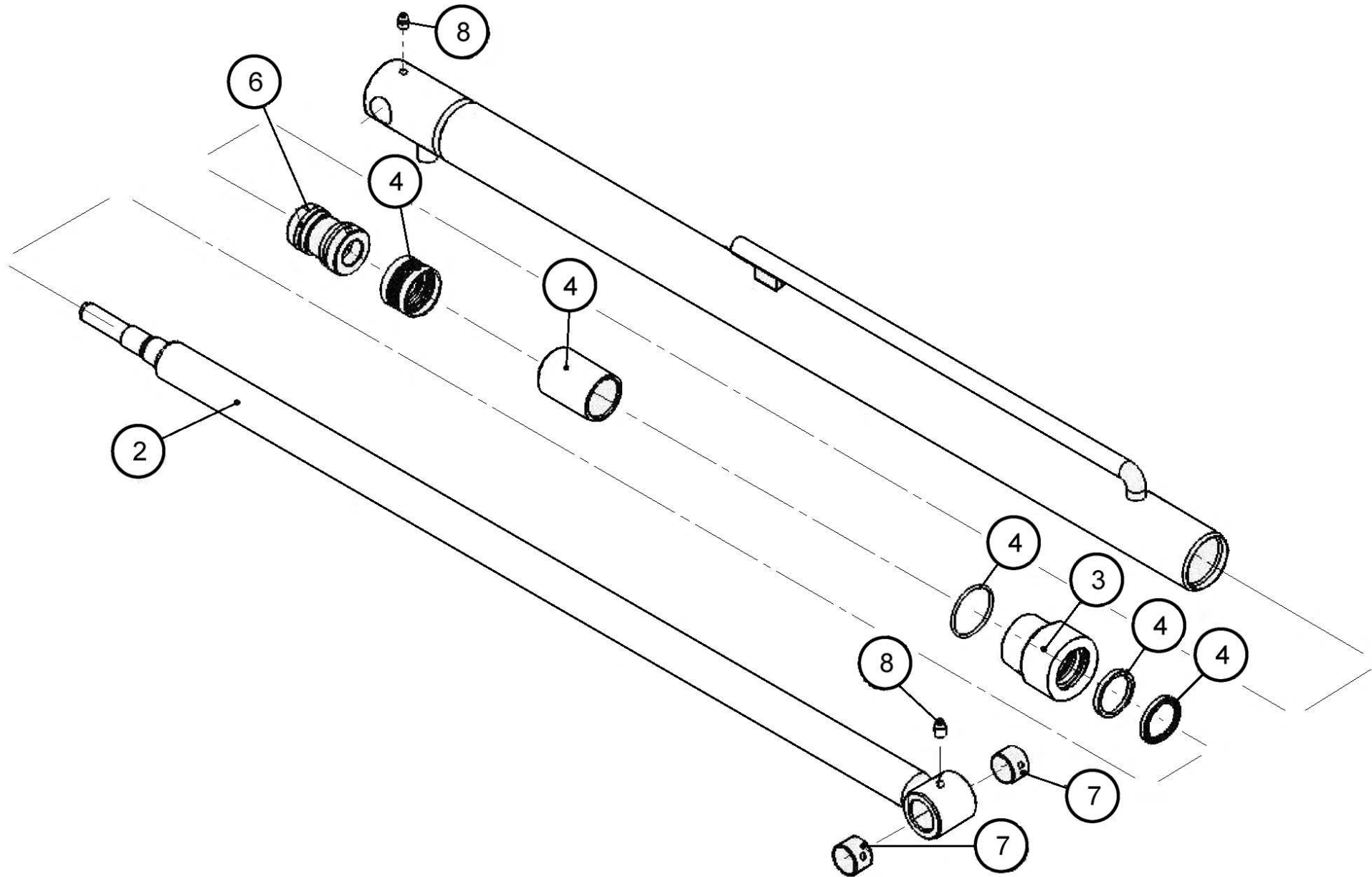
No.	Part No	Description	Qty
0	CVA00157	VALVE COMPLETE ROTATION & TIP BALER	1
1	CVA00252	CARTRIDGE VALVE ON/OFF	1
2	CVA00253	COILS FOR CARTRIDGE VALVE	1
<i>INCLUDES ELECTRICAL CONNECTOR</i>			
3	CVA00176	PLUG BSP 1/4 ALLEN HD +SEAL	1
4	CVA00558	SHUTTLE VALVE ASSY	3
5	CVA00559	OVER CENTRE VALVE ASSY	3
6	CVA00553	BLANKING CAP 1/8	1
8	CHY02010	ADAPTOR 1/4" BSP M/M	3
<i>PORTS E3, F & G3</i>			
8a	CHY00015	WASHER DOWTY 1/4"	4
<i>PORTS E3, F, F1 & G3</i>			
9	CHY02002	ADAPTOR 3/8" BSP M/M	4
<i>PORTS E1, E2, G1 & G2</i>			
9a	CHY00020	WASHER DOWTY 3/8"	4
<i>PORTS E1, E2, G1 & G2</i>			
10	CHY02008	ADAPTOR 1/2" M 3/8" M	1
<i>PORT B1</i>			
11	CHY02013	ADAPTOR 1/2" BSP M/M	4
<i>PORTS D1, D2, U1 & U2</i>			
11a	CHY00053	WASHER DOWTY 1/2"	5
<i>PORTS B1, D1, D2, U1 & U2</i>			
12	CVA00160	HOSE KIT VALVE FUSION	1
<i>PORT F</i>			

No.	Part No	Description	Qty
-----	---------	-------------	-----

No.	Part No	Description	Qty
1	CVA00317	VALVE PROP RELIF 175BAR CTE <i>USED ON F560/F5600 ONLY - THIS IS NOT PART OF ITEM 5 & MUST BE ORDERED SEPARATELY</i>	1
2	REP00063	REPAIR KIT FOR DOOR VALVE F560/F5600 <i>USED ON F560/F5600 ONLY - RESOLVES HYDRAULIC CREEP IN BACK DOOR ON F560/F5600</i>	1
3	CVA00151	ACCUMULATOR 0.075 L 50 BAR <i>USED ON FUSION & F56 SERIES MACHINES ONLY - MUST BE ORDERED SEPARATELY</i>	1
3	CVA00379	ACCUMULATOR 0.16L 75 BAR <i>USED ON FUSION 3 PLUS NRF MACHINES ONLY - MUST BE ORDERED SEPARATELY</i>	1
5	CVA00239	VALVE ASY BALER DOOR 2004+ MODEL <i>INCLUDES ITEMS 6 THROUGH 19 [DOES NOT INCLUDE ITEMS 1 TO 3]</i>	1
6	CVA00560	RELIEF VALVE ASSY	1
7	CSE00615	SEAL KIT FIXED RELIEF CVA00560	1
8	CVA00251	VALVE RELIEF CTE FOR CVA00239	1
9	CSE20031	SEAL KIT BALE DENSITY VALVE KNOB <i>REPLACES CSE00616</i>	1
10	CVA00562	PISTON	1
11	CVA00269	CHECK VALVE CARTRIDGE	1
12	CSE00618	SEAL KIT CHECK VALVE CVA00269	1
13	CVA00561	BLANKING CAP 3/8" (OLEOSTAR)	1
14	CHY02010	ADAPTOR 1/4" BSP M/M	2
15	CHY02002	ADAPTOR 3/8" BSP M/M	2
16	CHY02008	ADAPTOR 1/2" M 3/8" M	2
17	CHY00015	WASHER DOWTY 1/4"	2
18	CHY00020	WASHER DOWTY 3/8"	3
19	CHY00053	WASHER DOWTY 1/2"	3

No.	Part No	Description	Qty
-----	---------	-------------	-----

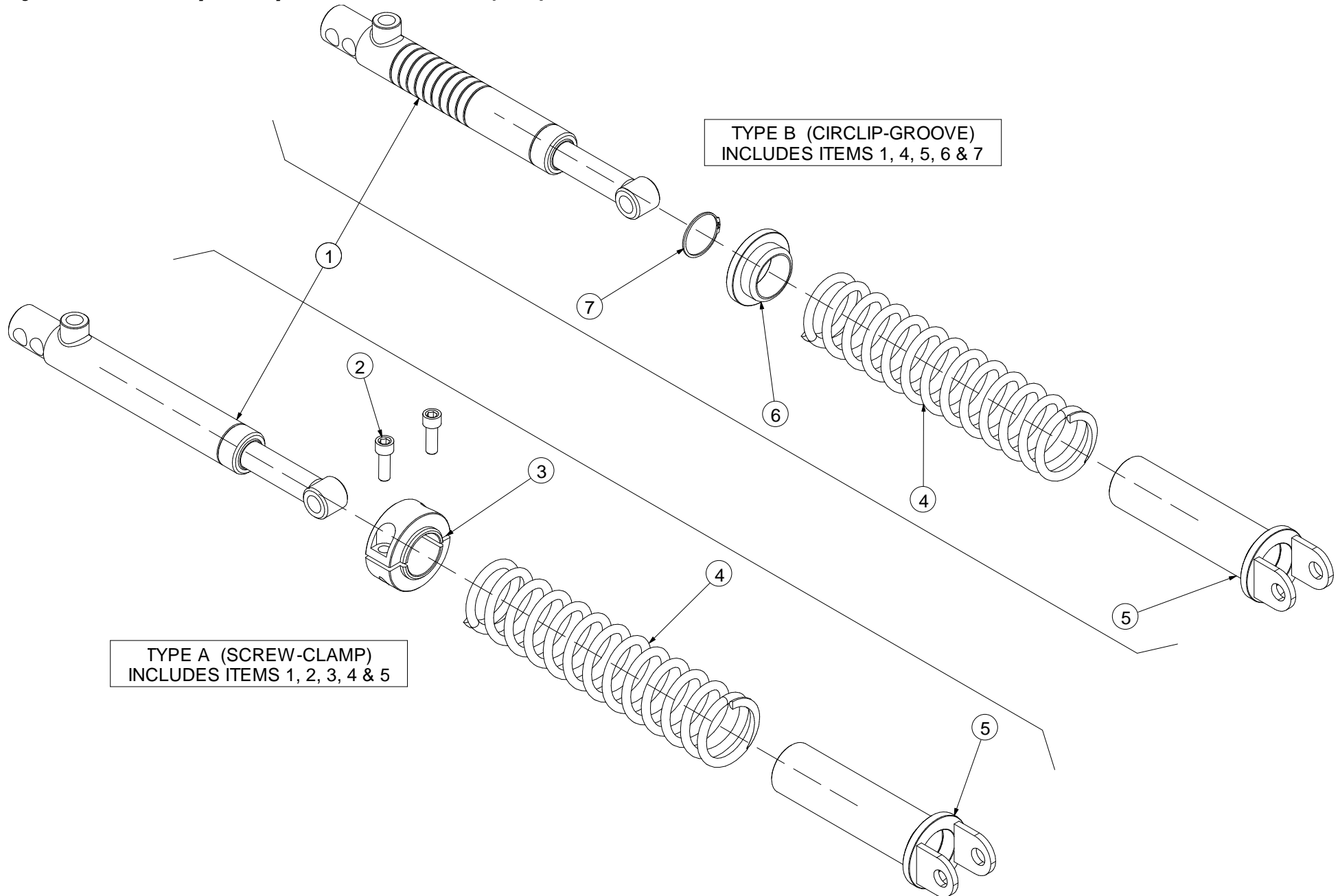
Hydraulic rams chamber door (546)



No.	Part No	Description	Qty
0	CRA00263	HYDRAULIC RAM COMPLETE ASSEMBLY	2
<i>UP TO SERIAL NO. 653028</i>			
0	CRA00264	HYDRAULIC RAM COMPLETE ASSEMBLY	2
<i>FROM SERIAL NO. 653029</i>			
2	N/A	RAM ROD	1
<i>UP TO SERIAL NO. 653028</i>			
2	CRA00008	RAM ROD FOR CRA00264	1
<i>FROM SERIAL NO. 653029</i>			
3	CRA00009	SEAL GLAND	1
4	CSE00151	CUSHIONS & SEAL KITS FOR BOTH RAMS	1
<i>THIS KIT MUST BE USED TO REPAIR BOTH DOOR RAMS.</i>			
6	CRA00013	SEAL GLAND	1
7	CBR00040	BEARING GLACIER PM 2520 DX	2
8	CFA00590	GREASE NIPPLE 1/8" BSP ST	2

No.	Part No	Description	Qty
-----	---------	-------------	-----

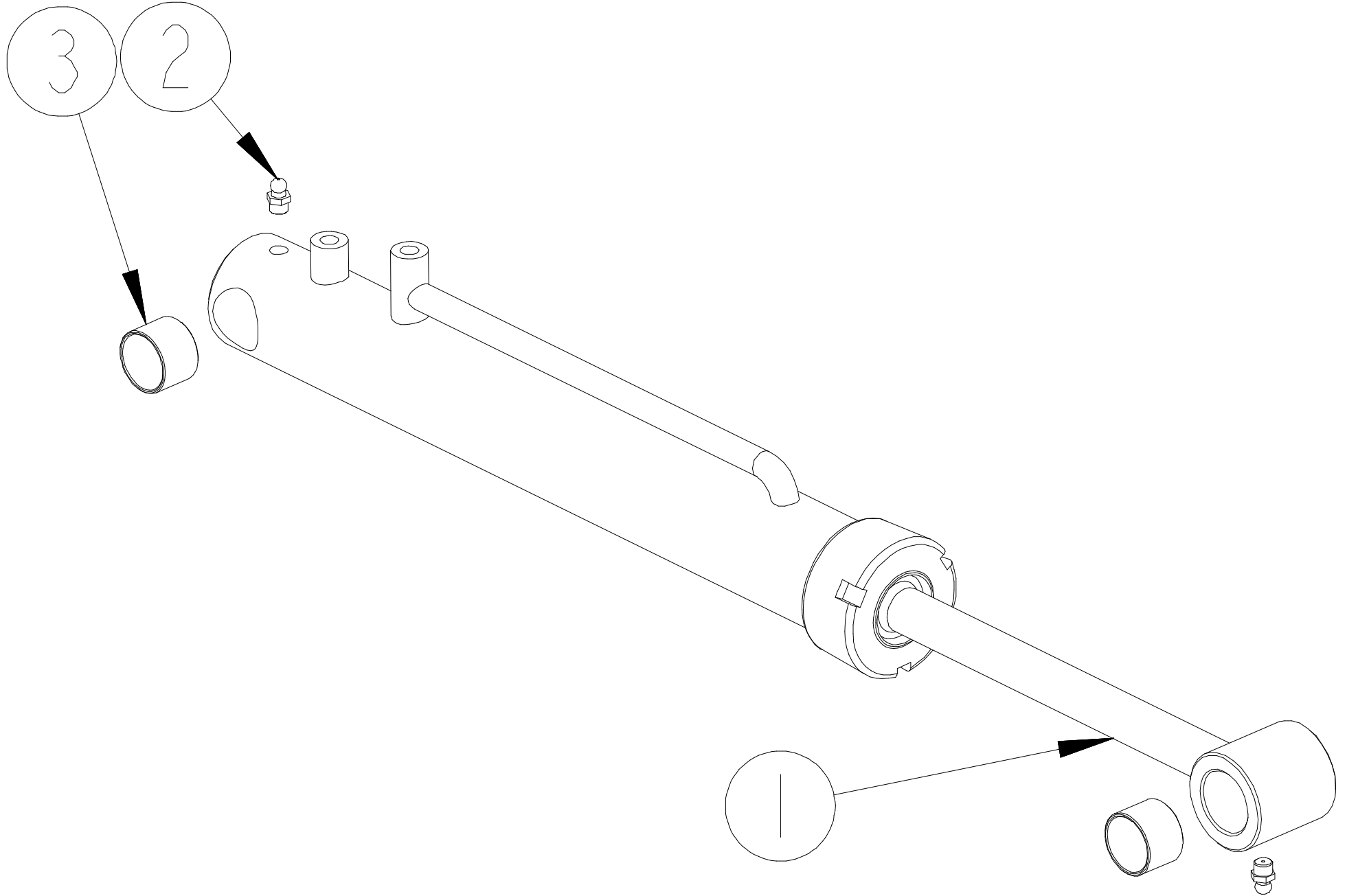
Hydraulic rams pick-up reel CRA00186 (182)



No.	Part No	Description	Qty
1	CRA00186	RAM PICKUP BALER	1
<i>COMPLETE RAM ASSEMBLY (MAY BE TYPE A OR TYPE B)</i>			
2	CFA00602	SETSCREW M10X30 SOC CAP Z/P	2
<i>RAM TYPE A ONLY</i>			
3	ACH00405	SPRING RETAINER RAM PICKUP	1
<i>RAM TYPE A ONLY</i>			
4	CSG00037	SPRING COMP 8X67X300X14	1
5	ACH00404	SPRING RETAINER PICKUP	1
6	CPT00073	SPRING RETAINER FOR CRA00186	1
<i>RAM TYPE B ONLY</i>			
7	CFA00551	CIRCLIP 40MM EXTERNAL	1
<i>RAM TYPE B ONLY</i>			

No.	Part No	Description	Qty
-----	---------	-------------	-----

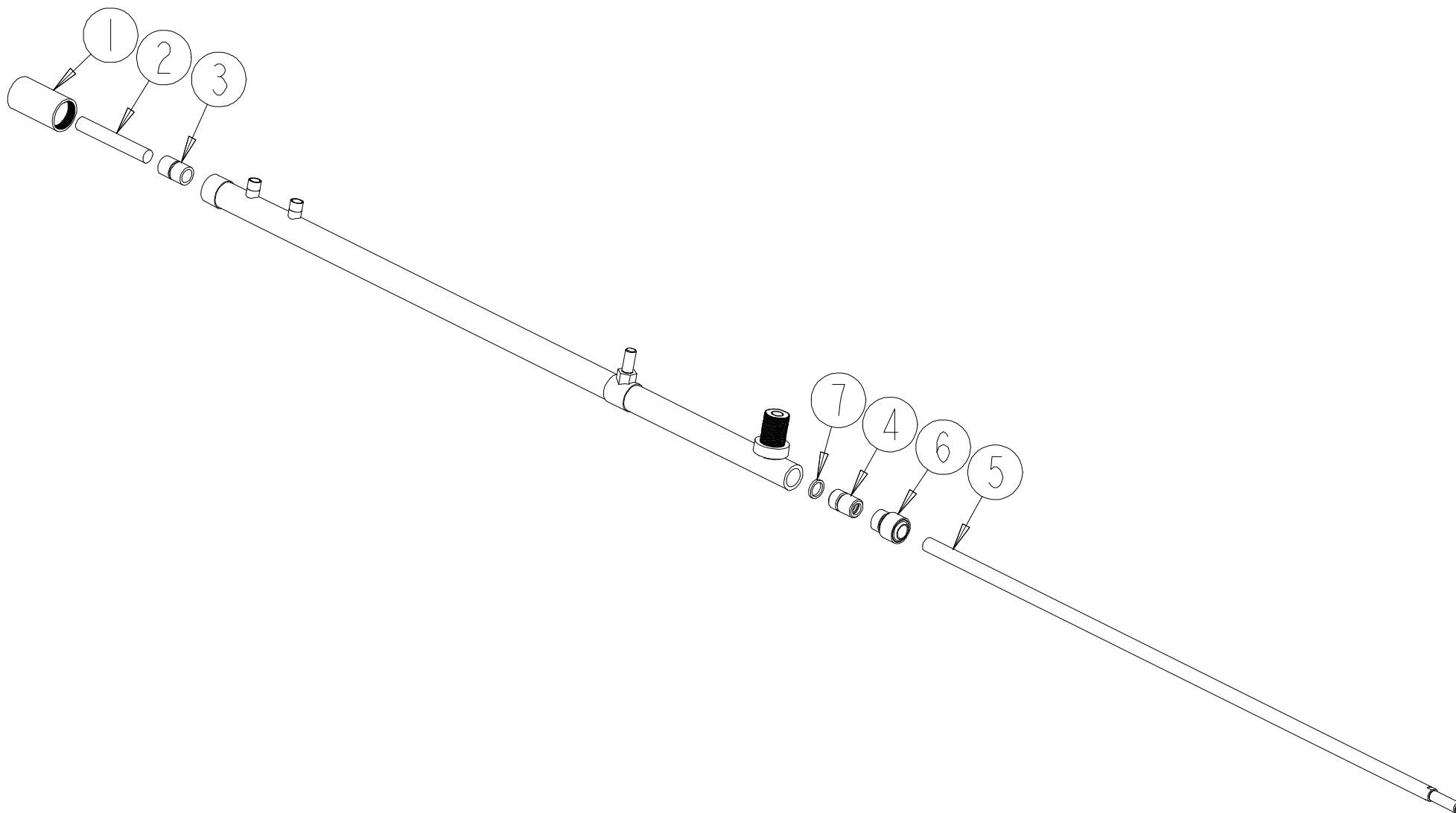
Hydraulic rams drop floor CRA00193 (184)



No.	Part No	Description	Qty
1	CRA00193	RAM CHOPPER FLOOR 20X40 BW	2
2	CFA00118	GREASE NIPPLE M8X1.25 STRAIGHT	2
3	CBR00101	BEARING GLACIER PM 2525 DX	4

No.	Part No	Description	Qty
-----	---------	-------------	-----

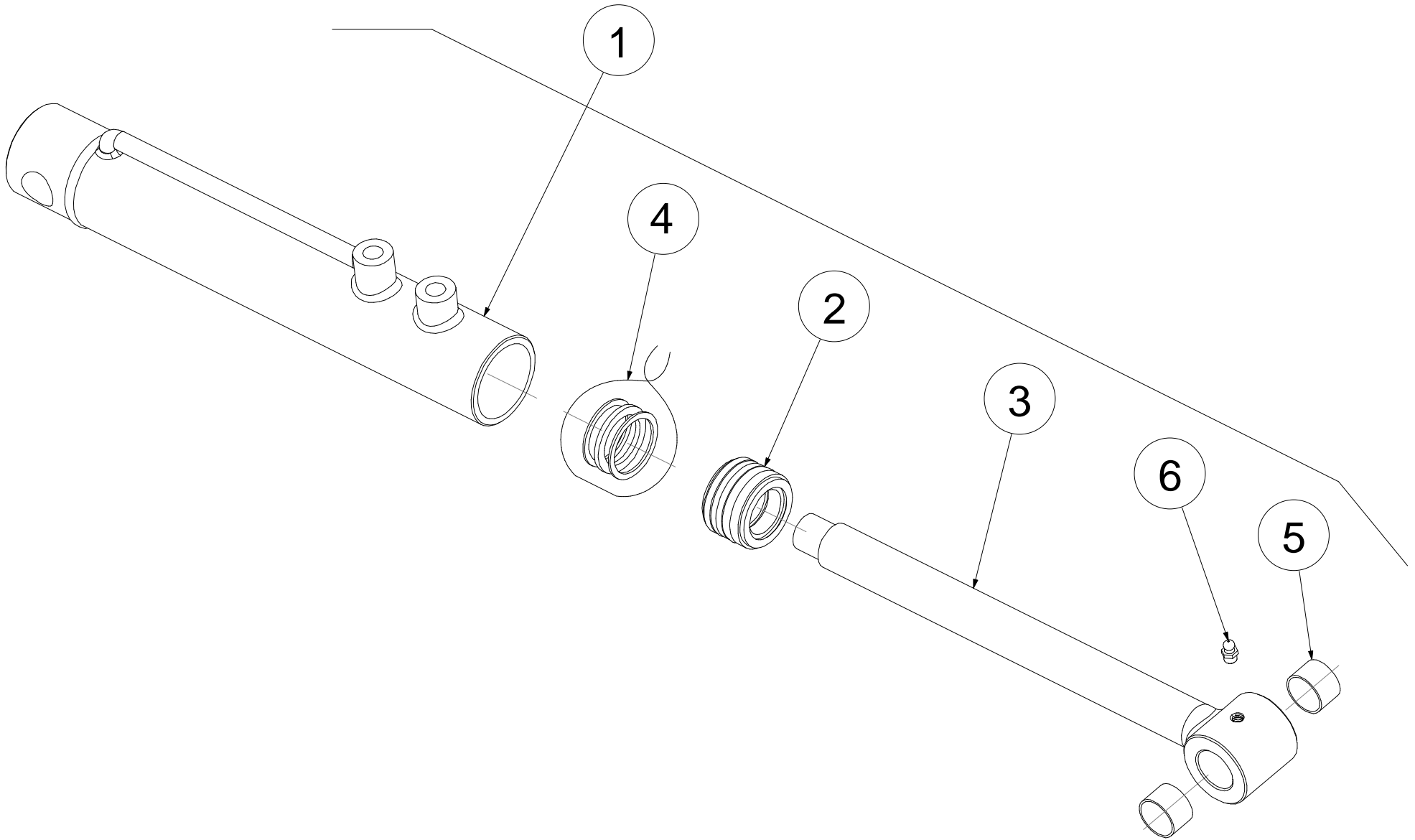
Hydraulic rams cut & hold CRA00074 (549)



No.	Part No	Description	Qty
0	CRA00074	RAM CUT & HOLD COMPLETE	2
1	CRA00106	GLAND FOR CRA00074 BOTTOM	1
2	CRA00104	RAM ROD BOTTOM FOR CRA00074	1
3	CRA00102	RAM PISTON FOR CRA00074 BOTTOM	1
4	CRA00101	RAM PISTON FOR CRA00074 TOP	1
5	CRA00103	RAM ROD TOP FOR CRA00074	1
6	CRA00105	SEAL GLAND TOP FOR CRA00115	1
7	CSE00074	SEAL KIT RAM CUT&HOLD	1

No.	Part No	Description	Qty
-----	---------	-------------	-----

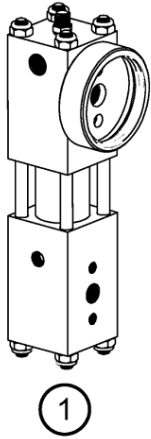
Hydraulic rams bale cradle CRA00558 (551)



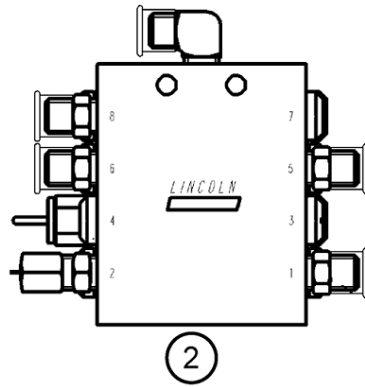
No.	Part No	Description	Qty
1	CRA00558	RAM 50X30 ROLLER CRADLE FUSION	1
<i>COMPLETE ASM (INCLUDES ITEMS 2, 3, 4, 5 & 6)</i>			
2	CRA00585	CRADLE RAM CAP FUSION 2	1
3	CRA00586	CRADLE RAM ROD FUSION 2	1
4	CSE00623	SEAL KIT FOR RAM CRA00558	1
<i>INCLUDES INSTRUCTIONS</i>			
5	CBR00040	BEARING GLACIER PM 2520 DX	2
6	CFA00118	GREASE NIPPLE M8X1.25 STRAIGHT	1

No.	Part No	Description	Qty
-----	---------	-------------	-----

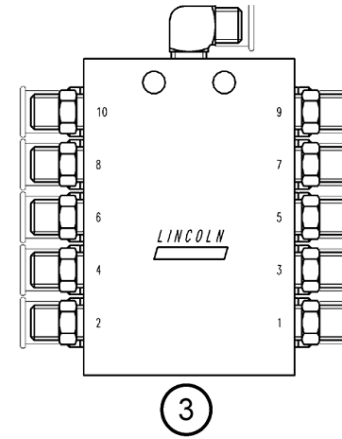
Oil & Grease systems 1 (552)



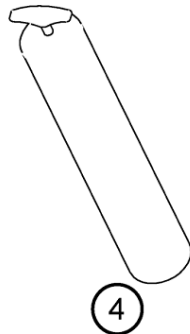
1



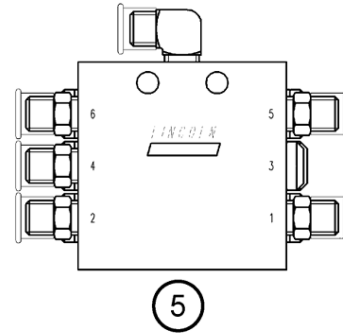
2



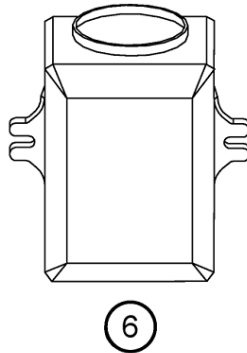
3



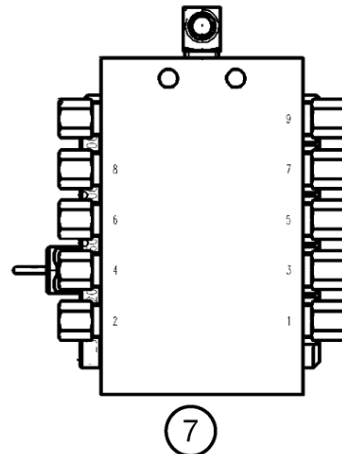
4



5



6



7

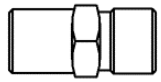


8

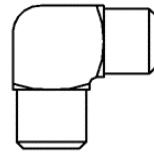
No.	Part No	Description	Qty
1	CVA00384	PUMP OIL/GREASE ALL FUSION <i>ROUND OIL/GREASE PUMP (REPLACES CVA00145 SQUARE OIL/GREASE PUMP SHOWN)</i>	1
2	CVA00167	8-WAY MASTER GREASE BLOCK	1
3	CVA00166	10-WAY GREASE BLOCK	3
4	CVA00184	GREASE CARTRIDGE	1
5	CVA00169	6-WAY GREASE BLOCK	2
6	CHY00212	OIL RESERVOIR	1
7	CVA00323	10-WAY MASTER OIL BLOCK	1
8	CHY01061	OIL WICK KIT FULL BALER RANGE <i>CONTAINS 4 SEPARATE WICKS FOR ANY MCHALE BALER MODEL (REPLACES CHY00609 SINGLE WICK)</i>	1

No.	Part No	Description	Qty
-----	---------	-------------	-----

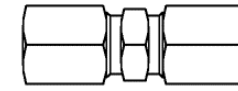
Oil & Grease fittings (553)



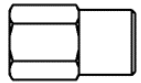
12



13



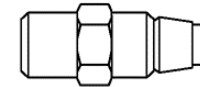
14



15



16



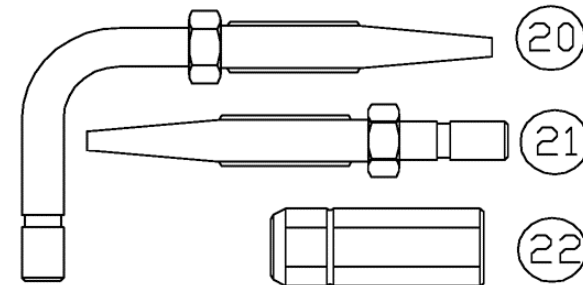
17



18



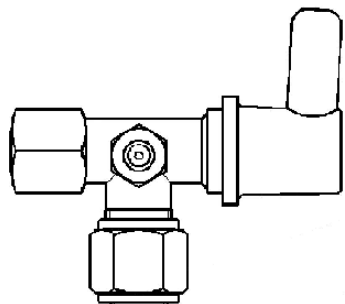
19



20

21

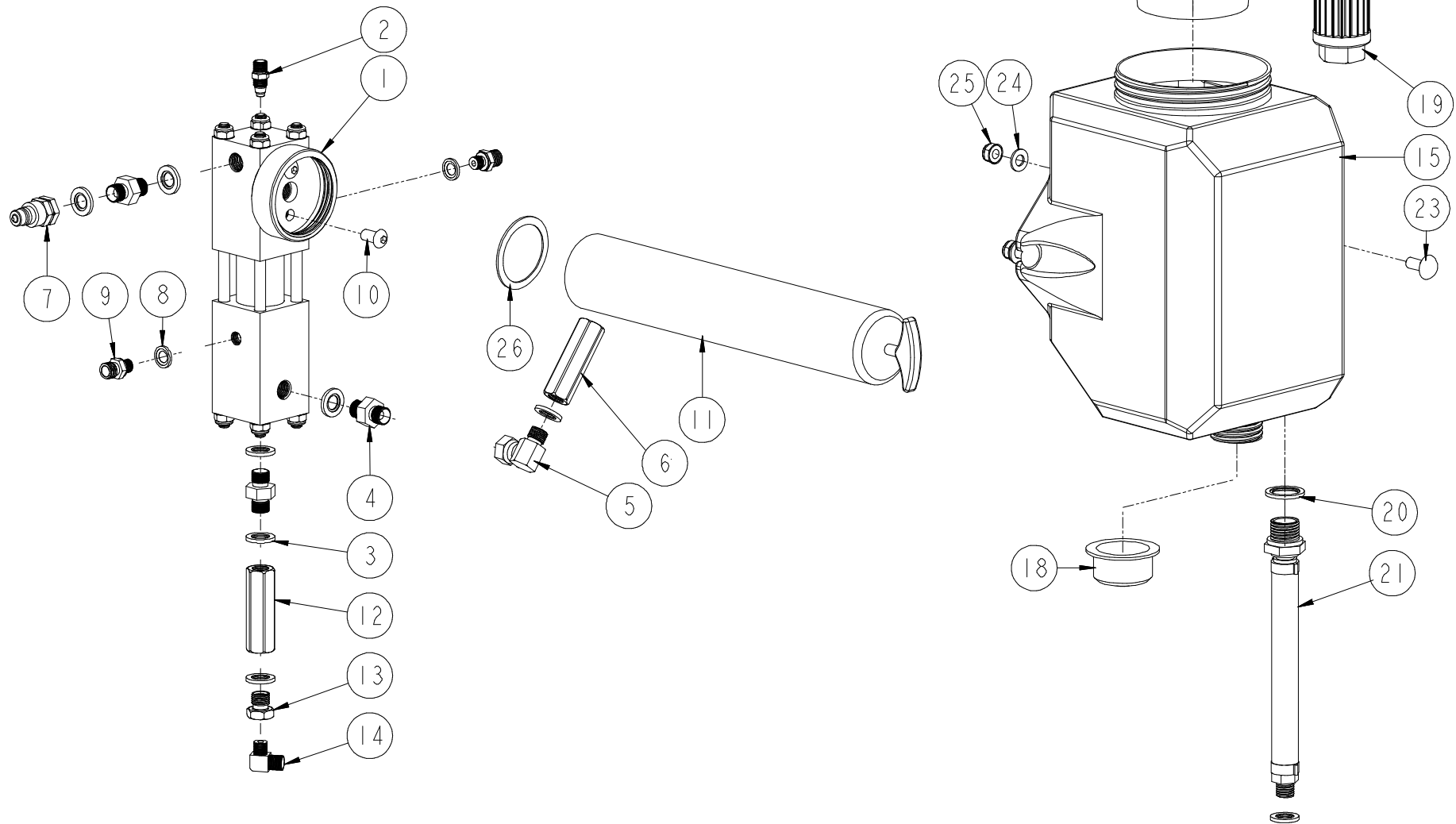
22



23

No.	Part No	Description	Qty
12	CFA00549	6LL FITTING STRAIGHT	1
13	CFA00543	6LL FITTING ELBOW	1
14	CFA00681	6LL UNION (COMPLETE)	1
15	CFA00682	COMPRESSION NUT	1
16	CFA00544	6LL COUPLING NUT	1
17	CFA00648	CHECK VALVE	1
18	CFA00683	BRASS OLIVE	1
19	CFA00545	STEEL OLIVE	1
20	CHY02323	HOSE STUD ELBOW	1
21	CHY02324	HOSE STUD STRAIGHT	1
22	CHY02325	THREADED SLEEVE	1
23	CHY02612	VALVE SVTE MANUAL GREASE NIPPLE	1

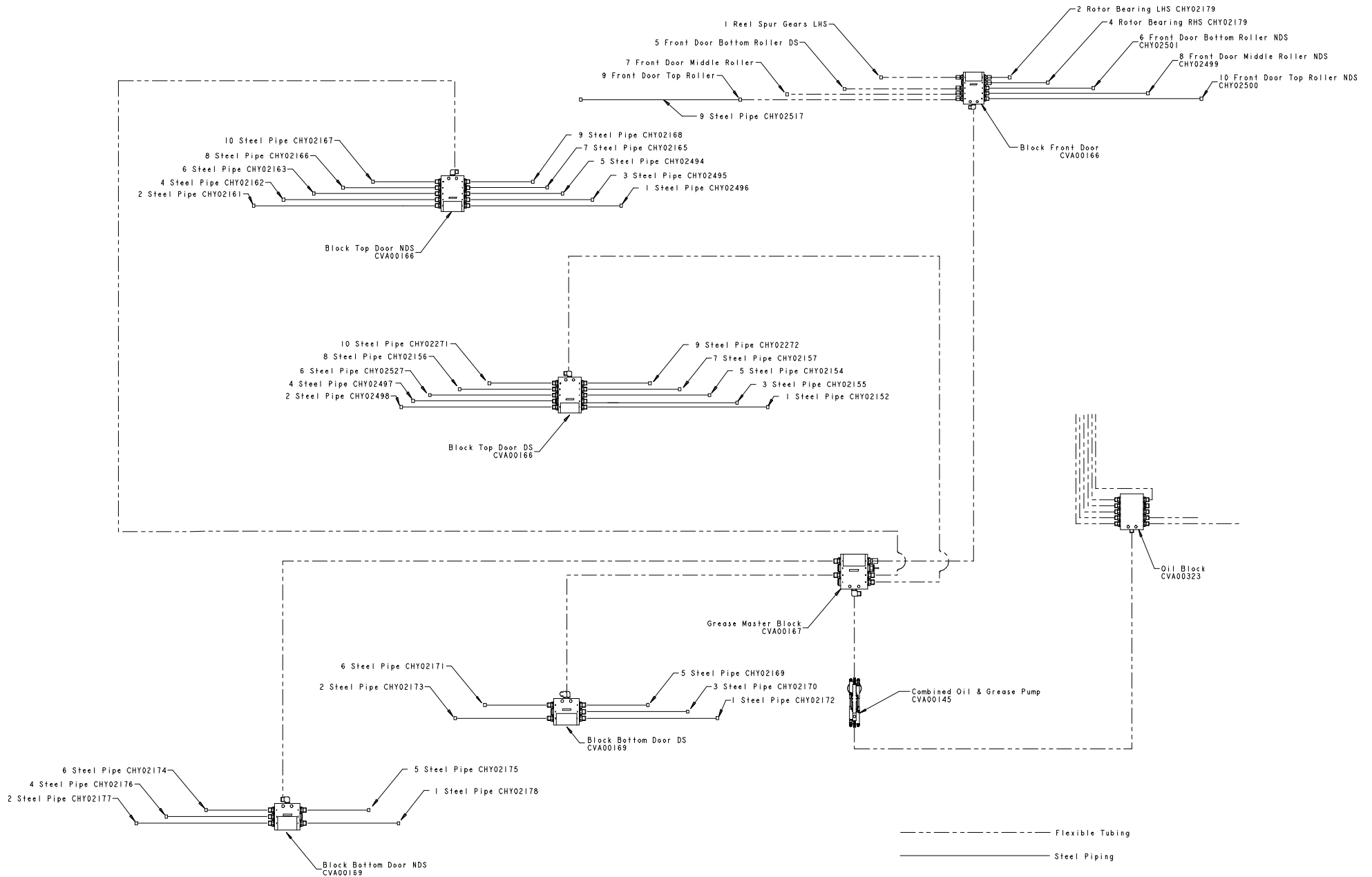
No.	Part No	Description	Qty
-----	---------	-------------	-----



No.	Part No	Description	Qty
1	CVA00384	PUMP OIL/GREASE ALL FUSION	1
		<i>ROUND OIL/GREASE PUMP (REPLACES CVA00145 SQUARE OIL/GREASE PUMP SHOWN)</i>	
2	CVA00172	VALVE CHECK 1/8" - M6LL BODY	1
3	CHY00015	WASHER DOWTY 1/4"	7
4	CHY02010	ADAPTOR 1/4" BSP M/M	3
5	CHY02018	ADAPTOR 1/4" M/F 90DEG	1
6	CVA03111	VALVE NON-RET 1/4" 0 BAR	1
7	CHY02328	QUICK RELEASE 1/4" MALE	1
8	CHY00195	WASHER DOWTY 1/8"	2
9	CHY00198	1/8" TO 12X1MM M-M BSP/METRIC	2
10	CFA00597	SETSCREW M8X16 BUTTON HEAD Z/P	2
11	CVA00184	GREASE GUN CARTRIDGE HOUSING	1
12	CVA03102	VALVE NON RET 1/4" 0.5 BAR	1
13	CMH00941	CAP MACHINED 1/4" - 1/8"	1
14	CFA00543	6MM X 1/8" 90° GREASE FITTING	1
15	CHY00213	OIL RESERVOIR	1
16	CPL00079	FILTER OIL RESERVOIR	1
17	CPL00077	LID OIL RESERVOIR	1
18	CPL00078	CAP OIL RESERVOIR (BOTTOM)	1
19	CHY02330	ST SUCTION STRAINER	1
20	CHY00053	WASHER DOWTY 1/2"	1
21	CHY02329	OIL HOSE RESERVOIR - PUMP	1
23	CFA00506	SETSCREW M8X20 CUPHEAD SQ ZP	2
24	CFA00147	WASHER FLAT 8MM Z/P	4
25	CFA00132	NUT M8 NYLOC	2
26	CSE00613	SEAL GREASE CARTRIDGE	1

No.	Part No	Description	Qty
-----	---------	-------------	-----

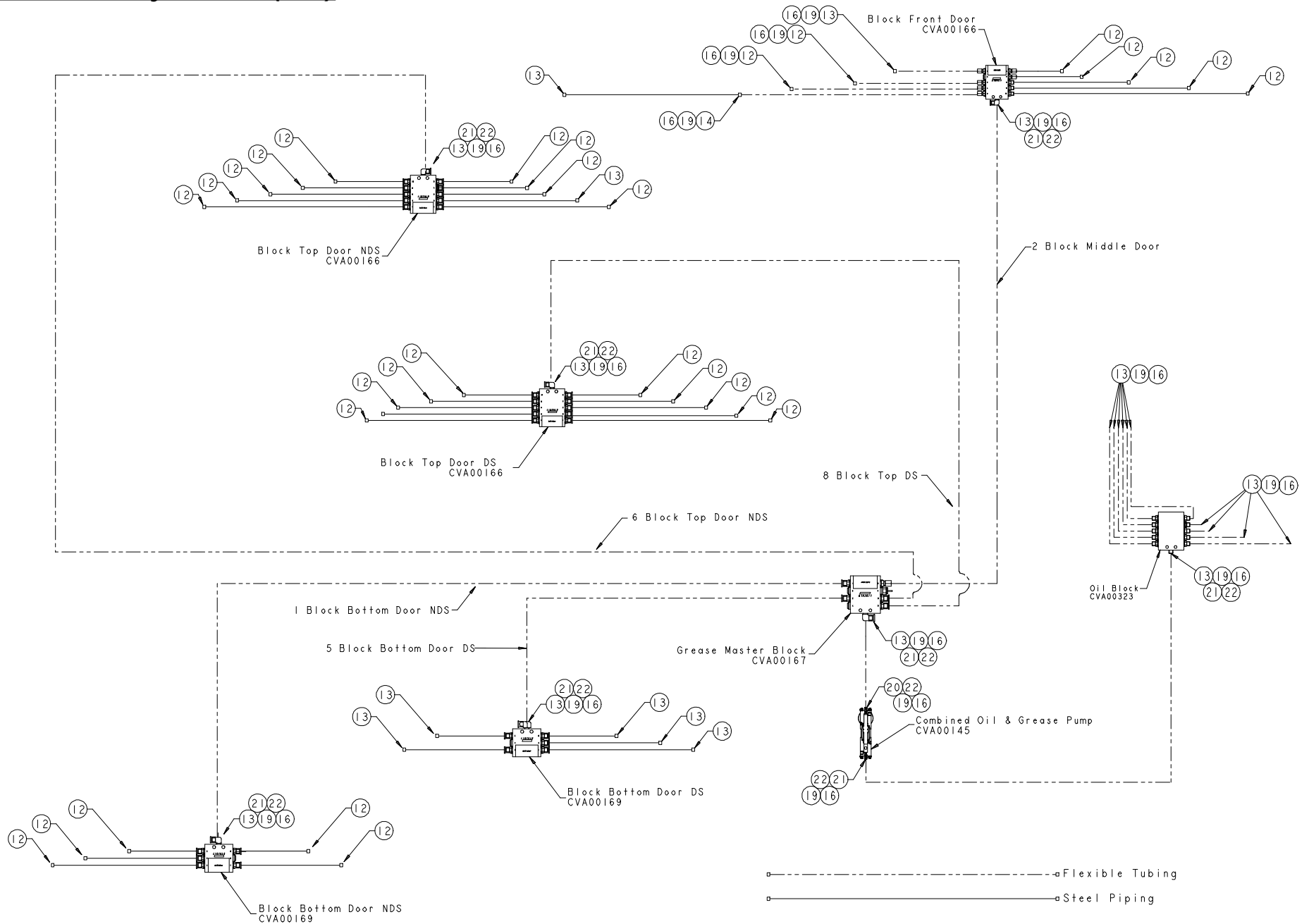
Oil & Grease systems 4 (555)



No. Part No	Description	Qty
— —	CVA00323 OIL BLOCK	0
Ports Part Code	Description	0
1to10 CFA00682	COMPRESSION NUT	10
CFA00683	BRASS OLIVE	10
— —	CVA00167 GREASE MASTER BLOCK	0
Ports Part Code	Description	0
1,2,5, CFA00648	CHECK VALVE	5
CFA00545	STEEL OLIVE	5
CFA00544	COUPLING NUT	5
CHY02324	HOSE STUD STRAIGHT	5
CHY02325	THREADED SLEEVE	5
— —	CVA00166 BLOCK FRONT DOOR	0
Ports Part Code	Description	0
1&2, 4CFA00648	CHECK VALVE	9
CFA00545	STEEL OLIVE	9
CFA00544	COUPLING NUT	9
— —	CVA00166 BLOCK TOP DOOR DS	0
Ports Part Code	Description	0
1to10 CFA00648	CHECK VALVE	10
CFA00545	STEEL OLIVE	10
CFA00544	COUPLING NUT	10
— —	CVA00166 BLOCK TOP DOOR NDS	0
Ports Part Code	Description	0
1 to 1 CFA00648	CHECK VALVE	10
CFA00545	STEEL OLIVE	10
CFA00544	COUPLING NUT	10
— —	CVA00169 BLOCK BOTTOM DOOR DS	0
Ports Part Code	Description	0
1,2,3, CFA00648	CHECK VALVE	5
CFA00545	STEEL OLIVE	5
CFA00544	COUPLING NUT	5
— —	CVA00169 BLOCK BOTTOM DOOR NDS	0
Ports Part Code	Description	0
1,2,4, CFA00648	CHECK VALVE	5
CFA00545	STEEL OLIVE	5
CFA00544	COUPLING NUT	5

No. Part No	Description	Qty
-------------	-------------	-----

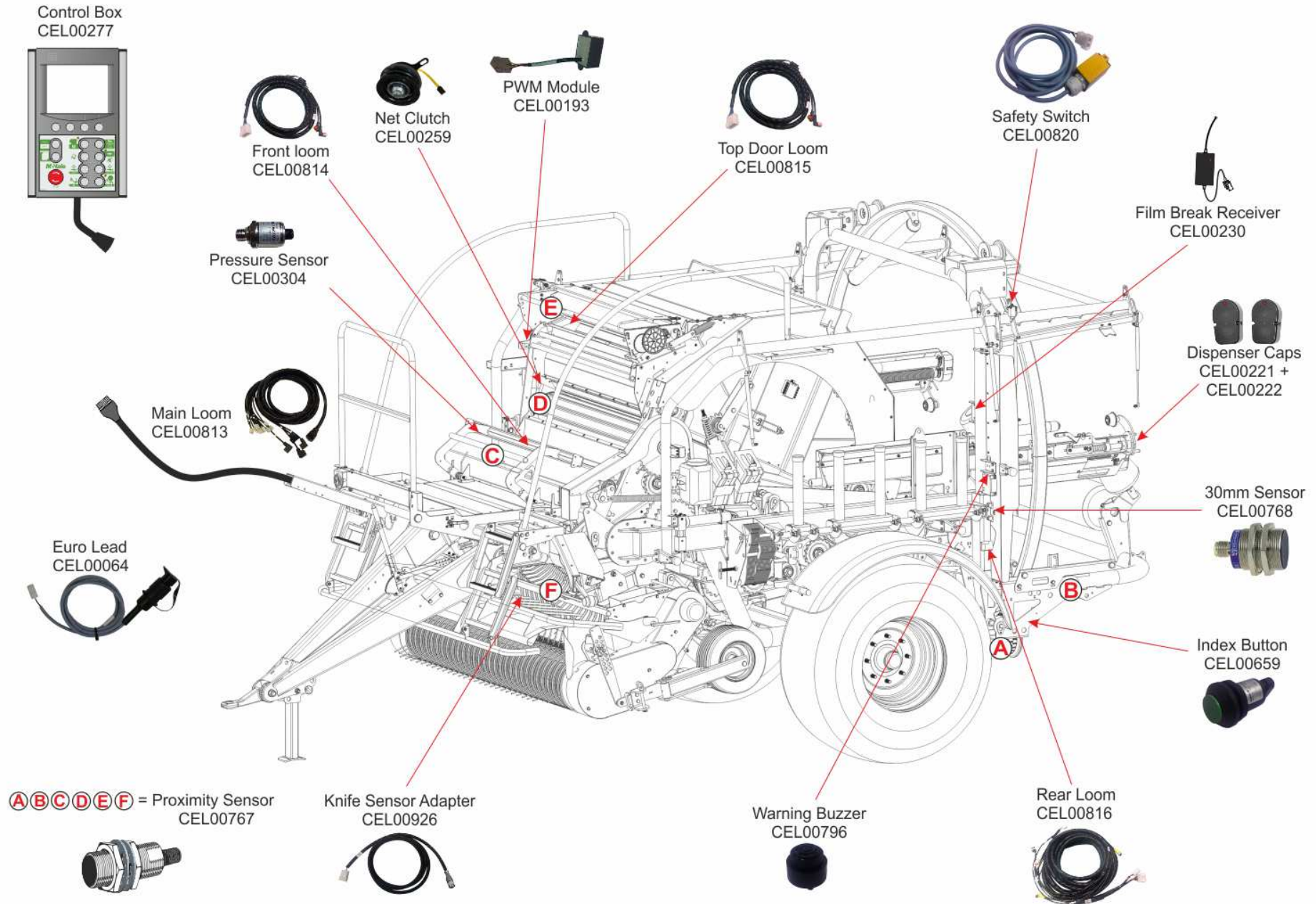
Oil & Grease systems 5 (556)



No.	Part No	Description	Qty
12	CFA00549	6LL FITTING STRAIGHT	0
13	CFA00543	6LL FITTING ELBOW	0
14	CFA00681	6LL UNION (COMPLETE)	0
16	CFA00544	6LL COUPLING NUT	0
19	CFA00545	STEEL OLIVE	0
20	CHY02323	HOSE STUD ELBOW	0
21	CHY02324	HOSE STUD STRAIGHT	0
22	CHY02325	THREADED SLEEVE	0

No.	Part No	Description	Qty
-----	---------	-------------	-----

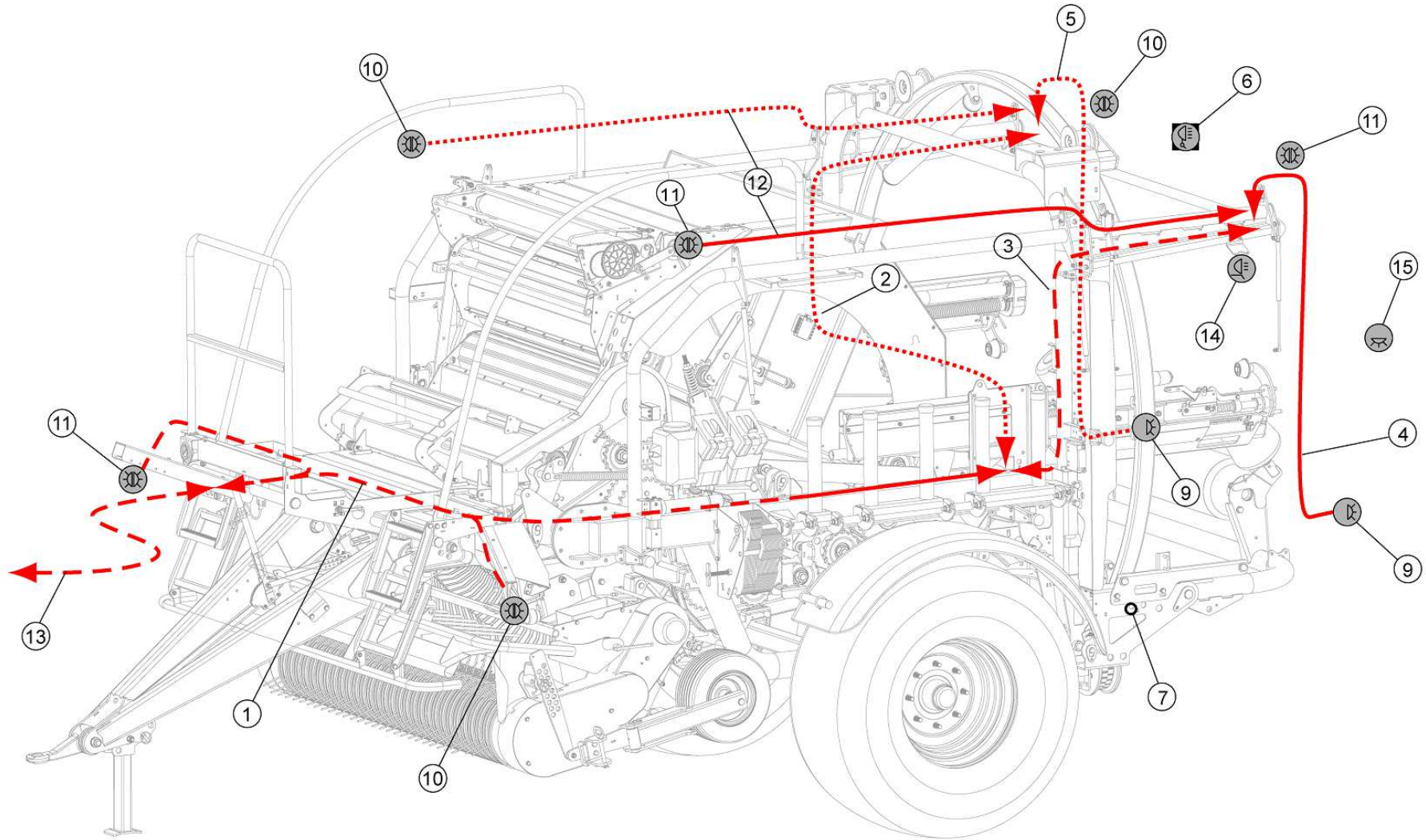
Electrical control (815)



No.	Part No	Description	Qty
1	CEL00064	EURO LEAD	1
2	CEL00193	PWM MODULE	1
3	CEL00221	DISPENSER CAP EVEN	1
4	CEL00222	DISPENSER CAP ODD	1
5	CEL00230	RECEIVER FILM BREAK	2
6	CEL00259	MAGNETIC CLUTCH UNIT 12V	1
7	CEL00277	CONTROL BOX FUSION	1
8	CEL00304	PRESSURE SENSOR	1
9	CEL00659	INDEX BUTTON	1
11	CEL00767	SENSOR M18 PROX M12 PLUG	6
12	CEL00768	SENSOR M30 PROX M12 PLUG	1
13	CEL00796	WARNING BUZZER SINGLE TONE	1
14	CEL00813	MAIN LOOM STANDARD FUSION3	1
15	CEL00814	FRONT LOOM STANDARD FUSION 3	1
16	CEL00815	TOP DOOR LOOM STANDARD FUSION3	1
17	CEL00816	REAR LOOM STANDARD FUSION 3	1
18	CEL00820	SWITCH ASSY SAFETY	1
19	CEL00926	ADAPTOR 3WAY AMP-M12 STRAIGHT 2M	1
<i>REPLACES CEL00817</i>			

No.	Part No	Description	Qty
-----	---------	-------------	-----

Electrical lighting kit (816)



No.	Part No	Description	Qty
1	CEL00800	LIGHTING LOOM FUSION 3 MAIN	1
2	CEL00801	LIGHTING LOOM FUSION 3 CROSS	1
3	CEL00802	LIGHTING LOOM FUSION 3 LEFT	1
4	CEL00803	LIGHTING LOOM FUSION 3 LH PLUG	1
5	CEL00804	LIGHTING LOOM FUSION 3 RH PLUG	1
6	CEL00849	FIELD LAMP LED SQUARE 5X3W	1
<i>OPTIONAL</i>			
6a	CZC04715	3MM L LAMP MOUNTING PLATE	2
<i>(NOT SHOWN) USED WITH ITEM 6 OPTION ONLY</i>			
6b	CFA00052	SETSCREW M8X20 ZP	4
<i>(NOT SHOWN) USED WITH ITEM 6 OPTION ONLY</i>			
6c	CFA00147	WASHER FLAT 8MM ZP	8
<i>(NOT SHOWN) USED WITH ITEM 6 OPTION ONLY</i>			
6d	CFA00132	NUT M8 NYLOC Z/P	4
<i>(NOT SHOWN) USED WITH ITEM 6 OPTION ONLY</i>			
7	CEL00880	SWITCH ASM REAR FIELD LAMP LED	1
<i>(INCLUDES LOOM) USED WITH ITEM 6 OPTION ONLY</i>			
9	CEL00831	TAIL LIGHT CIRCULAR LED FUSION 3	2
<i>OPTIONAL</i>			
10	CEL00842	MARKER LAMP STALK LHS FUSION 3	1
11	CEL00843	MARKER LAMP STALK RHS FUSION 3	1
12	CEL00832	LIGHTING LOOM EXTENSION UPPER MARKERS	2
<i>OPTIONAL</i>			
13	CEL00838	LIGHT LOOM EXT FUSION 3	1
14	CEL00227	WORK LAMP FUSION	1
15	CEL00823	REGISTRATION LIGHT FUSION 3	1
<i>OPTIONAL</i>			

No.	Part No	Description	Qty
-----	---------	-------------	-----

Decals 1 (819)

Rotating Elements
(CST00014)

DANGER

ATTENZIONE ELEMENTI ROTATIVI. DANGER PAR SUITE DE PROJECTION DE CORPS ÉTRANGERS. ELONGHER TOTTE PERSONE DELLA ZONA DANGEROSA.

WARNING! ROTATING ELEMENTS. DANGER DUE TO PROJECTION OF FOREIGN OBJECTS. KEEP ALL PERSONS AWAY FROM THE DANGER AREA.

VORSICHT! NACHLAUFENDE TEILE. GEFAHR DURCH FORTGESCHLEUDERTE FREIWERKSTÜCKE. PERSONEN AUS DER GEFÄHRDUNGSSCHEN VERWEISEN.

ATENCIÓN! ELEMENTOS ROTATIVOS. PELIGRO DEBIDO A LA PROYECCIÓN DE CUERPOS EXTRAÑOS. ALEJAR A TODA PERSONA DE LA ZONA PELIGROSA.

High Pressure
(CST00056)

Remove key from ignition
(CST00113)

Hands Rotating rollers
(CST00017)

Do not stand on platform
(CST00107)

Close all covers
(CST00114)

Hands Crush area
(CST00019)

Keep clear of pick-up
(CST00108)

Release pressure
(CST00115)

Check wheel nuts
(CST00020)

D DIE RADMUTTERS MÜSSEN TÄGLICH ÜBERPRÜFT WERDEN

F VERIFIEZ RÉGULIÈREMENT LE SERRAGE DES ECROUS DES ROUES

UK CHECK WHEEL NUTS DAILY

Read manual before use
(CST00110)

Keep clear of dispenser
(CST00116)

Lift hook Lifting eye
(CST00032)

Pressurised hydraulic oil
(CST00111)

MAX PTO 610 RPM

MAX 210 bar

Max PTO & pressure
(CST00121)

Grease daily
(CST00060)

MCH-002

Warning sharp knives
(CST00112)

Warning!

General warnings
(CST00134)

No.	Part No	Description	Qty
1	CST00014	DECAL WARNING!ROTATING ELEMENT	2
2	CST00017	DECAL ROTATING ELEMENTs 214	3
3	CST00019	DECAL CRUSHED HAND	3
4	CST00020	DECAL CHECK WHEEL NUTS	2
5	CST00032	DECAL LIFTING HOOK	4
6	CST00060	DECAL GREASE GUN	12
7	CST00056	DECAL ACCUMULATOR WARNING	5
8	CST00107	DECAL NO STANDING ON PLATFORM	1
9	CST00108	DECAL ROTATING PICK UP REEL	3
10	CST00110	DECAL READ MANUAL	4
11	CST00111	DECAL HYDRAULIC WARNING	3
12	CST00112	DECAL WARNING!SHARP KNIVES	4
13	CST00113	DECAL REMOVE KEY	4
14	CST00114	DECAL CLOSE PROTECTIVE COVERS	3
15	CST00115	DECAL ACCUMULATOR PRESSURE	2
16	CST00116	DECAL DANGER ROTATING RING	3
17	CST00121	DECAL OIL PRESSURE/PTO RPM	1
18	CST00134	DECAL GENERIC WARNINGS	1

No.	Part No	Description	Qty
-----	---------	-------------	-----

Decals 2 (820)

Free-flow tank return
(CST00006)

Dispenser switch
(CST00137)

McHale logo
(CST00122)

Danger idle roller LHS
(CST00162)

Dispenser orientation
(CST00154)

Keep brakes clean
(CST00163)

Dispenser film path
(CST00022)

Net path routing
(CST00156)

Max PTO angle
(CST00658)

Hosing connections
(CST00135)

Wheel torque & pressure
(CST00157)

Greasing diagram
(CST00739)

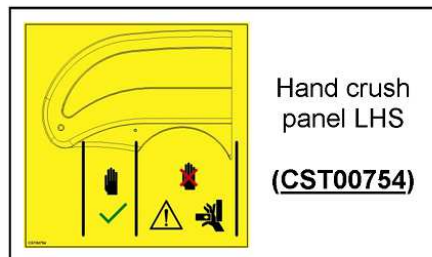
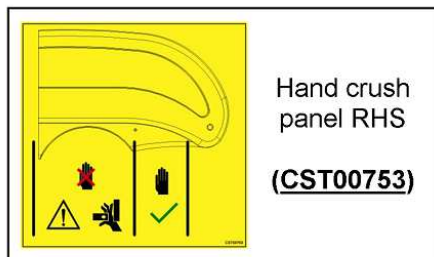
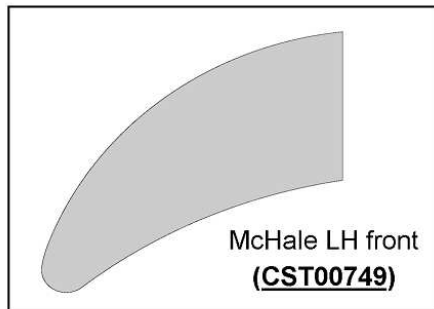
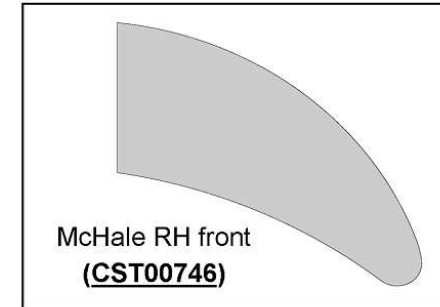
Net layer setting
(CST00136)

Danger idle roller RHS
(CST00161)

No.	Part No	Description	Qty
1	CST00006	DECAL FREEFLOW RETURN TO TANK	1
2	CST00022	DECAL FILM PATH 998 MCH-014	1
3	CST00122	DECAL MCHALE REAR PANEL FUSION	1
4	CST00135	DECAL FUSION HOSING ROAD FIELD	1
5	CST00136	DECAL FUSION NETTER AMOUNT	1
6	CST00137	DECAL FUSION DISPENSER PARK	1
7	CST00154	DISPENSER RING ORIENTATION	2
8	CST00156	DECAL FUSION NET PATH	2
9	CST00157	DECAL WHEEL PRESSURE TORQUE	2
10	CST00161	DECAL IDLE ROLLER DANGER RIGHT	1
11	CST00162	DECAL IDLE ROLLER DANGER LEFT	1
12	CST00163	DECAL WARNING KEEP BRAKES CLEAN	2
13	CST00658	DECAL PTO MAX OPERATING ANGLE	2
14	CST00739	DECAL GREASING FUSION	1

No.	Part No	Description	Qty
-----	---------	-------------	-----

Decals 3 (821)



No. Part No	Description	Qty
1 CST00118	DECAL KNIFE LOCK POSITION	1
<i>STANDARD KNIVES</i>		
1 CST00606	DECAL GERMAN KNIFE LOCK	1
<i>GERMAN KNIVES (GERMANY ONLY)</i>		
2 CST00744	STICKER 'MCHALE' RH REAR F3	1
3 CST00745	STICKER 'MCHALE' RH MIDDLE F3	1
4 CST00746	STICKER 'MCHALE' RH FRONT F3	1
5 CST00747	STICKER MCHALE LH REAR F3	1
6 CST00748	STICKER 'MCHALE' LH MIDDLE F3	1
7 CST00749	STICKER 'MCHALE' LH FRONT F3	1
8 CST00750	STICKER 'FUSION 3' 610MM WIDE	2
8a CST00788	DECAL 'PLUS' FUSION 3 PLUS	2
<i>USED UNDER FUSION 3 (ITEM 8) ON NRF BARREL WRAP MACHINES (SIDE PANELS) ONLY</i>		
9 CST00751	STICKER 'FUSION 3' 440MM WIDE	1
9a CST00794	DECAL 'PLUS' 280MM WIDE FUSION 3 PLUS	1
<i>USED UNDER FUSION 3 (ITEM 9) ON NRF BARREL WRAP MACHINES (TOP DOOR) ONLY</i>		
10 CST00753	DECAL HAND CRUSH FRONT PANEL RH	1
11 CST00754	DECAL HAND CRUSH FRONT PANEL LH	1
12 CST00756	DECAL DOOR LOCK VALVE FUSION	1

No. Part No	Description	Qty
-------------	-------------	-----