

# McHale 991B



QUALITY

I.S. EN ISO 9001:2008

NSAI Certified



## 991B-BC-BE-BER-BJS Spare Parts Book

McHale,  
Ballinrobe,  
Co. Mayo, Ireland.

Tel: +353 94 9520300

Fax: +353 94 9520356

Email: [sales@mchale.net](mailto:sales@mchale.net)

Website: [www.mchale.net](http://www.mchale.net)

---

This page is intentionally left blank

McHale 991B-BC-BE-BER-BJS

---

---

## Introduction

---

The **McHale 991B-BC-BE-BER-BJS** which you have purchased has been developed through years of constant research and development. Given proper care and attention the **991B-BC-BE-BER-BJS** will give years of reliable and dependable performance. However it is important that the operators manual is read and fully understood to achieve this, **before** the machine is operated. As part of this philosophy it is vital to use only **genuine McHale** replacement parts, as these are manufactured to the same high standard as the original machine. These may be obtained through your **McHale** dealer.

If any part of this manual is not fully understood, please contact your **McHale** dealer who will be able to answer any questions or queries that you might have. It is important to quote the machine serial number when requiring spare parts or technical assistance. Space is provided below to record the machine details:

<b>Serial number:</b>	
<b>Year of manufacture:</b>	
<b>Date of delivery:</b>	

If you require further copies of this spare parts manual please  
quote part number CLT00349

**Note:** Parts described as left and right are done so according to the direction that the machine normally travels in.

**Note:** Due to a policy of continuous product development and improvement *McHale Engineering* reserve the right to alter machine specifications without prior notice.

---

# Contents

---

Section	Page No	Document No	Section	Page No	Document No
<b>Chassis</b>			Hydraulic components 991BJS (259)	58	SPD00259
Main chassis (233)	6	SPD00233	Electrical 991BJS (260)	60	SPD00260
Sub chassis (234)	8	SPD00234	Electrical lighting 991B (261)	62	SPD00261
Rotary table (235)	10	SPD00235	Remote control options (263)	64	SPD00263
Gearbox (236)	12	SPD00236	<b>Decals</b>		
Lift arm (237)	14	SPD00237	Decals (768)	66	SPD00768
Dispenser post (238)	16	SPD00238			
Dispenser (239)	18	SPD00239			
Cut & Hold (240)	20	SPD00240			
Bale damper standard (241)	22	SPD00241			
Bale damper side tip (242)	24	SPD00242			
Axle & Wheels (243)	26	SPD00243			
500mm conversion kit (244)	28	SPD00244			
<b>Hydraulic &amp; Electrical</b>					
Hydraulic assembly 991B (245)	30	SPD00245			
Hydraulic control valve 991B (246)	32	SPD00246			
Hydraulic components 991B (247)	34	SPD00247			
Electrical 991B (248)	36	SPD00248			
Hydraulic assembly 991BE (249)	38	SPD00249			
Hydraulic control valve 991BE-BER-HS (715)	40	SPD00715			
Hydraulic components 991BE (251)	42	SPD00251			
Electrical 991BE (252)	44	SPD00252			
Hydraulic assembly 991BC (253)	46	SPD00253			
Hydraulic valve cables 991BC (254)	48	SPD00254			
Hydraulic components 991BC (255)	50	SPD00255			
Electrical 991BC (256)	52	SPD00256			
Hydraulic assembly 991BJS (257)	54	SPD00257			
Hydraulic joystick 991BJS (258)	56	SPD00258			

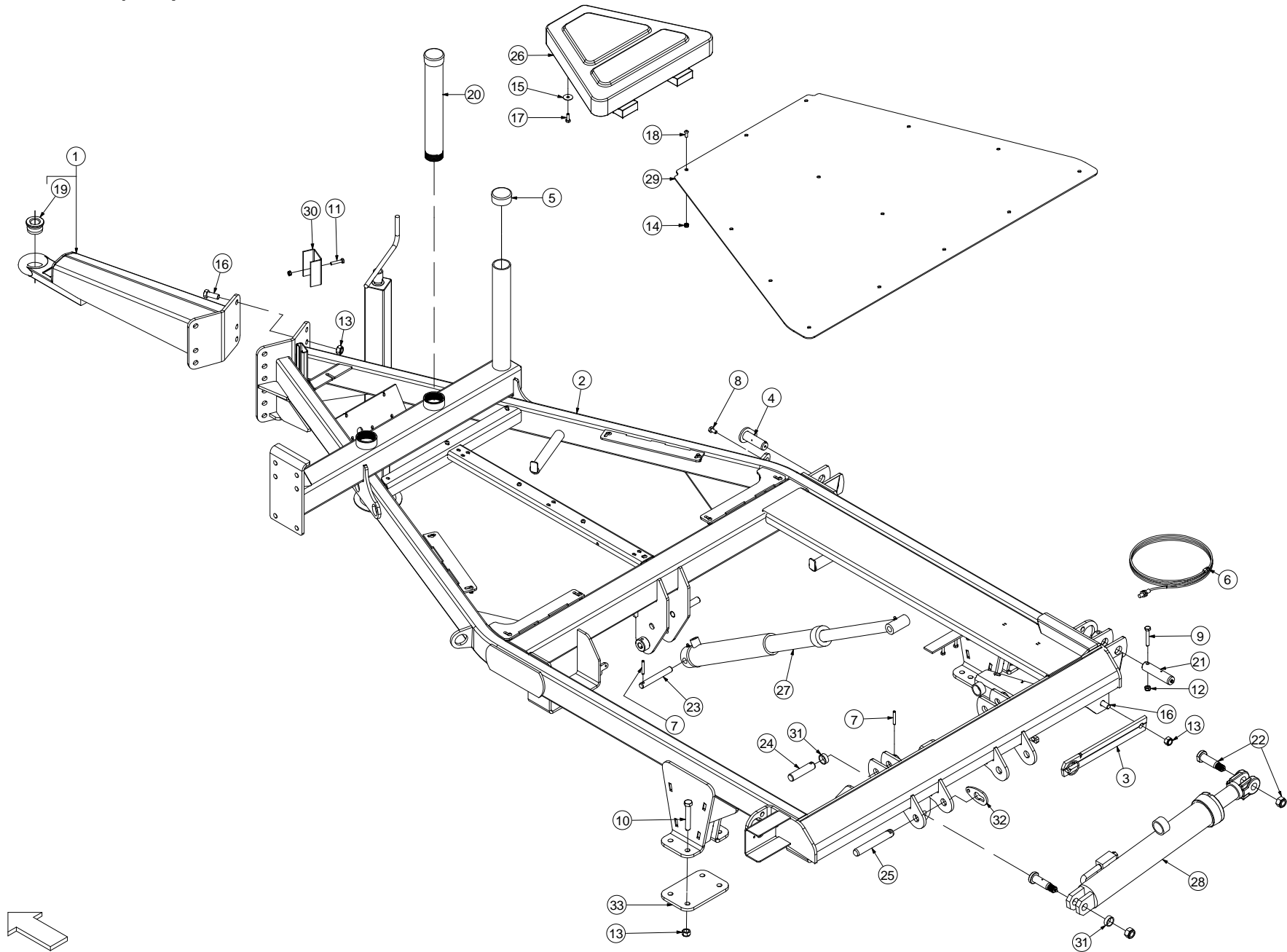
---

This page is intentionally left blank

McHale 991B-BC-BE-BER-BJS

---

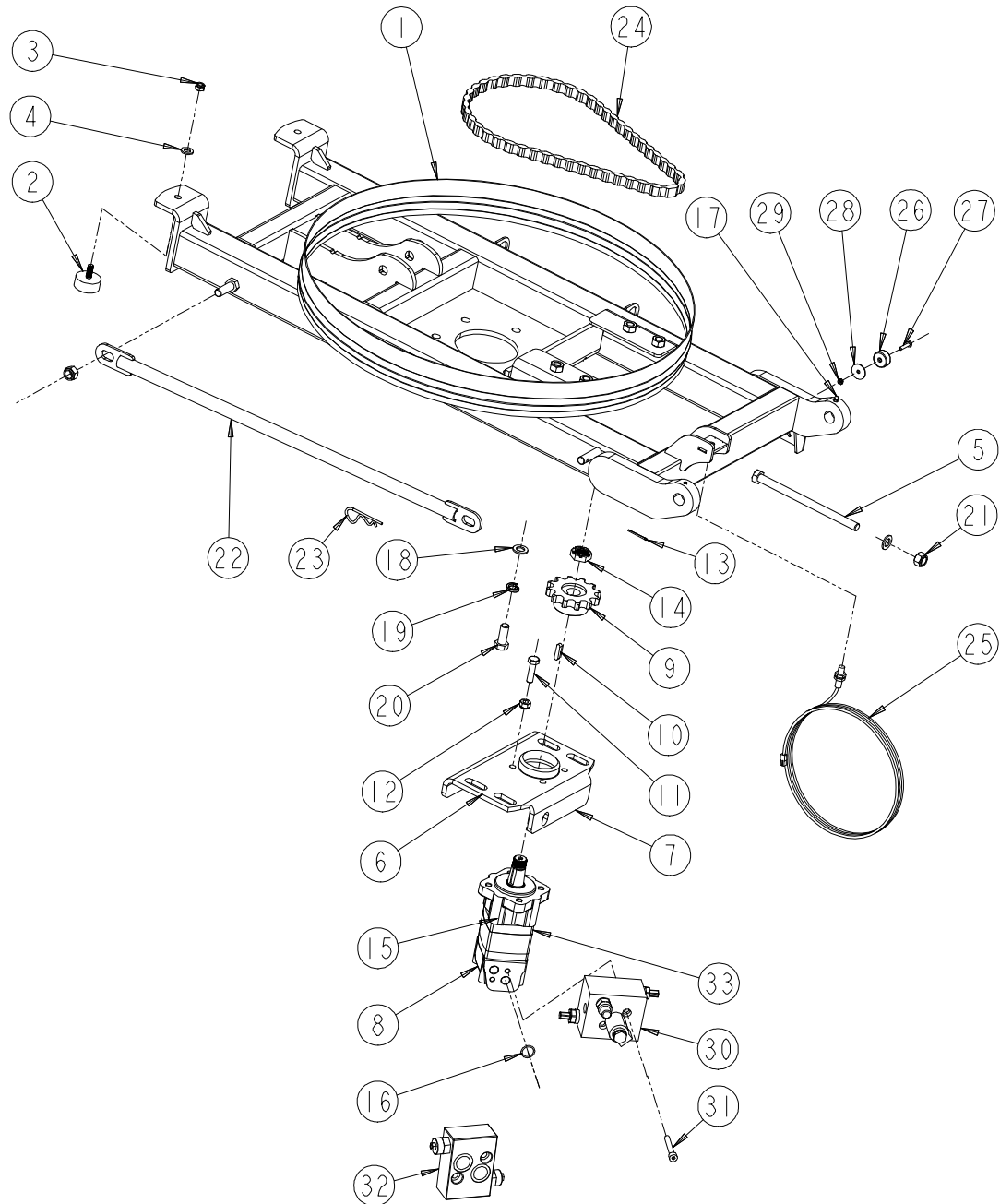
# Main chassis (233)



No.	Part No	Description	Qty
1	ACH00008	DRAWBAR HITCH EYE STANDARD <i>(INCLUDES BUSH HITCH EYE CMH00010)</i>	1
1	ACH00009	DRAWBAR HIGH HITCH GERMAN <i>HIGH HITCH FOR GERMAN MACHINES ONLY</i>	1
1	ACH00121	AMERICAN CLEVIS HITCH <i>AMERICAN MACHINES ONLY</i>	1
1	ADB00153	DRAWBAR HITCH EYE 991 TRAILED <i>FRENCH MACHINES ONLY</i>	1
1	ADB00154	DRAWBAR HITCH EYE 991 TRAILED <i>POLISH MACHINES ONLY ( INCLUDES BUSH HITCH EYE CMH00010)</i>	1
1a	CTP00042	CHAIN - SAFETY <i>SAFETY-CHAIN USED WITH FRENCH &amp; POLISH MACHINES ONLY</i>	1
2	ACH00079	TRAILED CHASSIS 991B	1
3	ALA00005	LIFTARM SAFETY BAR	1
4	ALA00034	PIN 991 LIFTARM HINGE Z/P	1
5	CBC00007	CAP BLACK PLASTIC 2.3/8" OSF	2
6	CEL00036	SENSOR CABLE 5M <i>CEL00215 UNIVERSAL MAGNETIC SENSOR IS A SUITABLE REPLACEMENT FOR THIS PART. ALL McHALE MAGNETIC SEN</i>	1
7	CFA00010	ROLL PIN 8X50 Z/P	3
8	CFA00018	SETSCREW M10X20	1
9	CFA00028	BOLT M10X65 Z/P	1
10	CFA00040	BOLT M16X100 Z/P	8
11	CFA00100	BOLT M8X40 Z/P	1
12	CFA00123	NUT M10 NYLOC	1
13	CFA00128	NUT M16 NYLOC	15
14	CFA00132	NUT M8 NYLOC Z/P	15
15	CFA00149	WASHER MUDWING M8 31.75OD	1
16	CFA00151	SETSCREW M16X40 Z/P	7
17	CFA00407	BOLT M8X25 Z/P	1
18	CFA00429	SETSCREW M8X20 BUTTON HEAD Z/P	14
19	CMH00010	BUSH HITCH EYE	1
20	CMH00014	TUBE 60X614 THREAD	1
21	ALA00007	KIT LIFT ARM HINGE PIN	1
22	ALA00008	KIT LIFT ARM RAM PIN	2
23	CMH00068	PIN 19X140&8MM Z/P	1
24	CMH00095	PIN 25X106&8MM Z/P	2
25	CMH00403	PIN 25X170 Z/P MILLED FOR CAP	2
26	CPL00021	VALVE COVER 991BE PLAS	1
27	CRA00019	RAM TIP TABLE 2 STAGE 991B	1
27a	CSE00019	SEAL KIT TABLE TIP 2 STAGE	1
28	CRA00020	RAM 80X50 BALE LIFT ARM 991B	1
28a	CSE00020	SEAL KIT 80MM RAM	1
28b	CRA10020	RAM ROD LIFTARM	1
28c	CRA00145	RAM CAP FOR CYLINDER CRA00020	1
28d	CRA00131	SEAL GLAND TOP 80MM RAM	1
28e	CRA00135	SEAL GLAND BOTTOM 80MM RAM	1
28f	CVA00035	CTE CHECKVALVE MCHALE 20	1
29	CTP00005	PLATE CHECKERED GALV	1
30	CTP00015	CABLE CLAMP3MM CHANNEL140X100	1
31	CXT00016	TUBE 33.7X3X12	3

No.	Part No	Description	Qty
32	CZF00292	6MM L CAP LONG FOR 25MM PINS	2
33	CZH00105	10MM L TRAILED CHASSIS	2

**Sub chassis (234)**

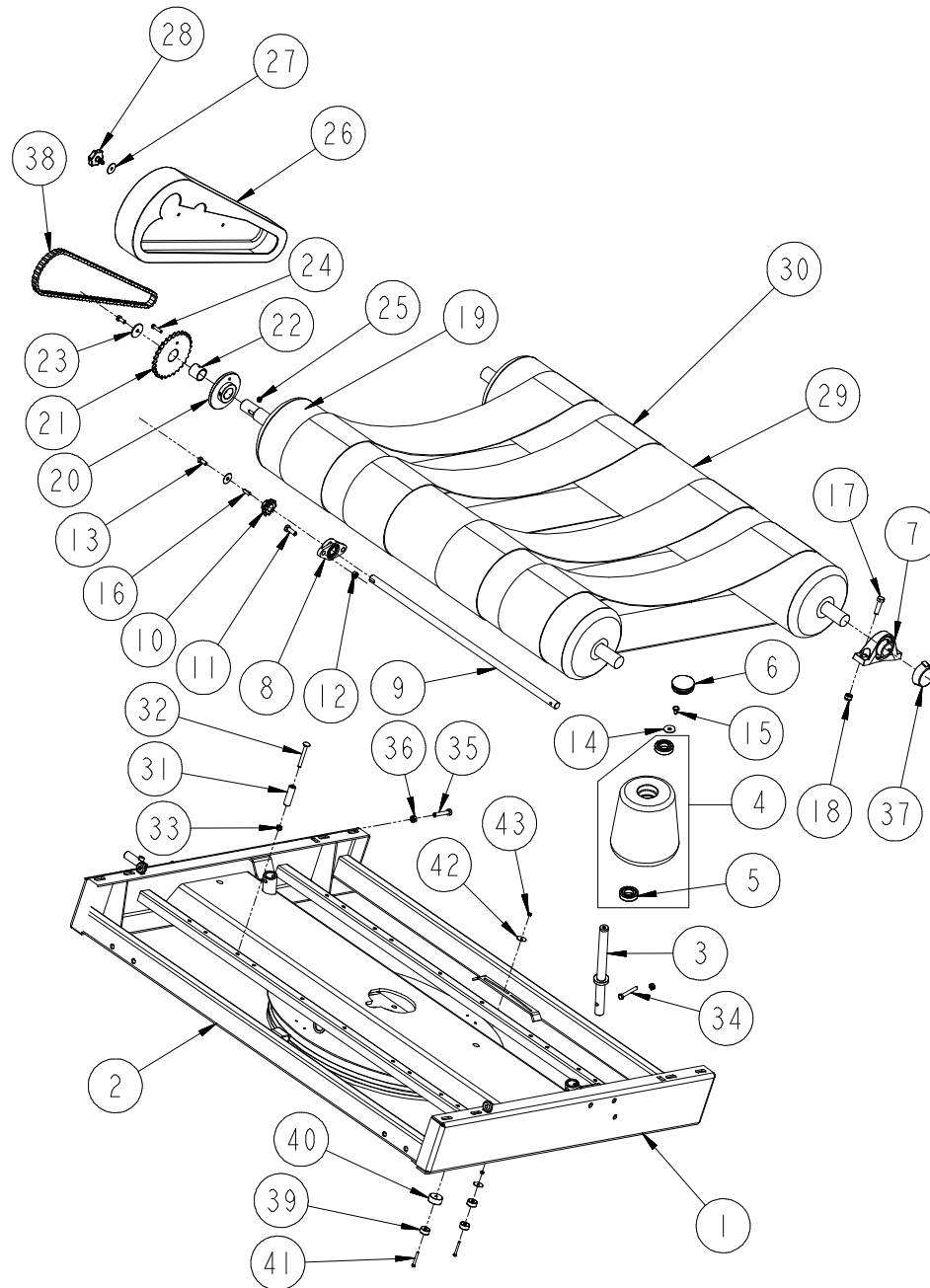




No.	Part No	Description	Qty
1	ACH00010	SUBCHASSISFRAMETRAILEDASY	1
2	CBE00002	BUFFERRUBBER5OX2IMIOX28	2
3	CFA00123	NUT MI 0 NYLOC	2
4	CFA00138	WASHER FLAT 12MM ZIP	2
5	CFA00041	BOLT MI 6X240	1
6	ACH00019	MOTOR COMPLETE 99ITRAILED	1
7	ACH00020	MOTOR ADJUSTING PLATE TRAILED	1
8	CMT00002	MOTOR 250CC 4BOLT I 1/4 TAPERE	1
9	CMH00061	SPROCKET I PITCH I2T TAPPED	1
10	CFA00157	KEY8X7X35	1
11	CFA00079	BOLTM12X45	4
12	CFA00124	NUT MI2 NYLOC	4
13	CFA00021	SPLITPIN4X5OZ/P	1
14	CMT00015	NUT CASTLE ALL MOTOR SHAFTS	1
15	CSE00081	SEAL KIT CHARLYNN COMPLETE	1
16	CSE00009	SEAL O RING 27ODX2.6 SECT 705	2
17	CFA00118	GREASE NIPPLE M8X1.25 STRAIGHT	2
18	CFA00140	WASHERFLAT16MMZ/P	5
19	CFA00141	WASHERSPRINGMI6HEAVYDUTY	4
20	CFA00151	SETSCREWM16X4OZIP	4
21	CFA00128	NUT MI6 NYLOC	2
22	ACH00007	SAFETY BAR TRAILED	1
23	CFA00004	R-CLIP 4MM	1
24	CCH00003	CHAIN KIT I6B IPITCH 47LINKS	1
25	CEL00036	SENSOR CABLE SM	1
26	CEL00017	MAGNET BLUE WHEEL	1
27	CFA00047	SETSCREWM6X3OZIP	1
28	CFA00145	WASHER MUDWING M6 32MM OD	1
29	CFA00131	NUT M6 NYLOC	1
30	CVA03000	VALVE BLOCK SLOW SPEED DANFOSS	1
31	CFA00029	BOLT MIOX70 SOC CAP ZIP	2
32	CVA00011	VALVE RELIEF CL OMSIOO&I3OBAR	1
33	CSE00083	SEALKITMOTORDANFOSSOMS	1

No.	Part No	Description	Qty
-----	---------	-------------	-----

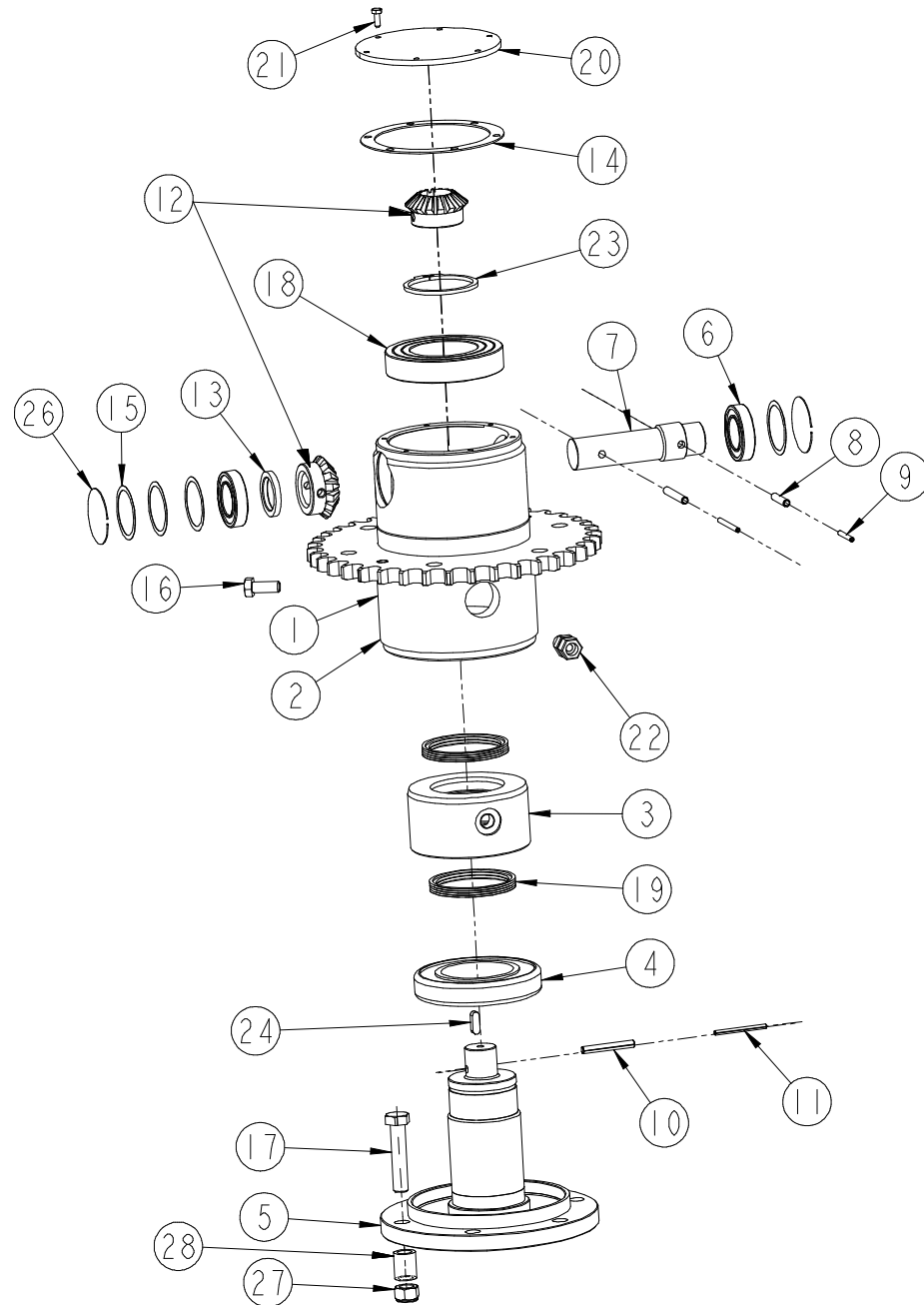
**Rotary table (235)**



No.	Part No	Description	Qty
1	ART00054	991 TABLE COMPLETE ASSY.	1
2	ART00099	TABLEWELDASSY	1
3	ART00005	BOBBIN AXLE SHAFT	2
4	CPL00008	BOBBIN ASSEMBLY	2
5	CBR00024	BEARING 62062R5	2
6	CBC00008	CAP PLASTIC INSERT 75MM	1
7	CBR00005	BEARING PILBLK I 3/4 350 NP28	4
8	CBR00006	BEARING FLANGE 25MM 2BOLT	1
9	CMH00021	SHAFT 25X900 991	1
<i>REPLACES CMH01244 [WHICH IS IDENTICAL BUT NO LONGER AVAILABLE]</i>			
10	CMH00059	SPROCKET 3/4 PITCH 9T	1
11	CFA00033	SETSCREW M I 2X35 ZIP	2
12	CFA00124	NUT M12 NYLOC	2
13	CFA00024	SETSCREW M10X25 ZIP	2
14	CFA00134	WASHER MUDWING MIOX38MM OD	3
15	CFA00022	SETSCREW MI OXI 6 Z/P	2
16	CFA00359	KEY 8X7X30	1
17	CFA00038	BOLTM14X50	8
18	CFA00126	NUT M14 NYLOC	8
19	ART00004	TABLE DRIVING ROLLER	1
20	CMH00029	SHEAR BOLT FLANGE	1
21	CMH00060	SPROCKET 3/4 PITCH 28T	1
22	CBR00018	BEARING GLACIER PM 4040	1
23	CZD00121	4MM L CUT & TIE SPACER Z/P	1
24	CFA00055	BOLT M8X35 Z/P	1
25	CFA00132	NUT M8 NYLOC Z/P	1
26	CGD00003	GUARD CHAIN TABLE 991	1
27	CFA00149	WASHERMUDWINGM838MMOD	2
28	CBC00002	HAND WHEEL M8X20	2
29	ART00003	TABLE IDLE ROLLER	1
30	CBE00010	BELT SINGLE 96	4
30	CBE00003	BELT SET (CBE00010)X4	1
31	CMH00001	BUSH I2X22X70	16
32	CFA00546	BOLT MI 0X85 CUP HEAD SQ Z/P	16
33	CFA00123	NUT MI 0 NYLOC	18
34	CFA00383	BOLT M I 0X70 Z/P	2
35	CFA00036	SETSCREW MI 2X70 Z/P	2
36	CFA00014	NUTMI2	2
37	CBR00008	END CAP FOR 350 NP28	3
<i>FOR RHP TYPE BEARING BLOCKS</i>			
37	CBR00276	END CAP FOR UCPL20928	3
38	CCH00006	CHAIN KIT I2B 3/4 PITCH79LINK	1
39	CEL00017	MAGNET BLUE WHEEL	4
40	CMH00224	MAGNETSPACER	1
41	CFA00049	SETSCREW M6X50 Z/P	2
42	CFA00145	WASHERMUDWINGM632MMOD	2
43	CFA00131	NUT M6 NYLOC	2

No.	Part No	Description	Qty
-----	---------	-------------	-----

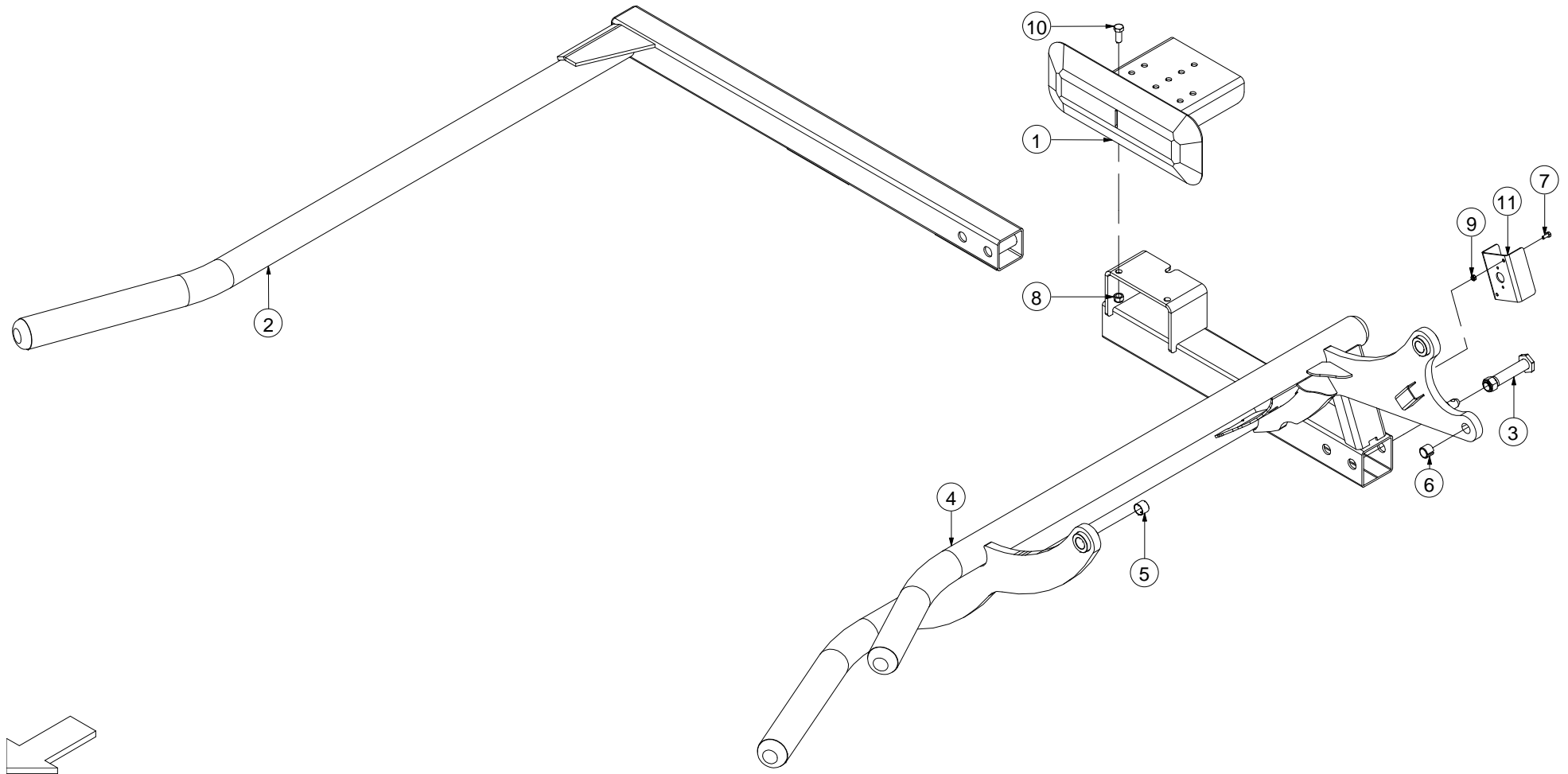
# Gearbox (236)



No.	Part No	Description	Qty
1	ACH00015	GEARBOXROUNDNEW	1
2	ACH00034	GEARBOX HOUSING ASSEMBLY	1
3	CMH00032	SEAL BLOCK WRAPPER GEARBOX	1
4	CBR00003	BEARING62I62RS	1
5	CMH00182	SHAFT 80X220 & KEYWAY	1
6	CBR00001	BEARING 6007 2R5	2
7	CMH00018	SHAFT 35X150 STEPPED &2X KWAYS	1
<i>991B/991L MACHINES PRIOR TO SERIAL NOs 59780/102810 &amp; ALL 991C MODELS MUST ALSO ORDER SHAFT CMH00021</i>			
8	CFA00009	ROLL PIN 8X40	1
9	CFA00006	ROLL PIN 5X40	1
10	CFA00011	ROLLPIN8X60	2
11	CFA00007	ROLLPIN5X60	2
12	ACH00031	KIT BEVEL GEARS	1
<i>KIT ALSO INCLUDES ITEMS [10,11] X2 [24] X1</i>			
13	CMH00064	SHIMGEARBOX	1
14	CSE00006	GASKET128XI58&6X8MMC.HOLES	1
15	CFA00213	SHIM5OX62XO.3	4
16	CFA00032	SETSCREWM12X3OZ/P	2
17	CFA00794	BOLTM16X90	6
18	CBR00002	BEARING62I52RS	1
19	CSE00001	SEAL GEARBOX 991	2
20	CZF00169	6MMLGEARBOXPLATE	1
21	CFA00045	SETSCREWM6XI6	6
22	CHY02001	ADAPTOR 3/8" BSP M/F	1
23	CFA00704	CIRCLIP75MMEXTERNALHEAVY	1
24	CFA00154	KEY8X7X25	1
26	CFA00002	CIRCLIP 62MM INTERNAL	2
27	CFA00128	NUTM16NYLOC	6
28	CMH01028	BUSH	6
29	ACH00029	KIT GEARBOX REPAIR	1
<i>NOT SHOWN. KIT INCLUDES ITEMS [4,5,8,9,14,23,24]X1 [10,11,19,26]X2 [XLU00014 GREASE]X1.</i>			

No.	Part No	Description	Qty
-----	---------	-------------	-----

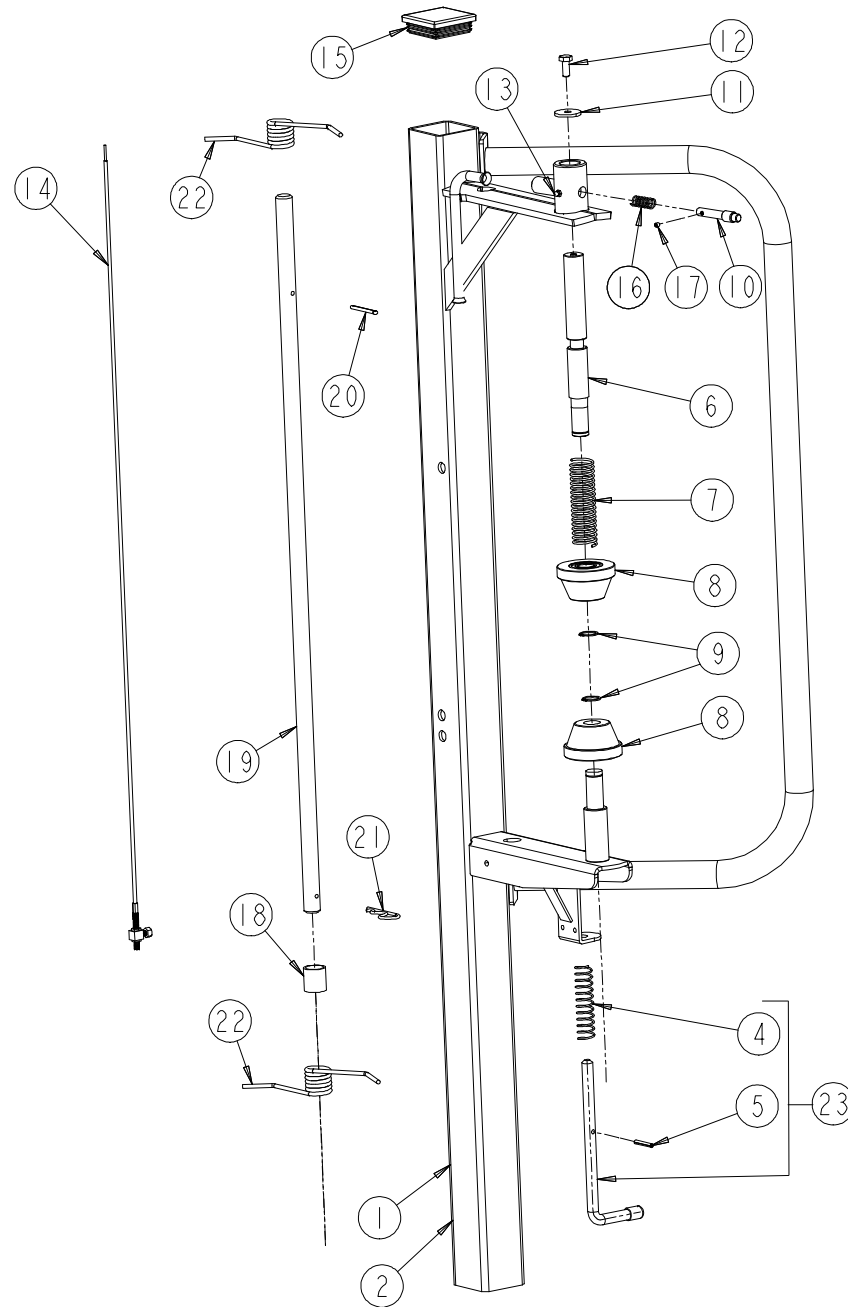
**Lift arm (237)**



No.	Part No	Description	Qty
0	ALA00012	LIFT ARM 991 ASSEMBLY 4FT	1
1	ALA00002	LIFTARM BALE STOP	1
2	ALA00004	LIFTARM SLIDE ARM	1
3	ALA00010	KIT PINS LIFTARM 991B	1
4	ALA00044	LIFT ARM (1200MM WIDE BALE)	1
5	CBR00007	BEARING GLACIER PM 3025 DX	4
6	CBR00014	BEARING TENSION 1" X 1/1/4" X 1"	1
7	CFA00052	SETSCREW M8X20 Z/P	2
8	CFA00128	NUT M16 NYLOC	3
9	CFA00132	NUT M8 NYLOC Z/P	2
10	CFA00151	SETSCREW M16X40 Z/P	3
11	CZD00116	4MM L TRAILED LIGHT BRACKET	1

No.	Part No	Description	Qty
-----	---------	-------------	-----

**Dispenser post (238)**

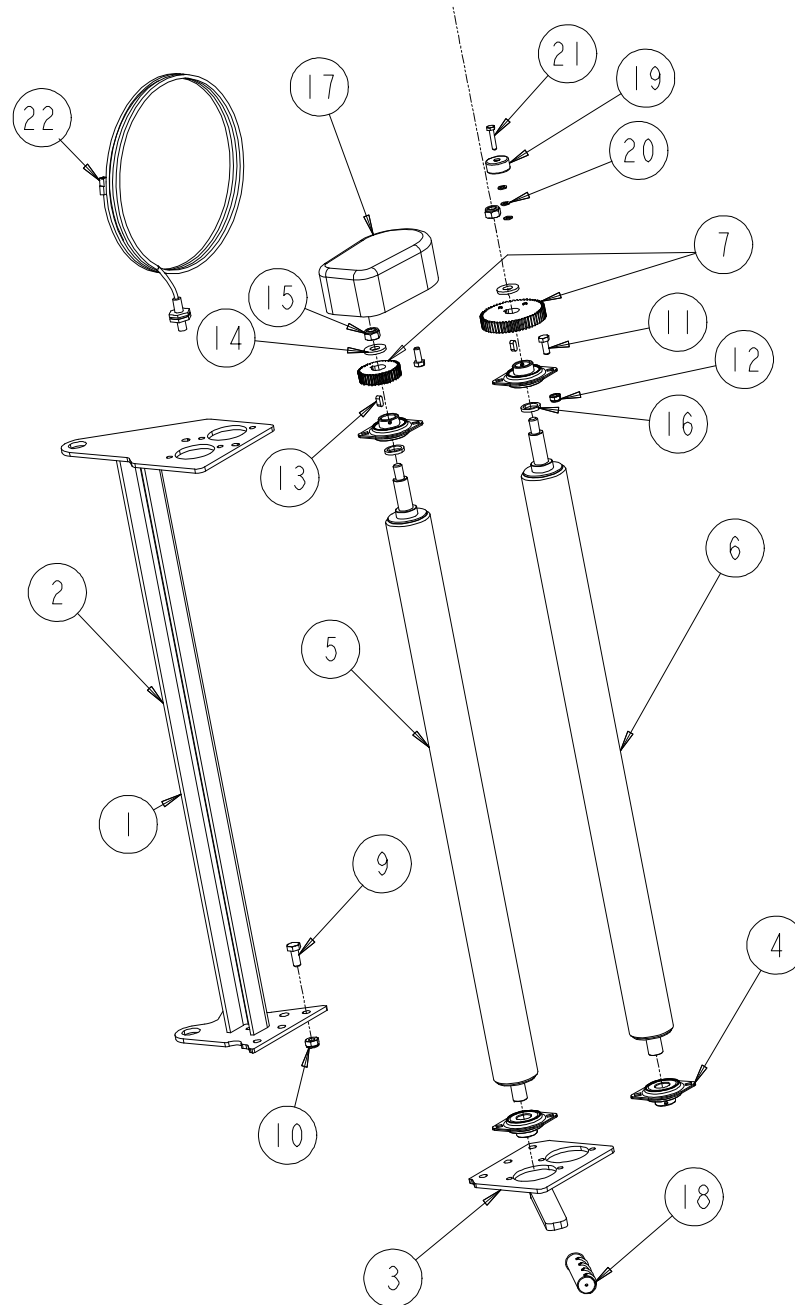




No.	Part No	Description	Qty
1	ADP00011	DISPENSER POST 991 ASY	1
2	ADP00062	DISPENSER POST WELD ASY.	1
4	CSG00039	SPRING COMP 2.15X 2IX I25X 14	1
5	CFA00073	ROLLPIN6X40	1
6	CMH00195	PIN 30X280 STEPPED ZIP	1
7	CSG00009	SPRING COMP 2.95X37XI97XI2	1
8	ADP00009	COIL ROLLER + BEARING DIS POST	2
9	CFA00001	CIRCLIP 25MM EXTERNAL ZIP	2
10	CMH00197	PIN I6X84 STEPPED Z/P	1
11	CZD00118	4MMLCUT&TIESPACER	1
12	CFA00024	SETSCREW M10X25 Z/P	1
13	CFA00118	GREASE NIPPLE M8XI.25 STRAIGHT	1
14	CFA00206	CABLE ROLLER RELEASE DISP/POST	1
15	CBC00003	CAP PLAS INSERT SQ 80X80	1
16	CSG00010	SPRING COMP I.625XI6X40X8	1
17	CFA00208	GRUBSCREWM6X6ZIP	1
18	CXT00104	TUBE 33.7X3X35	1
19	ADP00005	DISPENSER POST SHAFT	1
20	CFA00013	SPLITPIN5X5OZIP	1
21	CFA00004	R-CLIP 4MM	1
22	CSG00003	SPRING KIT [2 PER KIT]	1
23	ADP00114	LATCHKITFILMHOLDER	1

No.	Part No	Description	Qty
-----	---------	-------------	-----

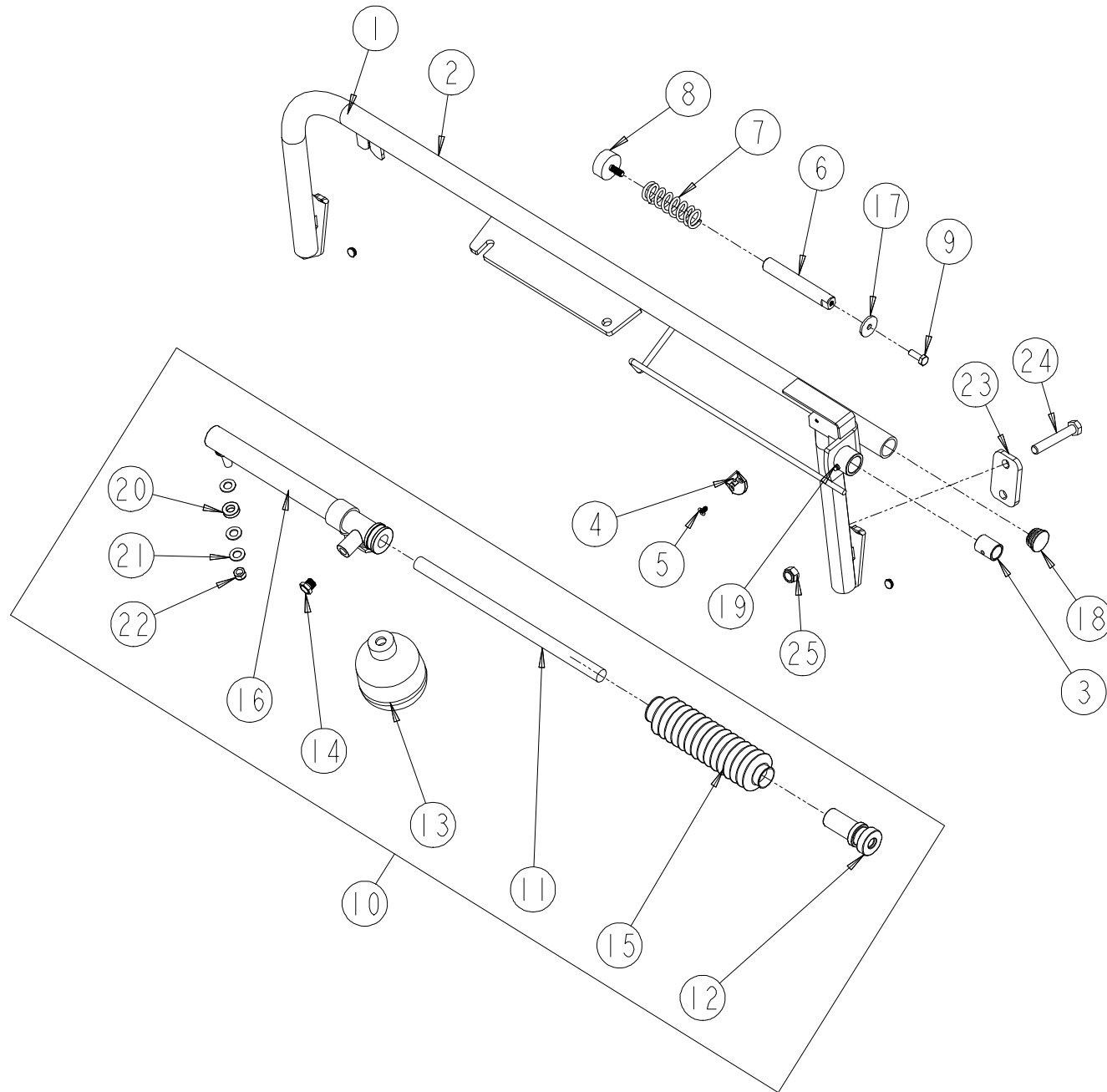
**Dispenser (239)**



No.	Part No	Description	Qty
1	ADP00015	FILM DISPENSER ASSEMBLY 750MM	1
2	ADP00010	DISPENSER FRAME WELD ASY.	1
3	ADP00004	DISPENSER BOTTOM PLATE	1
4	CBR00004	BEARING 20MM 2BOLT P/S FLANGE	4
5	CMH00034	ROLLER DISPENSER PRIMARY ALU	1
6	CMH00035	ROLLER DISPENSER SECONDARY ALU	1
7	ADP00018	KIT DISPENSER GEARS 70%	1
<i>70% STANDARD</i>			
7	ADP00019	KIT DISPENSER GEARS 55%	1
<i>55%</i>			
7	ADP00085	KIT DISPENSER GEARS 32%	1
<i>32%</i>			
9	CFA00024	SETSCREW M10X25 ZIP	3
10	CFA00123	NUT M10 NYLOC	3
11	CFA00052	SETSCREW M8X20 ZIP	10
12	CFA00132	NUT M8 NYLOC ZIP	8
13	CFA00153	KEY 6X6X1 5	2
14	CFA00139	WASHER FLAT 12MM H/D ZIP	2
15	CFA00124	NUT M12 NYLOC	2
16	CZD00114	4MM L DISPENSER SPACER	2
17	CGD00001	GUARD DISPENSER GEARS	1
18	CBC00012	CAP PLASTIC HANDGRIP 7/8	1
19	CEL00017	MAGNETBLUEWHEEL	1
20	CFA00144	WASHERFLAT6MMZIP	3
21	CFA00047	SETSCREW M6X30 ZIP	1
22	CEL00036	SENSORCABLE5M	1
<i>CEL00215 UNIVERSAL MAGNETIC SENSOR IS A SUITABLE REPLACEMENT FOR THIS PART. ALL McHALE MAGNETIC SEN</i>			

No.	Part No	Description	Qty
-----	---------	-------------	-----

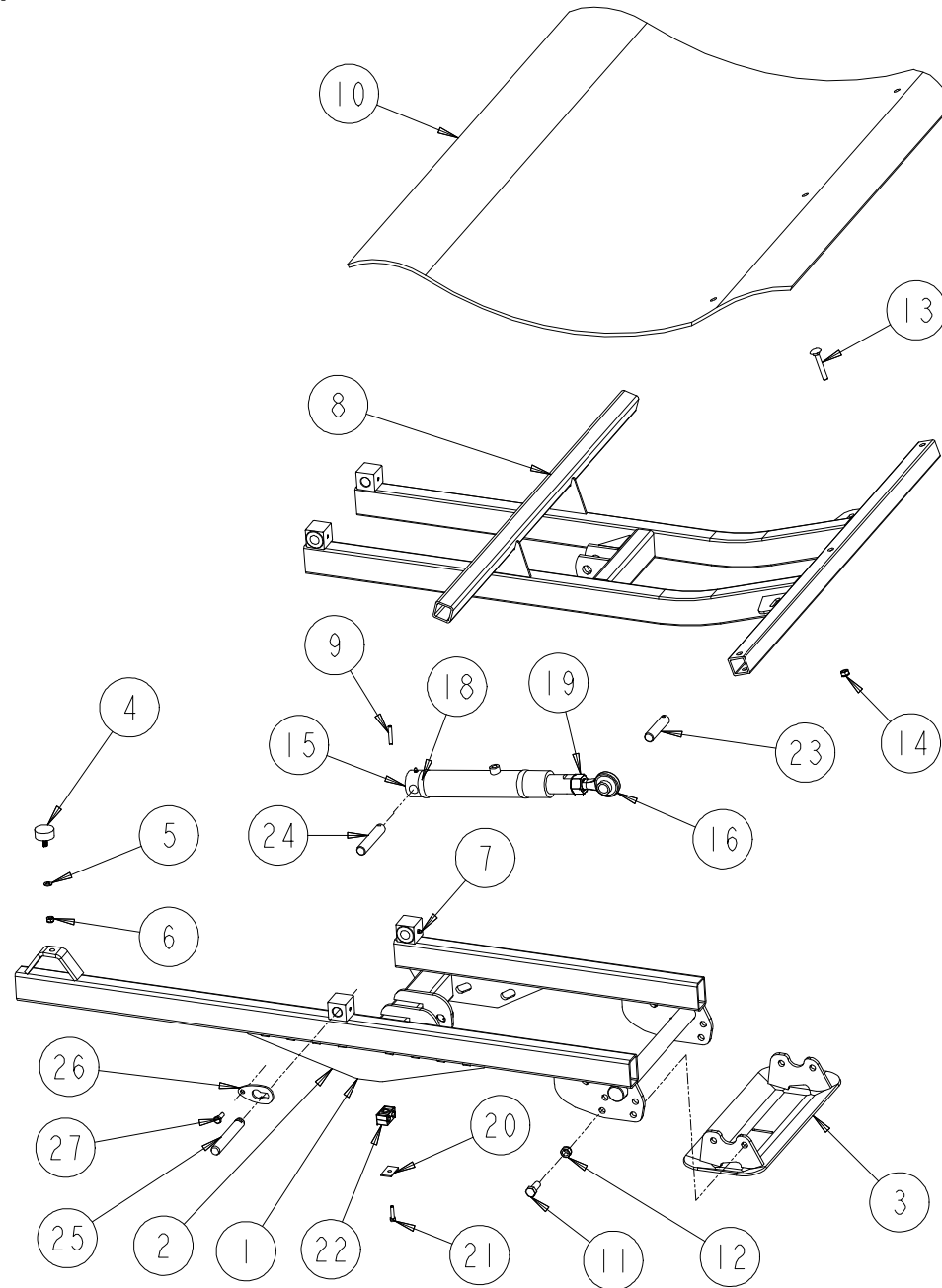
**Cut & Hold (240)**



No.	Part No	Description	Qty
1	ACT00006	CUT&HOLD 991 FULL ASSEMBLY	1
2	ACT00005	CUT&HOLDFRAME991	1
3	CBR00016	BEARINGOLITE25X32X40	1
4	CKN00001	KNIFE CUT& HOLD ASY	1
<i>REPLACED BY ACT00061 (Safet knife kit containing 5 blades)</i>			
4	ACT00061	KNIFE CUT& HOLD KIT ASY	1
<i>(Safety knife replacement kit containing 5 blades) REPLACES CKN00001</i>			
5	CFA00044	BOLTM6XI2CSK	2
6	CMH00023	PIN 25X159 C.PLUNGER C&T	1
7	CSG00004	SPRING COMP 4.88 X 36 X 150 X 10.250	1
8	CBE00002	BUFFER RUBBER 50X21 M10X28	1
9	CFA00025	SETSCREWM10X30	1
10	CRA00021	RAMCUT&HOLD32X20991B	1
11	CRA00107	RAM ROD CUT&HOLD 991	1
12	CRA40021	RAM ROD END CUT&HOLD	1
13	CVA03010	ACCUMULATOR 0.7 LITRE 30 BAR	1
14	CHY02004	PLUG 3/8 BSP MALE	1
15	CBE00006	GAITOR CUT&HOLD RUBBER	1
16	CSE00021	SEALKITCUT&HOLD	1
17	CZD00118	4MMLCUT&TIESPACER	1
18	CBC00005	CAPPLASTICINSERT42.4MMRND	1
19	CFA00118	GREASE NIPPLE M8XI.25 STRAIGHT	1
20	CMH00093	BUSH 14X30X8	1
21	CFA00222	WASHERFLAT 4MMZ/P	4
22	CFA00126	NUT M14 NYLOC	2
23	CZH00135	10MM L CUT & TIE	2
24	CFA00040	BOLT M16X100 ZIP	4
25	CFA00128	NUT M16 NYLOC	4

No.	Part No	Description	Qty
-----	---------	-------------	-----

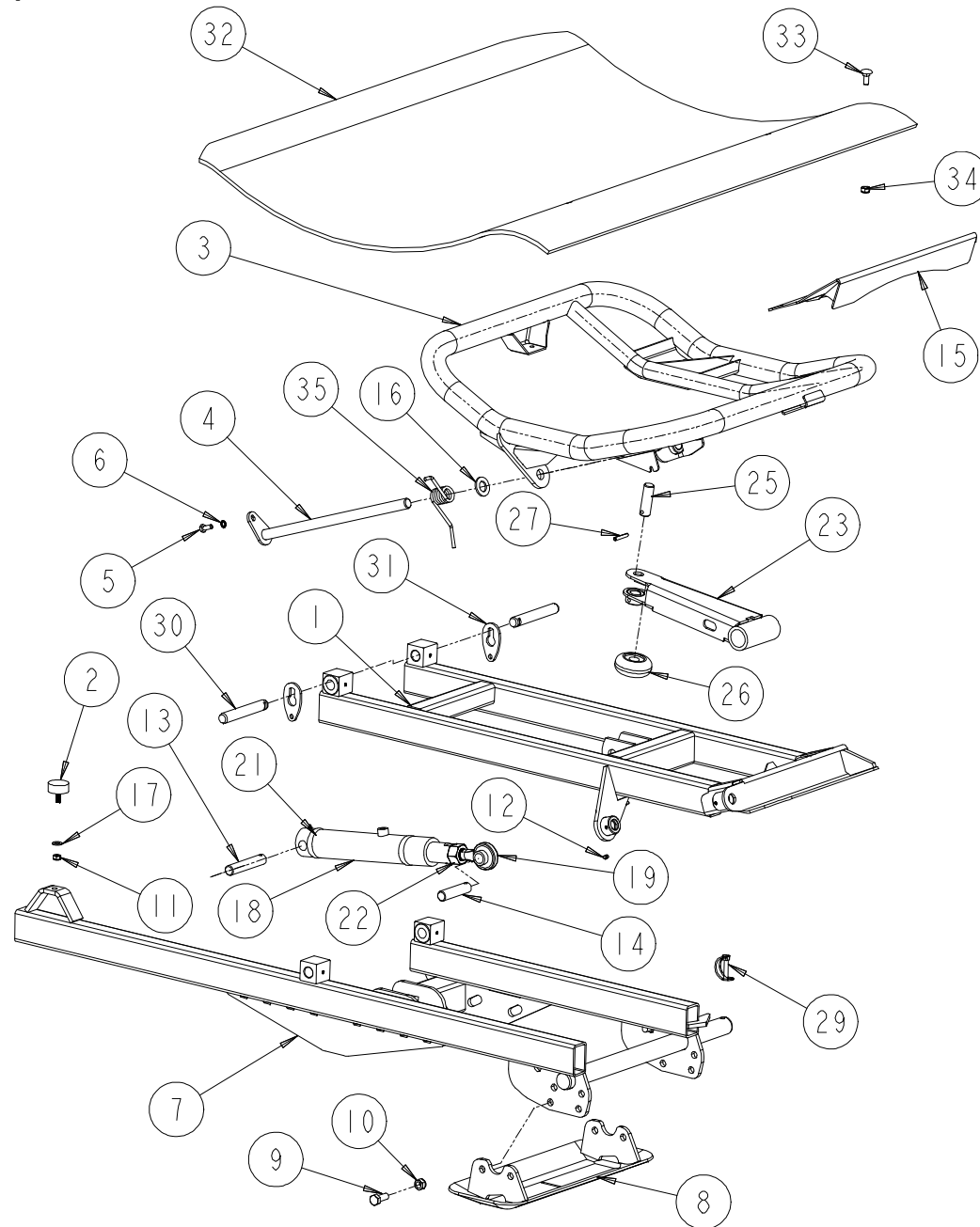
**Bale damper standard (241)**



No.	Part No	Description	Qty
1	ABD00003	BALE DAMPER STD FULL ASY	1
2	ABD00004	BALE DAMPER FRAME	1
3	ABD00001	BALE DAMPER SLIDE	1
4	CBE00002	BUFFER RUBBER 50X21 M10X28	1
5	CFA00201	WASHERFLATIONMZ/P	1
6	CFA00123	NUT MI 0 NYLOC	1
7	CFA00118	GREASENIPPLEM8XI.25STRAIGHT	4
8	ABD00005	MAT FRAME STANDARD	1
9	CFA00010	ROLL PIN 8X50 ZIP	2
10	CBE00001	MAT STANDARD BALE DAMPER	1
11	CFA00151	SETSCREW MI6X40 ZIP	4
12	CFA00128	NUT M16 NYLOC	4
13	CFA00037	BOLTM12X80CUPHEADZIP	3
14	CFA00124	NUT M12 NYLOC	3
15	CRA00038	RAM BALE DROPPER 50MM PLUNGER	1
16	CRA01038	RAM TOP - ADJUSTABLE	1
17	CFA00118	GREASE NIPPLE M8XI.25 STRAIGHT	1
18	CSE00038	SEAL KIT BALE DAMPER RAM	1
19	CRA00138	NUTRAMRODBALEDROPPER	1
20	CFA00183	HOSE CLAMP COVER PLATE 14MM	1
21	CFA00055	BOLTM8X35ZIP	1
22	CFA00182	HOSE CLAMP 16MM	1
23	CMH00184	PIN 25XIIO&8MM C.HOLE Z/P	1
24	CMH00066	PIN 25XI35&8MM C.HOLE	1
25	CMH00403	PIN25XI7OZIPMILLEDFORCAP	2
26	CZF00292	6MM L CAP LONG FOR 25MM PINS	2
27	CFA00230	SETSCREWMIOX3OZIP	2
28	CFA00123	NUT MI 0 NYLOC	2

No.	Part No	Description	Qty
-----	---------	-------------	-----

**Bale damper side tip (242)**

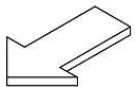
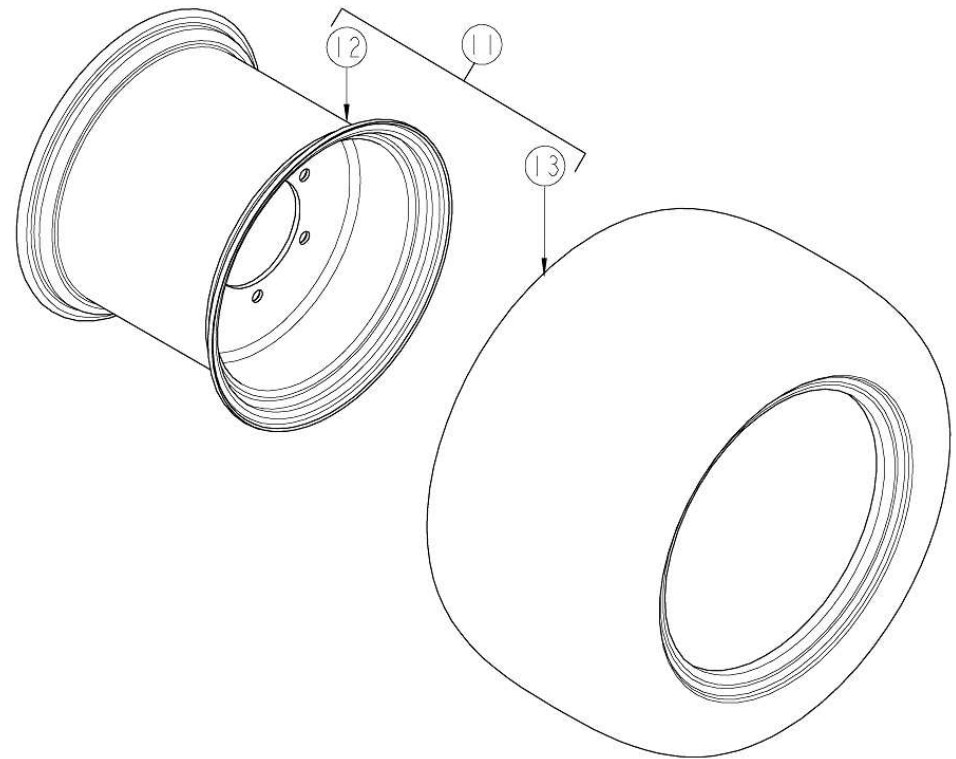
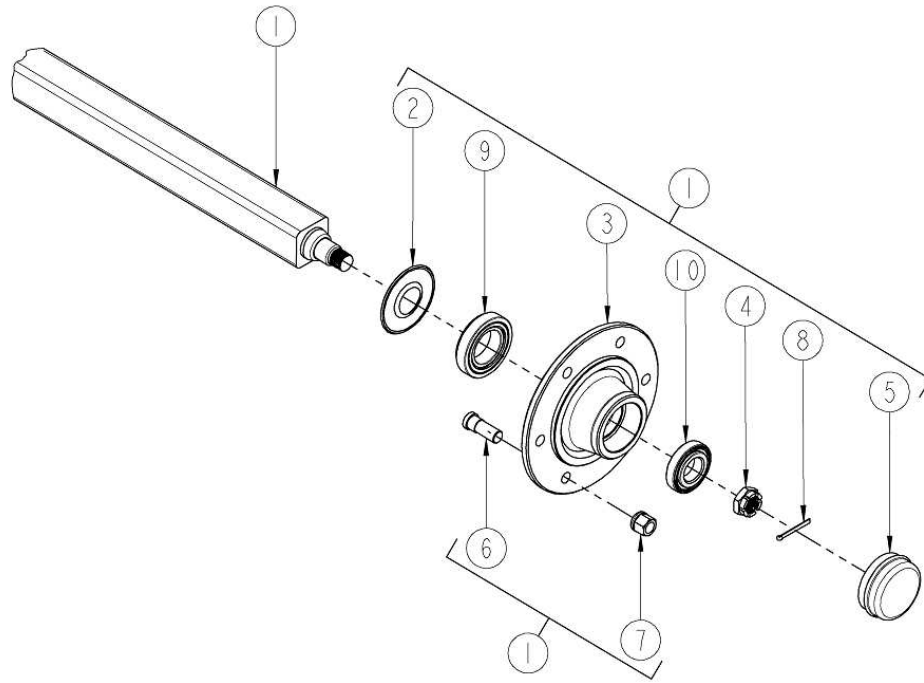




No.	Part No	Description	Qty
1	ABD00007	SIDE TIP MAT FRAME	1
2	CBE00002	BUFFER RUBBER 50X21 M10X28	3
3	ABD00013	SIDETIPPIPEASSY	1
4	ABD00015	SIDE TIP PIVOT PIN ASSEMBLY	1
5	CFA00024	SETSCREW M10X25 ZIP	1
6	CFA00137	WASHER SPRING 10MM H.D ZIP	1
7	ABD00008	SIDE TIP DAMPER FRAME	1
8	ABD00001	BALE DAMPER SLIDE	1
9	CFA00151	SETSCREW MI 6X40 Z/P	4
10	CFA00128	NUT M6 NYLOC	4
11	CFA00123	NUT M10 NYLOC	3
12	CFA00118	GREASE NIPPLE M8X1.25 STRAIGHT	6
13	CMH00066	PIN 25X135&8MM C.HOLE	1
14	CMH00095	PIN 25X106&8MM C.HOLE	1
15	ABD00021	SIDE TIP EXTENSION	1
16	CFA00135	WASHERFLATZIP	2
17	CFA00138	WASHERFLAT12MMZ/P	2
18	CRA00038	RAM BALE DROPPER 50MM PLUNGER	1
19	CRA01038	RAM TOP - ADJUSTABLE	1
20	CFA00118	GREASENIPPLEM8X1.25STRAIGHT	1
21	CSE00038	SEAL KIT BALE DAMPER RAM	1
22	CRA00138	NUT RAM ROD BALE DROPPER	1
23	ABD00009	SIDE TIP ARM ASY	1
25	CMH00152	PIN 25X80&8MM C.HOLE	1
26	CMH00063	BUSH 25X90X39 STEPPED PLASTIC	1
27	CFA00010	ROLL PIN 8X50 Z/P	1
28	CFA00135	WASHERFLATZIP	2
29	CFA00194	LINCH PIN PIPE IOMMX50MM	1
30	CMH00403	PIN25X17OZIPMILLEDFORCAP	2
31	CZF00292	6MM L CAP LONG FOR 25MM PINS	2
32	CBE00009	MAT SIDE TIP BALE DAMPER	1
33	CFA00078	SETSCREW M12X30 CUP SQ Z/P	2
34	CFA00124	NUT M12 NYLOC	2
35	CSG00020	SPRING TOR 7.62X42X42X6	1

No.	Part No	Description	Qty
-----	---------	-------------	-----

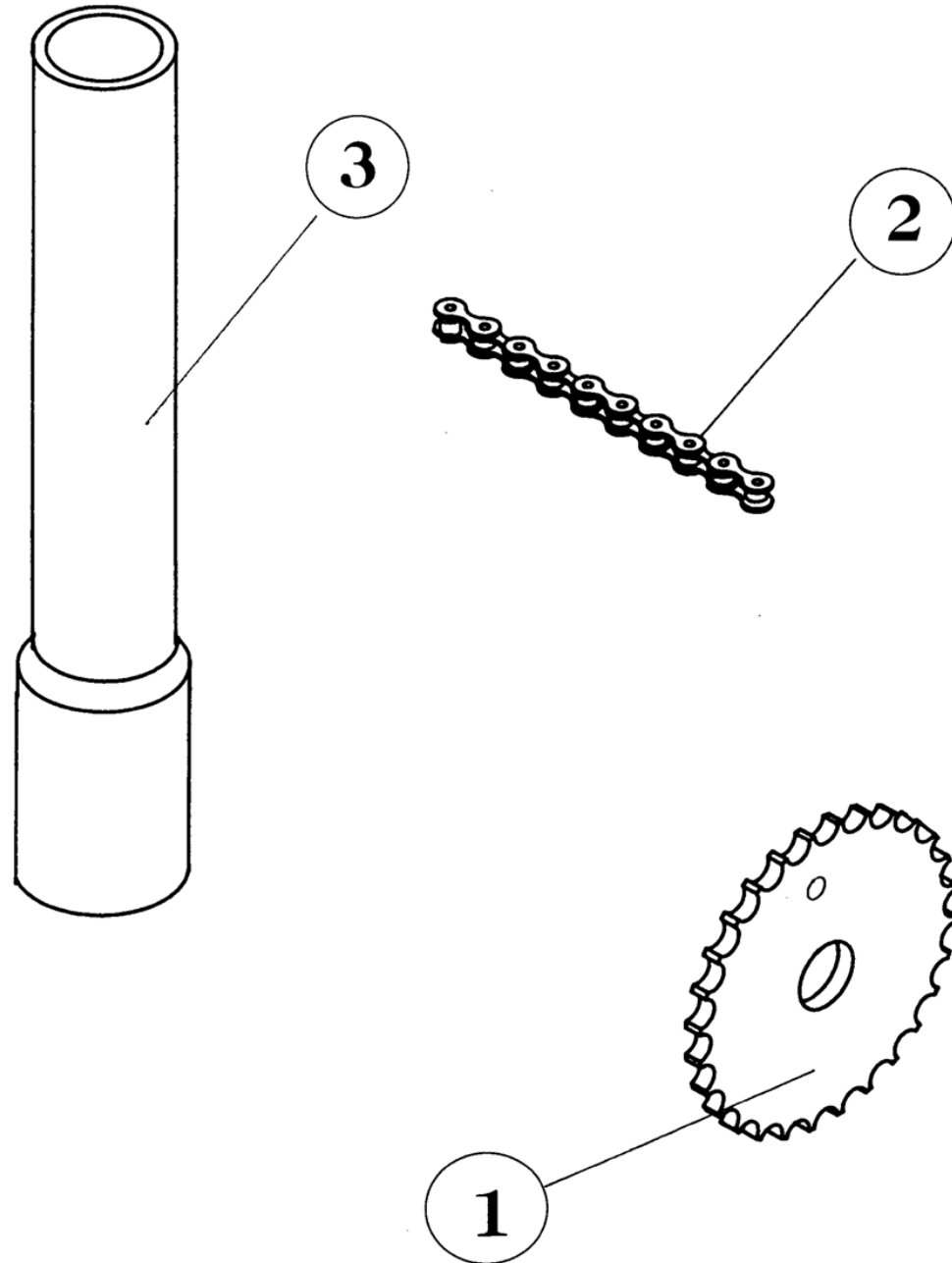
# Axle & Wheels (243)



No. Part No	Description	Qty
1 CAX00002	AXLE 60MM 6 STUD 1900MM	1
<i>INCLUDES ITEMS 2 THROUGH 10</i>		
2 CSE00079	SEAL AXLE HUB 6 STUD	2
3 CAX00009	HUB 6 STUD 991 FAD	2
<i>FAD AXLE</i>		
3 CAX00168	HUB 6 STUD 991 TVZ	2
<i>TVZ AXLE</i>		
4 CAX00010	NUT CASTLE 6 STUD 991 FAD	12
<i>FAD AXLE</i>		
4 CAX00169	NUT CASTLE M30X1.5 6 STUD 991 TVZ	12
<i>TVZ AXLE</i>		
5 CAX00011	HUB CAP 6 STUD 991 FAD	2
<i>FAD AXLE</i>		
5 CAX00170	HUB CAP 6 STUD 991 TVZ	2
<i>TVZ AXLE</i>		
6 CFA00235	WHEEL STUD M18X1.5	12
7 CFA00121	NUT WHEEL M18X1.5 STUD AXLE	12
8 CFA00013	SPLIT PIN <50Z/P	2
<i>FAD AXLE</i>		
8 CFA00999	SPRING PIN M30 NUT 991 TVZ	2
<i>TVZ AXLE</i>		
9 CBR00028	BEARING 30210	2
9a CBR00306	NILOS SEAL FOR BEARING 30210	2
<i>IF FITTED</i>		
10 CBR00027	BEARING 30207	2
10a CBR00307	NILOS SEAL FOR BEARING 30207	2
<i>IF FITTED</i>		
11 CWH00022	WHEEL ASSEMBLY 340/55-16 FLOTATION+	2
11 CWH00009	WHEEL ASSEMBLY 31 X 15.5 SIX STUD	2
12 CWH00048	RIM 16X11 SIX STUD	2
12 CWH00018	RIM 15 X 13 SIX STUD	2
13 CWH00047	TYRE 340/55-16 FLOTATION+	2
13 CWH00004	TYRE 31X15.5-15	2

No. Part No	Description	Qty
-------------	-------------	-----

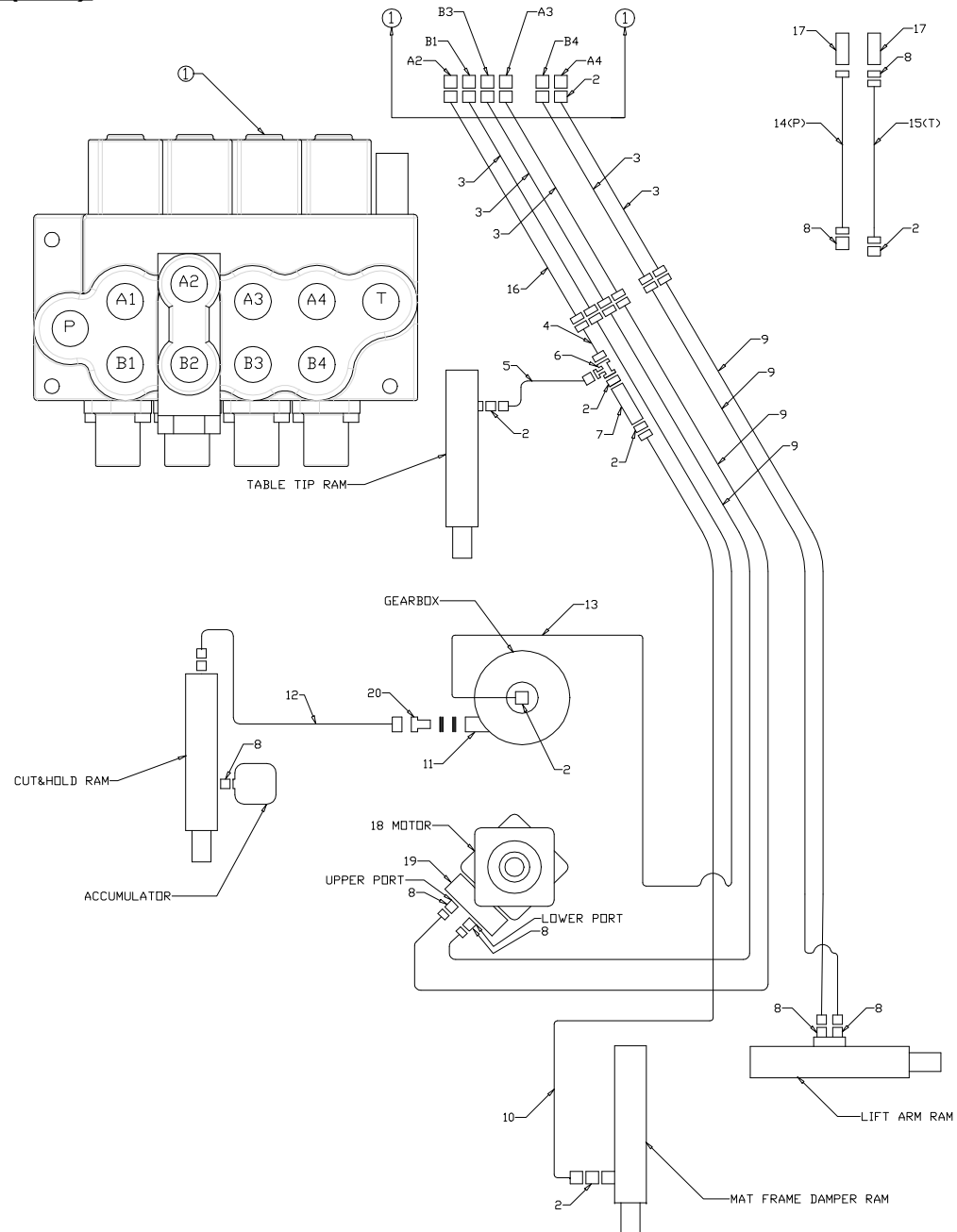
**500mm conversion kit (244)**



No.	Part No	Description	Qty
0	ADP00022	500mm CONVERSION KIT	1
1	CMH00058	SPROCKET 45 TOOTH	1
2	CCH00001	CHAIN EXT. PIECE 12B 34 Pitch 9 Link	1
3	CPL00006	PLASTIC PIPE	1

No.	Part No	Description	Qty
-----	---------	-------------	-----

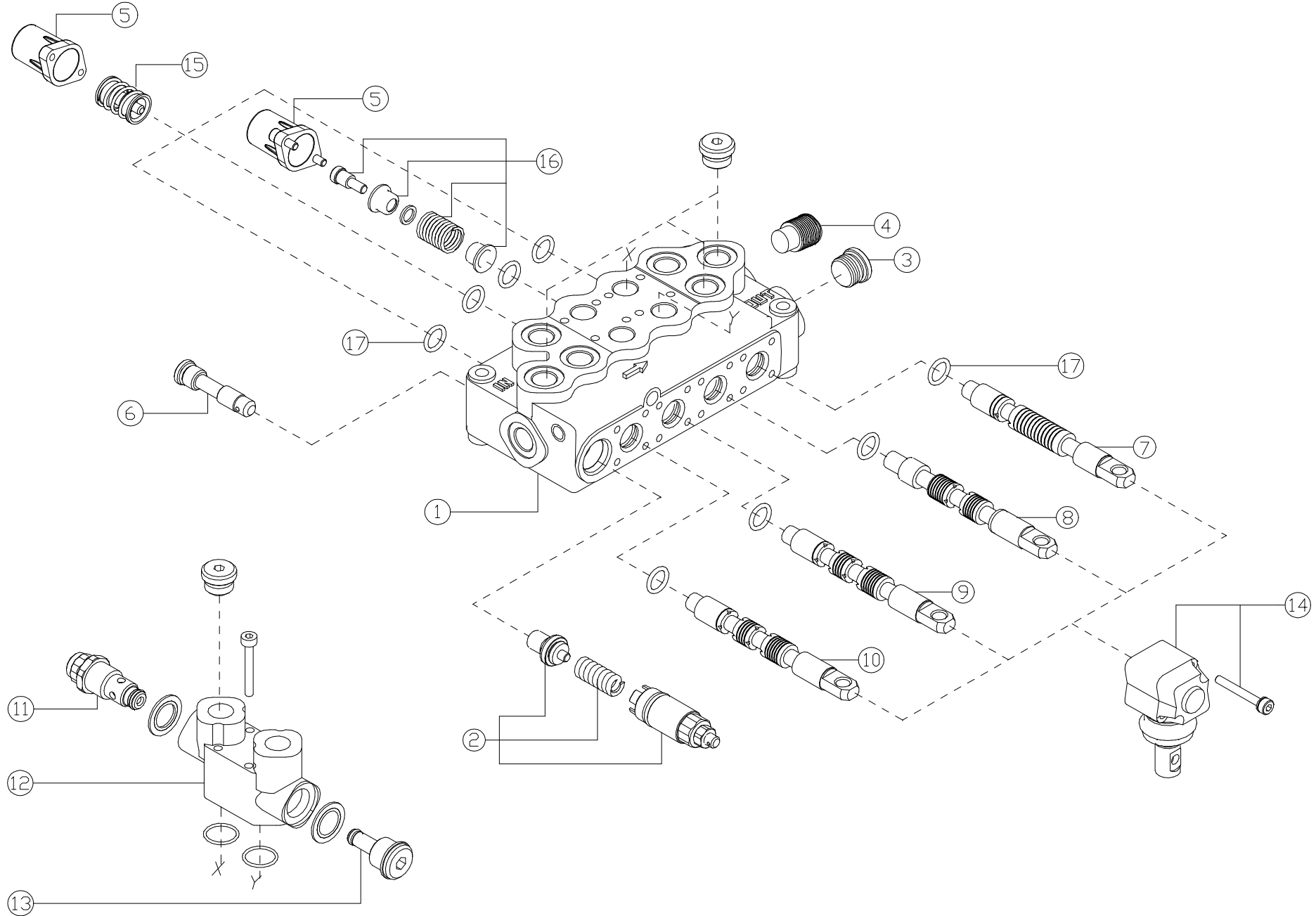
# Hydraulic assembly 991B (245)



No.	Part No	Description	Qty
1	CVA00003	VALVE CTL 4BANK MAN TRAILED	1
2	CHY02002	ADAPTOR 318 BSP M-M	14
3	CHY00078	HOSE HYD 318X2670 FIM ST	5
4	CHY00084	HOSE 318X930 FIST FIST	1
5	CHY00086	HOSE 318X510 FIST 90	1
6	CHY02097	T PIECE 318 M-M-F	1
7	CVA03007	VALVE RESTRICTOR 318	1
8	CHY02008	ADAPTOR 112 M 318 M	7
9	CHY00082	HOSE 318 X3210 FIST 90	4
10	CHY00085	H05E318X2540F15T90	1
11	CHY02098	ADAPTOR 318 BSP M-F	1
12	CHY00087	HOSE 318X1220 BANJO 90	1
13	CHY00083	HOSE 318X4000 FIST 90	1
14	CHY00081	HOSE HYD 112X1370 M ST 90	1
15	CHY00080	HOSE HYD 318X1370 F ST 90	1
16	CHY00079	HOSE HYD 318X2600 FIM ST	1
17	CHY02015	QR 112♠ MALE PARKER 7814G4X4	2
18	CMT00002	MOTOR 250CC 4BOLT I 114TAPER	1
19	CVA00011	VALVE RELIEF CL OMSIOO&I3OBAR	1
20	CHY00098	ADAPTOR 318 BANJO BOLT	1

No.	Part No	Description	Qty
-----	---------	-------------	-----

# Hydraulic control valve 991B (246)

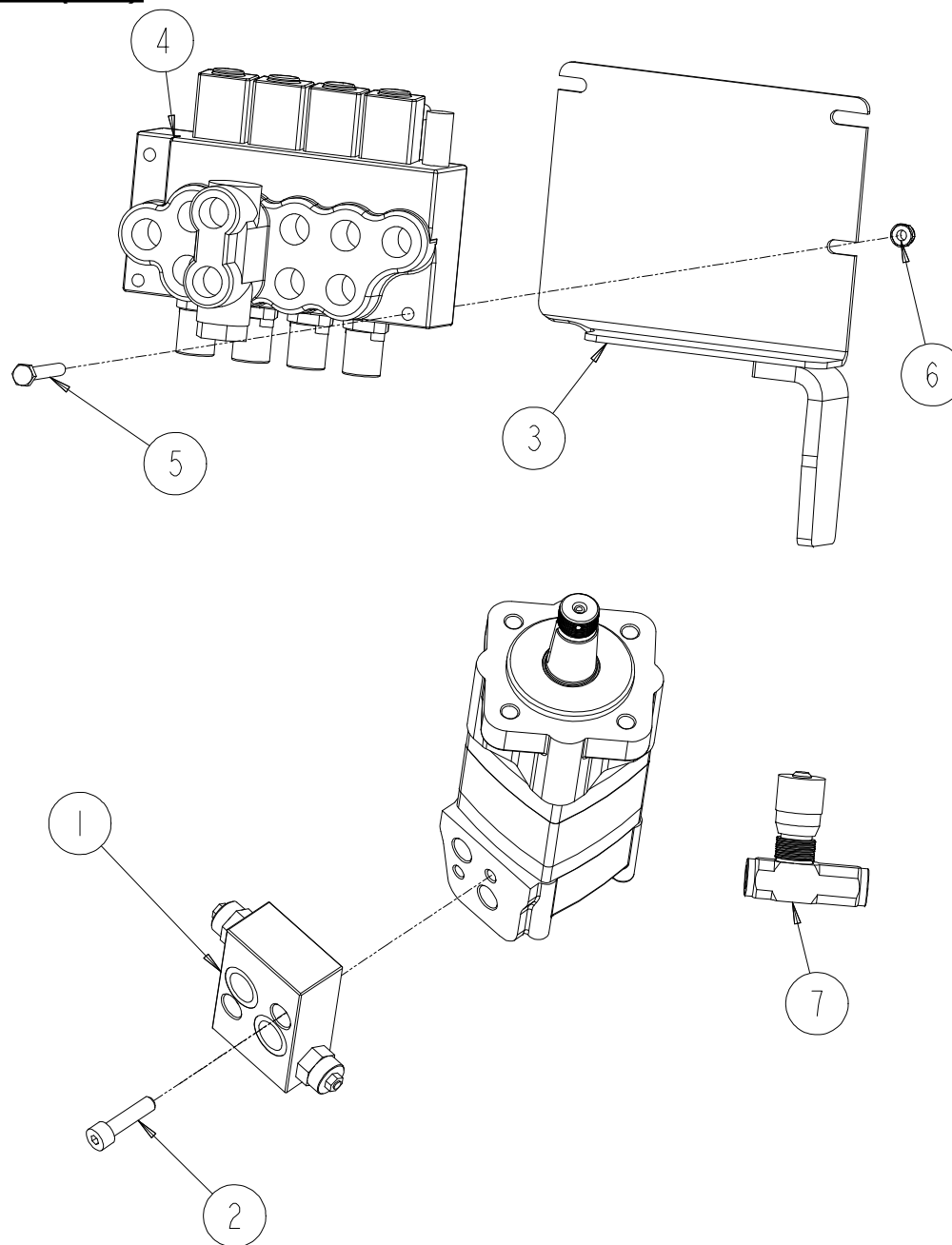




No.	Part No	Description	Qty
	CVA00003	VALVE 4 BANK MANUAL 991 B	1
1	CVA00232	5D514-PIBSPIPT(s2-3) BODY	1
2	CVA00043	RELIEF VALVE FOR 5D5 VALVE	1
3	CVA06003	OPEN CENTRE PLUG MANUAL VALVE	1
4	CVA06001	CLOSEDCENTREPLUG	1
5	CVA00044	SPOOLENDCAPSD5	1
6	CVA00219	VRISD5 KIT	1
7	CVA00208	SPOOL CUT & HOLD 991B	1
8	CVA00209	SPOOL TABLE TIP 991B	1
9	CVA00210	SPOOLTABLEMOTOR991B	1
10	CVA00106	SPOOLLIFTARM991B	1
11	CVA00223	P(G4-200)15D5-SDI I CARTRIDGE	1
12	CVA00222	P3 5D5 BSP 318 BODY	1
13	CVA00224	P3TISD5-SDII REPLACING PLUG	1
14	CVA00023	LEVER PIVOT BOX 5D5 M8	4
15	CVA00233	SPOOLSPRINGKIT	3
16	CVA00234	SPOOLSPRINGKIT	1
17	CSE00064	SEAL KIT 4 BANK MANUAL VALVE	1

No.	Part No	Description	Qty
-----	---------	-------------	-----

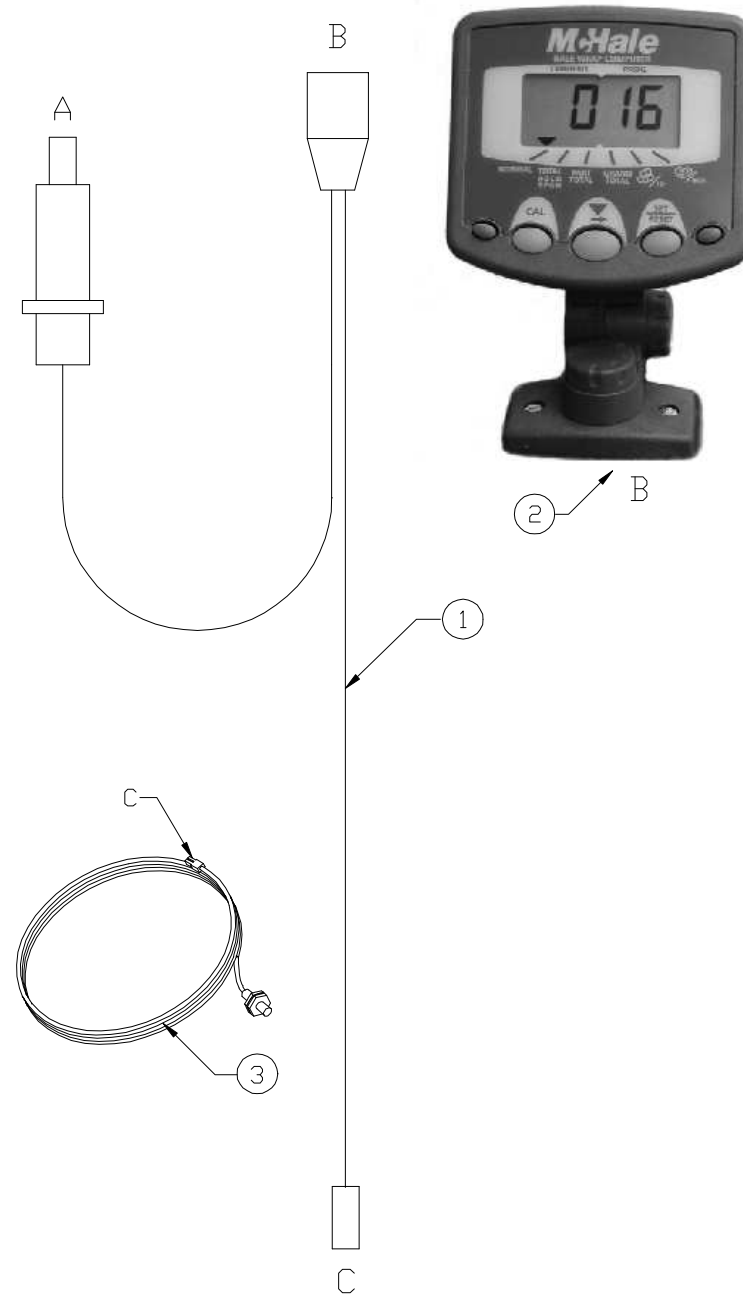
**Hydraulic components 991B (247)**



No.	Part No	Description	Qty
1	CVA00011	VALVE RELIEF CL OMSIOO&I3OBAR	1
2	CFA00179	BOLT M10 X 40 SOC CAP	2
3	ACH00004	PLATE MANUAL VALVE	1
4	CVA00003	VALVE CTL 4BANK MAN TRAILED	1
5	CFA00056	BOLT M8X65 ZIP	2
6	CFA00132	NUT M8 NYLOC ZIP	2
7	CVA03007	VALVERELECTRICOR3/8	1

No.	Part No	Description	Qty
-----	---------	-------------	-----

**Electrical 991B (248)**



No.	Part No	Description	Qty
1	CEL00187	LOOM WIZZARD 99IB A CONNECTS TO TRACTOR POWER SUPPLY	1
2	CEL00174	CPTR WIZARD BWC	1
3	CEL00036	SENSOR CABLE 5M	1

No.	Part No	Description	Qty
-----	---------	-------------	-----



No.	Part No	Description	Qty
1	CVA00009	VALVE CTL 4 BANK ELECTRONIC	1
2	CVA02999	VALVE NON RET 112 O.5BAR	1
3	CHY02013	ADAPTOR 112 BSP MIM	1
4	CHY02002	ADAPTOR 318 BSP M-M	14
5	CHY00084	HOSE 318X930 FIST FIST	1
6	CHY00086	HOSE 318X510 FIST 90	1
7	CHY02097	T PIECE 318 M-M-F	1
8	CVA03007	VALVE RESTRICTOR 318	1
9	CHY02008	ADAPTOR 112 M 318 M	7
10	CHY00082	HOSE 318 X3210 FIST 90	4
11	CHY00085	H05E318X2540F15T90	1
12	CHY02098	ADAPTOR 318 BSP M-F	1
13	CHY00087	HOSE 318X1220 BANJO 90	1
14	CHY00083	HOSE 318X4000 FIST 90	1
15	CHY00089	HOSE 112X2400 M 90	1
16	CHY00088	HOSE 318X2500 FIST BANJO	1
17	CHY02015	QR 112♠ MALE PARKER 7814G4X4	2
18	CMT00002	MOTOR 250CC 4BOLT I 114TAPERE	1
19	CVA03000	VALVE BLOCK SLOW SPEED DANFOSS	1
20	CHY00098	ADAPTOR 318 BANJO BOLT	1
21	CHY00098	ADAPTOR 318 BANJO BOLT	1
<i>UP TO SERIAL NO. 58919.</i>			
21	CHY02625	BANJO BOLT 3/8"-1/4" FEMALE	1
<i>FROM SERIAL NO. 58920.</i>			

No.	Part No	Description	Qty
-----	---------	-------------	-----

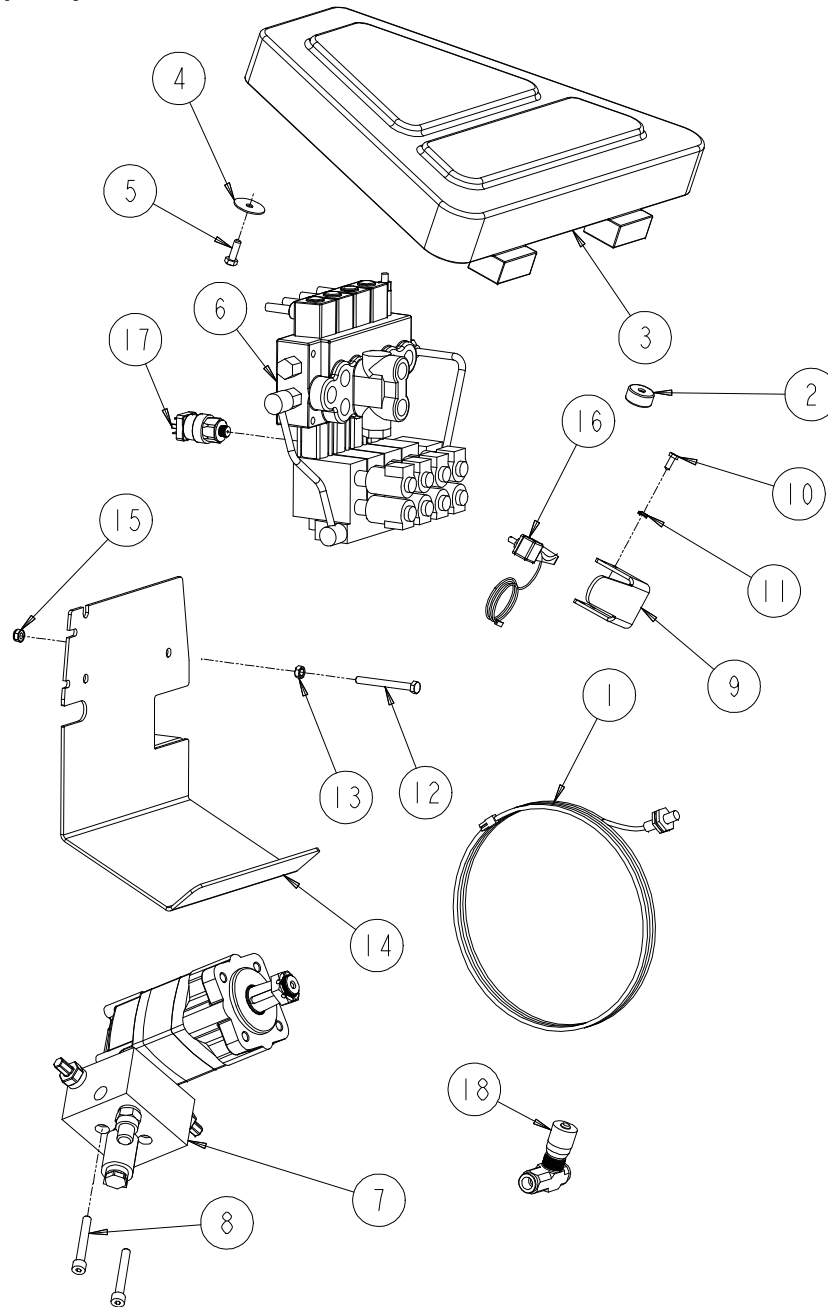




No.	Part No	Description	Qty
0	CVA00009	VALVE CTL 4 BANK ELECTRONIC 1	1
1	CVA00215	SD5 VALVE BLOCK	1
2	CVA00045	CTE+SOLENOID ELEC VALVE	8
2a	CVA00235	12VDC COIL SOLENOID	1
3	CVA00046	VALVE BLOCK SOLENOID ELEC	4
4	CVA00043	VALVE RELIEF FOR SD5	1
5	CVA00023	LEVER PIVOT BOX 5D5 M8	4
6	CVA00593	SERVO MANIFOLD ASY	1
7	CVA00342	SPOOL TIP 991BE TWIN	1
8	CVA00106	SPOOL SD5 DBL ACTING	3
9	CVA00047	ALU MANIFOLD ELEC CTL VALVE	1
10	CVA00216	T/KE-SD5IPSA-PIPE	1
11	CVA00217	P/KE-SD5IPSA-PIPE	1
12	CVA06004	PLUG OPEN CTR ELEC VALVE	1
12a	CVA06001	PLUG CLOSE CTR	1
<i>USE ONLY ON CLOSED CENTRE HYD SYSTEMS - NOT PART OF ASY - MUST ORDER SEPARATELY</i>			
13	CVA00591	ADAPTOR G 3/8 STEM	1
14	CHY02020	ADAPTOR 1/4" BANJO ASY	4
15	CVA00218	G3/8"- G1/4" ADAPTOR	2
16	CVA00219	VR SD5 KIT CHECK	1
17	CVA00220	PRESSURE CONTROL BLOCK	1
18	CVA00176	PLUG BSP 1/4"	3
19	CFA00911	M5X25 SOC CAP SCREW	10
20	CVA00222	P3 SD5 BSP 3/8 BODY	1
21	CVA00223	P(G4-200)/SD5-SD11 CARTRIDGE	1
22	CVA00224	P3T/SD5-SD11 REPLACING PLUG	1
23	CVA00225	M5X45-12.9 UNI-5931 SOC CAP SCREW	4
24	CVA00211	RELIEF VALVE BLOCK ASY	1
25	CVA00226	PISTON SD5 SERVO	4
26	CVA00227	SEAL GLAND SD5 SERVO	4
27	CSE00065	SEAL KIT 4 BANK ELEC	4
28	CVA00228	SPACER SD5 SERVO	4
29	CVA00229	ROD SD5 SERVO	4
30	CVA00230	CONNECTING ROD 5D5 SERVO	4
31	CFA00566	WASHER 5D5 SERVO	4
32	CSG00043	SPRING SD5 SERVO	4
33	CVA00231	CUP SD5 SERVO	4
34	CFA00567	M5XIOO_8.8 UNI 5931 SCREW	16
35	CFA00568	M6x4.5-Fc=I SCREW	4
36	CVA00089	ELECTRIC SERVO SD5 B	4
37	CVA00590	PO CHECK ASM VBP5	1
38	CFA00254	M5X40 SOC CAP SCREW	4
39	CVA00589	VBP5 CHECK VALVE	1
40	CVA03009	VALVE DUMP 60 BAR	1
<i>NOT PART OF ASSEMBLY - MUST ORDER SEPARATELY</i>			
41	CHY02010	ADAPTOR 1/4" BSP	1
<i>NOT PART OF ASSEMBLY - MUST ORDER SEPARATELY</i>			
42	CHY00015	WASHER DOWTY 1/4"	2
<i>NOT PART OF ASSEMBLY - MUST ORDER SEPARATELY</i>			

No.	Part No	Description	Qty
-----	---------	-------------	-----

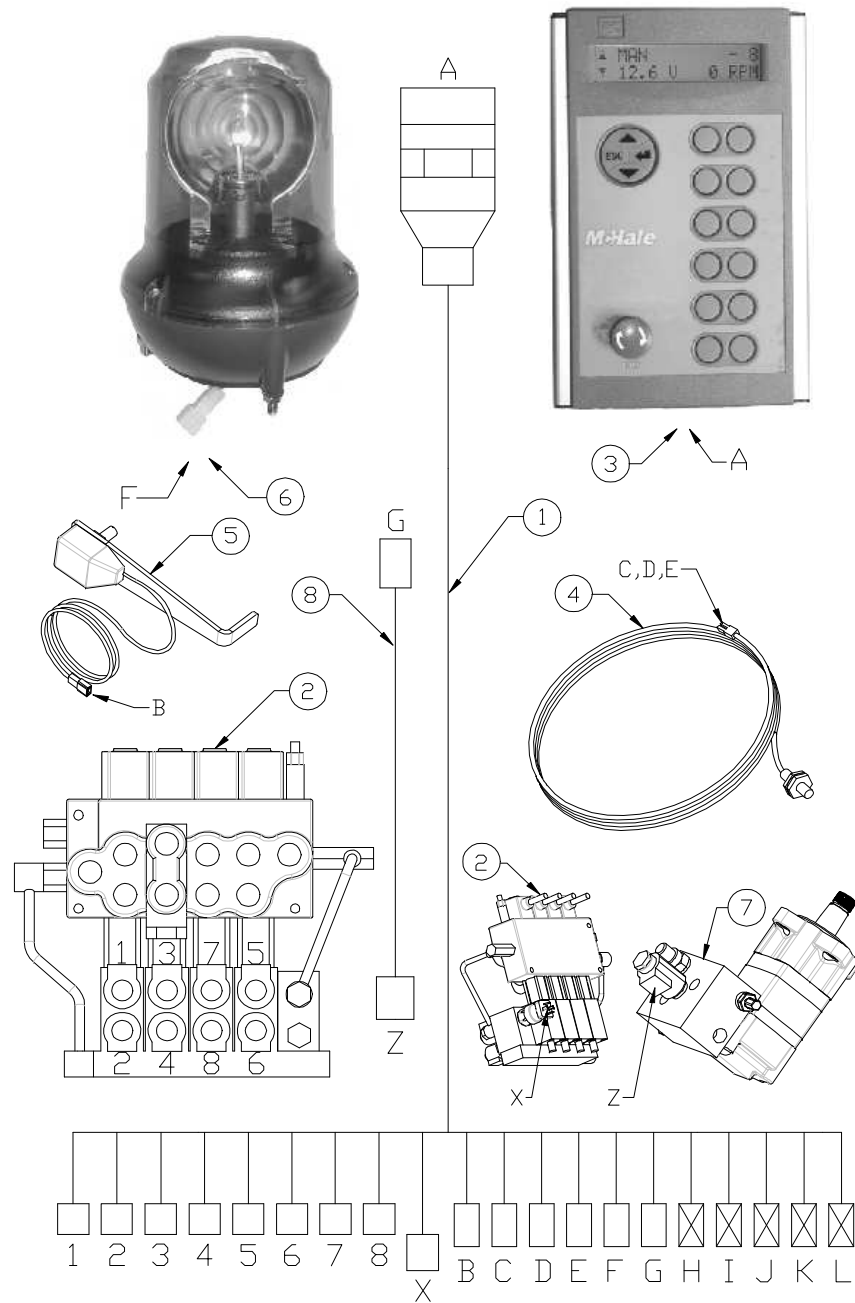
**Hydraulic components 991BE (251)**



No.	Part No	Description	Qty
1	CEL00036	SENSORCABLE5M	1
2	CEL00017	MAGNETBLUEWHEEL	4
3	CPL00021	VALVE COVER 991 BE PLAS	1
4	CFA00149	WASHER MUDWING M8 38MM OD	1
5	CFA00407	BOLTM8X25ZIP	1
6	CVA00009	VALVE CTL 4 BANK ELECTRONIC	1
7	CVA03000	VALVEBLOCKSLOWSPEEDDANFOSS	1
8	CFA00029	BOLT MIOX70 SOC CAP ZIP	2
9	CZD02137	4mm L LIFTARM SENSOR BRACKET	1
10	CFA00454	SETSCREW M6 X I 6 ZIP	4
11	CFA00396	WASHERSPRINGM6ZIP	4
12	CFA00057	SETSCREWM8X8OZIP	3
13	CFA00133	NUTM8Z/P	3
14	ACH00012	GUARD VALVE PROTECTION ELEC	1
15	CFA001 32	NUT M8 NYLOC Z/P	3
16	CEL00164	POTENTIOMETER 991 LIFTARM	1
17	CEL00008	SWITCH PRESSURE 2000PS	1
18	CVA03007	VALVE RESTRICTOR 3/8	1

No.	Part No	Description	Qty
-----	---------	-------------	-----

**Electrical 991BE (252)**



No.	Part No	Description	Qty
1	CEL00087	LOOM AUTO ELECTRONIC 37 PIN	1
1a	CEL00003	LOOM AUTO ELECTRONIC BALEWRAP	1
<i>THIS IS USED WITH OLD TOGGLE-SWITCH 24 PIN AUTO CONTROL-BOX (PRE-EXPERT)</i>			
1b	CEL00658	991 AUTO EXPERT ADAPTOR	1
<i>THIS IS USED TO ADAPT OLDER MACHINES (WITH 24 PIN CONNECTOR) TO USE THE (37 PIN) EXPERT CONTROL BOX (I</i>			
2	CVA00009	VALVE CTL 4 BANK ELECTRONIC	1
3	CEL00071	CTLR AUTO EXPERT TRAILED	1
4	CEL00036	SENSOR CABLE 5M	3
<i>CEL00215 UNIVERSAL MAGNETIC SENSOR IS A SUITABLE REPLACEMENT FOR THIS PART. ALL McHale MAGNETIC SENS</i>			
5	CEL00164	POTENTIOMETER 991 LIFTARM	1
6	CEL00032	BEACON CW LOOM	1
7	CVA03000	VALVE BLOCK SLOW SPEED DANFOSS	1
8	CEL00113	LOOM EXT SOLENOID 3M	1

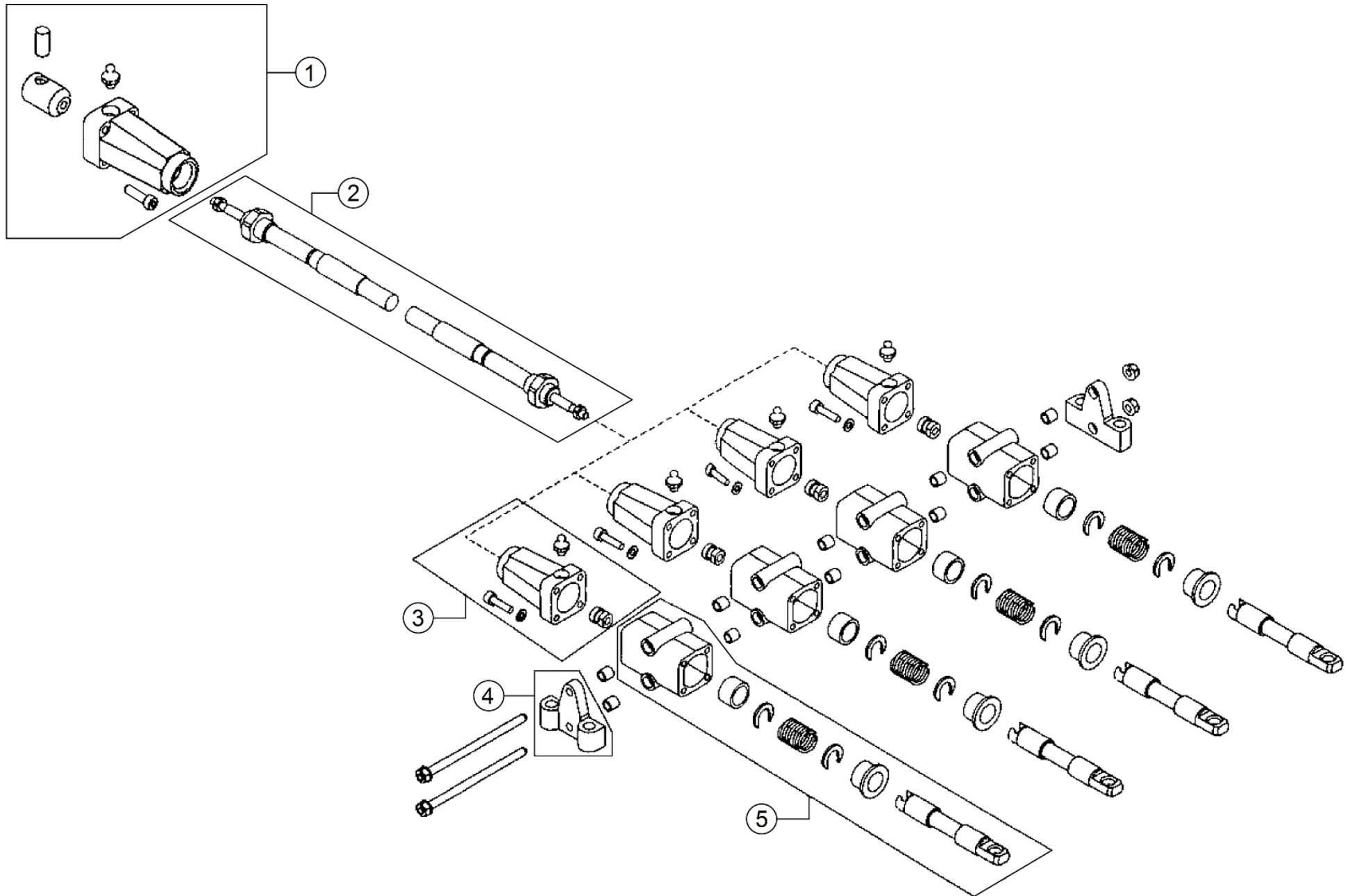
No.	Part No	Description	Qty
-----	---------	-------------	-----



No.	Part No	Description	Qty
1	CVA00161	VALVE CTL 4BANK 991BC KICK-OUT	1
2	CHY02002	ADAPTOR 318 BSP M-M	14
3	CHY00084	HOSE 318X930 FIST FIST	1
4	CHY00086	HOSE 318X510 FIST 90	1
5	CHY02097	T PIECE 318 M-M-F	1
6	CVA03007	VALVE RESTRICTOR 318	1
7	CHY02008	ADAPTOR 112 M 318 M	7
8	CHY00082	HOSE 318 X3210 FIST 90	4
9	CHY00085	HOSE 318X2540 FIST 90	1
10	CHY02098	ADAPTOR 318 BSP M-F	1
11	CHY00087	HOSE 318X1220 BANJO 90	1
12	CHY00083	HOSE 318X4000 FIST 90	1
13	CHY00089	HOSE 112X2400 M 90	1
14	CHY00088	HOSE 318 2500 FIST BANJO	1
15	CHYO20I5	QR 112 MALE PARKER 7814G4X4	2
16	CMT00002	MOTOR 250CC 4BOLT I 114TAPER	1
17	CVA00011	VALVE RELIEF CL OMSIOO&I3O BAR	1
18	CHY00098	ADAPTOR 318 BANJO BOLT	1
19	CVA02999	VALVE NON RET 112 O.5BAR	1
20	CHY02013	ADAPTOR 112 BSP MIM	1

No.	Part No	Description	Qty
-----	---------	-------------	-----

**Hydraulic valve cables 991BC (254)**

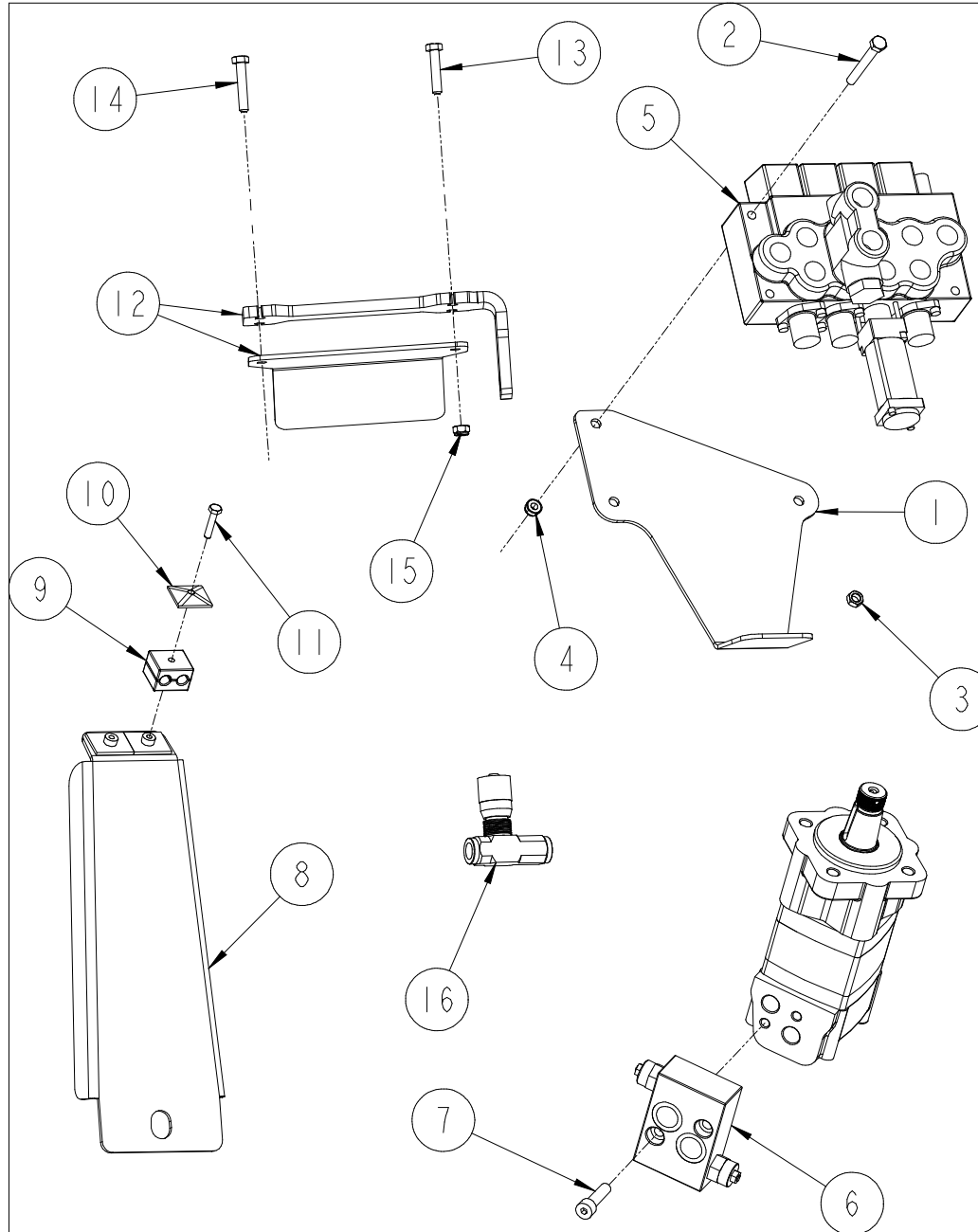




No.	Part No	Description	Qty
0	CVA00007	CABLE KIT COMPLETE 3M 4 BANK	1
<i>3.0M LONG (INCLUDES ITEMS 1 TO 5)</i>			
0	CVA00390	CABLE KIT COMPLETE 3.5M 4 BANK	1
<i>3.5M LONG (INCLUDES ITEMS 1 TO 5)</i>			
0	CVA00272	CABLE KIT COMPLETE 4M 4 BANK	1
<i>4.0M LONG (INCLUDES ITEMS 1 TO 5)</i>			
1	CVA00008	CABLE TO VALVE MODIFICATION KIT	4
2	CVA00017	CABLE 2.5M 4CAV70 2500	4
<i>2.5M LONG</i>			
2	CVA00014	CABLE 3M 4CVA70 3000	4
<i>3.0M LONG</i>			
2	CVA00016	CABLE 3.5M 4CVA60 3500	4
<i>3.5M LONG</i>			
2	CVA00285	CABLE 4M 4CVA70 4000	4
<i>4.0M LONG</i>			
2	CVA00015	CABLE 4.5M 4CAV70 4500	4
<i>4.5M LONG</i>			
3	CVA00006	CABLE TO REMOTE MODIFICATION KIT	4
4	CVA00041	CABLE REMOTE END CLAMP	2
5	CVA00042	CABLE REMOTE SPOOL C/W HOUSING	4

No.	Part No	Description	Qty
-----	---------	-------------	-----

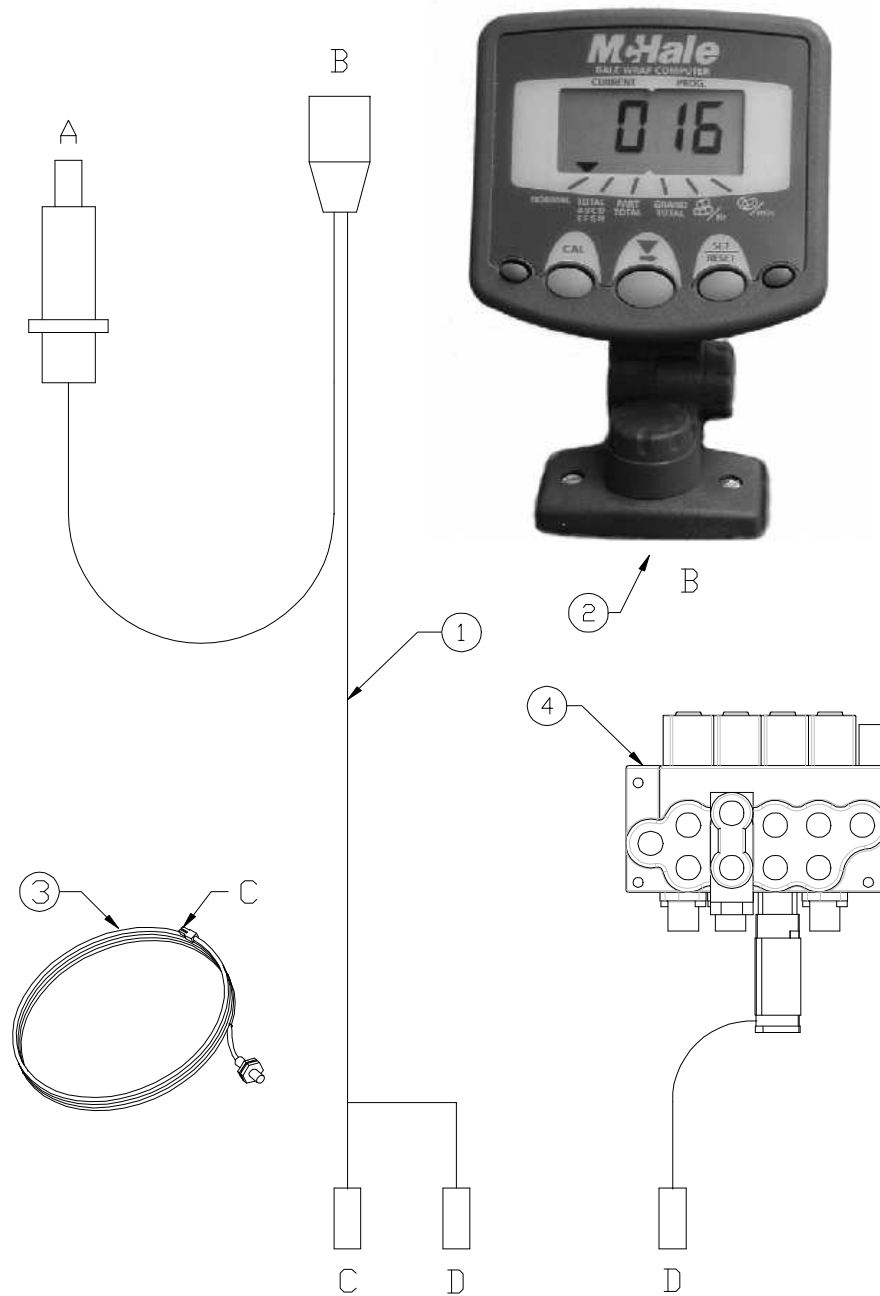
**Hydraulic components 991BC (255)**



No.	Part No	Description	Qty
1	CZD02298	4MM L VALVE GUARD 991 BC	1
2	CFA00342	SETSCREW M8X70 ZIP	3
3	CFA00133	NUTM8Z/P	3
4	CFA00132	NUT MB NYLOC ZIP	3
5	CVA00161	VALVE CTL 4BANK 991 BC KICK-OUT	1
6	CVA00011	VALVE RELIEF CL OMSIOO&I3OBAR	1
<i>PORT A TO BE FITTED CLOSEST TO MOTOR SHAFT END</i>			
7	CFA00179	BOLT M10 X 40 SOC CAP	2
8	ALA00048	CABLEHOLDERASSY991BC	1
9	CFA00187	HOSE CLAMP 10MM (2 PER SET)	2
10	CFA00189	HOSE CLAMP COVER PLATE 6-12	2
11	CFA00047	SETSCREW M6X30 ZIP	2
12	ACH00154	LEVER MOUNTING BRACKET	1
13	CFA00100	BOLTM8X4OZIP	2
14	CFA00106	BOLT M8X45 ZIP	2
15	CFA00132	NUT M8 NYLOC ZIP	4
16	CVA03007	VALVE RESTRICTOR 3/8	1

No.	Part No	Description	Qty
-----	---------	-------------	-----

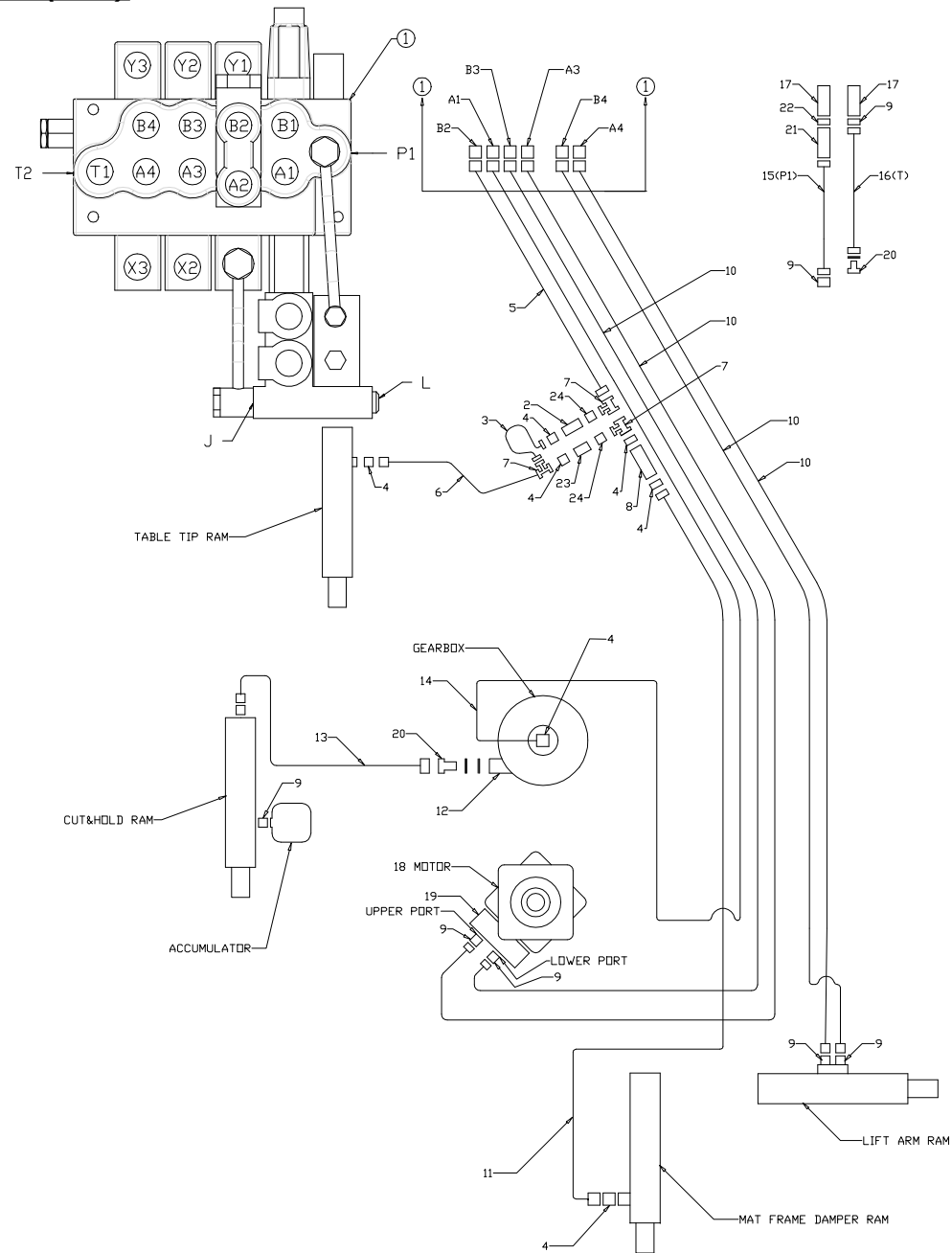
**Electrical 991BC (256)**



No.	Part No	Description	Qty
1	CEL00188	LOOM WIZZARD 991BC	1
2	CEL00174	CPTR WIZARD BWC	1
3	CEL00036	SENSOR CABLE 5M	1
4	CVA00161	VALVE CTL 4BANK 991BC KICK-OUT	1

No.	Part No	Description	Qty
-----	---------	-------------	-----

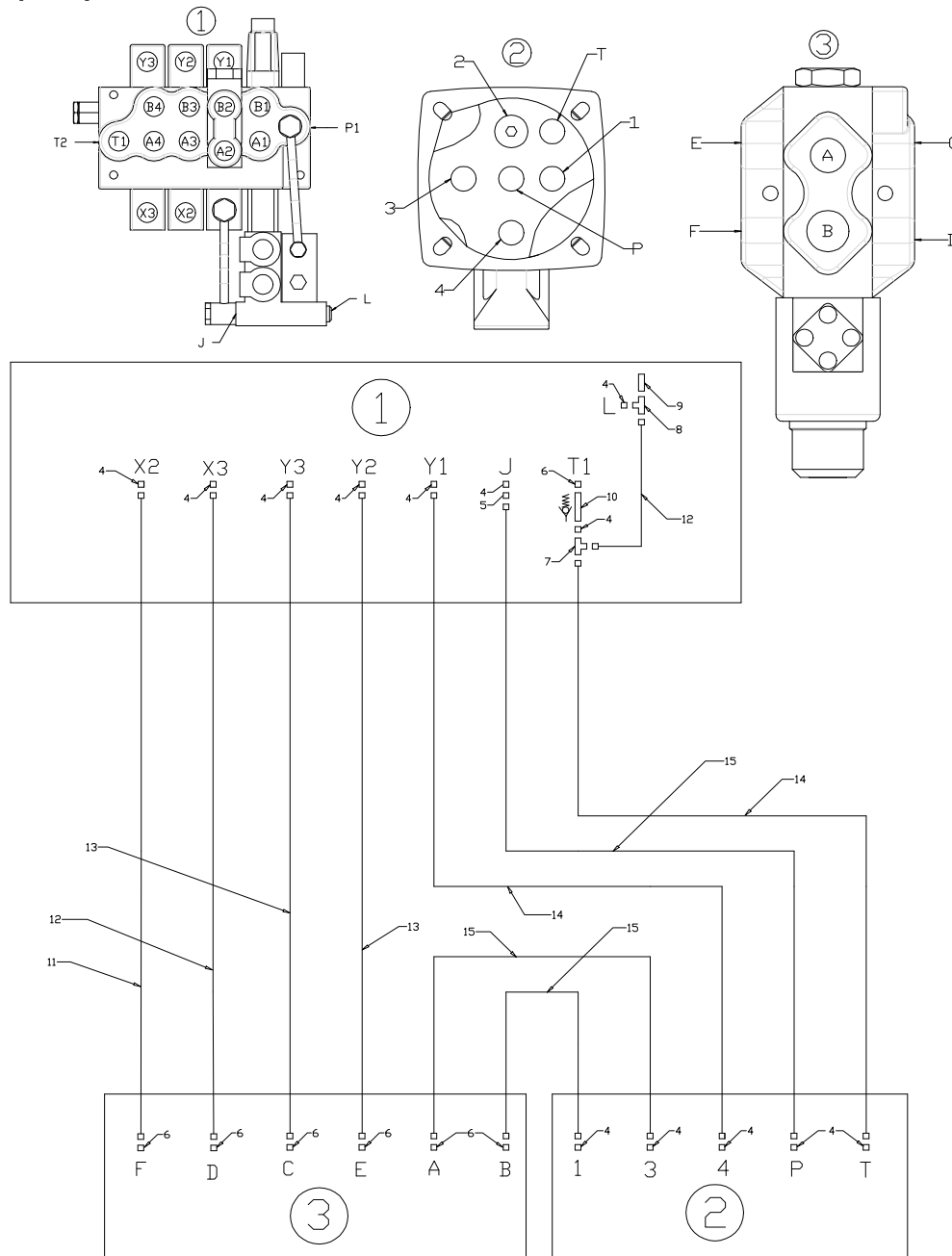
# Hydraulic assembly 991BJS (257)



No.	Part No	Description	Qty
1	CVA00066	VALVECTL4BANKBJSSERVO	1
2	CVA00098	VALVE NON RET 318 0.5 BAR	1
3	CHY02100	HOSE KIT TABLE TIP LOCK 991BJ5	1
4	CHY02002	ADAPTOR 318 BSP M-M	16
5	CHY00084	HOSE 318X930 FIST FIST	1
6	CHY00086	HOSE 318X510 FIST 90	1
7	CHY02097	T PIECE 318 M-M-F	3
8	CVA03007	VALVE RESTRICTOR 318	1
9	CHY02008	ADAPTOR 112 M 318 M	7
10	CHY00082	HOSE 318 X3210 FIST 90	4
11	CHY00085	H05E318X2540F15T90	1
12	CHY02098	ADAPTOR 318 BSP M-F	1
13	CHY00087	HOSE 318X1220 BANJO 90	1
14	CHY00083	HOSE 318X4000 FIST 90	1
15	CHY00089	HOSE 112X2400 M 90	1
16	CHY00088	HOSE 318X2500 FIST BANJO	1
17	CHY02015	QR 112 MALE PARKER 7814G4X4	2
18	CMT00002	MOTOR 250CC 4BOLT I 114TAPERE	1
19	CVA00011	VALVE RELIEF CL OMSIOO&I30BAR	1
20	CHY00098	ADAPTOR 318 BANJO BOLT	2
21	CVA02999	VALVE NON RET 112 O.5BAR	1
22	CHY02013	ADAPTOR 112 BSP MIM	1
23	CVA03100	VALVEONIOFF318BALLTYPE	1
24	CHY02098	ADAPTOR 318 BSP M-F	2

No.	Part No	Description	Qty
-----	---------	-------------	-----

# Hydraulic joystick 991BJS (258)

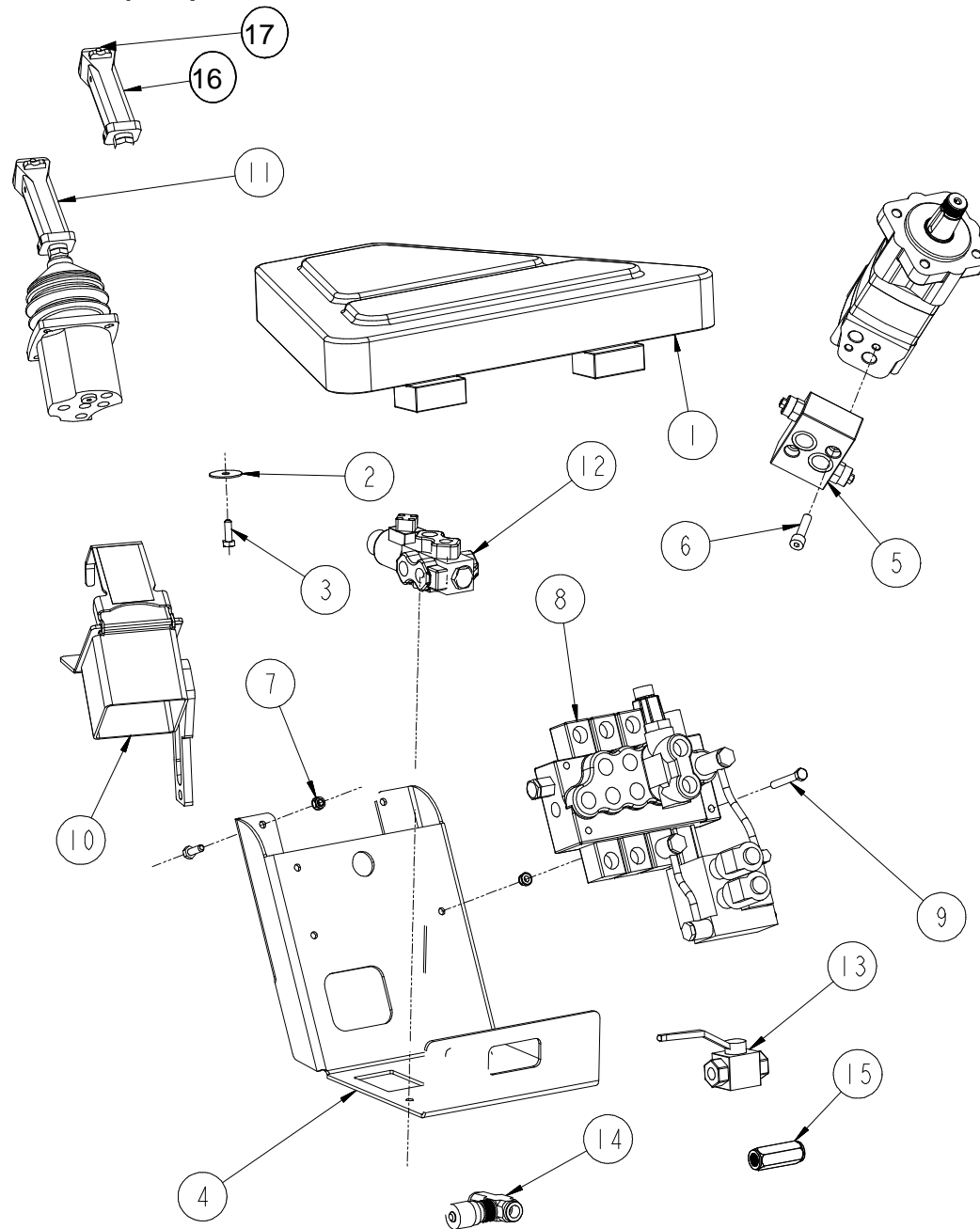




No.	Part No	Description	Qty
1	CVA00066	VALVECTL4BANKBJSSERVO	1
2	CVA00134	JOYSTICKHANDLESERVOSVM400	1
3	CVA00096	VALVE DIVERTER 318 6WAY 12V	1
4	CHY02010	ADAPTOR 114 BSP MIM	13
5	CHY02018	ADAPTOR 114 MIF 90DEG	1
6	CHY02032	ADAPTOR 114 M 318 M	7
7	CHY02086	T PIECE 114 F-M-M	1
8	CHY02101	T PIECE 114 M-F-M	1
9	CVA03009	VALVEDUMP60BAR	1
10	CVA03102	VALVE NON RET 114 0.5 BAR	1
11	CHY02093	114 250 F BSP O TO F BSP 900	1
12	CHY02091	114 350 F BSP O TO F BSP 900	2
13	CHY02094	114 450 F BSP O TO F BSP 900	2
14	CHY02089	114 4300 F BSP O TO F BSP O	2
15	CHY02090	114 4300 F BSP O TO F BSP 900	3

No.	Part No	Description	Qty
-----	---------	-------------	-----

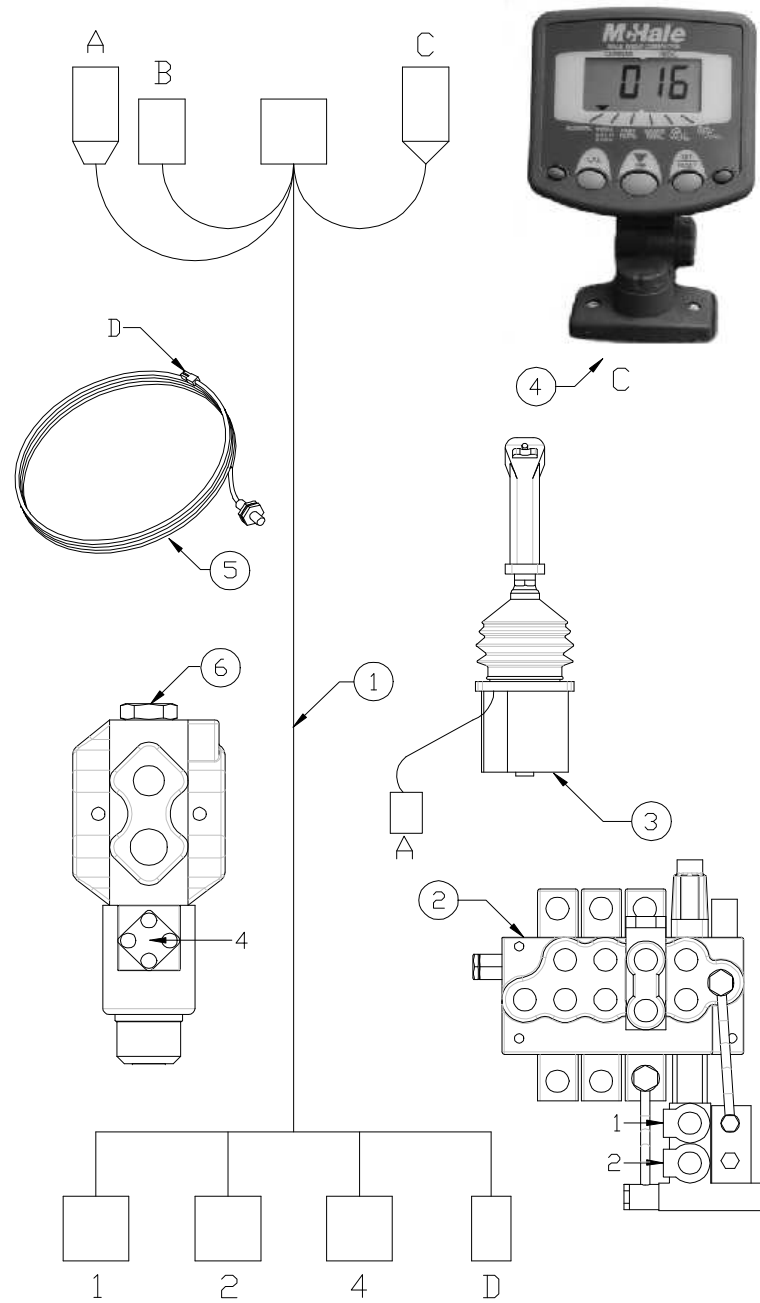
**Hydraulic components 991BJS (259)**



No.	Part No	Description	Qty
1	CPL00021	VALVE COVER 991 BE PLAS	1
2	CFA00149	WASHER MUDWING MB 38MM OD	1
3	CFA00407	BOLTM8X25ZIP	5
4	CZD00200	4MM L JOYSTICK CTRL VALVE BRKT	1
5	CVA00011	VALVE RELIEF CL OMSIOO&I3OBAR	1
6	CFA00179	BOLT M10 X 40 SOC CAP	2
7	CFA00132	NUT M8 NYLOC ZIP	7
8	CVA00066	VALVE CTL 4 BANK BJS SERVO	1
9	CFA00340	BOLTM8X6OZIP	3
10	ACH00347	JOYSTICK BJS MOUNTING ASY 2002	1
11	CVA00134	JOYSTICKHANDLESERVOSVM400	1
11	CVA00067	JOYSTICKHANDLESERVOSVOITYPE	1
<i>USE ON MACHINES PRE 2002</i>			
12	CVA00096	VALVE DIVERter 3/8 6WAY 12V	1
13	CVA03100	VALVE ON/OFF 3/8 BALL TYPE	1
14	CVA03007	VALVERESTRICTOR3/8	1
15	CVA00098	VALVE NON RET 3/8 0.5 BAR	1
16	CVA00271	JOYSTICKHANDLE	1
17	CEL00628	BUTTON FOR JOYSTICK HANDLE	1

No.	Part No	Description	Qty
-----	---------	-------------	-----

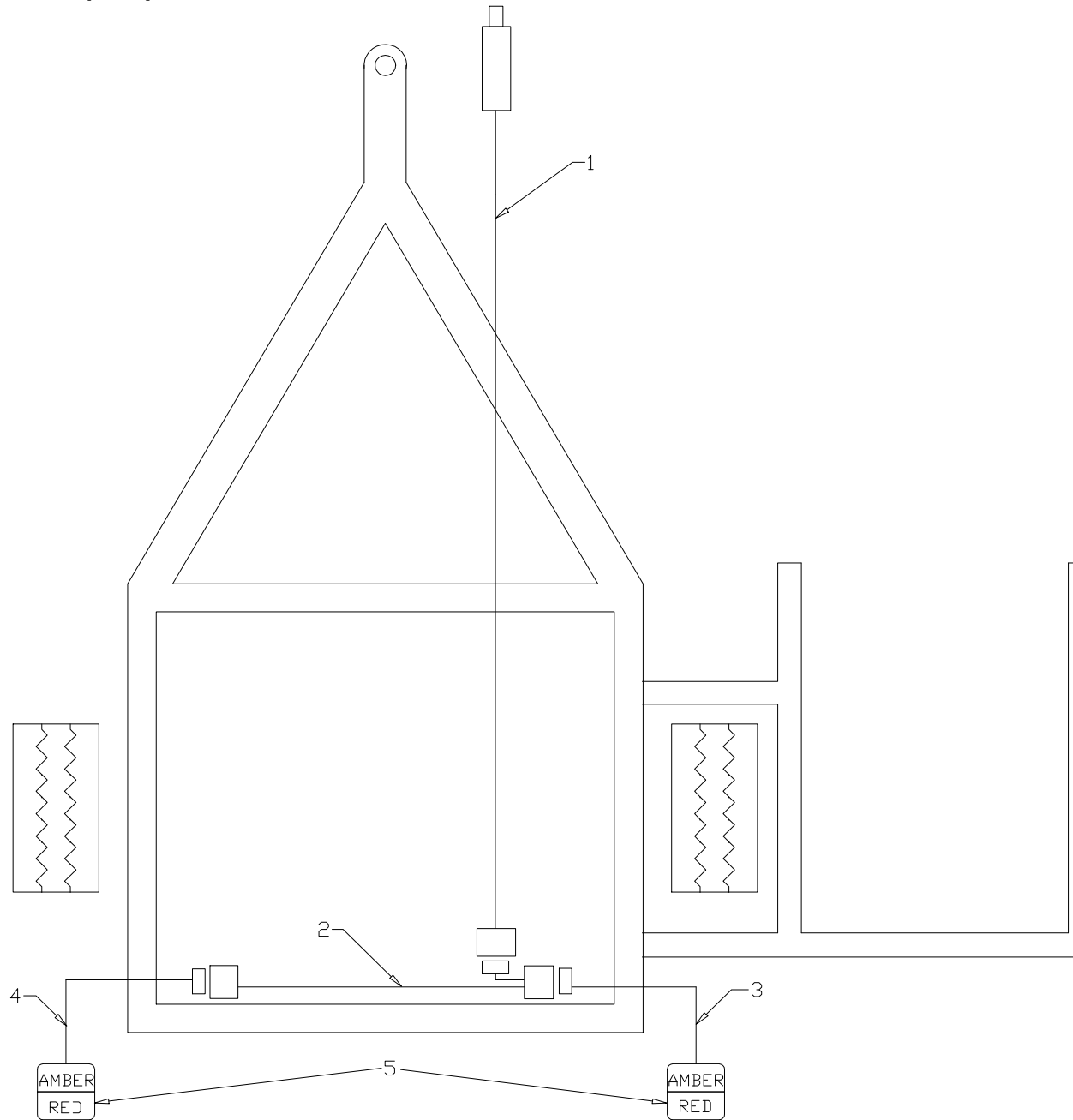
**Electrical 991BJS (260)**



No.	Part No	Description	Qty
1	CEL00175	LOOM991BJS2002MODEL+	1
<i>B CONNECTS TO TRACTOR POWER SUPPLY</i>			
2	CVA00066	VALVECTL4BANKBJSSERVO	1
3	CVA00134	JOYSTICKHANDLESERVOSVM400	1
3	CVA00067	JOYSTICK HANDLE SERVO SVOITYPE (PRE 2002)	1
<i>USE ON MACHINES PRE 2002</i>			
4	CEL00174	CPTR WIZARD BWC	1
5	CEL00036	SENSOR CABLE 5M	1
6	CVA00096	VALVE DIVERTER 318 6WAY 12V	1

No.	Part No	Description	Qty
-----	---------	-------------	-----

**Electrical lighting 991B (261)**

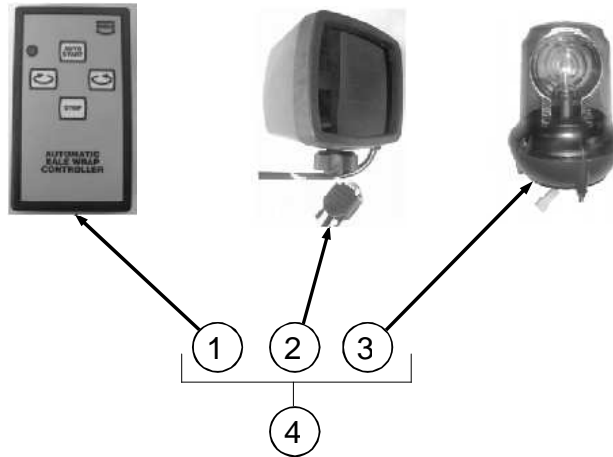


No.	Part No	Description	Qty
	CEL00024	LIGHTING KIT 99ITRAILED	1
1	CEL00069	LOOM LIGHTING KIT TRAILED	1
2	CEL00121	LOOM LIGHTS JOINER 991	1
3	CEL00067	LIGHT 991 TRAILED LIFTARM	1
4	CEL00068	LIGHT 991 TRAILED CHASSIS	1
5	CEL00120	LIGHTING REAR LENS TRAILED	2

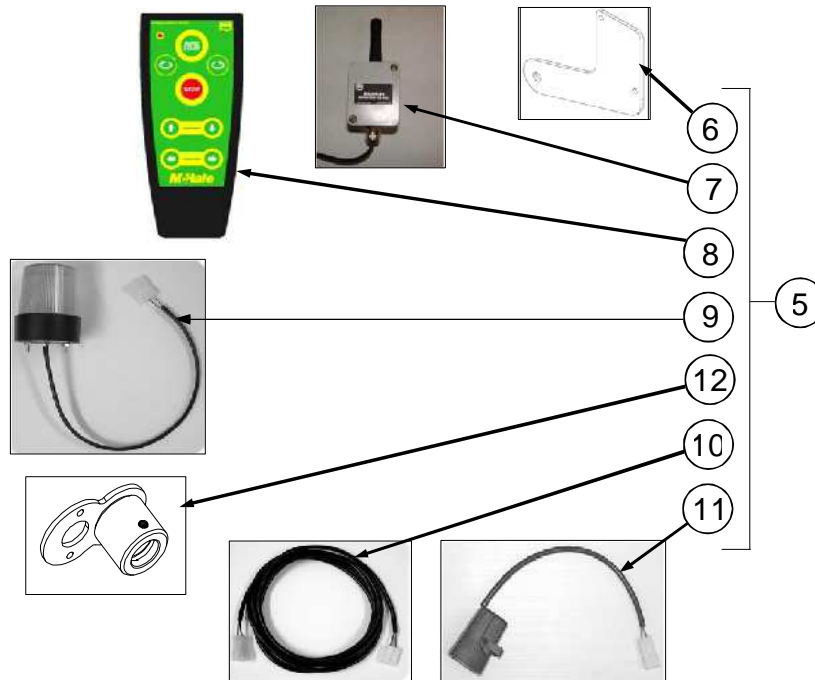
No.	Part No	Description	Qty
-----	---------	-------------	-----

**Remote control options (263)**

**REMOTE CONTROL INFRARED TYPE**



**REMOTE CONTROL RADIOCONTROL TYPE**





No.	Part No	Description	Qty
1	CEL00013	REMOTE HAND PIECE	1
2	CEL00012	REMOTE RECEIVER	1
3	CEL00032	BEACON CW LOOM	1
4	KST00007	KIT REMOTE & BEACON 991BE	1
5	KST00053	KIT RADIO REMOTE & BEACON 991BE	1
6	CZC04362	BRACKET REMOTE TRANSMITTER.	1
7	CEL00665	RECEIVER	1
8	CEL00664	HAND PIECE	1
9	CEL00292	BEACON XENON AMBER	1
10	CEL00293	EXTENSION BEACON 2.8M	1
11	CEL00220	WARNING BUZZER	1
12	ADP00160	BRACKET BEACON XENON	1

No.	Part No	Description	Qty
-----	---------	-------------	-----

# Decals (768)

**Decal 1:** DANGER. ATTENTION - ELEMENTS ROTATING. DANGER PAR suite de rotation de corps enroulés. ELONGEMENT TOUTE PERSONNE DE LA ZONE DANGEREUSE. WARNING ROTATING ELEMENTS. DANGER END TO PROJECTION OF FOREIGN OBJECTS. KEEP ALL PERSONS AWAY FROM THE DANGER AREA. ¡ATENCIÓN! ELEMENTOS ROTATORIOS. PELIGRO DUEDO A LA PROYECCION DE CUERPOS EXTRANJOS. MANTÉN A TODA PERSONA DE LA ZONA PELIGROSA.

**Decal 2:** Safety warning: NEVER REMOVE ANY IDENTIFICATION LABELS. NEVER REMOVE ANY IDENTIFICATION LABELS. NEVER REMOVE ANY IDENTIFICATION LABELS.

**Decal 3:** 1200 x 1200

**Decal 4:** Safety warning: NEVER REMOVE ANY IDENTIFICATION LABELS.

**Decal 5:** Safety warning: NEVER REMOVE ANY IDENTIFICATION LABELS.

**Decal 6:** Safety warning: NEVER REMOVE ANY IDENTIFICATION LABELS.

**Decal 7:** Safety warning: NEVER REMOVE ANY IDENTIFICATION LABELS.

**Decal 8:** Safety warning: NEVER REMOVE ANY IDENTIFICATION LABELS.

**Decal 9:** McHale logo.

**Decal 10:** Safety warning: NEVER REMOVE ANY IDENTIFICATION LABELS.

**Decal 11:** Safety warning: NEVER REMOVE ANY IDENTIFICATION LABELS. 30 R.P.M. MAX.

**Decal 12:** Safety warning: NEVER REMOVE ANY IDENTIFICATION LABELS. CBT0008.

**Decal 13:** Safety warning: NEVER REMOVE ANY IDENTIFICATION LABELS.

**Decal 14:** Safety warning: NEVER REMOVE ANY IDENTIFICATION LABELS.

**Decal 15:** Safety warning: NEVER REMOVE ANY IDENTIFICATION LABELS.

**Decal 16:** 50 P.S.I. 3.4 BAR. MCH-008.

**Decal 17:** Safety warning: NEVER REMOVE ANY IDENTIFICATION LABELS.

**Decal 18:** Safety warning: NEVER REMOVE ANY IDENTIFICATION LABELS.

**Decal 19:** McHale logo.

**Company Information:**  
 Tel: 353 93-33326 / 33370  
 Fax: 353 93-33520  
 Email: mchale@tel.ie  
 Web: www.mchale.net  
 McHale Engineering Limited, Kilmaine, Co. Mayo, Ireland

**CE Marking:**  
 TYPE 991B  
 S/N  
 YEAR OF MANUFACTURE 200

No.	Part No	Description	Qty
1	CST00014	DECAL WARNING!ROTATING ELEMENT	1
2	CST00006	DECAL FREEFLOW RET TO TANK	1
3	CST00062	DECAL DISPENSER HEIGHT 991	1
4	CST00017	DECAL ROTATING ELEMENTS 214	1
5	CST00049	DECAL DISPENSER THREADING 991	1
6	CST00063	DECAL BALE DAMPER/LIGHTS	1
7	CST00026	DECAL HAND ENTRAPMENT MCH-019	1
8	CST00061	DECAL BALE DAMPER DROP SPEED	1
9	CST00032	DECAL LIFTING HOOK	4
10	CST00057	DECAL READ MANUAL F9	1
11	CST00031	DECAL TABLE SPEED 30 RPM	1
12	CST00056	DECAL ACCUMULATOR WARNING	1
13	CST00019	DECAL CRUSHED HAND MCH-005	1
14	CST00028	DECAL STAY CLEAR OF TABLE	2
15	CST00048	DECAL BALE DAMPER CRUSH AREA	1
16	CST00050	DECAL BALE DAMPER SKID OBSOLETE	1
17	CST00058	DECAL TYRE PRESSURE 50 PSI	2
18	CST00020	DECAL CHECK WHEEL NUTS MCH-003	2
19	CST00059	DECAL TABLE SUPPORT BAR	1

No.	Part No	Description	Qty
-----	---------	-------------	-----